

E22005

First Edition / August 2023

IN SEARCH OF INCREDIBLE



Service Manual

ASUS

COPYRIGHT INFORMATION

No part of this manual, including the products and software described in it, may be reproduced, transmitted, transcribed, stored in a retrieval system, or translated into any language in any form or by any means, except documentation kept by the purchaser for backup purposes, without the express written permission of ASUSTeK COMPUTER INC. ("ASUS").

ASUS PROVIDES THIS MANUAL "AS IS" WITHOUT WARRANTY OF ANY KIND, EITHER EXPRESS OR IMPLIED, INCLUDING BUT NOT LIMITED TO THE IMPLIED WARRANTIES OR CONDITIONS OF MERCHANTABILITY OR FITNESS FOR A PARTICULAR PURPOSE. IN NO EVENT SHALL ASUS, ITS DIRECTORS, OFFICERS, EMPLOYEES OR AGENTS BE LIABLE FOR ANY INDIRECT, SPECIAL, INCIDENTAL, OR CONSEQUENTIAL DAMAGES (INCLUDING DAMAGES FOR LOSS OF PROFITS, LOSS OF BUSINESS, LOSS OF USE OR DATA, INTERRUPTION OF BUSINESS AND THE LIKE), EVEN IF ASUS HAS BEEN ADVISED OF THE POSSIBILITY OF SUCH DAMAGES ARISING FROM ANY DEFECT OR ERROR IN THIS MANUAL OR PRODUCT.

Products and corporate names appearing in this manual may or may not be registered trademarks or copyrights of their respective companies, and are used only for identification or explanation and to the owners' benefit, without intent to infringe.

SPECIFICATIONS AND INFORMATION CONTAINED IN THIS MANUAL ARE FURNISHED FOR INFORMATIONAL USE ONLY, AND ARE SUBJECT TO CHANGE AT ANY TIME WITHOUT NOTICE, AND SHOULD NOT BE CONSTRUED AS A COMMITMENT BY ASUS. ASUS ASSUMES NO RESPONSIBILITY OR LIABILITY FOR ANY ERRORS OR INACCURACIES THAT MAY APPEAR IN THIS MANUAL, INCLUDING THE PRODUCTS AND SOFTWARE DESCRIBED IN IT.

Copyright © 2023 ASUSTeK COMPUTER INC. All Rights Reserved.

LIMITATION OF LIABILITY

Circumstances may arise where because of a default on ASUS' part or other liability, you are entitled to recover damages from ASUS. In each such instance, regardless of the basis on which you are entitled to claim damages from ASUS, ASUS is liable for no more than damages for bodily injury (including death) and damage to real property and tangible personal property; or any other actual and direct damages resulted from omission or failure of performing legal duties under this Warranty Statement, up to the listed contract price of each product.

ASUS will only be responsible for or indemnify you for loss, damages or claims based in contract, tort or infringement under this Warranty Statement.

This limit also applies to ASUS' suppliers and its reseller. It is the maximum for which ASUS, its suppliers, and your reseller are collectively responsible.

UNDER NO CIRCUMSTANCES IS ASUS LIABLE FOR ANY OF THE FOLLOWING: (1) THIRD-PARTY CLAIMS AGAINST YOU FOR DAMAGES; (2) LOSS OF, OR DAMAGE TO, YOUR RECORDS OR DATA; OR (3) SPECIAL, INCIDENTAL, OR INDIRECT DAMAGES OR FOR ANY ECONOMIC CONSEQUENTIAL DAMAGES (INCLUDING LOST PROFITS OR SAVINGS), EVEN IF ASUS, ITS SUPPLIERS OR YOUR RESELLER IS INFORMED OF THEIR POSSIBILITY.

SERVICE AND SUPPORT

Visit our multi-language website at <https://www.asus.com/support/>.

Table of Contents

Chapter 1: Introduction

Disclaimer	6
Safety precautions.....	6
Pre-repair checklist	8
Diagnostics tool	9
Installation tools.....	9
Major components.....	10

Chapter 2: Service Procedures

Bottom cover	14
Removal	14
Installation	16
Memory module(s).....	19
Removal	20
Installation	21
HDD or SSD	22
Removal	22
Installation	24
M.2 SSD on the bottom cover	26
Removal	27
Installation	28
M.2 SSD in the chassis.....	30
Removal	31
Installation	32
Wireless card.....	35
Removal	35
Installation	37

FPC	38
Removal	38
Installation	39
Configurable port module	41
Removal	41
Installation	43
HDD/SSD PCB.....	44
Removal	44
Installation	45
Fan module	46
Removal	46
Installation	48
Heatsink	49
Removal	50
Installation	51
Motherboard	52
Removal	52
Installation	53
CMOS battery.....	54
Removal	55
Installation	56
Audio card.....	58
Removal	59
Installation	60
Chassis	61
Removal	61
Installation	62

Chapter 1: ***Introduction***

Disclaimer

ASUS is not responsible for direct, indirect, intentional or unintentional damages resulting from improper installation and operation.

Safety precautions

- Before handling components, use a grounded wrist strap or touch a safely grounded object to avoid damaging them due to static electricity.
- Keep liquids or moisture away from your Mini PC to avoid short circuits.
- Remove rings, watches, and any other metal objects from your hands.
- Hold components by the edges to avoid touching the ICs.
- Properly install all components before connecting the AC power.
- Do not use power adapters or batteries from other devices to reduce the risk of injury to persons due to fire or explosion. Use only certified power adapters or batteries supplied by the manufacturer or authorized retailers.
- Detach all clips or flaps before removing cables to prevent damage.

- Disconnect cables, connectors, and power plugs by pulling the plug evenly to avoid damage.
- Use screws with the correct specifications on your Mini PC to prevent damage.
- Confirm that the cable orientation is correct before connecting any cables.
- Photograph the appearance of cables, cable routing, connectors, and screws for later reference before proceeding with each step.

Pre-repair checklist

1. Read the entire manual before starting any service procedures and follow all instructions.
2. Back up your Mini PC.
3. Turn off your Mini PC.
4. Place your Mini PC on a stable surface.
5. Disconnect all connected peripherals and cables.

IMPORTANT!

- Purchase replacement components from an authorized retailer of this Mini PC to ensure maximum compatibility and reliability.
- Refer to <https://www.asus.com> for a list of compatible components.

NOTE:

- The illustrations are for reference only.
 - The procedures described in this manual may vary depending on the model configuration and may not reflect the entire servicing process. To service components that are not covered in this manual, please visit an authorized service center for assistance.
 - Keep all adhesive tape, insulating materials, screws, and other removable items in a safe place until the service procedure is completed, as they may be needed during installation.
-

Diagnostics tool

Run system diagnosis in MyASUS after replacing any components to ensure that all components are working properly.

For more information, visit <https://www.asus.com/support/myasus-deeplink/>.

Installation tools



Screwdriver

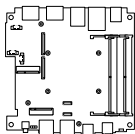


Plastic blade



Tweezers

Major components



Motherboard



HDD / SSD



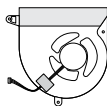
Memory Module



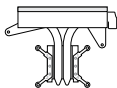
M.2 SSD module



Wireless card



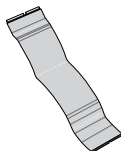
Fan module



Heatsink



Battery



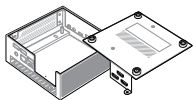
FPC



**Configurable port
module**



HDD/SSD PCB



Chassis



**Power adapter
and cord**

Chapter 2: ***Service Procedures***

Bottom cover

Before you begin

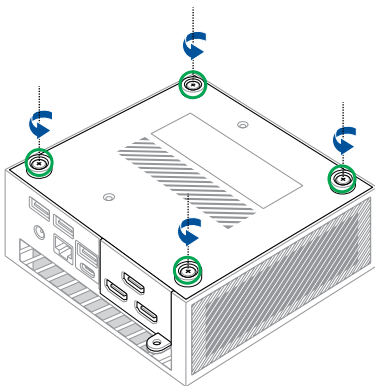
Read the **Safety Precautions** and complete the **Pre-repair Checklist**.

Screw list

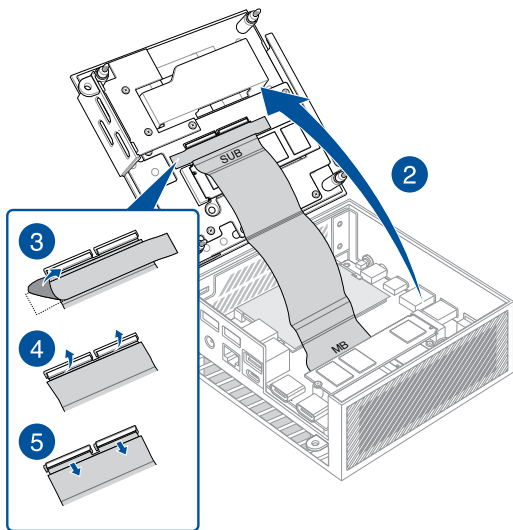
- ⊕ M3 X 5.2L captive (4 pcs)

Removal

1. Loosen the screw(s) from the Mini PC's bottom cover.



2. Slowly and with extreme care, lift the bottom cover in the direction shown in the illustration.
3. Carefully remove the acetate cloth tape holding the flexible printed circuit (FPC) in place.
4. Flip the connector flap open.
5. Remove the FPC.



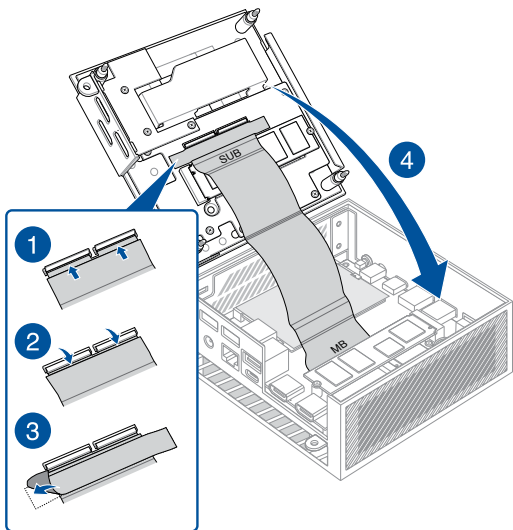
Installation

1. Insert the end of the FPC marked **SUB** into the connectors.

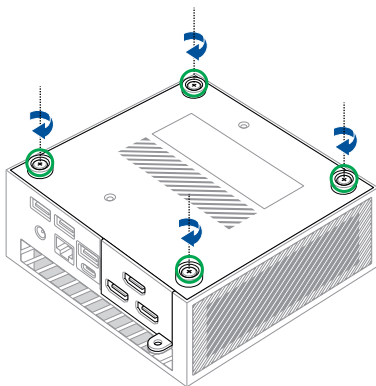
WARNING!

- Ensure the PCB gold fingers on the cable are facing the connectors.
 - Inserting the wrong end of the FPC into the connectors will cause damage to the golden fingers, motherboard, and SSD interface board.
-

2. Close the flap to secure the FPC.
3. Use the acetate cloth tape removed earlier to hold the FPC in place as shown.
4. Close the bottom cover.



5. Tighten the screws on the bottom cover to secure it in place.



Memory module(s)

IMPORTANT! You can only install DDR5 SO-DIMMs to the Mini PC's DIMM slots.

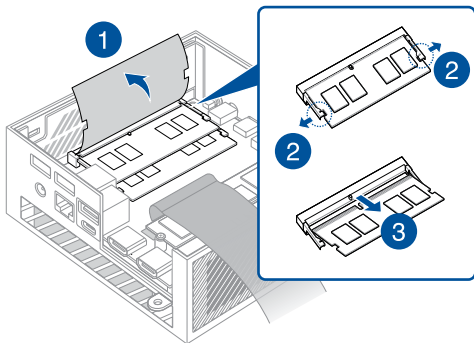
NOTE: We recommend that you install the memory module(s) under professional supervision. You may also visit an authorized service center for further assistance.

Before you begin

1. Read the **Safety Precautions** and complete the **Pre-repair Checklist**.
2. Remove the following component(s):
 - Bottom cover

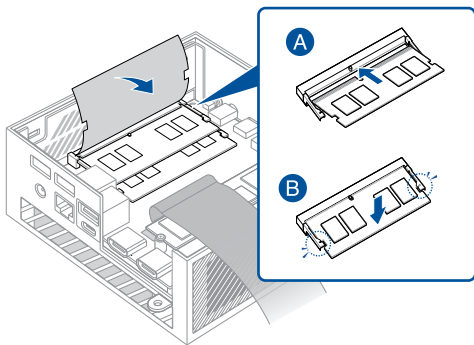
Removal

1. Flip the shielding foil to expose the memory slot(s)
2. Simultaneously press the two retaining clips outward.
3. Remove the module from the slot.
4. Repeat the same steps to remove the other module.



Installation

1. Align and insert the new memory module into the slot (A), and press down (B) until it is securely seated in place.



2. Repeat the same steps to install a second memory module.
3. Install the component(s) you removed in **Before you begin**.

HDD or SSD

Before you begin

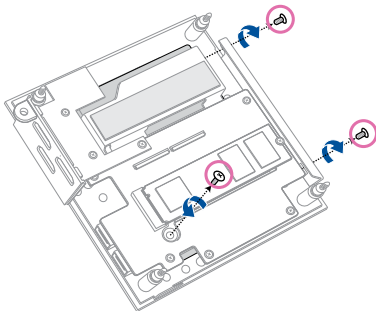
1. Read the **Safety Precautions** and complete the **Pre-repair Checklist**.
2. Remove the following component(s):
Bottom cover

Screw list

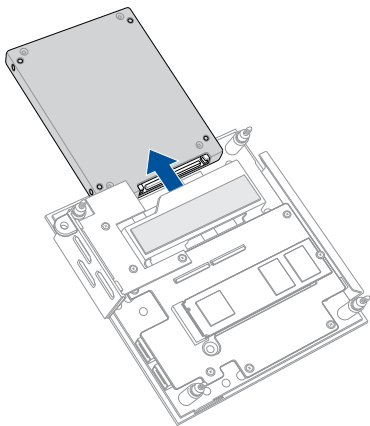
- ⊕ M3 X 4L (3 pcs)

Removal

1. Remove the screw(s) securing the HDD or SSD in place.



2. Remove the HDD or SSD.

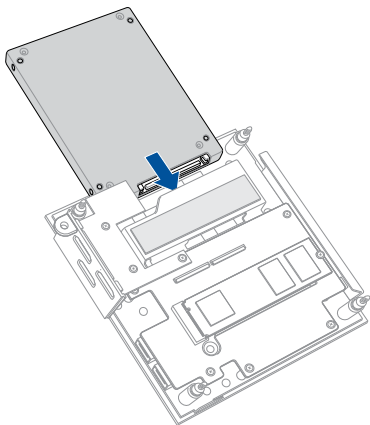


Installation

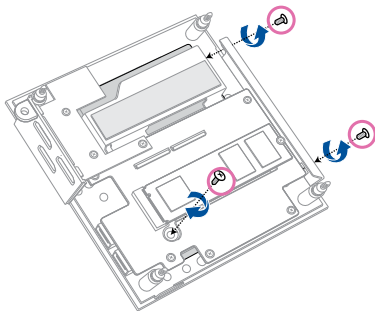
1. Align the HDD or SSD with the storage bay on the bottom cover of your Mini PC.

IMPORTANT! This device only supports 7mm 2.5" HDD or SSD.

2. Insert the HDD or SSD into the storage bay.



3. Secure the HDD or SSD with the screw(s) you removed earlier.



4. Install the component(s) you removed in **Before you begin**.

M.2 SSD on the bottom cover

NOTE: We recommend that you install the M.2 SSD under professional supervision. You may also visit an authorized service center for assistance.

Before you begin

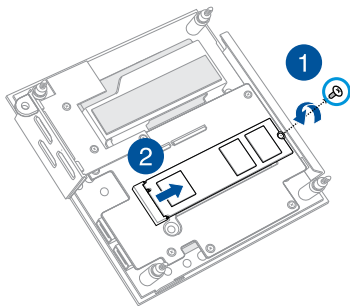
1. Read the **Safety Precautions** and complete the **Pre-repair Checklist**.
2. Remove the following component(s):
Bottom cover

Screw list

- ⊕ M2 X 2.5L (1 pcs)

Removal

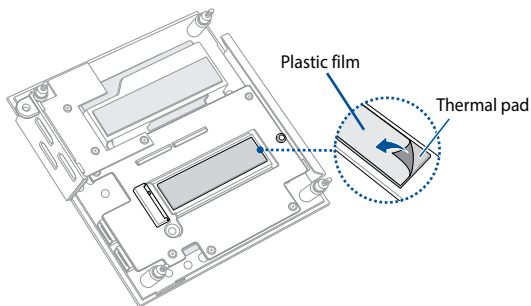
1. Remove the screw from the standoff.
2. Remove the M.2 SSD from the bottom cover.



Installation

NOTE: Refer to <https://www.asus.com> for a list of compatible M.2 SSD.

1. Remove the plastic film on the thermal pad, if one exists.



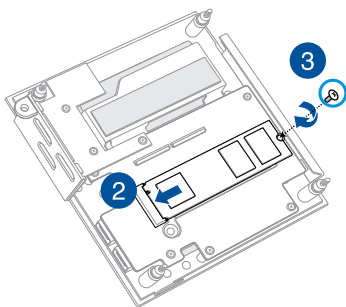
NOTE:

- The specifications for the thermal pad used in this Mini PC are as follows:

Thickness:	1.25 mm
Size:	60 mm x 15.5 mm
Thermal conductivity:	> 1.2 W/mK
Hardness:	< 30
 - To replace the thermal pad yourself, check with an ASUS Service Partner near you (www.asus.com/support) for the availability of replacement thermal pads.
 - The availability of replacement parts may vary depending on the country.
-

WARNING! Heat dissipation performance may still vary even when you have replaced the thermal pad with one that meets the specifications provided. To prevent potential damage to the M.2 SSD, you should have the thermal pad replaced by a service center near you.

2. Align and insert the M.2 SSD into its slot on the bottom cover.
3. Gently push down the M.2 SSD on top of the standoff, and secure it using the screw removed earlier.



4. Install the component(s) you removed in **Before you begin**.

M.2 SSD in the chassis

Before you begin

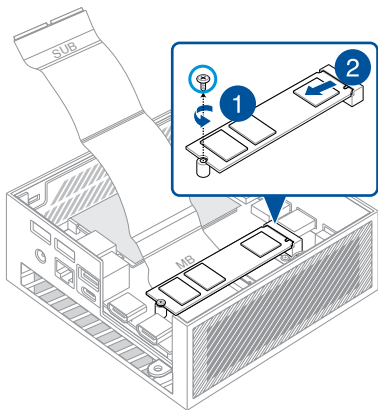
1. Read the **Safety Precautions** and complete the **Pre-repair Checklist**.
2. Remove the following component(s):
Bottom cover

Screw list

- ⊕ M2 X 2.5L (1 pcs)

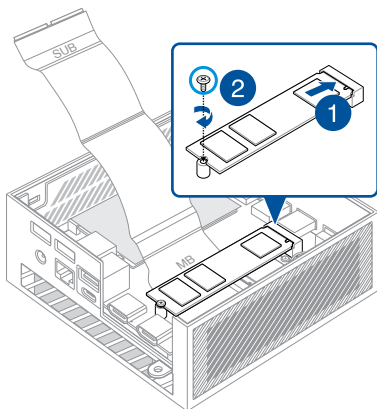
Removal

1. Remove the screw from the standoff.
2. Remove the M.2 SSD from the chassis.

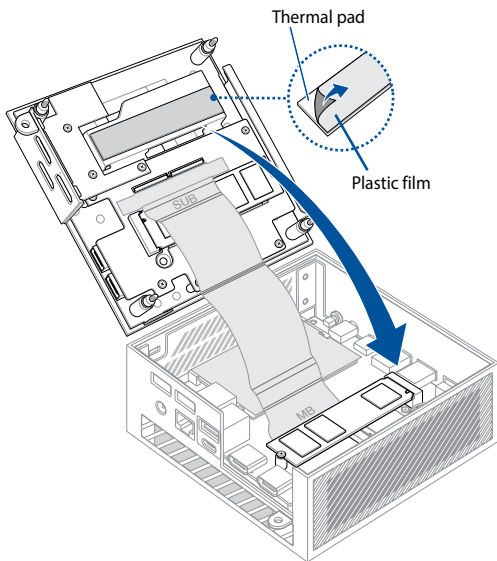


Installation

1. Align and insert the M.2 SSD.
2. Gently push down the M.2 SSD on top of the standoff, and secure it using the screw removed earlier.



3. Before replacing the bottom cover, ensure to remove the plastic film on the thermal pad, if one exists.



4. Install the component(s) you removed in **Before you begin**.

NOTE:

- The specifications for the thermal pad used in this Mini PC are as follows:

Thickness:	2.0 mm
Size:	66 mm x 20 mm
Thermal conductivity:	> 1.2 W/mK
Hardness:	< 30

- To replace the thermal pad yourself, check with an ASUS Service Partner near you (www.asus.com/support) for the availability of replacement thermal pads.
 - The availability of replacement parts may vary depending on the country.
-

WARNING! Heat dissipation performance may still vary even when you have replaced the thermal pad with one that meets the specifications provided. To prevent potential damage to the M.2 SSD, you should have the thermal pad replaced by a service center near you.

Wireless card

Before you begin

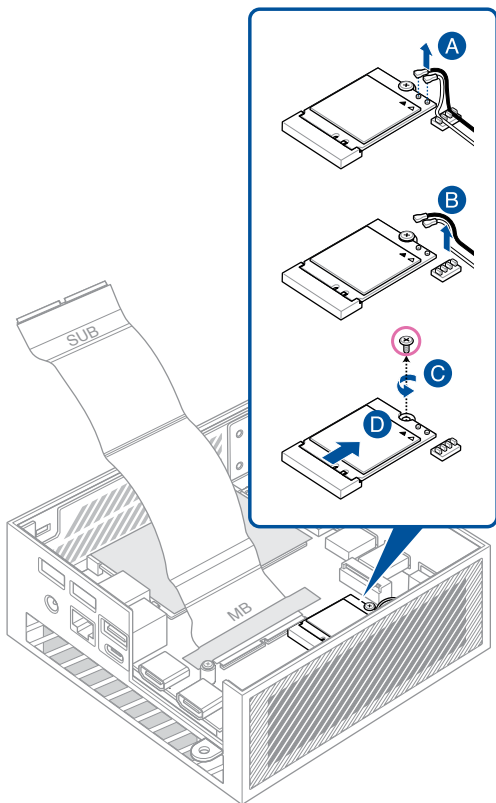
1. Read the **Safety Precautions** and complete the **Pre-repair Checklist**.
2. Remove the following component(s):
 - Bottom cover
 - M.2 SSD in the chassis (if one is installed)

Screw list

- ☉ M2 X 2.4L (1 pcs)

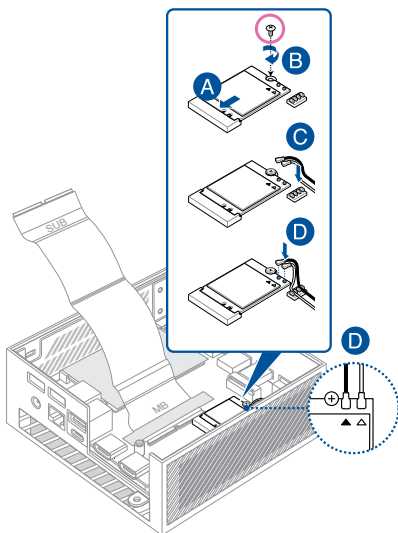
Removal

Remove the wireless card as shown.



Installation

1. Install the wireless card as shown.



NOTE:

- Connect the black antenna cable to the wireless card connector marked with a black triangle ▲, and connect the white antenna cable to the one marked with a white triangle △.
 - Connecting antennas to your wireless card may strengthen the wireless signal.
 - A soft clicking sound indicates that the antenna has been securely attached to the wireless card.
-

2. Install the component(s) you removed in **Before you begin**.
-

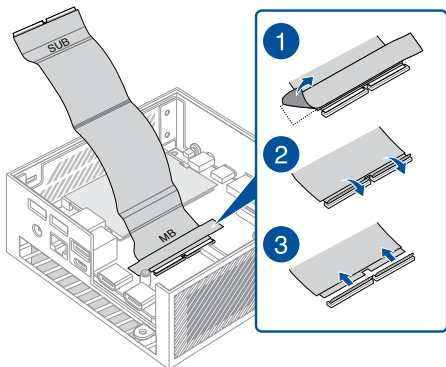
FPC

Before you begin

1. Read the **Safety Precautions** and complete the **Pre-repair Checklist**.
2. Remove the following component(s):
 - Bottom cover
 - M.2 SSD in the chassis (if one is installed)

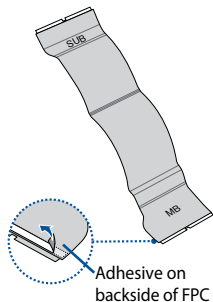
Removal

1. Gently remove the acetate cloth tape holding the FPC in place.
2. Flip the connector flaps open.
3. Remove the FPC.

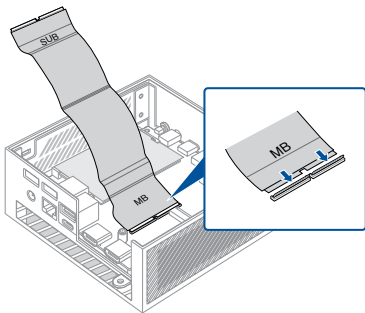


Installation

1. (Optional) If you are installing a new FPC, remove the release liner from the adhesive tape on the end of the FPC marked **MB**.



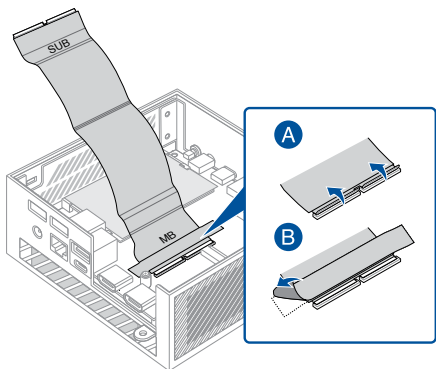
2. Insert the end of the FPC marked **MB** into the connectors on the motherboard.



WARNING!

- Ensure the PCB gold fingers on the cable are facing the connectors.
 - Inserting the wrong end of the FPC into the connectors will cause damage to the golden fingers, motherboard, and SSD interface board.
-

3. Close the flaps to secure the FPC (A), and use the acetate cloth tape removed earlier to hold the FPC in place as shown (B).



4. Install the component(s) you removed in **Before you begin**.

Configurable port module

Before you begin

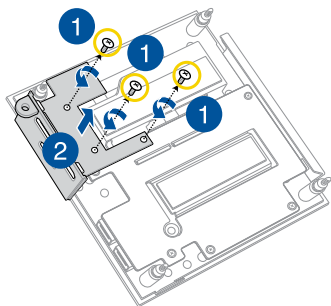
1. Read the **Safety Precautions** and complete the **Pre-repair Checklist**.
2. Remove the following component(s):
Bottom cover

Screw list

- ⊕ M2 X 3L (3 pcs)

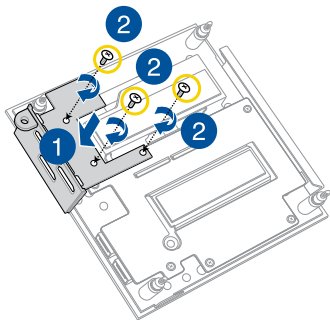
Removal

1. Remove the screw(s) securing the configurable port module in place.
2. Remove the configurable port module.



Installation

1. Align and place the configurable port module on the bottom cover as shown.
2. Secure the configurable port module with the screw(s) you removed earlier.



3. Install the component(s) you removed in **Before you begin**.

HDD/SSD PCB

Before you begin

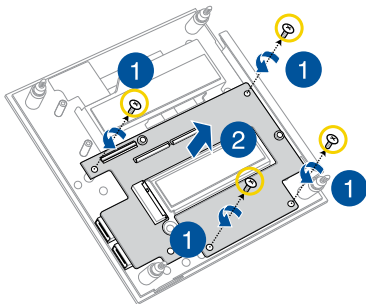
1. Read the **Safety Precautions** and complete the **Pre-repair Checklist**.
2. Remove the following component(s):
 - Bottom cover

Screw list

- ⊕ M2 X 3L (4 pcs)

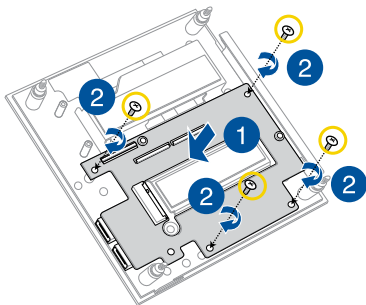
Removal

1. Remove the screw(s) securing the HDD/SSD PCB in place.
2. Remove the HDD/SSD PCB.



Installation

1. Align and place the HDD/SSD PCB on the bottom cover as shown.
2. Secure the HDD/SSD PCB with the screw(s) you removed earlier.



3. Install the component(s) you removed in **Before you begin**.

Fan module

Before you begin

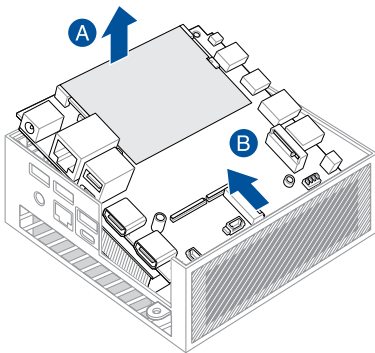
1. Read the **Safety Precautions** and complete the **Pre-repair Checklist**.
2. Remove the following component(s):
 - Bottom cover
 - FPC

Screw list

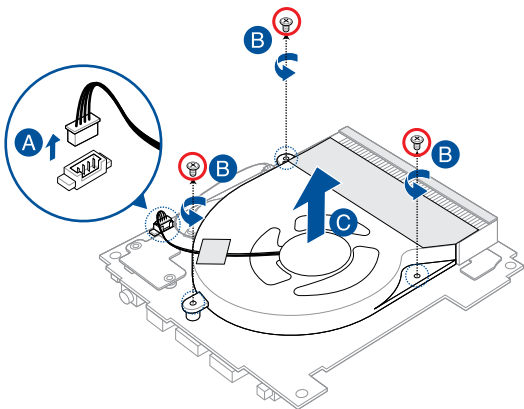
- ⊕ M2 X 6L (3 pcs)

Removal

1. Remove the motherboard as shown.

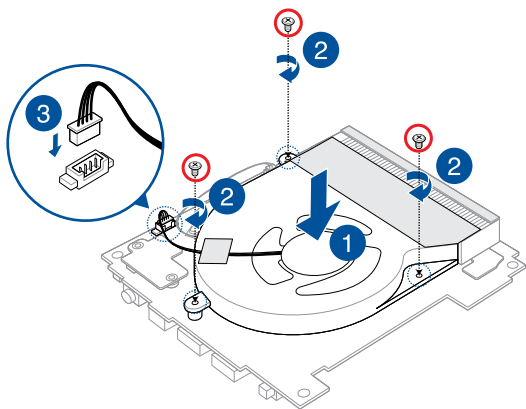


2. Place the motherboard face down.
3. Disconnect the fan connector (A), remove the screw(s) securing the fan module (B), and then remove the fan module (C).



Installation

1. Align and place the fan module as shown.
2. Secure the fan module using the screw(s) removed earlier.
3. Connect the cable from the fan module to the fan connector on the motherboard.



4. Install the component(s) you removed in **Before you begin**.

Heatsink

Before you begin

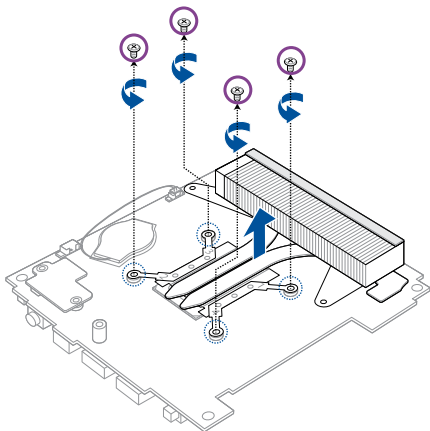
1. Read the **Safety Precautions** and complete the **Pre-repair Checklist**.
2. Remove the following component(s):
 - Bottom cover
 - FPC
 - Fan module

Screw list

- ⊕ M2.5 X 3.5L (4 pcs)

Removal

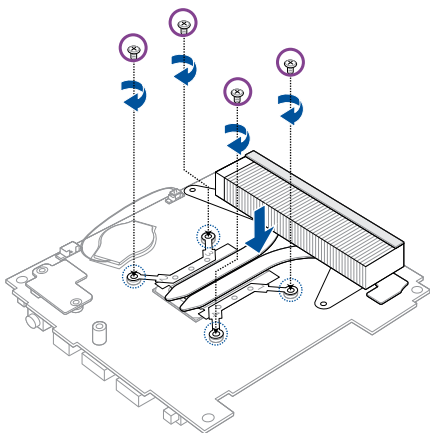
1. Remove the screw(s) securing the heatsink.



2. Remove the heatsink.

Installation

1. Align and place the heatsink as shown, and secure it using the screw(s) removed earlier.



2. Install the component(s) you removed in **Before you begin**.

Motherboard

Before you begin

Read the **Safety Precautions** and complete the **Pre-repair Checklist**.

NOTE: It is recommended that you replace the motherboard under professional supervision. You may also visit an authorized service center for further assistance.

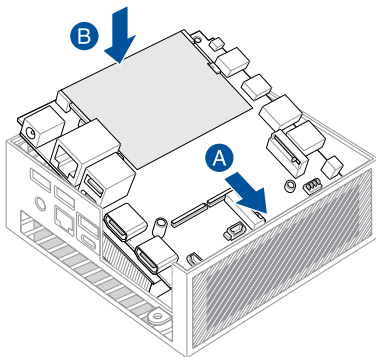
Removal

Remove the following component(s):

- Bottom cover
- FPC
- Memory module(s)
- Wireless card
- Fan module
- Heatsink

Installation

1. Install the component(s) you removed in **Removal**.
2. Align and place the motherboard in the chassis as shown.



3. Install the component(s) you removed in **Before you begin**.

CMOS battery

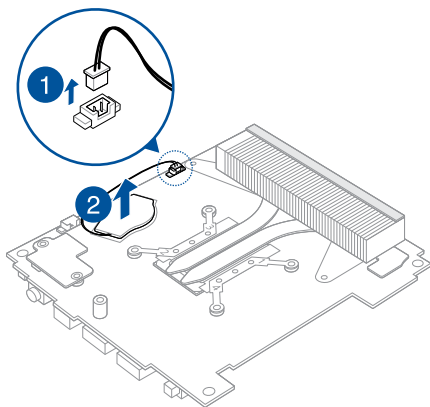
Before you begin

1. Read the **Safety Precautions** and complete the **Pre-repair Checklist**.
2. Remove the following component(s):
 - Bottom cover
 - FPC
 - Fan module

Removal

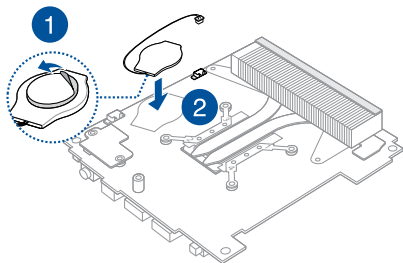
1. Disconnect the battery cable from the connector.
2. Carefully remove the CMOS battery.

IMPORTANT! When removing the battery, be careful not to damage the motherboard or the CMOS battery, which is taped to the motherboard.

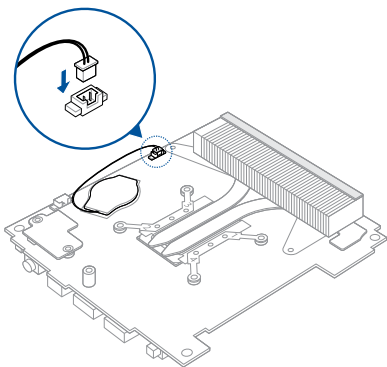


Installation

1. Remove the release liner on the battery, if one exists.
2. Align the battery as shown, and then affix it within the designated area outlined on the motherboard.



3. Connect the cable from the battery to the battery connector on the motherboard.



4. Install the component(s) you removed in **Before you begin**.

Audio card

Before you begin

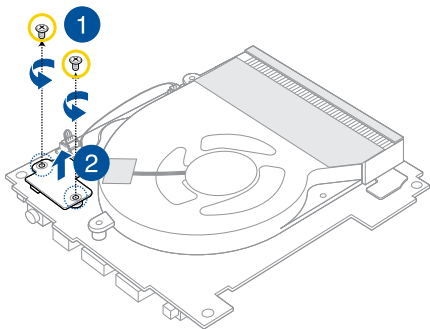
1. Read the **Safety Precautions** and complete the **Pre-repair Checklist**.
2. Remove the following component(s):
 - Bottom cover
 - FPC

Screw list

- ⊕ M2 X 3L (2 pcs)

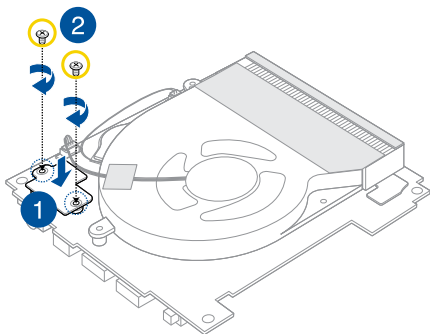
Removal

1. Remove the screw(s) securing the audio card.
2. Remove the audio card.



Installation

1. Align and place the audio card as shown.
2. Secure the audio card to the motherboard using the screw(s) previously removed.



3. Install the component(s) you removed in **Before you begin**.

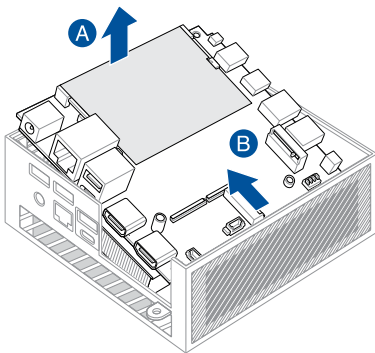
Chassis

Before you begin

1. Read the **Safety Precautions** and complete the **Pre-repair Checklist**.
2. Remove the following component(s):
 - Bottom cover
 - FPC

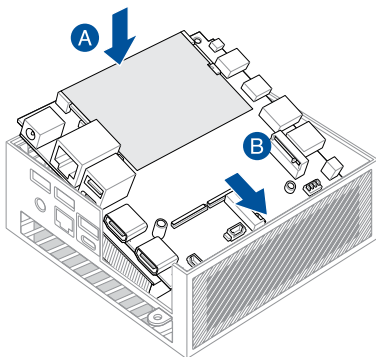
Removal

Remove the motherboard assembly as shown.



Installation

1. Install the motherboard assembly that was removed earlier into the new chassis as shown.



2. Install the component(s) you removed in **Before you begin**.