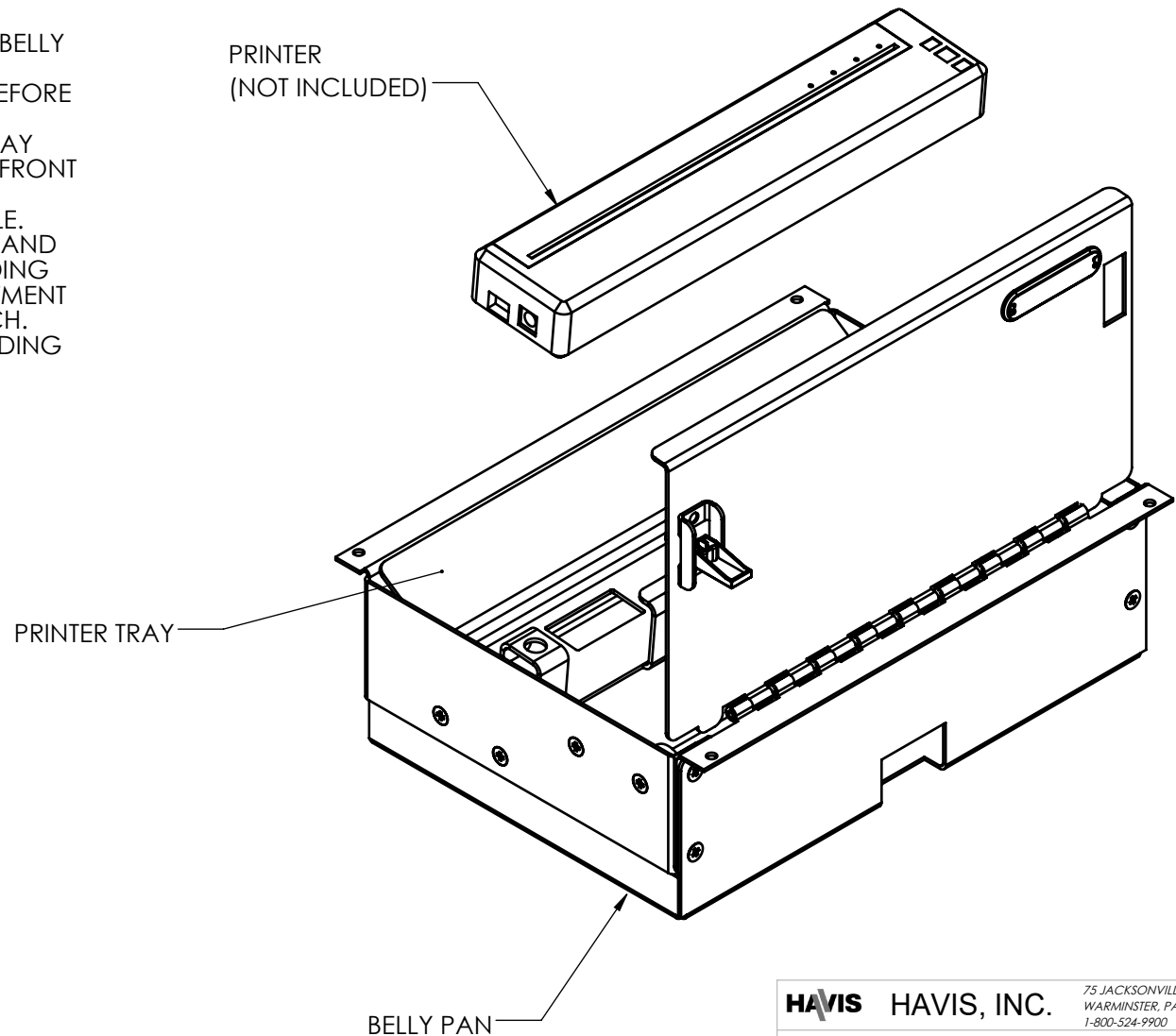


INSTALLATION INSTRUCTIONS

1. IF NEEDED FOR CLEARANCE, REMOVE BELLY PAN AND REINSTALL SCREWS.
2. ROUTE AND INSTALL PRINTER CABLES BEFORE INSTALLING PRINTER.
3. INSTALL PRINTER BY DROPPING INTO TRAY AND PRESSING DOWN FIRMLY ON THE FRONT EDGE.
4. INSTALL PRINTER MOUNT INTO CONSOLE.
5. LATCH IS OPEN WHEN UP (AS SHOWN) AND CLOSED WHEN DOWN. IF MORE HOLDING FORCE IS DESIRED, THERE IS AN ADJUSTMENT NUT ON THE BOTTOM SIDE OF THE LATCH.
6. PAPER ROLL SHOULD BE INSTALLED FEEDING OUT FROM THE BOTTOM.



| | | |
|---|---------------------------|--|
| HAVIS HAVIS, INC. | | 75 JACKSONVILLE RD. WARMINSTER, PA. 18974 1-800-524-9900 |
| TITLE: INSTALLATION INSTRUCTIONS, DROP-IN POCKETJET MOUNT | | |
| DO NOT SCALE DRAWING | | |
| SIZE A | DWG. NO. C-PM-133-INST | REV 1/23 |
| WEIGHT (LB): 7.45 | SCALE: 1:3 | SHEET 1 OF 1 |