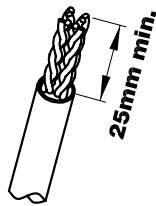
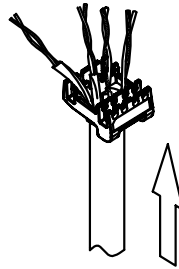


# Instructions

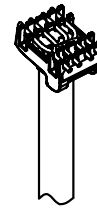
## LVN128140, LVN128146, LVN128147, LVN128144



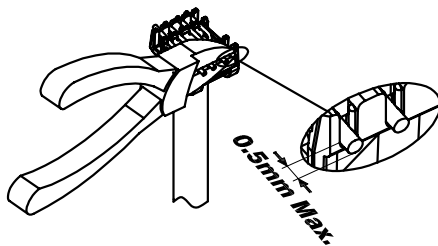
**Step 1:**  
Strip off at least 25mm of jacket from end of cable.  
NOTE: IDC is suitable for 22-24 AWG wires.



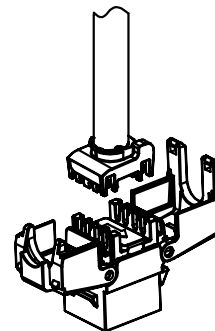
**Step 2:**  
Insert the wires into the cap through the holes.



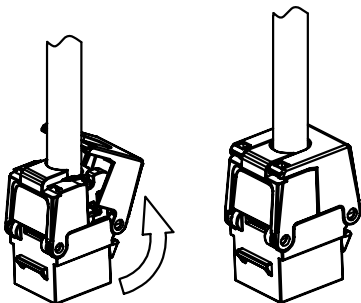
**Step 3:**  
Lay the wires to the correct positions based on the color code. (T568A/T568B)



**Step 4:**  
Cut the excess wires off. The tips of the wires should protrude no more than 0.5mm.



**Step 5:**  
Put the cap on the IDC tower. The arrows on the jack and the cap should face the same direction. Put the cap into position.



**Step 6:**  
Close the jaws until hearing the click.

