



MITSUBISHI

GUNGNIR 110R

GUNGNIR 110R WHITE

GUNGNIR 110M

GUNGNIR 110L

GUNGNIR 111R

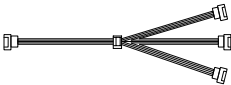





GUNGNIR 111M

User Guide
使用手冊

Contents / 目錄

Accessories / 配件	3
Specification / 產品規格.....	4
Case Features / 機殼特色.....	6
Side & Front View/ 側面和前面.....	7
IO Panel / IO 面板.....	8
SSD & HDD Installation/ SSD 和硬碟安裝方式	9
Opening the Left & Right Side Cover/ 開啟左右側板	10
Motherboard Installation / 安裝主機板	11
Cables Connection / 連接接頭.....	12
Graphics Card Installation / 安裝顯示卡	13
PSU Installation / 安裝電源供應器	14

Accessories / 配件

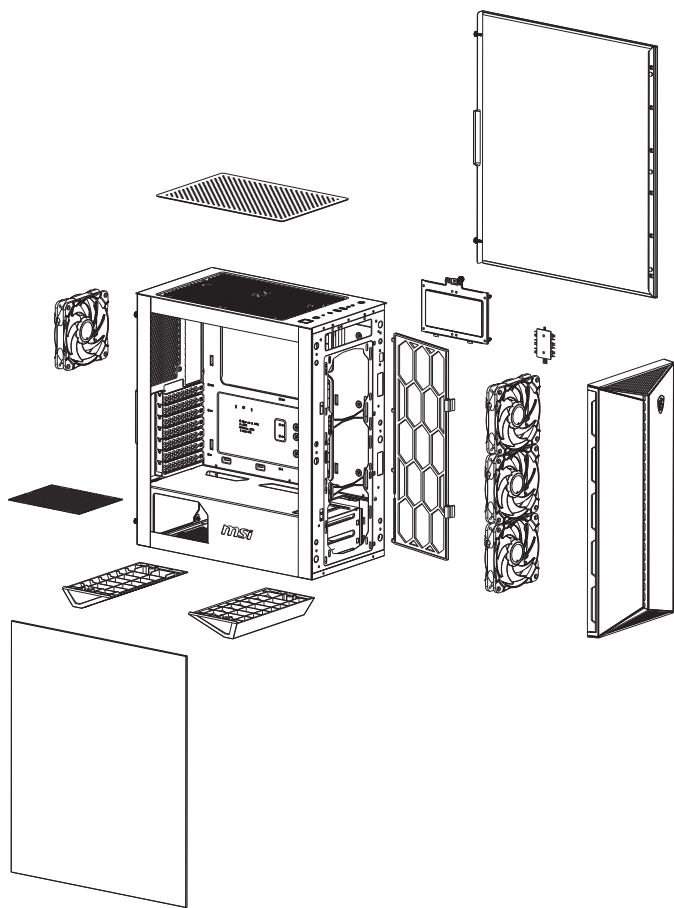
Item 項目	Name 名稱 / Q'ty 數量	Used for 用途
	1 to 3 fan splitter cable 1 對 3 風扇分接線 x1	Connect fans 連接風扇
	1 to 3 RGB splitter cable 1 對 3 RGB 分接線 (MPG GUNGNIR 111M only) x1	Connect RGB LED fans and strips 連接 RGB 風扇與燈條
	Cable ties 束線帶 x6	Cable management 整線
	Screw M3 5mm x17	Motherboard / SSD 主機板 / SSD
	Screw #6-32 6mm 六角螺絲 x6	PSU / PCIe Card 電源供應器 / PCIe 卡
	Screw #6-32 6mm 手動螺絲 x2	HDD 硬碟

Specification / 產品規格

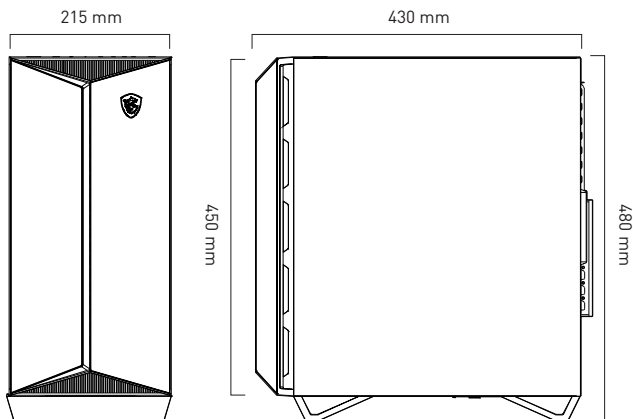
Fan LED Controller	MPG GUNGNIR 110R, 110R WHITE, 111R 1 to 6 ARGB (3 pin) Control Board MPG GUNGNIR 110M, 110L, 111M N/A
Pre-Installed Fan	MPG GUNGNIR 110R, 110R WHITE, 111R Front: 120 mm ARGB fans x3 Rear: 120 mm ARGB fan x1 MPG GUNGNIR 110M Front: 120 mm Auto RGB fans x3 Rear: 120 mm Black fan x1 MPG GUNGNIR 111M Front: 120mm RGB fan x 3 Rear: 120 mm Black fan x1 MPG GUNGNIR 110L N/A
Case Dimensions	430(D) x 215(W) x 450(H) 16.92(D) x 8.46(W) x 17.71(H) inch
Motherboard Support	ATX / M-ATX / Mini-ITX
Drive Bays	2x 3.5" / 2.5" combo trays 2x 2.5" SSD trays

IO Panel	<p>1x Power button 1x LED switch button 1x Reset button 1x Mic in jack 1x Audio out jack 2x USB 3.2 Gen1 Type A ports 1x USB 3.2 Gen2 Type C port</p>
Fan Support	<p>Top: 120 mm x2 / 140 mm x2 Front: 120mm x 3 / 140mm x 2 Rear: 120 mm x1</p>
Radiator Support	<p>Top: 120 /240 mm Front: 120 / 140 / 240 / 280 / 360 mm Rear: 120 mm</p>
Clearance	<p>CPU Cooler Height: Max 170 mm / 6.69 inch Graphics Card Length: Max 340 mm / 13.38 inch PSU Length: Max 250 mm / 9.84 inch</p>
Material	<p>Left Side: Tempered glass Right Side: Metal Top: Metal</p> <p>MPG GUNGNIR 110R, 110R WHITE Front: Glass + Metal</p> <p>MPG GUNGNIR 111R, 110M, 110L, 111M Front: Plastic + Metal</p>

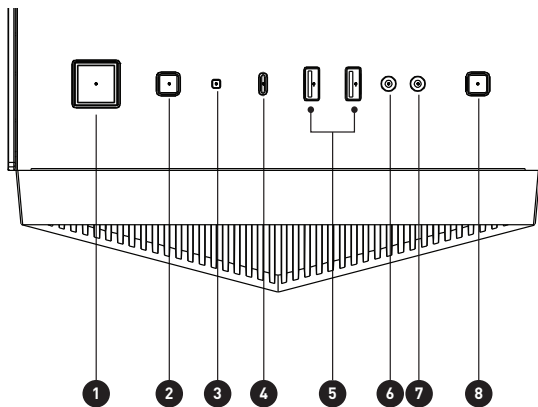
Case Features / 機殼特色



Side & Front View/ 側面和前面



IO Panel / IO 面板



1. Power button / 電源按鈕
2. Reset button / 重新開機按鈕
3. Power LED / 電源指示燈
4. USB 3.2 Gen2 Type C
5. USB 3.2 Gen1 Type A
6. Mic in / 音訊輸入
7. Audio out / 音訊輸出
8. LED switch button / LED 切換按鈕
(For GUNGNIR 110R, 111R)

LED effects:

Short press the LED switch button to change up to 26 modes.

Press and hold the LED switch for 3 seconds the LED flash white light once, and then into the MSI motherboard Mystic Light synchronization mode. Short press once to back to the Hub control mode.

Press and hold the LED switch for 6 seconds to turn off the LED.

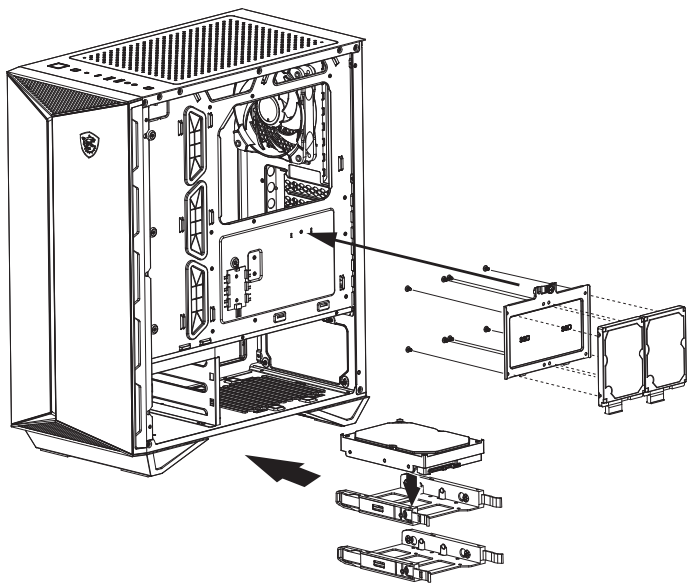
LED 效果：

短按 LED 切換按鈕可切換多達 26 種 LED 變化。

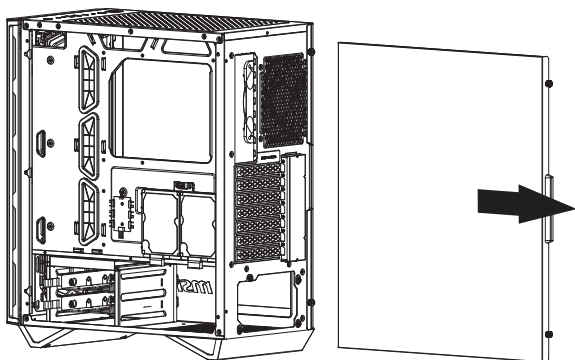
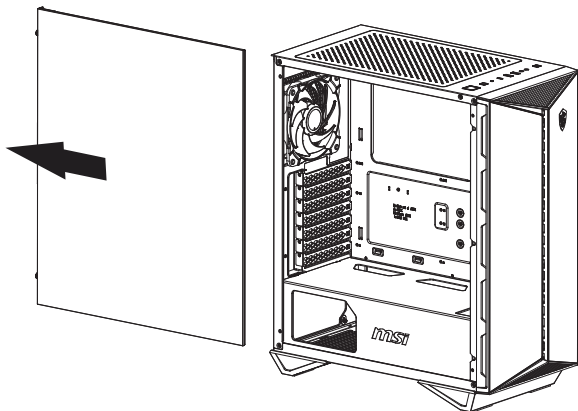
長按 LED 按鈕 3 秒鐘，風扇將閃爍一次白光，然後進入微星主機板 Mystic Light 同步模式。短按一次返回到集線器控制模式。

按住 LED 按鈕 6 秒鐘可關閉 LED。

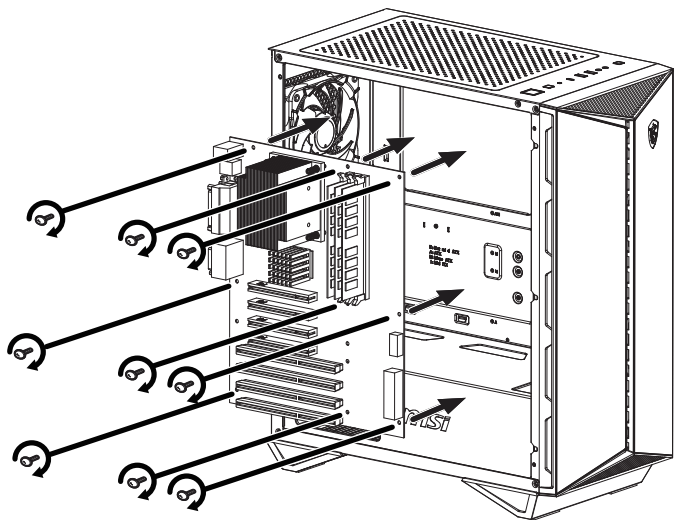
SSD & HDD Installation/ SSD 和硬碟安裝方式



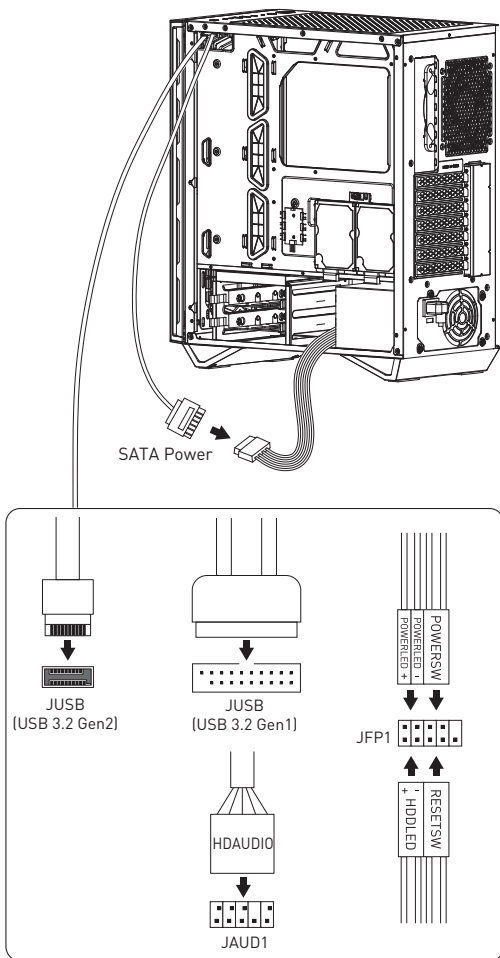
Opening the Left & Right Side Cover/ 開啟左右側板



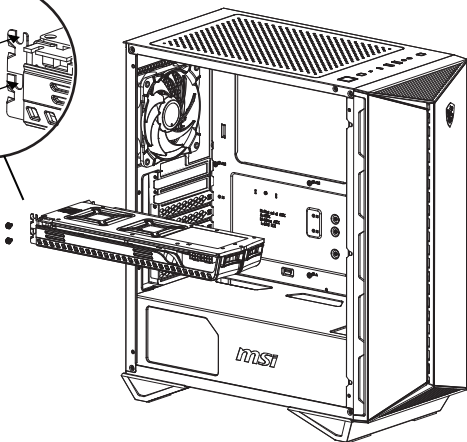
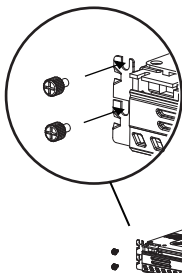
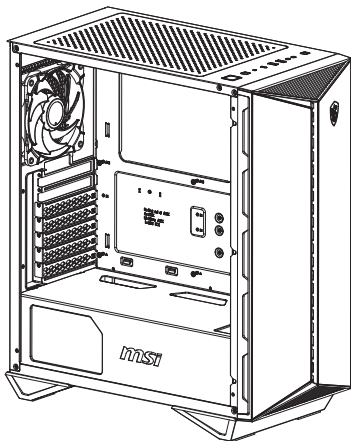
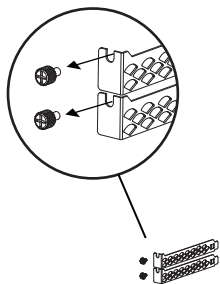
Motherboard Installation / 安裝主機板



Cables Connection / 連接接頭



Graphics Card Installation / 安裝顯示卡



PSU Installation / 安裝電源供應器

