



Vandal Resistant Dome

Mercury SX 4th Generation

- 1080P, 3MP and 4MP Versions
- Ultra Wide Dynamic Range 120dB
- Motorised 2.8-12mm P-Iris Lens
- Real Time in all Resolutions
- All Aluminium Housing
- Vandal Resistant IK10
- Smart IR Range 45M
- OnVif
- POE (IEEE 802.3af)
- 4 year Warranty

High Speed Sensor

The fourth generation of Mercury SX Series dome cameras incorporate a brand new range of megapixel CMOS sensors which can run 60fps in 1080P and 30fps 3MP and 4MP resolutions and include state-of-the-art image enhancement technologies offering excellent colour reproduction.

UWDR

The 4th generation Mercury SX range also offers the Ultra Wide Dynamic Range up to 120dB making this range ideal for surveillance in areas with strong variations in light, for instance close to large windows and entrances or where the sunlight creates both very bright zones and dark shadows.

2.8-12mm Motorised Lens

The Mercury SX 4 range comes with a new motorised 2.8-12mm lens offering a larger range of scene capturing capabilities making this camera suitable for even more applications. The remote zoom and focus feature enables convenient focusing over the network together with the special P-Iris lens, eliminating the need for hands-on fine tuning. This remote adjustment functionality greatly speeds up installation time and reduces total cost to the project.

New Improved IR Technology

The 4th generation Mercury SX range, incorporates the latest improvements in Smart IR technology offering up to 45 meters distance with less glare and light bounce back.

POE

The Mercury SX4 range comes with Power over Ethernet (PoE) meaning the heater in the camera no longer needs to be powered locally, this feature once again simplifies installation since only one cable is needed to carry power for the camera, heater as well as video signal.

Protection

The 4th generation Mercury SX range offers an all-aluminium housing with tamper screws for full IK10 protection. The Mercury SX4 also offers IP66 protection against dust, rain and snow and can operate in extreme cold temperatures. The cameras' extreme cold control function ensures safe start-up from -40 °C with an operational temperature range of -40°C ~ +50°C (POE, IEEE 802.3af)

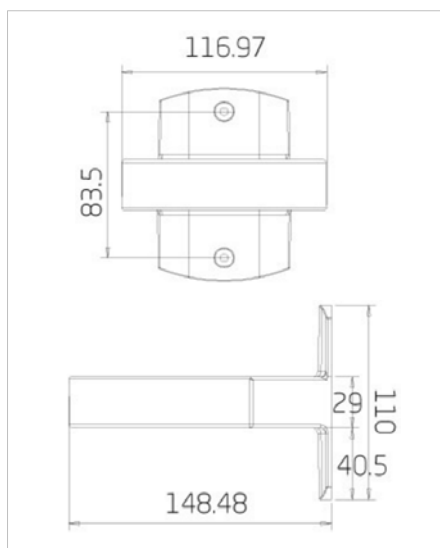
Optional Mounting Accessories

Mercury SX 2/3/4 Internal Wall Bracket

Dimensions: 148×117×110mm

Weight: 0.6 kg

Part number 0070-10016



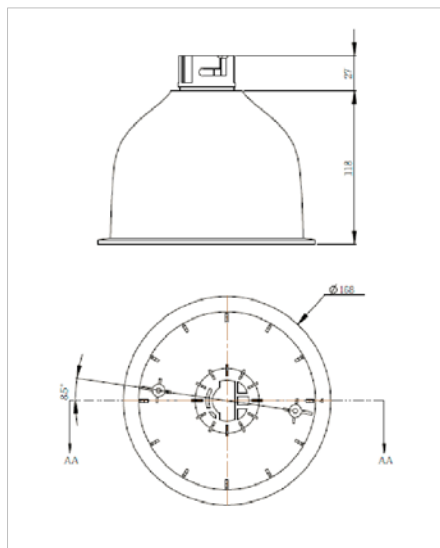
Mercury SX 2/3/4 Weather Proof Pendant Housing

Dimensions: 118 x 168

Weight: 0.8 kg

Part number 0070-10020

* Use with Mini Goose Neck Wall Bracket 0070-10007



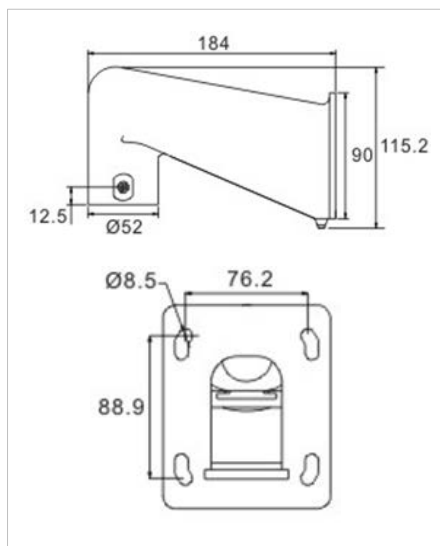
Mini Gooseneck Mount

Dimensions: 184×104×115.2 mm

Weight: 0.6 kg

Supplied with rubber washer and 4x M8x12 screw .

Part number 0070-10007



Follow us on



ONVIF

© 2015 Ernitec. All rights reserved
www.ernitec.com

Ernitec
Tempovej 41
2750 Ballerup
Denmark

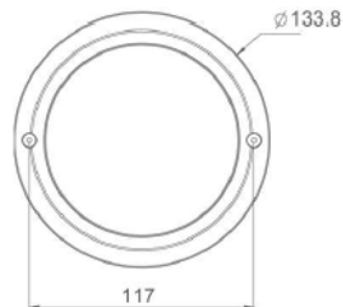
Optional Mounting Accessories

Mercury SX4 Dome Cover

Replacement dome Cover

Weight: 0.5 kg

Part number 0070-10018



In-Ceiling (T-Bar) Mount

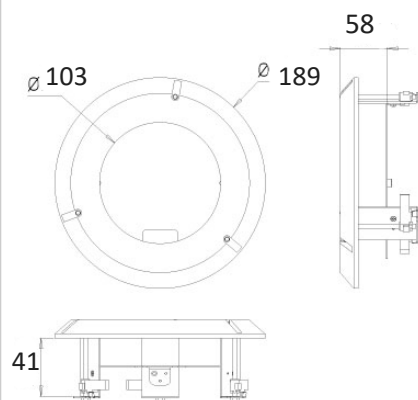
For In-Ceiling Installation.

Height: 58 mm

Diameter: $\varnothing 103$ / $\varnothing 189$ mm

Weight: 0.8 kg

Part number 0070-10017



Electra POE+

PoE + Injector for low temperatures below -20°C

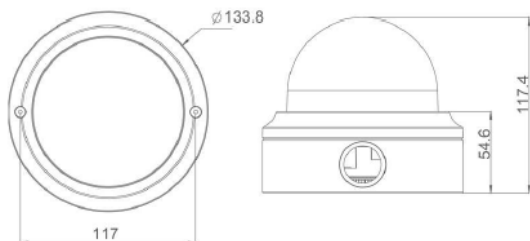
Part number: ELECTRA-P-30W



Technical Specification Mercury SX-342IR

Camera		Network	
Camera type	Dome day / night (ICR Type)	Network Interface	Ethernet (RJ45) 10/100Mbps
Effective Pixels	1920 (H) x 1080(V)	Supported protocol	IPv4/v6, TCP/IP, UDP, RTP, STPS, HTTP, HTTPS, ICMP, FTP, SMTP, DHCP, PPPoE, Upnp, IGMP, SNMP, QoS
Image Sensor	1/3" Progressive CMOS	Internet Browser	Internet Explorer (6.0+), Chrome, Firefox, Safari
Electronic Shutter Speed	1~1/10.000 sec.	Password Levels	User / Administrator
Min. Illumination	0.2 lux (Colour)/ 0.02 lux (B/W) F1.2, 30IRE	User Account	20
Day/night switching	Mechanical IR-cut	Event Notification	HTTP, FTP, SMTP
Lens		General	
Lens type	Motorized Autofocus	OnVif	Profile S, see more information on www.onvif.org
Focal Length	2.8 ~ 12 mm	SD Card Slot	SD card slot Micro SDXC 64GB supported (card is not included)
F. number	F1.4 (wide), F2.1(tele)	Audio	Two-way /G.711 /G.726
Iris	P- iris	Audio input / output	5 of 9pin terminal block
FOV	102° (Wide) ; 31° (Tele)	Digital In/out	1/1 (4 of 9 pin terminal block)
Video		Live Analog Video Output	2 pin connector 75Ω, PAL class 2
Video compression	H.264/MJPEG	Power Voltage	12VDC / 24VAC/ POE (IEEE802.3af)
Resolution	Full HD 1080P / SXGA / HD 720P / XGA / SVGA / D1 / VGA / CIF / QCIF@30fps (WDR)	Power Consumption	Max. 12,9W
Single stream NTSC	H.264 1080P @ 60 fps	Power Connector	2 pin terminal block / RJ45
Single stream PAL	H.264 1080P @ 50 fps	Built-in IR illuminator	Up to 40 meters 6 x 850nm high power LEDs
Single stream NTSC	H.264 720P @ 60 fps	Environmental Casing	IP66 & IK10
Single stream PAL	H.264 720P @ 50 fps	Languages	English / French / German / Italian / Portuguese / Russian / Spanish
Multiple streams	Dual, Triple or Quad Stream	Operating Temperature/Humidity	-40°C ~ +50°C (POE) 10% ~ 90% RH
Brightness	Manual	Dimensions	Ø133,8 x 117,4 mm
Exposure	Auto / Manual	Weight (Net)	Approx. 745g
Sharpness	Manual	Warranty	4 years
Contrast	Manual	Included accessories	Installation and Management software USB-stick, Gland, BNC Analog cable, mounting screws
White Balance	Manual / AWB/ ATW	Part number	0070-04342IR
Saturation	Manual		
Hue	Manual		
Digital Zoom	Yes		
UWDR	upto 120dB (UWDR on 30 fps max)		
3D Noise	On/Off		
Privacy Zone	On/Off		
Motion detection	On/Off		
Tampering Alarm	On/Off		

Optional accessories	
1ch video management software	0063-99999
Wall bracket	0070-10016
Ceiling Mount	0070-10017
Replacement Dome Cover	0070-10018
POE Injector	ELECTRA-P-30W
AppView for smart phones and tablet	free download



We reserve the right to introduce product modifications without notice

Follow us on



ONVIF

© 2015 Ernitec. All rights reserved
www.ernitec.com

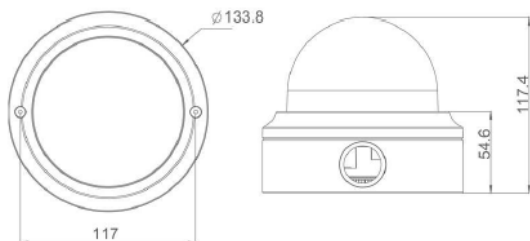
Ernitec
Tempovej 41
2750 Ballerup
Denmark

Technical Specification Mercury SX-343IR

Camera	
Camera type	Dome day / night (ICR Type)
Effective Pixels	2048 (H) x 1536(V)
Image Sensor	1/3" Progressive CMOS
Electronic Shutter Speed	1~1/10.000 sec.
Min. Illumination	0.2 lux (Colour)/ 0.02 lux (B/W) F1.2, 30IRE
Day/night switching	Mechanical IR-cut
Lens	
Lens type	Motorized Autofocus
Focal Length	2.8 ~ 12 mm
F. number	F1.4 (wide), F2.1(tele)
Iris	P- iris
FOV	102° (Wide) ; 31° (Tele)
Video	
Video compression	H.264/MJPEG
Resolution	3M (2048x1536)/Full HD 1080P / SXGA / HD 720P / XGA / SVGA / D1 / VGA / CIF / QCIF@30fps (WDR)
Single stream NTSC	H.264 2048x1536 (3M) @30 fps
Single stream PAL	H.264 2048x1536 (3M) @25 fps
Single stream NTSC	H.264 1080P @ 60 fps
Single stream PAL	H.264 1080P @ 55 fps
Single stream NTSC	H.264 720P @ 60 fps
Single stream PAL	H.264 720P @ 50 fps
Multiple streams	Dual, Triple or Quad Stream
Brightness	Manual
Exposure	Auto / Manual
Sharpness	Manual
Contrast	Manual
White Balance	Manual / AWB/ ATW
Saturation	Manual
Hue	Manual
Digital Zoom	Yes
UWDR	upto 120dB (UWDR on 30 fps max)
3D Noise	On/Off
Privacy Zone	On/Off
Motion detection	On/Off
Tampering Alarm	On/Off

Network	
Network Interface	Ethernet (RJ45) 10/100Mbps
Supported protocol	IPv4/v6, TCP/IP, UDP, RTP, STPS, HTTP, HTTPS, ICMP, FTP, SMTP, DHCP, PPPoE, Upnp, IGMP, SNMP, QoS
Internet Browser	Internet Explorer (6.0+), Chrome, Firefox, Safari
Password Levels	User / Administrator
User Account	20
Event Notification	HTTP, FTP, SMTP
General	
OnVif	Profile S, see more information on www.onvif.org
SD Card Slot	SD card slot Micro SDXC 64GB supported (card is not included)
Audio	Two-way /G.711 /G.726
Audio input / output	5 of 9pin terminal block
Digital In/out	1/1 (4 of 9 pin terminal block)
Live Analog Video Output	2 pin connector 75Ω, PAL class 2
Power Voltage	12VDC / 24VAC/ POE (IEEE802.3af)
Power Consumption	Max. 12,9W
Power Connector	2 pin terminal block / RJ45
Built-in IR illuminator	Up to 40 meters 6 x 850nm high power LEDs
Environmental Casing	IP66 & IK10
Languages	English / French / German / Italian / Portuguese / Russian / Spanish
Operating Temperature/Humidity	-40°C ~ +50°C (POE) 10% ~ 90% RH
Dimensions	Ø133,8 x 117,4 mm
Weight (Net)	Approx. 745g
Warranty	4 years
Included accessories	Installation and Management software USB-stick, Gland, BNC Analog cable, mounting screws
Part number	0070-04343IR

Optional accessories	
1ch video management software	0063-99999
Wall bracket	0070-10016
Ceiling Mount	0070-10017
Replacement Dome Cover	0070-10018
POE Injector	ELECTRA-P-30W
AppView for smart phones and tablet	free download



We reserve the right to introduce product modifications without notice

Follow us on



© 2015 Ernitec. All rights reserved
www.ernitec.com

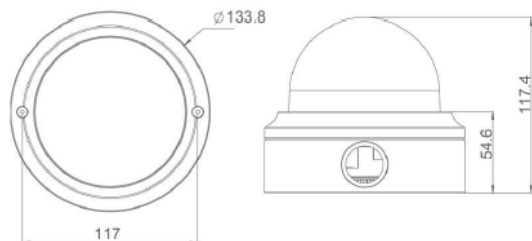
Ernitec
Tempovej 41
2750 Ballerup
Denmark

Technical Specification Mercury SX-344IR

Camera	
Camera type	Dome day / night (ICR Type)
Effective Pixels	2688(H) x 1520(V)
Image Sensor	1/3" Progressive CMOS
Electronic Shutter Speed	1~1/10.000 sec.
Min. Illumination	0.2 lux (Colour)/ 0.02 lux (B/W) F1.2, 30IRE
Day/night switching	Mechanical IR-cut
Lens	
Lens type	Motorized Autofocus
Focal Length	2.8 ~ 12 mm
F. number	F1.4 (wide), F2.1(tele)
Iris	P- iris
FOV	102° (Wide) ; 31° (Tele)
Video	
Video compression	H.264/MJPEG
Resolution	2560 x 1440 (4M) Full HD 1080P / SXGA / HD 720P / XGA / SVGA / D1 / VGA / CIF / QCIF@30fps (WDR)
Single stream NTSC	H.264 2560 x 1440 (4M) 30fps
Single stream PAL	H.264 2560 x 1440 (4M) 25fps
Single stream NTSC	H.264 1080P @ 60 fps
Single stream PAL	H.264 1080P @ 50 fps
Single stream NTSC	H.264 720P @ 60 fps
Single stream PAL	H.264 720P @ 50 fps
Multiple streams	Dual, Triple or Quad Stream
Brightness	Manual
Exposure	Auto / Manual
Sharpness	Manual
Contrast	Manual
White Balance	Manual / AWB/ ATW
Saturation	Manual
Hue	Manual
Digital Zoom	Yes
UWDR	upto 120dB (UWDR on 30 fps max)
3D Noise	On/Off
Privacy Zone	On/Off
Motion detection	On/Off
Tampering Alarm	On/Off

Network	
Network Interface	Ethernet (RJ45) 10/100Mbps
Supported protocol	IPv4/v6, TCP/IP, UDP, RTP, STPS, HTTP, HTTPS, ICMP, FTP, SMTP, DHCP, PPPoE, Upnp, IGMP, SNMP, QoS
Internet Browser	Internet Explorer (6.0+), Chrome, Firefox, Safari
Password Levels	User / Administrator
User Account	20
Event Notification	HTTP, FTP, SMTP
General	
OnVif	Profile S, see more information on www.onvif.org
SD Card Slot	SD card slot Micro SDXC 64GB supported (card is not included)
Audio	Two-way /G.711 /G.726
Audio input / output	5 of 9pin terminal block
Digital In/out	1/1 (4 of 9 pin terminal block)
Live Analog Video Output	2 pin connector 75Ω, PAL class 2
Power Voltage	12VDC / 24VAC/ POE (IEEE802.3af)
Power Consumption	Max. 12,9W
Power Connector	2 pin terminal block / RJ45
Built-in IR illuminator	Up to 40 meters 6 x 850nm high power LEDs
Environmental Casing	IP66 & IK10
Languages	English / French / German / Italian / Portuguese / Russian / Spanish
Operating Temperature/Humidity	-40°C ~ +50°C (POE) 10% ~ 90% RH
Dimensions	Ø133,8 x 117,4 mm
Weight (Net)	Approx. 745g
Warranty	4 years
Included accessories	Installation and Management software USB-stick, Gland, BNC Analog cable, mounting screws
Part number	0070-04344IR

Optional accessories	
1ch video management software	0063-99999
Wall bracket	0070-10016
Ceiling Mount	0070-10017
Replacement Dome Cover	0070-10018
POE Injector	ELECTRA-P-30W
AppView for smart phones and tablet	free download



DISTRIBUTED BY



We reserve the right to introduce product modifications without notice

Follow us on



© 2015 Ernitec. All rights reserved
www.ernitec.com

Ernitec
Tempovej 41
2750 Ballerup
Denmark

ROBEN0117