

# Easy UPS 3S

10-40 kVA

Operation

06/2019



# Legal Information

The Schneider Electric brand and any trademarks of Schneider Electric SE and its subsidiaries referred to in this guide are the property of Schneider Electric SE or its subsidiaries. All other brands may be trademarks of their respective owners.

This guide and its content are protected under applicable copyright laws and furnished for informational use only. No part of this guide may be reproduced or transmitted in any form or by any means (electronic, mechanical, photocopying, recording, or otherwise), for any purpose, without the prior written permission of Schneider Electric.

Schneider Electric does not grant any right or license for commercial use of the guide or its content, except for a non-exclusive and personal license to consult it on an "as is" basis. Schneider Electric products and equipment should be installed, operated, serviced, and maintained only by qualified personnel.

As standards, specifications, and designs change from time to time, information contained in this guide may be subject to change without notice.

To the extent permitted by applicable law, no responsibility or liability is assumed by Schneider Electric and its subsidiaries for any errors or omissions in the informational content of this material or consequences arising out of or resulting from the use of the information contained herein.



Go to <http://www.productinfo.schneider-electric.com/portals/ui/easyups3s/> for translations.

Rendez-vous sur <http://www.productinfo.schneider-electric.com/portals/ui/easyups3s/> pour accéder aux traductions.

Vaya a <http://www.productinfo.schneider-electric.com/portals/ui/easyups3s/> para obtener las traducciones.

Gehe zu <http://www.productinfo.schneider-electric.com/portals/ui/easyups3s/> für Übersetzungen.

Vai a <http://www.productinfo.schneider-electric.com/portals/ui/easyups3s/> per le traduzioni.

Vá para <http://www.productinfo.schneider-electric.com/portals/ui/easyups3s/> para obter as traduções.

Перейдите по ссылке <http://www.productinfo.schneider-electric.com/portals/ui/easyups3s/> для просмотра переводов.

前往 <http://www.productinfo.schneider-electric.com/portals/ui/easyups3s/> 查看译文。

前往 <http://www.productinfo.schneider-electric.com/portals/ui/easyups3s/> 查看譯文。

# Table of Contents

Important Safety Instructions — SAVE THESE INSTRUCTIONS .....	5
Electromagnetic Compatibility .....	6
Safety Precautions .....	6
Overview .....	7
User Interface .....	7
Display Interface .....	9
Overview of Single UPS .....	10
Overview of 1+1 Redundant Parallel System with Common Battery Bank .....	11
Overview of Parallel System .....	12
Location of Breakers .....	13
Operation Modes .....	17
Operation Procedures .....	21
Initial Start-Up of the UPS Using the Wizard – Only Applicable to Single UPSs with Internal Batteries .....	21
Start-Up Checklist – Only Applicable to Single UPSs with Internal Batteries .....	22
Start Up a Single UPS in Normal Mode .....	22
Transfer a Single UPS from Normal Mode to Static Bypass Mode .....	24
Transfer a Single UPS from Static Bypass Mode to Normal Mode .....	24
Transfer a Single UPS from Normal Mode to Maintenance Bypass Mode .....	25
Transfer a Single UPS from Maintenance Bypass Mode to Normal Mode .....	26
Transfer a Parallel System from Normal Mode to Maintenance Bypass Mode .....	27
Transfer a Parallel System from Maintenance Bypass Mode to Normal Mode .....	28
Isolate a Single UPS from the Parallel System .....	28
Start Up and Add a UPS to a Running Parallel System .....	29
Configuration .....	32
Register Your Easy UPS 3S .....	32
Set the Display Language .....	32
Set the Date and Time .....	33
Set the UPS Settings .....	33
Set the Battery Settings .....	34
Recommended Settings for UPSs with Internal Batteries and Modular Battery Cabinets .....	35
Set the Life Cycle Monitoring .....	37
Settings .....	38
Tests .....	40
Perform a Battery Maintenance Test .....	40
Perform a Battery Test .....	40
Maintenance .....	41
Parts Replacement .....	41
Determine if you need a Replacement Part .....	41

Replace the Dust Filter.....	41
Troubleshooting .....	44
View the Active Alarms.....	44
Buzzer .....	44
Status and Alarm Messages .....	44

# Important Safety Instructions — SAVE THESE INSTRUCTIONS

Read these instructions carefully and look at the equipment to become familiar with it before trying to install, operate, service or maintain it. The following safety messages may appear throughout this manual or on the equipment to warn of potential hazards or to call attention to information that clarifies or simplifies a procedure.



The addition of this symbol to a “Danger” or “Warning” safety message indicates that an electrical hazard exists which will result in personal injury if the instructions are not followed.



This is the safety alert symbol. It is used to alert you to potential personal injury hazards. Obey all safety messages with this symbol to avoid possible injury or death.

## DANGER

**DANGER** indicates a hazardous situation which, if not avoided, **will result in death or serious injury.**

**Failure to follow these instructions will result in death or serious injury.**

## WARNING

**WARNING** indicates a hazardous situation which, if not avoided, **could result in death or serious injury.**

**Failure to follow these instructions can result in death, serious injury, or equipment damage.**

## CAUTION

**CAUTION** indicates a hazardous situation which, if not avoided, **could result in minor or moderate injury.**

**Failure to follow these instructions can result in injury or equipment damage.**

## NOTICE

**NOTICE** is used to address practices not related to physical injury. The safety alert symbol shall not be used with this type of safety message.

**Failure to follow these instructions can result in equipment damage.**

## Please Note

Electrical equipment should only be installed, operated, serviced, and maintained by qualified personnel. No responsibility is assumed by Schneider Electric for any consequences arising out of the use of this material.

A qualified person is one who has skills and knowledge related to the construction, installation, and operation of electrical equipment and has received safety training to recognize and avoid the hazards involved.

## Electromagnetic Compatibility

### **NOTICE**

#### **RISK OF ELECTROMAGNETIC DISTURBANCE**

This is a product Category C3 according to IEC 62040-2. This is a product for commercial and industrial applications in the second environment - installation restrictions or additional measures may be needed to prevent disturbances. The second environment includes all commercial, light industry, and industrial locations other than residential, commercial, and light industrial premises directly connected without intermediate transformer to a public low-voltage mains supply. The installation and cabling must follow the electromagnetic compatibility rules, e.g.:

- the segregation of cables,
- the use of shielded or special cables when relevant,
- the use of grounded metallic cable tray and supports.

**Failure to follow these instructions can result in equipment damage.**

## Safety Precautions

### **DANGER**

#### **HAZARD OF ELECTRICAL SHOCK, EXPLOSION OR ARC FLASH**

All safety instructions in this document must be read, understood and followed.

**Failure to follow these instructions will result in death or serious injury.**

### **DANGER**

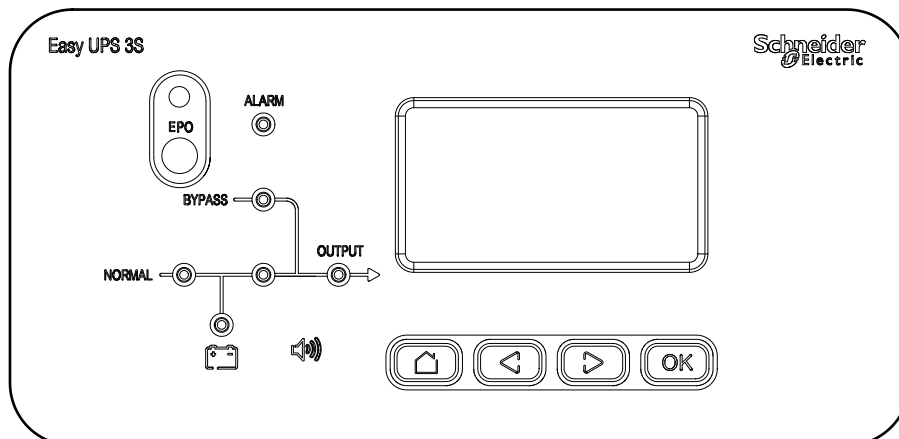
#### **HAZARD OF ELECTRICAL SHOCK, EXPLOSION OR ARC FLASH**

After the UPS system has been electrically wired, do not start up the system. Start-up must only be performed by Schneider Electric.

**Failure to follow these instructions will result in death or serious injury.**

# Overview

## User Interface



## Keys

Home	Previous	Next	Confirm

## EPO

Only use the EPO button in case of emergency. When the EPO button is pushed, the system turns off the rectifier and the inverter, and stops supplying the load immediately.

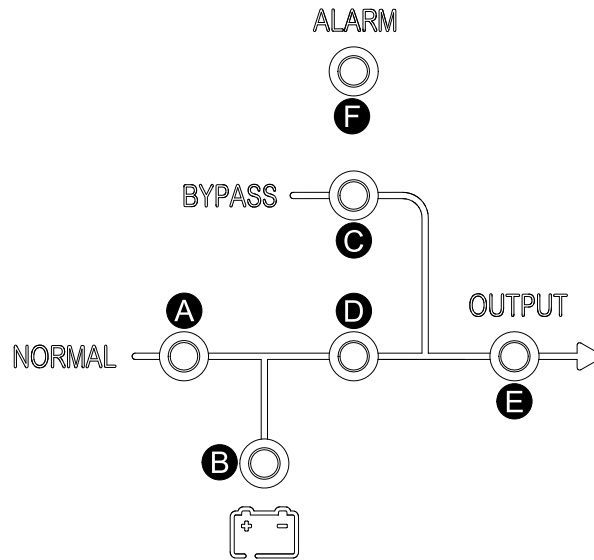
**⚠ DANGER**





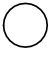




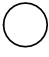



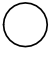



**HAZARD OF ELECTRIC SHOCK, EXPLOSION, OR ARC FLASH**

The UPS control circuit will remain active after the EPO has been pushed if mains is available.







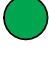

**Failure to follow these instructions will result in death or serious injury.**

Status LEDs



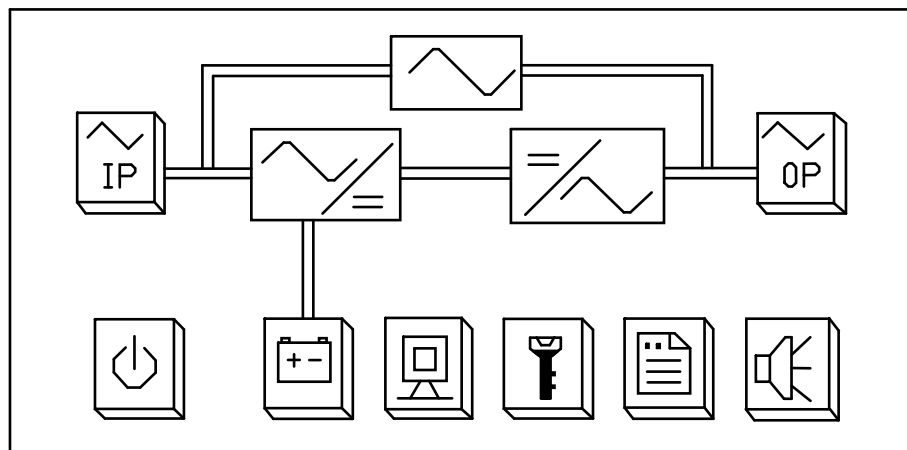
LED	LED	Status
A	Rectifier	<p>Green : Rectifier is working correctly.</p> <p>Flashing green : Rectifier is working correctly and mains is normal.</p> <p>Red : Rectifier is inoperable.</p> <p>Flashing red : Mains is unavailable.</p> <p>OFF : Rectifier is off.</p>
B	Battery	<p>Green : Battery is charging.</p> <p>Flashing green : Battery is discharging.</p> <p>Red : Battery is inoperable.</p> <p>Flashing red : Battery low voltage.</p> <p>OFF : Battery and battery charger are normal, battery is not charging.</p>
C	Bypass	<p>Green : Load supplied by bypass source.</p> <p>Red : Bypass source is unavailable or static bypass switch is inoperable.</p> <p>Flashing red : Bypass voltage is out of tolerance.</p> <p>OFF : Bypass source is normal.</p>
D	Inverter	<p>Green : Load supplied by inverter.</p> <p>Flashing green : Inverter on, start, synchronization or standby (ECO mode) for at least one module.</p> <p>Red : Load not supplied by inverter, inverter is inoperable.</p>



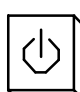

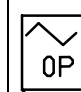

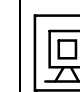



	LED	Status
		Flashing red  : Load supplied by inverter, but an inverter alarm is present.  OFF  : Inverter is off.
E	Load	Green  : UPS output is on.  Red  : Overload on UPS output for too long, or output has shorted, or no output power present.  Flashing red  : Overload on UPS output.  OFF  : UPS output is off.
F	Status	Green  : Normal mode.  Red  : Inoperable status.

## Display Interface

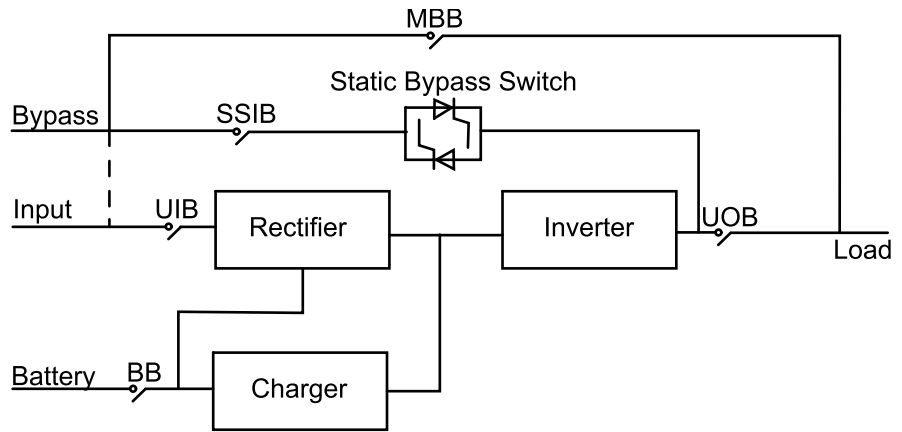
### Home Screen



### Buttons

							
Power On/Off	Input and bypass status information	Output status information	Battery status information	UPS status	Function settings	Log	Mute

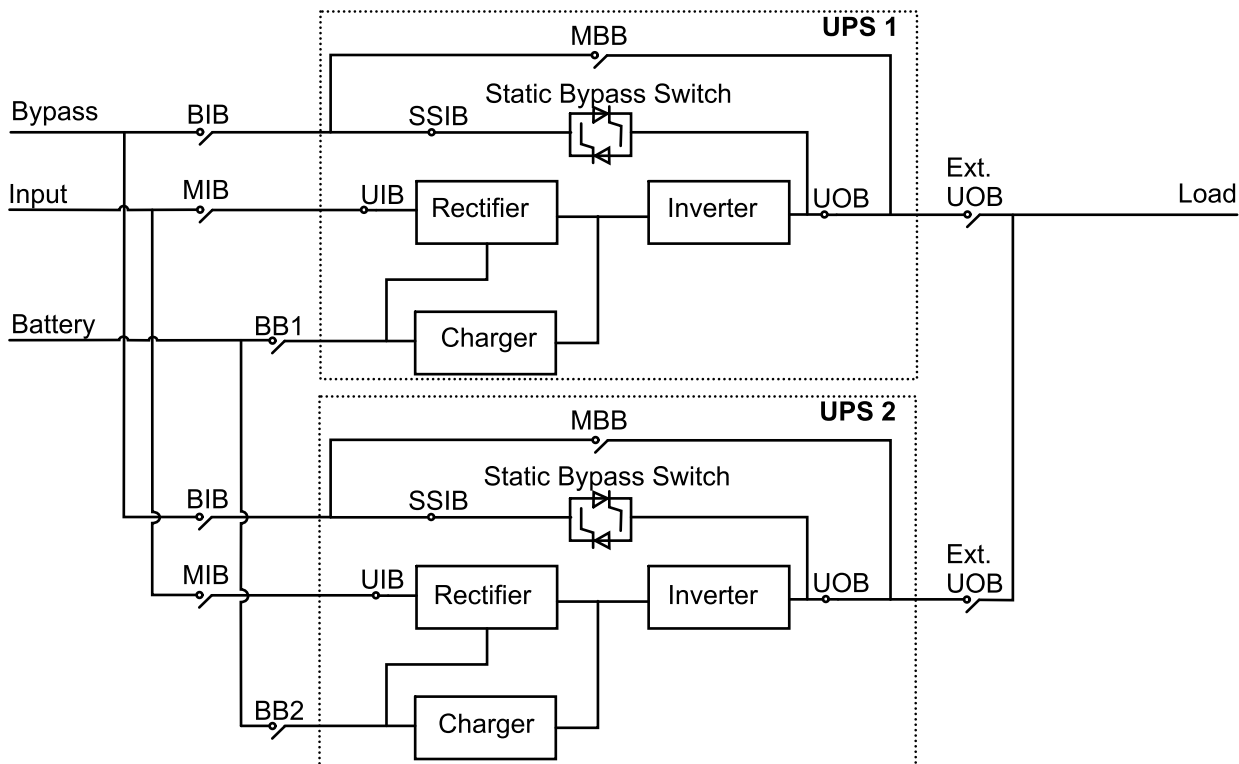
## Overview of Single UPS



UIB	Unit input breaker
SSIB	Static switch input breaker
UOB	Unit output breaker
MBB	Maintenance bypass breaker
BB	Battery breaker

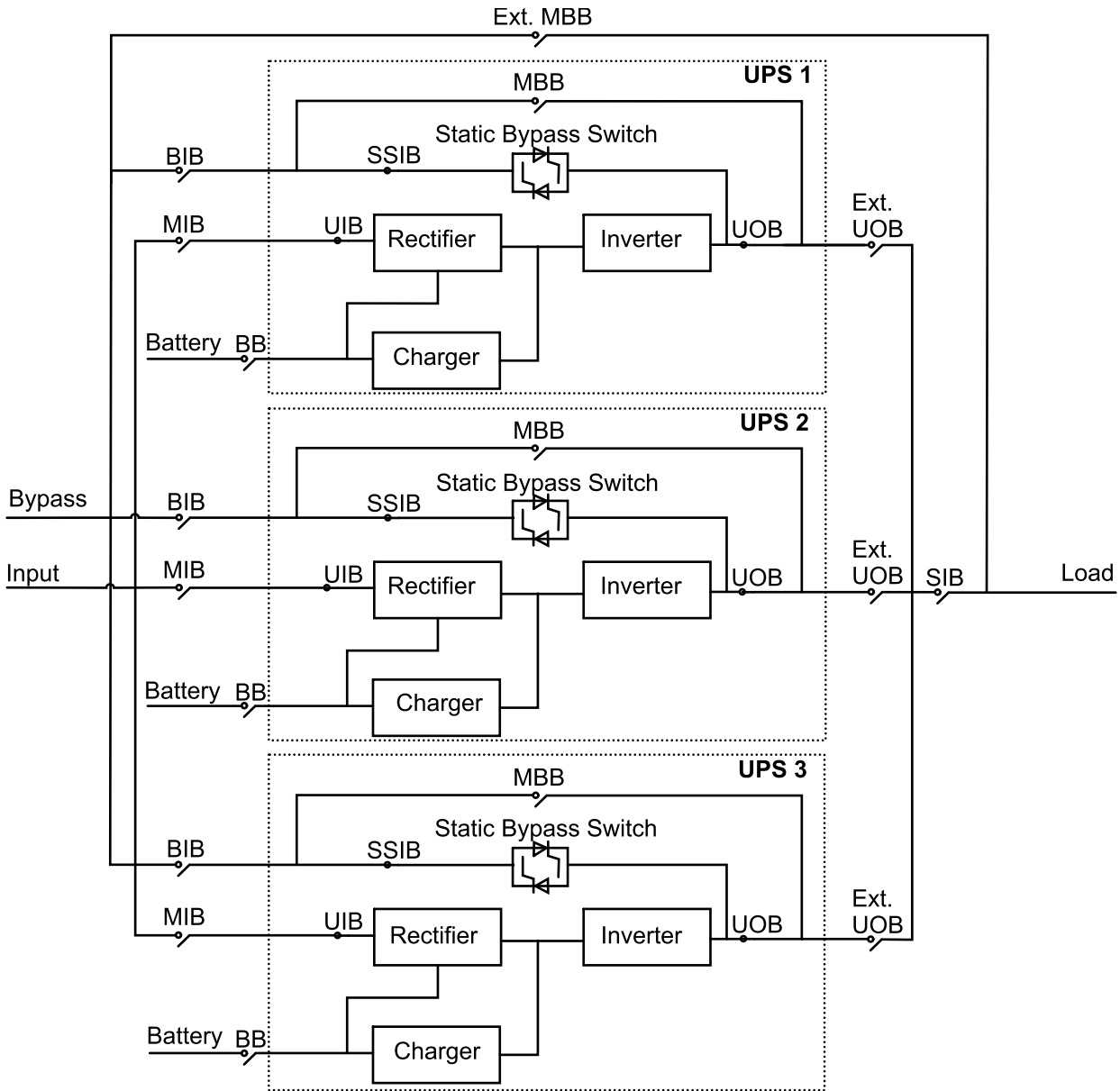
# Overview of 1+1 Redundant Parallel System with Common Battery Bank

**NOTE:** For UPS with internal batteries, the batteries must be removed and the internal battery breaker (BB) must be opened.



MIB	Mains input breaker
BIB	Bypass input breaker
UIB	Unit input breaker
SSIB	Static switch input breaker
UOB	Unit output breaker
Ext. UOB	External unit output breaker
MBB	Maintenance bypass breaker
Ext. MBB	External maintenance bypass breaker
BB1	Battery breaker 1
BB2	Battery breaker 2

## Overview of Parallel System

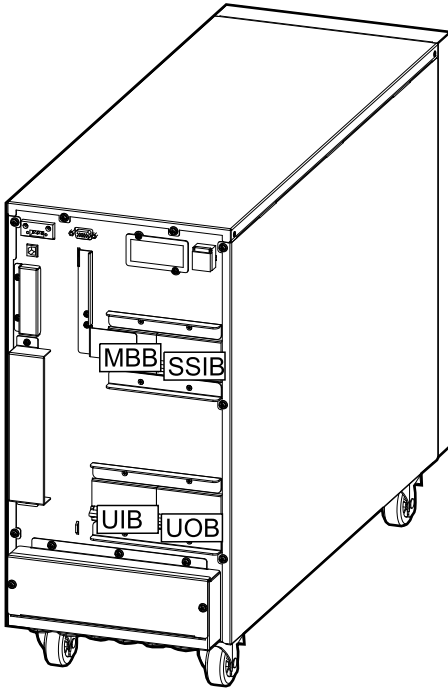


MIB	Mains input breaker
BIB	Bypass input breaker
UIB	Unit input breaker
SSIB	Static switch input breaker
UOB	Unit output breaker
Ext. UOB	External unit output breaker
MBB	Maintenance bypass breaker
Ext. MBB	External maintenance bypass breaker
SIB	System isolation breaker
BB	Battery breaker

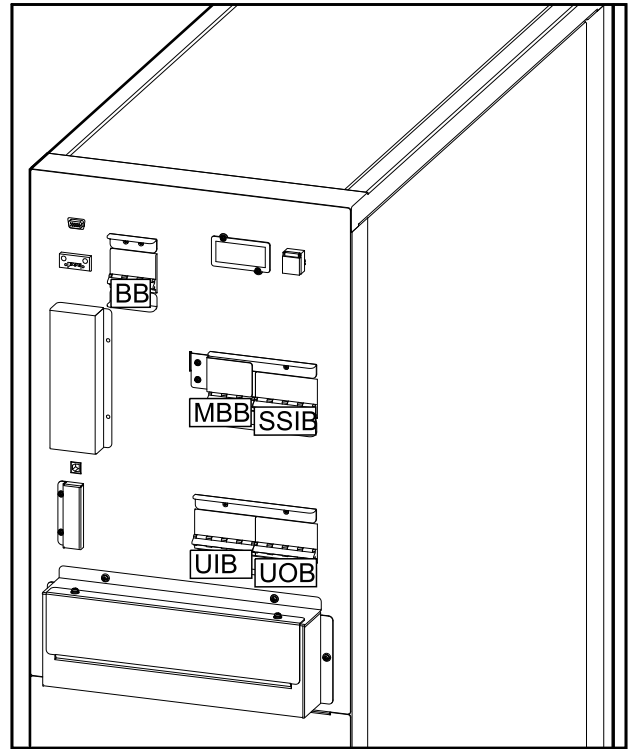
## Location of Breakers

### Location of Breakers in 3:3 UPSs

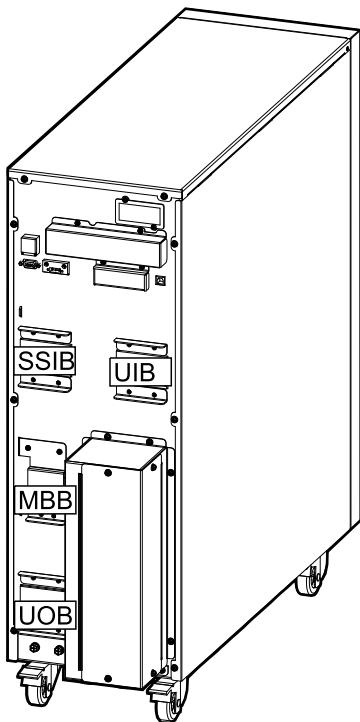
**Rear View of the 10–15 kVA UPS for External Batteries**



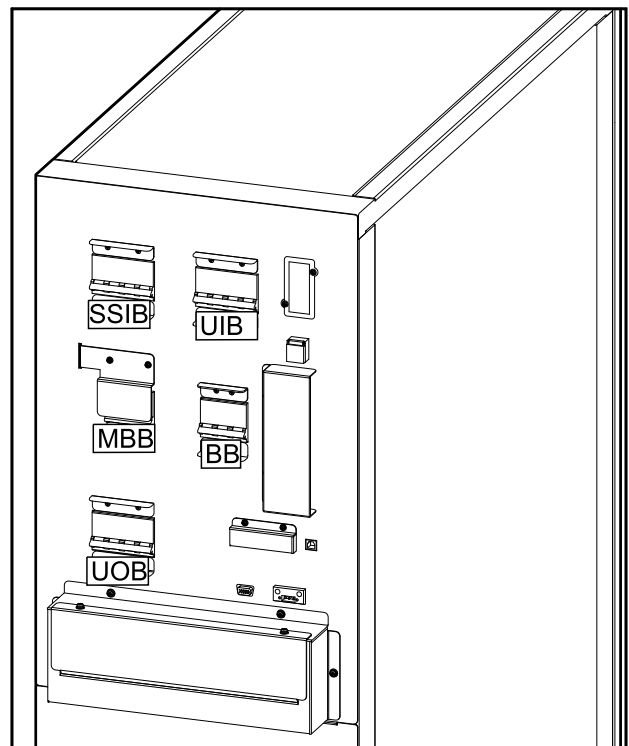
**Rear View of the 10–15 kVA UPS with Internal Batteries**



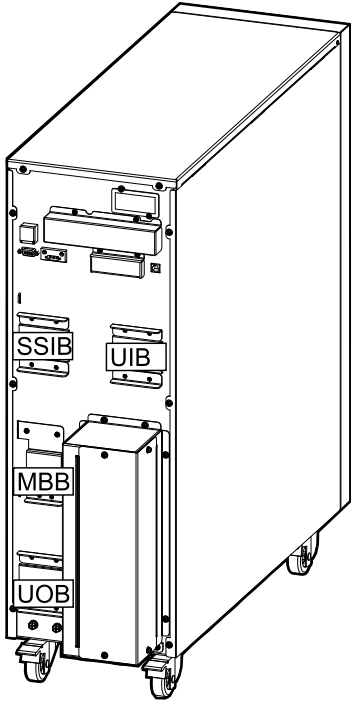
**Rear View of the 20 kVA UPS for External Batteries**



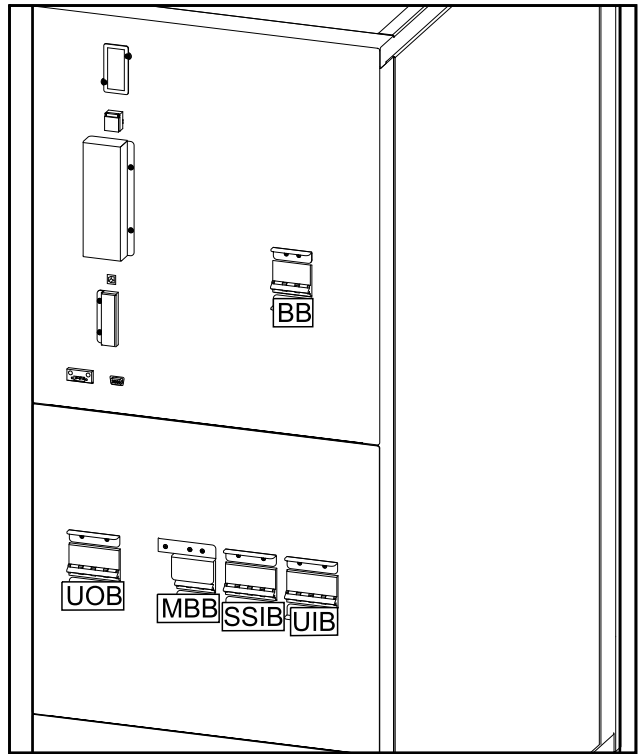
**Rear View of the 20 kVA UPS with Internal Batteries**



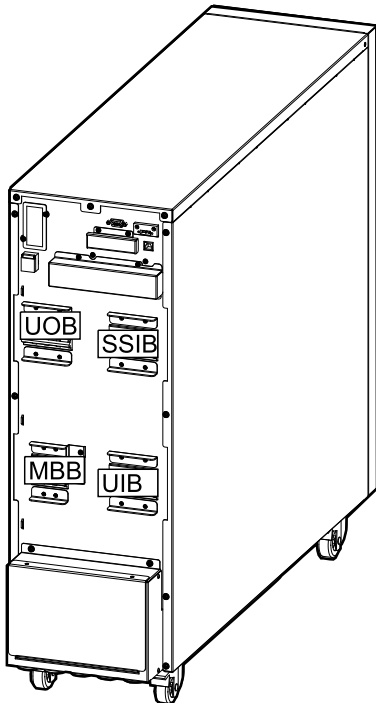
Rear View of the 30 kVA UPS for External Batteries



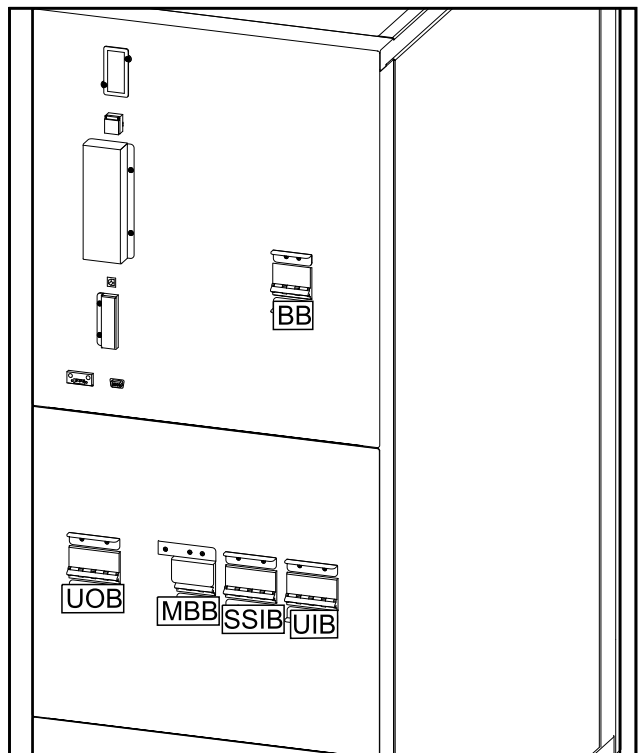
Rear View of the 30 kVA UPS with Internal Batteries



Rear View of the 40 kVA UPS for External Batteries

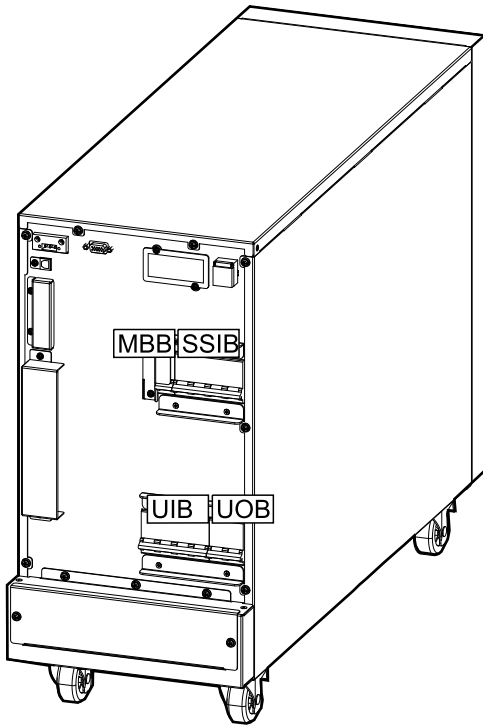


Rear View of the 40 kVA UPS with Internal Batteries

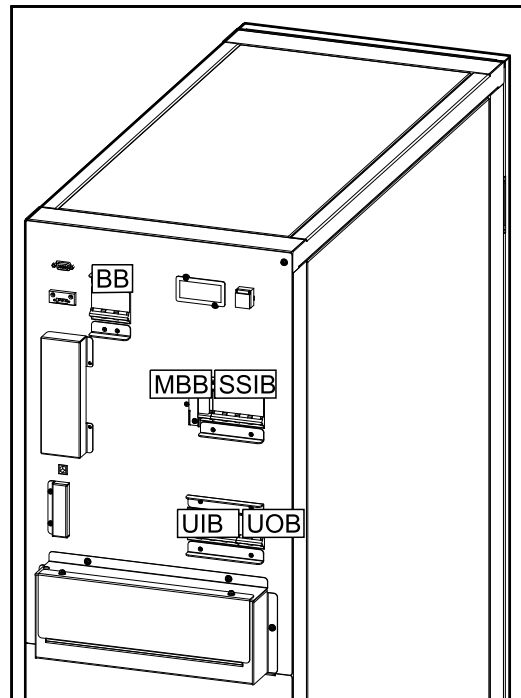


### Location of Breakers in 3:1 UPSs

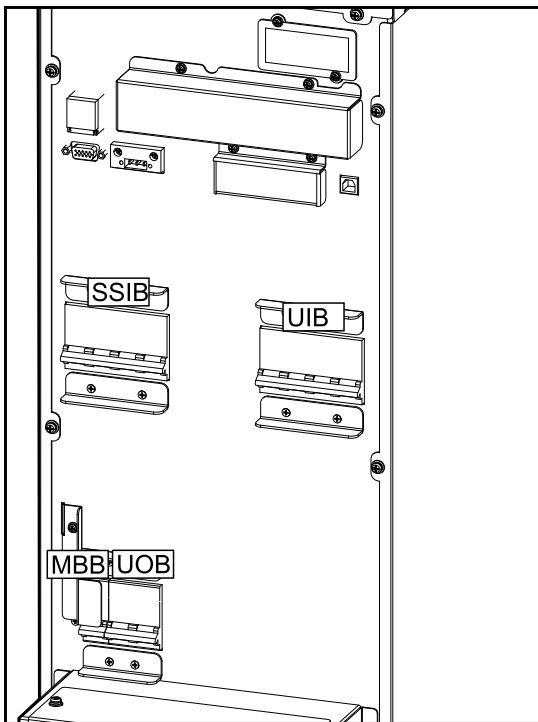
**Rear View of the 10–15 kVA UPS for External Batteries**



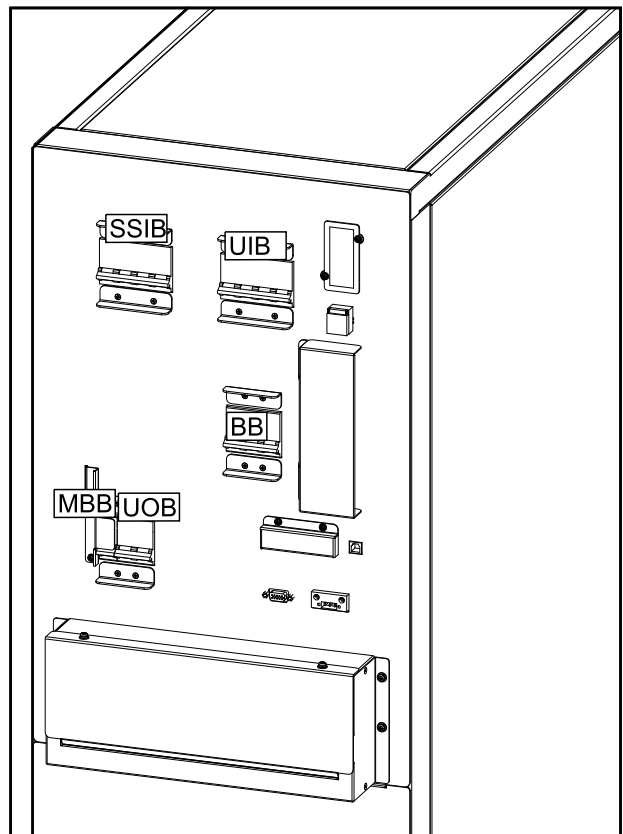
**Rear View of the 10–15 kVA UPS with Internal Batteries**



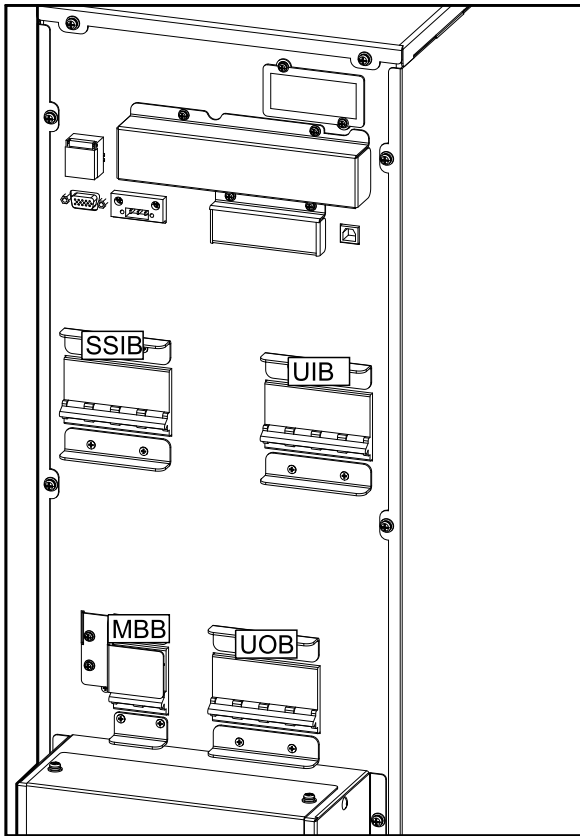
**Rear View of the 20 kVA UPS for External Batteries**



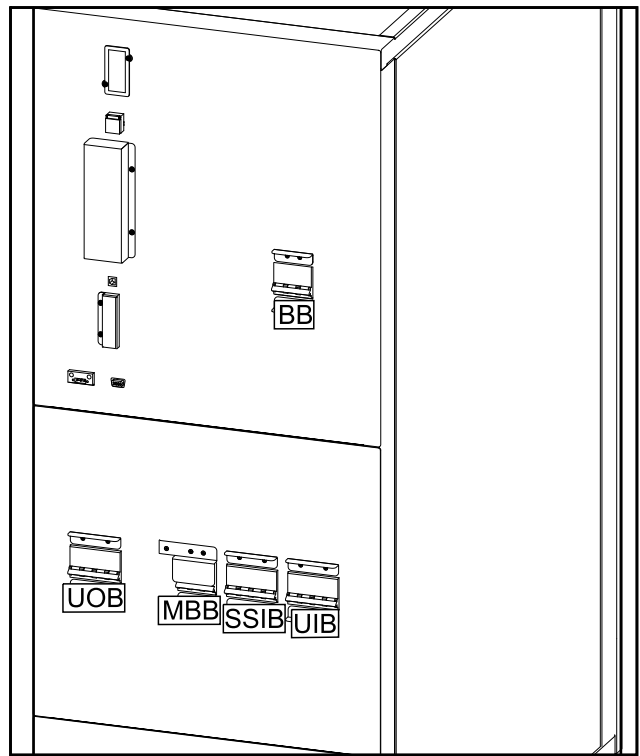
**Rear View of the 20 kVA UPS with Internal Batteries**



Rear View of the 30 kVA UPS for External Batteries



Rear View of the 30 kVA UPS with Internal Batteries



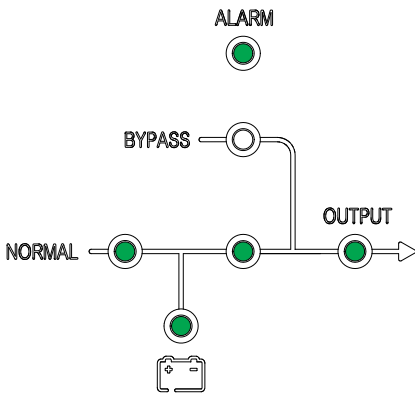


# Operation Modes

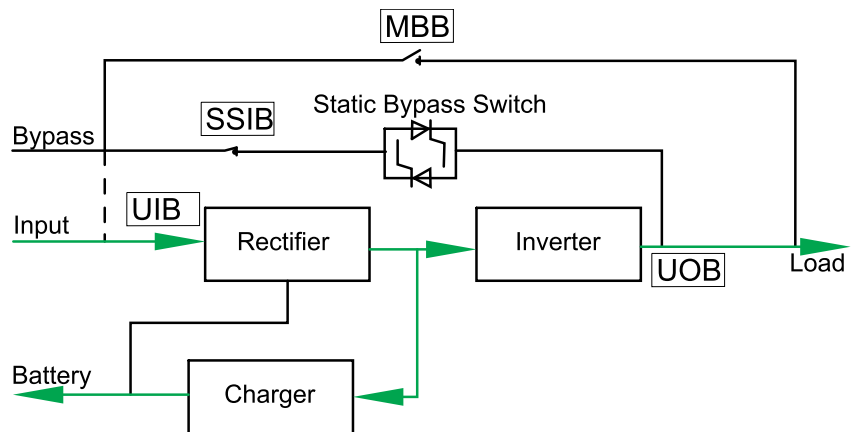
## Normal Mode

The UPS provides power to the connected load from mains. The UPS converts mains to conditioned power for the connected load while recharging the batteries (float or boost charge).

LED Status



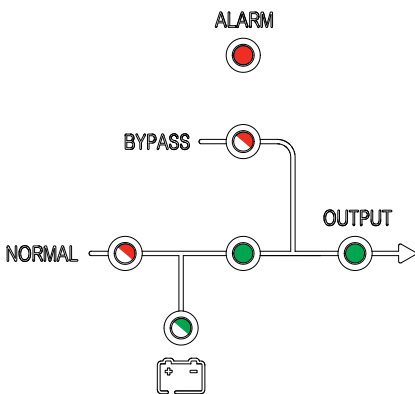
Power Flow



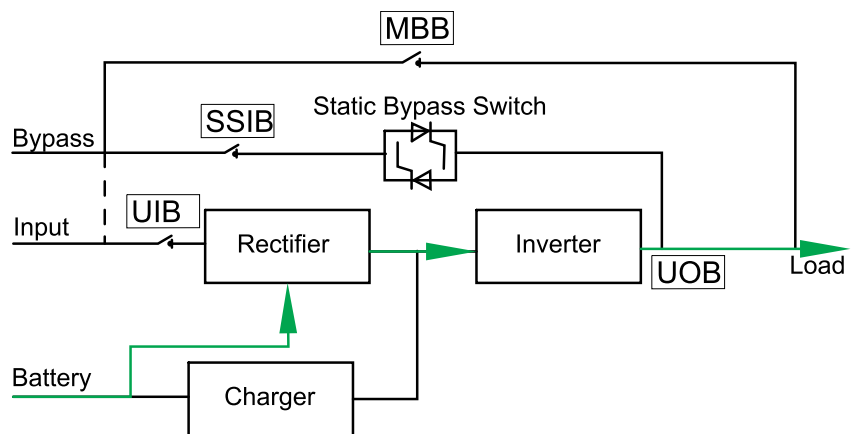
## Battery Mode

The UPS transfers to battery mode if the mains supply fails. The UPS provides power to the connected load from the connected batteries for a finite period. When the mains supply returns, the UPS transfers back to normal mode.

LED Status



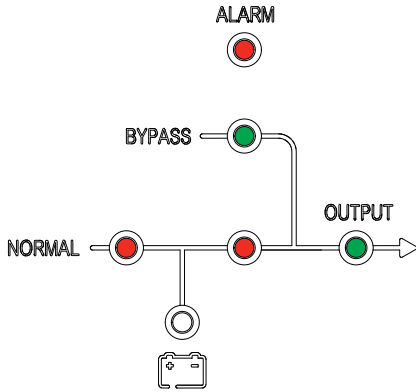
Power Flow



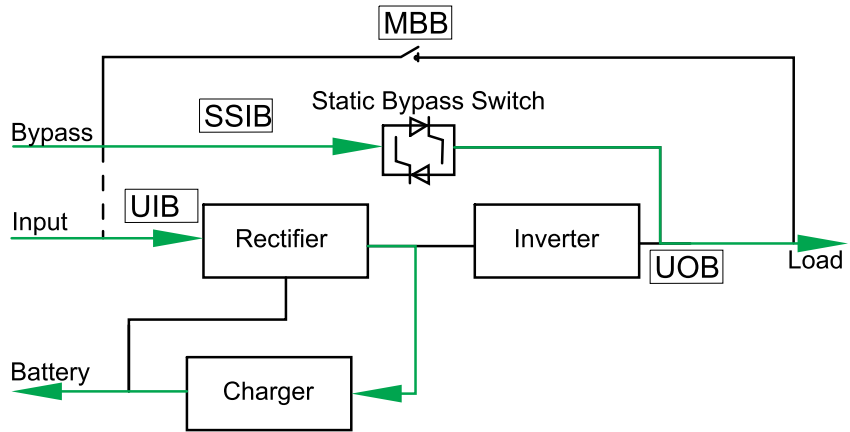
## Static Bypass Mode

The UPS supplies the load with power from the bypass source. If the conditions for normal or battery mode are not met, the load will be transferred from the inverter to the bypass source with no interruption in power to the load.

**LED Status**



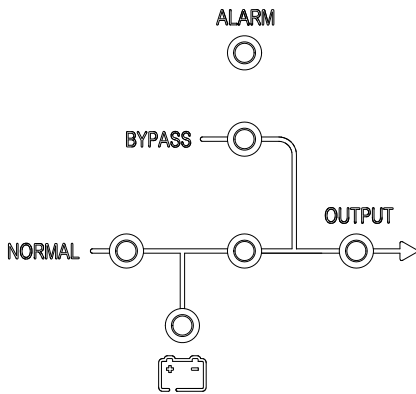
**Power Flow**



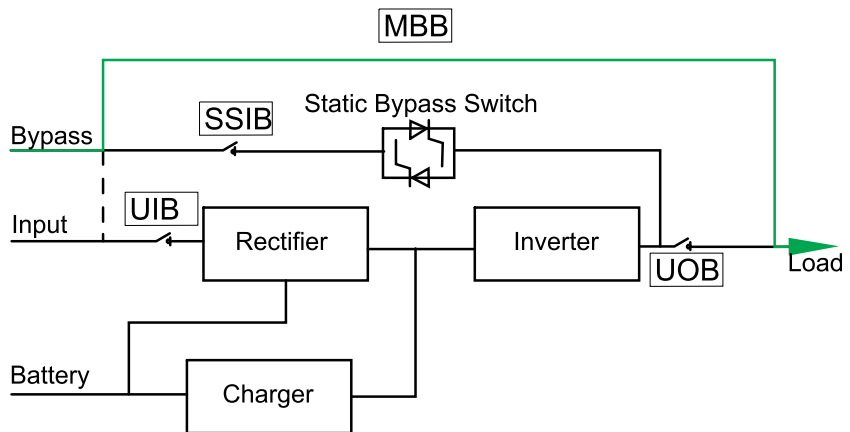
## Maintenance Bypass Mode

In maintenance bypass mode, the mains is sent via the (external) maintenance bypass breaker (MBB) to the load. Battery backup is not available in maintenance bypass mode.

**LED Status**



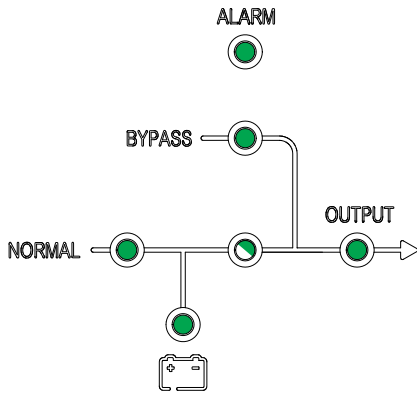
**Power Flow**



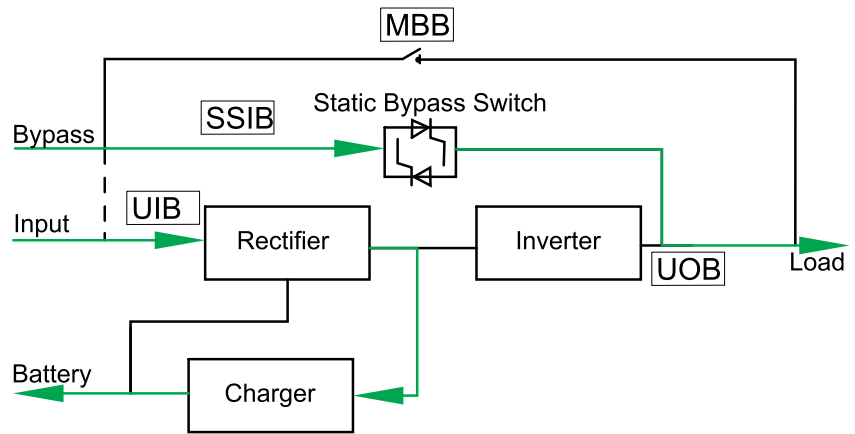
## ECO Mode

In ECO mode the UPS is configured to use static bypass mode as the preferred operation mode under predefined circumstances. The inverter is in standby in ECO mode and in case of interruption to the mains, the UPS transfers to battery mode and the load is supplied from the inverter.

**LED Status**



**Power Flow**



**Autostart Mode**

The batteries will reach end of discharge if the interruption to the mains is longer than the battery runtime. If the UPS is programmed to auto-restart after end of discharge, the system will automatically restart after a delay when the mains returns.

**NOTE:** If autostart is disabled, the inverter and bypass will not restart automatically when the mains return.

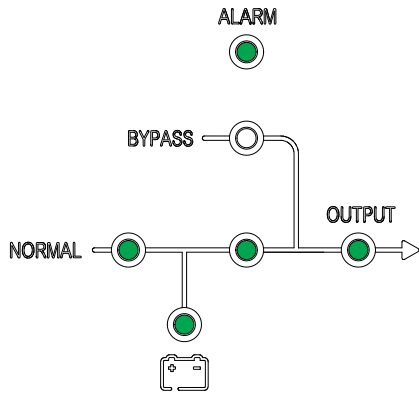
**Frequency Converter Mode**

In frequency converter mode, the UPS presents a stable output frequency (at 50 or 60 Hz) and the static bypass switch is not available.

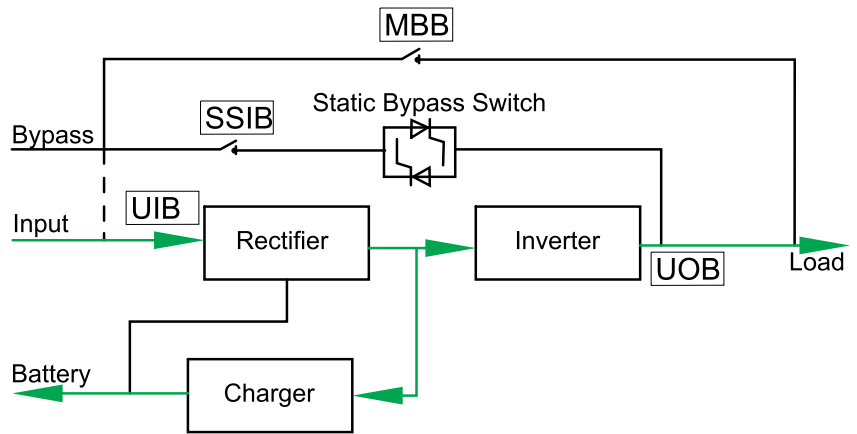
<b><i>NOTICE</i></b>
<p><b>RISK OF EQUIPMENT DAMAGE OR LOAD DROP</b></p> <p>In frequency converter mode the UPS cannot run in static bypass or maintenance bypass mode. Before turning the UPS into frequency converter mode, you must contact a Schneider Electric-certified partner to make sure</p> <ul style="list-style-type: none"> <li>• the static switch input breaker SSIB and the maintenance bypass breaker MBB are in the OFF (opened) position (Schneider Electric strongly recommends to lock these with a padlock available from Schneider Electric)</li> <li>• no cables are connected to the bypass terminals</li> </ul> <p><b>Failure to follow these instructions can result in equipment damage.</b></p>

<b><i>NOTICE</i></b>
<p><b>RISK OF LOAD DROP</b></p> <p>When the unit output breaker UOB is opened while the UPS is in frequency converter mode, the load will not be transferred, but will be dropped.</p> <p><b>Failure to follow these instructions can result in equipment damage.</b></p>

### LED Status



### Power Flow



# Operation Procedures

## Initial Start-Up of the UPS Using the Wizard – Only Applicable to Single UPSs with Internal Batteries

### **⚠ DANGER**

#### **HAZARD OF ELECTRIC SHOCK, EXPLOSION, OR ARC FLASH**

Parallel systems and UPSs for external batteries must only be started up by Schneider Electric.

**Failure to follow these instructions will result in death or serious injury.**

Before starting up the UPS, confirm that:

- The room temperature is between 0 °C to 40 °C
  - The UPS has been installed according to the specified clearance dimensions.
1. Turn the unit input breaker UIB to the ON (closed) position.  
The display turns on.
  2. Select to register the UPS or select **Skip** to continue. See *Register Your Easy UPS 3S*, page 32 for more information.
  3. When the **Change language** prompt appears, do one of the following:
    - Select **Yes** and select the preferred language using the navigation keys. Select **Yes** again to confirm.
    - Select **No** to keep the current selection.
  4. When the **Change voltage** prompt appears, do one of the following:
    - Select **Yes** and select the preferred voltage using the navigation keys. Select **Yes** again to confirm.
    - Select **No** to keep the current selection.
  5. When the **Change freq.** prompt appears, do one of the following:
    - Select **Yes** and select the preferred output frequency using the navigation keys. Select **Yes** again to confirm.
    - Select **No** to keep the current selection.
  6. When the **Change mode** prompt appears, do one of the following:
    - Select **Yes** and select **Normal mode**, **Parallel mode**, or **Frequency converter mode** using the navigation keys. Select **Yes** again to confirm.
    - Select **No** to keep the current selection.
  7. When the **Save new settings** prompt appears, select **Yes**.
  8. When the **Disable wizard** prompt appears, do one of the following:
    - Select **Yes** to disable the wizard and go to the default screen.  
**NOTE:** Schneider Electric recommends to disable the wizard to allow for automatic start.
    - Select **No** to go to the default screen without disabling the wizard.

**Post-requisite:** For systems with internal batteries, go to *Set the Battery Settings*, page 34.

## Start-Up Checklist – Only Applicable to Single UPSs with Internal Batteries

### ⚠ DANGER

#### HAZARD OF ELECTRIC SHOCK, EXPLOSION, OR ARC FLASH

Parallel systems and UPSs for external batteries must only be started up by Schneider Electric.

**Failure to follow these instructions will result in death or serious injury.**

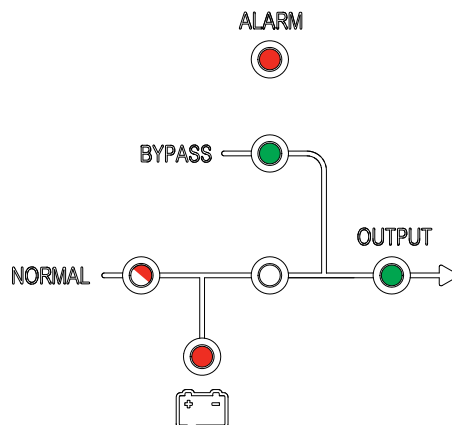
- I have positioned the UPS according to the installation manual and the recommended clearances are respected.
- I have verified that the environmental conditions including temperature, humidity, and airflow stated in the installation manual are respected.
- I have verified that the input voltage and frequency are within the tolerances specified in the installation manual.
- I have verified that the upstream protection is in accordance with the recommendations in the installation manual and that the power cables have been connected correctly.
- I have installed the batteries as specified in the installation manual.
- I have followed the *Initial Start-Up of the UPS Using the Wizard – Only Applicable to Single UPSs with Internal Batteries, page 21*.
- I have made all settings (including battery settings and life cycle monitoring) described in this manual.
- I have completed all functional tests successfully (normal mode, battery mode, and static bypass mode).
- I have successfully entered the UPS passcode provided by Schneider Electric.
- I confirm the installation has been completed and the UPS is running in normal mode and is powering the load.

## Start Up a Single UPS in Normal Mode

**NOTE:** When the UPS starts, the stored settings will be used.

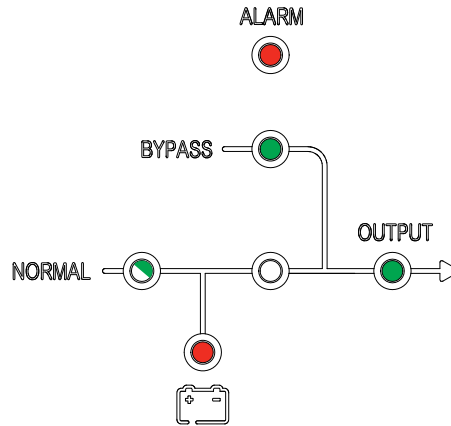
**NOTE:** The log can be accessed during start-up.

1. Check that all breakers are in the OFF (open) position.
2. Turn the static switch input breaker SSIB to the ON (closed) position.  
The display turns on and the Home screen is shown.
3. Turn the unit output breaker UOB to the ON (closed) position.  
Wait approximately 20 seconds until the bypass and output LEDs turn green.  
The UPS starts up in static bypass mode.



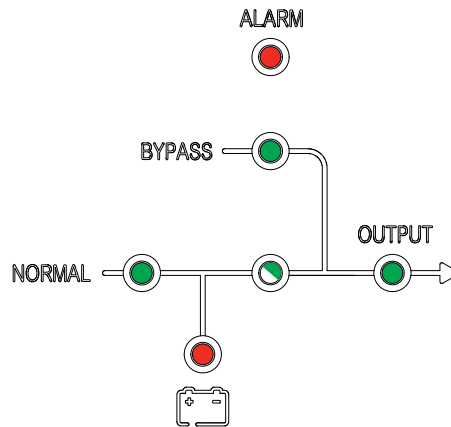
- Turn the unit input breaker UIB to the ON (closed) position.

The rectifier ramps up and the LEDs on the user interface show as follows:



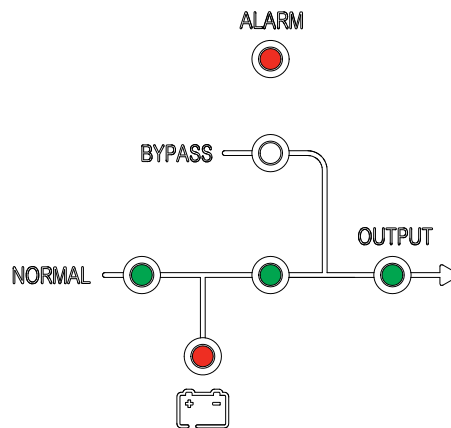
- When the rectifier LED turns steady green, the inverter synchronizes with bypass.

The LEDs on the user interface show as follows:



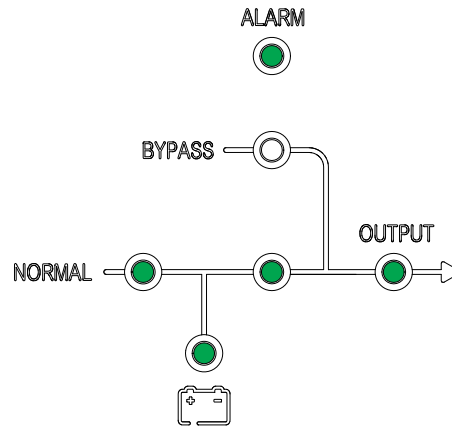
- Wait approximately 20 seconds until inverter LED turns steady green, the UPS transfers automatically from static bypass mode to normal mode.

The LEDs on the user interface show as follows:




- Turn the battery breaker(s) BB to the ON (closed) position.

The LEDs on the user interface show as follows:

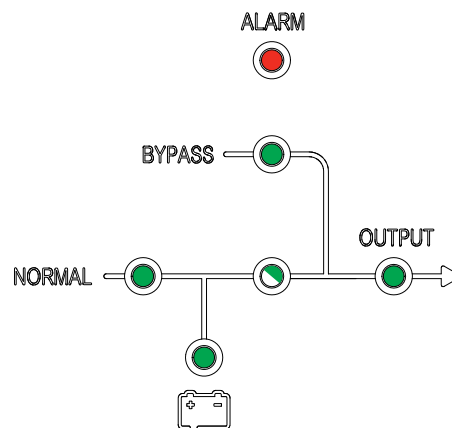


The UPS is now in normal mode.

## Transfer a Single UPS from Normal Mode to Static Bypass Mode

- On the display, select  and then select **Function > To bypass**.

The LEDs on the user interface show as follows:

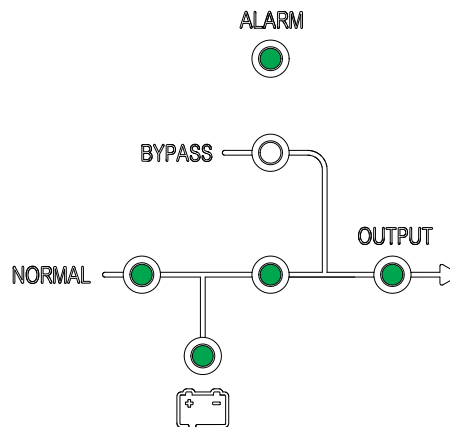


## Transfer a Single UPS from Static Bypass Mode to Normal Mode


**NOTE:** The UPS will normally transfer automatically from static bypass to normal mode. This procedure can be used to manually transfer to normal mode if the bypass frequency is above the specified limits.



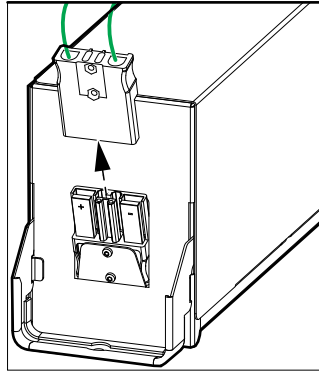
1. On the display, select  and then select **ESC bypass**.  
The LEDs on the user interface show as follows:



## Transfer a Single UPS from Normal Mode to Maintenance Bypass Mode

1. On the display, select  and then select **Function > To bypass**.
2. Remove the cover from the maintenance bypass breaker MBB. Refer to *Location of Breakers, page 13*.  
**NOTE:** When the cover of the MBB is removed, the system automatically transfers to maintenance bypass mode.
3. Turn the maintenance bypass breaker MBB to the ON (closed) position.  
The load is now supplied via the maintenance bypass breaker.
4. Turn the battery breaker(s) BB to the OFF (open) position.
5. Turn the unit input breaker UIB to the OFF (open) position.
6. Turn the static switch input breaker SSIB to the OFF (open) position.
7. Turn the unit output breaker UOB to the OFF (open) position.

8. For the UPS with internal batteries, disconnect all batteries on the front of the UPS.



## ⚠ DANGER

### HAZARD OF ELECTRICAL SHOCK, EXPLOSION OR ARC FLASH


- Wait at least 5 minutes before removing the cover of the UPS after the display has turned off to allow for the capacitors to fully discharged.
- Always measure for hazardous voltages on all terminals before working on the UPS.

**Failure to follow these instructions will result in death or serious injury.**

## Transfer a Single UPS from Maintenance Bypass Mode to Normal Mode

1. Check that all breakers are in the OFF (open) position.
2. Turn the static switch input breaker SSIB to the ON (closed) position.  
The display turns on and the Home screen is shown.
3. Turn the unit output breaker UOB to the ON (closed) position.  
The UPS starts up in static bypass mode.
4. Turn the unit input breaker UIB to the ON (closed) position.  
The rectifier ramps up.
5. When the rectifier LED turns steady green, the inverter synchronizes with bypass.
6. Turn the battery breaker(s) BB to the ON (closed) position.
7. Reinstall the cover on the maintenance bypass breaker MBB. Refer to *Location of Breakers, page 13*

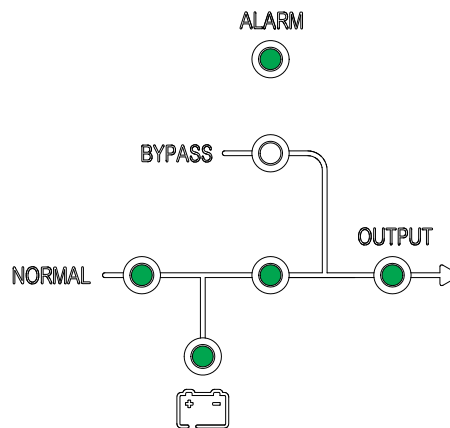
**NOTE:** The system will not transfer to normal mode before the maintenance bypass cover has been reinstalled.

8. On the display select  and then select **Function > Clear alarm**.

**NOTE:** The system will not transfer to normal mode before the maintenance bypass cover has been reinstalled and the alarm has been cleared.


9. After approximately 60 seconds, the UPS will automatically transfer to normal mode.

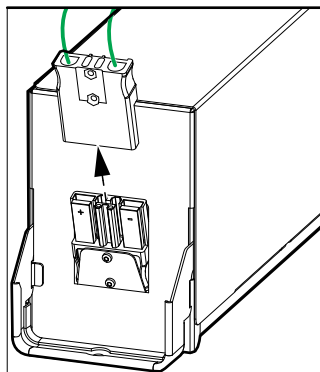
The LEDs on the user interface show as follows:



## Transfer a Parallel System from Normal Mode to Maintenance Bypass Mode



1. On all UPS displays, select  and then select **Function > To bypass**.  
The parallel system will transfer to static bypass mode.
2. Turn the external maintenance bypass breaker Ext. MBB to the ON (closed) position.  
The load is now supplied via the external maintenance bypass breaker.
3. Turn the battery breakers BB of all UPSs to the OFF (open) position.
4. Turn the mains input breakers MIB and the bypass input breakers BIB of all UPSs to the OFF (open) position.
5. Turn the system isolation breaker SIB to OFF (open) position.
6. For the UPS with internal batteries, disconnect all batteries on the front of the UPS.



### **⚠ DANGER**

#### **HAZARD OF ELECTRICAL SHOCK, EXPLOSION OR ARC FLASH**

- Wait at least 5 minutes before removing the cover of the UPS after the display has turned off to allow for the capacitors to fully discharged.
- Always measure for hazardous voltages on all terminals before working on the UPS.

**Failure to follow these instructions will result in death or serious injury.**

## Transfer a Parallel System from Maintenance Bypass Mode to Normal Mode

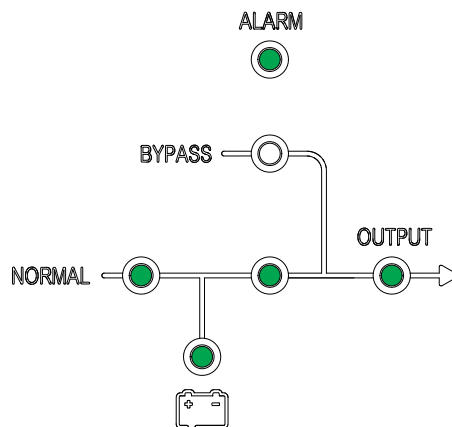
1. Check that:
  - all UPS breakers (unit input breaker UIB, static switch input breaker SSIB, and unit output breaker UOB) and the external unit output breaker Ext. UOB are in the ON (closed) position
  - the battery breakers BB are in the OFF (open) position
2. Turn the system isolation breaker SIB to ON (closed) position.
3. Turn the bypass input breakers BIB of all UPSs to the ON (closed) position.  
Wait approximately 20 seconds until the bypass and the output LEDs turn green.
4. Turn the external maintenance bypass breaker Ext. MBB to the OFF (open) position.

**NOTE:** If the parallel system has dry contacts with Maint CB signal, select



and then select **Function > Clear alarm** on all UPS displays.

5. Turn the mains input breakers MIB of all UPSs to the ON (closed) position.  
The rectifier ramps up.
6. When the rectifier LED turns steady green, the inverter synchronizes with bypass.
7. When the inverter LED turns steady green, the parallel system automatically transfers from static bypass to normal mode.
8. Turn the battery breakers BB of all UPSs to the ON (closed) position.  
The LEDs on the user interfaces show as follows:




The parallel system is now in normal mode.

## Isolate a Single UPS from the Parallel System

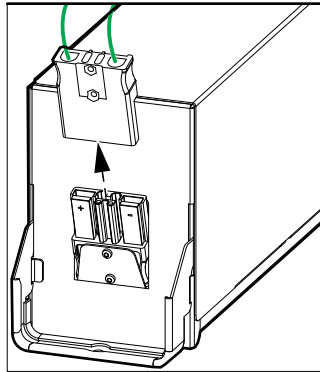
Use this procedure to shut down one UPS in a running parallel system.

**NOTE:** Before initiating this procedure, ensure that the remaining UPS units can supply the load.



1. On the display select  and then select confirm to power off the UPS.
2. Turn the battery breaker(s) BB of the UPS to the OFF (open) position.
3. Turn the mains input breaker MIB of the UPS to the OFF (open) position.

4. Turn the bypass input breaker BIB of the UPS to the OFF (open) position.
5. Turn the external unit output breaker Ext. UOB of the UPS to the OFF (open) position.
6. For the UPS with internal batteries, disconnect all batteries on the front of the UPS.



## **⚠ DANGER**

### **HAZARD OF ELECTRICAL SHOCK, EXPLOSION OR ARC FLASH**

- Wait at least 5 minutes before removing the cover of the UPS after the display has turned off to allow for the capacitors to fully discharged.
- Always measure for hazardous voltages on all terminals before working on the UPS.

**Failure to follow these instructions will result in death or serious injury.**

## **Start Up and Add a UPS to a Running Parallel System**

Use this procedure to start up a UPS and add it to a running parallel system.

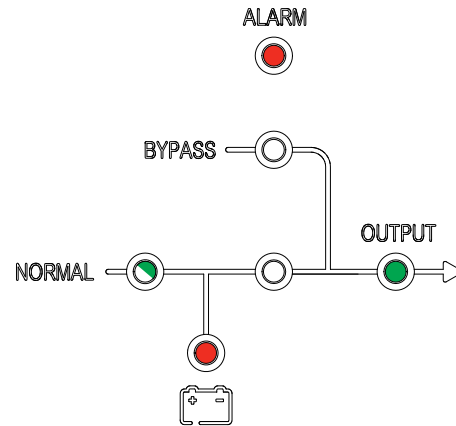
**IMPORTANT:** Before a UPS can be added to a parallel system, the parallel system must be configured by Schneider Electric.

1. On the new UPS check that:
  - all UPS breakers (unit input breaker UIB, static switch input breaker SSIB, and unit output breaker UOB) and the external unit output breaker Ext. UOB are in the ON (closed) position
  - the battery breaker(s) BB are in the OFF (open) position
2. Turn the external unit output breaker Ext. UOB of the UPS to the ON (closed) position.

- Turn the mains input breaker MIB and the bypass input breaker BIB of the UPS to the ON (closed) position.

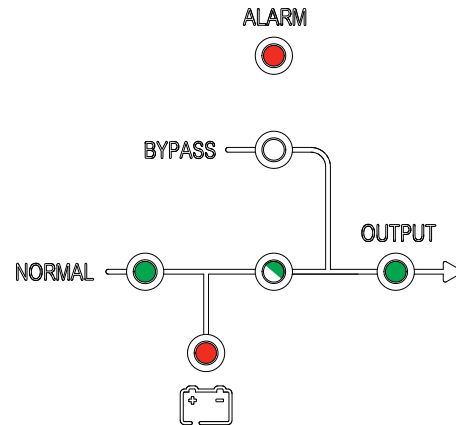
The display turns on and the Home screen is shown.

The LEDs on the user interface show as follows:



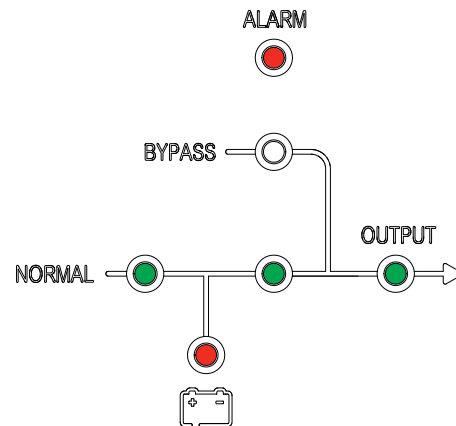
- When the rectifier LED turns steady green, the UPS transfers to static bypass mode.

The LEDs on the user interface show as follows:



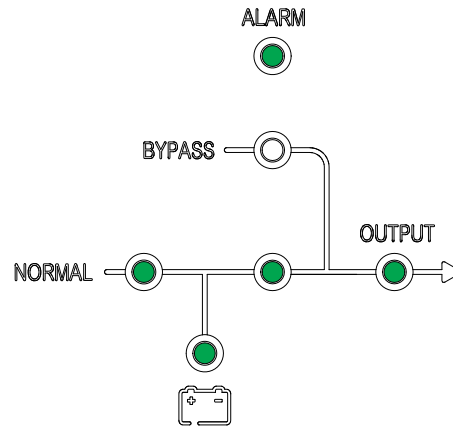
- When the inverter LED turns steady green, the UPS automatically transfers from static bypass to normal mode and joins the running parallel system.

The LEDs on the user interface show as follows:



- Turn the battery breaker(s) BB of the UPS to the ON (closed) position.

The LEDs on the user interface show as follows:



- Verify correct load sharing between the parallel UPS units.


# Configuration

## Register Your Easy UPS 3S

**NOTE:** The single Easy UPS 3S can also be registered using the mySchneider app which can be downloaded from App Store and Google Play.

1. When prompted for registration, go to [www.schneider-electric.com/contactsupport](http://www.schneider-electric.com/contactsupport) to find your local service contact number.




2. On the display, select  and then select **Register**<sup>1</sup>.
3. Call Schneider Electric and provide your four-digit activation code.
4. Type in the registration code provided by Schneider Electric.

Register	
Activation	XXXX
Registration code	<input type="text"/>
Register Later	

## Set the Display Language



1. On the display, select  and then select **Language**.
2. Select your language from the list:


<b>en:</b> English	<b>pt:</b> Portuguese Brazilian
<b>fr:</b> French	<b>ru:</b> Russian
<b>cn:</b> Simplified Chinese	<b>de:</b> German
<b>it:</b> Italian	<b>es:</b> European Spanish

1. You can also select **Register Later** to postpone your registration



## Set the Date and Time



1. On the display, select  and then select **Time**.
2. Set the date and time.

## Set the UPS Settings

### **NOTICE**

#### **RISK OF EQUIPMENT DAMAGE**

Only trained personnel following the required training course may undertake modifications to UPS system parameters.

**Failure to follow these instructions can result in equipment damage.**



1. On the display, select  and then select **Setting**.
2. Enter the password **3526**.

Back	←	Settings	⇒	Next
Enter password				
<input type="text" value="3526"/>				

3. Set the nominal input voltage (phase-neutral), the nominal output voltage (phase-neutral), and the nominal frequency.

Back	←	Settings	⇒	Next
Nom input PN		XXX		
Nom output PN		XXX		
Nom freq		XX		
Code		11776		

4. Restart the UPS to activate the settings.

## Set the Battery Settings


### NOTICE

#### RISK OF EQUIPMENT DAMAGE

- Only trained personnel following the required training course may undertake modifications to UPS system parameters.
- The battery parameters must set according to the actual installation before starting up the UPS.

**Failure to follow these instructions can result in equipment damage.**



1. On the display, select  and then select **Batt Settings**.
2. Enter the password **2334**.

Back	←	Batt Settings	⇒	Next
Enter password				
<input style="width: 60px; border: 1px solid black;" type="text" value="2334"/>				

3. Set the battery settings (refer to the section *Recommended Settings for UPSs with Internal Batteries and Modular Battery Cabinets*, page 35):
  - a. **Batt number**: Set the number of battery blocks in one battery string.
  - b. **Batt cap (AH)**: Set the battery capacity (battery block capacity (AH) x number of battery strings).<sup>2</sup>
  - c. **Batt charge %**: Set the battery charge percentage (between 1% and 20%).

Back	←	Batt Settings	⇒	Next						
<table> <tr> <td>Batt number</td> <td>XX</td> </tr> <tr> <td>Batt cap (AH)</td> <td>XXX</td> </tr> <tr> <td>Batt charge %</td> <td>XX</td> </tr> </table>					Batt number	XX	Batt cap (AH)	XXX	Batt charge %	XX
Batt number	XX									
Batt cap (AH)	XXX									
Batt charge %	XX									

2. In a 1+1 redundant parallel system with a common battery bank, insert half of the battery capacity in each UPS.

## Recommended Settings for UPSs with Internal Batteries and Modular Battery Cabinets

### 10 kVA UPS

Number of battery strings <sup>3</sup>	Settings with 7 Ah Batteries (E3SBT4) @ 0.1C			Settings with 9 Ah Batteries (E3SBTH4) @ 0.1C		
	Batt number	Batt cap (AH)	Batt charge %	Batt number	Batt cap (AH)	Batt charge %
1	40	7	4	40	9	5
2	80	14	8	80	18	10
3	120	21	12	120	27	15
4	160	28	16	160	36	20
5	200	35	20	200	45	20
6	240	42	20	240	54	20
7	280	49	20	280	63	20
8	320	56	20	320	72	20
9	360	63	20	360	81	20

### 15 kVA UPS

Number of battery strings <sup>3</sup>	Settings with 7 Ah Batteries (E3SBT4) @ 0.1C			Settings with 9 Ah Batteries (E3SBTH4) @ 0.1C		
	Batt number	Batt cap (AH)	Batt charge %	Batt number	Batt cap (AH)	Batt charge %
1	40	7	3	40	9	4
2	80	14	5	80	18	7
3	120	21	8	120	27	10
4	160	28	11	160	36	14
5	200	35	13	200	45	17
6	240	42	16	240	54	20
7	280	49	19	280	63	20
8	320	56	20	320	72	20
9	360	63	20	360	81	20
10	400	70	20	400	90	20
11	440	77	20	440	99	20
12	480	84	20	480	108	20
13	520	91	20	520	117	20
14	560	98	20	560	126	20
15	600	105	20	600	135	20

### 20 kVA UPS

Number of battery strings <sup>3</sup>	Settings with 7 Ah Batteries (E3SBT4) @ 0.1C			Settings with 9 Ah Batteries (E3SBTH4) @ 0.1C		
	Batt number	Batt cap (AH)	Batt charge %	Batt number	Batt cap (AH)	Batt charge %
1	40	7	2	40	9	3
2	80	14	4	80	18	5
3	120	21	6	120	27	8
4	160	28	8	160	36	10
5	200	35	10	200	45	13
6	240	42	12	240	54	15
7	280	49	14	280	63	18
8	320	56	16	320	72	20

3. Total number of battery strings in UPS and modular battery cabinet.

**20 kVA UPS (Continued)**

Number of battery strings <sup>4</sup>	Settings with 7 Ah Batteries (E3SBT4) @ 0.1C			Settings with 9 Ah Batteries (E3SBTH4) @ 0.1C		
	Batt number	Batt cap (AH)	Batt charge %	Batt number	Batt cap (AH)	Batt charge %
9	360	63	18	360	81	20
10	400	70	20	400	90	20
11	440	77	20	440	99	20
12	480	84	20	480	108	20
13	520	91	20	520	117	20
14	560	98	20	560	126	20
15	600	105	20	600	135	20

**30 kVA UPS**

Number of battery strings <sup>4</sup>	Settings with 7 Ah Batteries (E3SBT4) @ 0.1C			Settings with 9 Ah Batteries (E3SBTH4) @ 0.1C		
	Batt number	Batt cap (AH)	Batt charge %	Batt number	Batt cap (AH)	Batt charge %
1	40	7	2	40	9	2
2	80	14	3	80	18	4
3	120	21	4	120	27	5
4	160	28	6	160	36	7
5	200	35	7	200	45	9
6	240	42	8	240	54	10
7	280	49	10	280	63	12
8	320	56	11	320	72	14
9	360	63	12	360	81	16
10	400	70	13	400	90	17
11	440	77	15	440	99	19
12	480	84	16	480	108	20
13	520	91	17	520	117	20
14	560	98	19	560	126	20
15	600	105	20	600	135	20
16	640	112	20	640	144	20
17	680	119	20	680	153	20
18	720	126	20	720	162	20
19	760	133	20	760	171	20
20	800	140	20	800	180	20
21	840	147	20	840	189	20
22	880	154	20	880	198	20
23	920	161	20	920	207	20
24	960	168	20	960	216	20
25	1000	175	20	1000	225	20
26	1040	182	20	1040	234	20
27	1080	189	20	1080	243	20
28	1120	196	20	1120	252	20

4. Total number of battery strings in UPS and modular battery cabinet.

**40 kVA UPS**

Number of battery strings <sup>5</sup>	Settings with 7 Ah Batteries (E3SBT4) @ 0.1C			Settings with 9 Ah Batteries (E3SBTH4) @ 0.1C		
	Batt number	Batt cap (AH)	Batt charge %	Batt number	Batt cap (AH)	Batt charge %
1	40	7	1	40	9	2
2	80	14	2	80	18	3
3	120	21	3	120	27	4
4	160	28	4	160	36	5
5	200	35	5	200	45	7
6	240	42	6	240	54	8
7	280	49	7	280	63	9
8	320	56	8	320	72	11
9	360	63	9	360	81	12
10	400	70	10	400	90	13
11	440	77	11	440	99	14
12	480	84	12	480	108	16
13	520	91	13	520	117	17
14	560	98	14	560	126	18
15	600	105	15	600	135	19
16	640	112	16	640	144	20
17	680	119	17	680	153	20
18	720	126	18	720	162	20
19	760	133	19	760	171	20
20	800	140	20	800	180	20
21	840	147	20	840	189	20
22	880	154	20	880	198	20
23	920	161	20	920	207	20
24	960	168	20	960	216	20
25	1000	175	20	1000	225	20
26	1040	182	20	1040	234	20
27	1080	189	20	1080	243	20
28	1120	196	20	1120	252	20

## Set the Life Cycle Monitoring

### **NOTICE**

#### **RISK OF EQUIPMENT DAMAGE**

Only trained personnel following the required training course may undertake modifications to UPS system parameters.

**Failure to follow these instructions can result in equipment damage.**



1. On the display, select  and then select **LCM Set**.

<sup>5</sup> Total number of battery strings in UPS and modular battery cabinet.

2. Enter the password **1203**.

Back ←	LCM SET	⇒ Next
Enter password		
1203		

## 3. You now have the following options:

Back ←	LCM SET	⇒ Next
Clear reminders		
Reset dust filter time		
Set dust filter expiration:		
XX months		

- Select **Clear reminders** to deactivate the reminders **Technical check recommended** and **Warranty expiring soon**.
- Select **Reset dust filter time** to reset the dust filter counter after dust filter replacement.
- Select **Set dust filter expiration** to set the service life of the dust filter.

## Settings

Setting	Default Value	Available Settings
LCD contrast	60	0 to 100
Date and Time	05/07/2013 08:55:55	Year > 2000
Language	English	Chinese simplified, English, Italian, German, Russian, Spanish, Portuguese Brazilian, and French
Input voltage	400 V	380 V/400 V/415 V
Bypass voltage	400 V for 3:3 UPSs 230 V for 3:1 UPSs	380 V/400 V/415 V for 3:3 UPSs 220 V/230 V/240 V for 3:1 UPSs
Input frequency	50 Hz	60 Hz
Output voltage	400 V for 3:3 UPSs 230 V for 3:1 UPSs	380 V/400 V/415 V for 3:3 UPSs 220 V/230 V/240 V for 3:1 UPSs
Output frequency	50 Hz	60 Hz
Output phase	3 for 3:3 UPSs 1 for 3:1 UPSs	3/1
Auto boost	disable	enable
Auto maint	disable	enable
System mode	single	parallel/ECO/parallel ECO/self aging
United number	1	1 to 4
System ID	0	0 to 3

Setting	Default Value	Available Settings
Adjusted output voltage	400 V for 3:3 UPSs 230 V for 3:1 UPSs	Output voltage $\pm 10$ V
Frequency slew rate	2 Hz/s	0.1 to 5.0 Hz/s
Frequency synchronization window	3 Hz	0.5 to 5.0 Hz
Monochrome LCD time (min)	10	1/3/5/10/20/30
Bypass voltage upper limit (%)	15	10/20/25
Bypass voltage lower limit (%)	-20	-10/-15/-30/-40
Bypass frequency limited (Hz)	$\pm 5$	$\pm 1/\pm 3/\pm 5$
System restart mode after end of discharge	Normal	bypass only/ no output
Fan maintenance period	34560 hours (48 months)	0 to 60000 hours
DC capacitor maintenance period	34560 hours (48 months)	0 to 60000 hours
warranty period	9 months	1 to 36 months
AC capacitor maintenance period	120 months	60 to 120 months
APS maintenance period	84 months	36 to 120 months
Dust filter maintenance period	3 months	0/3/4/5/12 months
Battery maintenance period	1440 days (48 months)	100 to 3000 days
Battery number	32 for UPSs for external batteries 40 for UPSs with internal batteries	32/34/36/38/40
Battery AH	1	1 to 30000
Float charge voltage/cell (V)	2.25	2.10 to 2.35
Boost charge voltage/cell (V)	2.25	2.20 to 2.45
End of discharge voltage/cell, at 0.6 C current (V)	1.65	1.50 to 1.85
End of discharge voltage/cell, at 0.15 C current (V)	1.75	1.55 to 1.90
Charge current percent limit (%)	10	1 to 20
Battery temperature compensation	0	0 to 5 mV/°C
Boost charge time limit	12 hours	1 to 48 hours
Auto boost period	2160 hours (3 months)	720 to 30000 hours, available when auto boost is enabled
Auto maintenance discharge period	6480 hours (9 months)	720 to 30000 hours, available when auto maintenance is enabled
Critical battery temperature	45 °C	25 °C to 70 °C
Critical ambient temperature	40 °C	25 °C to 70 °C

# Tests

## Perform a Battery Maintenance Test

Prerequisite:

- The bypass supply must be within specifications.
- The battery capacity must be above 25%.

The battery maintenance test is used to test the condition of the batteries.

During the battery maintenance test, the system transfers to battery mode and discharges the batteries until the battery low voltage alarm is reached.



1. On the display, select  and then select **Maint test**.

**NOTE:** If you wish to manually stop the battery test, select **Stop test**.

If the battery maintenance test is passed, **Battery maintenance OK** will be recorded in the log. If the battery maintenance test is not passed, **Batt maint incomplete** will be recorded in the log.

## Perform a Battery Test

The purpose of the battery test to verify the connection of the batteries and to check the battery capacity.

Prerequisite:

- The bypass supply must be within specifications.
- The battery capacity must be above 25%.
- The battery voltage must be above 95% of the float voltage.

During the battery test, the system transfers to battery mode for approximately 30 seconds and then returns to normal mode.



1. On the display, select  and then select **Battery test**.



# Maintenance

## Parts Replacement

### Determine if you need a Replacement Part

To determine if you need a replacement part, contact Schneider Electric and follow the procedure below so that the representative can assist you promptly:

1. In the event of an alarm condition, scroll through the alarm lists, record the information, and provide it to the representative.
2. Write down the serial number of the unit so that you will have it easily accessible when you contact Schneider Electric.
3. If possible, call Schneider Electric from a telephone that is within reach of the display so that you can gather and report additional information to the representative.
4. Be prepared to provide a detailed description of the problem. A representative will help you solve the problem over the telephone, if possible, or will assign a return material authorization (RMA) number to you. If a module is returned to Schneider Electric, this RMA number must be clearly printed on the outside of the package.
5. If the unit is within the warranty period and has been started up by Schneider Electric, repairs or replacements will be performed free of charge. If it is not within the warranty period, there will be a charge.
6. If the unit is covered by a Schneider Electric service contract, have the contract available to provide information to the representative.

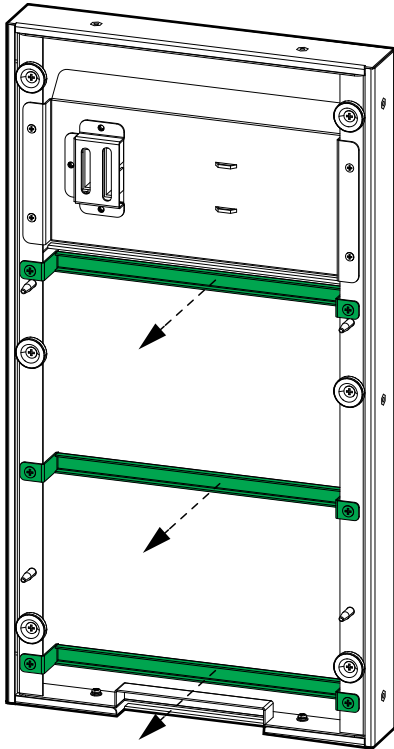
### Replace the Dust Filter

1. Lift the front panel free of the UPS cabinet.

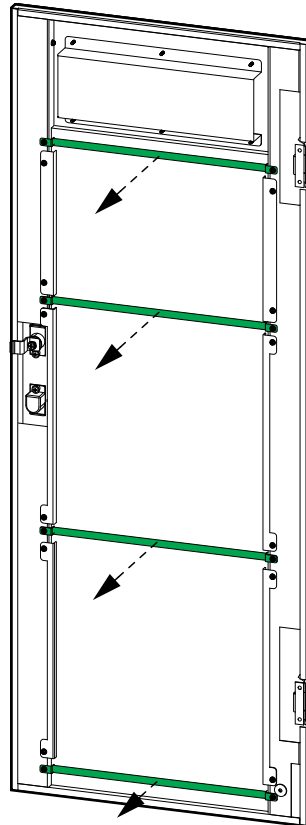
**NOTE:** Be careful not to disconnect the cable on the rear side of the front panel.

2. Loosen the screws and remove the metal brackets.

UPS for External Batteries

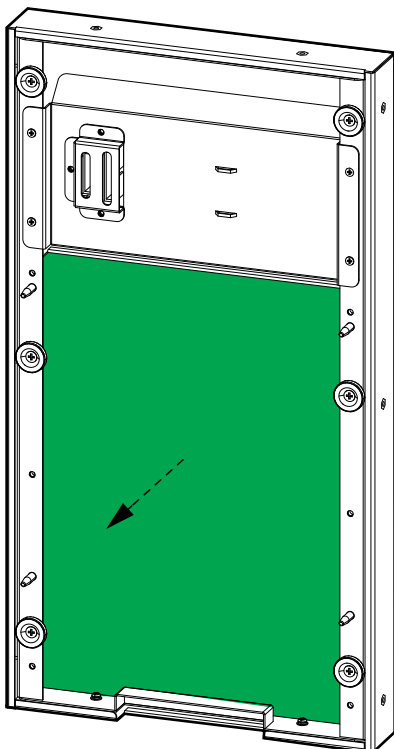


UPS with Internal Batteries

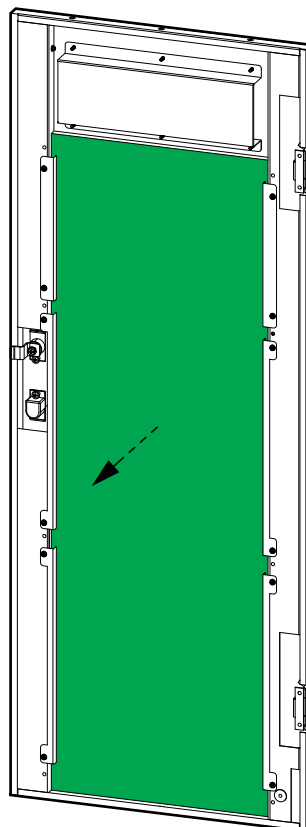


3. Replace the dust filter.

UPS for External Batteries






UPS with Internal Batteries



4. Reinstall the metal brackets and fasten with the screws.
5. Reinstall the front panel.
6. Reset the dust filter time in the display. See *Set the Life Cycle Monitoring*, page 37 for more information.

# Troubleshooting

## View the Active Alarms

1. On the display select .  
See *Status and Alarm Messages*, page 44 for a list of alarm messages and corrective actions.
2. Use  and  to go through the list of active alarms.

## Buzzer

**NOTE:** The buzzer turns on as soon as an alarm condition is detected. The buzzer makes two short beeps and a long beep for general system alarms. The buzzer makes a continuous beep for critical alarms. It can be turned off by

selecting  on the home screen.

## Status and Alarm Messages

This section lists status and alarm messages from the display. The display messages are listed in alphabetical order, and a suggested corrective action is listed with the display alarm message to help you troubleshoot problems.

Display text	Description	Corrective action
<b>Battery boost charging</b>	The batteries are charged with the configured boost charge voltage.	
<b>Battery connected</b>	The batteries are connected.	
<b>Battery discharging</b>	The load is drawing more power than the UPS can draw from the input, causing the UPS to draw power from the batteries.	Reduce the load. Please contact Schneider Electric.
<b>Battery disconnected</b>	The batteries are not connected.	Connect the batteries.
<b>Battery expired</b>	The battery service life has expired.	Replace the battery.
<b>Battery end of discharge</b>	The battery capacity is below the minimum acceptable value.	Recharge the batteries.
<b>Battery float charging</b>	The batteries are charged with the configured float charge voltage.	
<b>Battery log reset</b>	Reset the battery log.	
<b>Batt maint incomplete</b>	The battery maintenance test was not passed.	
<b>Battery maintenance</b>	Start the battery maintenance test.	
<b>Battery maintenance OK</b>	The battery maintenance test has been successfully completed.	
<b>Battery temperature high</b>	The battery temperature is too high.	Check the battery temperature.
<b>Battery test</b>	Start the battery test.	

Display text	Description	Corrective action
<b>Battery test incomplete</b>	The battery test was not passed.	
<b>Battery test OK</b>	The battery test has been successfully completed.	
<b>Battery voltage low</b>	Low voltage on battery.	Check the battery.
<b>Battery wiring incorrect</b>	The battery wiring is incorrect.	Check the battery wiring. Please contact Schneider Electric.
<b>Battery/charger inoperable</b>	The battery or charger is inoperable.	Check the battery. Check the charger. Please contact Schneider Electric.
<b>Byp freq exceeds limits</b>	The bypass frequency exceeds the limit.	Check the status of the bypass source. Please contact Schneider Electric.
<b>Bypass fan inoperable</b>	The UPS has one or more inoperable fans.	Check the fans.
<b>Bypass fan time reset</b>	Reset the service life timer for the fan.	
<b>Bypass out of tolerance</b>	The bypass voltage is out of tolerance.	Check the status of the bypass source. Please contact Schneider Electric.
<b>Bypass overload</b>	The load is drawing more power than the bypass source can supply.	Reduce the load. Please contact Schneider Electric.
<b>Bypass overload timeout</b>	The UPS can no longer sustain a <b>Bypass overload</b> situation.	Reduce the load. Please contact Schneider Electric.
<b>Bypass sequence incorrect</b>	The phase rotation on bypass is incorrect.	Check the status of the bypass source. Please contact Schneider Electric.
<b>Bypass unavailable</b>	The bypass source is not available.	Check the status of the bypass source. Please contact Schneider Electric.
<b>Capacitor expired</b>	Capacitor service life has expired.	Replace the capacitor.
<b>Capacitor time reset</b>	Capacitor service life timer has been reset.	
<b>Clear log</b>	Clear the log.	
<b>DC bus overvoltage</b>	Overvoltage on the DC bus.	
<b>Dust filter expired</b>	The dust filter service life has expired.	<i>Replace the Dust Filter, page 41.</i>
<b>EPO</b>	An EPO (emergency power off) device is activated.	Deactivate the EPO (emergency power off) device.
<b>Fan expired</b>	Fan service life has expired.	Replace the fan.
<b>Fan inoperable</b>	The UPS has one or more inoperable fans.	Check the fans. Please contact Schneider Electric.
<b>Fan time reset</b>	The fan service life timer has been reset.	
<b>Firmware incompatible</b>	The firmware is detected as incompatible with the rest of the system.	Perform a firmware update.
<b>Generator input</b>	Generator is supplying the UPS.	
<b>Inhibit transfer to inv.</b>	Inhibit transfer to inverter operation.	

Display text	Description	Corrective action
<b>Inlet temperature high</b>	Air inlet temperature is too high.	Check the status of the air inlet. Reduce the room temperature.
<b>Inlet/outlet temp</b>	Air inlet and outlet temperature.	
<b>Input current unbalanced</b>	Input current is unbalanced.	Check the status of the input source. Please contact Schneider Electric.
<b>Input neutral unavailable</b>	Input neutral is not available.	Check the status of the input neutral. Please contact Schneider Electric.
<b>Input out of tolerance</b>	The input voltage is out of tolerance.	Check the status of the input source. Please contact Schneider Electric.
<b>Input overcurrent timeout</b>	The UPS can no longer sustain an <b>Input overcurrent</b> situation.	Check the status of the input source. Please contact Schneider Electric.
<b>Input SCR fan inoperable</b>	Input SCR fan is inoperable.	Check the status of the input SCR fan. Please contact Schneider Electric.
<b>Input SCR temp high</b>	Input SCR temperature is too high.	Check the status of the input SCR fan. Please contact Schneider Electric.
<b>Inverter high temp</b>	Inverter temperature is too high.	Check the status of the inverter. Please contact Schneider Electric.
<b>Inverter IGBT inoperable</b>	The inverter IGBT is inoperable.	Check the status of the inverter IGBT. Please contact Schneider Electric.
<b>Inverter inoperable</b>	The inverter is inoperable.	Check the status of the inverter. Please contact Schneider Electric.
<b>Inverter overload timeout</b>	The UPS can no longer sustain an <b>Inverter overload</b> situation.	Check the status of the inverter. Please contact Schneider Electric.
<b>Inverter shutdown</b>	The inverter is shutting down.	
<b>Inv DATA CAN incorrect</b>	Inverter DATA CAN is incorrect.	
<b>Inv IO CAN incorrect</b>	Inverter IO CAN is incorrect.	
<b>Load on bypass</b>	The UPS is in static bypass mode and the load is supplied by the bypass source.	
<b>Load disconnected</b>	The load has been disconnected or the unit output breaker UOB is open.	Check the load. Close the unit output breaker UOB.
<b>Load on inverter</b>	The UPS is in inverter operation mode and the load is supplied by the UPS.	
<b>Low battery shutdown</b>	The UPS is shutting down due to battery end of discharge	Recharge the batteries and restart the UPS. If auto-restart mode is configured, the UPS will start automatically restart when the mains return.
<b>Man. transfer to inverter</b>	Manual transfer to inverter operation.	
<b>Manual shutdown</b>	Manual shutdown.	
<b>MBB closed</b>	The maintenance bypass breaker MBB is closed, supplying the load	

Display text	Description	Corrective action
	with unprotected power from the bypass source.	
<b>MBB open</b>	The maintenance bypass breaker is open.	
<b>Module ID duplicate</b>	The module ID has a duplicate. The module ID must be unique.	Check the ID of the modules.
<b>No inlet temp sensor</b>	No inlet temperature sensor present.	Check the status of the inlet temperature sensor.
<b>No input temp sensor</b>	No input temperature sensor present.	Check the status of the input temperature sensor.
<b>No outlet temp sensor</b>	No outlet temperature sensor present.	Check the status of the outlet temperature sensor.
<b>Nom power out of tolerance</b>	Input is out of tolerance	Check the status of the input source. Please contact Schneider Electric.
<b>Outlet temperature high</b>	Air outlet temperature is too high.	Check the status of the air outlet. Please contact Schneider Electric.
<b>Output short circuit</b>	A short circuit is present on the output.	Check the status of the output. Please contact Schneider Electric.
<b>Output overload</b>	The load is drawing more power than the UPS system can supply.	Reduce the load. Contact Schneider Electric.
<b>Parallel cabling incorrect</b>	The parallel cabling is incorrect.	Check the status of the parallel cables. Please contact Schneider Electric.
<b>Power sharing incorrect</b>	The power sharing between the UPS units is incorrect.	Please check the load sharing on the UPS units. Redistribute the load between UPS units. Please contact Schneider Electric.
<b>PWM sync unavailable</b>	The PWM synchronization is unavailable.	Check the status of the PWM sync. Please contact Schneider Electric.
<b>Rec soft start unavailable</b>	The rectifier soft start is unavailable.	Check the status of the rectifier. Please contact Schneider Electric.
<b>Rectifier high temp</b>	The rectifier temperature is too high.	Check the status of the rectifier. Please contact Schneider Electric.
<b>Rectifier inoperable</b>	The rectifier is inoperable.	Check the status of the rectifier. Please contact Schneider Electric.
<b>Relay disconnected</b>	A relay is disconnected.	Check the status of the relays. Please contact Schneider Electric.
<b>Relay short-circuit</b>	A relay has short-circuited.	Check the status of the relays. Please contact Schneider Electric.
<b>Room temp high</b>	The room temperature is high.	Reduce the room temperature.
<b>Shutdown</b>	UPS shutdown.	
<b>Signal cable disconnect</b>	Signal cable is disconnected.	Check the signal cable.
<b>Sync pulse unavailable</b>	Sync pulse is unavailable. The UPS is not able to synchronize.	Check the sync pulse. Please contact Schneider Electric.
<b>System overload</b>	The load is drawing more power than the UPS system can supply.	Reduce the load. Contact Schneider Electric.
<b>System setting incorrect</b>	The system settings are incorrect.	Check the system settings. Contact Schneider Electric.

<b>Display text</b>	<b>Description</b>	<b>Corrective action</b>
<b>Technical check recommended</b>	A technical check is recommended.	Contact Schneider Electric.
<b>Transfer to bypass</b>	Transfer the UPS to static bypass mode.	
<b>Transfer to inverter</b>	Transfer the UPS to inverter operation.	
<b>Transfers exceed limits</b>	There have been too many transfers between operation modes in a given time period.	Contact Schneider Electric.
<b>Warranty expiring soon</b>	Warranty is expiring soon.	Contact Schneider Electric.









Schneider Electric  
35 rue Joseph Monier  
92500 Rueil Malmaison  
France

+ 33 (0) 1 41 29 70 00

[www.schneider-electric.com](http://www.schneider-electric.com)

As standards, specifications, and design change from time to time,  
please ask for confirmation of the information given in this publication.

© 2017 – 2019 Schneider Electric. All rights reserved.

990-91079D-001