

USB HDMI HDBaseT™ 2.0 KVM Extender (4K @ 100 m)

CE820

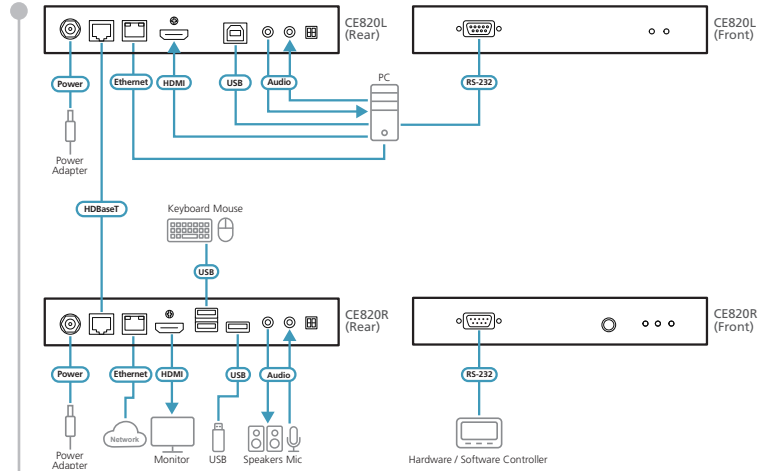
The ATEN CE820 USB HDMI HDBaseT™ 2.0 KVM Extender integrates the latest HDBaseT 2.0 technologies to deliver 4K HDMI video, stereo audio, USB, Ethernet, and RS-232 signals up to 100 meters using single Cat 6 / 2L-2910 Cat 6 cable. The HDBaseT 2.0 guarantees the most reliable transmissions on the market as well as enables the long-reach capability that extends full HD 1080P signals up to 150 meters. With an easy cable installation supporting various signals, the CE820 is ideal for applications where convenient remote access is required – such as transportation control centers, medical facilities, industrial warehouses, and extended workstations.



Features

- Supports HDBaseT 2.0 technology
 - Extends video, audio, USB, RS-232, and Ethernet signals via a single Cat6 / 6a / 2L-2910 Cat 6 cable
 - Enhanced bit error detection and correction to resist signal interference during high-quality video transmissions
 - Status detection and LED indication for HDBaseT signal transmission on remote unit
- EDID Buffer for smooth power-up and the highest quality display
- HDMI (3D, Deep Color, 1080P, 4K); HDCP 2.2 Compatible
- Long distance with superior video quality
 - HDBaseT Standard mode up to 4K @ 100 m (Cat 6 / 6a / 2L-2910)
 - HDBaseT Long-Reach mode up to 1080P @ 150 m
- Long-Reach mode switch – switches between HDBaseT Standard and Long-Reach modes in a snap
- USB 2.0 full speed ports – ensure fast transmission speeds for peripherals
- Supports individual 2-channel stereo audio for high-quality audio applications
- Supports PC wakeup function via single pushbutton through RS-232 channel*
- Built-in 8 KV / 15 KV ESD protection (Contact voltage 8 KV; Air voltage 15 KV)

* The computer has to support Wake Up Ring for this function to work



* The Ethernet port is functional for device supporting the Ethernet port only.

Specifications

	CE820L	CE820R
Connectors		
Console Ports	N/A	1 x HDMI Female (Black) 3 x USB Type-A Female 1 x Mini Stereo Jack Female (Green) 1 x Mini Stereo Jack Female (Pink) 1 x RJ-45 Female (Black) Note: The RJ-45 ports is functional for device supporting the Ethernet port only.
KVM Ports	1 x HDMI Female (Black) 1 x USB Type-B Female (White) 1 x Mini Stereo Jack Female (Green) 1 x Mini Stereo Jack Female (Pink) 1 x RJ-45 Female (Black) Note: The RJ-45 ports is functional for device supporting the Ethernet port only.	N/A
RS-232	1 x DB-9 Female (Black)	1 x DB-9 Male (Black)
Power	1 x DC Jack with locking	
Unit To Unit	1 x RJ-45 Female (Black)	
LEDs		
Power	1 (Green)	
Link	1 (Orange)	
Video Output	N/A	1 (Orange)
Switches		
Long Reach Mode Switch	1 x Slide Switch	
Firmware Upgrade	1 x Slide Switch	
Pushbuttons		
Wakeup button	N/A	1 x Push button
Video	Up to 4K @ 90m (Cat 5e) / 100m (Cat 6 / 6a / ATEN 2L-2910 Cat 6) 1080P @ 100m (Cat 5e / 6 / 6a) *4K supported: 4096 x 2160 / 3840 x 2160 @ 60Hz (4:2:0); 4096 x 2160 / 3840 x 2160 @ 30Hz (4:4:4)	
Power Consumption	DC 5 V: 2.87 W	DC 5 V: 5.37 W
Environmental		
Operating Temperature	0 - 40 °C	
Storage Temperature	-20 - 60 °C	
Humidity	0 - 80% RH, Non-condensing	
Physical Properties		
Housing	Metal	
Weight	0.63 kg	0.65 kg
Dimensions (L x W x H)	18.20 x 12.19 x 2.87 cm	

Note: The CE820-AT supports Ethernet function and the CE820-ATA does not.

ATEN International Co., Ltd.

3F., No.125, Sec. 2, Datung Rd., Sijhih District., New Taipei City 221, Taiwan
Phone: 886-2-8692-6789 Fax: 886-2-8692-6767
www.aten.com E-mail: marketing@aten.com

Product information is subject to change without prior notice.

Released: 03/2022 V4.0

© Copyright 2022 ATEN® International Co. Ltd.
ATEN and the ATEN logo are registered trademarks of ATEN International Co., Ltd. All rights reserved. All other trademarks are the property of their respective owners. The terms HDMI, HDMI High-Definition Multimedia Interface, and the HDMI Logo are trademarks or registered trademarks of HDMI Licensing Administrator, Inc.

