

WCS Series Power Supply

24 VAC POWER SUPPLY, OUTDOOR

Product Features

- 4 A or 20 A Capacities
- 1–4 Outputs
- Selectable Input Voltage
- 24 VAC Output or 28 VAC Output for Longer Wire Runs
- Meets NEMA Type 4X/IP66 Standards for Weatherproof Enclosure
- AC Power Indicator with Power On/Off Switch
- Compatible with Cameras, Domes, and Pan/Tilts
- WCS4-20B Has Class 2 Rated Outputs



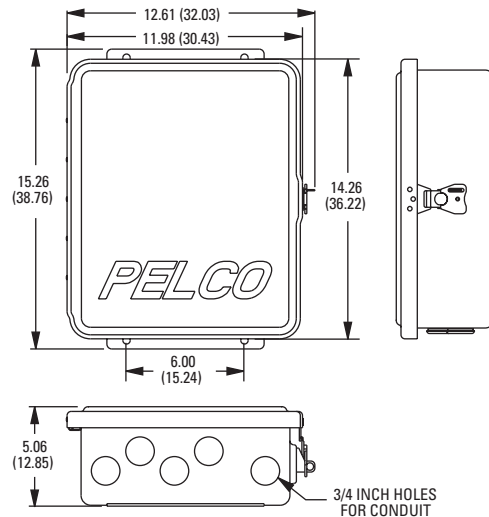
WCS4-20/WCS4-20B

Power supplies in the **WCS Series** offer a variety of configurations for powering up to four outdoor units from a single power source.

The power supplies provide 24 VAC output for 1–4 units, depending on the model selected. To compensate for voltage losses over long wire runs, 28 VAC outputs are available on all models. The input voltage of all models is also selectable.

For integrated systems such as Spectra® and Esprit®, the power supplies are capable of handling pan/tilt, heater, and blower operation in addition to the camera.

The **WCS1-4** has one fused output and is capable of handling up to 4 A (100 VA) of total load. The WCS4-20 has four fused outputs and is capable of handling up to 20 A (480 VA) of total load. The **WCS4-20B** has four protected outputs with self-resetting circuit breakers and is capable of handling up to 12 A (288 VA) of total load. Fuses provide a greater degree of protection for the unit because they are faster acting and more precise. Circuit breakers will self-reset when the fault is corrected, eliminating the need for replacing fuses. However, the amount of current required to trip a circuit breaker can vary as much as 100 percent, depending on temperature. In the fused models, the values of fuses can be changed depending upon the specific current requirements of the equipment connected.



NOTE: VALUES IN PARENTHESES ARE CENTIMETERS; ALL OTHERS ARE



by Schneider Electric

International Standards
Organization Registered Firm;
ISO 9001 Quality System



C654 / REVISED 11-4-10

TECHNICAL SPECIFICATIONS

MODELS

| | |
|----------|---|
| WCS1-4 | Outdoor camera power supply, 100/120/240 VAC input. One 24/26/28 VAC output, total current capacity of 4 A (100 VA). |
| WCS4-20 | Outdoor multiple camera power supply, 120/240 VAC input. Four fused 24/28 VAC outputs, total current capacity of 20 A (480 VA). |
| WCS4-20B | Outdoor multiple camera power supply, 120/240 VAC input. Four protected 24/28 VAC outputs, total current capacity of 12 A (288 VA) with circuit breakers. |

Product Capacity Chart

A partial list of compatible products and the number of units that may be powered by each power supply are listed below. Capacity is based on the VA rating of each product to be used with the power supply.

| Product | Power Supply Model | | |
|-------------------------|--------------------|---------------------|----------------------|
| | WCS1-4 (100 VA) | WCS4-20 (480 VA) | WCS4-20B (288 VA) |
| CCD Camera (12 VA max) | 1 | 4 | 4 |
| Indoor Spectra (25 VA) | 1 | 4 | 4 |
| Outdoor Spectra (70 VA) | 1 | 4 | 4 |
| Outdoor DF5 (62 VA) | 1 | 4 | 4 |
| Esprit (70 VA) | 1 | 4 | 4 |

MECHANICAL

| | |
|-------------|---|
| Cable Entry | Hole plugs for 0.75-inch (1.9 cm) conduit |
| Latch | Stainless steel link-lock latch; can be secured with padlock (not supplied) |

ELECTRICAL

| | |
|--------------------------------|--|
| Input Voltage | WCS1-4 100/120/240 VAC, 50/60 Hz |
| | WCS4-20/WCS4-20B 120 or 240 VAC, 50/60 Hz |
| Output Voltage | WCS1-4 24/26/28 VAC |
| | WCS4-20, WCS4-20B 24/28 VAC |
| Required Input Current | WCS1-4 1 A |
| | WCS4-20/WCS4-20B 4.40/2.30 A |
| Output Fuse Ratings | WCS1-4 4 A* |
| | WCS4-20 8 A* |
| Output Circuit Breaker Ratings | WCS4-20B 3A* |
| Input Connectors | Screw-type barrier strips |
| Output Connectors | Screw-type barrier strips; WCS4-20B is suitable for Class 2 wiring |
| Input Wire Size | 12–16 gauge solid wire |
| Output Wire Size | WCS1-4 16–20 gauge solid or stranded wire |
| | WCS4-20/-20B 16–22 gauge solid or stranded wire |

GENERAL

| | |
|-----------------|---|
| Environment | Outdoor |
| Operating Range | –50° to 122°F (–45.56° to 50°C) |
| Construction | Aluminum |
| Finish | Gray polyester powder coat |
| Weight | Unit Shipping |
| | WCS1-4 6.8 lb (3.1 kg) 8 lb (3.6 kg) |
| | WCS4-20/4-20B 16.2 lb (7.3 kg) 18 lb (8.1 kg) |

*Individual output cannot exceed this rating, and the total of all outputs cannot exceed the overall rating of the power supply (refer to *Models*).

Pelco, Inc. Worldwide Headquarters:

3500 Pelco Way, Clovis, California 93612-5699 USA

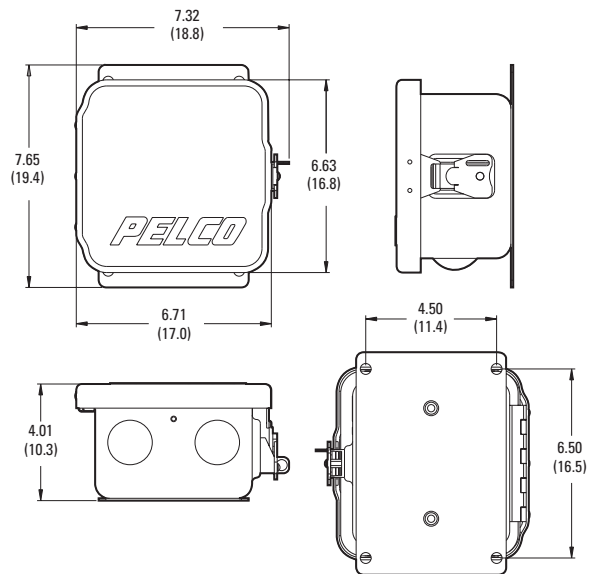
USA & Canada Tel: (800) 289-9100 • FAX: (800) 289-9150

International Tel: +1 (559) 292-1981 • FAX: +1 (559) 348-1120

www.pelco.com



WCS1-4 POWER SUPPLY



NOTE: VALUES IN PARENTHESES ARE CENTIMETERS; ALL OTHERS ARE INCHES.

The following are the recommended maximum distances (transformer to load) and are calculated with a 10 percent voltage drop. (Ten percent is generally the maximum allowable voltage drop for AC-powered devices.) Distances are calculated in feet; values in parentheses are meters.

Recommended Wiring Distance Chart

| Input Voltage | Total VA Consumed | Wire Gauge | | | | | |
|---------------|-------------------|-------------------------------|------|-------------------------------|------|-------------------------------|-------|
| | | 20 AWG (0.5 mm ²) | | 18 AWG (1.0 mm ²) | | 16 AWG (1.5 mm ²) | |
| 24 VAC | 25 | 113 | (34) | 180 | (55) | 287 | (87) |
| | 50 | 56 | (17) | 90 | (27) | 143 | (43) |
| | 70 | 41 | (12) | 64 | (19) | 102 | (31) |
| 26 VAC | 25 | 133 | (40) | 212 | (64) | 337 | (103) |
| | 50 | 66 | (20) | 105 | (32) | 168 | (51) |
| | 70 | 49 | (15) | 78 | (24) | 124 | (38) |
| 28 VAC | 25 | 155 | (47) | 246 | (75) | 392 | (119) |
| | 50 | 77 | (23) | 122 | (37) | 195 | (59) |
| | 70 | 55 | (17) | 88 | (27) | 135 | (41) |

CERTIFICATIONS/RATINGS

- CE
- UL/cUL Listed
- Meets NEMA Type 4X and IP66 standards

Pelco, the Pelco logo, and other trademarks associated with Pelco products referred to in this publication are trademarks of Pelco, Inc. or its affiliates. All other product names and services are the property of their respective companies. Product specifications and availability are subject to change without notice. ©Copyright 2010, Pelco, Inc. All rights reserved.