

Infra-Red short, medium and long range Illuminator



### Simple and Secure

VARIO2 in its simplest form, VARIO2 Lite has been specifically designed for applications which require core functionality only, for easy set-up and added security.



### High Performance

VARIO2 Lite provides all the performance of the standard VARIO2 products; with distances of up to 500m (1640ft) of Infra-Red illumination.



### VARIO Interchangeable lens system

Angle of illumination from 10 - 120° can be easily, quickly and precisely adjusted by changing the VARIO holographic lens insert to match the specific camera field of view.



### Hot-Spot Reduction Technology (HRT)

The HRT system delivers a highly diffused, elliptical beam system to deliver more light where it's needed most. Also prevents overexposure of foreground subjects.

## 5 YEAR WARRANTY

All Raytec luminaires are provided with an industry leading 5 year warranty and have an expected useful life in excess of 10 years. See Warranty Statement for details.



# Technical Specifications

Illuminator	i16	i8	i6	i4	i2
Max Distance	500m (1640ft)	350m (1148ft)	200m (656ft)	144m (472ft)	78m (256ft)
Angle	Included as Standard: 10°x10° - 500m (1640ft) 35°x10° - 250m (820ft) 60°x25° - 135m (443 ft) Optional Extras: 80°x30° - 105m (344ft) 120°x50° - 65m (213ft)	Included as Standard: 10°x10° - 350m (1148ft) 35°x10° - 165m (541ft) 60°x25° - 95m (311 ft) Optional Extras: 80°x30° - 70m (230ft) 120°x50° - 45m (148ft)	Included as Standard: 10°x10° - 200m (656ft) 35°x10° - 120m (394ft) 60°x25° - 70m (230 ft) Optional Extras: 80°x30° - 50m (164ft) 120°x50° - 30m (98ft)	Included as Standard: 10°x10° - 144m (472ft) 35°x10° - 78m (256ft) 60°x25° - 54m (177ft) Optional Extras: 80°x30° - 36m (118ft) 120°x50° - 24m (79ft)	Included as Standard: 10°x10° - 78m (256ft) 35°x10° - 54m (177ft) 60°x25° - 36m (118ft) Optional Extras: 80°x30° - 24m (79ft) 120°x50° - 18m (59ft)
Input	24V AC/DC	12/24V AC/DC	12/24V AC/DC	12/24V AC/DC	12/24V AC/DC
Consumption	100W Max	46W Max	25W Max	13W Max	10W Max
Beam Shape	Elliptical with HRT (Hot-spot Reduction) Technology	Elliptical with HRT (Hot-spot Reduction) Technology	Elliptical with HRT (Hot-spot Reduction) Technology	Elliptical with HRT (Hot-spot Reduction) Technology	Elliptical with HRT (Hot-spot Reduction) Technology
Beam Angle System	VARIO Interchangeable Lens System	VARIO Interchangeable Lens System	VARIO Interchangeable Lens System	VARIO Interchangeable Lens System	VARIO Interchangeable Lens System
LED type	Platinum Elite SMT LEDs	Platinum Elite SMT LEDs	Platinum Elite SMT LEDs	Platinum Elite SMT LEDs	Platinum Elite SMT LEDs
Number of LEDs	48	24	12	9	6
Wavelength	Infra-Red	Infra-Red	Infra-Red	Infra-Red	Infra-Red
IP rating	IP66	IP66	IP66	IP66	IP66
Temperature Range	-50° to +50°C (-58°to +122°F)	-50° to +50°C (-58°to +122°F)	-50° to +50°C (-58°to +122°F)	-50° to +50°C (-58°to +122°F)	-50° to +50°C (-58°to +122°F)
Colour	Black	Black	Black	Black	Black
Weight	3.1kg 6.8lbs)	1.65kg (3.61lbs)	950g (2.1lbs)	950g (2.1lbs)	600g (1.3lbs)
Dimensions	180 x 277 x75mm (7"x11"x2.9")	135 x 180 x 68mm (5"x7"x3")	100 x 135 x 66mm (4"x5"x2.5")	100 x 135 x 66mm (4"x5"x2.5")	75 x 100 x 64mm (3"x4"x2.5")
Cable Length	2.5m	2.5m	2.5m	2.5m	2.5m
Bracketry	U Bracket Included VUB Bracketry also available (Please contact Raytec for details)	U Bracket Included VUB Bracketry also available (Please contact Raytec for details)	U Bracket Included VUB Bracketry also available (Please contact Raytec for details)	U Bracket Included VUB Bracketry also available (Please contact Raytec for details)	U Bracket Included VUB Bracketry also available (Please contact Raytec for details)
Country of Manufacture	United Kingdom	United Kingdom	United Kingdom	United Kingdom	United Kingdom
Control	Telemetry on/off	Telemetry on/off	Telemetry on/off	Telemetry on/off	Telemetry on/off

## POWERS – The Open Lighting Standard

Specifications and distances based on the POWERS lighting standard. For full POWERS data and A&E specifications please contact sales@rayteccctv.com

## Product Codes

Part Codes	Description	Angles	Distances
VAR2-LTE-i2-1	VARIO 2 Lite i2, 850nm, with 3 angle options included, 12-24V	10 x 10°	78m (256ft)
		35 x 10°	54m (177ft)
		60 x 25°	36m (118ft)
		80 x 30° (optional)	24m (79ft)
		120 x 50° (optional)	18m (59ft)
VAR2-LTE-i4-1	VARIO 2 Lite i4, 850nm, with 3 angle options included, 12-24V	10 x 10°	144m (472ft)
		35 x 10°	78m (256ft)
		60 x 25°	54m (177ft)
		80 x 30° (optional)	36m (118ft)
		120 x 50° (optional)	24m (79ft)
VAR2-LTE-i6-1	VARIO 2 Lite i6, 850nm, with 3 angle options included, 12-24V	10 x 10°	200m (656ft)
		35 x 10°	120m (394ft)
		60 x 25°	70m (230ft)
		80 x 30° (optional)	50m (164ft)
		120 x 50° (optional)	30m (98ft)
VAR2-LTE-i8-1	VARIO 2 Lite i8, 850nm, with 3 angle options included, 12-24V	10 x 10°	350m (1148ft)
		35 x 10°	165m (541ft)
		60 x 25°	95m (311ft)
		80 x 30° (optional)	70m (230ft)
		120 x 50° (optional)	45m (148ft)
VAR2-LTE-i16-1	VARIO 2 Lite i16, 850nm, with 3 angle options included, 24V	10 x 10°	500m (1640ft)
		35 x 10°	250m (820ft)
		60 x 25°	135m (443ft)
		80 x 30° (optional)	105m (344ft)
		120 x 50° (optional)	65m (213ft)

940nm available, please contact Raytec for more details.

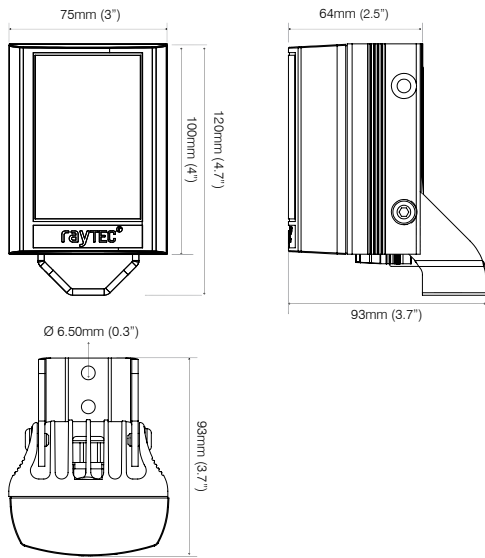
### Optional Parts

VAR-iX-lens-8030*	80 x 30° lens
VAR-iX-lens-12050*	120 x 50° lens

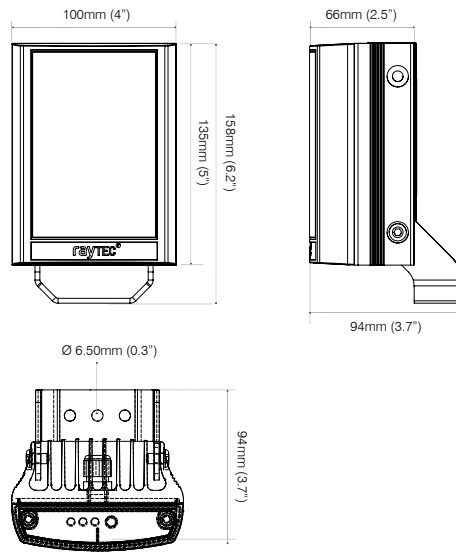
Replace X with lens size required

# Product Dimensions

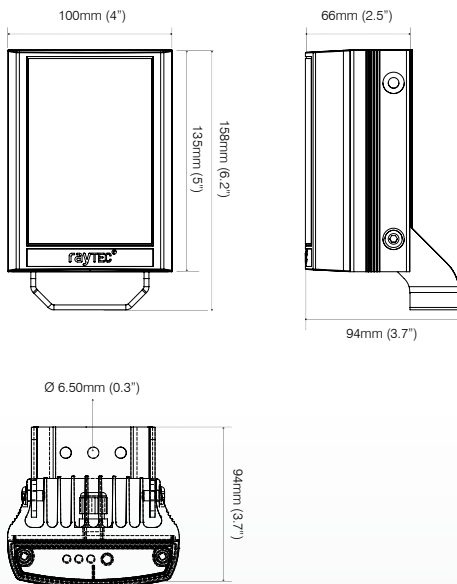
## i2



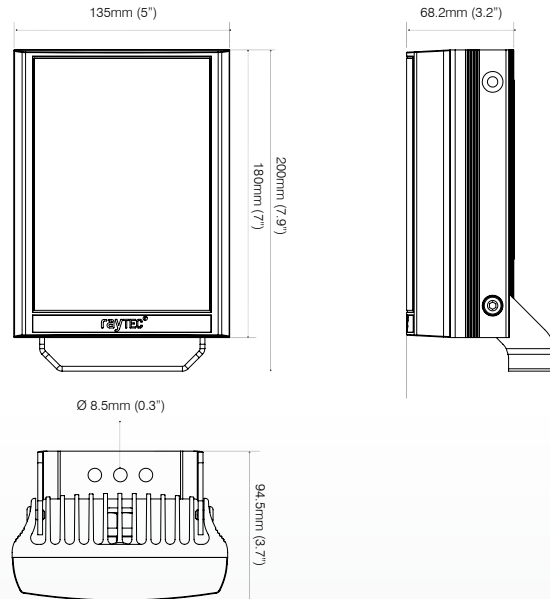
## i4



## i6



## i8



## i16

