



# SPARTAN FLOOD IR12



## LED Hazardous Area Floodlight Standard Variants

The SPARTAN Floodlight range is designed specifically for hazardous environments which require high performance, high reliability, Infra-Red illumination. Housed in Marine Grade aluminium with a toughened glass window, and using Raytec's field-proven, long-life LED technology, SPARTAN Floodlights are ATEX and IEC Ex approved for all Zone 1 and Zone 2 applications, C1D2, UL, CSA, ABS and rated for T4, T5 and T6 environments/locations. Available in standard versions only. For emergency variant see SPARTAN Flood IR 24 or 48.

SPARTAN Flood is available in a variety of different beam patterns, both circular and elliptical, to suit any application. The circular beam patterns maximise light output, while the elliptical beam patterns use Raytec's revolutionary VARIO holographic lens technology to shape the light providing greater illumination distances with significantly reduced energy wastage. The VARIO holographic beam patterns can easily be modified – offering ultimate flexibility to specifiers, distributors and end-users.

SPARTAN Flood has been designed from the ground up for easy installation, easy maintenance, easy inspection, and long life performance. SPARTAN uses **COOLEXTRUDE™** thermal management technology, ensuring a much cooler LED operating temperature allowing the product to operate for >10 years. A unique, maintenance-friendly design allows quick and easy servicing and inspection of all key components including LED and PSU modules if required.

## Features

- ATEX and IEC Ex approved – Zone 1 & 2  
UL/CSA approved, including C1D2 and ABS
- Ultra long life LED
- Easy installation, maintenance and inspection
- Wide operating temperature range of -50° to +55°C
- 5 year warranty
- VARIO lens technology – easy modification of beam patterns

## Why Raytec

- UK Designed & Manufactured
- Manufacturing precision engineered LED products
- Worldwide distributor support
- Lighting design and full technical support
- ISO9001 and ISO140001 accredited
- Award Winning Technology

## Key Features

### Ultra-Powerful

Latest high power LED technology

### Ultra-Flexible

Beam patterns from 10° to 120° both circular and elliptical

Operating temperature range of -50°C to + 55°C with a T4/T5/T6 rating for even the most challenging conditions

Models incorporating VARIO Technology allow for easy modification of beam pattern

### Ultra-Reliable

Industry leading 5 year warranty

Designed and manufactured in the UK to the highest standards including both ISO9001 & ISO14001

Advanced electronics and LED's protected by vibration resistant and water proof potting compound

### Ultra-Modular

Both the LED and PSU modules are easily accessible for maintenance and inspection

Available as a standard fitting only

Removable PSU housing allows power supply to be fitted remotely

### Ultra-Efficient

**COOLEXTRUDE™** thermal management delivers class leading energy efficiency

Significant running and maintenance savings compared to traditional lighting technologies

SMART access wiring system for safe and efficient installation, set-up and ongoing inspection

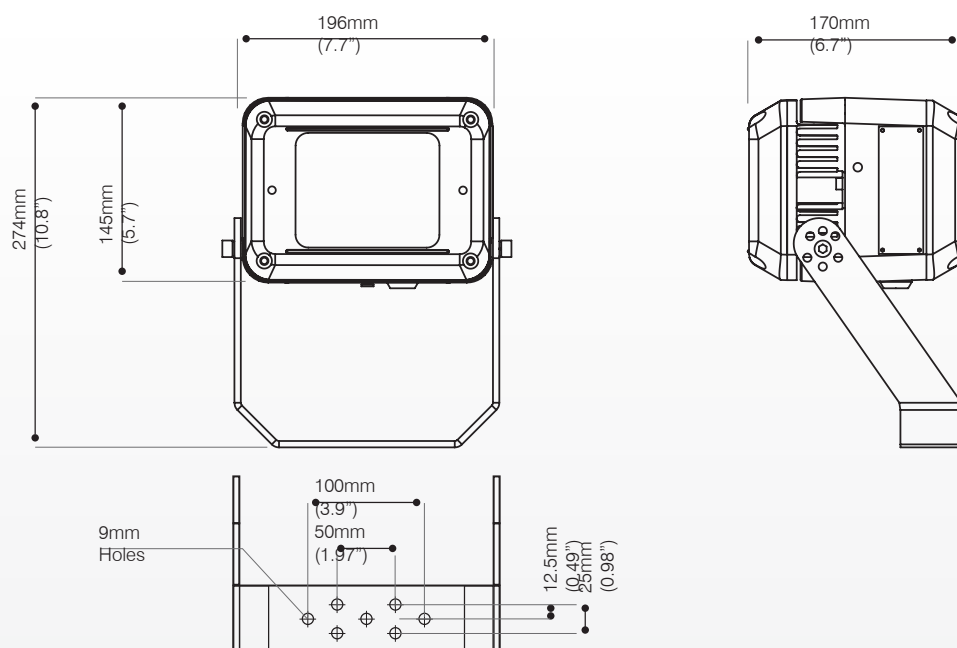
### Ultra-Support

Photometric files available (.ies & .ldt)

Full Lighting Design Service

Site specific Energy and Cost Saving Report available

## Product Dimensions



# Technical Specifications

<b>Certification</b>	
ATEX Rating:	ATEX and IEC Ex rated for Gas and Dust
Hazardous Area rating:	Zone 1 & 2 – Gas and Dust UL/CSA, including C1D2
Certificates:	CML13ATEX3007 & IEC Ex CML 14.0001
Gas:	II 2 GD Ex emb IIC T5 or T4 Gb Ta -50°C to +55°C II 2 GD Ex emb IIC T6 Gb Ta -50°C to +48°C
Dust:	Ex tb IIIC T82°C Db IP66 & IP67 - Ta -50°C to +55°C
North America Rating:	Class I, Division 2 Groups A, B, C, D, T5 Class II, Division 1 & 2 Groups E, F, G Class III, Division 1 & 2 NEMA 4x, IP66/IP67 UL50E, UL8750, UL 1203 C22.2 No Emergency Variants - Certification Pending ABS Certificate # 15-LD1364539-1-PDA
<b>Electrical</b>	
Input:	110-254V 50/60Hz AC only Low voltage option also available for standard variants only - 18-48V AC and 18-69V DC
Power:	34W
Termination:	Incoming terminal block suitable for looping 4 core 4mm <sup>2</sup> cable
Power Factor	>0.95
Cable entries	2xM20 as standard (other entries available upon request), dispatched complete with one ATEX/ IEC Ex approved blanking plug 3/4" NPT as standard on C1D2

<b>Optical</b>	
Beam Patterns-circular:	10°x 10° or 30°x 30° or 50°x 50° or 120°x 120° (10 x 10 option can be upgraded to VARIO Technology)
Beam Patterns-elliptical:	35°x 10° or 60°x 25° or 80°x 30° or 120°x 50° (VARIO)
LED type:	Platinum Elite SMT LEDs
Number of LEDs:	12
<b>Mechanical/Environmental</b>	
Burning position:	Universal
IP rating:	IP66 & IP67
Temperature range:	-50°C to +55°C
Weight:	5kg (11lbs)
Enclosure:	Marine grade aluminium epoxy powder coated, toughened glass, all external fasteners and brackets are marine grade stainless steel
Unit Colour:	Silver (RAL 9006),
Installation instructions:	Raytec ref 910-M-0094 – please contact Raytec for copy
Dimensions:	196 x 274 x 170mm (10.8 x 7.7 x 6.7")
Mounting:	U bracket (see dimension drawings on Page 2)

## Circular beam pattern

Part Codes	Description (T4 variants as standard)	Distances
SPX-FL12-I-1010	SPARTAN Flood, 12 LED, Infra-Red, 10°x 10° beam	230m (755ft)
SPX-FL12-I-3030	SPARTAN Flood, 12 LED, Infra-Red, 30°x 30° beam	90m (295ft)
SPX-FL12-I-5050	SPARTAN Flood, 12 LED, Infra-Red, 50°x 50° beam	80m (262ft)
SPX-FL12-I-120120	SPARTAN Flood, 12 LED, Infra-Red, 120°x 120° beam	25m (82ft)

Add -C1D2 to part code for North American standards

Contact Raytec for T5 and T6 variants

## Elliptical beam pattern

Part Codes	Description (T4 variants as standard)	Distances
SPX-FL12-I-3510	Spartan Flood, 12 LED, Infra-Red, 35°x 10° beam	112m (367ft)
SPX-FL12-I-6025	Spartan Flood, 12 LED, Infra-Red, 60°x 25° beam	80m (262ft)
SPX-FL12-I-8030	Spartan Flood, 12 LED, Infra-Red, 80°x 30° beam	52m (171ft)
SPX-FL12-I-12050	Spartan Flood, 12 LED, Infra-Red, 120°x 50° beam	35m (115ft)

Add -C1D2 to part code for North American standards

Contact Raytec for T5 and T6 variants

## 5 YEAR WARRANTY

All Raytec luminaires are provided with an industry leading 5 year warranty and have an expected useful life in excess of 10 years

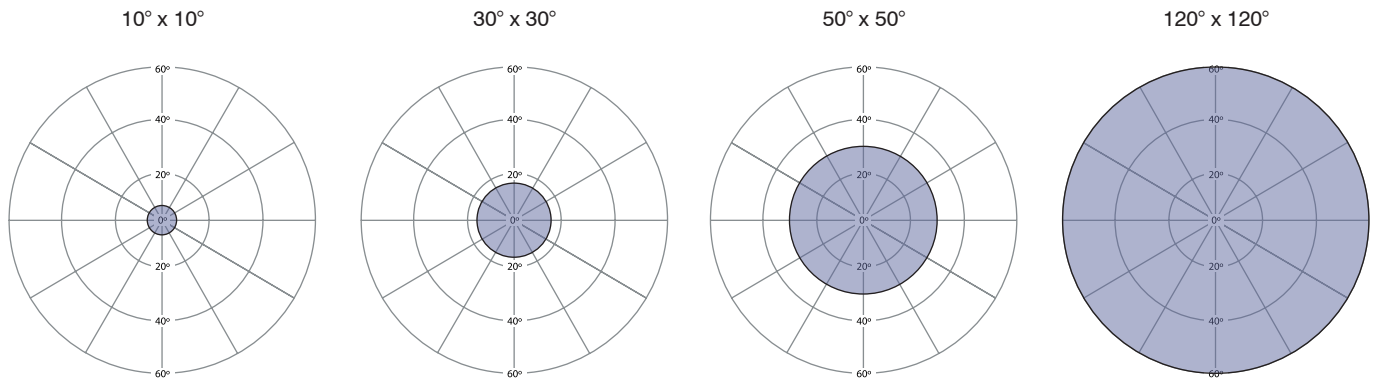


Raytec Global (excluding Americas)  
Tel: +44 (0) 01670 520055  
hazsales@rayteclcd.com  
www.rayteclcd.com

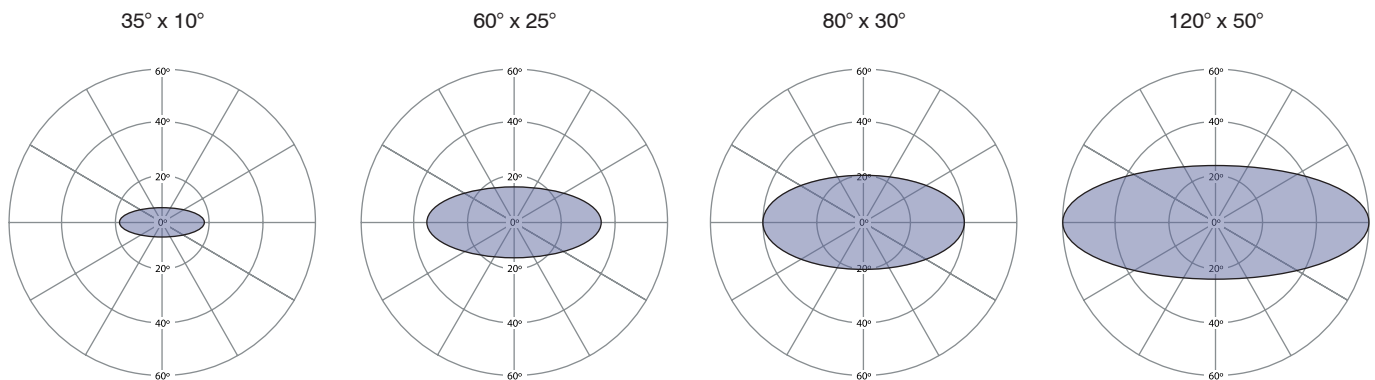
Raytec Americas:  
Tel: +1 613 270 9990  
ushazsales@rayteclcd.com

rayTEC

## Beam patterns - Circular



## Beam patterns – Elliptical (VARIO)



## Products in the SPARTAN Flood 12 range

Spartan Flood 12 WL



Spartan Flood 12 IR



## Other Products in the SPARTAN Hazardous Area Family

SPARTAN Flood 24



SPARTAN Flood 48



SPARTAN Bulkhead 24



SPARTAN Linear WL84  
2 x 18W equivalent

SPARTAN Linear WL168  
2 x 36W equivalent

