



HPE G2 Basic Power Distribution Units (PDU)

Basic, reliable power distribution for your HPE IT solutions

HPE Standard Series G2 Basic PDUs are designed to work precisely with HPE Infrastructure and Compute solutions. Designed for use with HPE Standard, Advanced, and Enterprise racks (and compatible with other industry-standard server racks), HPE G2 Basic PDUs guaranty a compatible fit and reliable operation backed by a 5 year warranty. Built with high-temperature grade premium components, our G2 Basic PDUs can operate reliably in operating temperatures up to 60°C over extended periods of time.

For more information visit us at: hpe.com/info/rackandpower

Basic PDUs**100-120V Input, Single Phase, North America/Japan**

P9Q31A

P9Q32A

P9Q33A

P9Q34A

P9Q35A

**200-208V Input, Single Phase, North America/
Japan**

P9Q39A

P9Q40A

P9Q41A

P9Q42A

P9Q47A

P9Q48A

**200-208V Input, Three Phase, North America/
Japan**

P9Q52A

P9Q54A

P9Q55A

P9Q53A

P9Q56A

P9Q59A

P9Q60A

Basic PDUs**220-240V Input, Single Phase, International**

P9Q43A

P9Q44A

P9Q45A

P9Q46A

P9Q50A

P9Q51A

220-240V Input, Three Phase, International

P9Q58A

P9Q57A

P9Q63A

P9Q64A

P9Q65A

200-240V Input, Single Phase, Worldwide

P9Q36A

P9Q37A

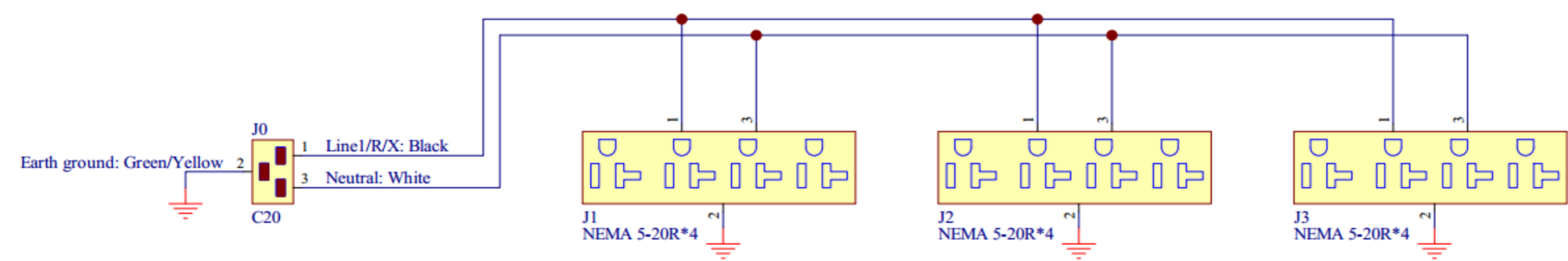
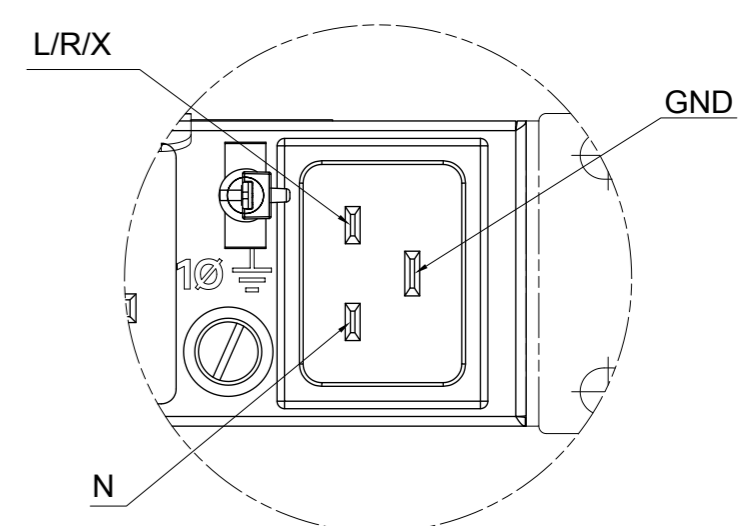
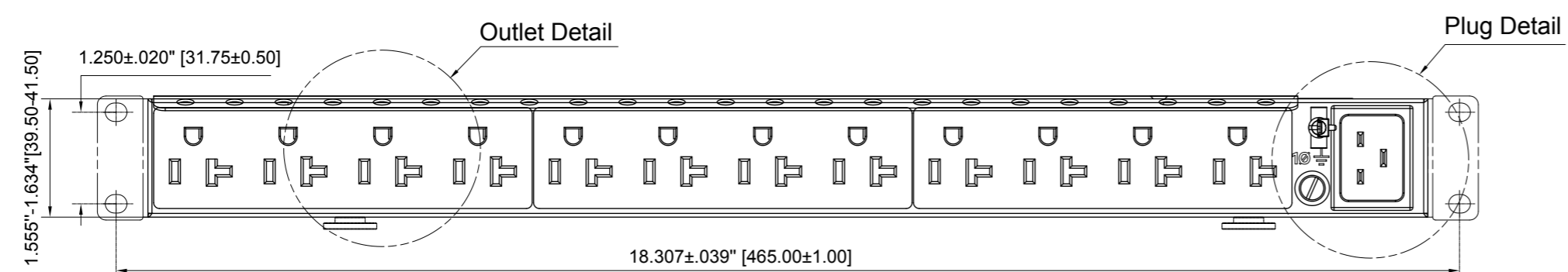
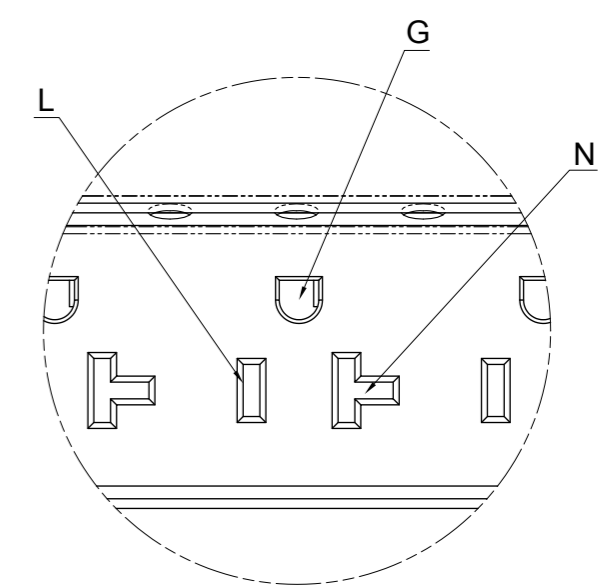
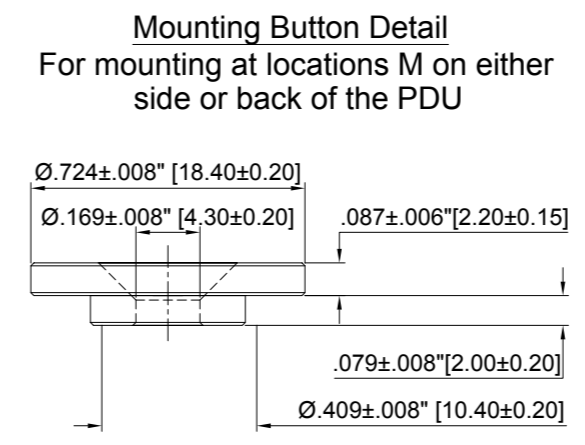
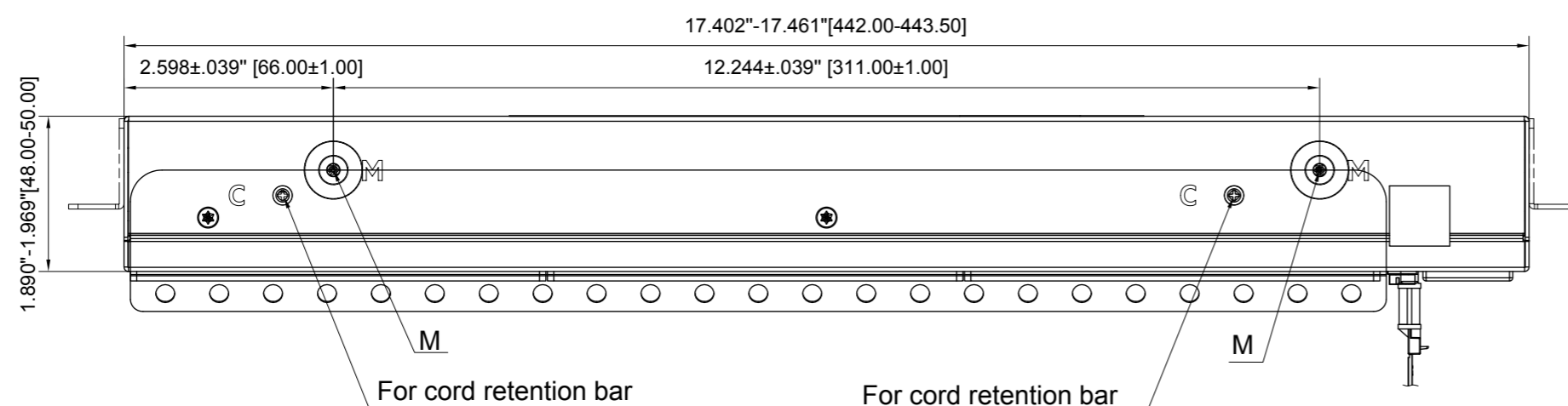
P9Q38A

P9Q49A

Extension Bars

P9Q67A

P9Q68A



Wiring Scheme

Product Information

Input Ratings

Nominal Voltage	120VAC, 1-Ph, 50/60Hz
Input Plug	IEC 60320 C20
Current Rating	16A (Derated)
Power Rating (kVA)	1.92 kVA

Output Ratings

Nominal Voltage	120VAC, 50/60Hz
Current Rating	16A Max

Outlet Configuration

Total Outlets	(12)5-20R
---------------	-----------

Features

Cord Retention	Using tie wrap to lock the plugs
Mounting Option	Vertical (0U), Between RETMA rail (0U), Horizontal (1U)
Mounting Hardware	Included

Environmental Conditions

Operating Temperature	50-140°F (10-60°C)
Operating Rel Humidity	10-90%
Operating Elevation	0-10000ft [0-3000m]

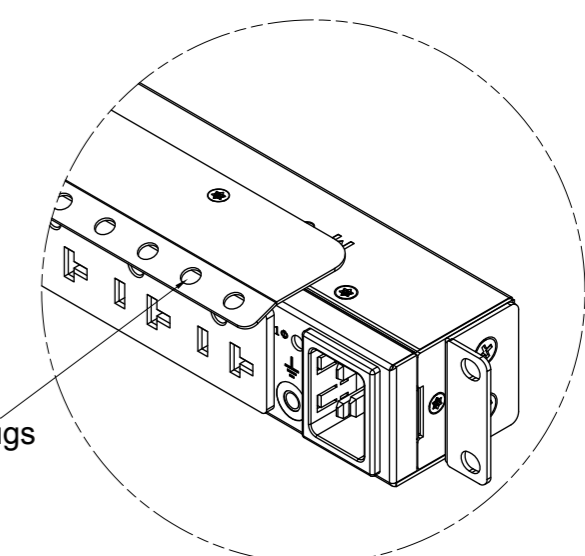
Regulatory Information

UL or CSA, CB Test	
--------------------	--

Unit Weight

Weight (2.2lbs[1.0kg])	
------------------------	--

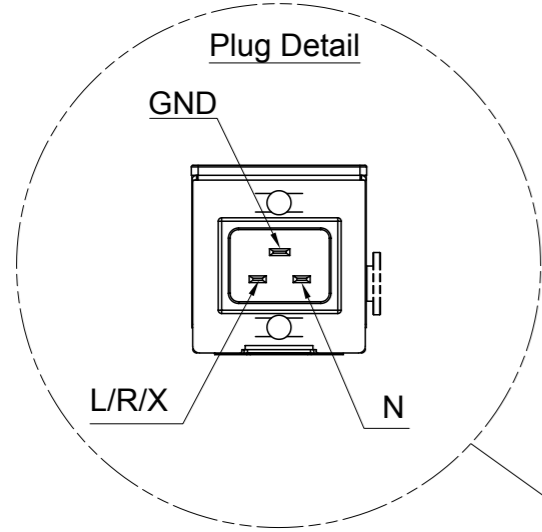
Cord Retention:
Using tie wrap to lock the plugs



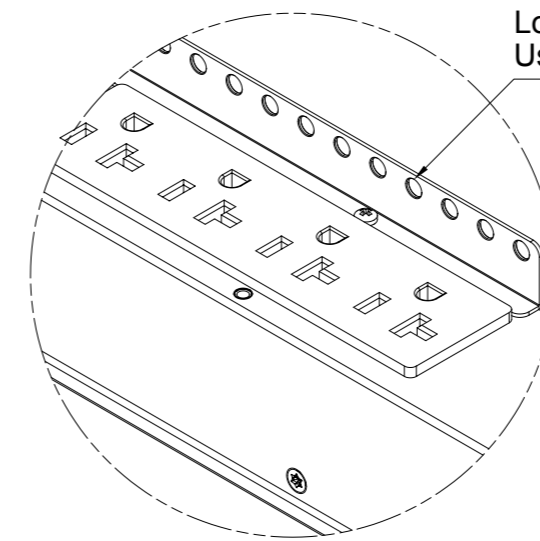
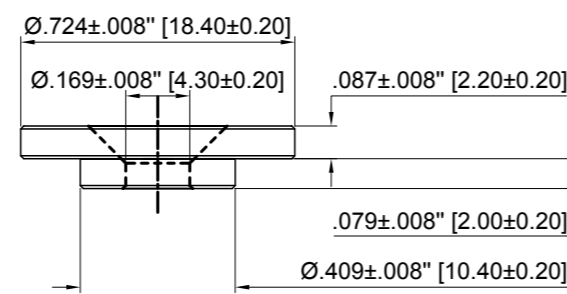
Cord Retention Detail

PDU Classification	Basic
Part Number	P9Q31A
Specification Number	866817-B

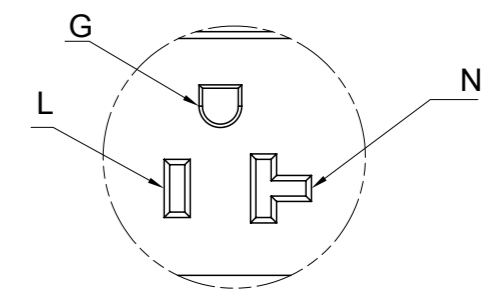




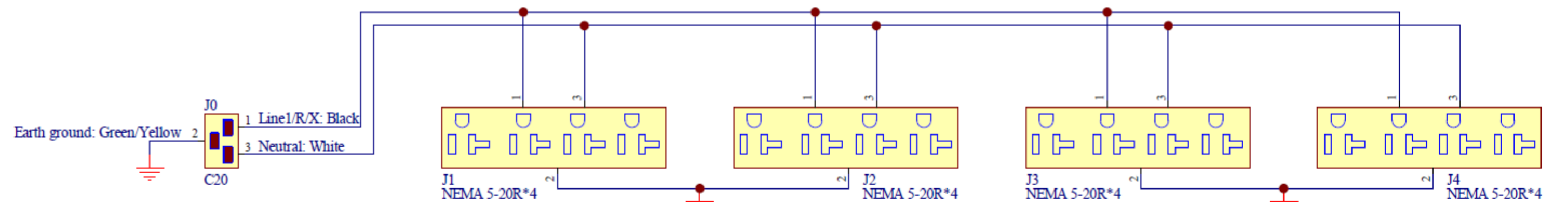
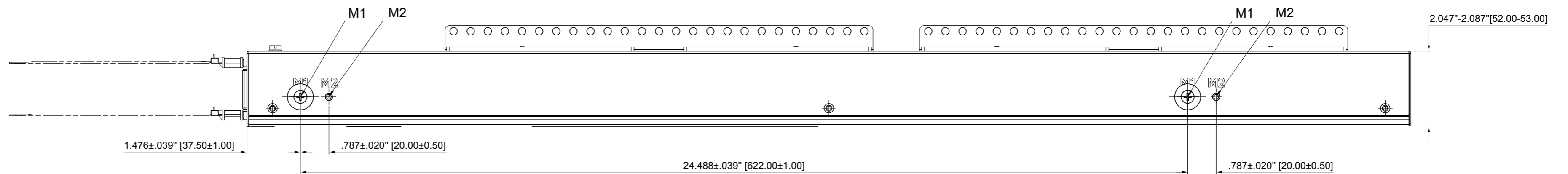
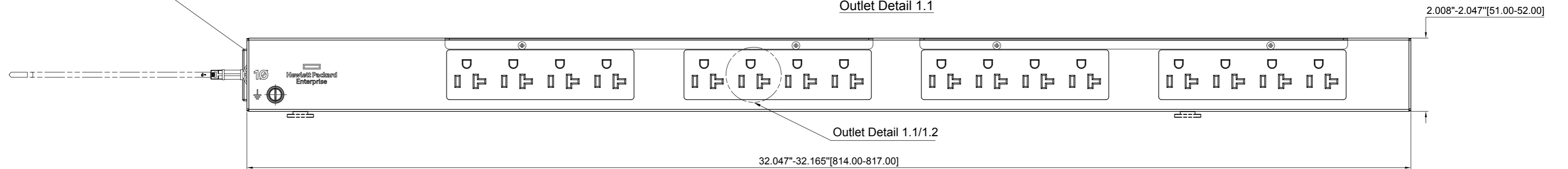
Mounting Button Detail
For mounting at locations M1 or M2 on either side or back of the PDU



Outlet Detail 1.1



Outlet Detail 1.2



Wiring Scheme

Product Information

Input Ratings

Nominal Voltage	120VAC, 1-Ph, 50/60Hz
Input Plug	IEC 60320 C20
Current Rating	16A (Derated)
Power Rating (kVA)	1.92 kVA

Output Ratings

Nominal Voltage	120VAC, 50/60Hz
Current Rating	16A Max

Outlet Configuration

Total Outlets	(16)5-20R
---------------	-----------

Features

Cord Retention	Using tie wrap to lock the plugs
Mounting Option	Vertical (OU)
Mounting Hardware	Included

Environmental Conditions

Operating Temperature	50-140°F (10~60°C)
Operating Rel Humidity	10~90%
Operating Elevation	0-10000ft [0-3000m]

Regulatory Information

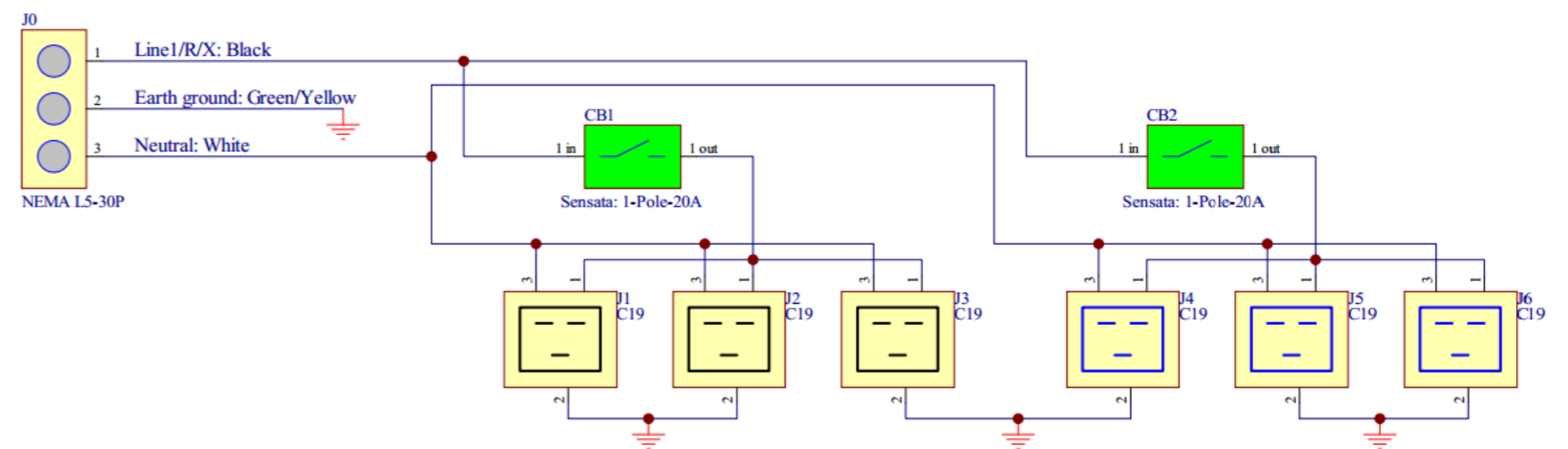
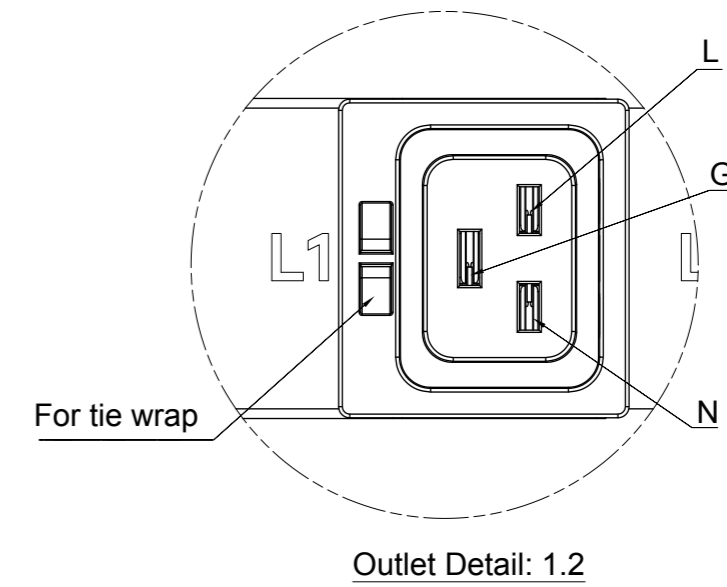
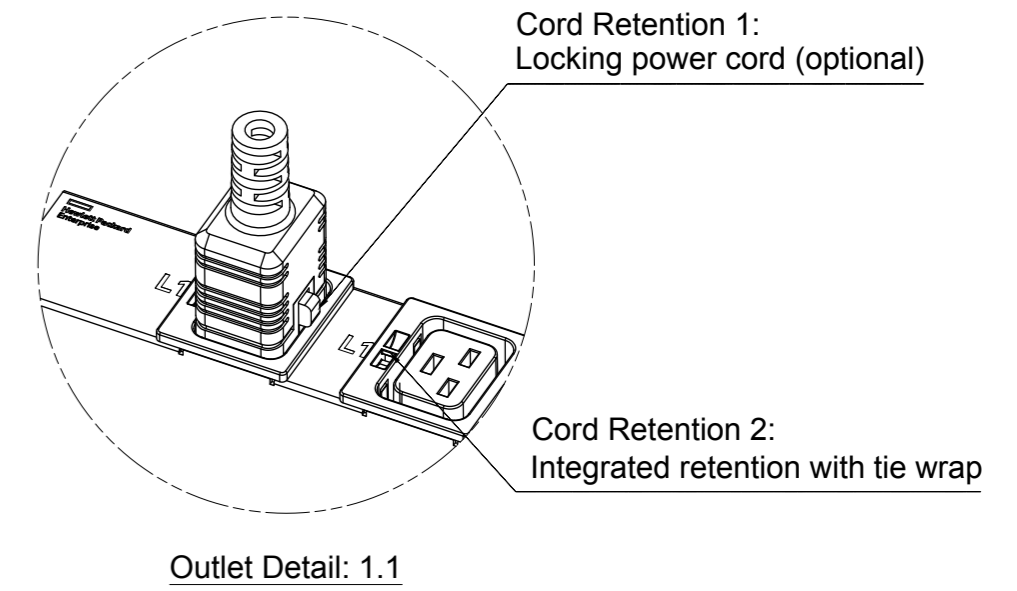
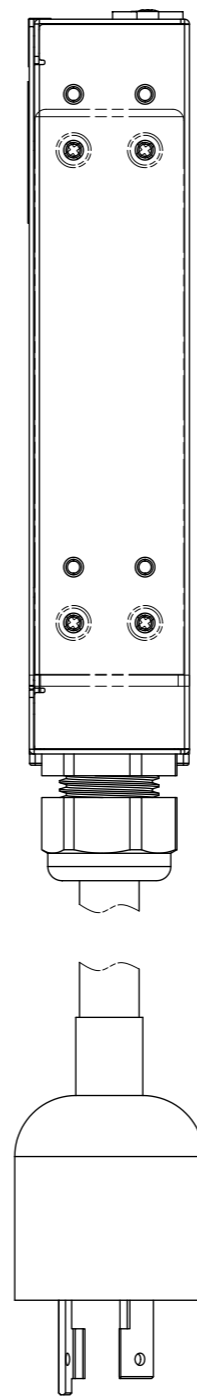
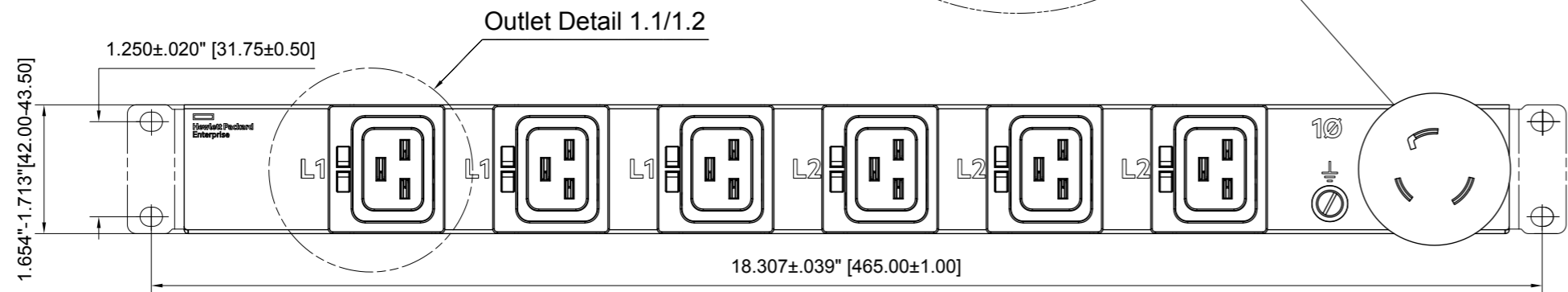
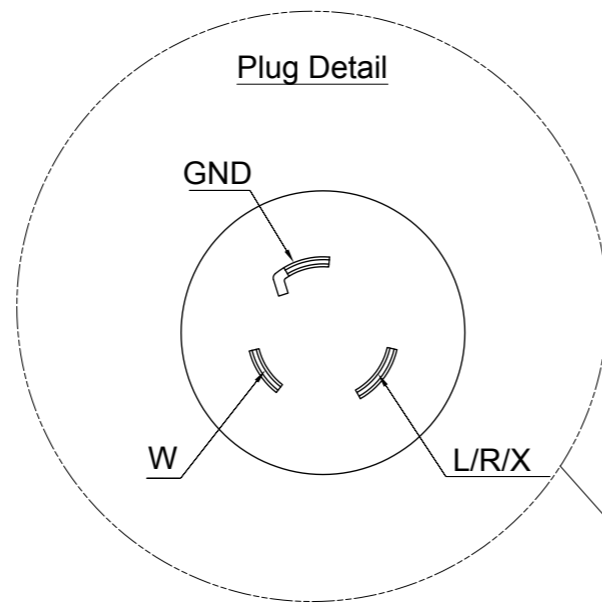
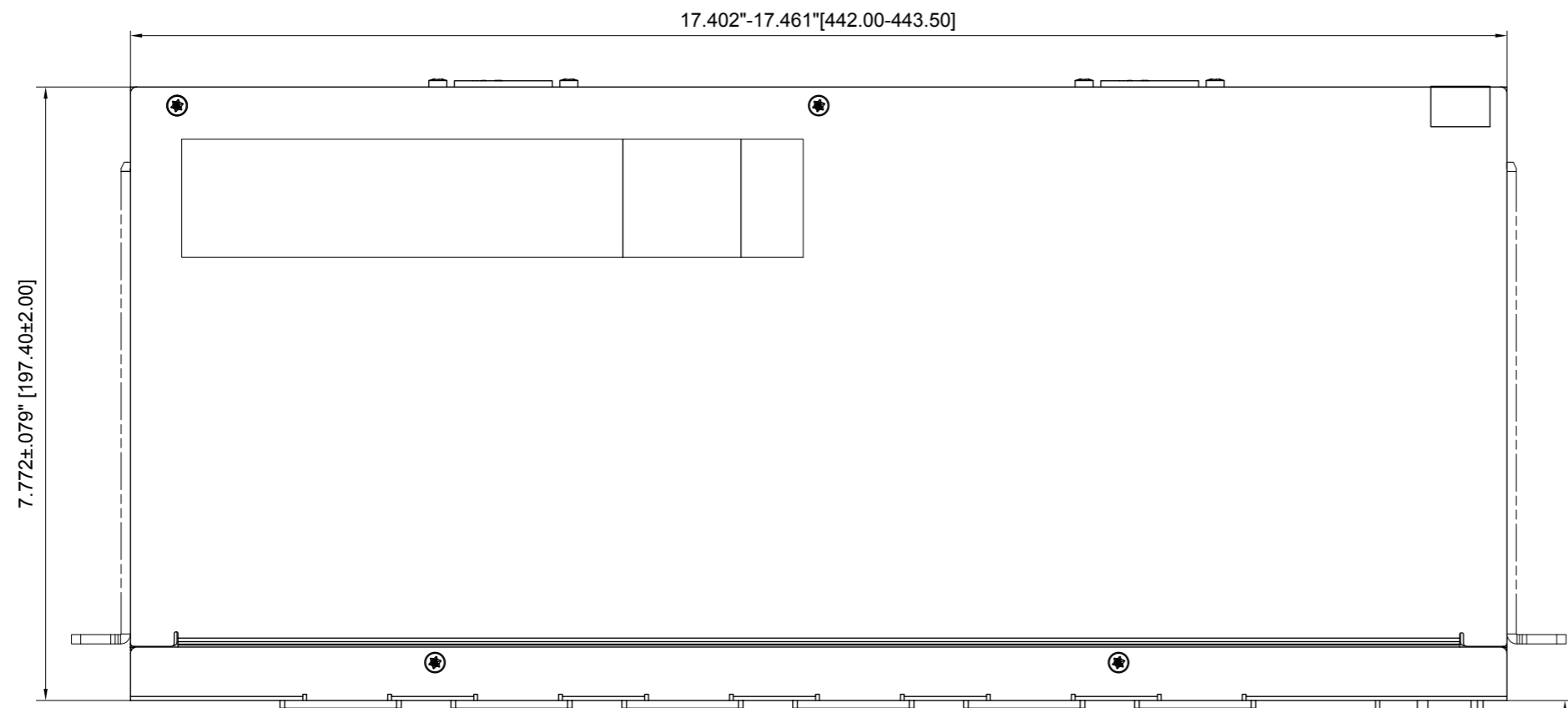
UL or CSA, CB test

Unit Weight

Weight (4.4lbs[2.0kg])

PDU Classification	Basic
Part Number	P9Q32A
Specification Number	866817-B





Product Information

Input Ratings

Nominal Voltage	120VAC, 1-Ph, 50/60Hz
Input Plug	NEMA L5-30P (Over-molded)
Cord Type/Length	Type SJT; 90°C;300V;10AWG;3C/(12')
Current Rating	24A (Derated)
Power Rating (kVA)	2.88 kVA

Output Ratings

Nominal Voltage	120VAC, 50/60Hz
Current Rating	24A Max
Max Current/Breaker	16A Max

Outlet Configuration

Total Outlets	(6)C19
Outlets / Load Segment	(3)C19
Branch Circuit Protection	(2) 1-Pole 20A UL 489 Breaker

Features

Cord Retention 1	Locking power cord (optional)
Cord Retention 2	Integrated retention with tie wrap
Mounting Option	Between RETMA rail (0U), Horizontal (1U)
Mounting Hardware	Included

Environmental Conditions

Operating Temperature	50-140°F (10-60°C)
Operating Rel Humidity	10-90%
Operating Elevation	0-10000ft [0-3000m]

Regulatory Information

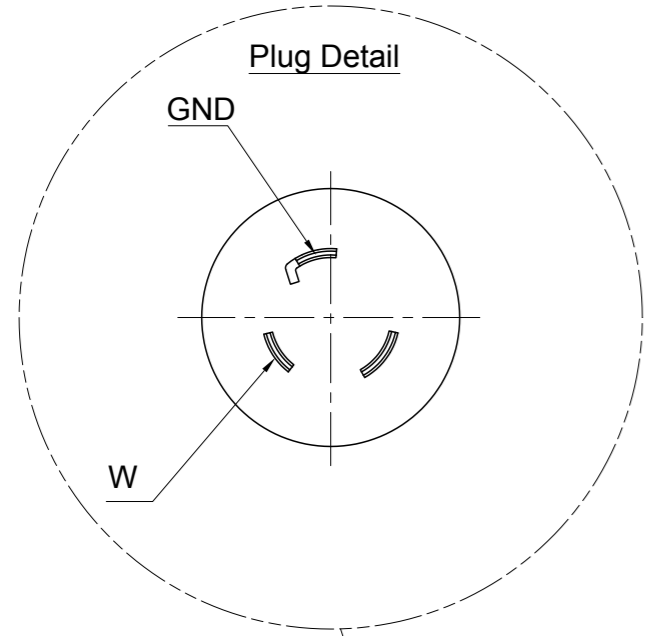
UL or CSA, CB Test

Unit Weight

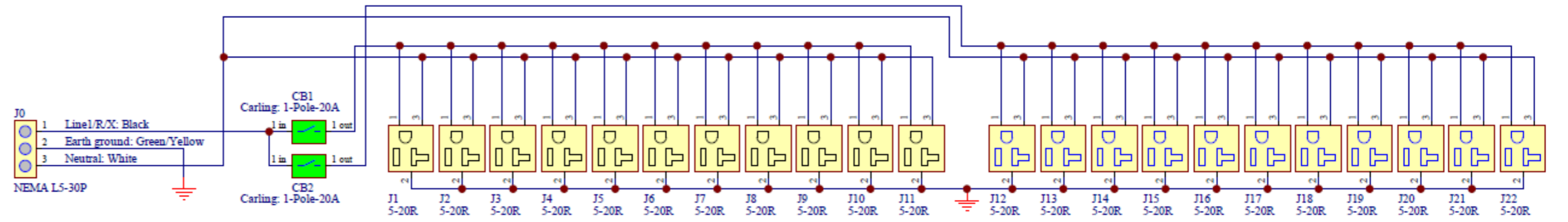
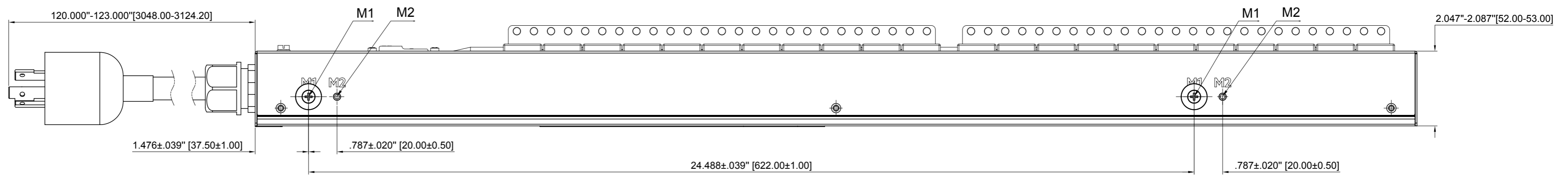
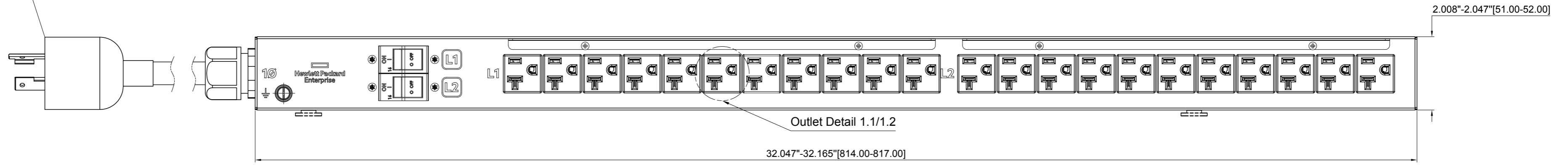
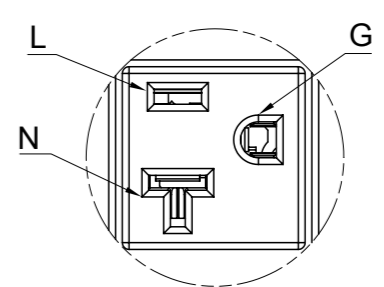
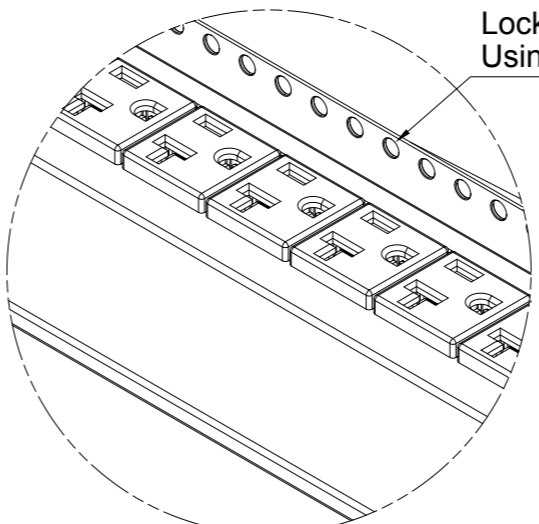
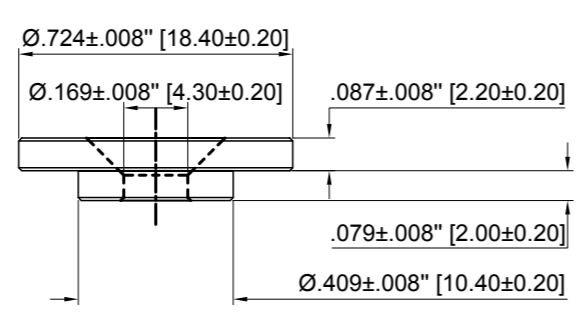
Weight (9.3lbs[4.2kg])

Wiring Scheme

PDU Classification	Basic
Part Number	P9Q33A
Specification Number	866817-B



Mounting Button Detail
For mounting at locations M1 or M2 on either side or back of the PDU




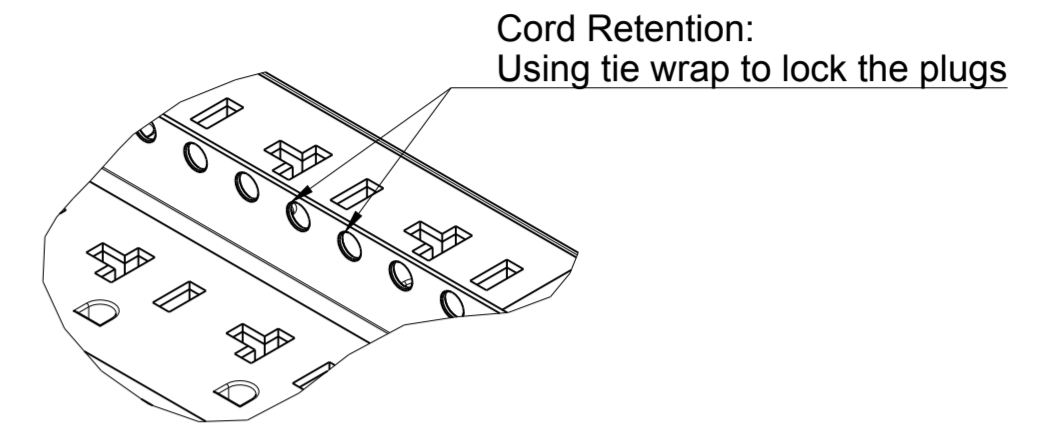
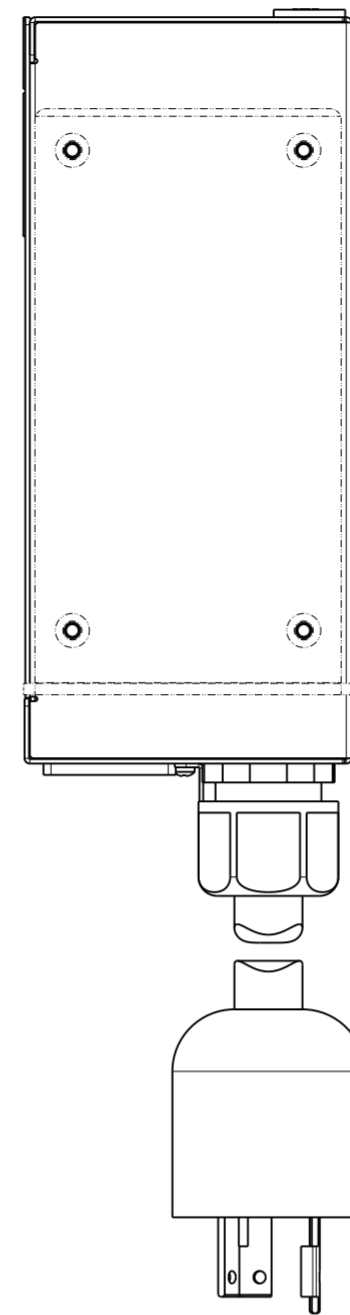
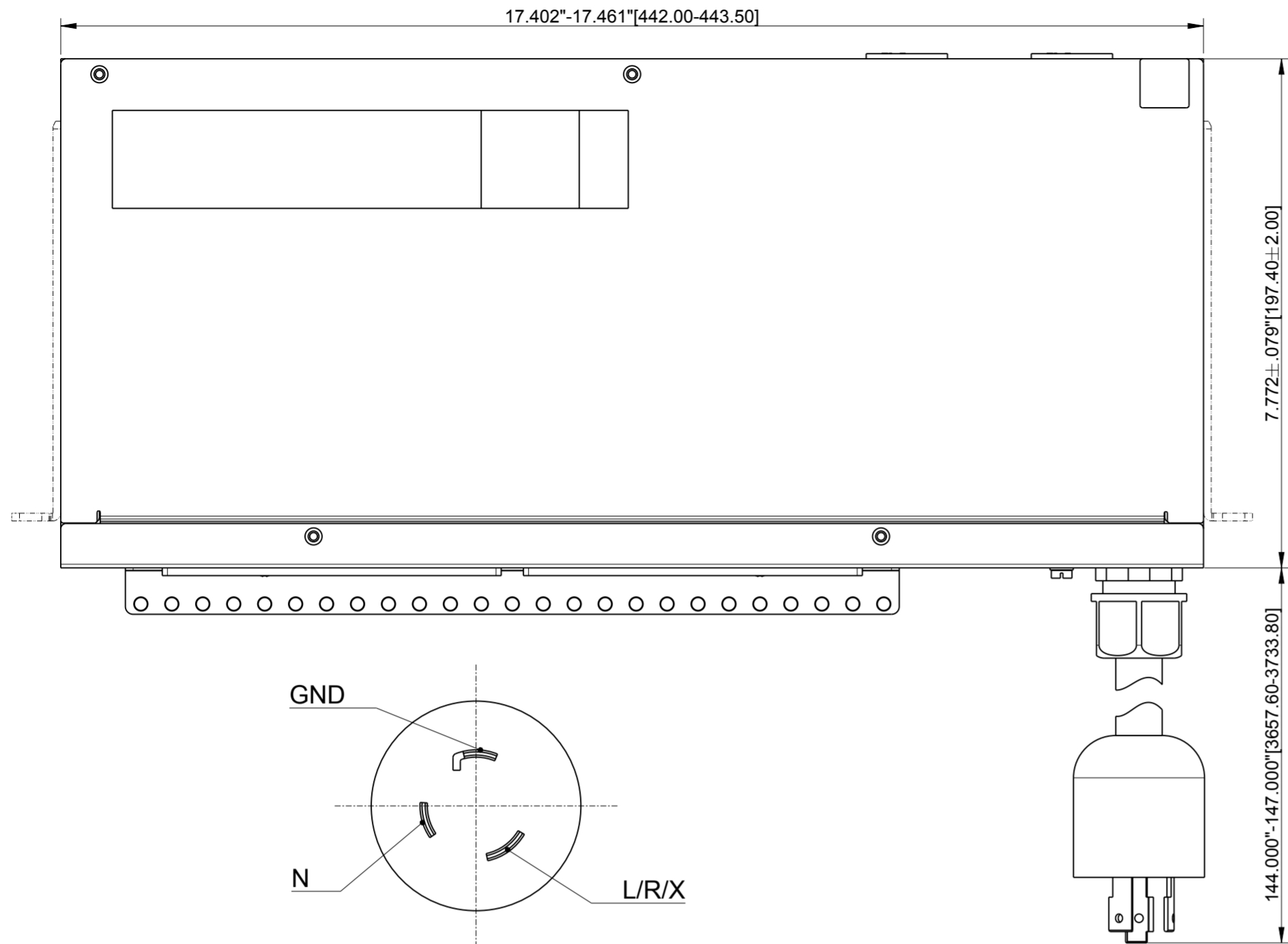
Wiring Scheme

Product Information

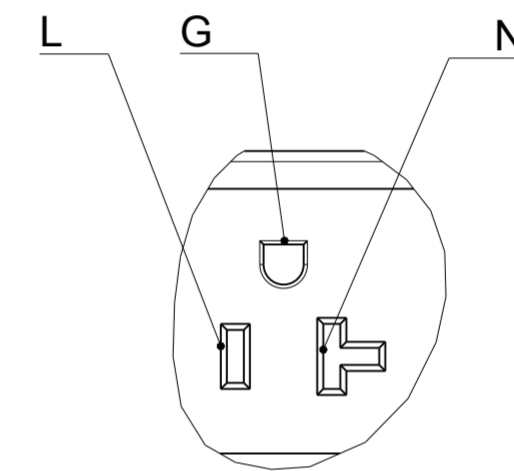
Input Ratings	
Nominal Voltage	120VAC, 1-Ph, 50/60Hz
Input Plug	NEMA L5-30P (Over-molded)
Cord Type/Length	Type SJT 90C; 300V; 10AWG; 3C/(10')
Current Rating	24A (Derated)
Power Rating (kVA)	2.88 kVA
Output Ratings	
Nominal Voltage	120VAC, 50/60Hz
Current Rating	24A Max
Max Current/Breaker	20A Max
Outlet Configuration	
Total Outlets	(22)5-20R
Outlets / Load Segment	(11)5-20R
Branch Circuit Protection	(2) 1-Pole 20A UL 489 Breaker

Features	
Cord Retention	Using tie wrap to lock the plugs
Mounting Option	Vertical (OU)
Mounting Hardware	Included
Environmental Conditions	
Operating Temperature	50-140°F (10-60°C)
Operating Rel Humidity	10-90%
Operating Elevation	0-10000ft [0-3000m]
Regulatory Information	
UL or CSA, CB test	
Unit Weight	
Weight (8.4lbs[3.8kg])	

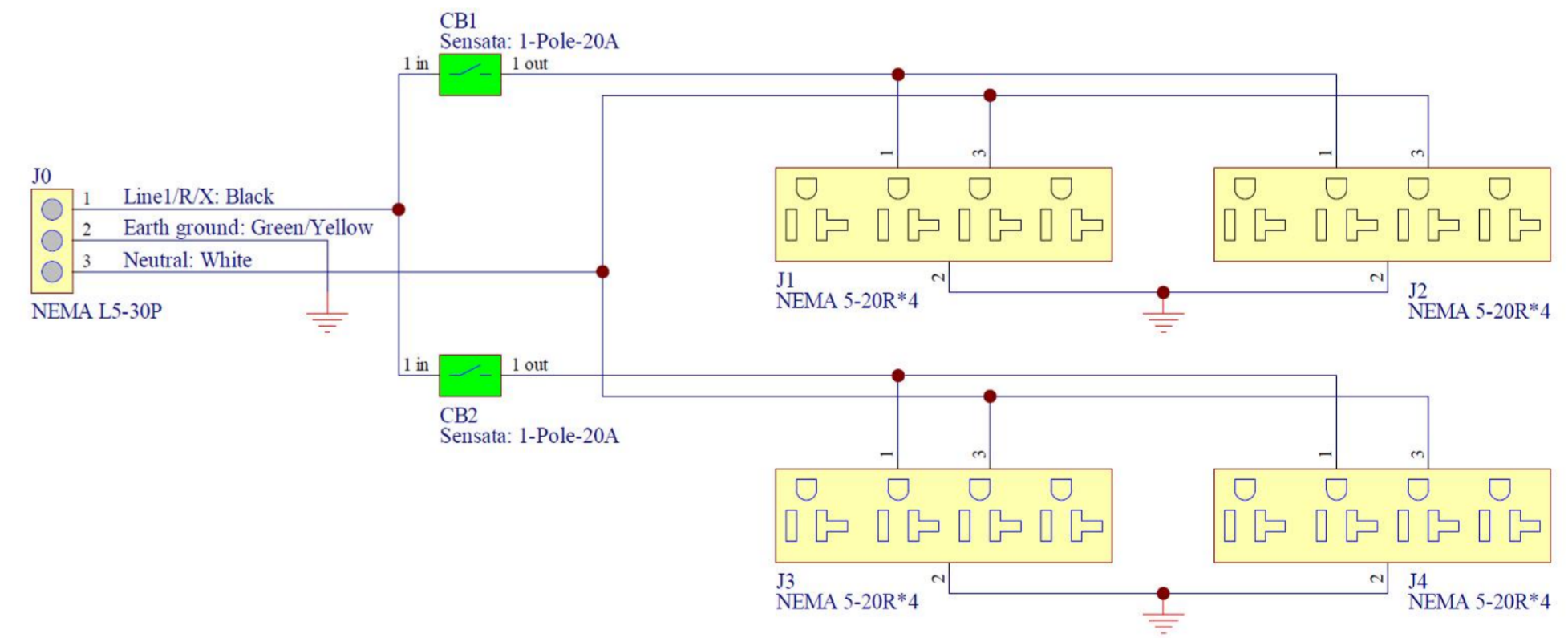
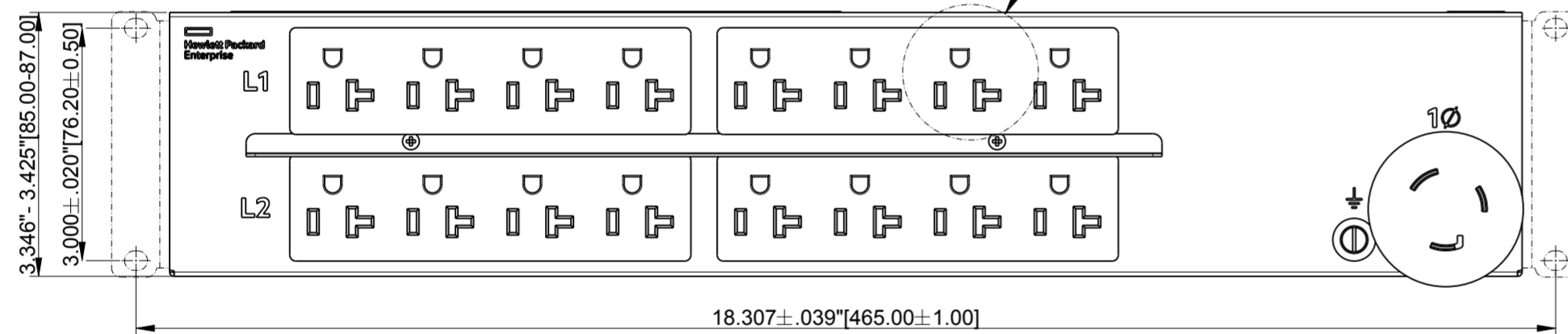
PDU Classification	Basic
Part Number	P9Q34A
Specification Number	866817-B
	



Outlet Detail 1.1



Outlet Detail 1.2



Wiring Scheme

Product Information

Input Ratings

Nominal Voltage	120VAC, 1-Ph, 50/60Hz
Input Plug	NEMA L5-30P (Over-molded)
Cord Type/Length	SJT;90° C;300V,10AWG;3C/(12')
Current Rating	24A (Derated)
Power Rating (kVA)	2.88 kVA

Features

Cord Retention	Using tie wrap to lock the plugs
Mounting Option	Horizontal (2U)
Mounting Hardware	Included

Environmental Conditions

Operating Temperature	50-140° F (10-60° C)
Operating Rel Humidity	10-90%
Operating Elevation	0-10000ft [0-3000m]

Regulatory Information

UL or CSA, CB test

Unit Weight

Weight (10.2lbs[4.6kg])

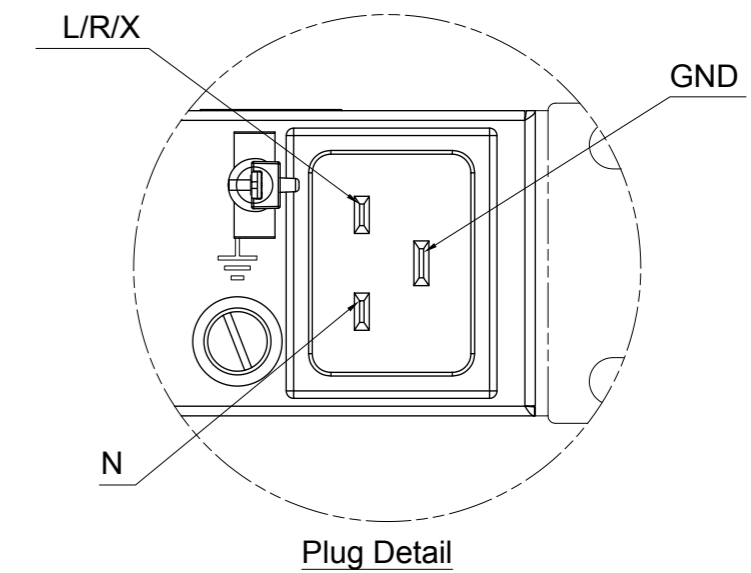
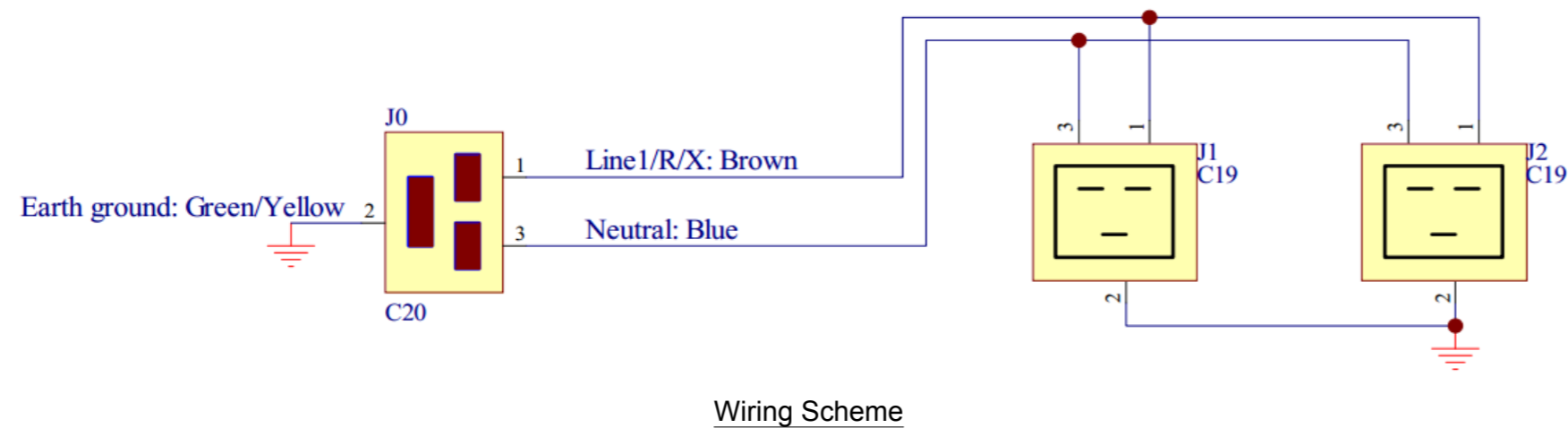
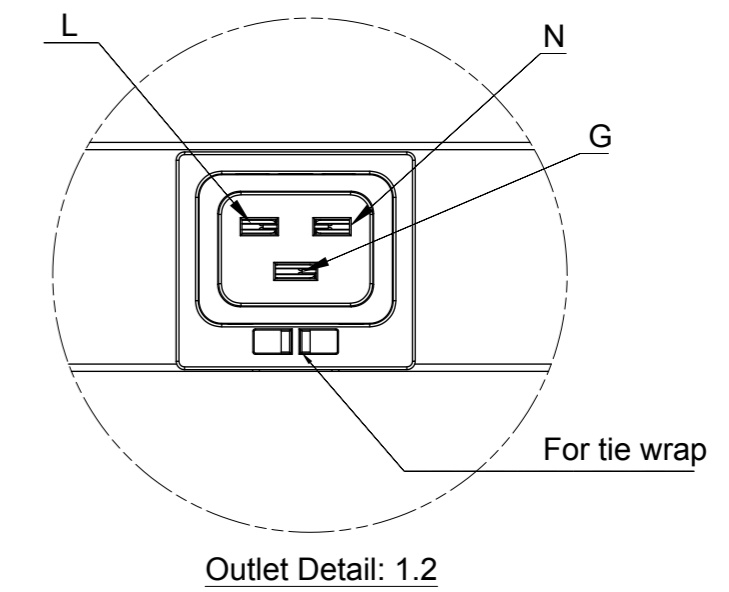
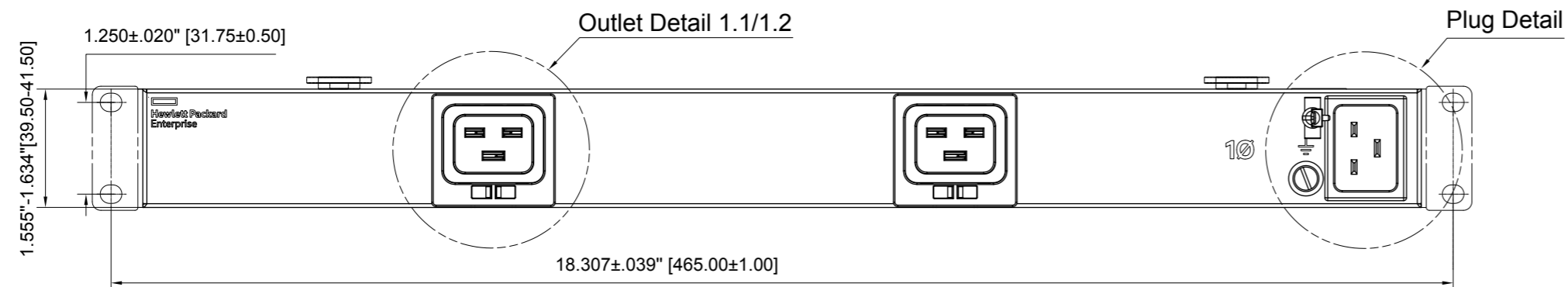
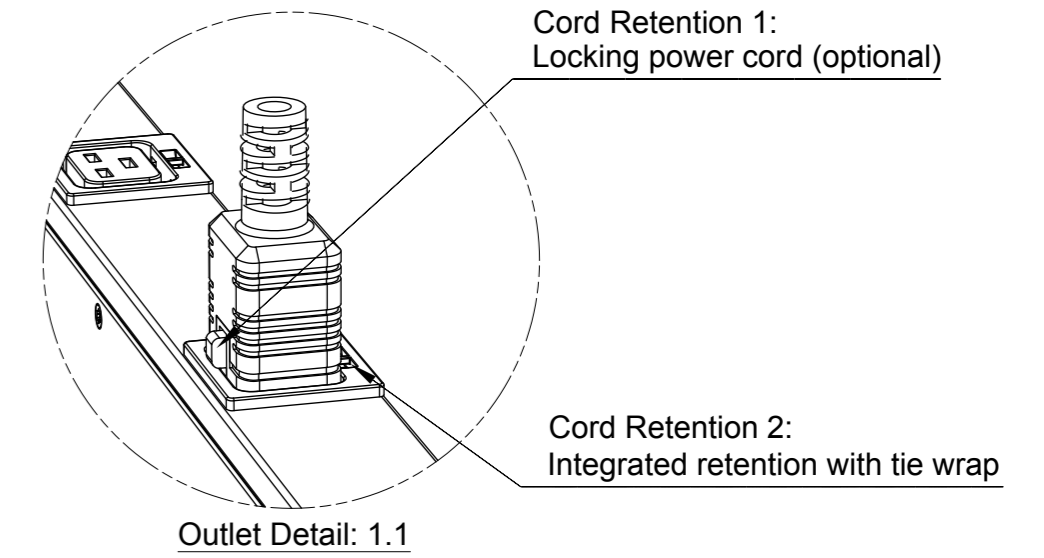
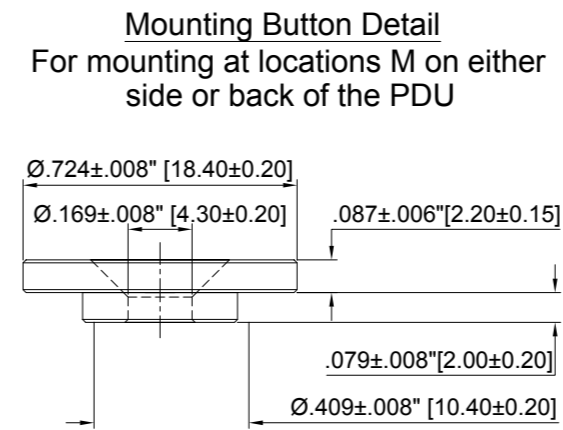
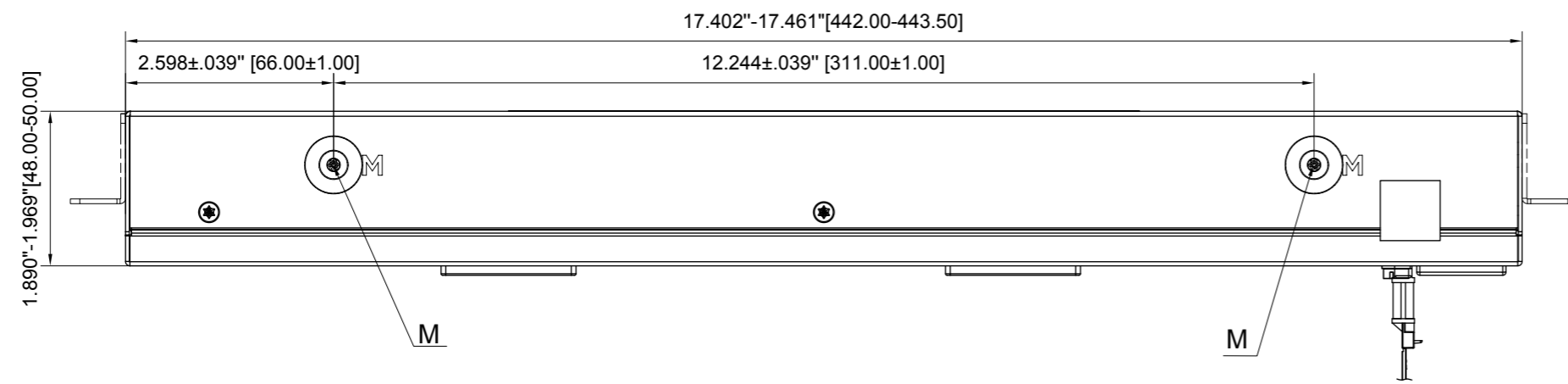
Output Ratings

Nominal Voltage	120VAC, 50/60Hz
Current Rating	24A Max
Max Current/Breaker	20A Max

Outlet Configuration

Total Outlets	(16)5-20R
Outlets / Load Segment	(8)5-20R
Branch Circuit Protection	(2)1-Pole 20A UL 489 Breaker

PDU Classification	Basic
Part Number	P9Q35A
Specification Number	866817-B



Product Information

Input Ratings

Nominal Voltage	230VAC, 1-Ph, 50/60Hz
Input Plug	IEC 60320 C20
Current Rating	16A (Derated)
Power Rating (kVA)	3.68 kVA

Output Ratings

Nominal Voltage	230VAC, 50/60Hz
Current Rating	16A Max

Outlet Configuration

Total Outlets	(2)C19
---------------	--------

Features

Cord Retention 1	Locking power cord (optional)
Cord Retention 2	Integrated retention with tie wrap
Mounting Option	Vertical (0U), Between RETMA rail (0U), Horizontal (1U)
Mounting Hardware	Included

Environmental Conditions

Operating Temperature	50-140°F (10-60°C)
Operating Rel Humidity	10-90%
Operating Elevation	0-10000ft [0-3000m]

Regulatory Information

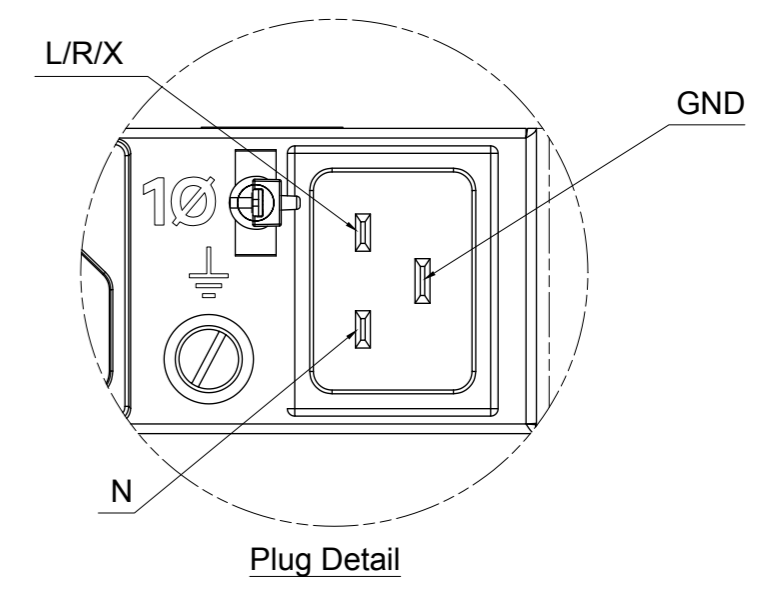
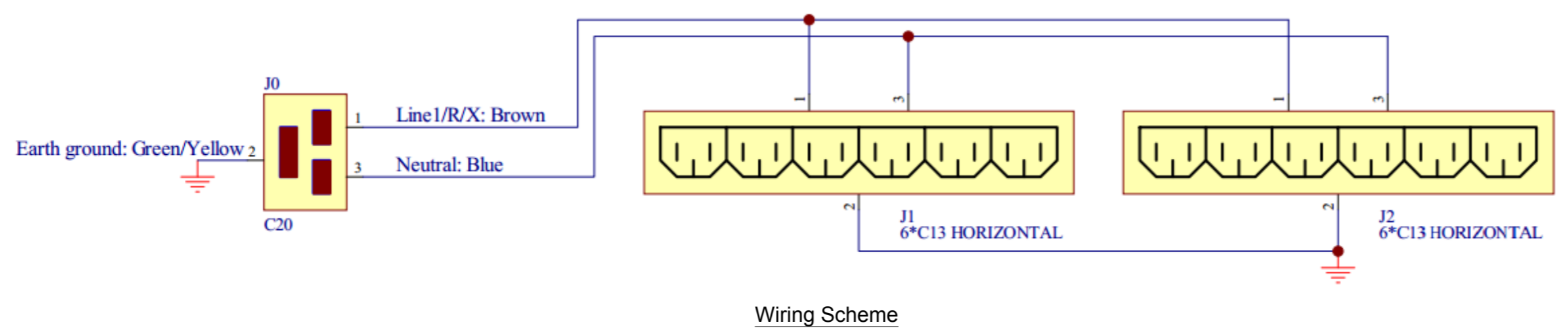
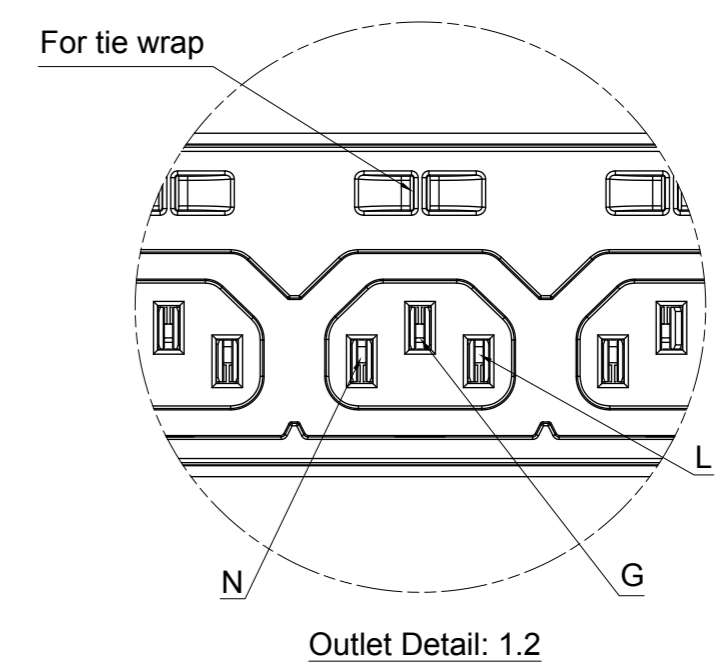
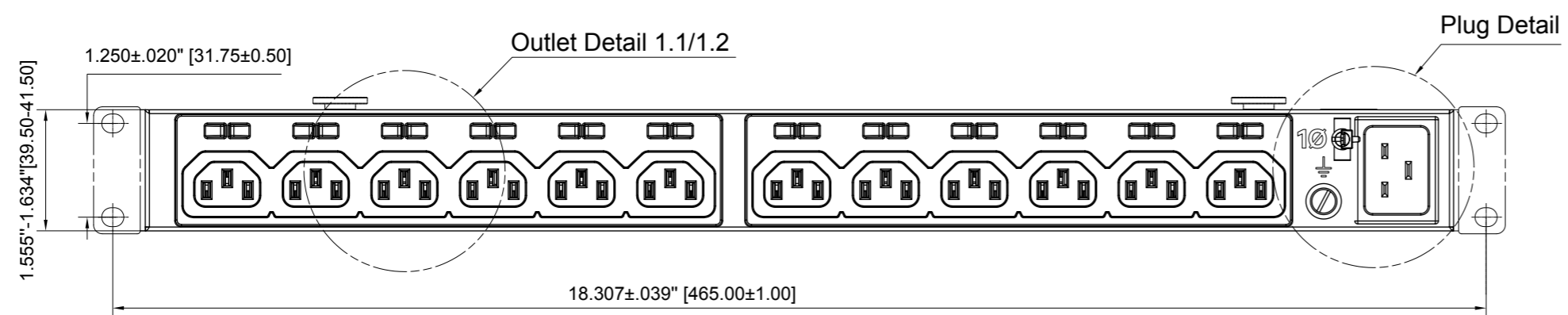
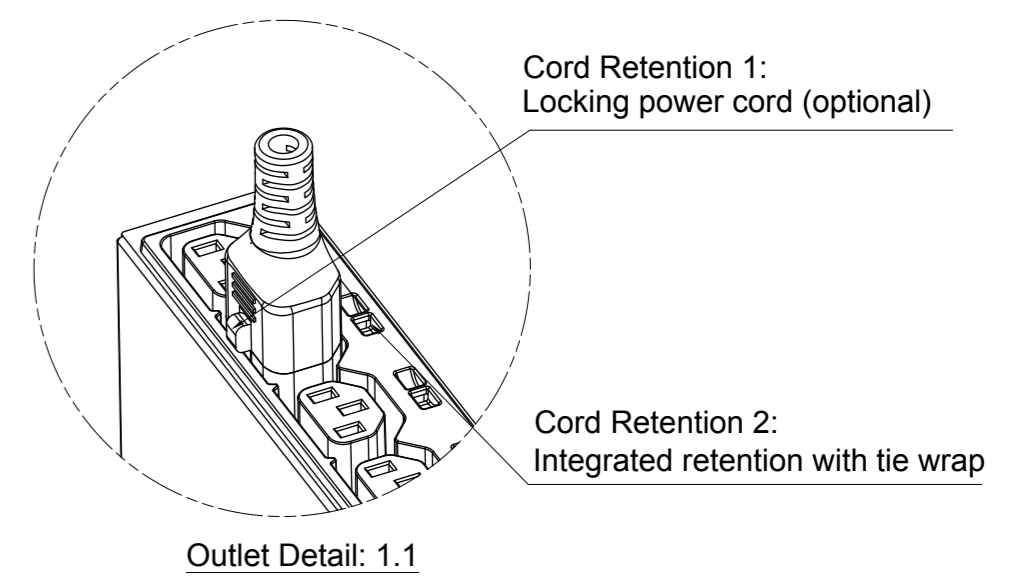
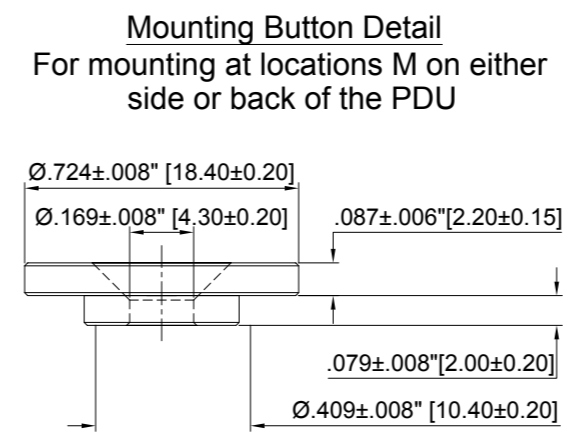
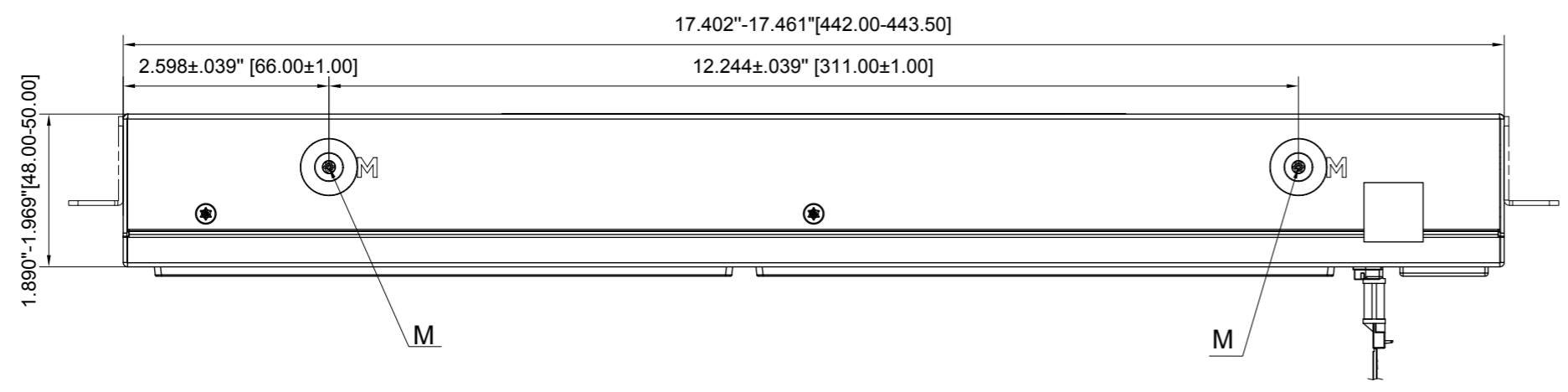
UL or CSA, CB Test, CE, D mark, EAC

Unit Weight

Weight (2.0lbs[0.9kg])

PDU Classification	Basic
Part Number	P9Q36A
Specification Number	866817-B

Hewlett Packard
Enterprise



Product Information

Input Ratings
 Nominal Voltage 230VAC, 1-Ph, 50/60Hz
 Input Plug IEC 60320 C20
 Current Rating 16A (Derated)
 Power Rating (kVA) 3.68 kVA

Features
 Cord Retention 1 Locking power cord (optional)
 Cord Retention 2 Integrated retention with tie wrap
 Mounting Option Vertical (0U), Between RETMA rail (0U), Horizontal (1U)
 Mounting Hardware Included

Output Ratings
 Nominal Voltage 230VAC, 50/60Hz
 Current Rating 16A Max

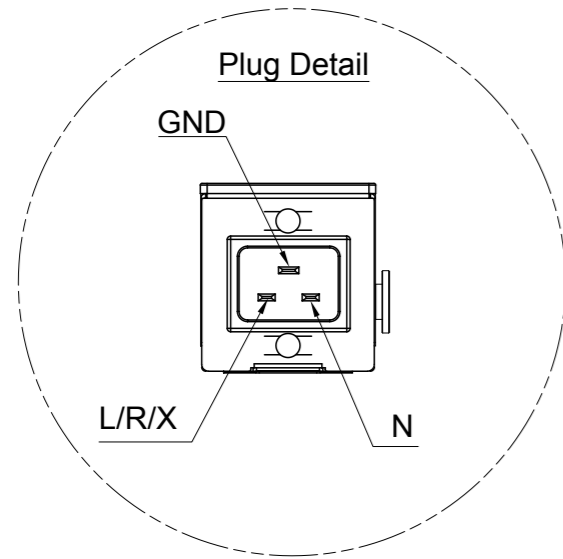
Environmental Conditions
 Operating Temperature 50-140°F (10-60°C)
 Operating Rel Humidity 10-90%
 Operating Elevation 0-10000ft [0-3000m]

Outlet Configuration
 Total Outlets (12)C13

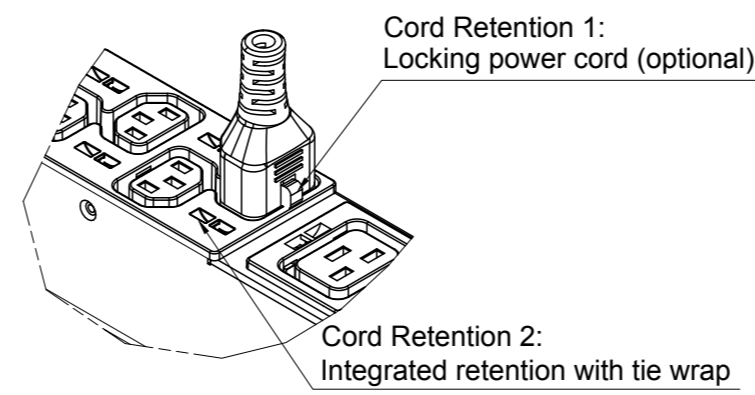
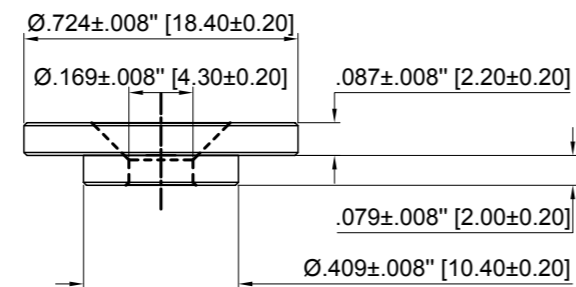
Regulatory Information
 UL or CSA, CB Test, CE, D mark, EAC

Unit Weight
 Weight (2.2lbs[1.0kg])

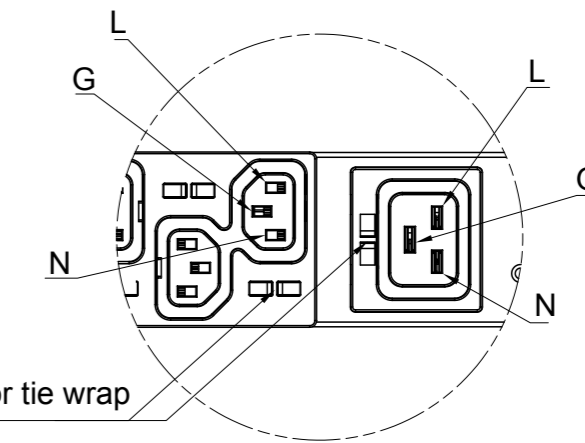
PDU Classification	Basic
Part Number	P9Q37A
Specification Number	866817-B



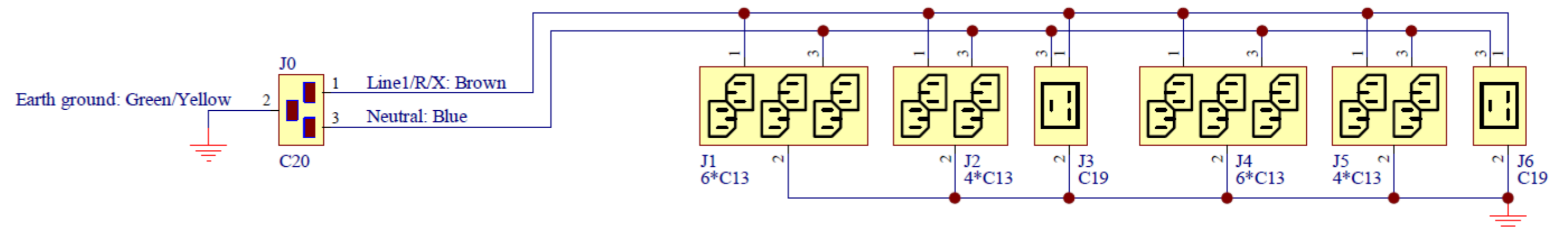
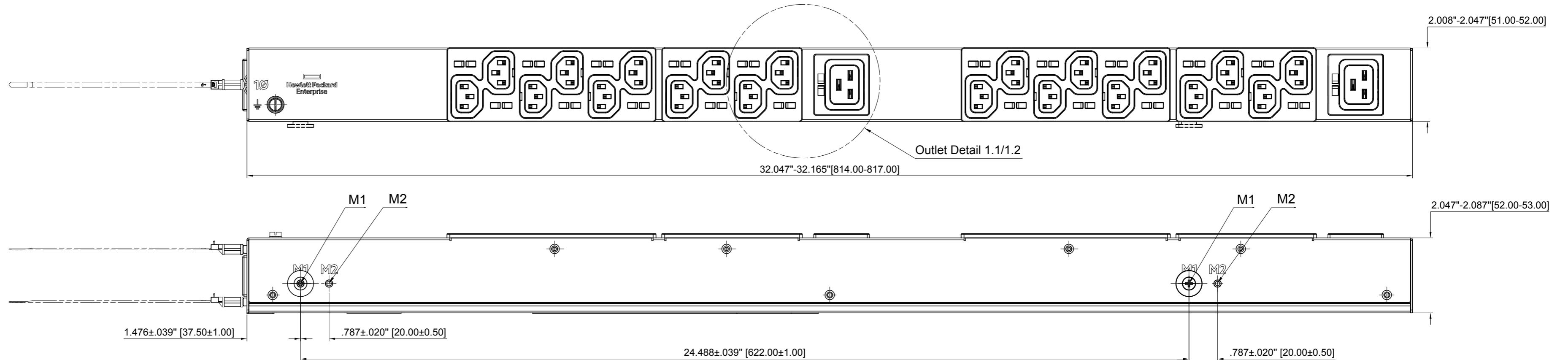
Mounting Button Detail
For mounting at locations M1 or M2 on either side or back of the PDU



Outlet Detail 1.1



Outlet Detail 1.2



Wiring Scheme

Product Information

Input Ratings

Nominal Voltage	230VAC, 1-Ph, 50/60Hz
Input Plug	IEC 60320 C20
Current Rating	16A (Derated)
Power Rating (kVA)	3.68 kVA

Output Ratings

Nominal Voltage	230VAC, 50/60Hz
Current Rating	16A Max

Outlet Configuration

Total Outlets	(20)C13, (2)C19
---------------	-----------------

Features

Cord Retention 1	Locking power cord (optional)
Cord Retention 2	Integrated retention with tie wrap
Mounting Option	Vertical (0U)
Mounting Hardware	Included

Environmental Conditions

Operating Temperature	50-140°F (10-60°C)
Operating Rel Humidity	10-90%
Operating Elevation	0-10000ft [0-3000m]

Regulatory Information

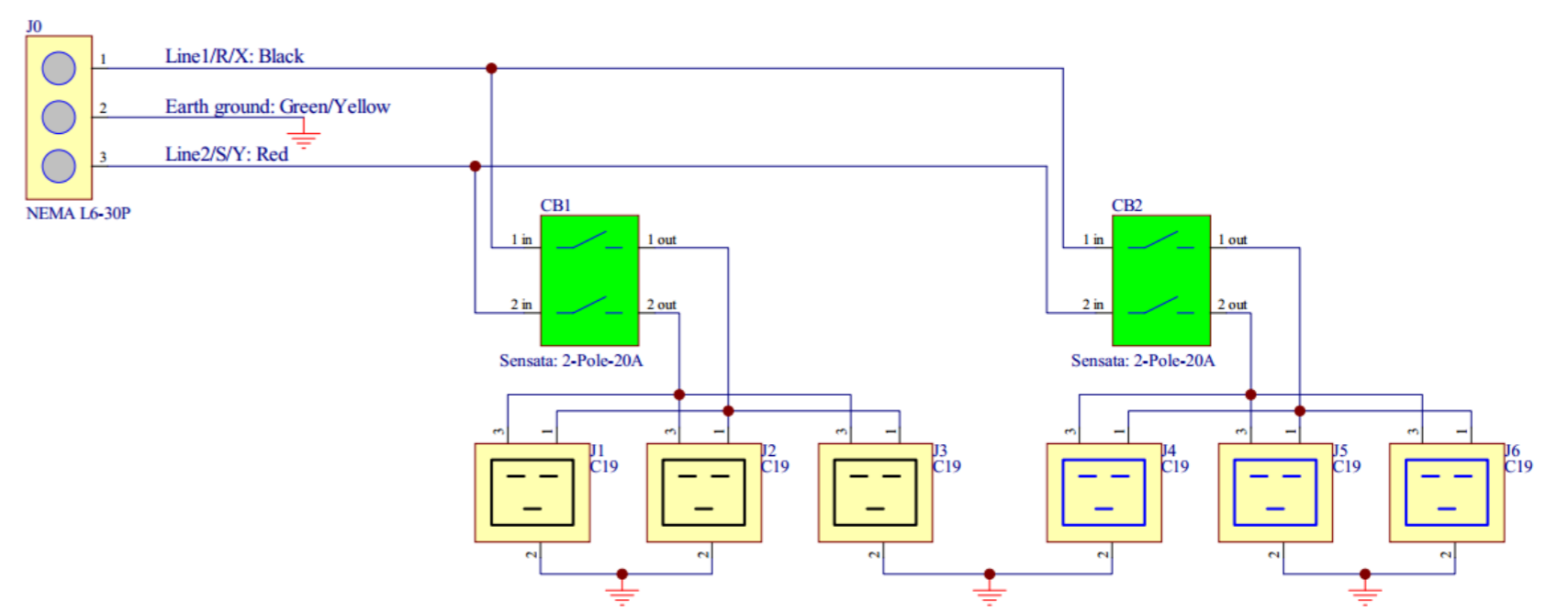
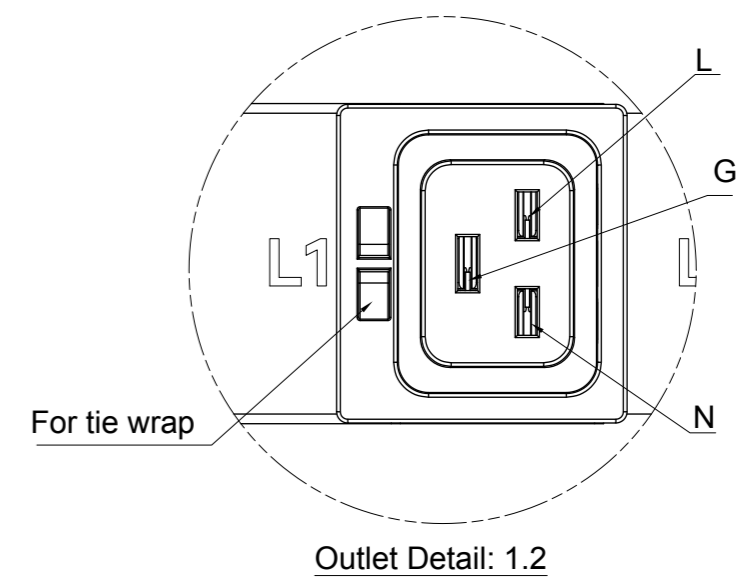
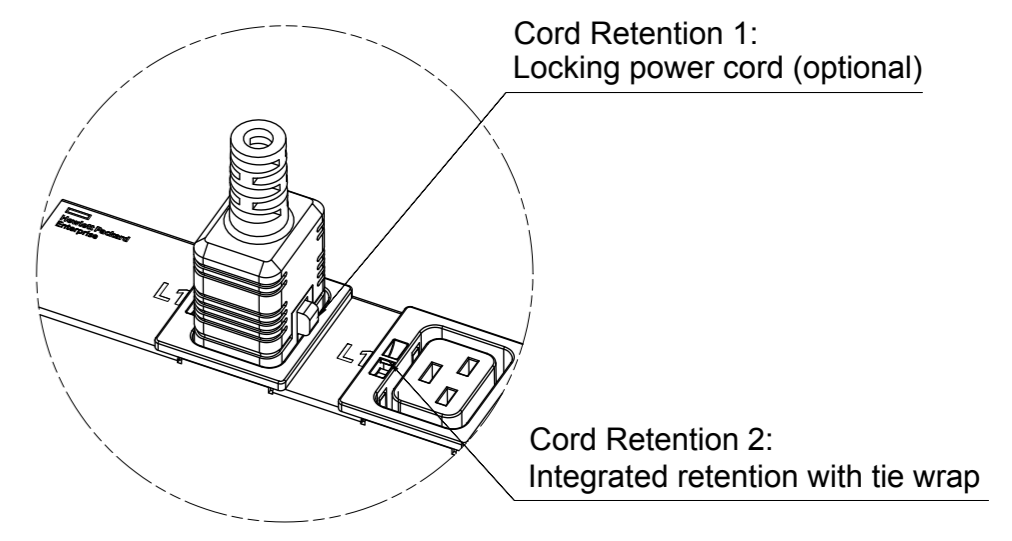
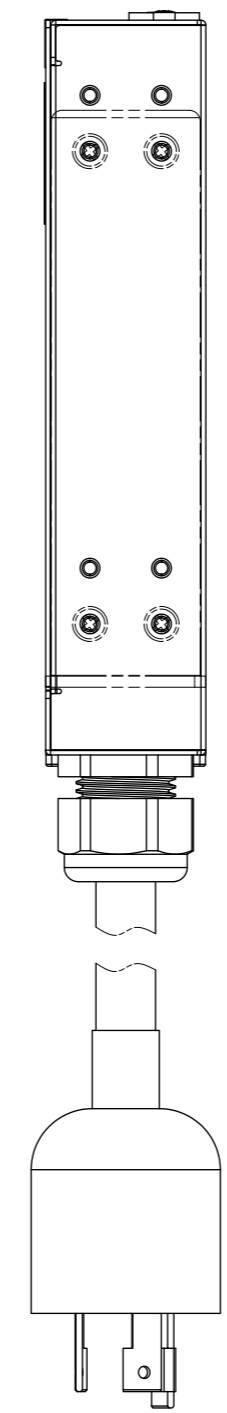
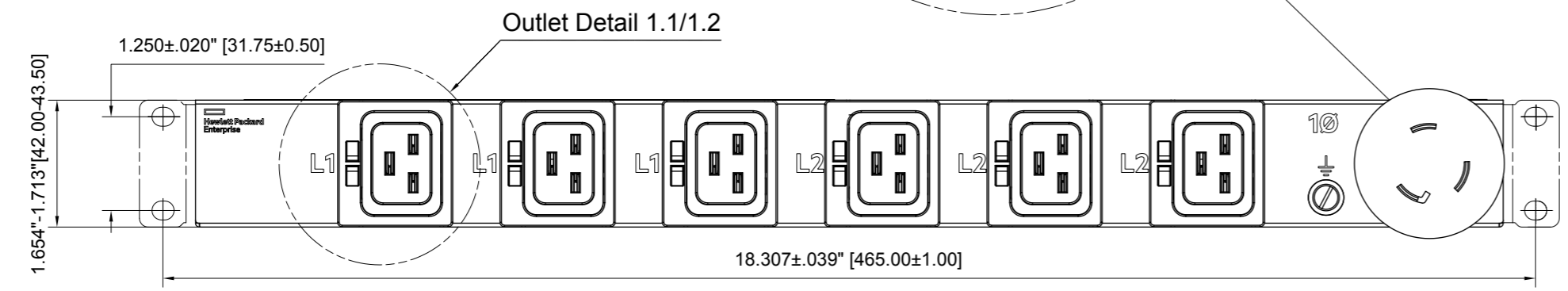
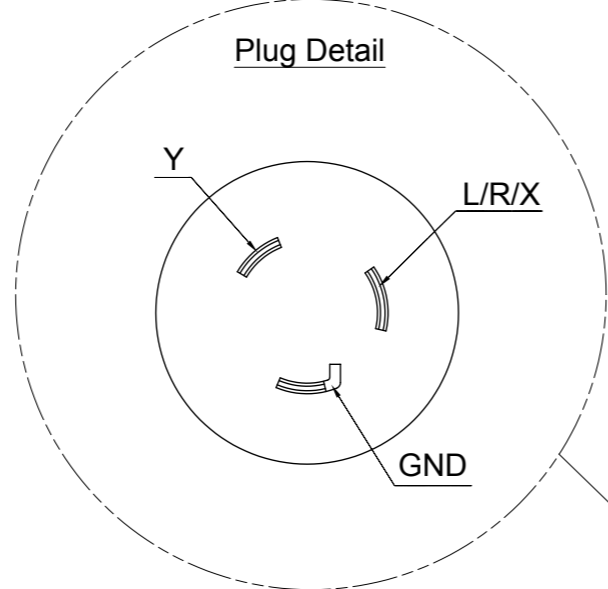
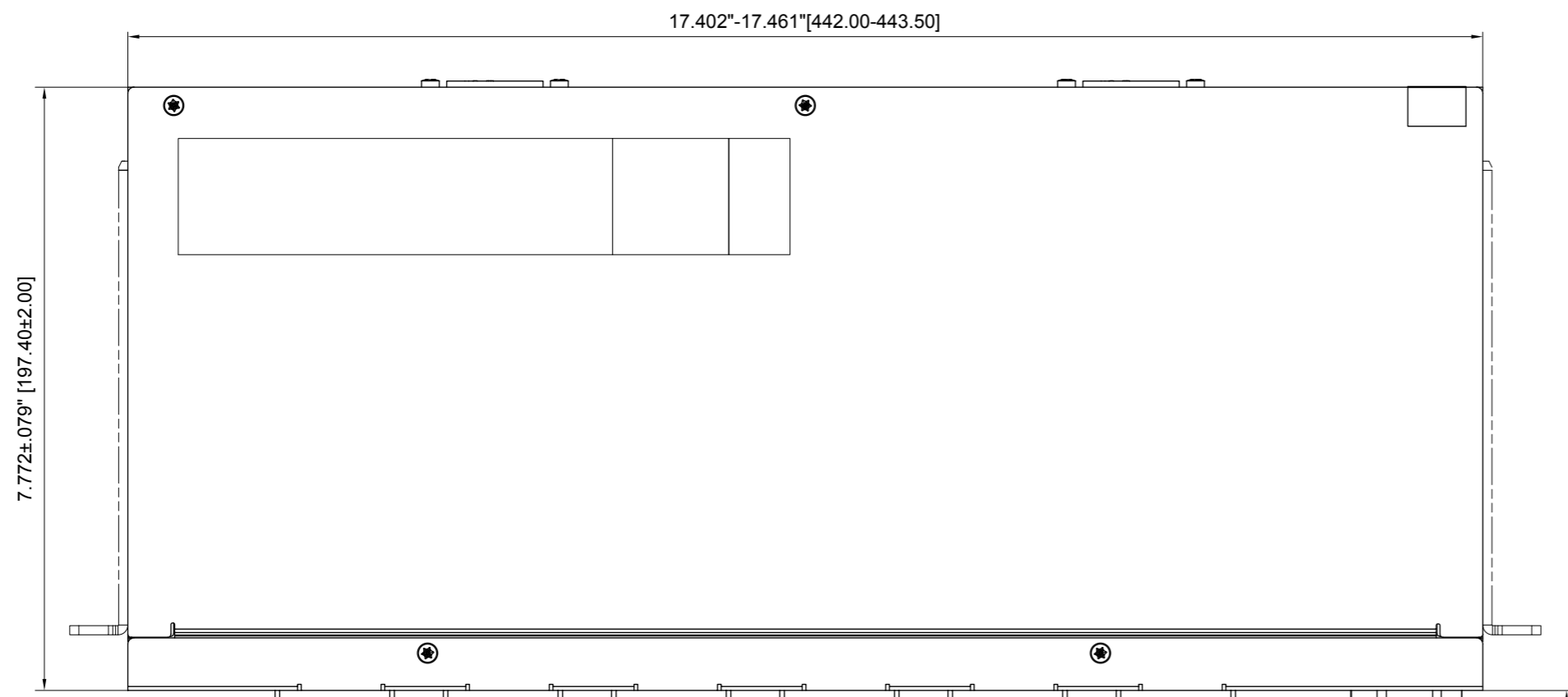
UL or CSA, CB test, CE, D mark, EAC

Unit Weight

Weight (4.5lbs[2.1kg])

PDU Classification	Basic
Part Number	P9Q38A
Specification Number	866817-B





Product Information

Input Ratings
 Nominal Voltage 208VAC, 1-Ph, 50/60Hz
 Input Plug NEMA L6-30P (Over-molded)
 Cord Type/Length Type SJT; 90°C;300V;10AWG;3C/(12')
 Current Rating 24A (Derated)
 Power Rating (kVA) 4.992 kVA

Output Ratings
 Nominal Voltage 208VAC, 50/60Hz
 Current Rating 24A Max
 Max Current/Breaker 16A Max

Outlet Configuration
 Total Outlets (6)C19
 Outlets / Load Segment (3)C19
 Branch Circuit Protection (2) 2-Pole 20A UL 489 Breaker

Features
 Cord Retention 1 Locking power cord (optional)
 Cord Retention 2 Integrated retention with tie wrap
 Mounting Option Between RETMA rail (0U), Horizontal (1U)
 Mounting Hardware Included

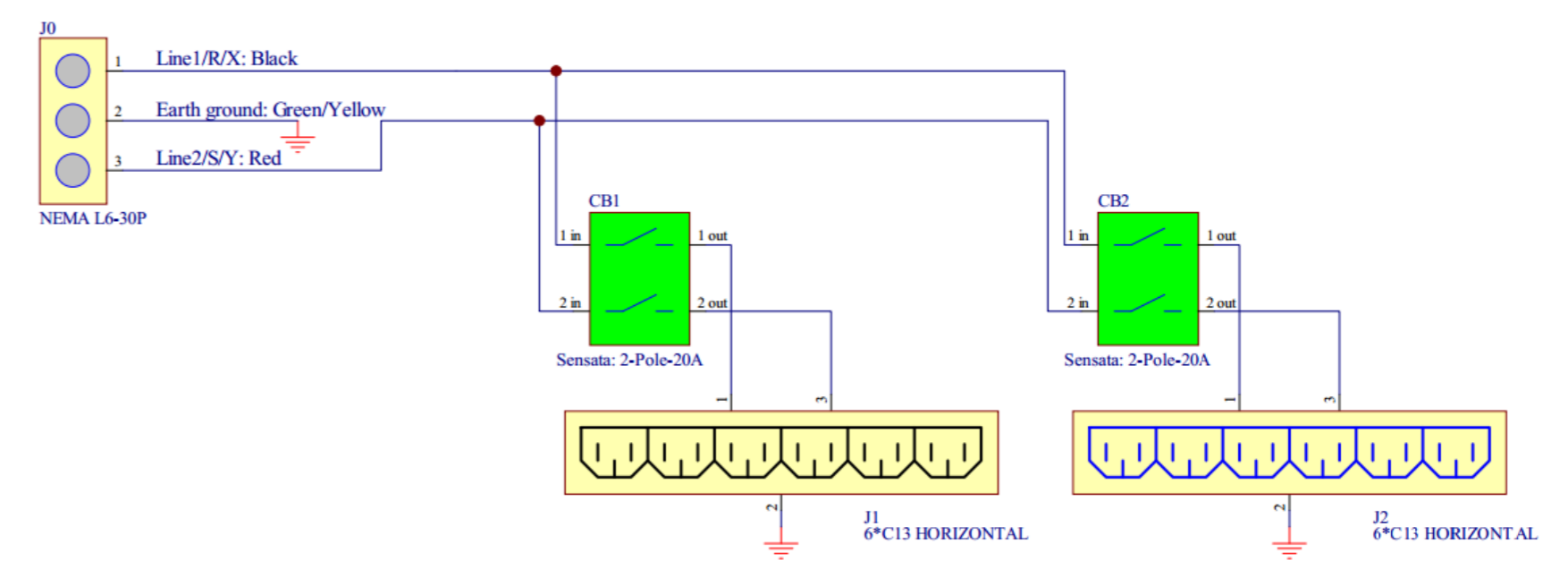
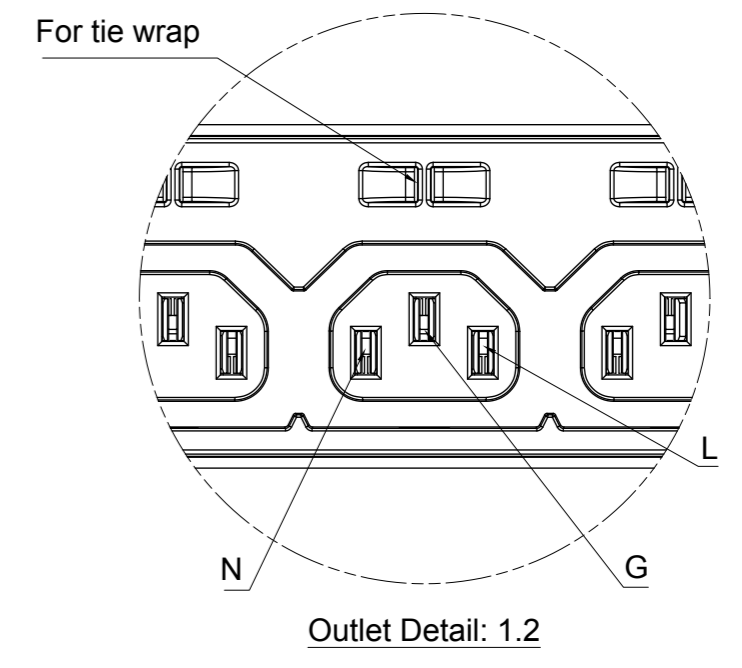
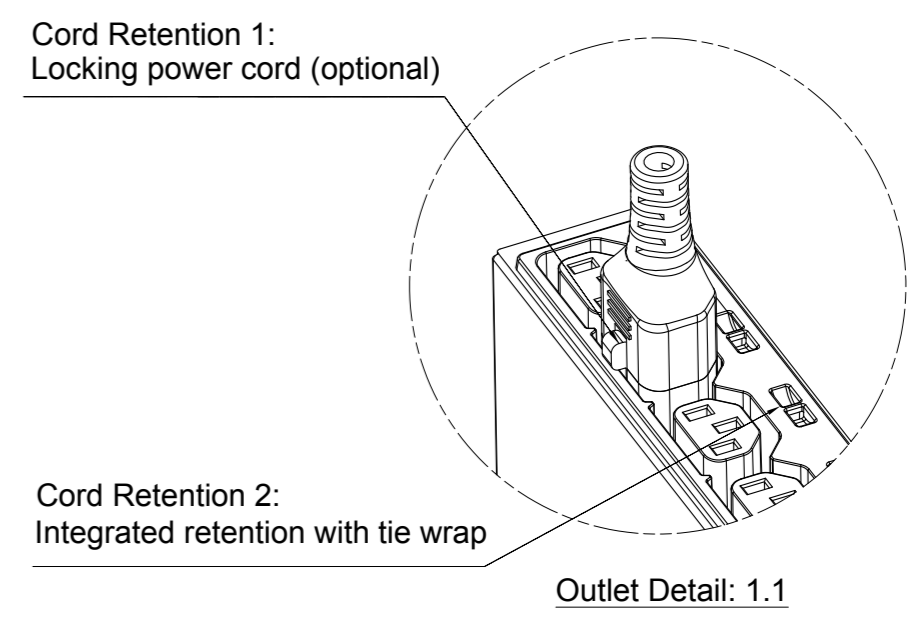
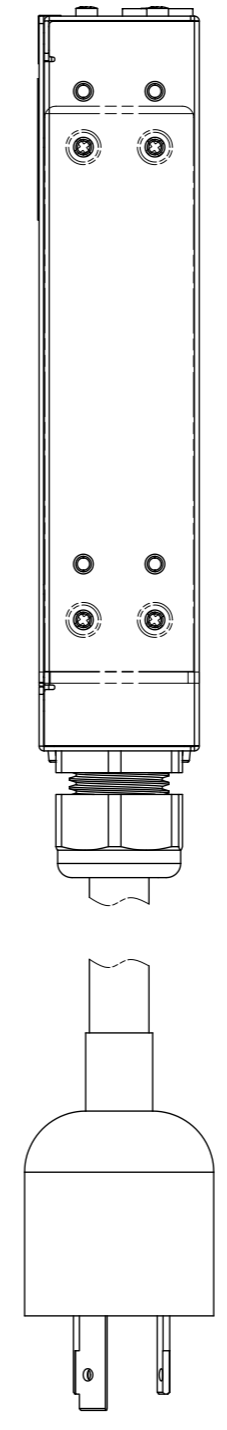
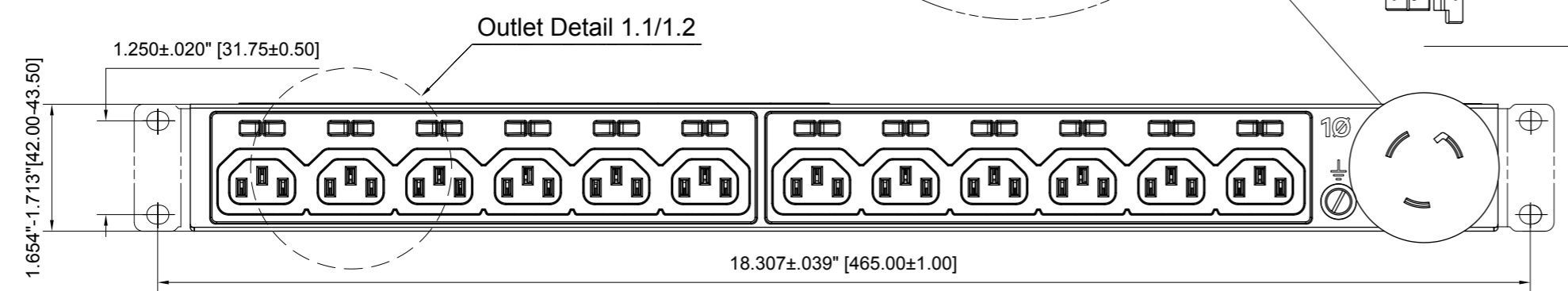
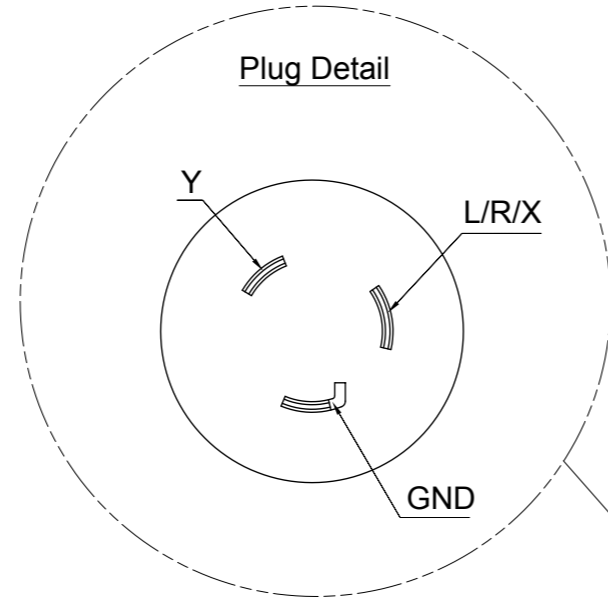
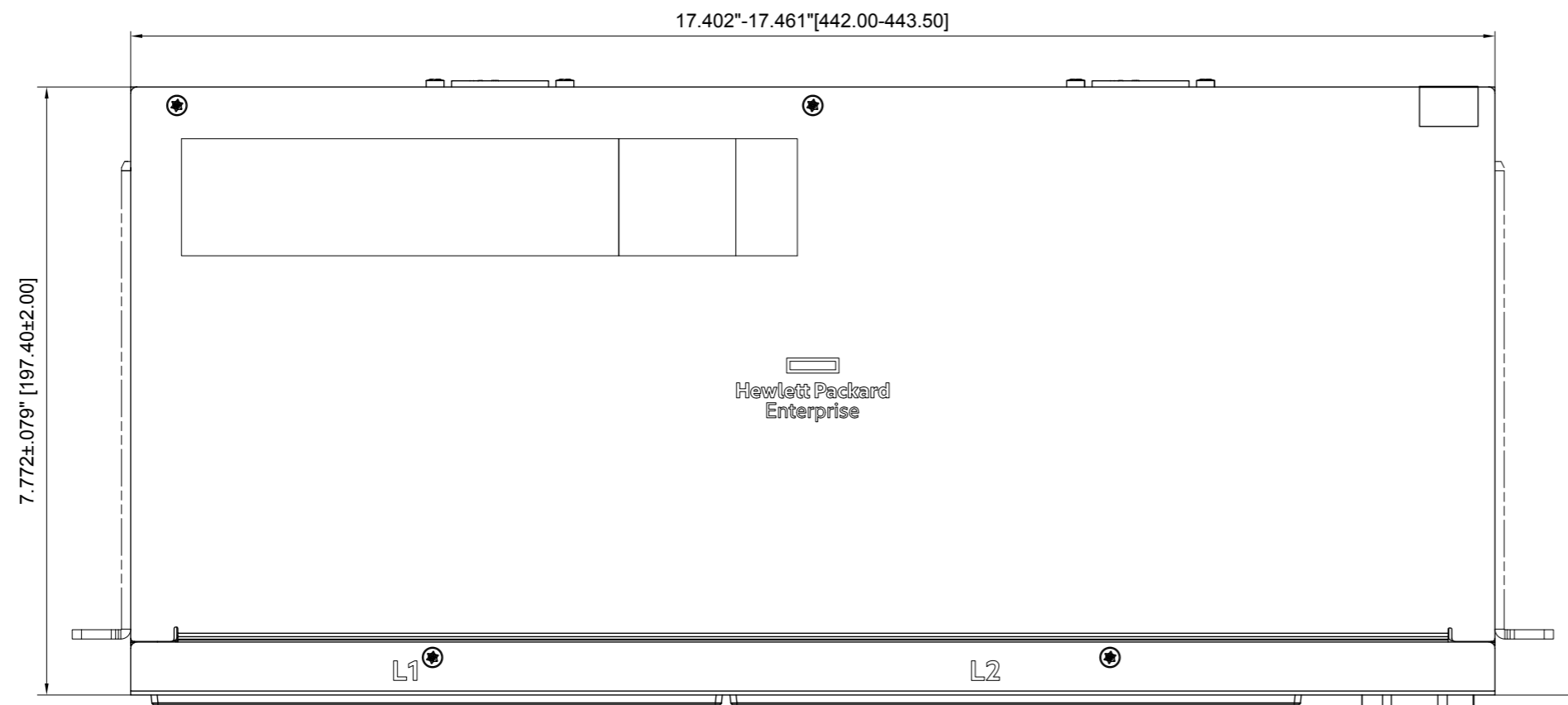
Environmental Conditions
 Operating Temperature 50-140°F (10-60°C)
 Operating Rel Humidity 10-90%
 Operating Elevation 0-10000ft [0-3000m]

Regulatory Information
 UL or CSA, CB Test

Unit Weight
 Weight (9.8lbs[4.4kg])

PDU Classification	Basic
Part Number	P9Q39A
Specification Number	866817-B





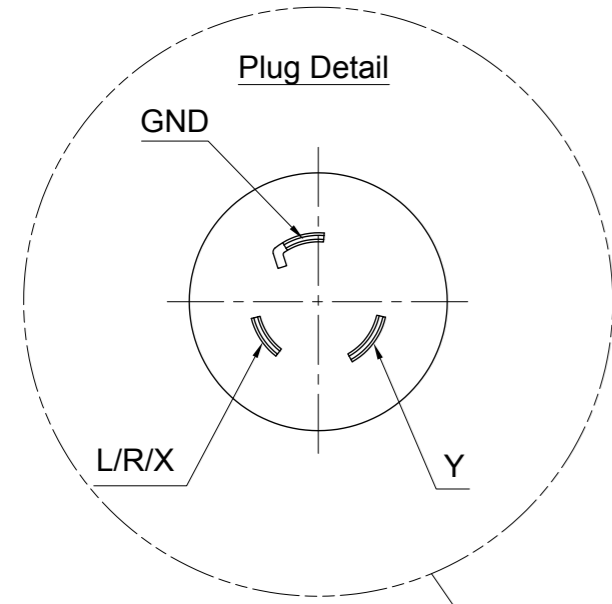
Product Information

Input Ratings	
Nominal Voltage	208VAC, 1-Ph, 50/60Hz
Input Plug	NEMA L6-30P (Over-molded)
Cord Type/Length	Type SJT; 90°C;300V;10AWG;3C/(12')
Current Rating	24A (Derated)
Power Rating (kVA)	4.992 kVA
Output Ratings	
Nominal Voltage	208VAC, 50/60Hz
Current Rating	24A Max
Max Current/Breaker	16A Max

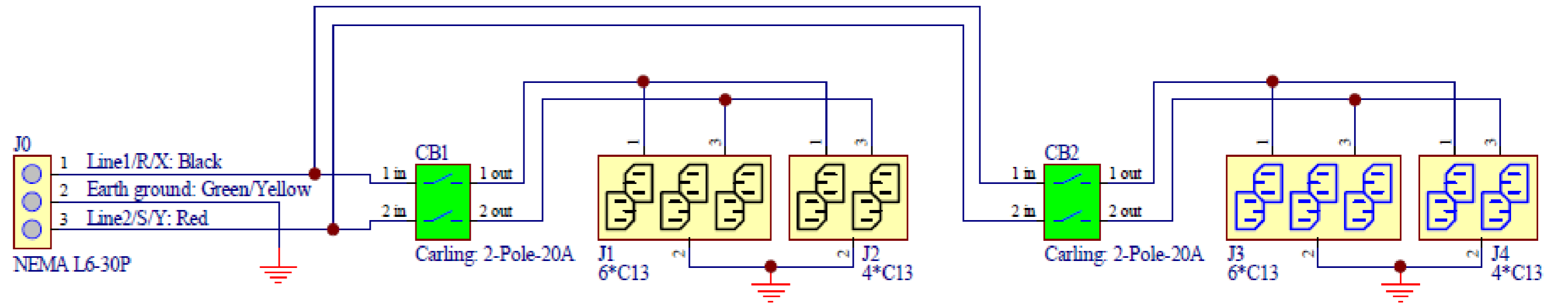
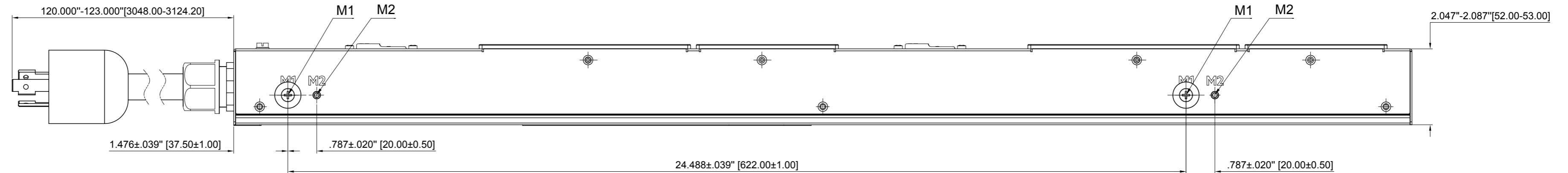
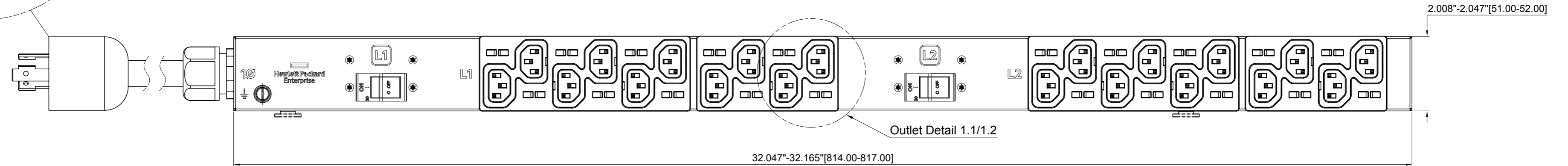
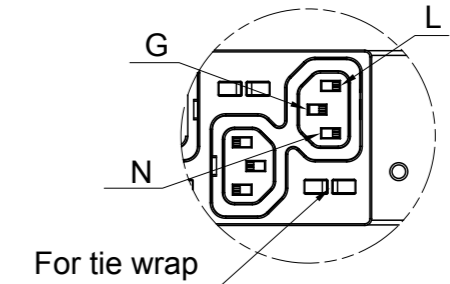
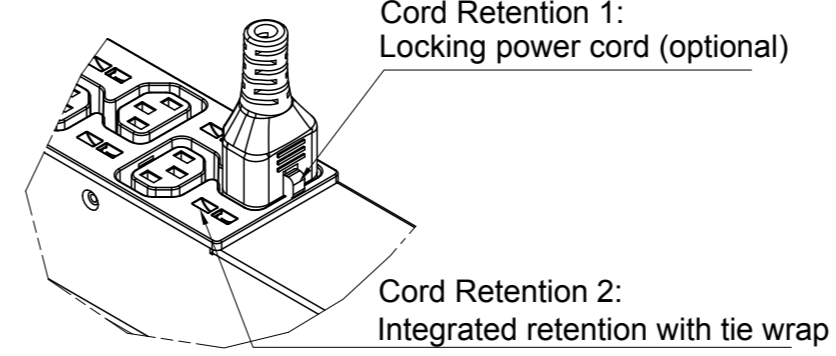
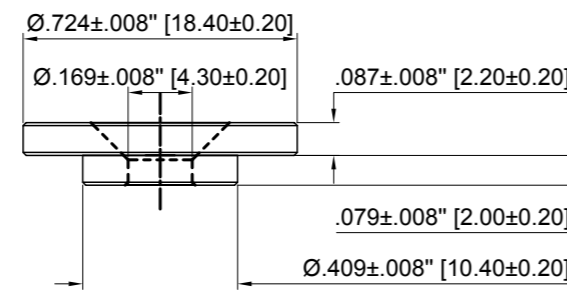
Outlet Configuration	
Total Outlets	(12)C13
Outlets / Load Segment	(6)C13
Branch Circuit Protection	(2) 2-Pole 20A UL 489 Breaker
Features	
Cord Retention 1	Locking power cord (optional)
Cord Retention 2	Integrated retention with tie wrap
Mounting Option	Between RETMA rail (0U), Horizontal (1U)
Mounting Hardware	Included

Environmental Conditions	
Operating Temperature	50-140°F (10-60°C)
Operating Rel Humidity	10-90%
Operating Elevation	0-10000ft [0-3000m]
Regulatory Information	
UL or CSA, CB Test	
Unit Weight	
Weight (10.2lbs[4.6kg])	

PDU Classification	Basic
Part Number	P9Q40A
Specification Number	866817-B



Mounting Button Detail
For mounting at locations M1 or M2 on either side or back of the PDU



Wiring Scheme

Product Information

Input Ratings
Nominal Voltage: 208VAC, 1-Ph, 50/60Hz
Input Plug: NEMA L6-30P (Over-molded)
Cord Type/Length: Type SJT; 90C; 300V; 10AWG; 3C/(10')
Current Rating: 24A (Derated)
Power Rating (kVA): 4.992 kVA

Output Ratings
Nominal Voltage: 208VAC, 50/60Hz
Current Rating: 24A Max
Max Current/Breaker: 20A Max

Outlet Configuration
Total Outlets: (20)C13
Outlets / Load Segment: (10)C13
Branch Circuit Protection: (2) 2-Pole 20A UL 489 Breaker

Features
Cord Retention 1: Locking power cord (optional)
Cord Retention 2: Integrated retention with tie wrap
Mounting Option: Vertical (0U)
Mounting Hardware: Included

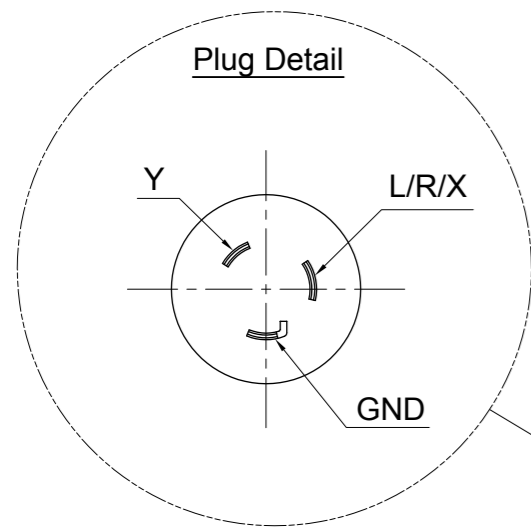
Environmental Conditions
Operating Temperature: 50-140°F (10-60°C)
Operating Rel Humidity: 10-90%
Operating Elevation: 0-10000ft [0-3000m]

Regulatory Information
UL or CSA, CB test

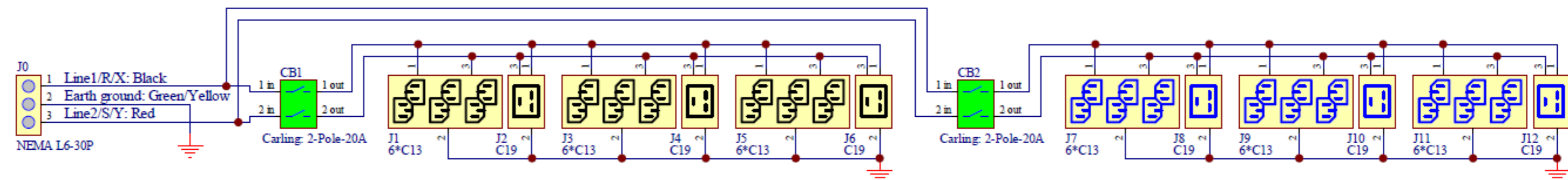
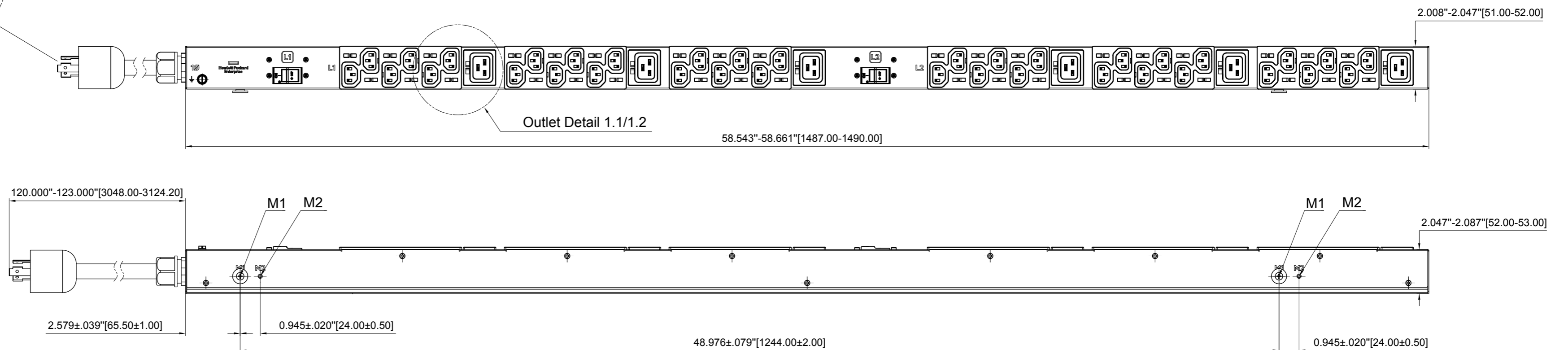
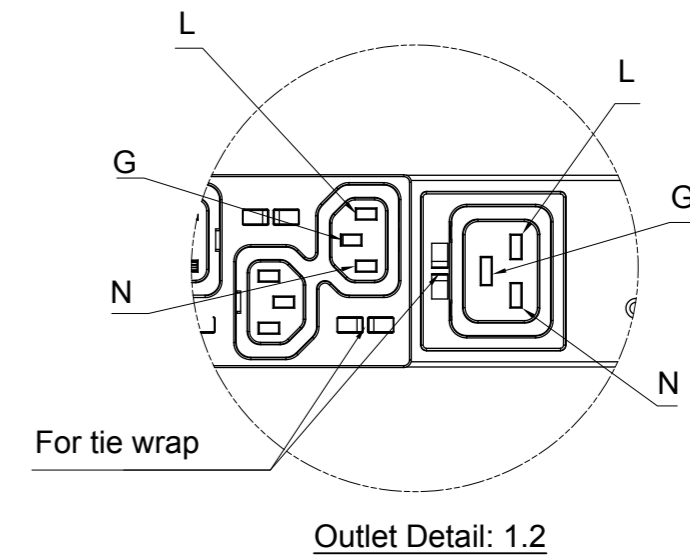
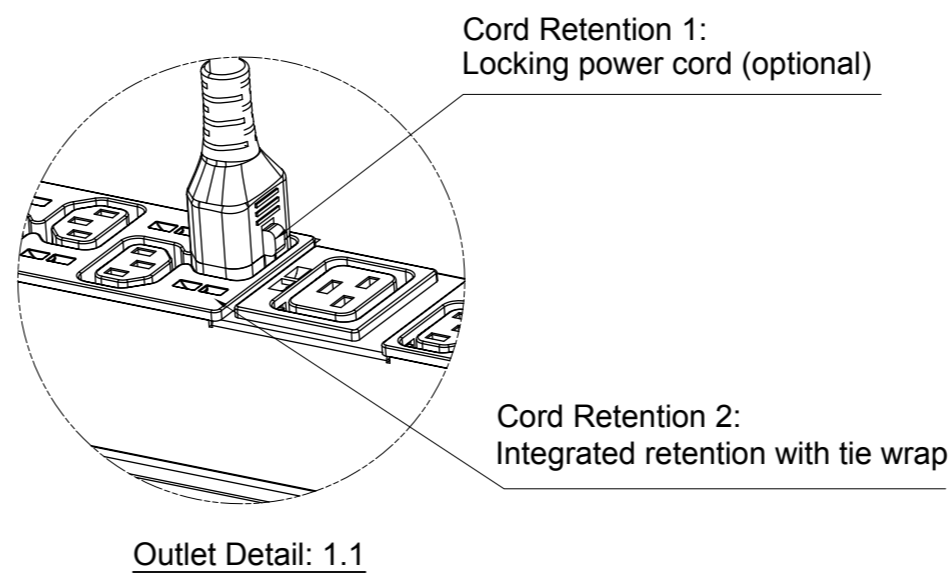
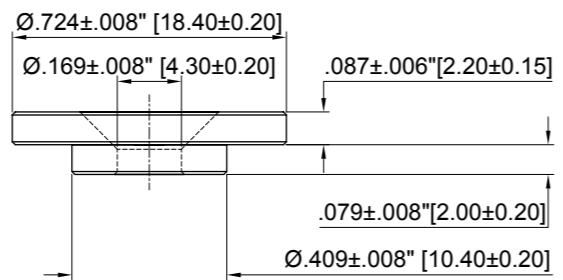
Unit Weight
Weight (8.3lbs[3.8kg])

PDU Classification	Basic
Part Number	P9Q41A
Specification Number	866817-B





Mounting Button Detail
For mounting at locations M1 or M2 on either side or back of the PDU



Wiring Scheme

Product Information

Input Ratings

Nominal Voltage	208VAC, 1-Ph, 50/60Hz
Input Plug	NEMA L6-30P (Over-molded),
Cord Type/Length	Type SJT; 90°C; 300V; 10AWG; 3C/(10')
Current Rating	24A (Derated)
Power Rating (kVA)	4.992 kVA

Output Ratings

Nominal Voltage	208VAC, 50/60Hz
Current Rating	24A Max
Max Current/Breaker	20A Max

Outlet Configuration

Total Outlets	(36)C13, (6)C19
Outlets / Load Segment	(18)C13, (3)C19
Branch Circuit Protection	(2) 2-Pole 20A UL 489 Breaker

Features

Cord Retention 1	Locking power cord (optional)
Cord Retention 2	Integrated retention with tie wrap
Mounting Option	Vertical (0U)
Mounting Hardware	Included

Environmental Conditions

Operating Temperature	50-140°F (10-60°C)
Operating Rel Humidity	10-90%
Operating Elevation	0-10000ft [0-3000m]

Regulatory Information

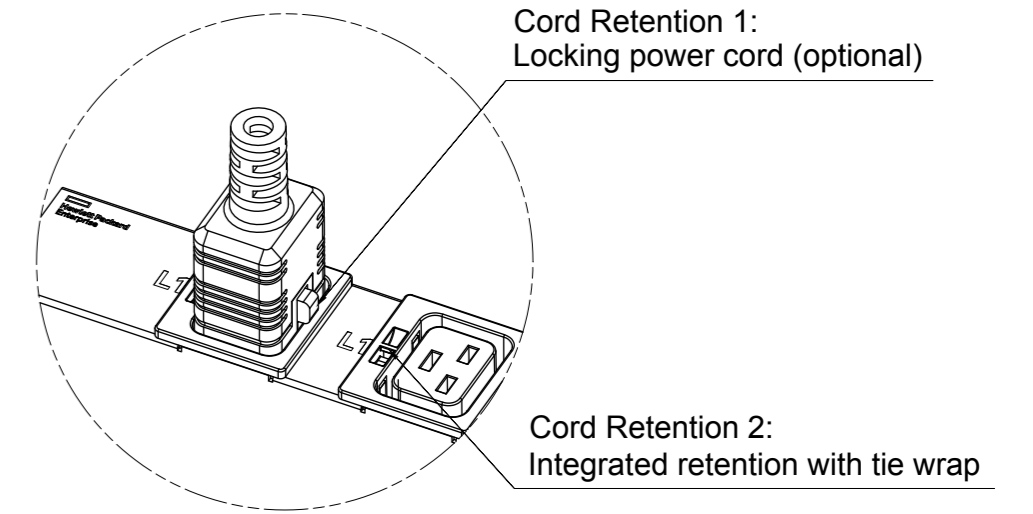
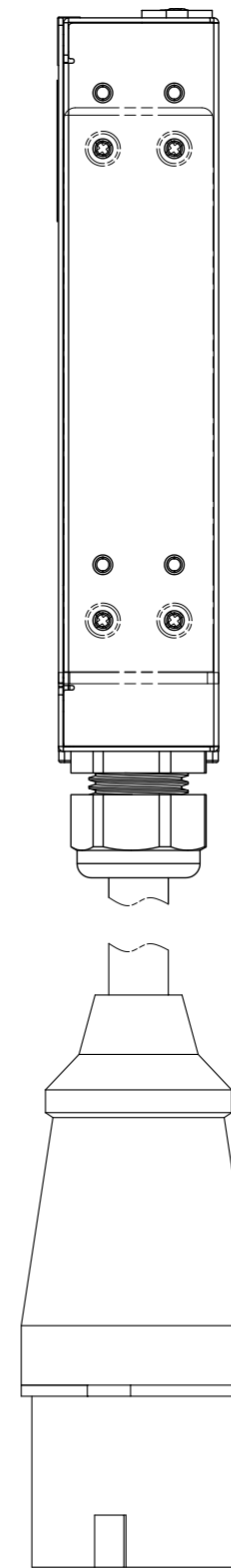
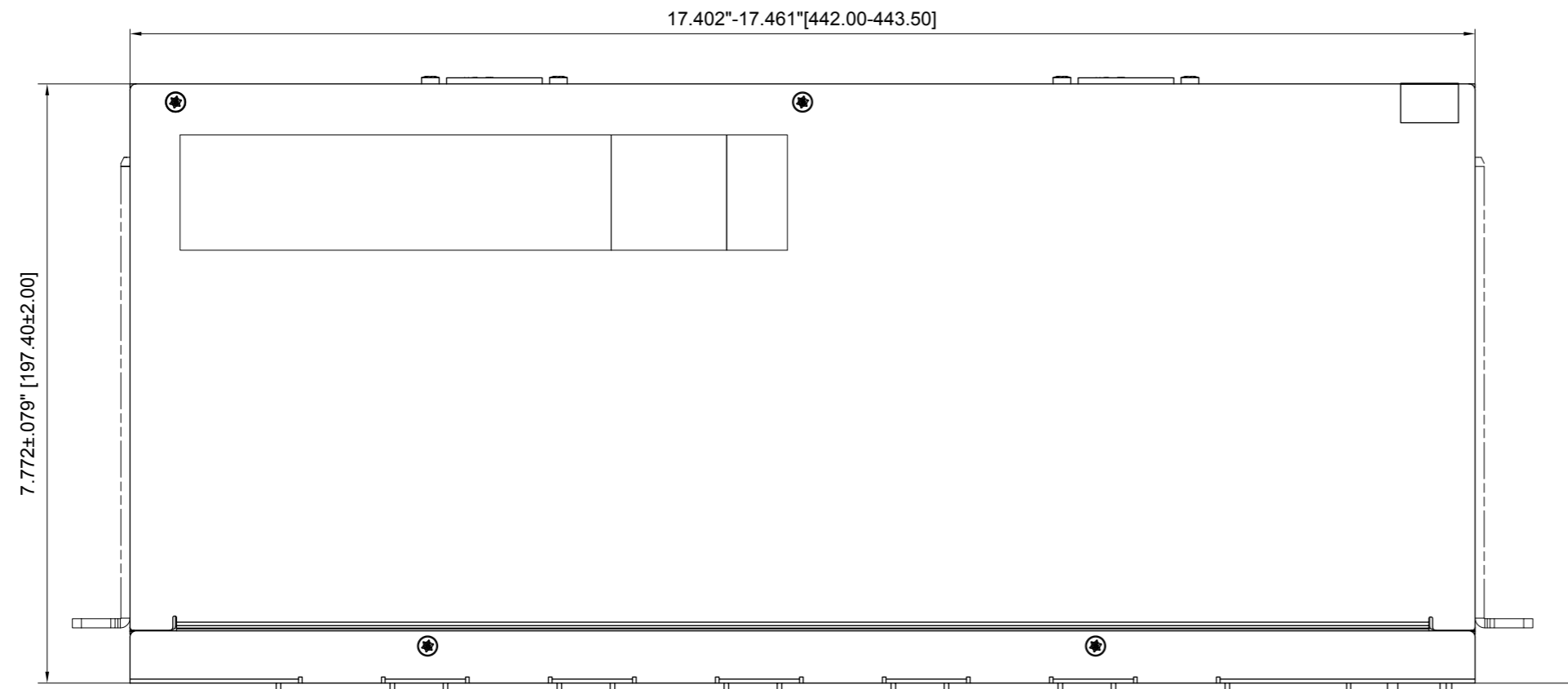
UL or CSA, CB Test

Unit Weight

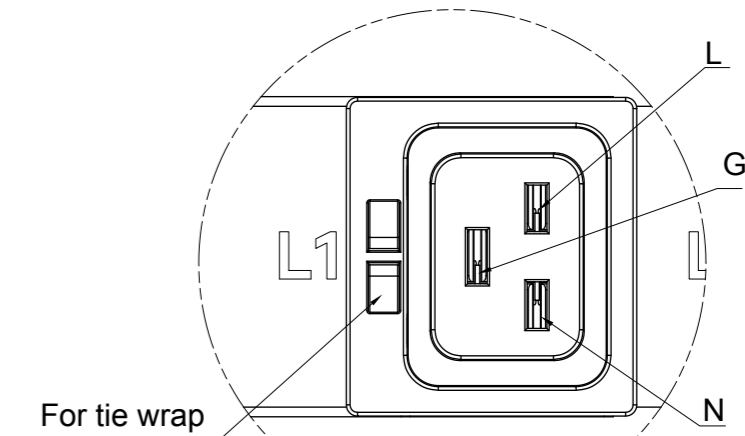
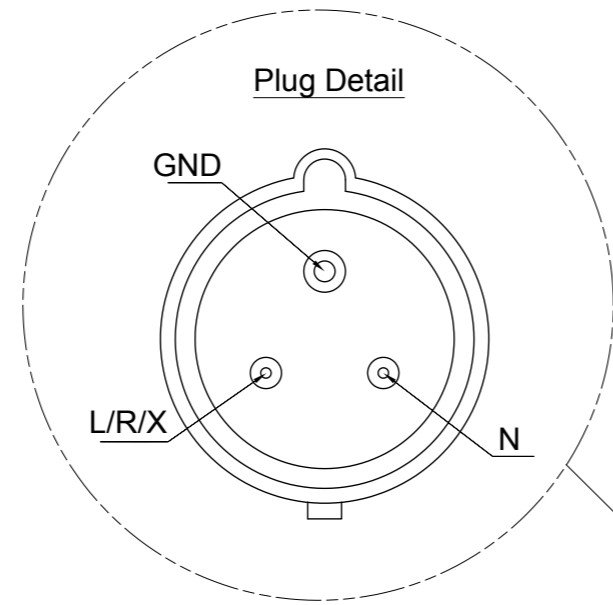
Weight (12.5lbs[5.7kg])

PDU Classification	Basic
Part Number	P9Q42A
Specification Number	866817-B

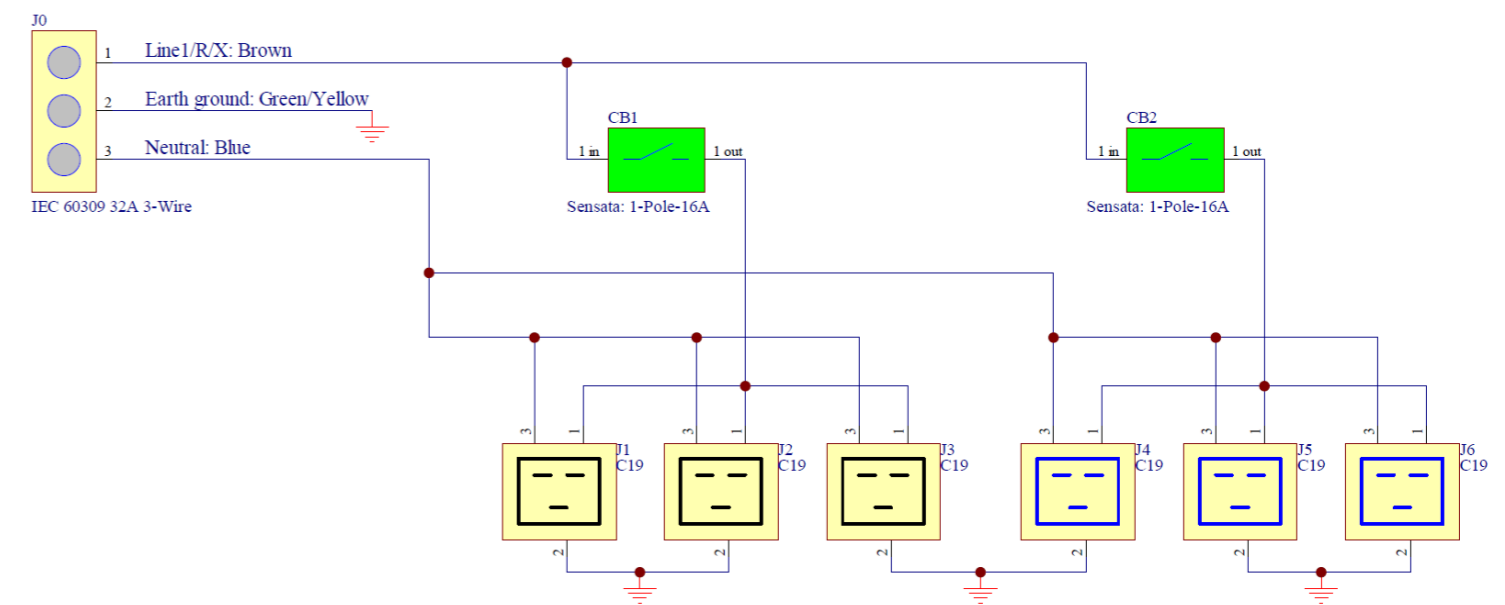
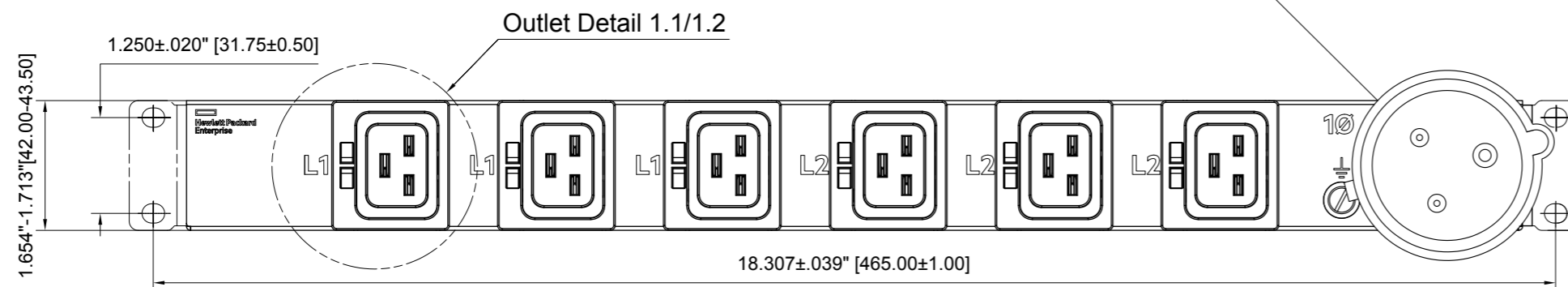
Hewlett Packard Enterprise



Outlet Detail: 1.1



Outlet Detail: 1.2



Wiring Scheme

Product Information

Input Ratings

Nominal Voltage	230VAC, 1-Ph, 50/60Hz
Input Plug	IEC 60309 32A 3-wire
Cord Type/Length	H07RNF3G4(12')
Current Rating	32A
Power Rating (kVA)	7.36 kVA

Output Ratings

Nominal Voltage	230VAC, 50/60Hz
Current Rating	32A Max
Max Current/Breaker	16A Max

Outlet Configuration

Total Outlets	(6)C19
Outlets / Load Segment	(3)C19
Branch Circuit Protection	(2) 1-Pole 16A UL 489 Breaker

Features

Cord Retention 1	Locking power cord (optional)
Cord Retention 2	Integrated retention with tie wrap
Mounting Option	Between RETMA rail (0U), Horizontal (1U)
Mounting Hardware	Included

Environmental Conditions

Operating Temperature	50-140°F (10-60°C)
Operating Rel Humidity	10-90%
Operating Elevation	0-10000ft [0-3000m]

Regulatory Information

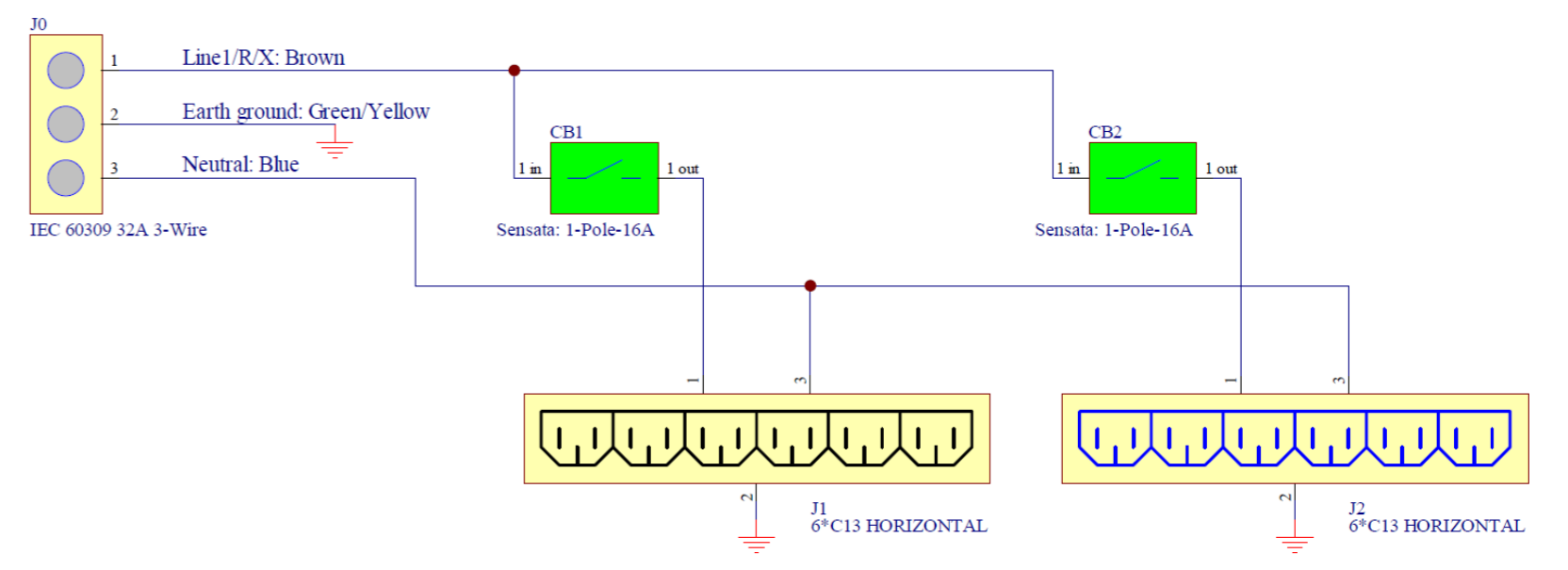
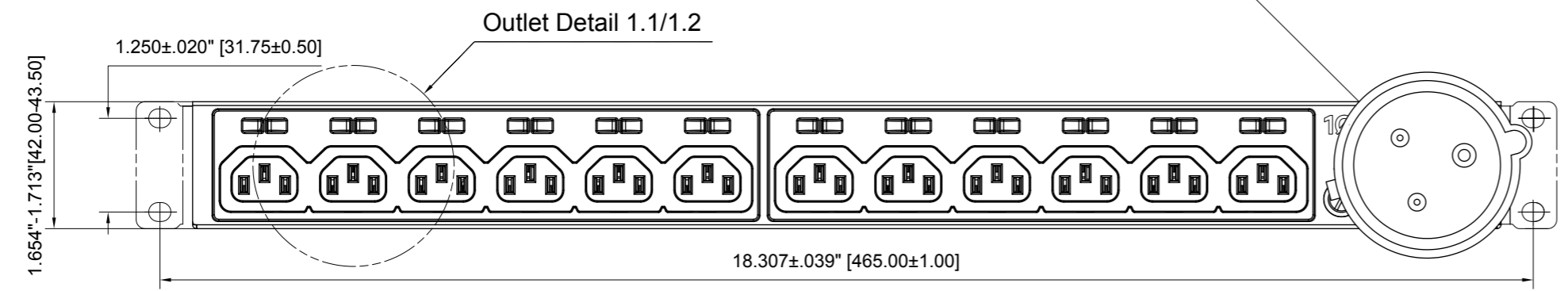
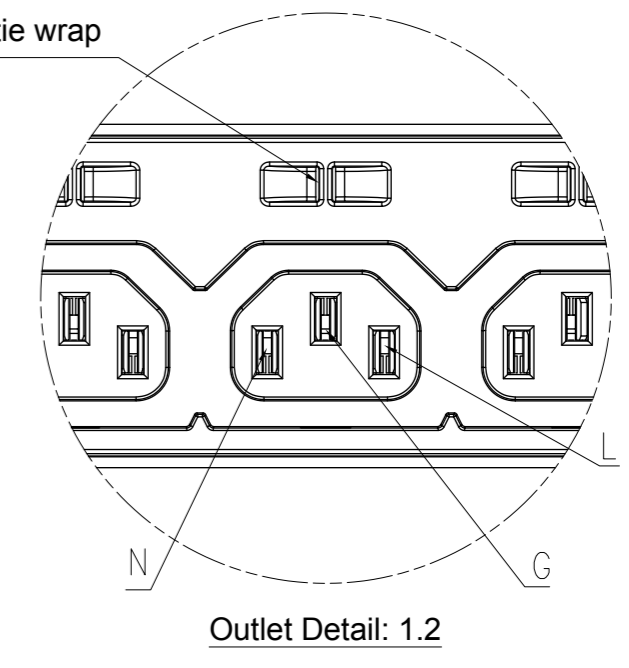
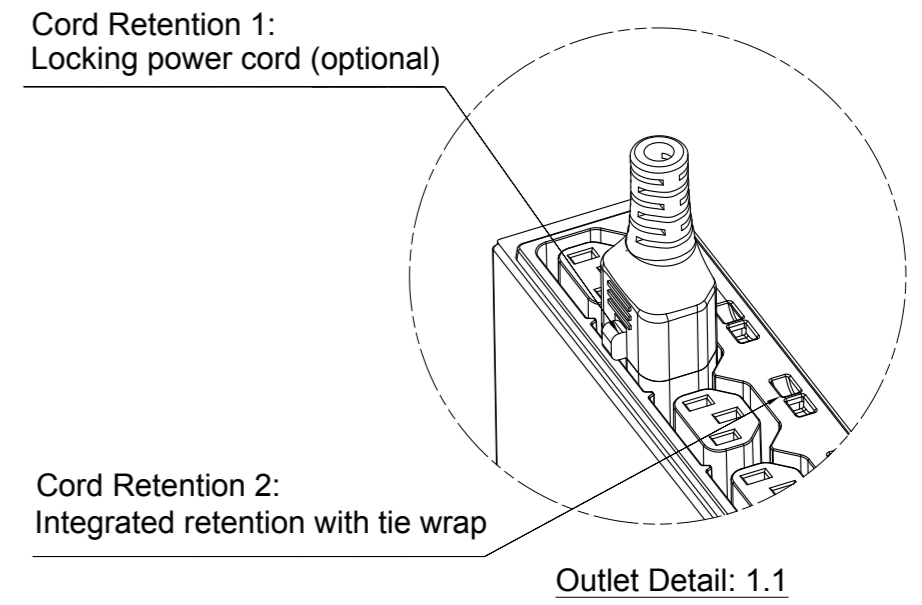
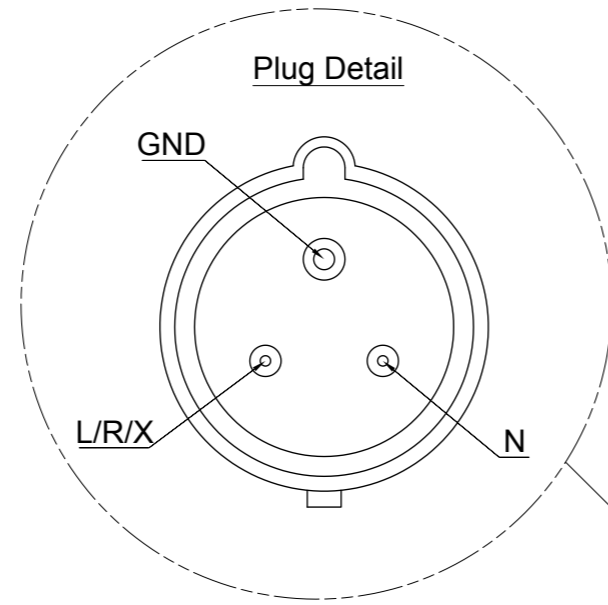
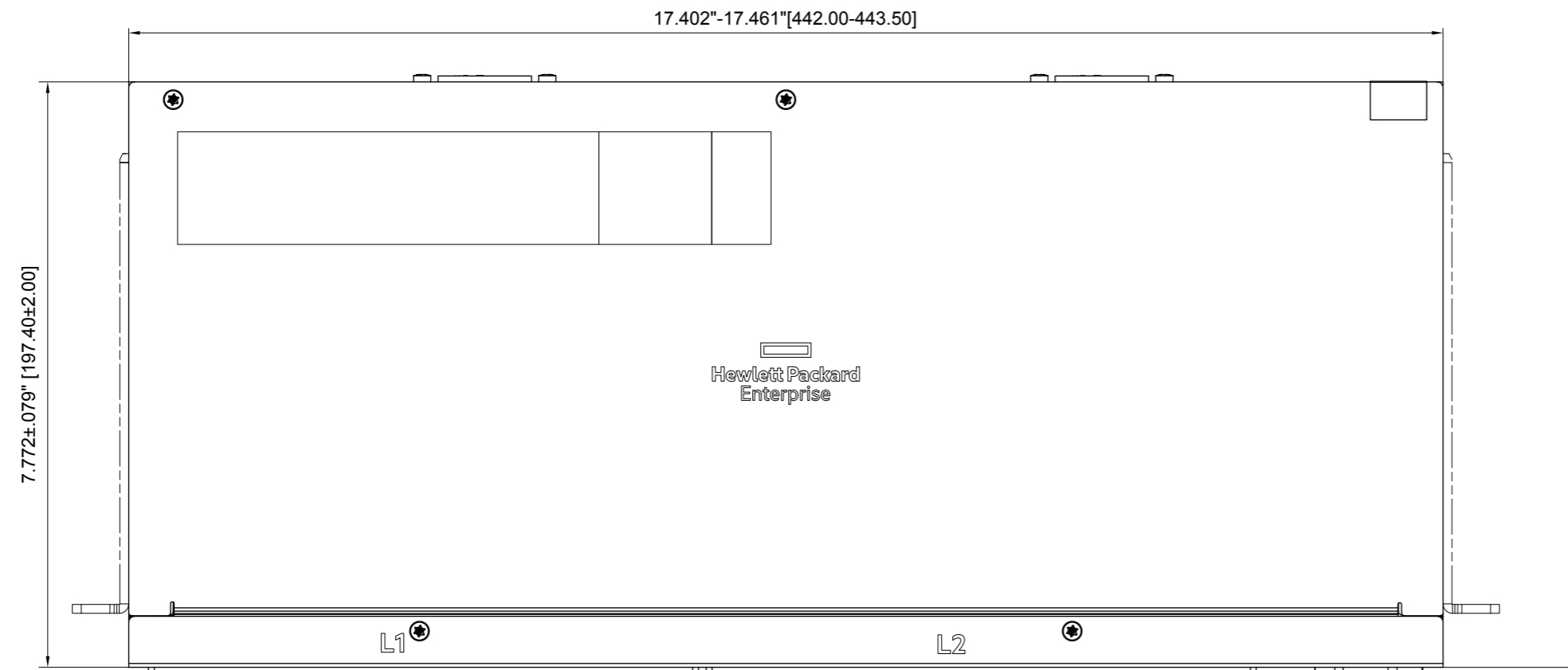
CE, D mark, EAC

Unit Weight

Weight (9.3lbs[4.2kg])

PDU Classification	Basic
Part Number	P9Q43A
Specification Number	866817-B

**Hewlett Packard
Enterprise**



Product Information

Input Ratings

Nominal Voltage	230VAC, 1-Ph, 50/60Hz
Input Plug	IEC 60309 32A 3-wire
Cord Type/Length	H07RNF3G4/(12')
Current Rating	32A
Power Rating (kVA)	7.36 kVA

Output Ratings

Nominal Voltage	230VAC, 50/60Hz
Current Rating	32A Max
Max Current/Breaker	16A Max

Outlet Configuration

Total Outlets	(12)C13
Outlets / Load Segment	(6)C13
Branch Circuit Protection	(2) 1-Pole 16A UL 489 Breaker

Features

Cord Retention 1	Locking power cord (optional)
Cord Retention 2	Integrated retention with tie wrap
Mounting Option	Between RETMA rail (0U), Horizontal (1U)
Mounting Hardware	Included

Environmental Conditions

Operating Temperature	50-140°F (10-60°C)
Operating Rel Humidity	10-90%
Operating Elevation	0-10000ft [0-3000m]

Regulatory Information

CE, D mark, EAC

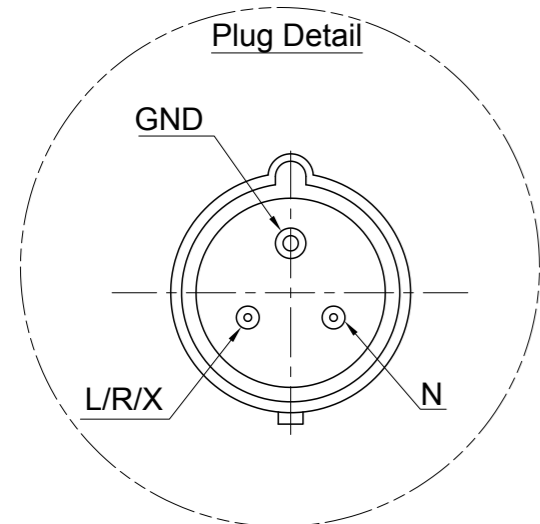
Unit Weight

Weight (9.2lbs[4.3kg])

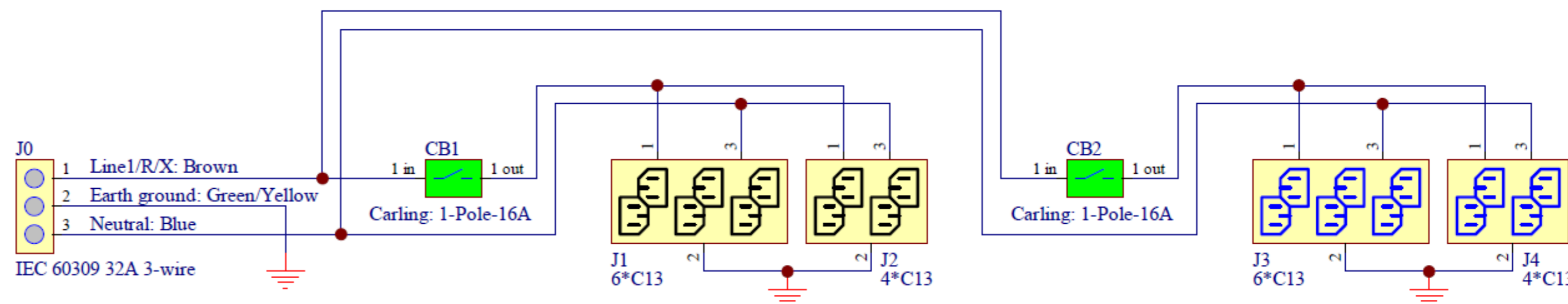
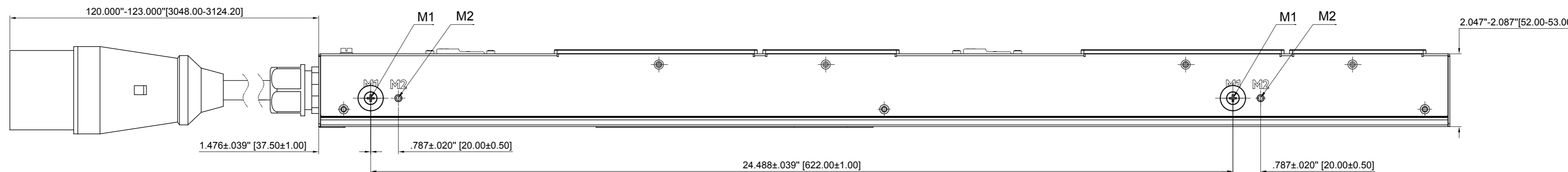
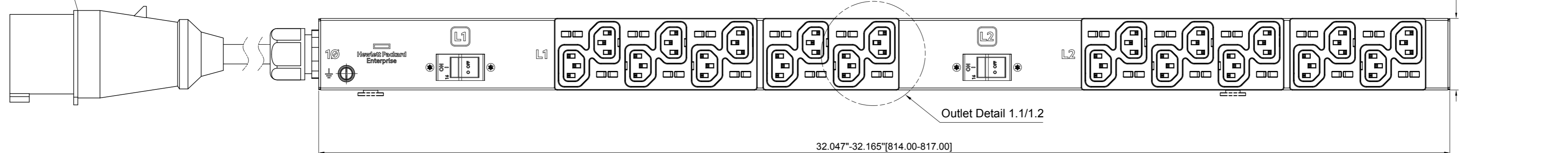
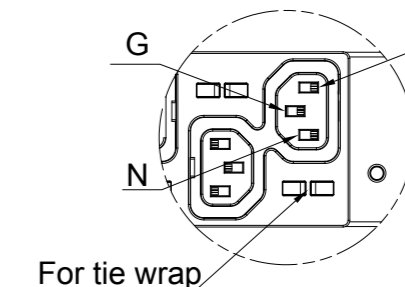
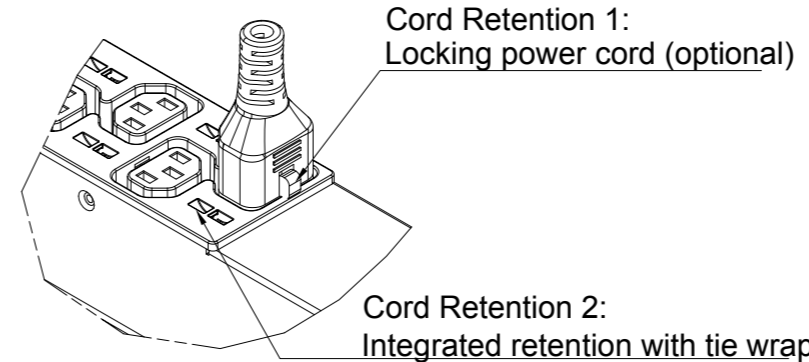
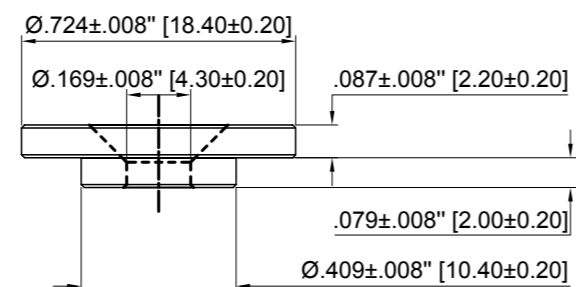
Wiring Scheme

PDU Classification	Basic
Part Number	P9Q44A
Specification Number	866817-B

**Hewlett Packard
Enterprise**



Mounting Button Detail
For mounting at locations M1 or M2 on either side or back of the PDU



Wiring Scheme

Product Information

Input Ratings

Nominal Voltage	230VAC, 1-Ph, 50/60Hz
Input Plug	IEC 60309 32A 3-wire
Cord Type/Length	H07RNF3G4/(10')
Current Rating	32A
Power Rating (kVA)	7.36 kVA

Output Ratings

Nominal Voltage	230VAC, 50/60Hz
Current Rating	32A Max
Max Current/Breaker	16A Max

Outlet Configuration

Total Outlets	(20)C13
Outlets / Load Segment	(10)C13
Branch Circuit Protection	(2) 1-Pole 16A UL 489 Breaker

Features

Cord Retention 1	Locking power cord (optional)
Cord Retention 2	Integrated retention with tie wrap
Mounting Option	Vertical (0U)
Mounting Hardware	Included

Environmental Conditions

Operating Temperature	50-140°F (10-60°C)
Operating Rel Humidity	10-90%
Operating Elevation	0-10000ft [0-3000m]

Regulatory Information

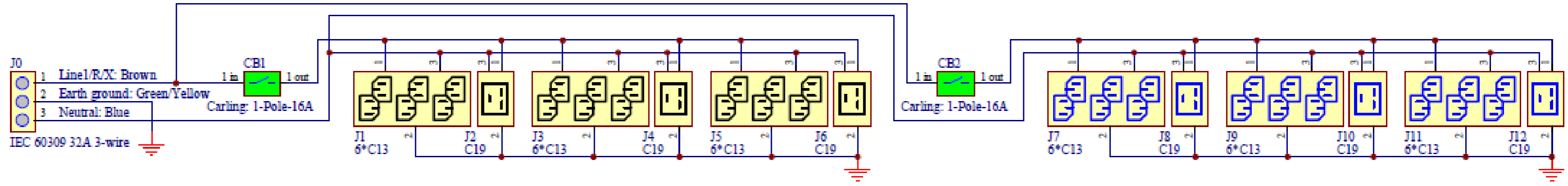
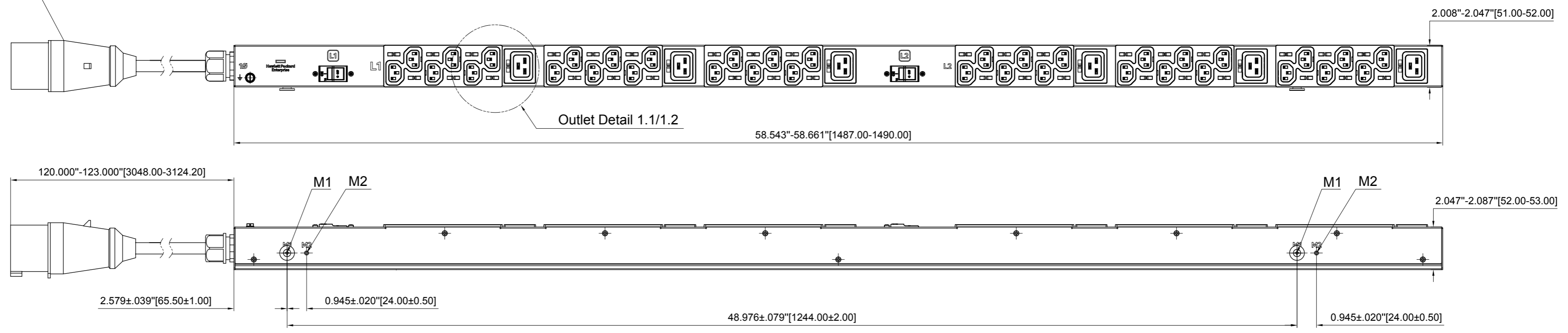
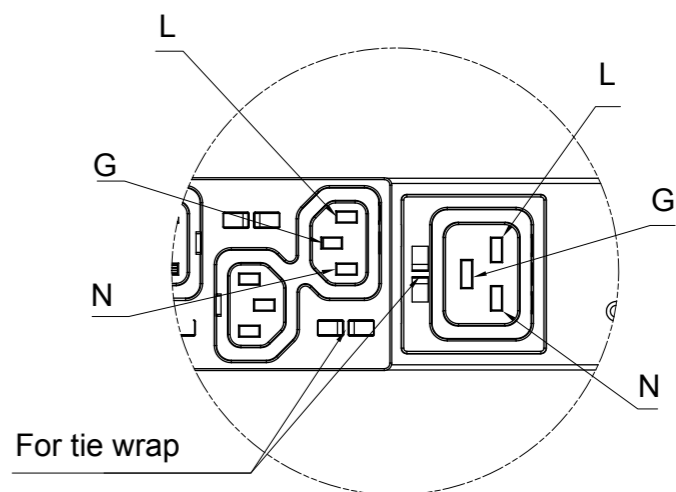
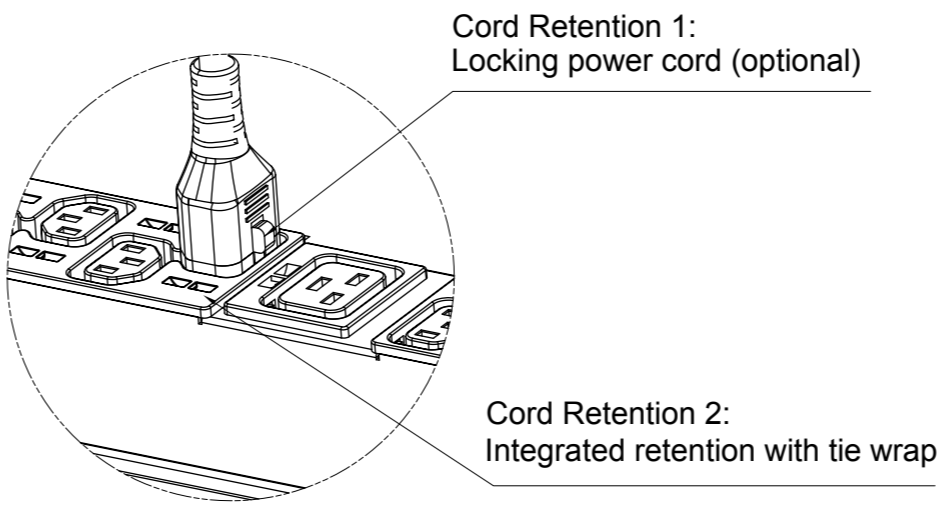
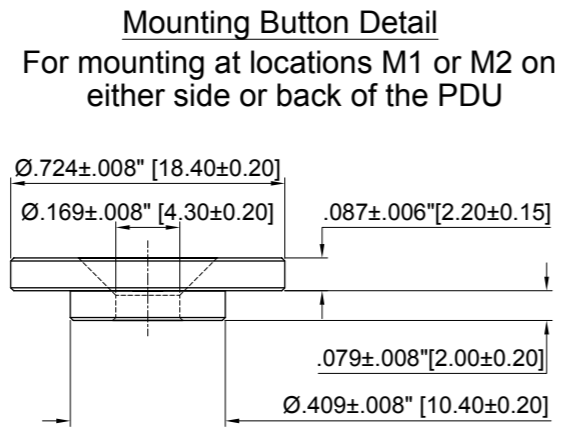
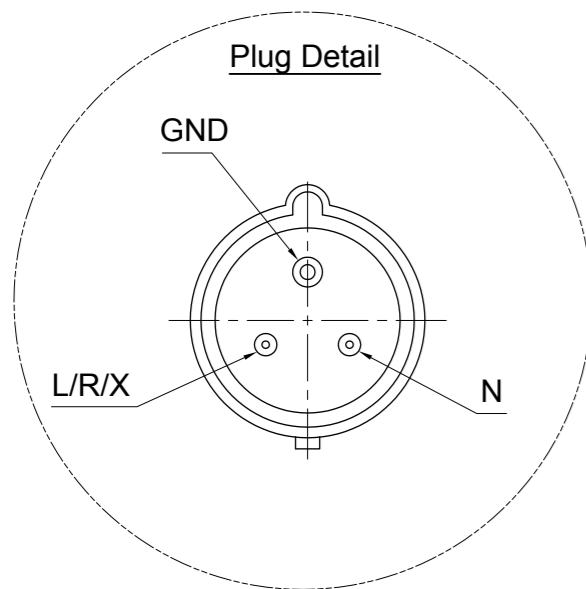
CE, D mark, EAC

Unit Weight

Weight (8.1lbs[3.7kg])

PDU Classification	Basic
Part Number	P9Q45A
Specification Number	866817-B

**Hewlett Packard
Enterprise**



Product Information

Input Ratings
 Nominal Voltage 230VAC, 1-Ph, 50/60Hz
 Input Plug IEC 60309 32A 3-wire
 Cord Type/Length H07RNF3G4(10')
 Current Rating 32A
 Power Rating (kVA) 7.36 kVA

Output Ratings
 Nominal Voltage 230VAC, 50/60Hz
 Current Rating 32A Max
 Max Current/Breaker 16A Max

Outlet Configuration
 Total Outlets (36)C13, (6)C19
 Outlets / Load Segment (18)C13, (3)C19
 Branch Circuit Protection (2) 1-Pole 16A UL 489 Breaker

Features
 Cord Retention 1 Locking power cord (optional)
 Cord Retention 2 Integrated retention with tie wrap
 Mounting Option Vertical (0U)
 Mounting Hardware Included

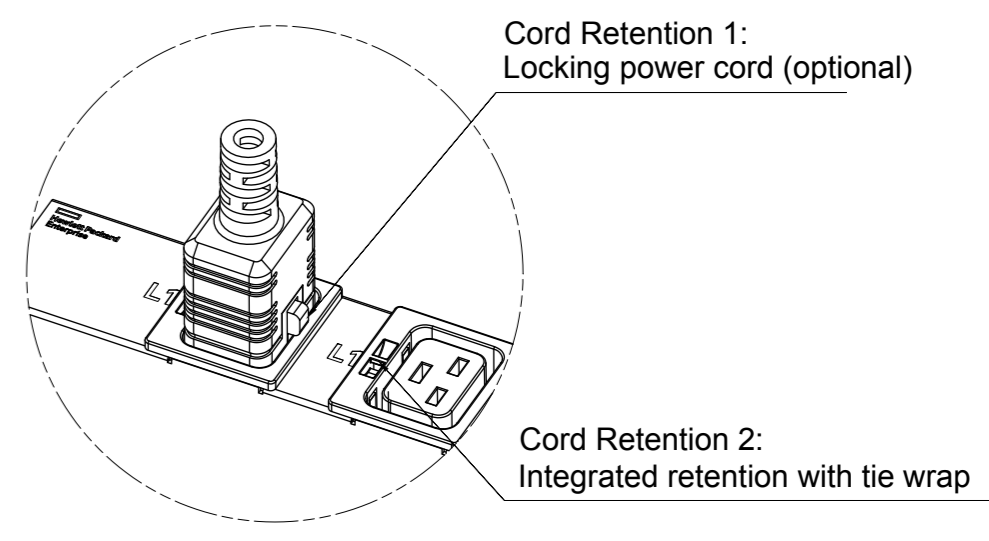
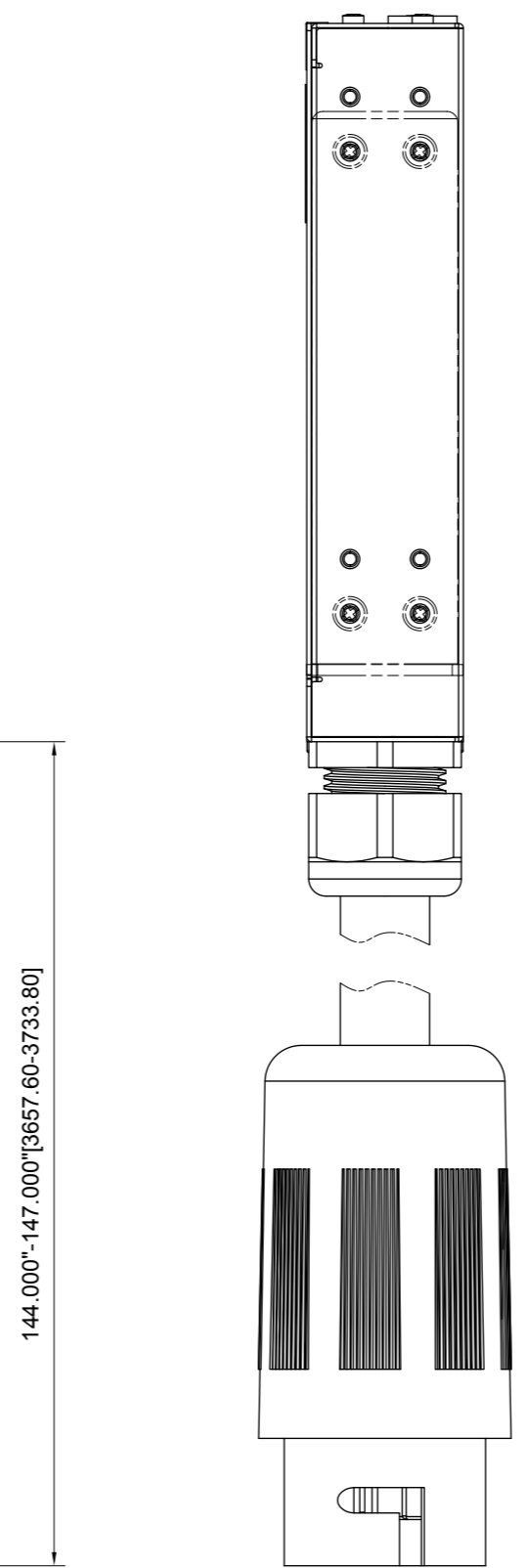
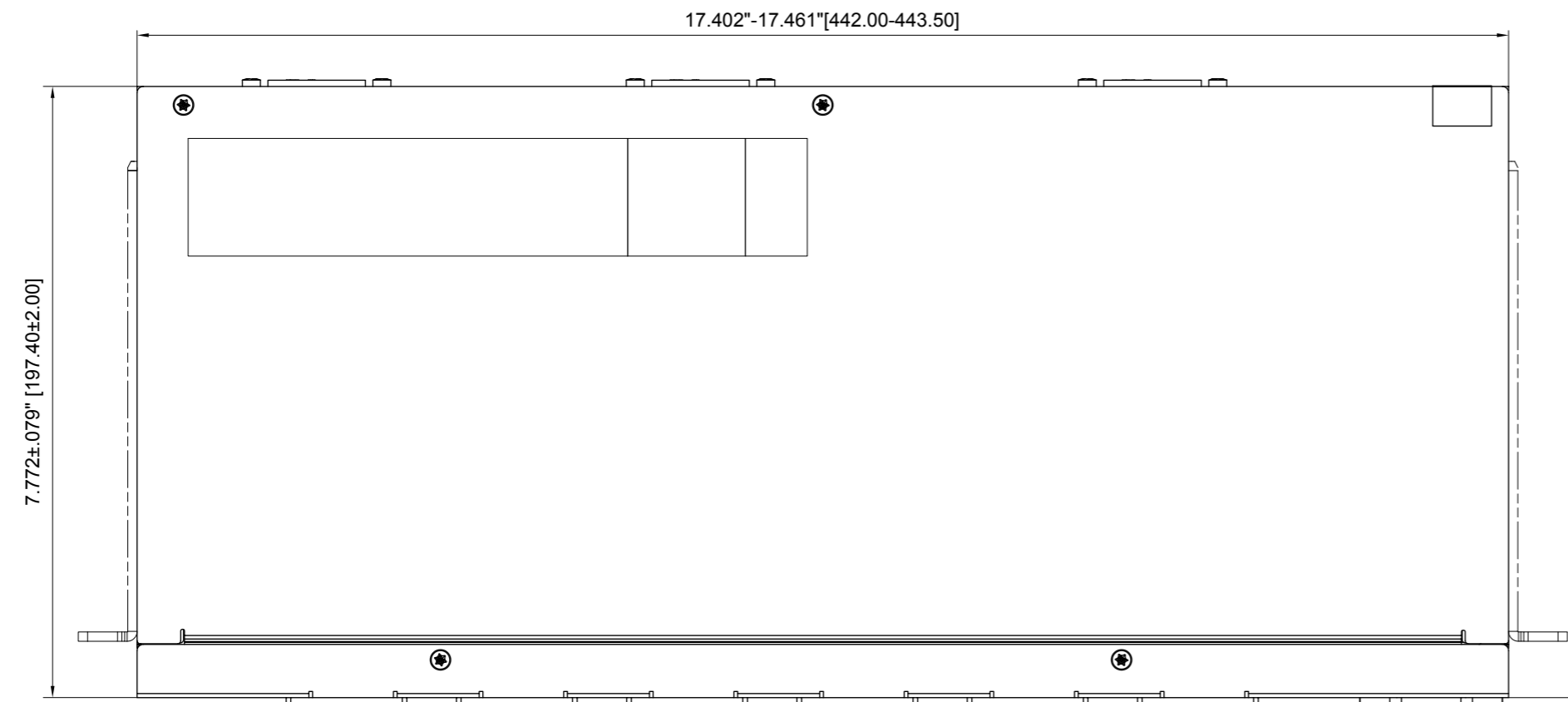
Environmental Conditions
 Operating Temperature 50-140°F (10-60°C)
 Operating Rel Humidity 10-90%
 Operating Elevation 0-10000ft [0-3000m]

Regulatory Information
 CE, D mark, EAC

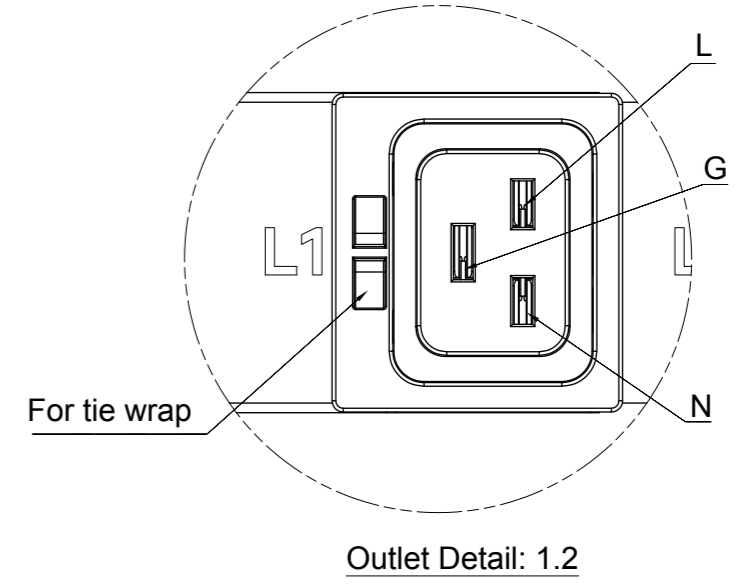
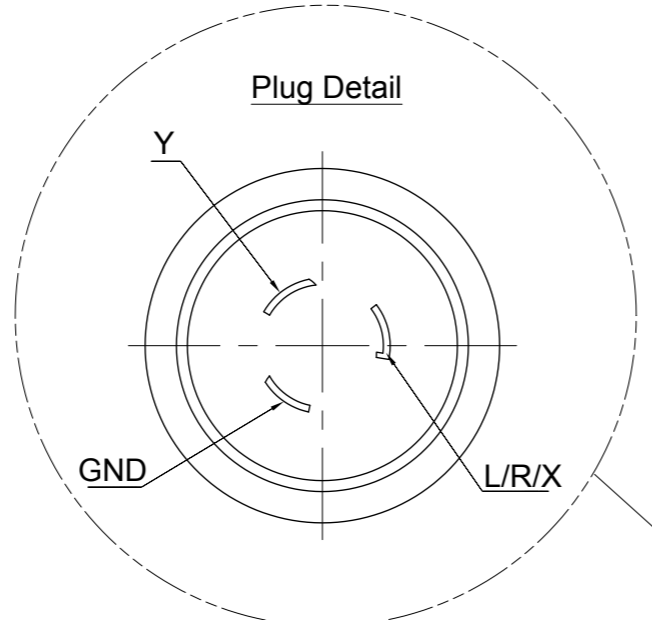
Unit Weight
 Weight (12.0lbs[5.4kg])

PDU Classification	Basic
Part Number	P9Q46A
Specification Number	866817-B

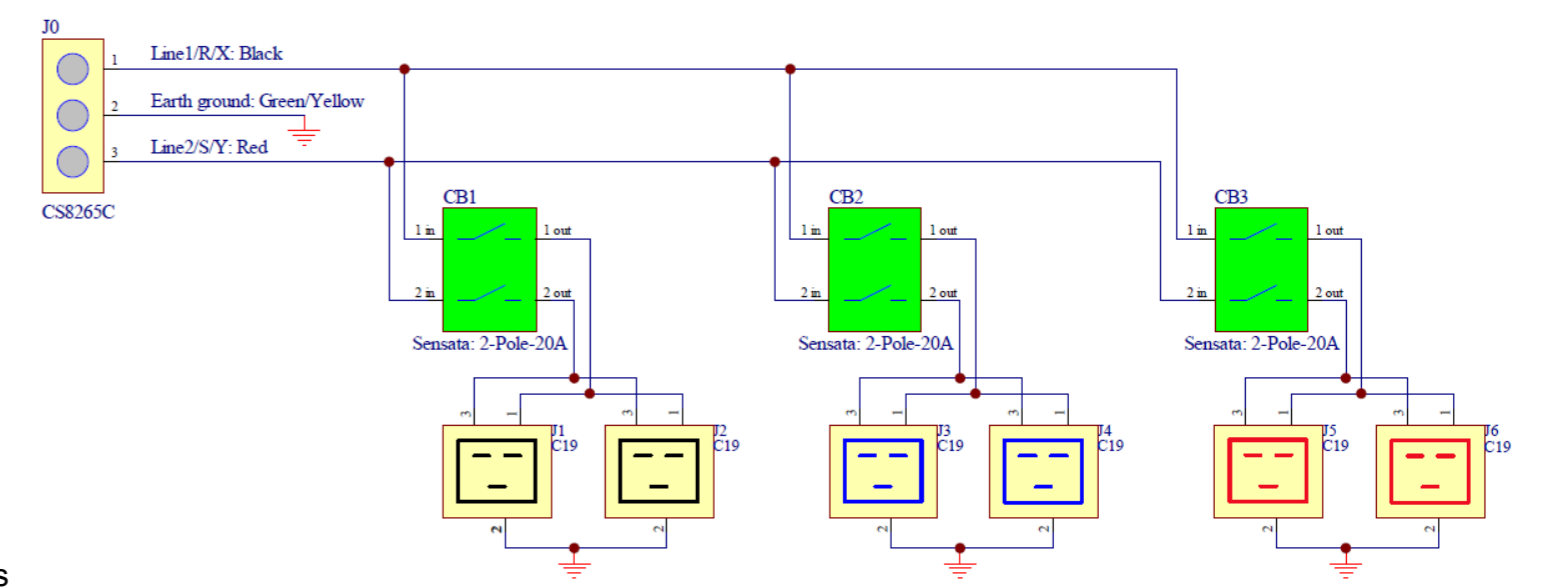
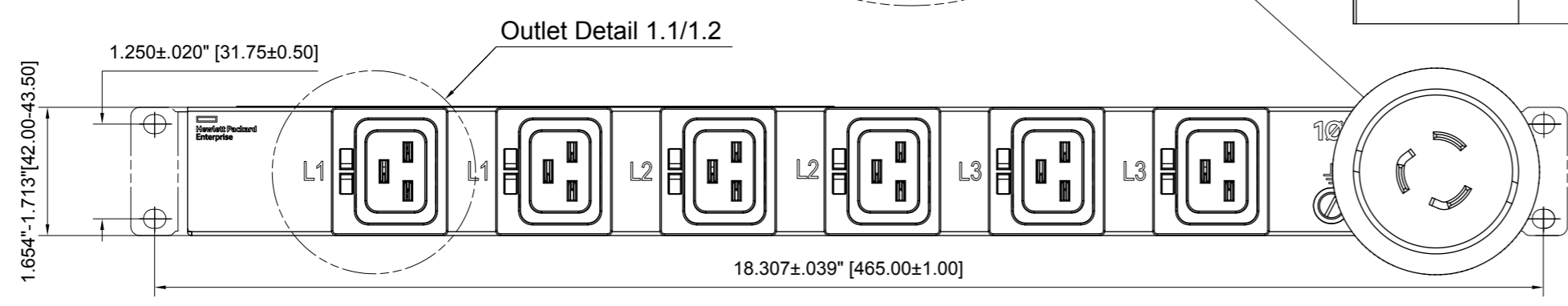




Outlet Detail: 1.1



Outlet Detail: 1.2



Wiring Scheme

Product Information

Input Ratings

Nominal Voltage	208VAC, 1-Ph, 50/60Hz
Input Plug	CS8265C
Cord Type/Length	Type SOOW; 90°C;600V;8AWG;3C/(12')
Current Rating	40A (Derated)
Power Rating (kVA)	8.32 kVA

Output Ratings

Nominal Voltage	208VAC, 50/60Hz
Current Rating	40A Max
Max Current/Breaker	16A Max

Outlet Configuration

Total Outlets	(6)C19
Outlets / Load Segment	(2)C19
Branch Circuit Protection	(3) 2-Pole 20A UL 489 Breaker

Features

Cord Retention 1	Locking power cord (optional)
Cord Retention 2	Integrated retention with tie wrap
Mounting Option	Between RETMA rail (0U), Horizontal (1U)
Mounting Hardware	Included

Environmental Conditions

Operating Temperature	50-140°F (10-60°C)
Operating Rel Humidity	10-90%
Operating Elevation	0-10000ft [0-3000m]

Regulatory Information

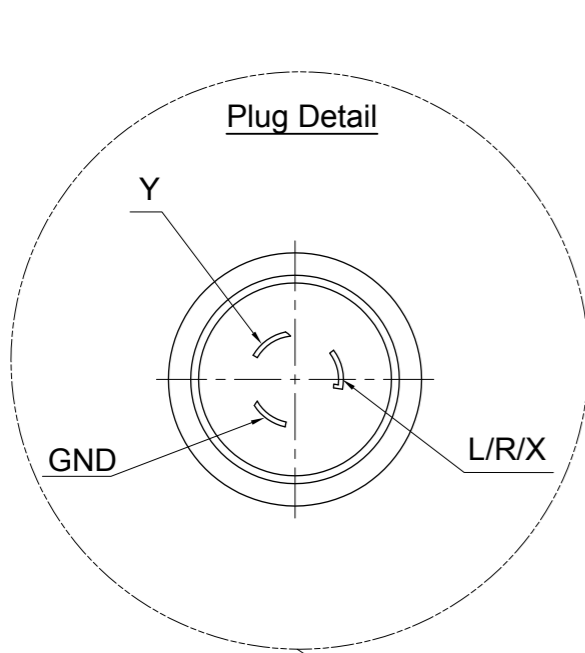
UL or CSA, CB Test

Unit Weight

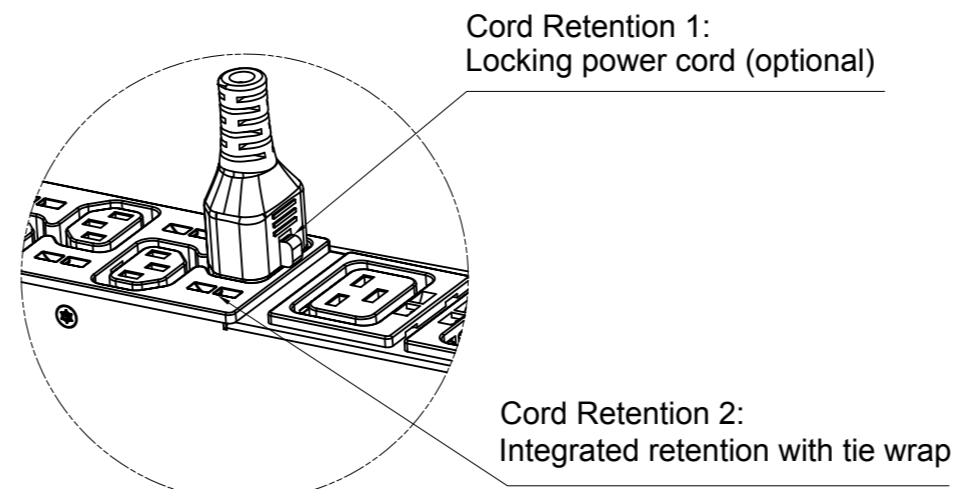
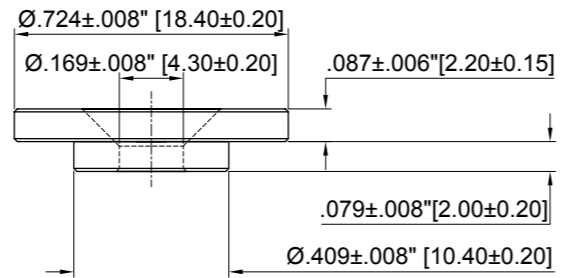
Weight (12.1lbs[5.5kg])

PDU Classification	Basic
Part Number	P9Q47A
Specification Number	866817-B

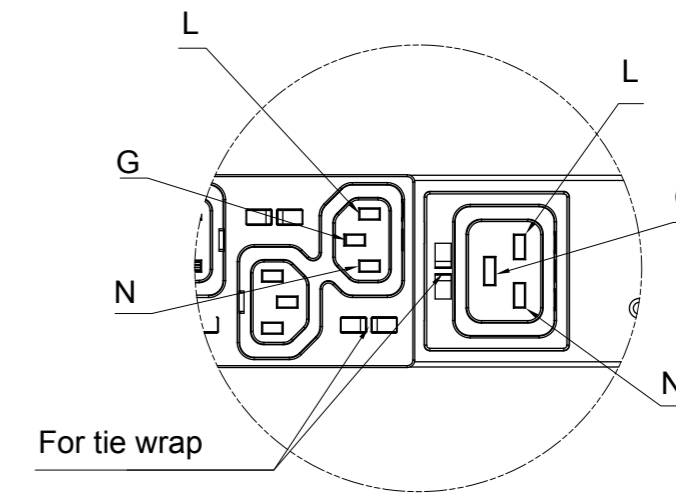




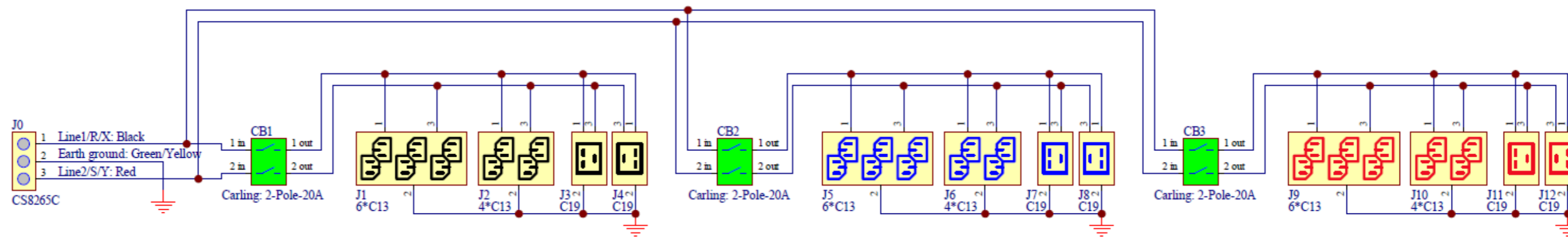
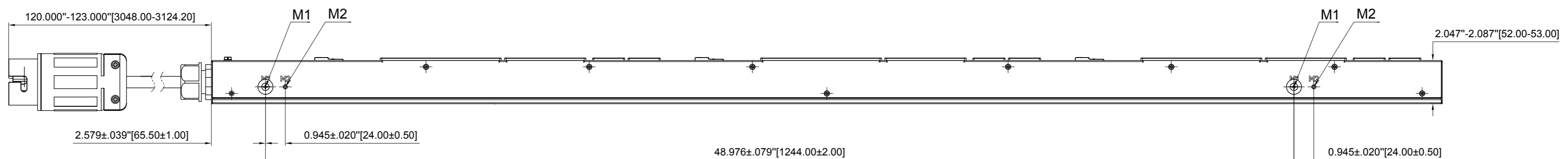
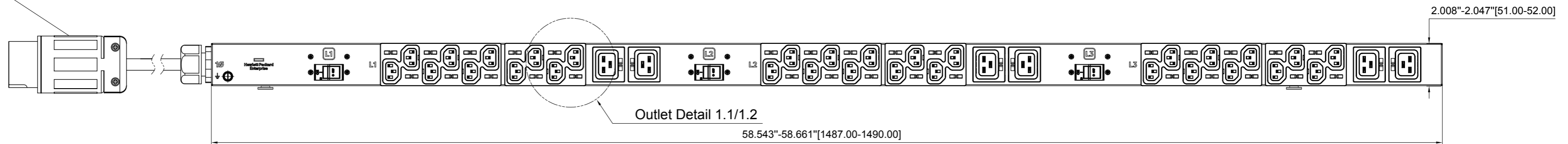
Mounting Button Detail
For mounting at locations M1 or M2 on either side or back of the PDU



Outlet Detail: 1.1



Outlet Detail: 1.2



Wiring Scheme

Product Information

Input Ratings

Nominal Voltage	208VAC, 1-Ph, 50/60Hz
Input Plug	CS8265C
Cord Type/Length	Type SOOW; 90°C; 600V; 8AWG; 3C/(10')
Current Rating	40A (Derated)
Power Rating (kVA)	8.32 kVA

Output Ratings

Nominal Voltage	208VAC, 50/60Hz
Current Rating	40A Max
Max Current/Breaker	20A Max

Outlet Configuration

Total Outlets	(30)C13, (6)C19
Outlets / Load Segment	(10)C13, (2)C19
Branch Circuit Protection	(3) 2-Pole 20A UL 489 Breaker

Features

Cord Retention 1	Locking power cord (optional)
Cord Retention 2	Integrated retention with tie wrap
Mounting Option	Vertical (0U)
Mounting Hardware	Included

Environmental Conditions

Operating Temperature	50-140°F (10-60°C)
Operating Rel Humidity	10-90%
Operating Elevation	0-10000ft [0-3000m]

Regulatory Information

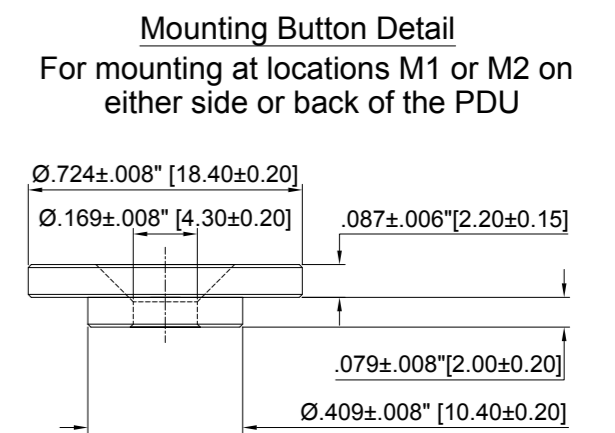
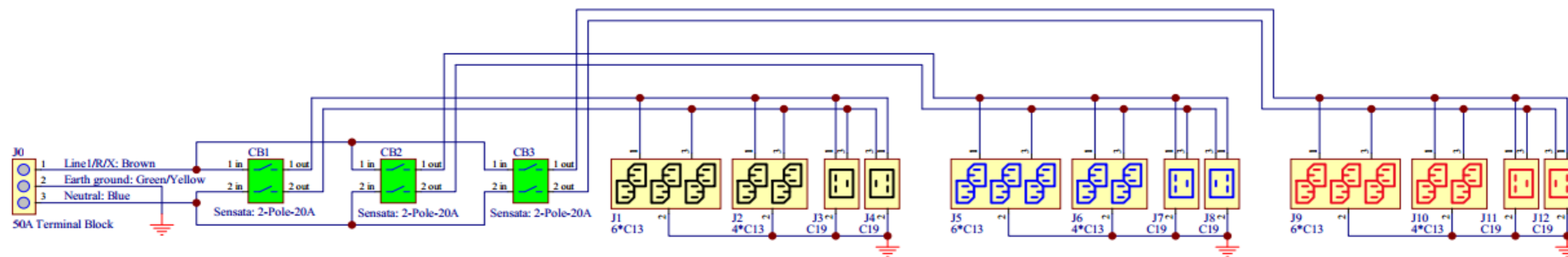
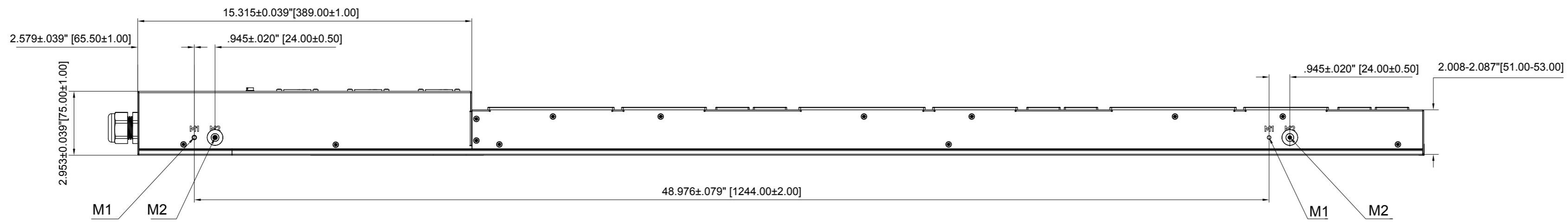
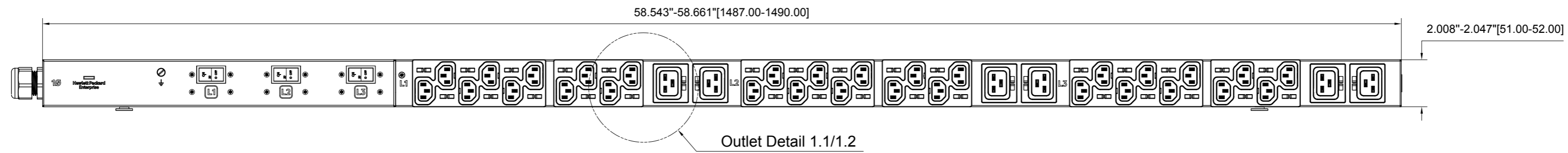
UL or CSA, CB Test

Unit Weight

Weight (13.2lbs[6.0kg])

PDU Classification	Basic
Part Number	P9Q48A
Specification Number	866817-B

Hewlett Packard
Enterprise



Product Information

Input Ratings

Nominal Voltage	230VAC, 1-Ph, 50/60Hz
Input Plug	Terminal Block
Current Rating	40A (Derated)
Power Rating (kVA)	9.2 kVA

Output Ratings

Nominal Voltage	230VAC, 50/60Hz
Current Rating	40A Max
Max Current/Breaker	20A Max

Outlet Configuration

Total Outlets	(30)C13, (6)C19
Outlets / Load Segment	(10)C13, (2)C19
Branch Circuit Protection	(3) 2-Pole 20A UL 489 Breaker

Features

Cord Retention 1	Locking power cord (optional)
Cord Retention 2	Integrated retention with tie wrap
Mounting Option	Vertical (0U)
Mounting Hardware	Included

Environmental Conditions

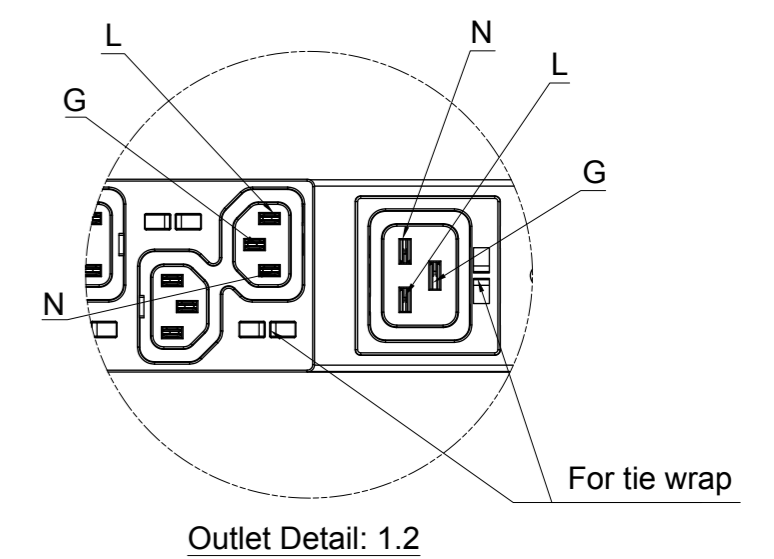
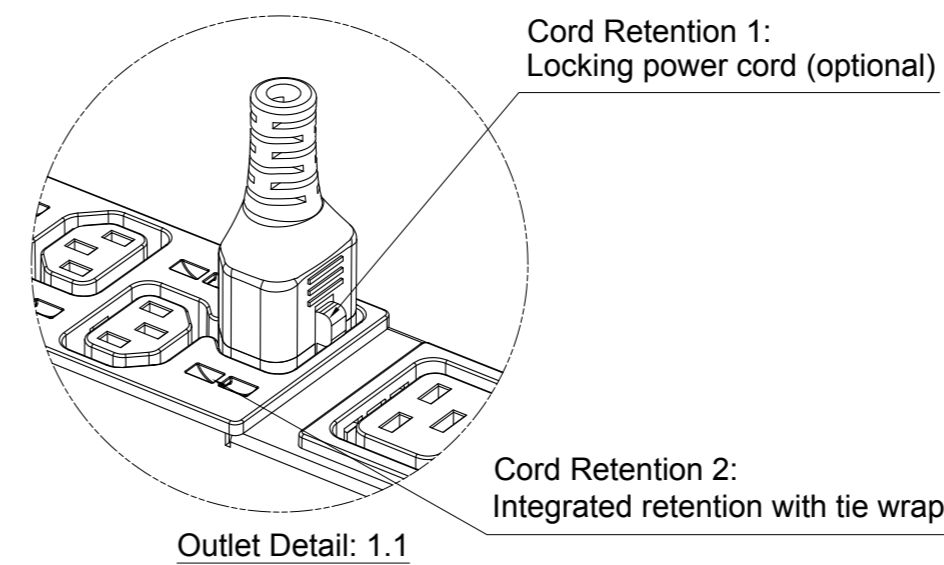
Operating Temperature	50-140°F (10-60°C)
Operating Rel Humidity	10-90%
Operating Elevation	0-10000ft [0-3000m]

Regulatory Information

UL or CSA, CB Test, CE, D mark, EAC

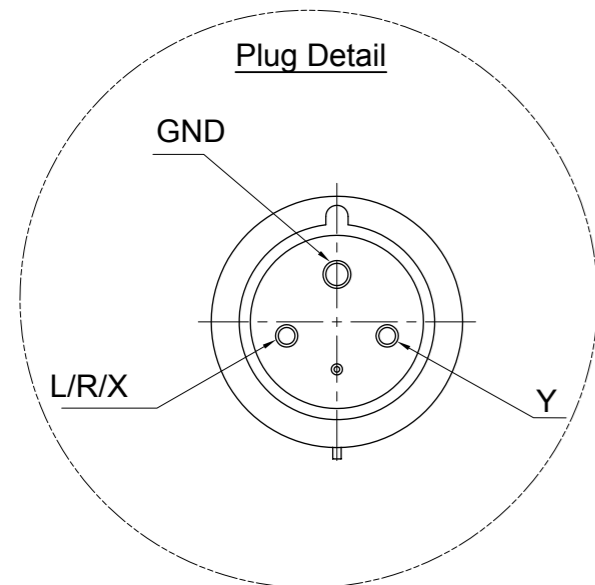
Unit Weight

Weight (8.6lbs[3.9kg])

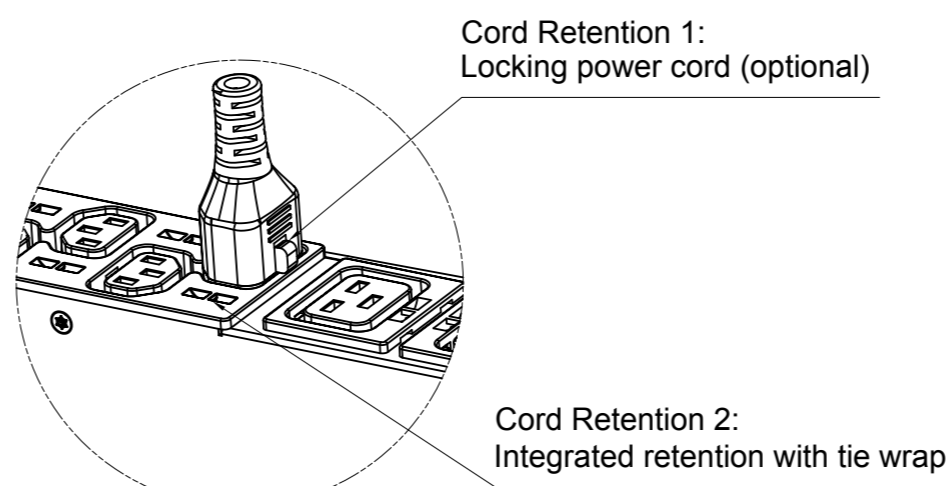
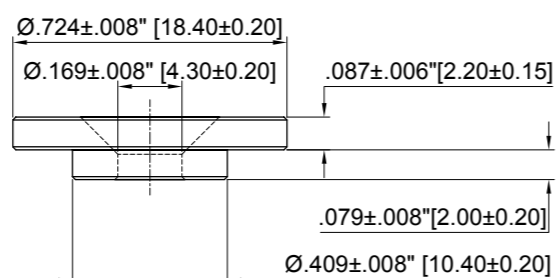


PDU Classification	Basic
Part Number	P9Q49A
Specification Number	866817-B

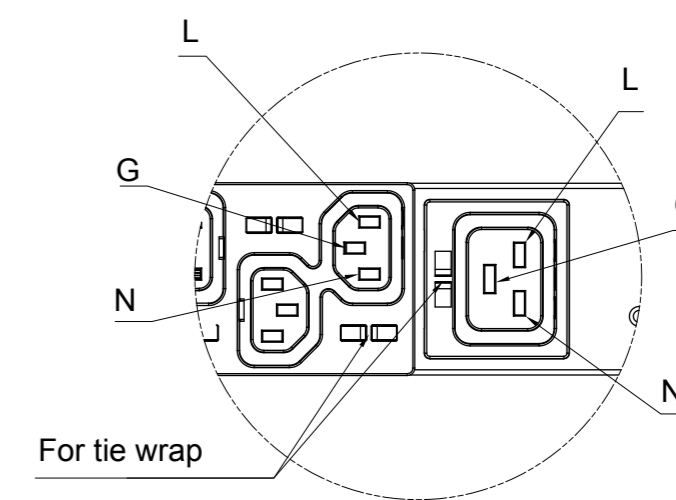
Hewlett Packard
Enterprise



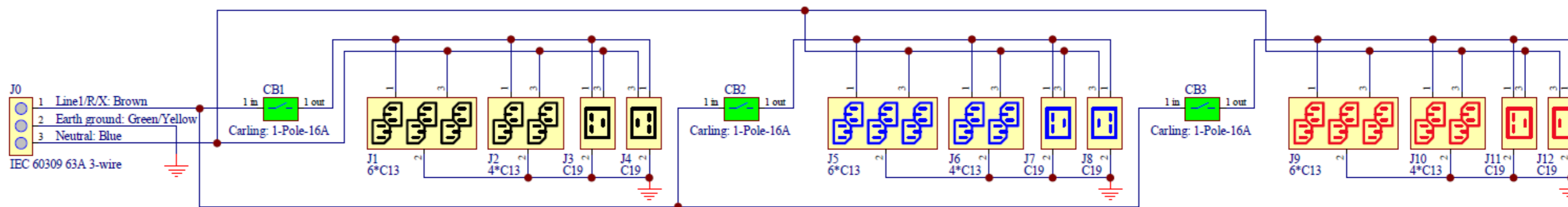
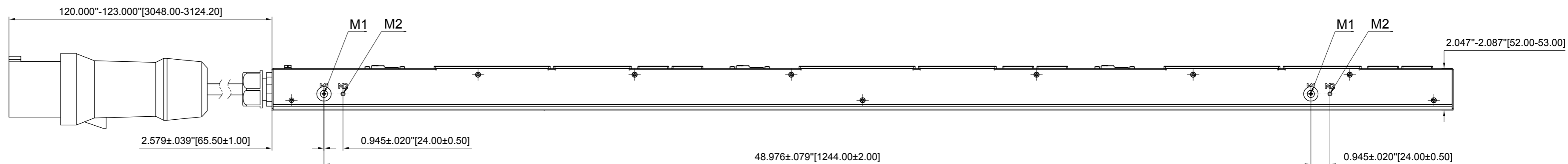
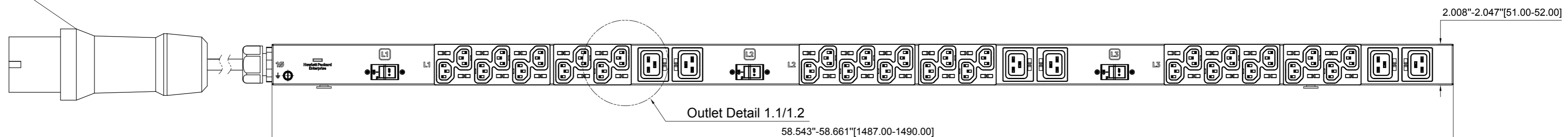
Mounting Button Detail
For mounting at locations M1 or M2 on either side or back of the PDU



Outlet Detail: 1.1



Outlet Detail: 1.2



Wiring Scheme

Product Information

Input Ratings

Nominal Voltage	230VAC, 1-Ph, 50/60Hz
Input Plug	IEC 60309 63A 3-Wire
Cord Type/Length	H07RNF3G10/(10')
Current Rating	48A
Power Rating (kVA)	11.04 kVA

Output Ratings

Nominal Voltage	230VAC, 50/60Hz
Current Rating	48A Max
Max Current/Breaker	16A Max

Outlet Configuration

Total Outlets	(30)C13, (6)C19
Outlets / Load Segment	(10)C13, (2)C19
Branch Circuit Protection	(3) 1-Pole 16A UL 489 Breaker

Features

Cord Retention 1	Locking power cord (optional)
Cord Retention 2	Integrated retention with tie wrap
Mounting Option	Vertical (0U)
Mounting Hardware	Included

Environmental Conditions

Operating Temperature	50-140°F (10-60°C)
Operating Rel Humidity	10-90%
Operating Elevation	0-10000ft [0-3000m]

Regulatory Information

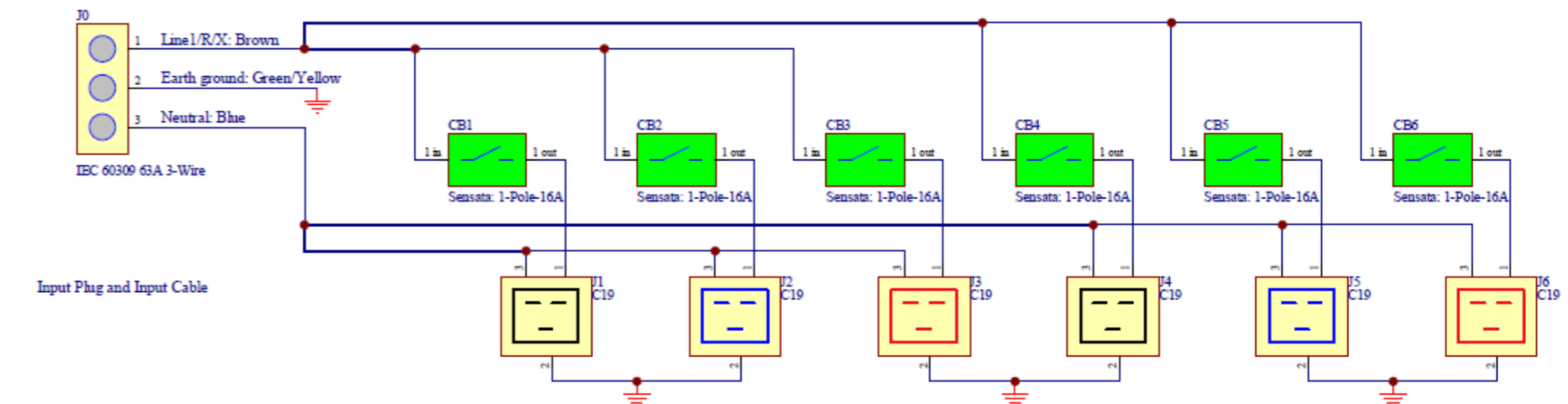
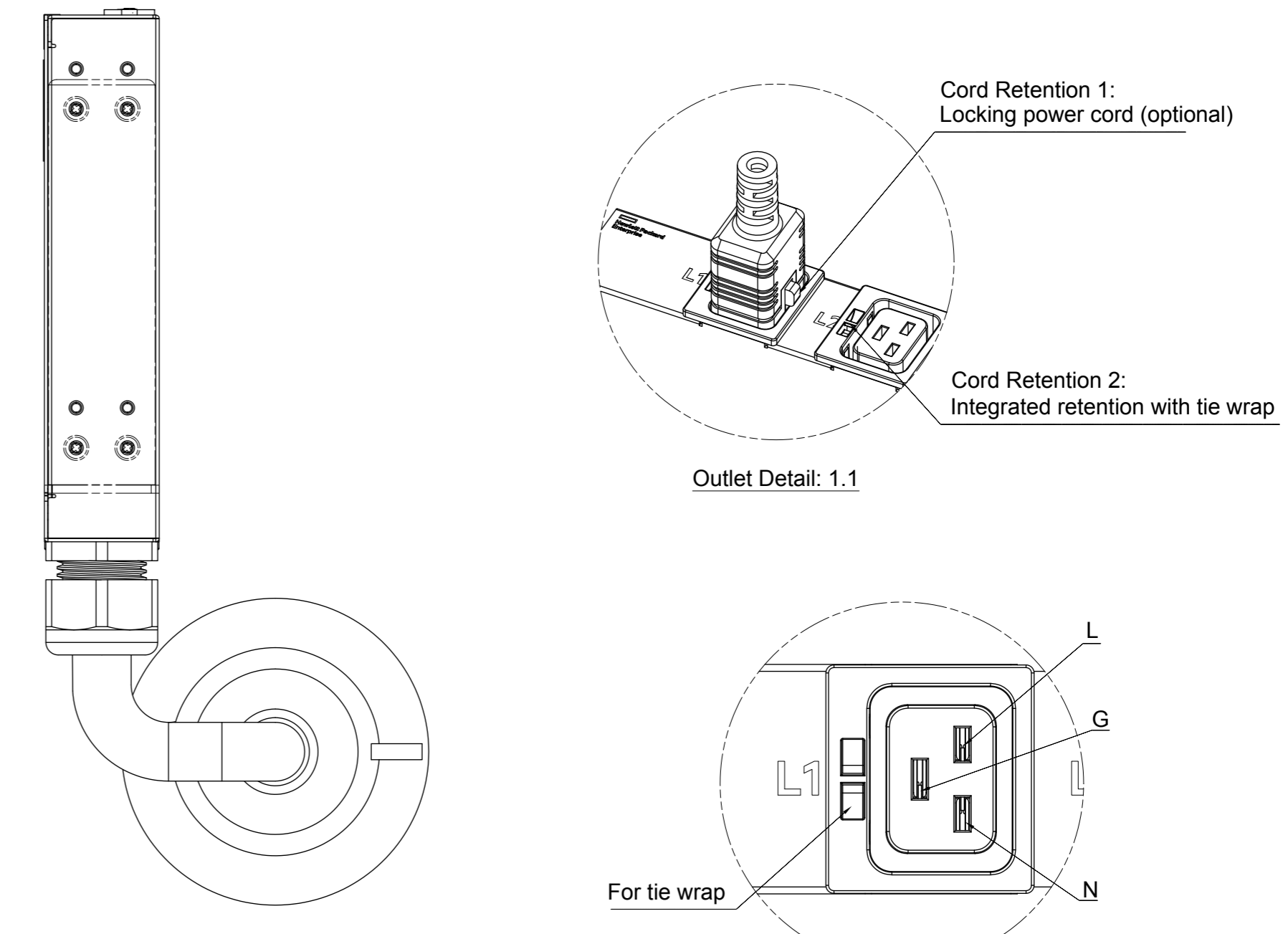
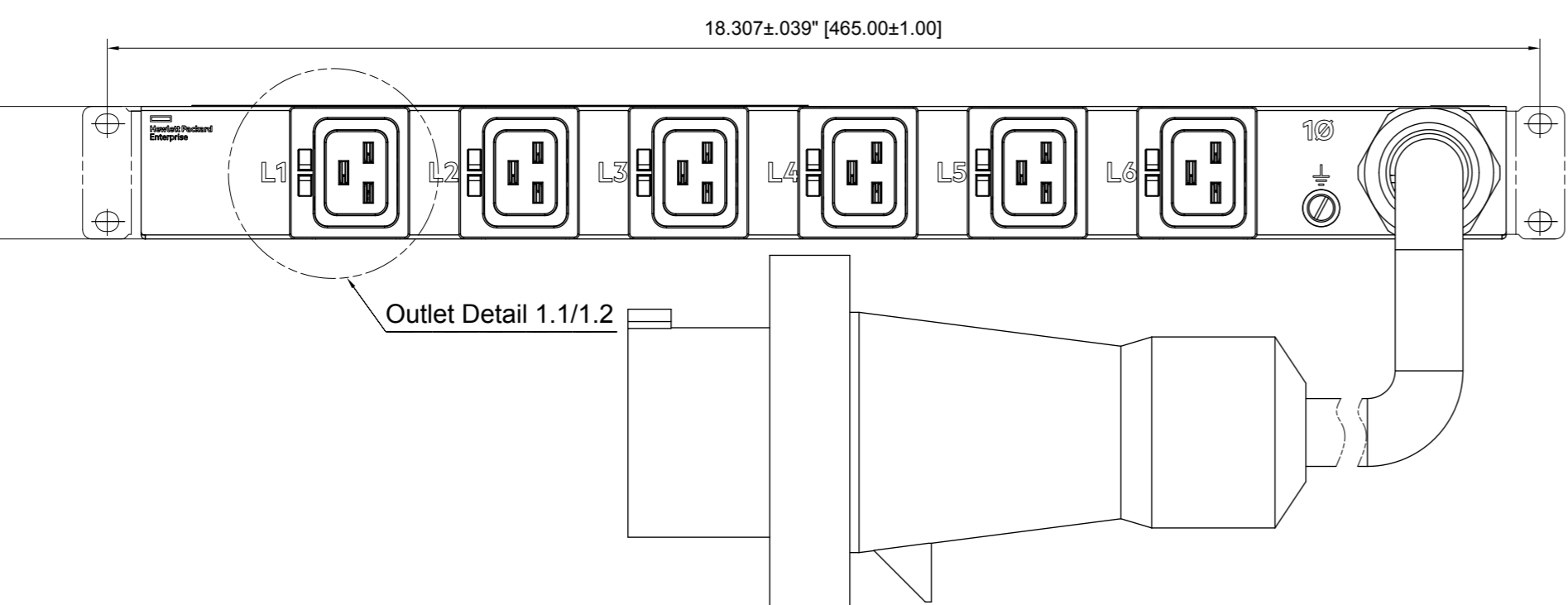
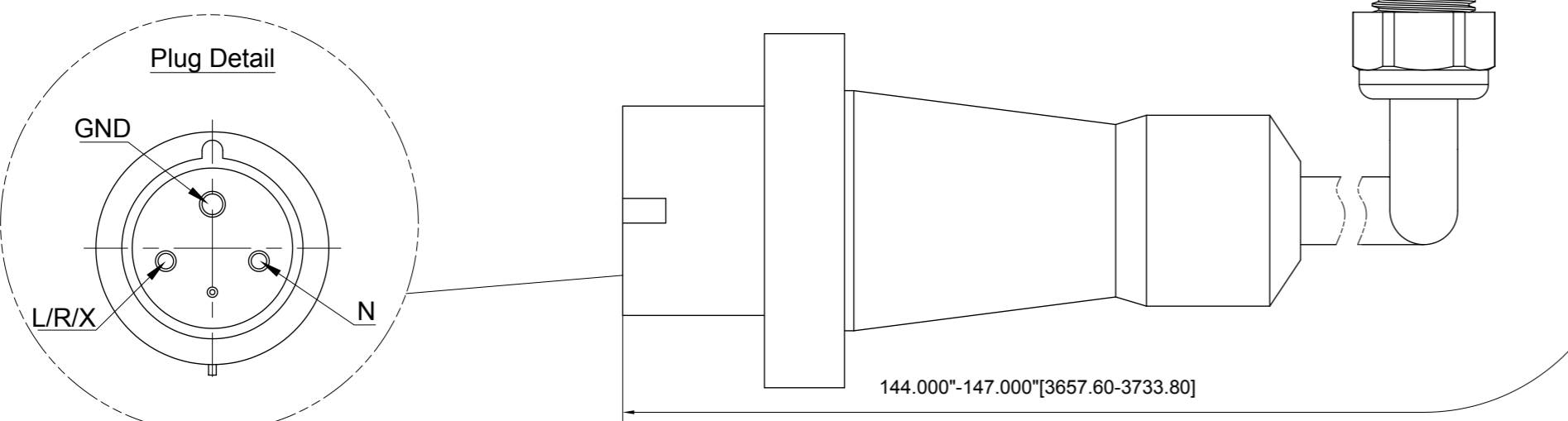
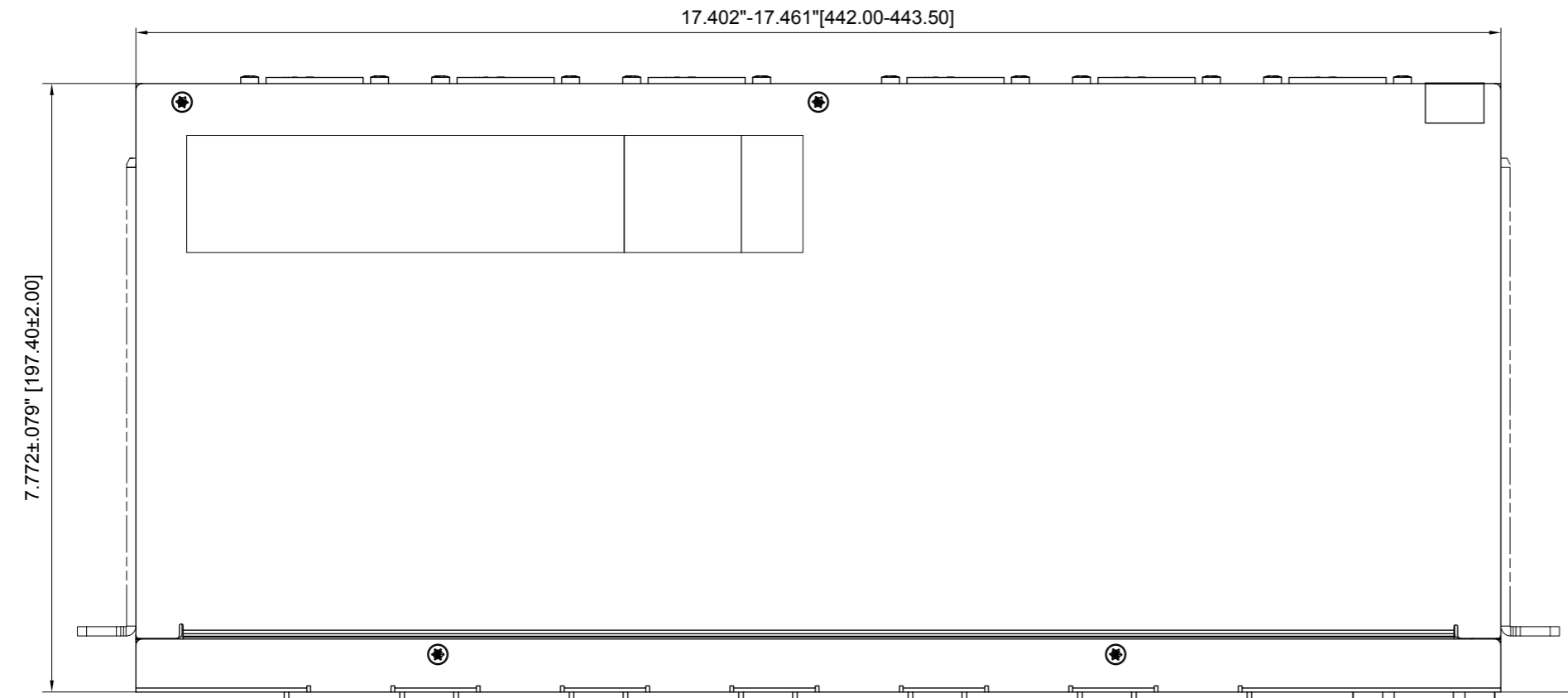
CE, D mark, EAC

Unit Weight

Weight (14.7lbs[6.7kg])

PDU Classification	Basic
Part Number	P9Q50A
Specification Number	866817-B

Hewlett Packard
Enterprise



Product Information

Input Ratings
 Nominal Voltage 230VAC, 1-Ph, 50/60Hz
 Input Plug IEC 60309 63A 3-wire
 Cord Type/Length H07RNF3G10/(12')
 Current Rating 63A
 Power Rating (kVA) 14.49 kVA

Output Ratings
 Nominal Voltage 230VAC, 50/60Hz
 Current Rating 63A Max
 Max Current/Breaker 16A Max

Outlet Configuration
 Total Outlets (6)C19
 Outlets / Load Segment (1)C19
 Branch Circuit Protection (6) 1-Pole 16A UL 489 Breaker

Features
 Cord Retention 1 Locking power cord (optional)
 Cord Retention 2 Integrated retention with tie wrap
 Mounting Option Between RETMA rail (0U), Horizontal (1U)
 Mounting Hardware Included

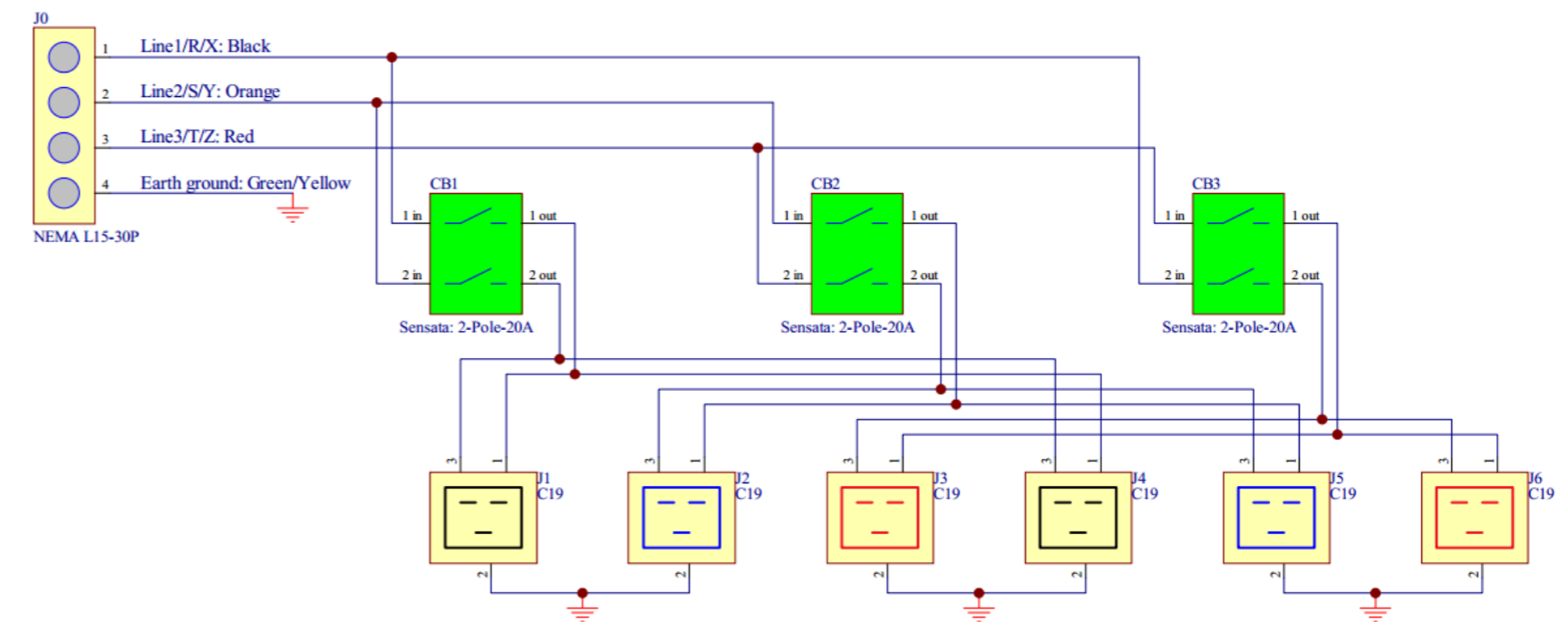
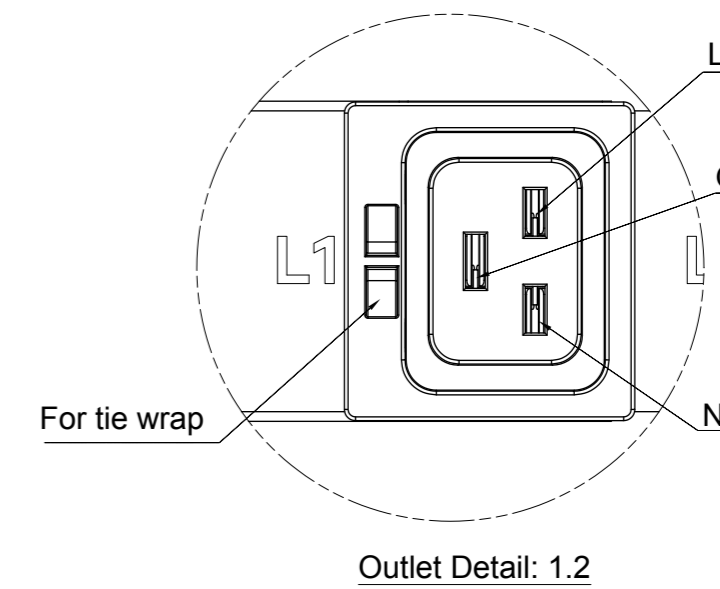
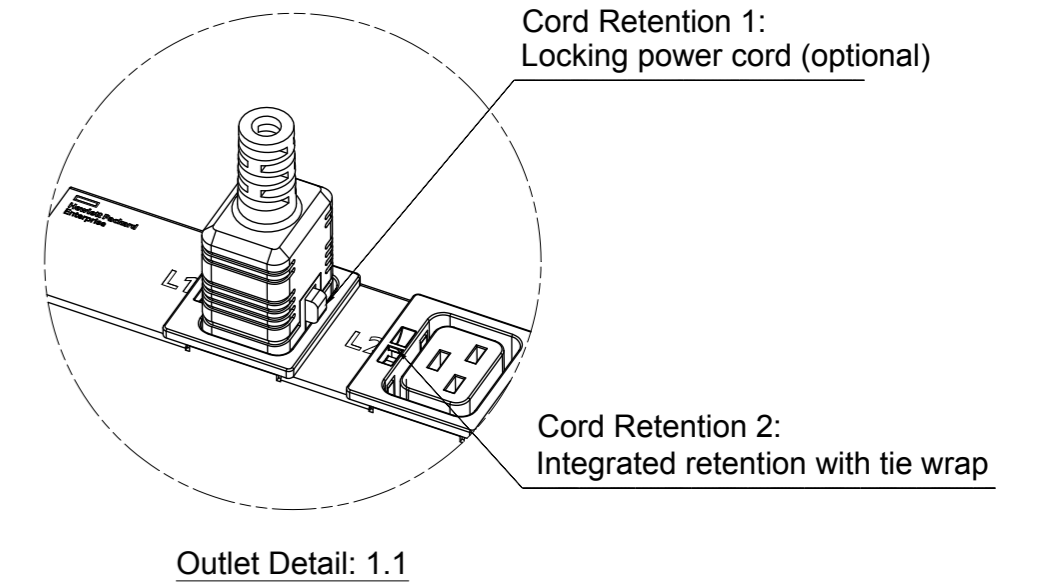
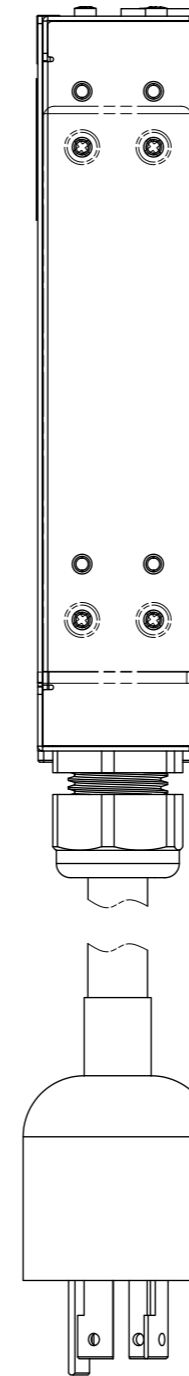
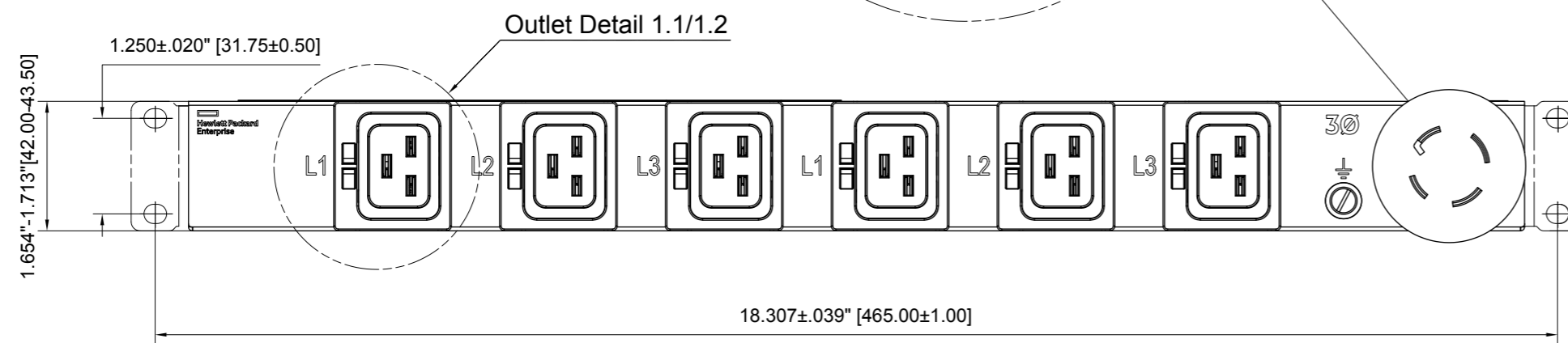
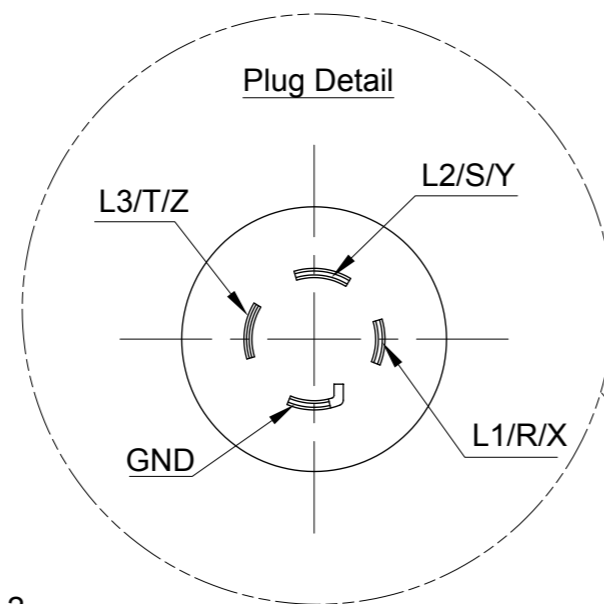
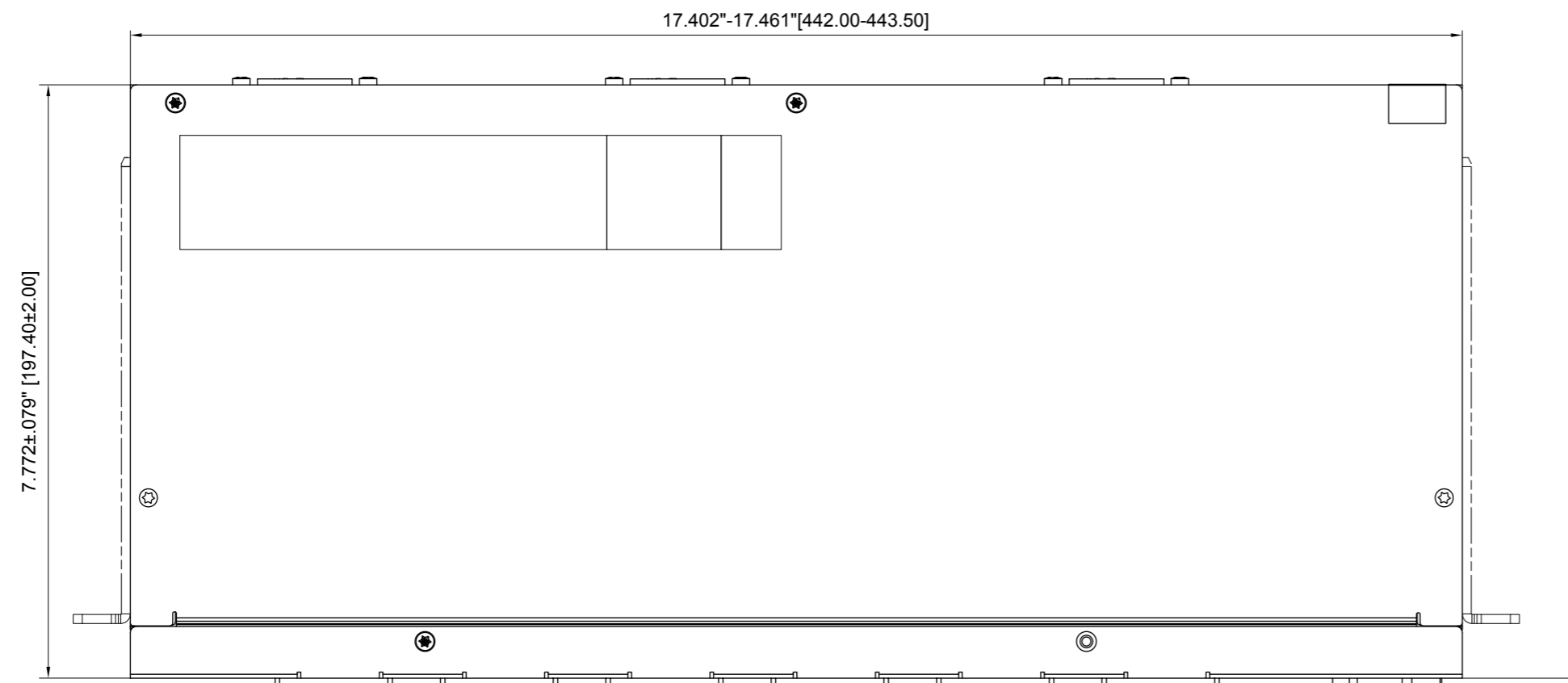
Environmental Conditions
 Operating Temperature 50-140°F (10-60°C)
 Operating Rel Humidity 10-90%
 Operating Elevation 0-10000ft [0-3000m]

Regulatory Information
 CE, D mark, EAC

Unit Weight
 Weight (12.5lbs[5.7kg])

Wiring Scheme

PDU Classification	Basic
Part Number	P9Q51A
Specification Number	866817-B



Product Information

Input Ratings

Nominal Voltage	208VAC, 3-Ph, 50/60Hz
Input Plug	NEMA L15-30P (Over-molded),
Cord Type/Length	Type SJT; 90°C;300V;10AWG;4C/(12')
Current Rating	24A (Derated)
Power Rating (kVA)	8.646 kVA

Output Ratings

Nominal Voltage	208VAC, 50/60Hz
Current Rating	24A Max
Max Current/Breaker	16A Max

Outlet Configuration

Total Outlets	(6)C19
Outlets / Load Segment	(2)C19
Branch Circuit Protection	(3) 2-Pole 20A UL 489 Breaker

Features

Cord Retention 1	Locking power cord (optional)
Cord Retention 2	Integrated retention with tie wrap
Mounting Option	Between RETMA rail (0U), Horizontal (1U)
Mounting Hardware	Included

Environmental Conditions

Operating Temperature	50-140°F (10-60°C)
Operating Rel Humidity	10-90%
Operating Elevation	0-10000ft [0-3000m]

Regulatory Information

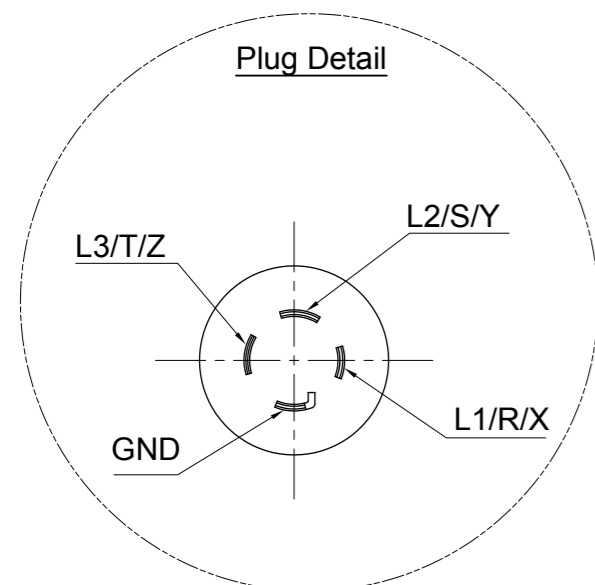
UL or CSA, CB Test

Unit Weight

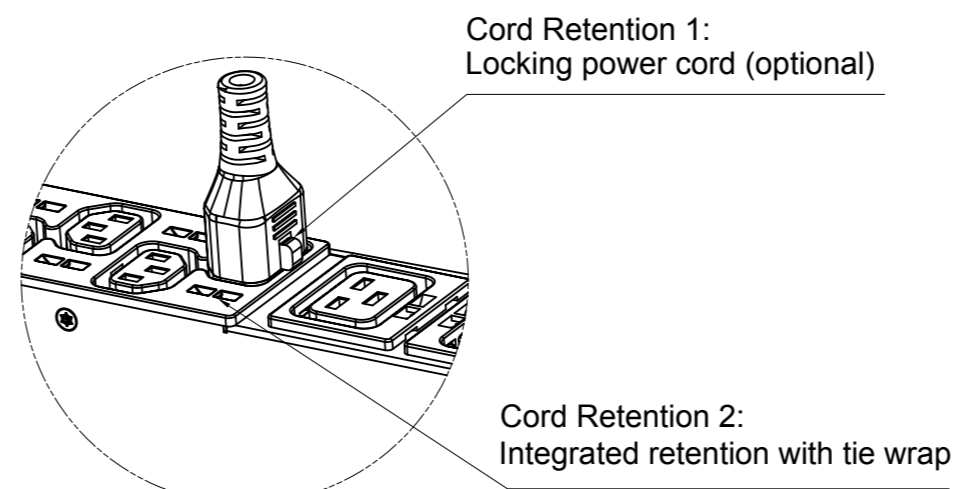
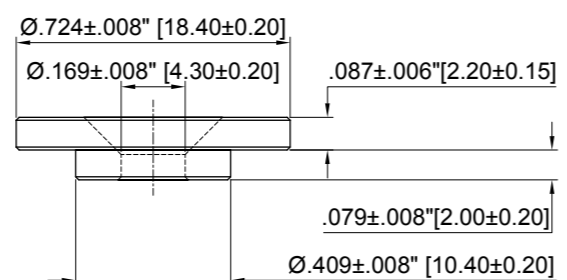
Weight (9.5lbs[4.3kg])

PDU Classification	Basic
Part Number	P9Q52A
Specification Number	866817-B

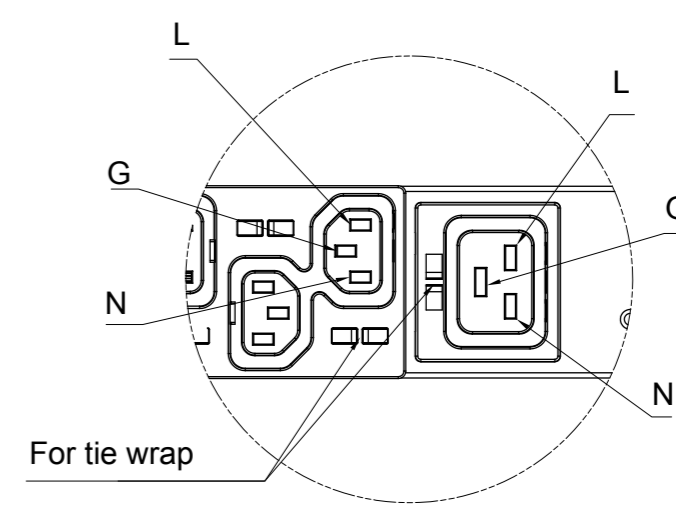
Hewlett Packard
Enterprise



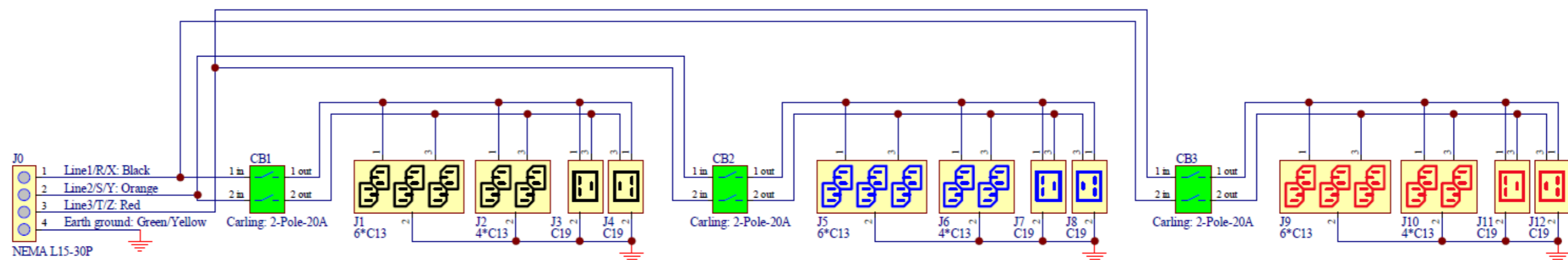
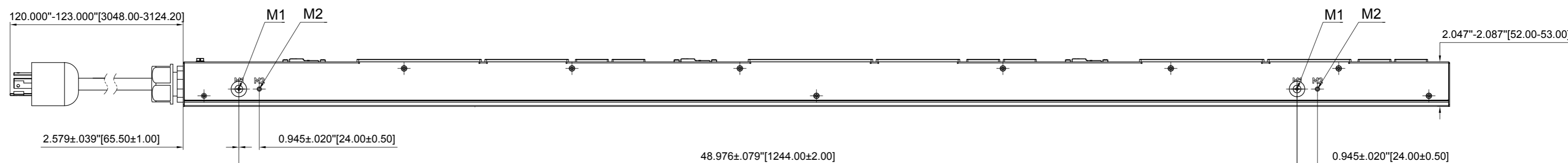
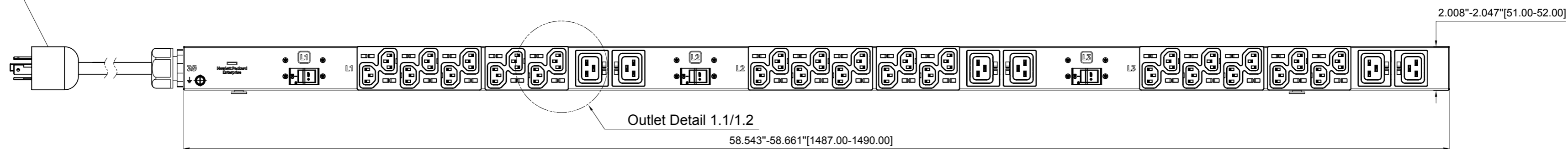
Mounting Button Detail
For mounting at locations M1 or M2 on either side or back of the PDU



Outlet Detail: 1.1



Outlet Detail: 1.2



Wiring Scheme

Product Information

Input Ratings

Nominal Voltage	208VAC, 3-Ph, 50/60Hz
Input Plug	NEMA L15-30P (Over-molded),
Cord Type/Length	Type SJT; 90°C; 300V; 10AWG; 4C/(10')
Current Rating	24A (Derated)
Power Rating (kVA)	8.646 kVA

Output Ratings

Nominal Voltage	208VAC, 50/60Hz
Current Rating	24A Max
Max Current/Breaker	20A Max

Outlet Configuration

Total Outlets	(30)C13, (6)C19
Outlets / Load Segment	(10)C13, (2)C19
Branch Circuit Protection	(3) 2-Pole 20A UL 489 Breaker

Features

Cord Retention 1	Locking power cord (optional)
Cord Retention 2	Integrated retention with tie wrap
Mounting Option	Vertical (0U)
Mounting Hardware	Included

Environmental Conditions

Operating Temperature	50-140°F (10-60°C)
Operating Rel Humidity	10-90%
Operating Elevation	0-10000ft [0-3000m]

Regulatory Information

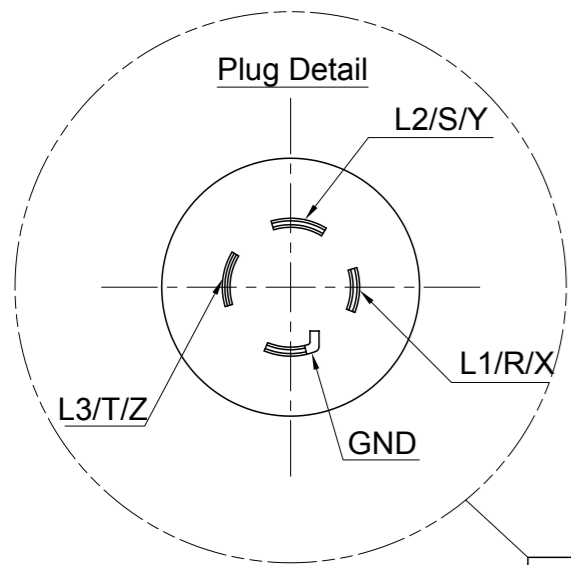
UL or CSA, CB Test

Unit Weight

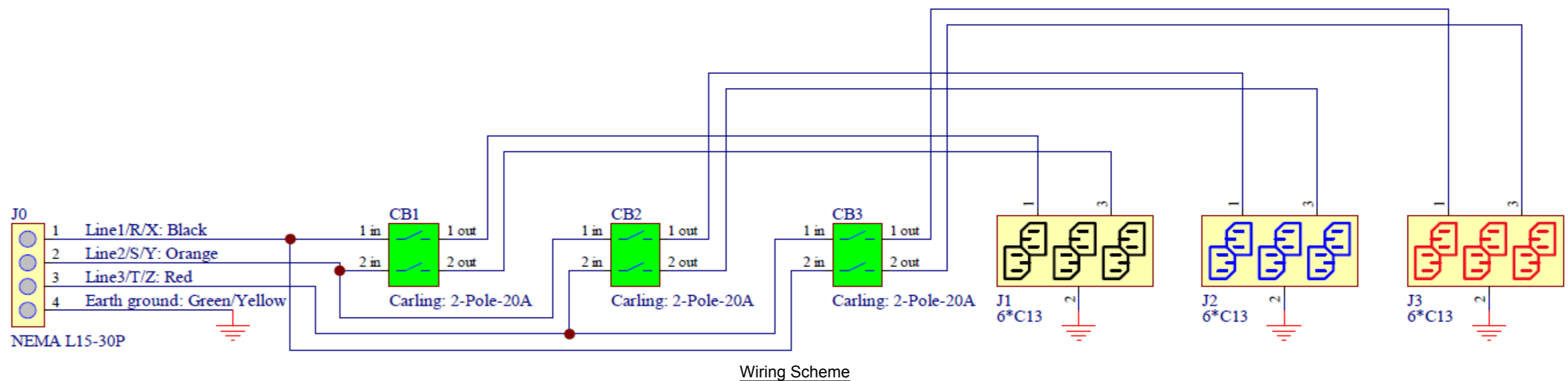
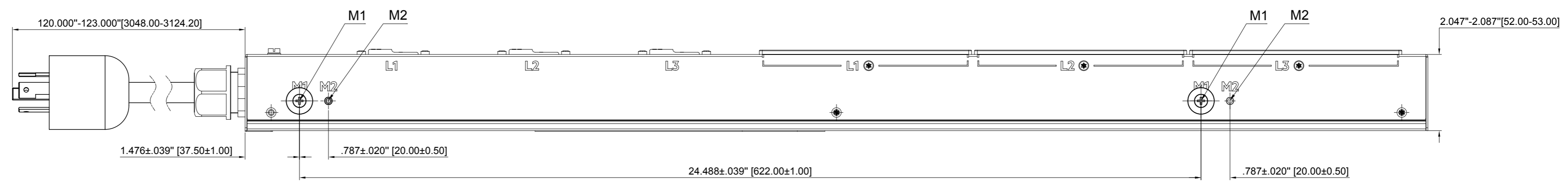
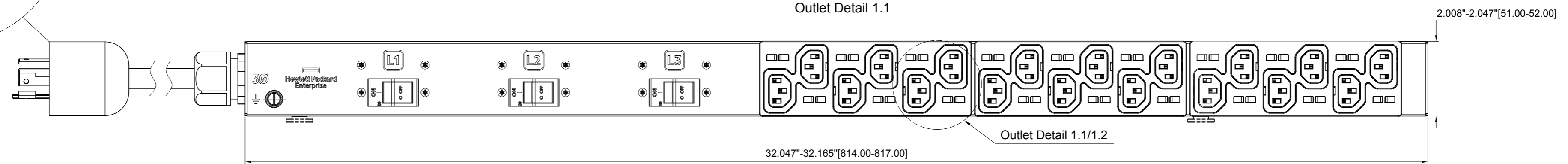
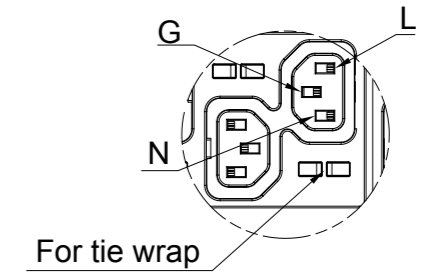
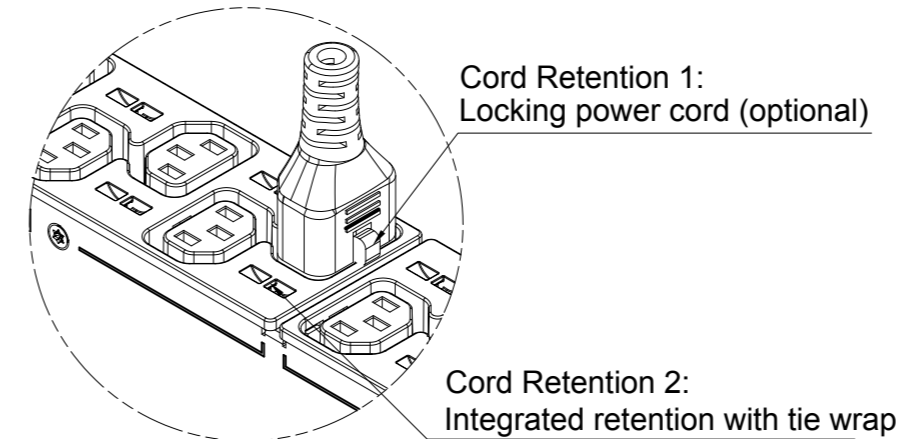
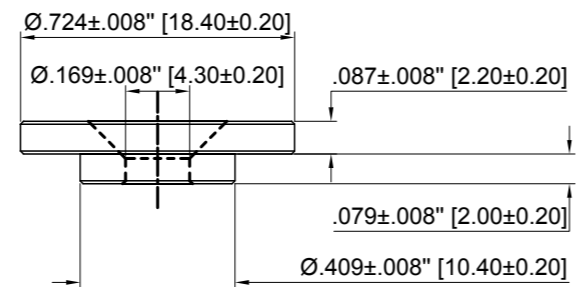
Weight (13.5lbs[6.2kg])

PDU Classification	Basic
Part Number	P9Q53A
Specification Number	866817-B





Mounting Button Detail
For mounting at locations M1 or M2 on either side or back of the PDU



Product Information

Input Ratings

Nominal Voltage	208VAC, 3-Ph, 50/60Hz
Input Plug	NEMA L15-30P (Over-molded)
Cord Type/Length	Type SJT; 90C; 300V; 10AWG; 4C/(10')
Current Rating	24A (Derated)
Power Rating (kVA)	8.646 kVA

Output Ratings

Nominal Voltage	208VAC, 50/60Hz
Current Rating	24A Max
Max Current/Breaker	20A Max

Outlet Configuration

Total Outlets	(18)C13
Outlets / Load Segment	(6)C13
Branch Circuit Protection	(3) 2-Pole 20A UL 489 Breaker

Features

Cord Retention 1	Locking power cord (optional)
Cord Retention 2	Integrated retention with tie wrap
Mounting Option	Vertical (OU)
Mounting Hardware	Included

Environmental Conditions

Operating Temperature	50-140°F (10-60°C)
Operating Rel Humidity	10-90%
Operating Elevation	0-10000ft [0-3000m]

Regulatory Information

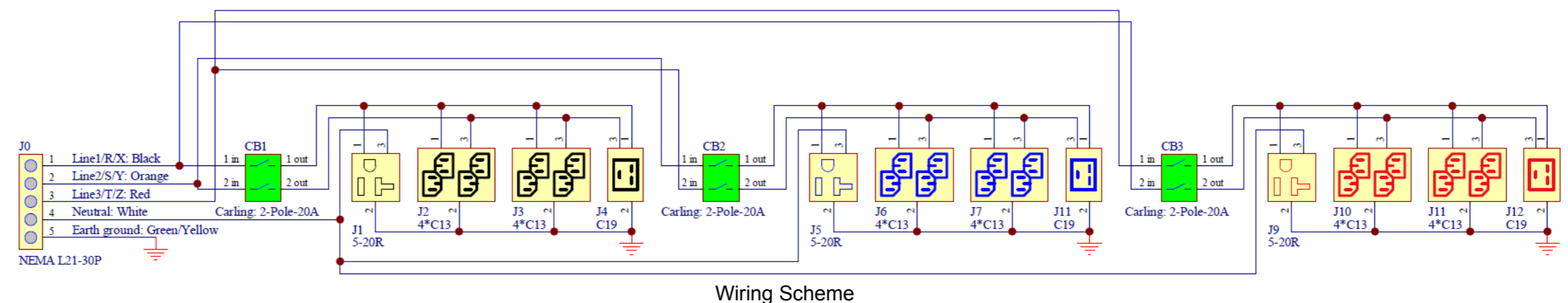
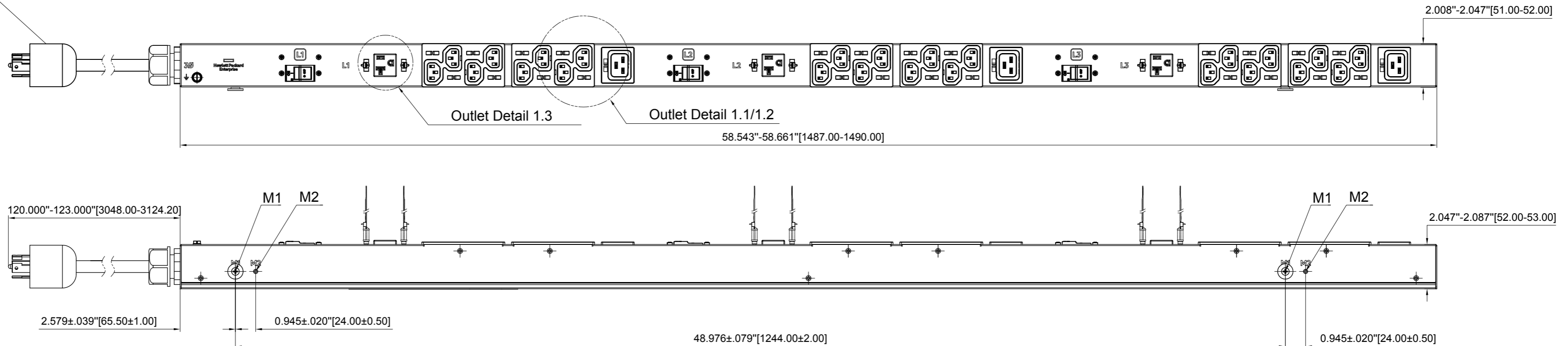
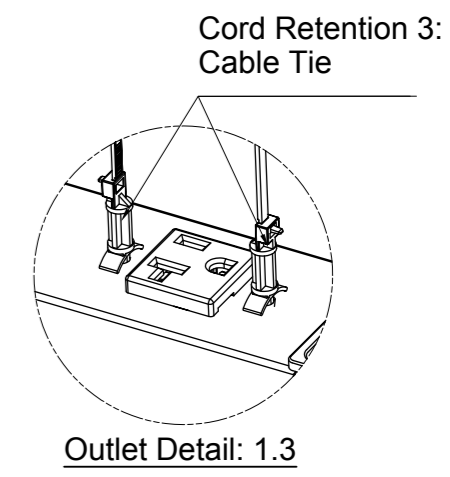
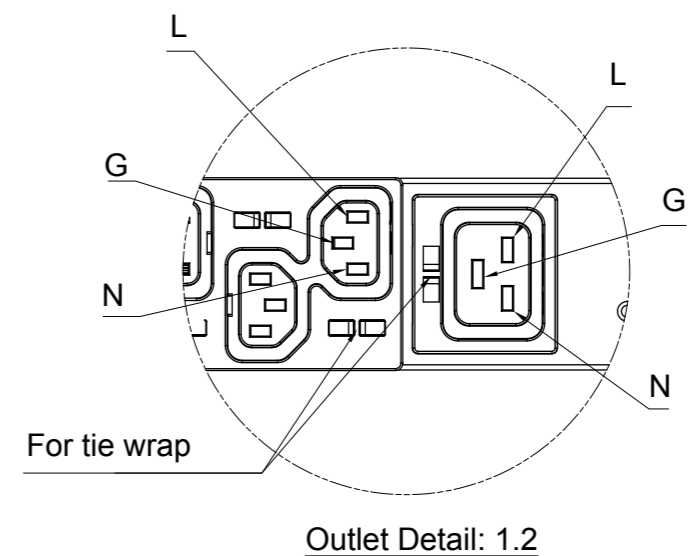
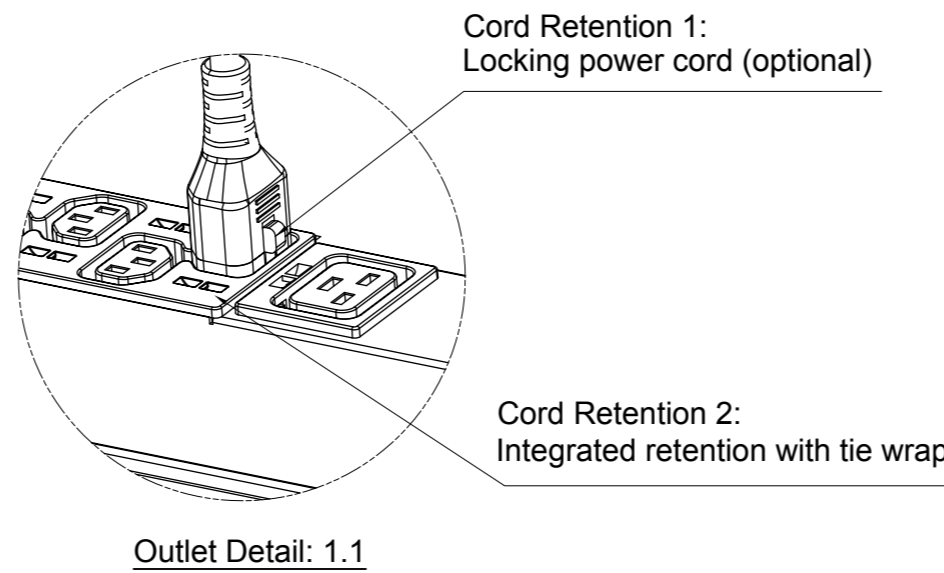
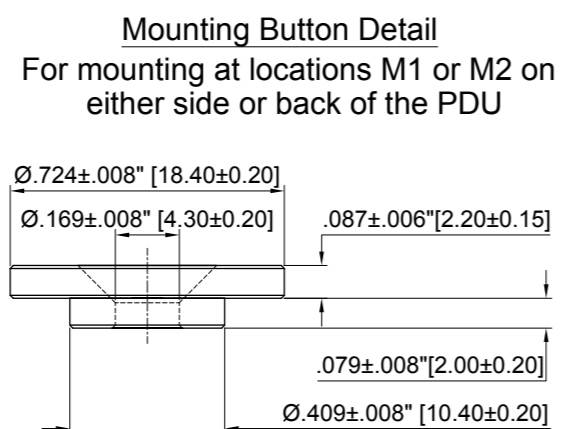
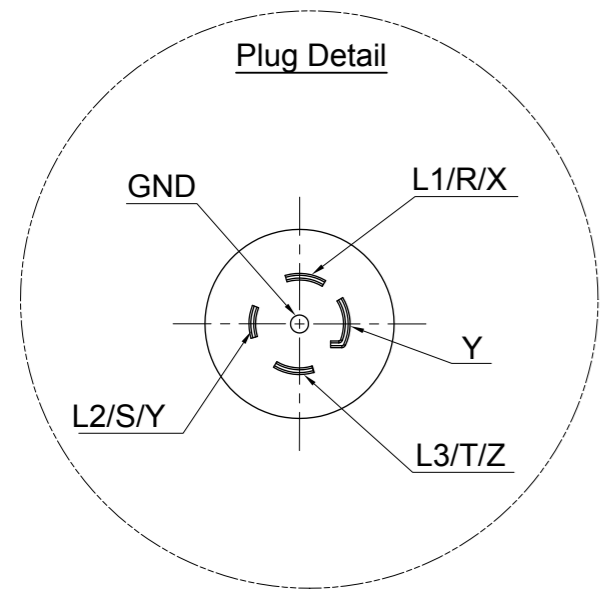
UL or CSA, CB test

Unit Weight

Weight (9.3lbs[4.2kg])

PDU Classification	Basic
Part Number	P9Q54A
Specification Number	866817-B





Product Information

Input Ratings

Nominal Voltage	120/208VAC, 3-Ph, 50/60Hz
Input Plug	NEMA L21-30P (Over-molded),
Cord Type/Length	Type SJT; 90°C; 300V; 10AWG; 5C/(10')
Current Rating	24A (Derated)
Power Rating (kVA)	8.646 kVA

Output Ratings

Nominal Voltage	120/208VAC, 50/60Hz
Current Rating	24A Max
Max Current/Breaker	20A Max

Outlet Configuration

Total Outlets	(24)C13, (3)C19, (3)5-20R
Outlets / Load Segment	(8)C13, (1)C19, (1)5-20R
Branch Circuit Protection	(3) 2-Pole 20A UL 489 Breaker

Features

Cord Retention 1	Locking power cord (optional)
Cord Retention 2	Integrated retention with tie wrap
Cord Retention 3	Cable Tie
Mounting Option	Vertical (0U)
Mounting Hardware	Included

Environmental Conditions

Operating Temperature	50-140°F (10-60°C)
Operating Rel Humidity	10-90%
Operating Elevation	0-10000ft [0-3000m]

Regulatory Information

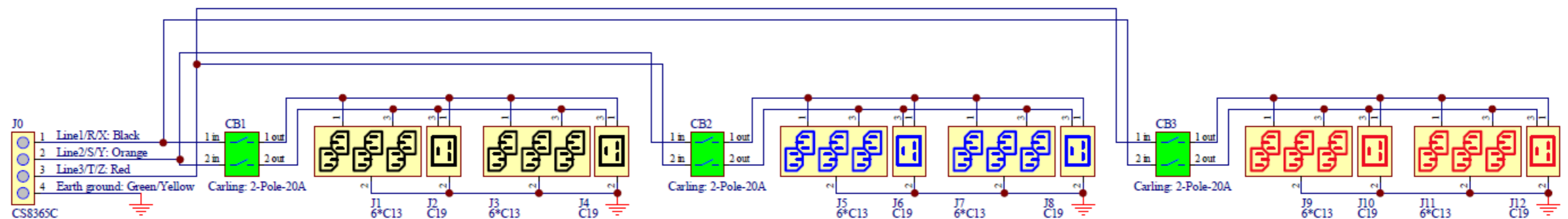
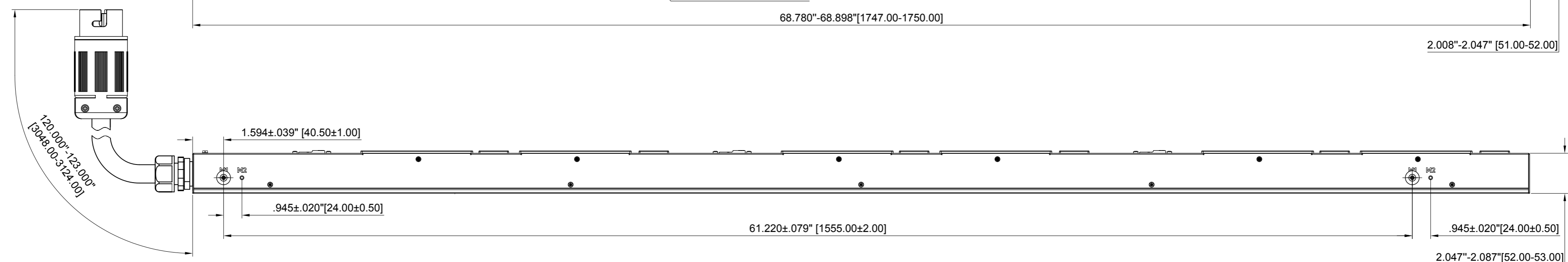
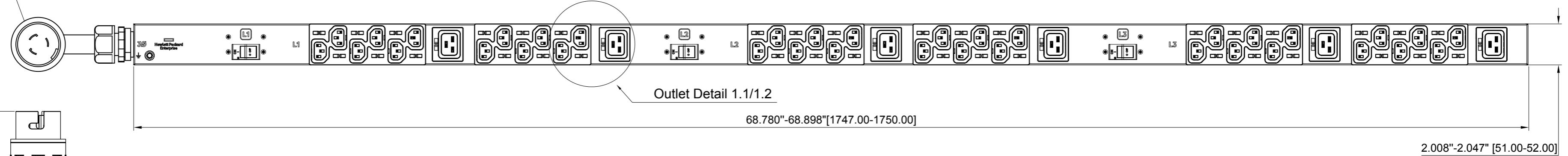
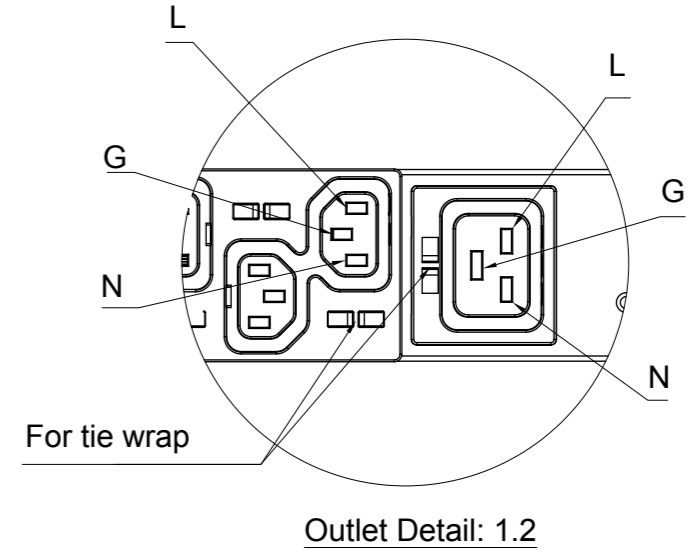
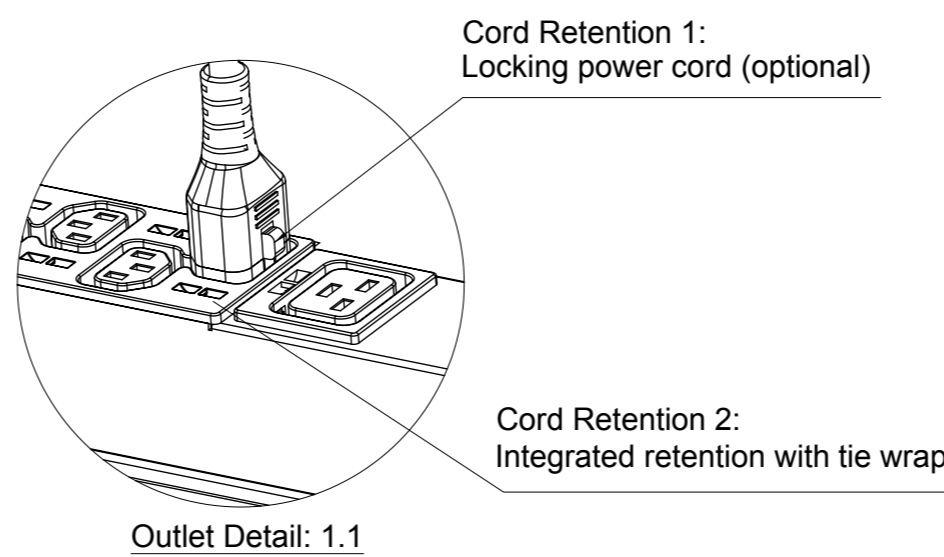
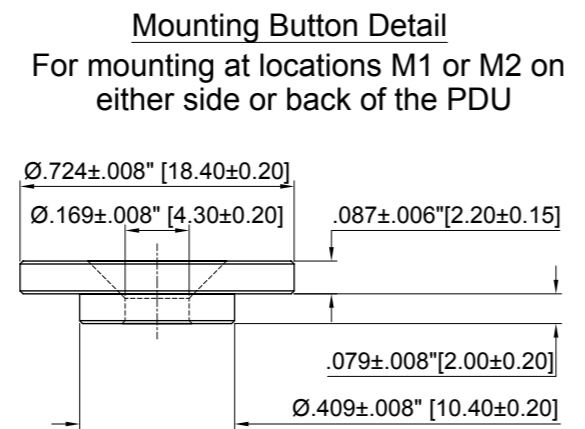
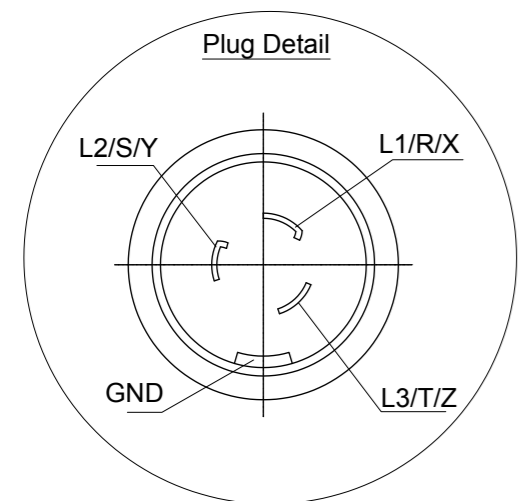
UL or CSA, CB Test

Unit Weight

Weight (14.0lbs[6.3kg])

PDU Classification	Basic
Part Number	P9Q55A
Specification Number	866817-B



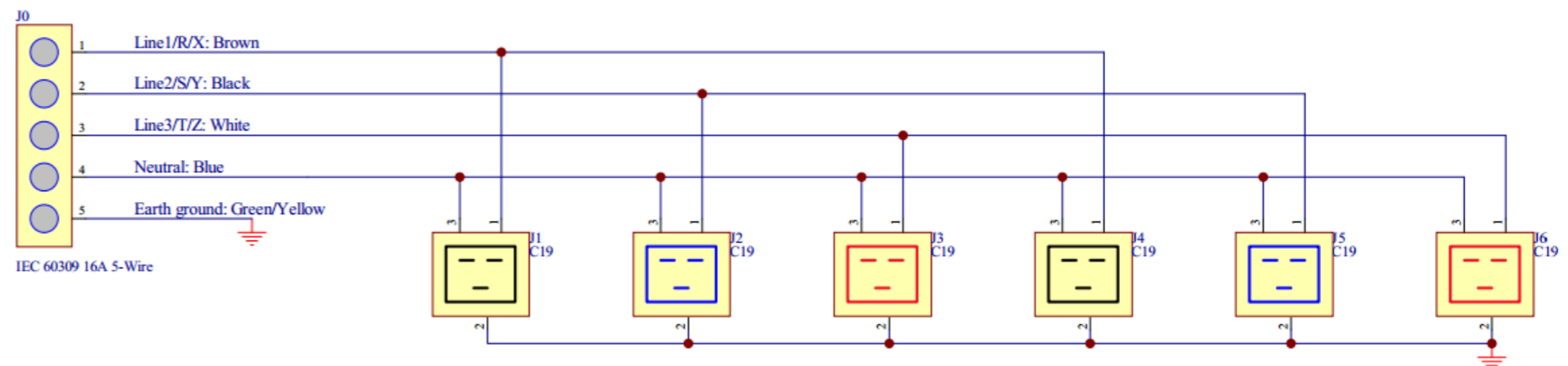
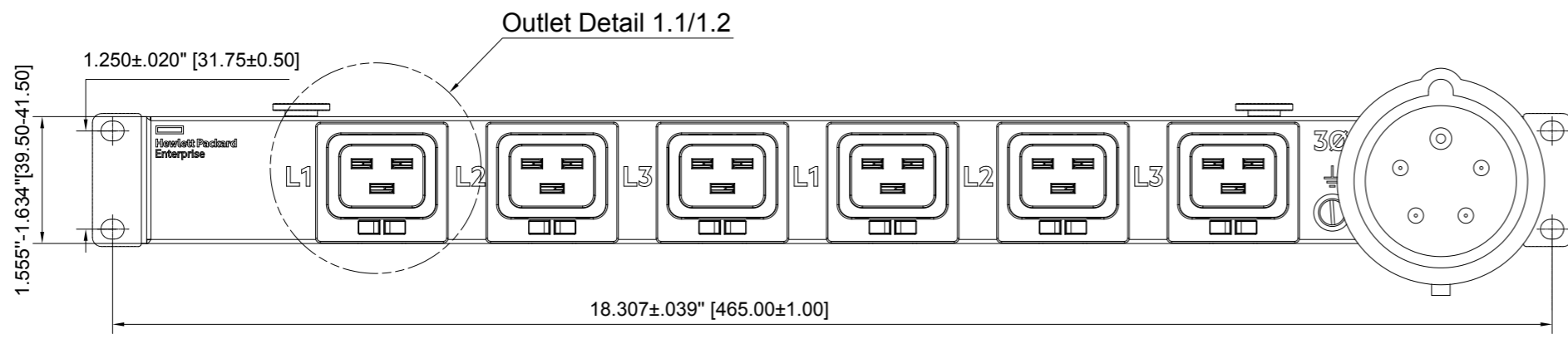
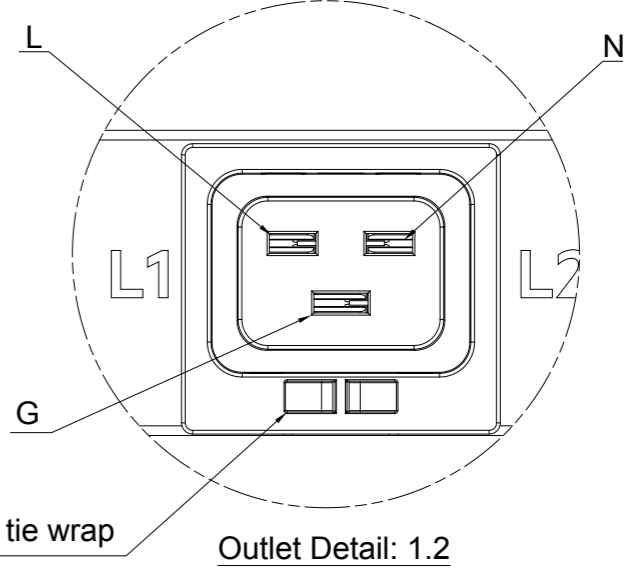
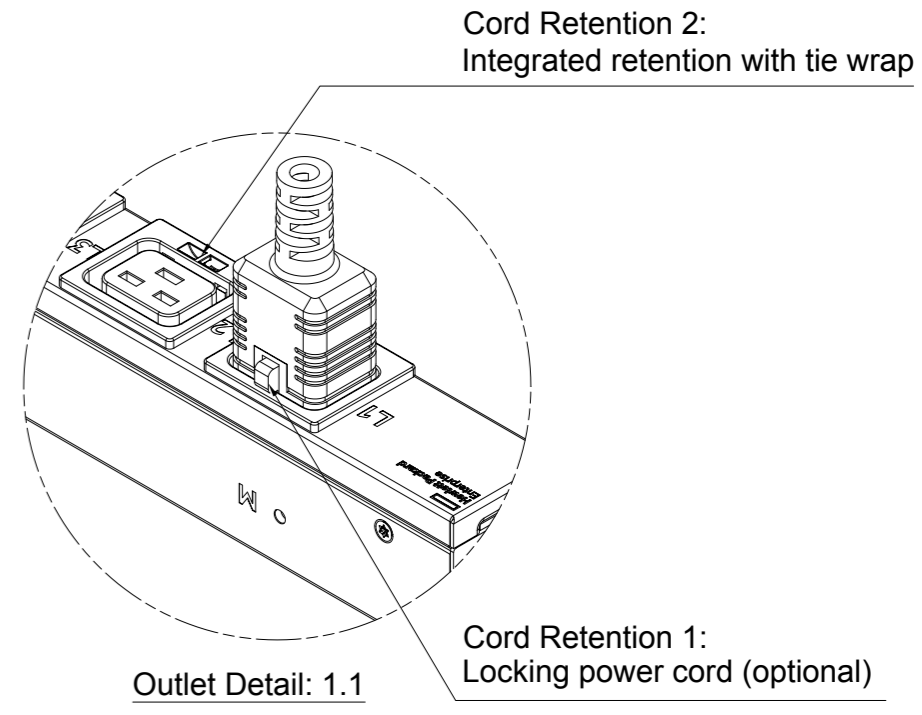
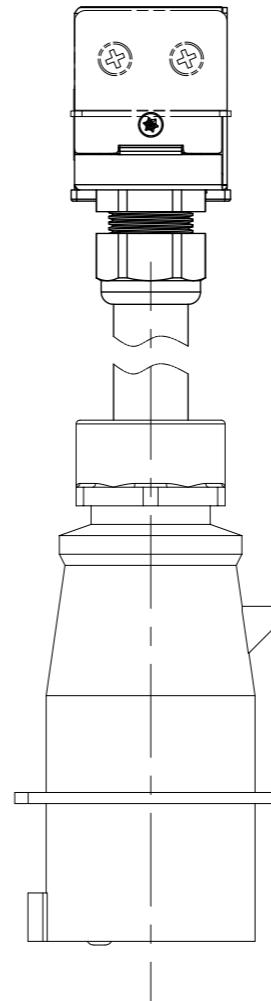
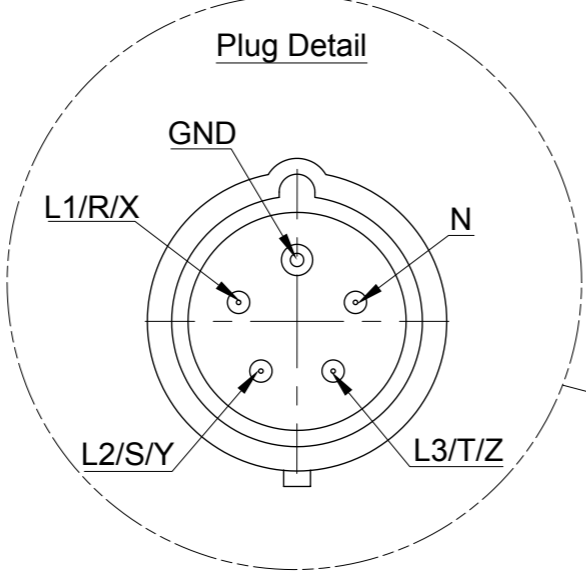
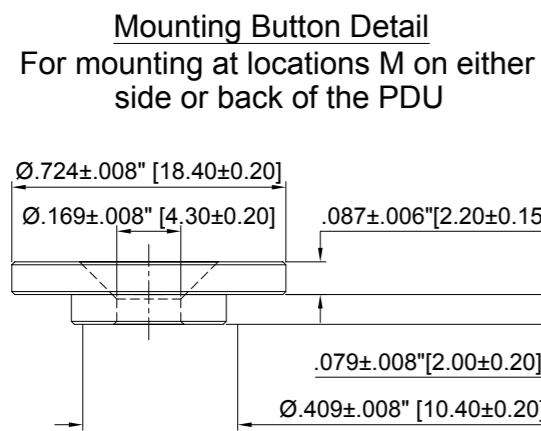
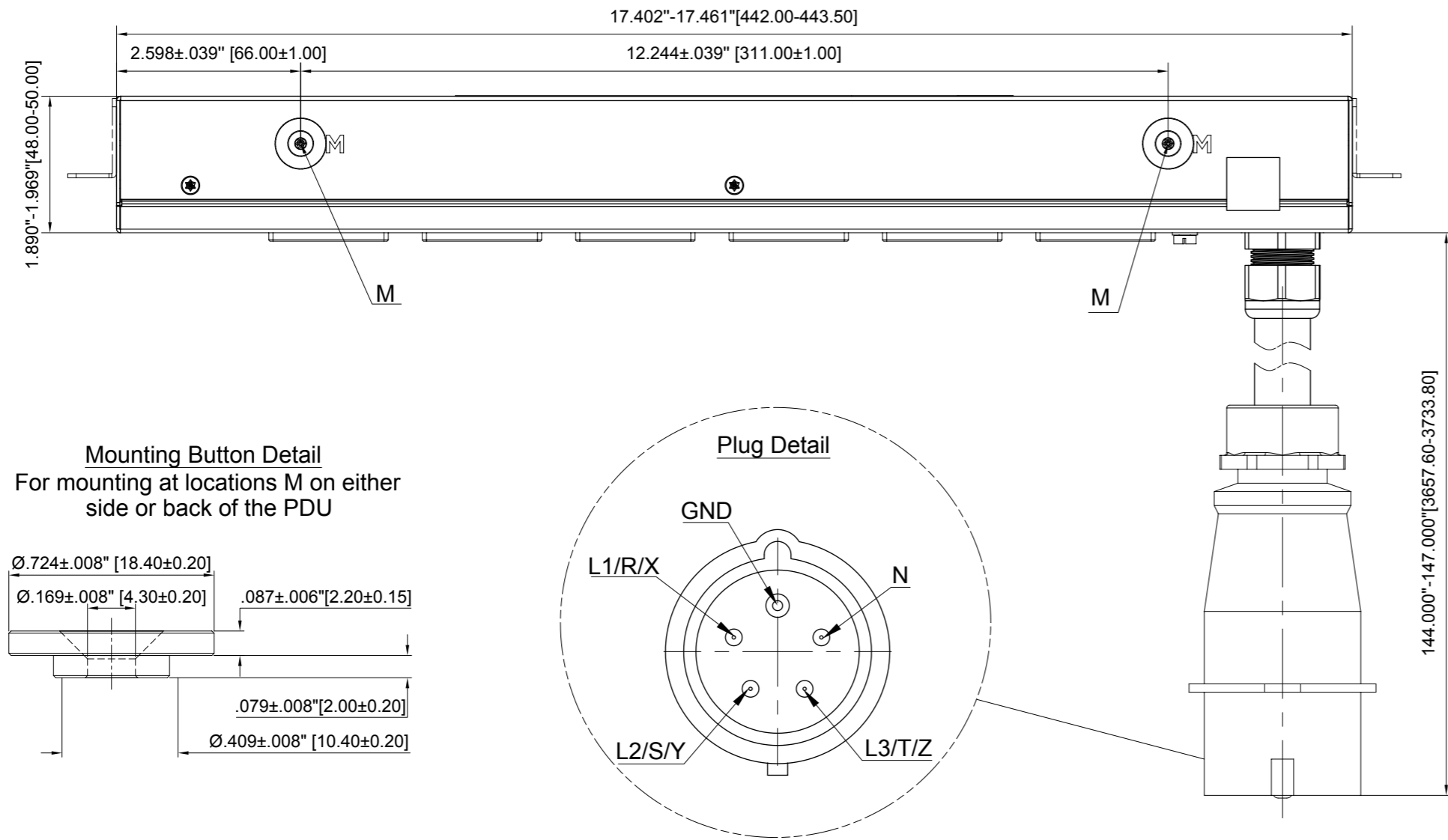


Product Information

Input Ratings	
Nominal Voltage	208VAC, 3-Ph, 50/60Hz
Input Plug	CS8365C
Cord Type/Length	Type SOOW 90°C,600V,8AWG,4C/(10')
Current Rating	
Current Rating	28A (Derated)
Power Rating (kVA)	9.984 kVA
Output Ratings	
Nominal Voltage	208VAC, 50/60Hz
Current Rating	28A Max
Max Current/Breaker	20A Max
Outlet Configuration	
Total Outlets	(36)C13, (6)C19
Outlets / Load Segment	(12)C13, (2)C19
Branch Circuit Protection	(3) 2-Pole 20A UL 489 Breaker

Features	
Cord Retention 1	Locking power cord (optional)
Cord Retention 2	Integrated retention with tie wrap
Mounting Option	Vertical (0U)
Mounting Hardware	Included
Environmental Conditions	
Operating Temperature	50-140°F (10-60°C)
Operating Rel Humidity	10-90%
Operating Elevation	0-10000ft [0-3000m]
Regulatory Information	
UL or CSA, CB Test	
Unit Weight	
Weight (17.4lbs[7.9kg])	

PDU Classification	Basic
Part Number	P9Q56A
Specification Number	866817-B



Product Information

Input Ratings
 Nominal Voltage 230VAC, 3-Ph, 50/60Hz
 Input Plug IEC 60309 16A 5-wire
 Cord Type/Length H07RNF5G1.5/(12')
 Current Rating 16A
 Power Rating (kVA) 11.04 kVA

Output Ratings
 Nominal Voltage 230VAC, 50/60Hz
 Current Rating 16A Max

Outlet Configuration
 Total Outlets (6)C19

Features
 Cord Retention 1
 Cord Retention 2
 Mounting Option
 Mounting Hardware
 Locking power cord (optional)
 Integrated retention with tie wrap
 Vertical (0U), Between RETMA rail (0U), Horizontal (1U)
 Included

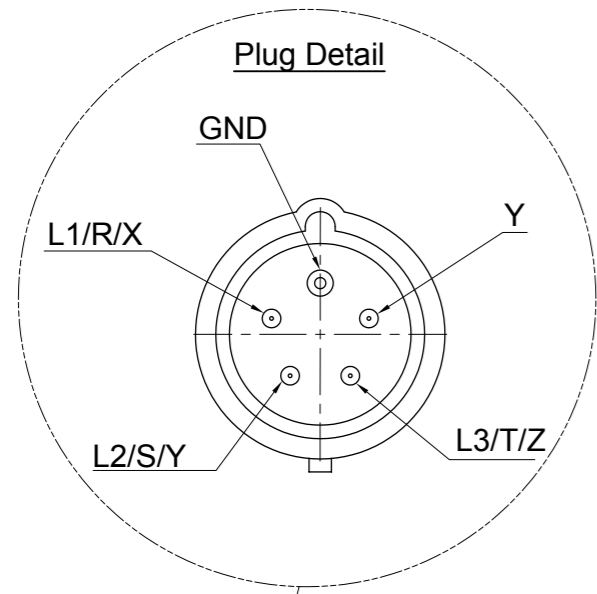
Environmental Conditions
 Operating Temperature 50-140°F (10-60°C)
 Operating Rel Humidity 10-90%
 Operating Elevation 0-10000ft [0-3000m]

Regulatory Information
 CE, D mark, EAC

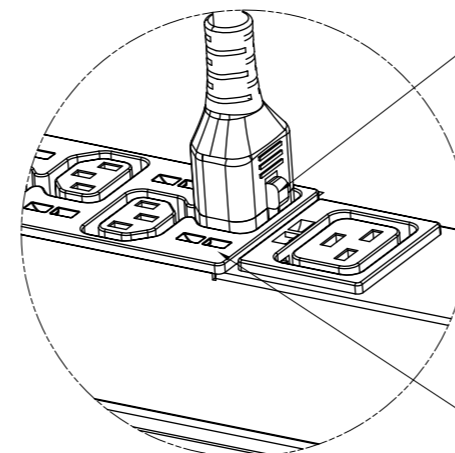
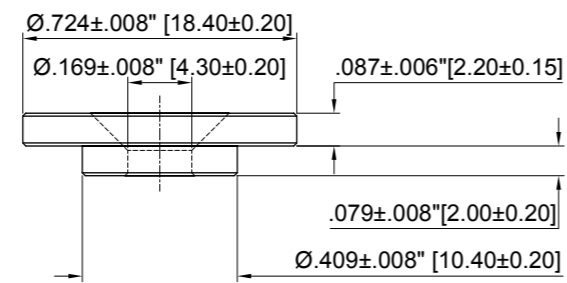
Unit Weight
 Weight (5.1lbs[2.3kg])

PDU Classification	Basic
Part Number	P9Q57A
Specification Number	866817-B





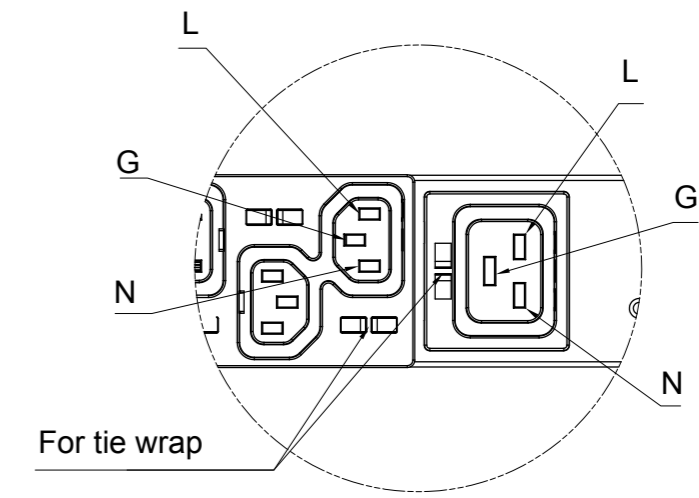
Mounting Button Detail
For mounting at locations M1 or M2 on either side or back of the PDU



Outlet Detail: 1.1

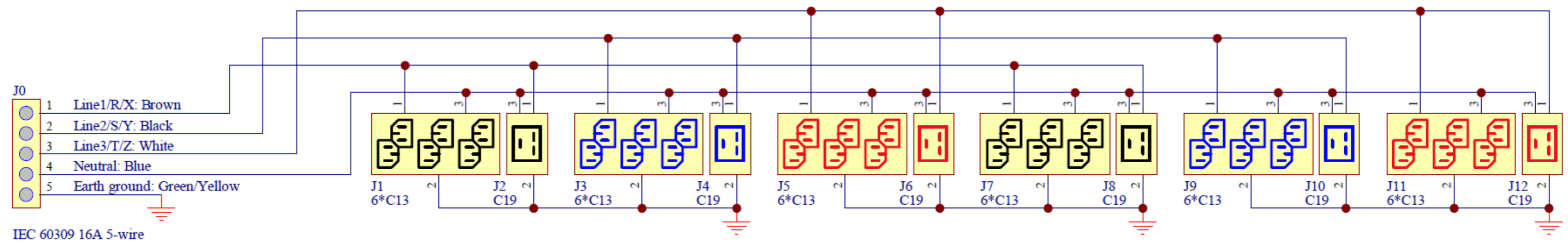
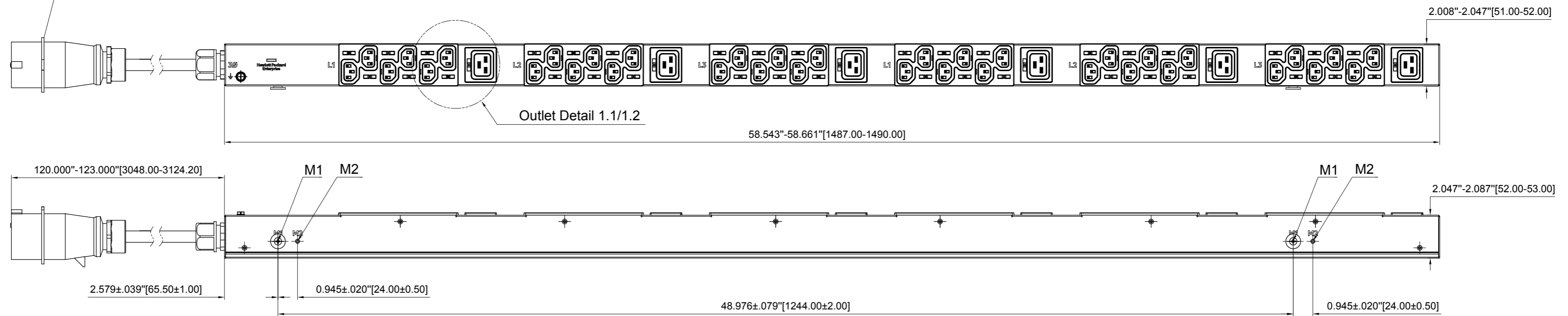
Cord Retention 1:
Locking power cord (optional)

Cord Retention 2:
Integrated retention with tie wrap



Outlet Detail: 1.2

For tie wrap



Product Information

Input Ratings

Nominal Voltage	230VAC, 3-Ph, 50/60Hz
Input Plug	IEC 60309 16A 5-wire
Cord Type/Length	H07RNF5G1.5/(10')
Current Rating	16A
Power Rating (kVA)	11.04 kVA

Output Ratings

Nominal Voltage	230VAC, 50/60Hz
Current Rating	16A Max

Outlet Configuration

Total Outlets	(36)C13, (6)C19
---------------	-----------------

Features

Cord Retention 1	Locking power cord (optional)
Cord Retention 2	Integrated retention with tie wrap
Mounting Option	Vertical (0U)
Mounting Hardware	Included

Environmental Conditions

Operating Temperature	50-140°F (10-60°C)
Operating Rel Humidity	10-90%
Operating Elevation	0-10000ft [0-3000m]

Regulatory Information

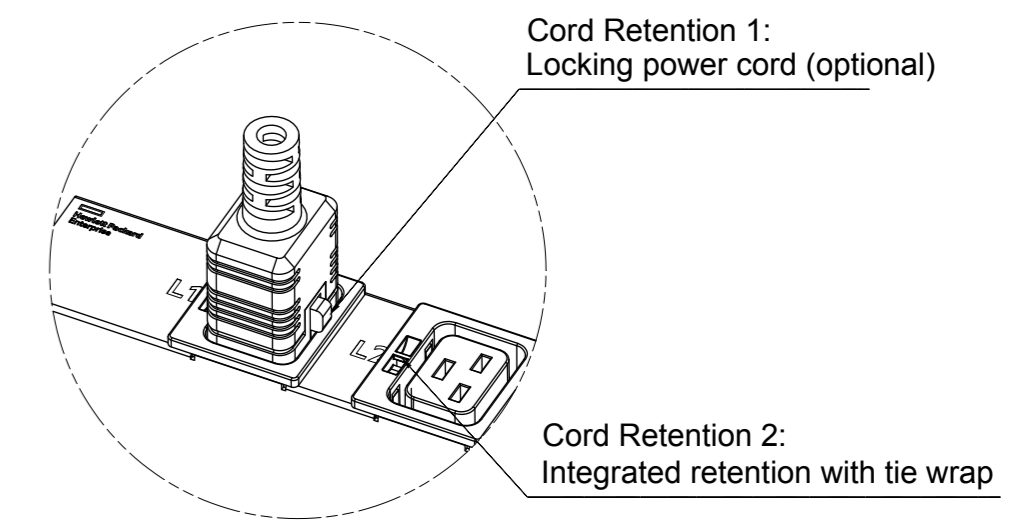
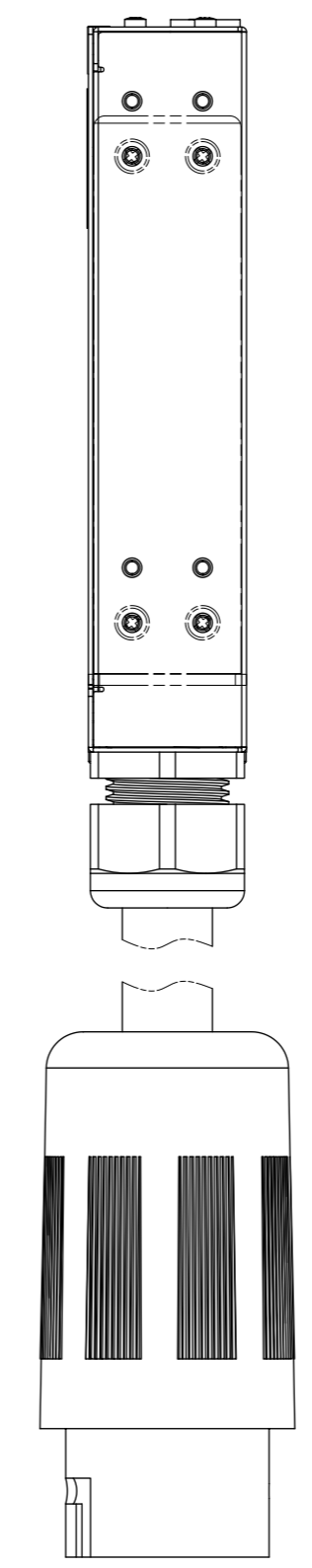
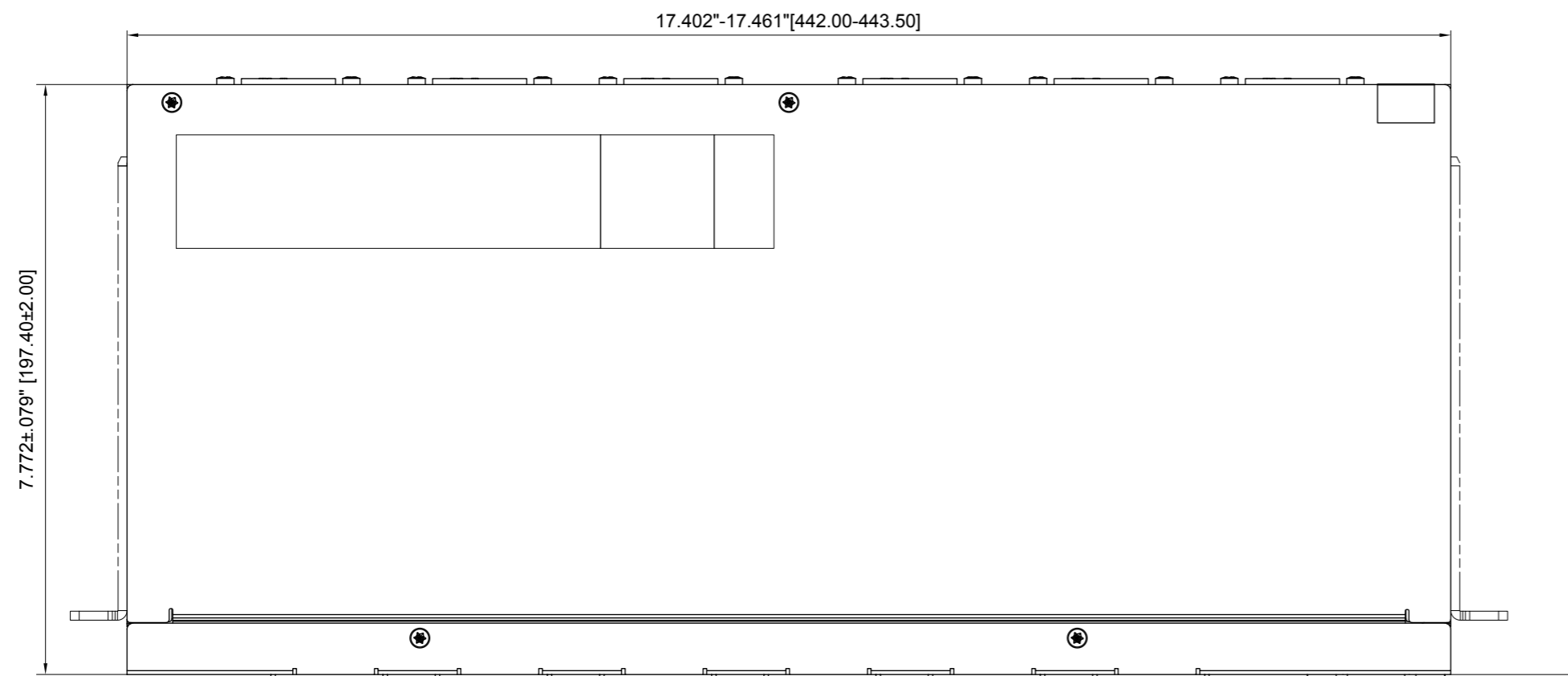
CE, D mark, EAC

Unit Weight

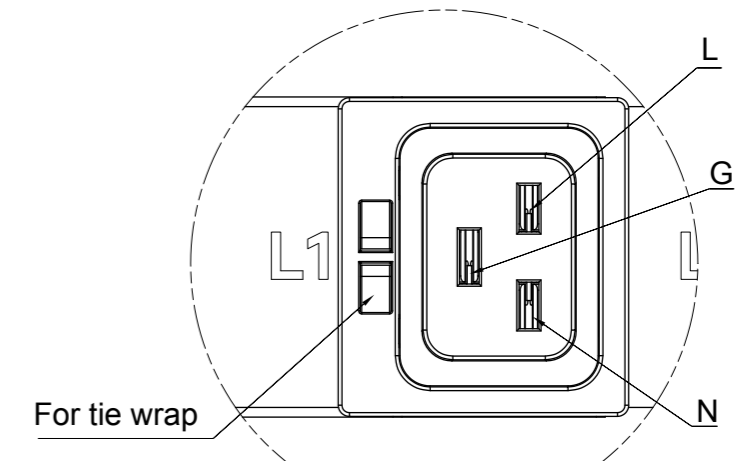
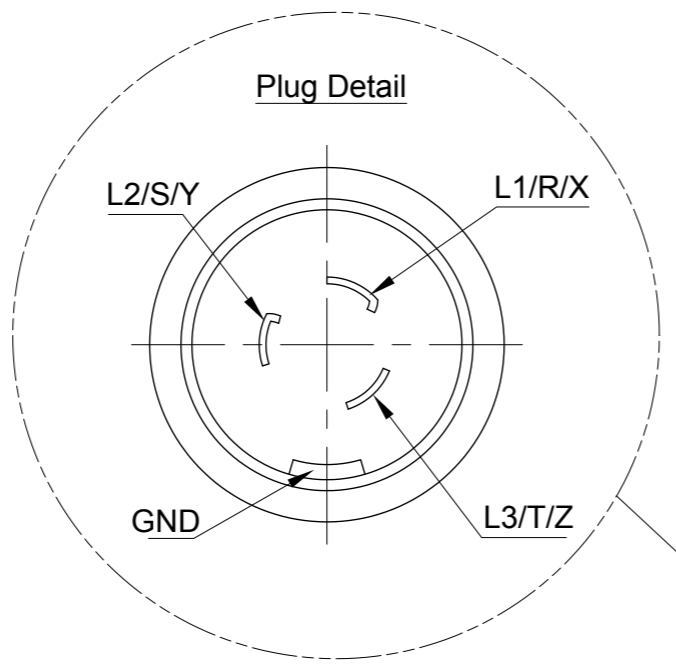
Weight (9.9lbs[4.5kg])

PDU Classification	Basic
Part Number	P9Q58A
Specification Number	866817-B

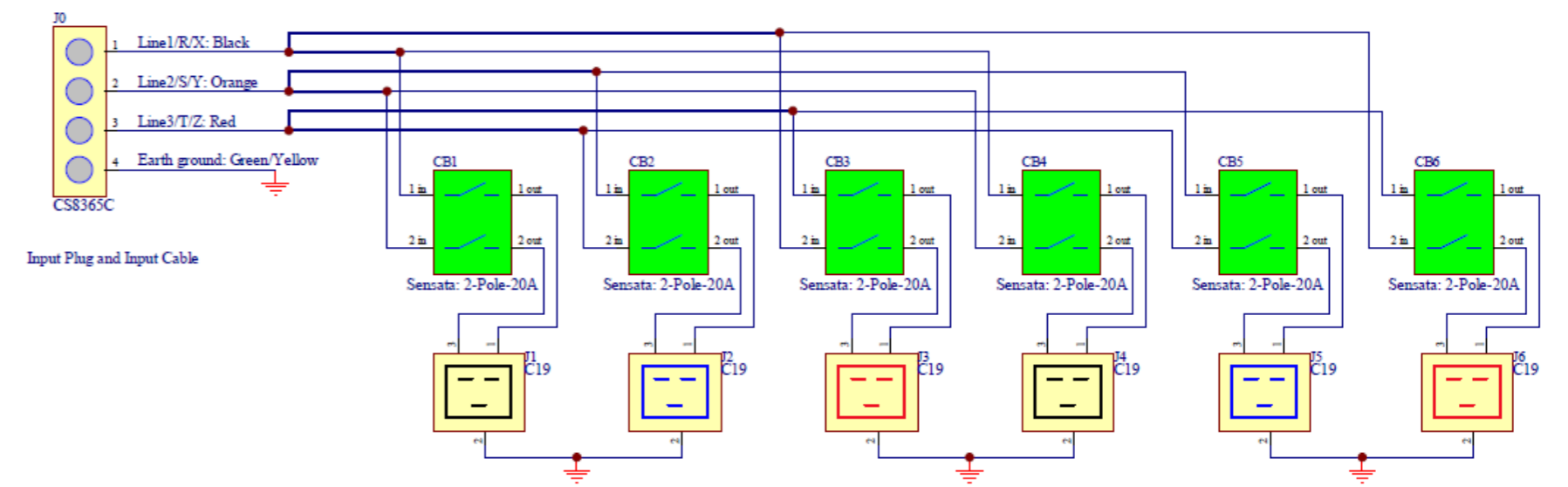
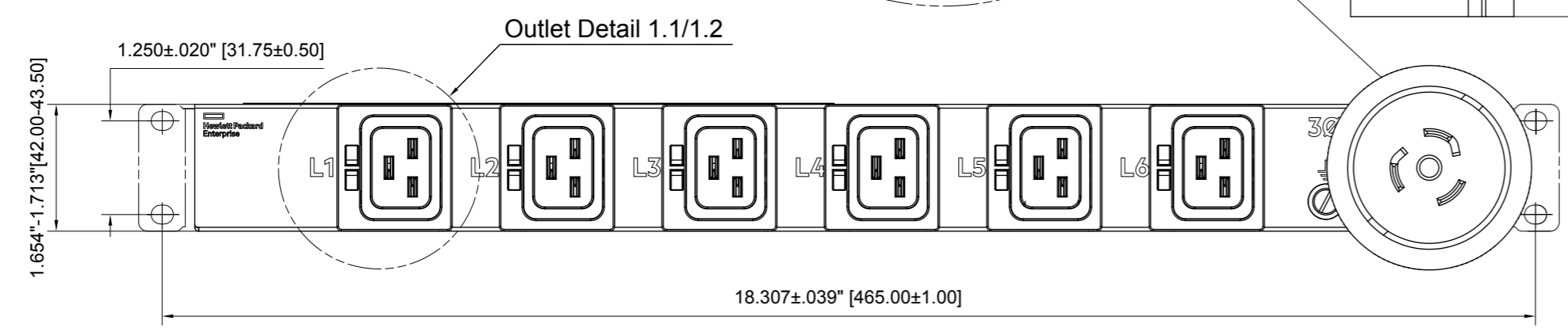
Hewlett Packard
Enterprise



Outlet Detail: 1.1



Outlet Detail: 1.2



Wiring Scheme

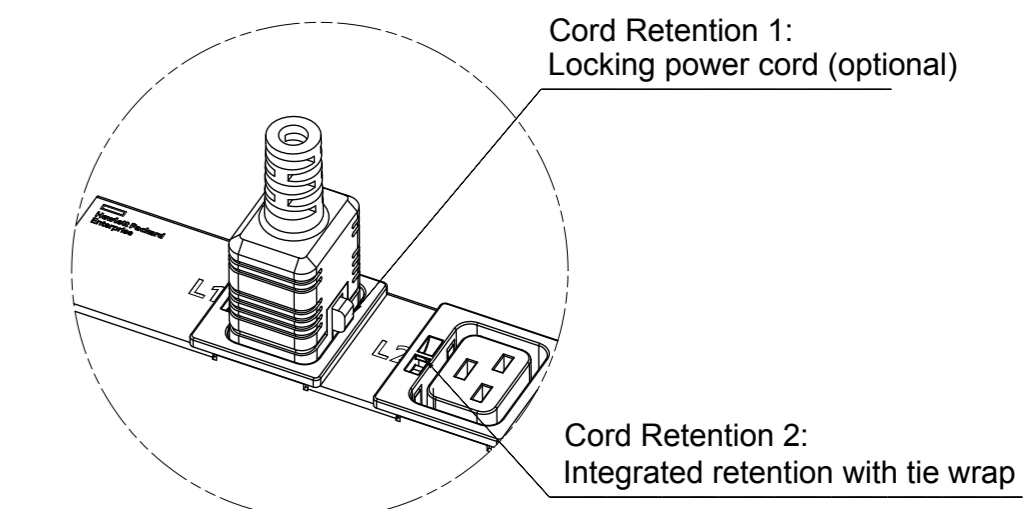
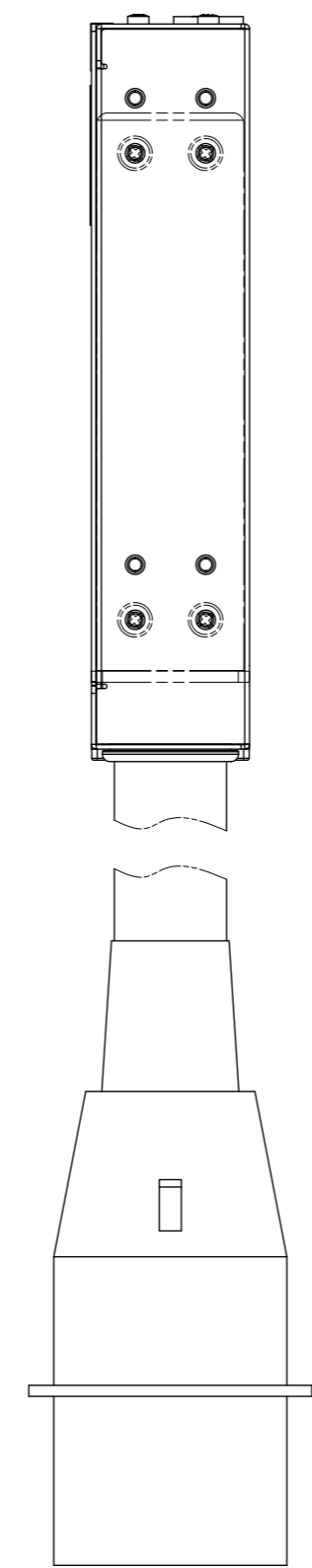
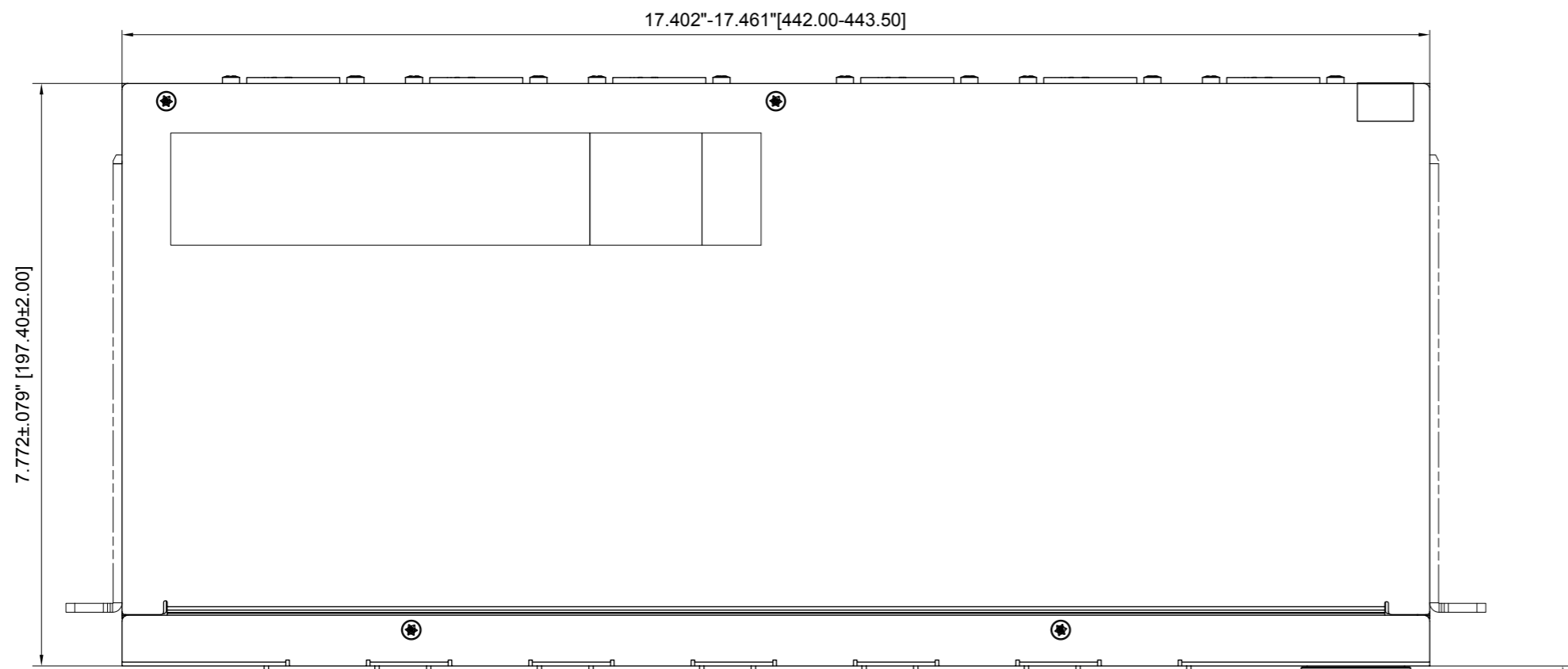
Product Information

Input Ratings	
Nominal Voltage	208VAC, 3-Ph, 50/60Hz
Input Plug	CS8365C
Cord Type/Length	Type SOOW; 90°C;600V;8AWG;4C/(12')
Current Rating	40A (Derated)
Power Rating (kVA)	14.41 kVA
Output Ratings	
Nominal Voltage	208VAC, 50/60Hz
Current Rating	40A Max
Max Current/Breaker	16A Max

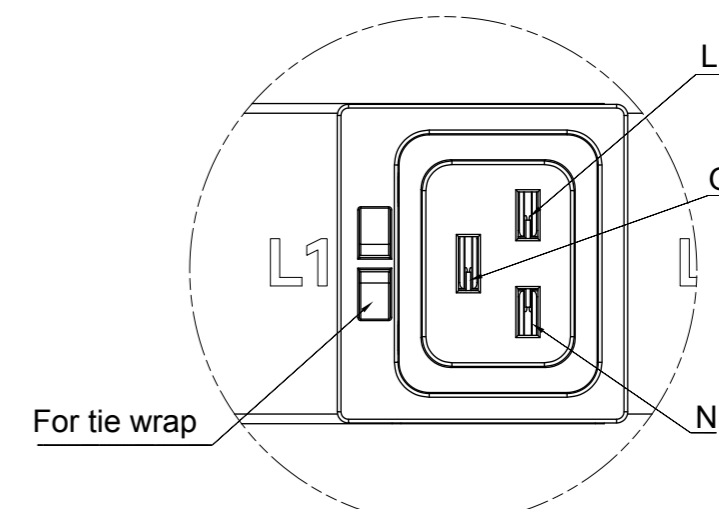
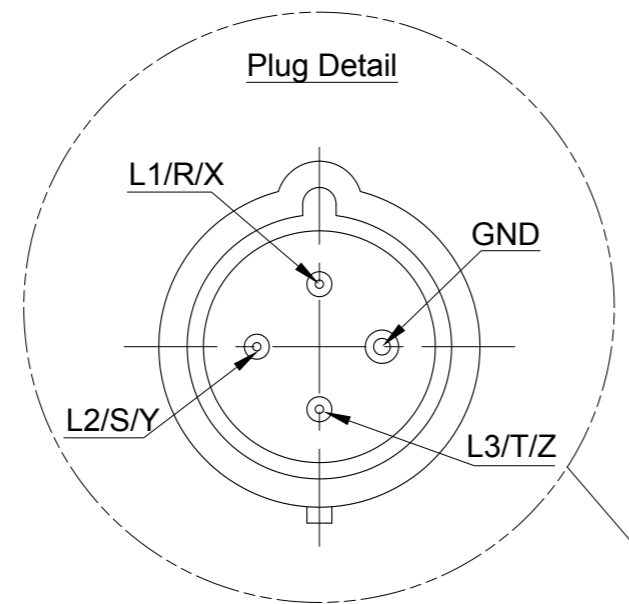
Outlet Configuration	
Total Outlets	(6)C19
Outlets / Load Segment	(1)C19
Branch Circuit Protection	(6) 2-Pole 20A UL 489 Breaker
Features	
Cord Retention 1	Locking power cord (optional)
Cord Retention 2	Integrated retention with tie wrap
Mounting Option	Between RETMA rail (0U), Horizontal (1U)
Mounting Hardware	Included

Environmental Conditions	
Operating Temperature	50-140°F (10-60°C)
Operating Rel Humidity	10-90%
Operating Elevation	0-10000ft [0-3000m]
Regulatory Information	
UL or CSA, CB Test	
Unit Weight	
Weight (12.1lbs[5.5kg])	

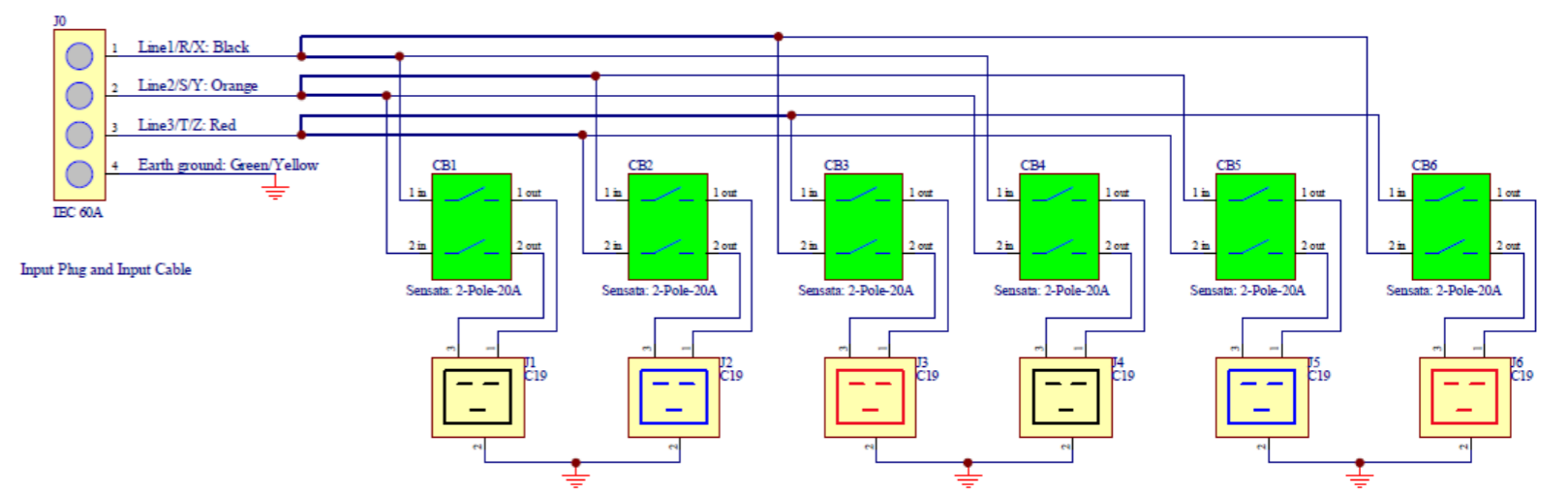
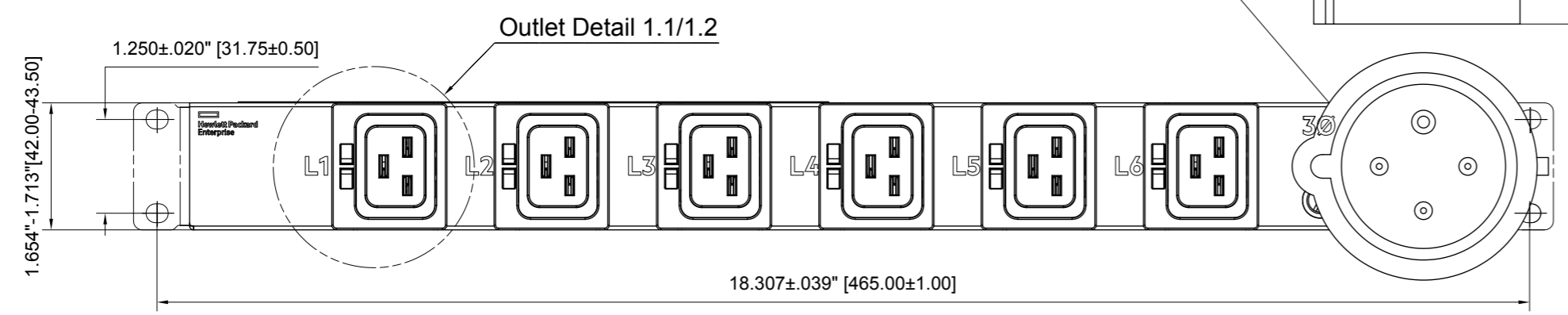
PDU Classification	Basic
Part Number	P9Q59A
Specification Number	866817-B



Outlet Detail: 1.1



Outlet Detail: 1.2



Wiring Scheme

Product Information

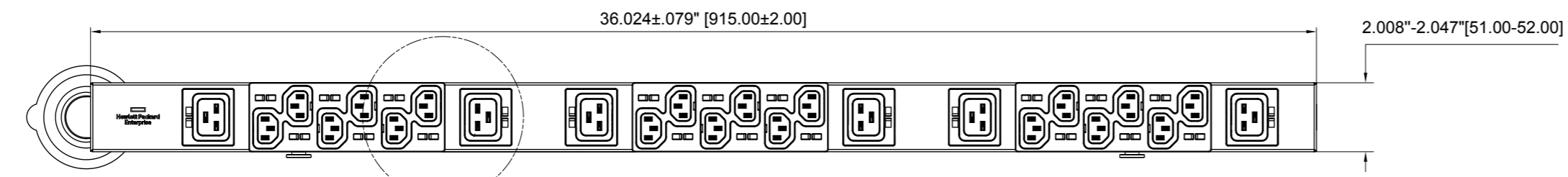
Input Ratings		Outlet Configuration	
Nominal Voltage	208VAC, 3-Ph, 50/60Hz	Total Outlets	(6)C19
Input Plug	IEC 60309 60A 4-wire	Outlets / Load Segment	(1)C19
Cord Type/Length	Type W; 90°C;2000V;6AWG;4C/(12')	Branch Circuit Protection	(6) 2-Pole 20A UL 489 Breaker
Current Rating	48A (Derated)		
Power Rating (kVA)	17.293 kVA		
Output Ratings		Features	
Nominal Voltage	208VAC, 50/60Hz	Cord Retention 1	Locking power cord (optional)
Current Rating	48A Max	Cord Retention 2	Integrated retention with tie wrap
Max Current/Breaker	16A Max	Mounting Option	Between RETMA rail (0U), Horizontal (1U)
		Mounting Hardware	Included

Environmental Conditions	
Operating Temperature	50-140°F (10-60°C)
Operating Rel Humidity	10-90%
Operating Elevation	0-10000ft [0-3000m]

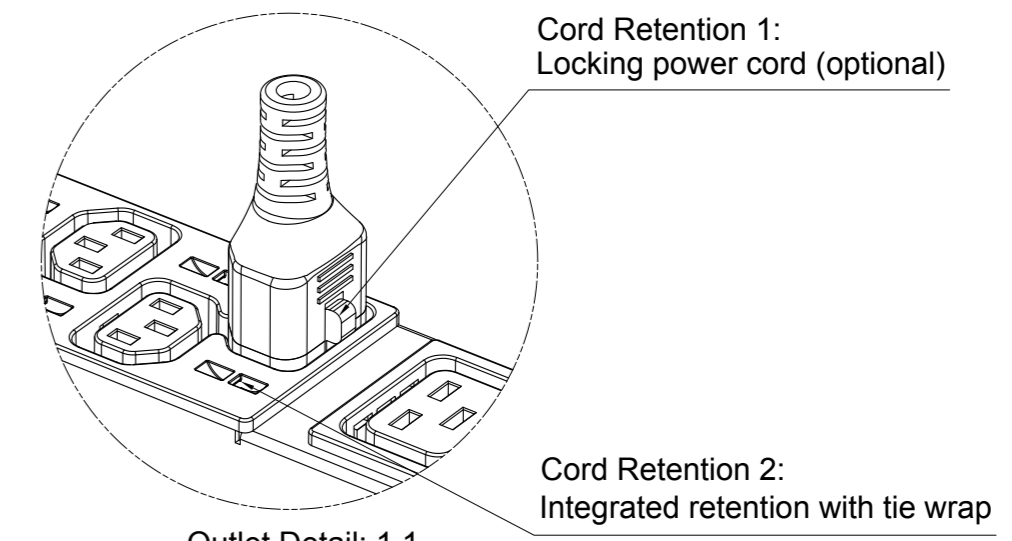
Regulatory Information	
UL or CSA, CB Test	
Unit Weight	
Weight (19.6lbs[8.9kg])	

PDU Classification	Basic
Part Number	P9Q60A
Specification Number	866817-B

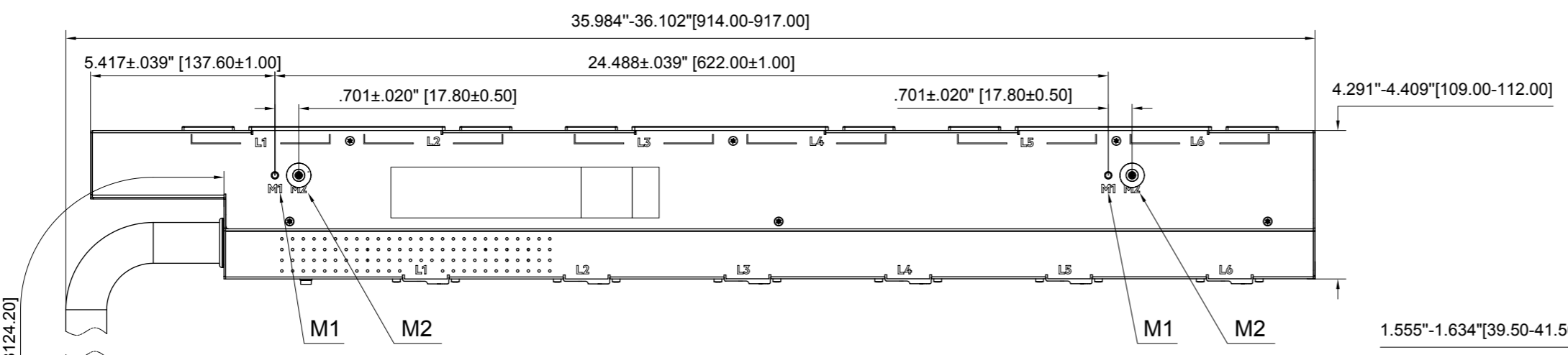




Outlet Detail 1.1/1.2

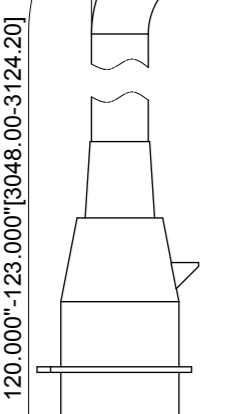


Outlet Detail: 1.1

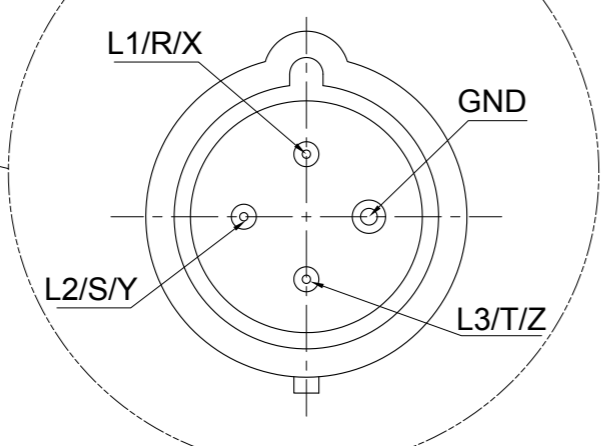


M1 M2

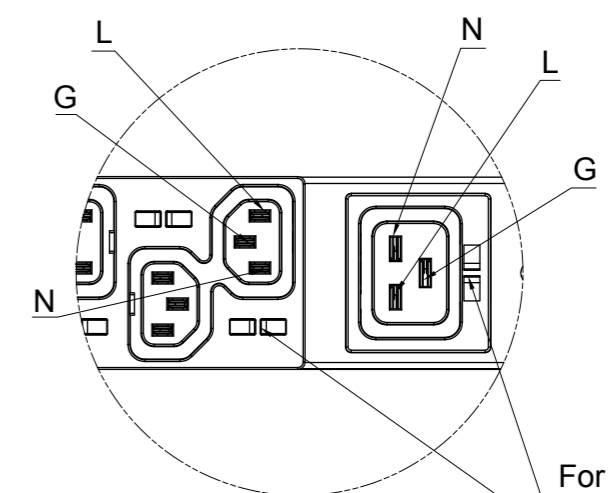
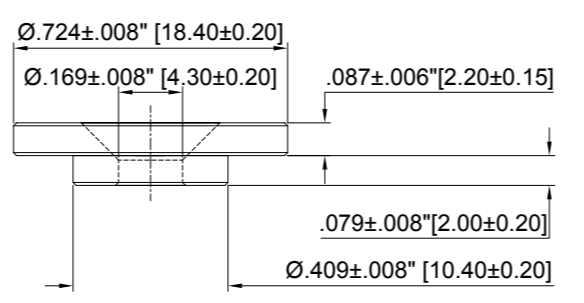
M1 M2



Plug Detail



Mounting Button Detail
For mounting at locations M1 or M2 on either side or back of the PDU



Outlet Detail: 1.2

Product Information

Input Ratings

Nominal Voltage	208VAC, 3-Ph, 50/60Hz
Input Plug	IEC 60309 60A 4-wire
Cord Type/Length	Type W; 90°C; 2000V; 6AWG; 4C/(10')
Current Rating	48A (Derated)
Power Rating (kVA)	17.293 kVA

Output Ratings

Nominal Voltage	208VAC, 50/60Hz
Current Rating	48A Max
Max Current/Breaker	16A Max

Outlet Configuration

Total Outlets	(18)C13, (6)C19
Outlets / Load Segment	(3)C13, (1)C19
Branch Circuit Protection	(6) 2-Pole 20A UL 489 Breaker

Features

Cord Retention 1	Locking power cord (optional)
Cord Retention 2	Integrated retention with tie wrap
Mounting Option	Vertical (0U) side mount only
Mounting Hardware	Included

Environmental Conditions

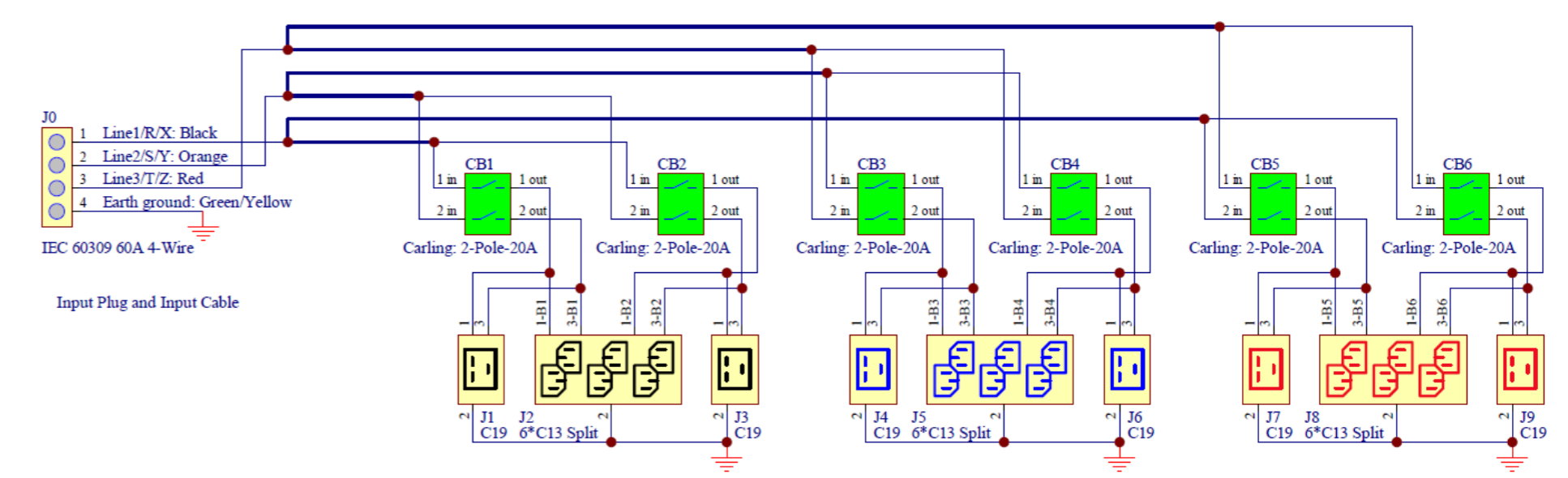
Operating Temperature	50-140°F (10-60°C)
Operating Rel Humidity	10-90%
Operating Elevation	0-10000ft [0-3000m]

Regulatory Information

UL or CSA, CB Test

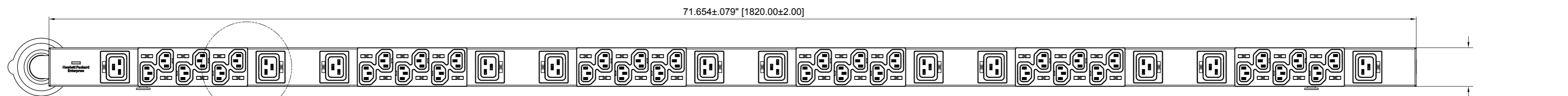
Unit Weight

Weight (21.2lbs[9.6kg])

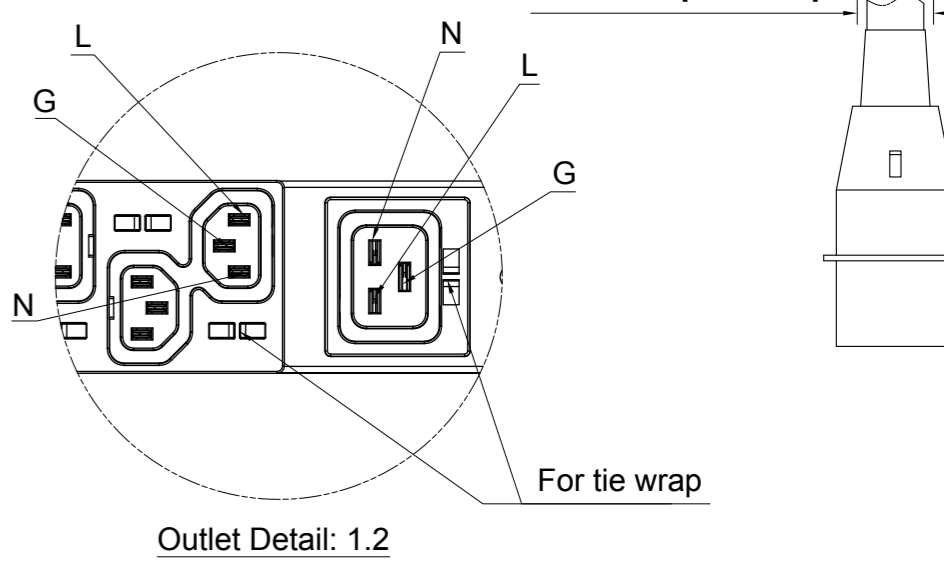
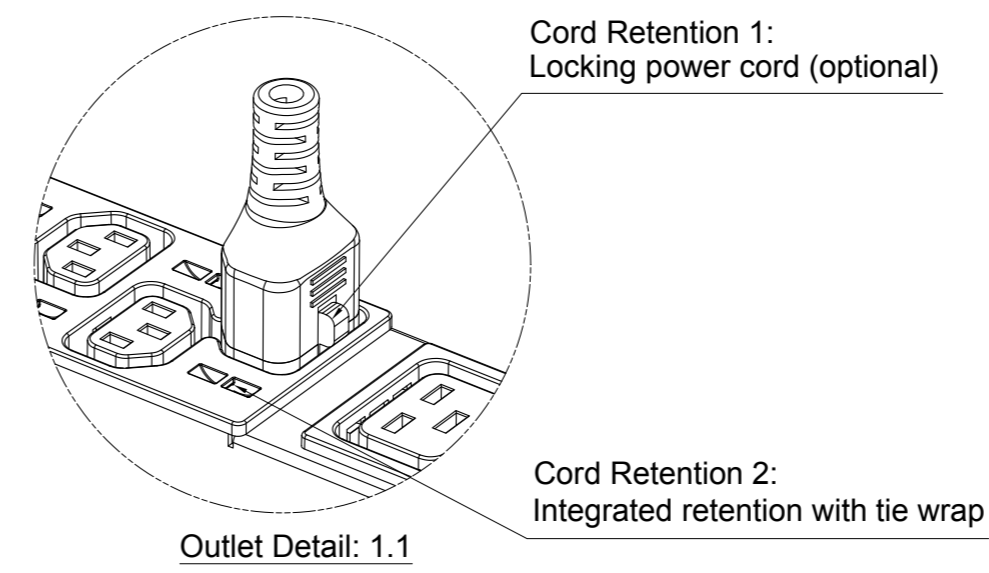
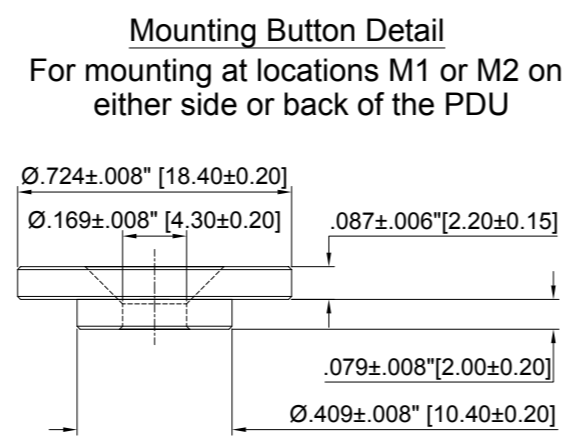
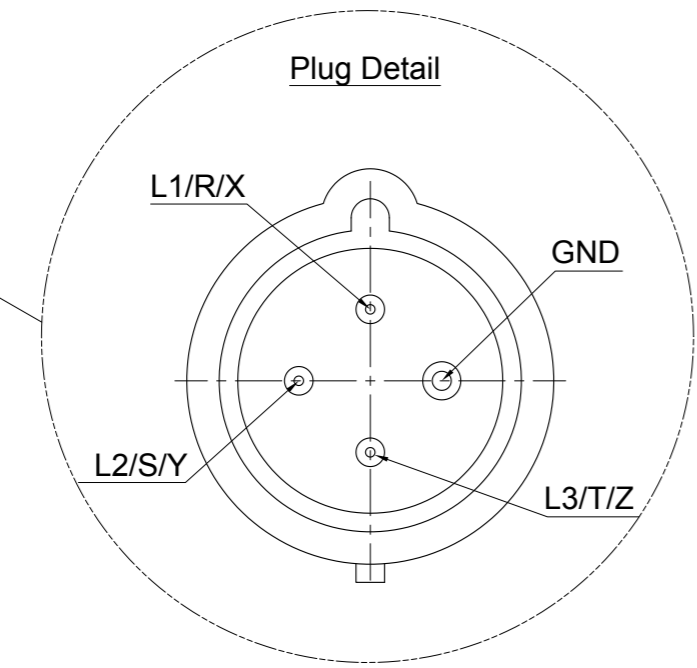
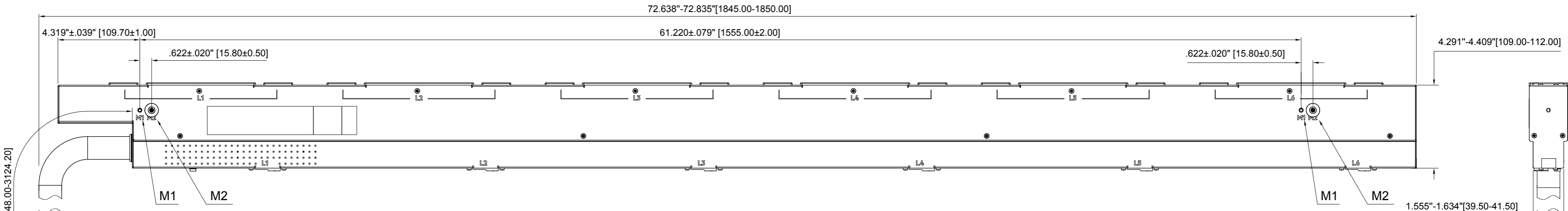


Wiring Scheme

PDU Classification	Basic
Part Number	P9Q61A
Specification Number	866817-B



Outlet Detail 1.1/1.2



Product Information

Input Ratings
 Nominal Voltage 208VAC, 3-Ph, 50/60Hz
 Input Plug IEC 60309 60A 4-wire
 Cord Type/Length Type W; 90°C;2000V;6AWG;4C/(10')
 Current Rating 48A (Derated)
 Power Rating (kVA) 17.293 kVA

Output Ratings
 Nominal Voltage 208VAC, 50/60Hz
 Current Rating 48A Max
 Max Current/Breaker 16A Max

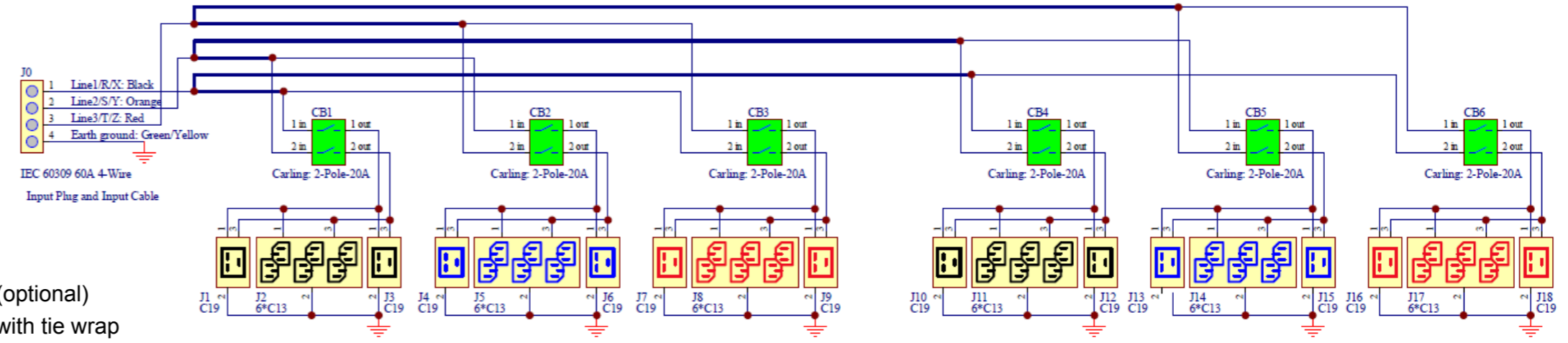
Outlet Configuration
 Total Outlets (36)C13, (12)C19
 Outlets / Load Segment (6)C13, (2)C19
 Branch Circuit Protection (6) 2-Pole 20A UL 489 Breaker

Features
 Cord Retention 1 Locking power cord (optional)
 Cord Retention 2 Integrated retention with tie wrap
 Mounting Option Vertical (OU) side mount only
 Mounting Hardware Included

Environmental Conditions
 Operating Temperature 50-140°F (10-60°C)
 Operating Rel Humidity 10-90%
 Operating Elevation 0-10000ft [0-3000m]

Regulatory Information
 UL or CSA, CB Test

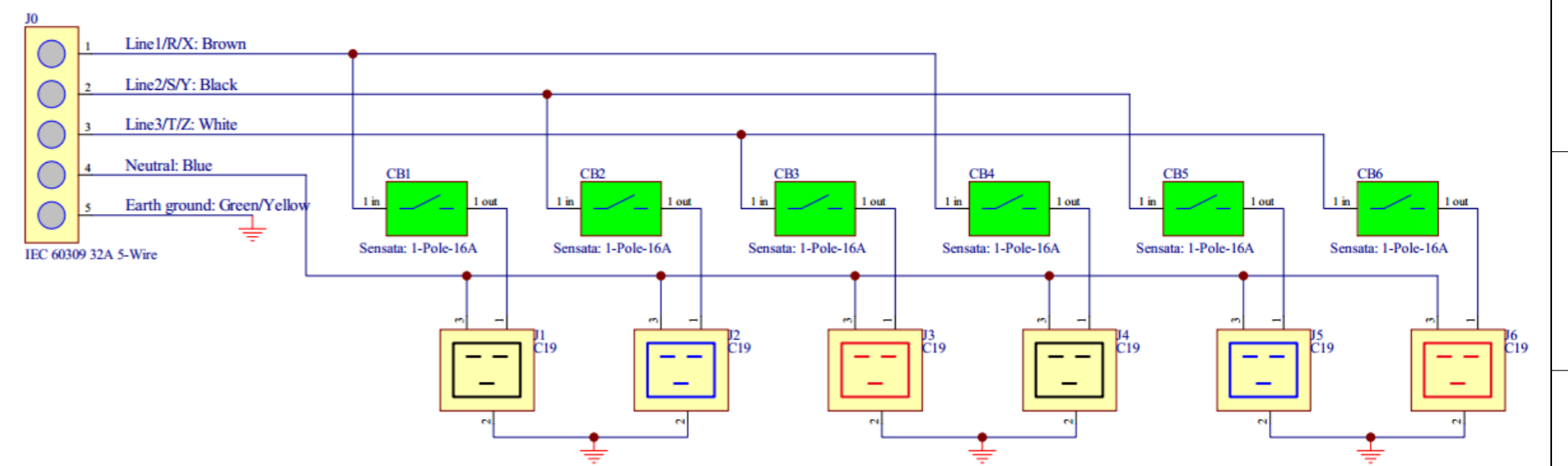
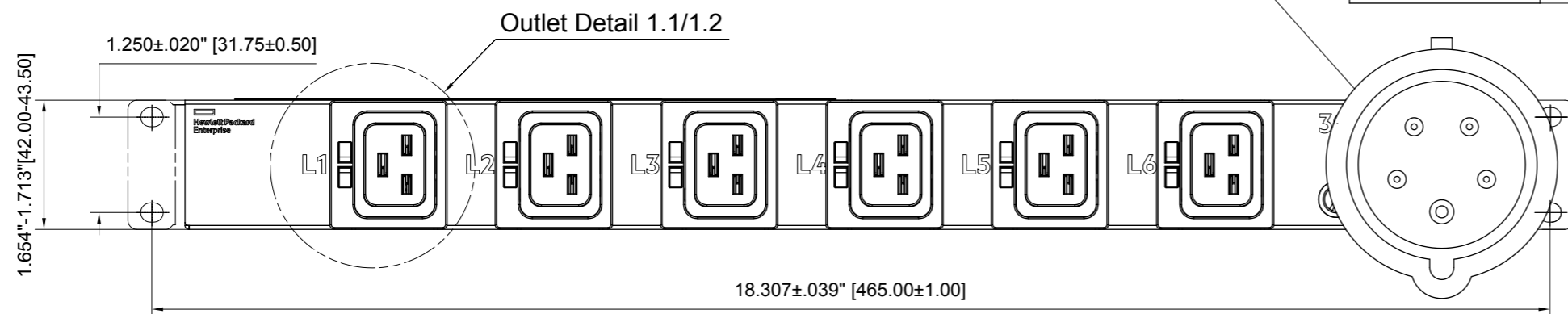
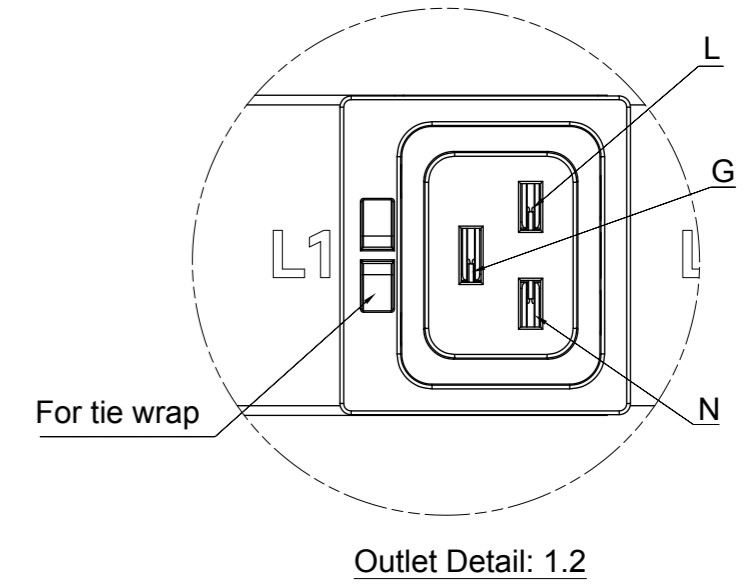
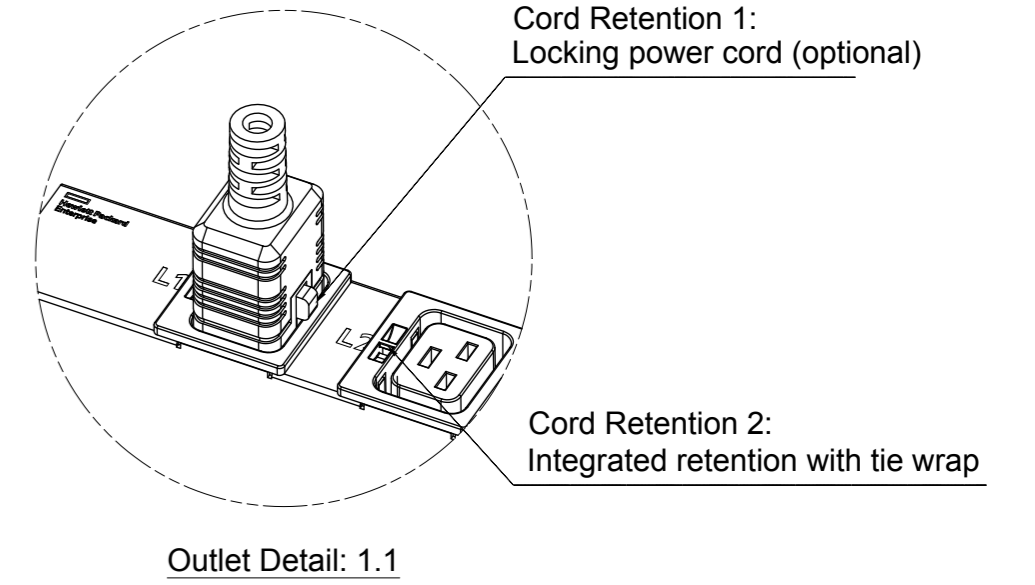
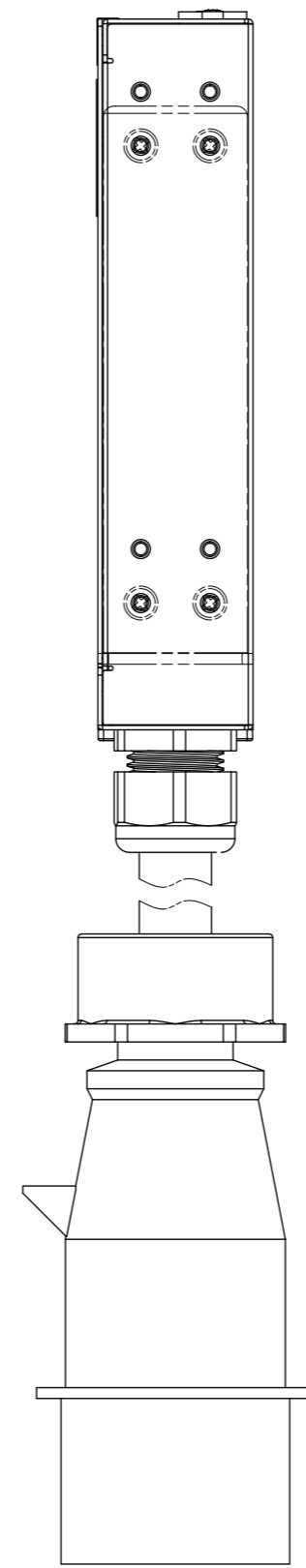
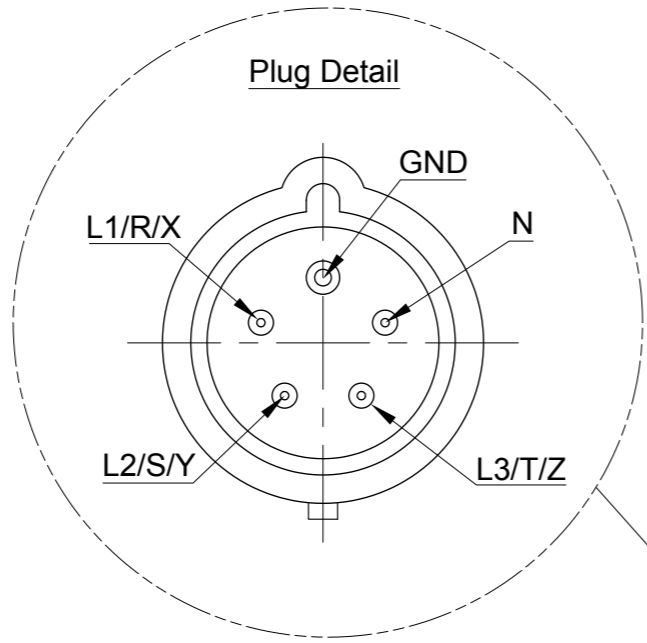
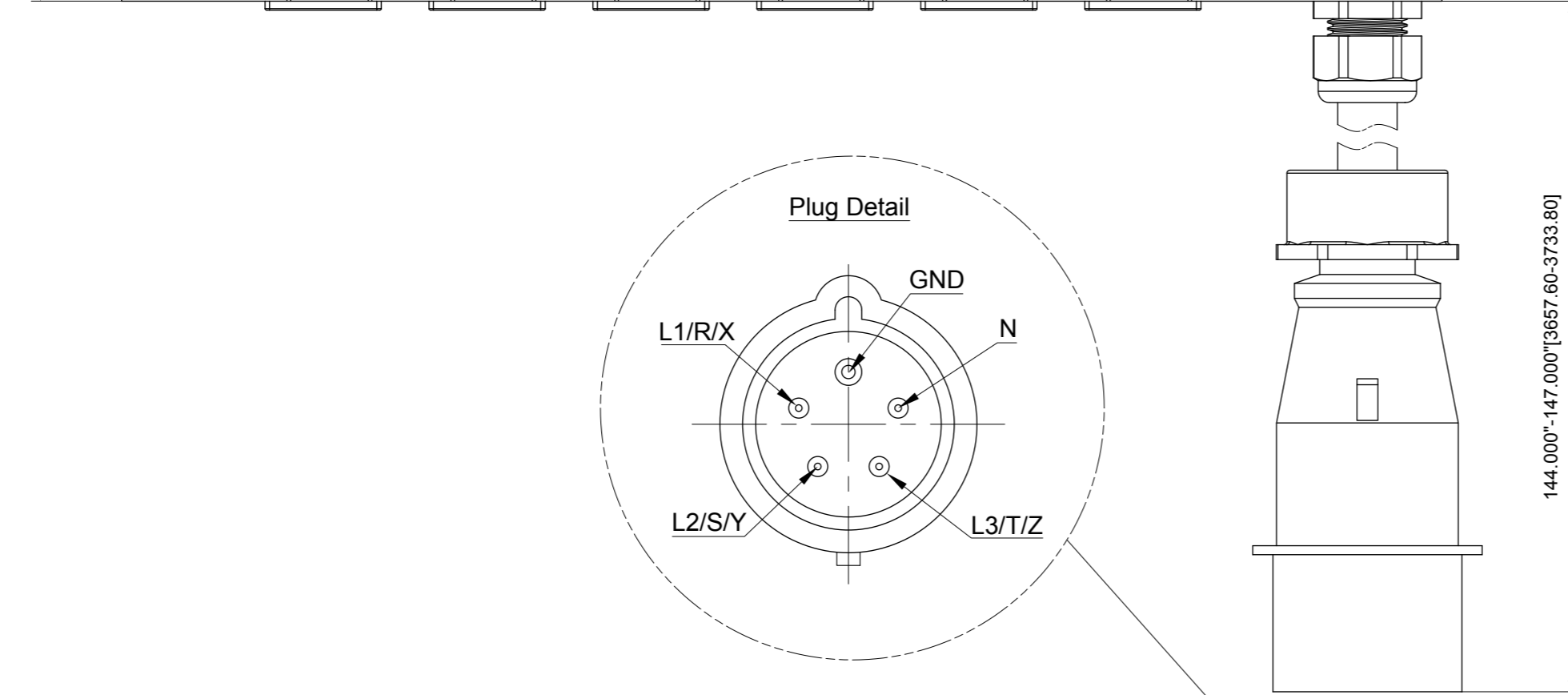
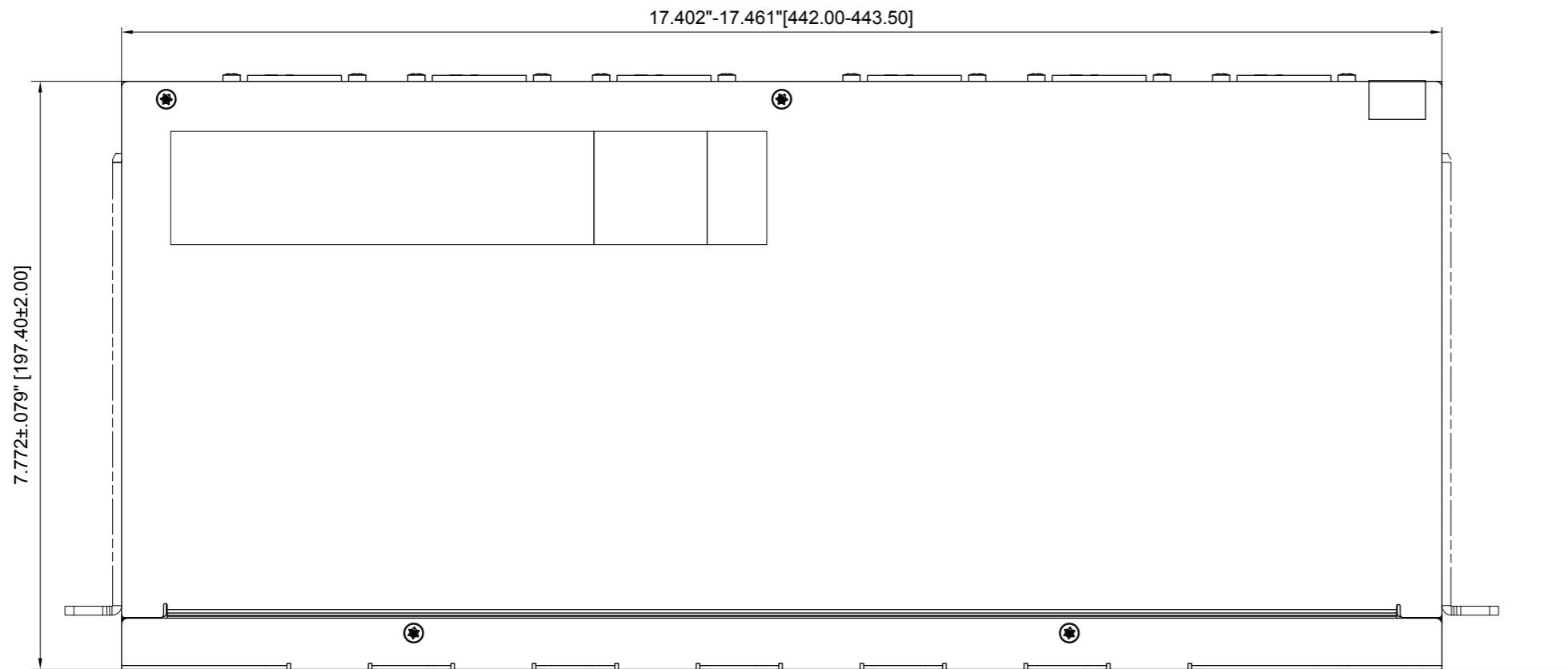
Unit Weight
 Weight (27.1lbs[12.3kg])



Wiring Scheme

PDU Classification	Basic
Part Number	P9Q62A
Specification Number	866817-B





Product Information

Input Ratings

Nominal Voltage	230VAC, 3-Ph, 50/60Hz
Input Plug	IEC 60309 32A 5-wire
Cord Type/Length	H07RNF5G4/(12')
Current Rating	32A
Power Rating (kVA)	22.08 kVA

Output Ratings

Nominal Voltage	230VAC, 50/60Hz
Current Rating	32A Max
Max Current/Breaker	16A Max

Outlet Configuration

Total Outlets	(6)C19
Outlets / Load Segment	(1)C19
Branch Circuit Protection	(6) 1-Pole 16A UL 489 Breaker

Features

Cord Retention 1	Locking power cord (optional)
Cord Retention 2	Integrated retention with tie wrap
Mounting Option	Between RETMA rail (0U), Horizontal (1U)
Mounting Hardware	Included

Environmental Conditions

Operating Temperature	50-140°F (10-60°C)
Operating Rel Humidity	10-90%
Operating Elevation	0-10000ft [0-3000m]

Regulatory Information

CE, D mark, EAC

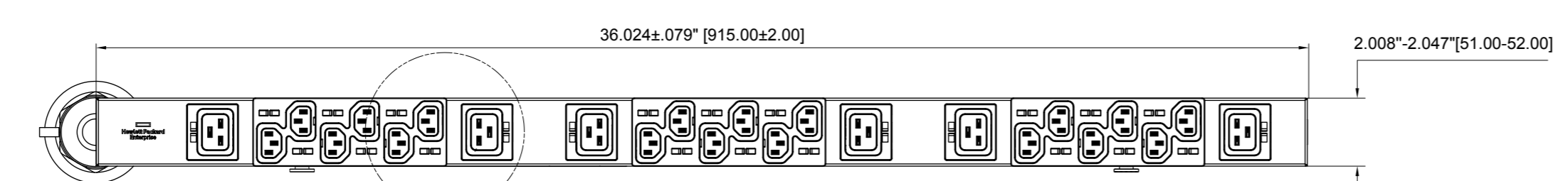
Unit Weight

Weight (10.6lbs[4.8kg])

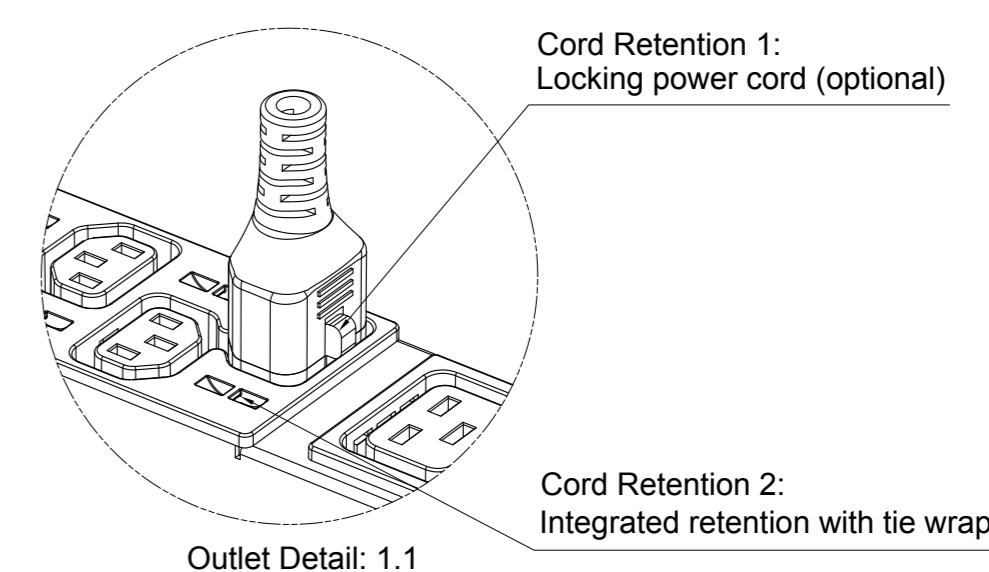
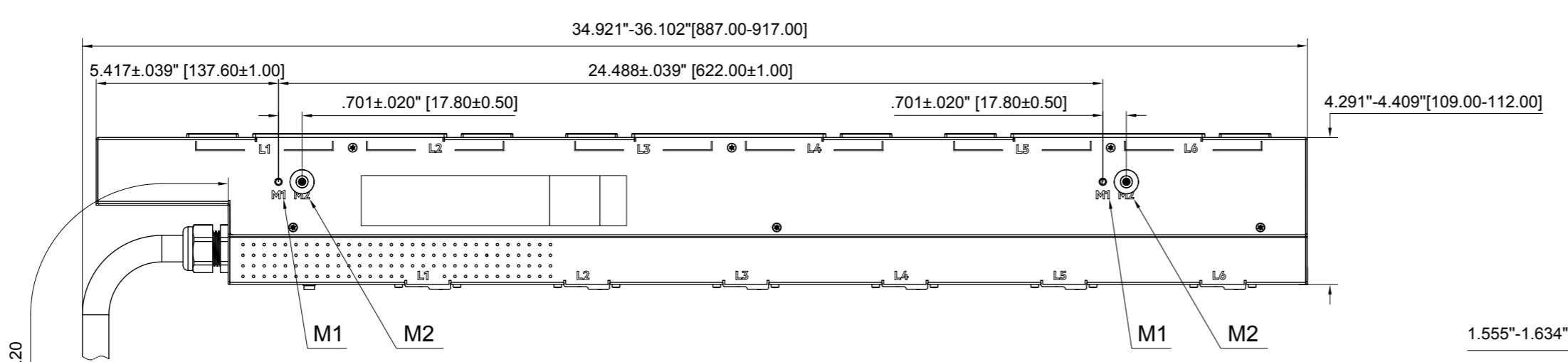
Wiring Scheme

PDU Classification	Basic
Part Number	P9Q63A
Specification Number	866817-B

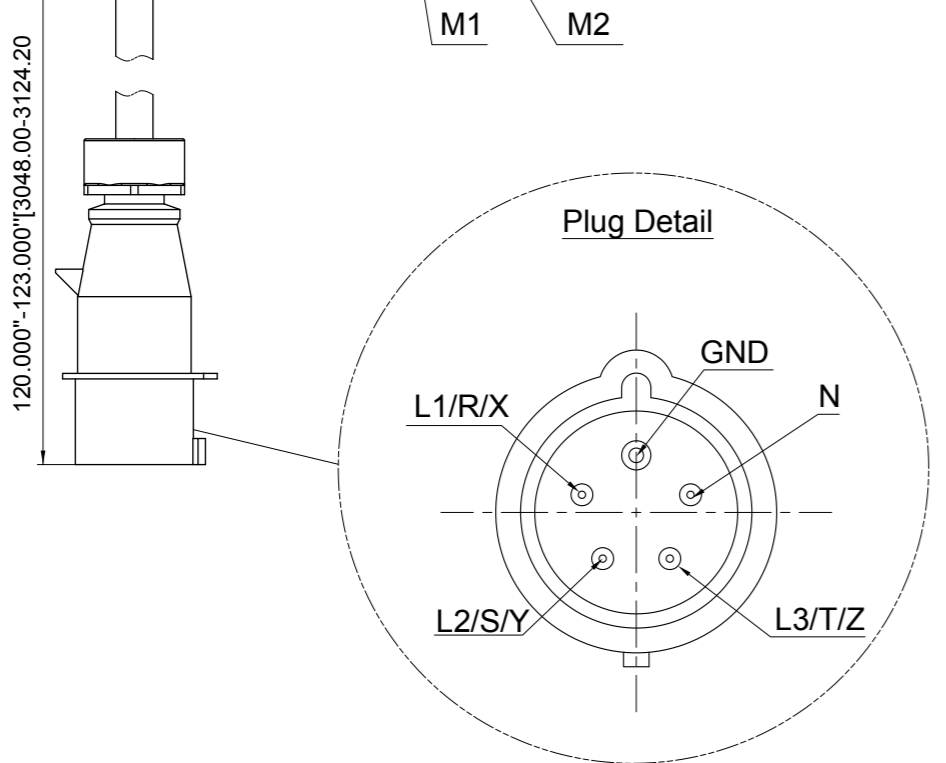




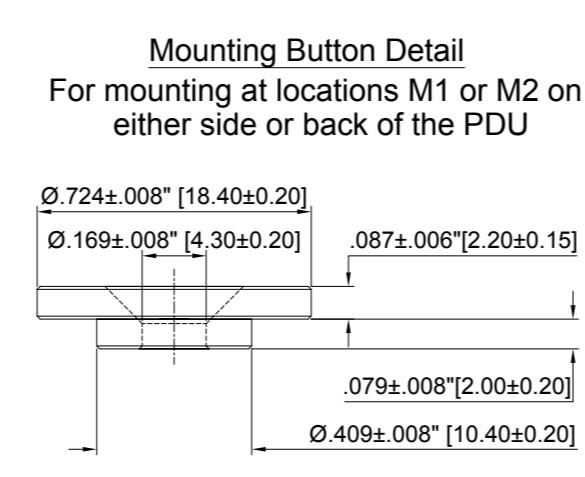
Outlet Detail 1.1/1.2



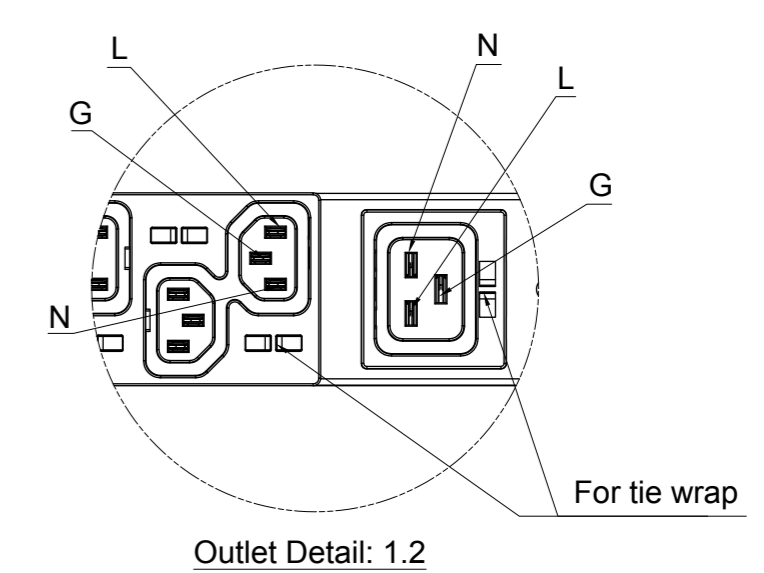
Outlet Detail: 1.1



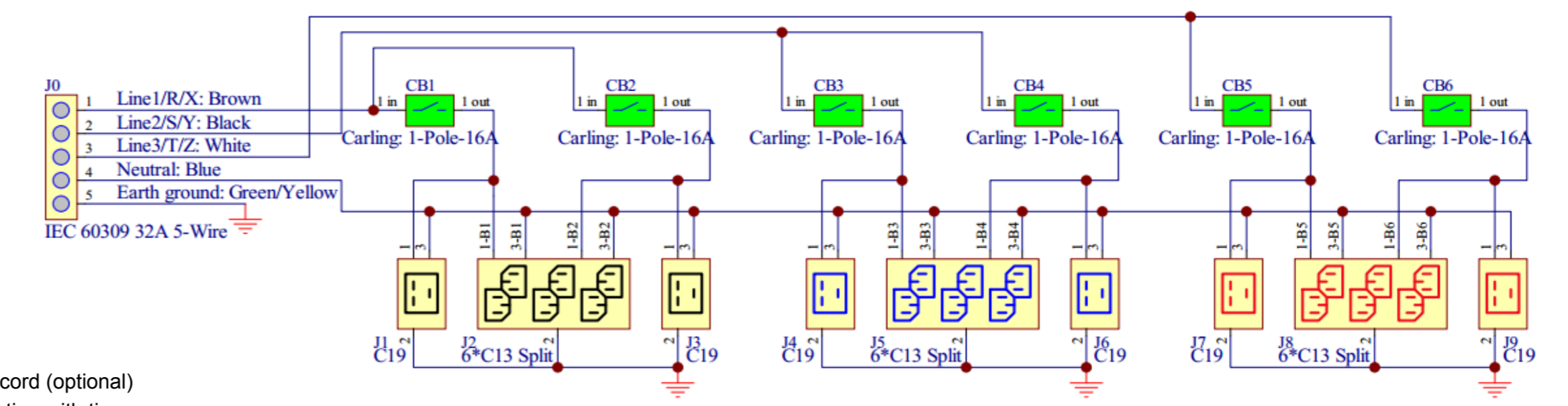
Plug Detail



Mounting Button Detail
For mounting at locations M1 or M2 on either side or back of the PDU



Outlet Detail: 1.2



Wiring Scheme

Product Information

Input Ratings	
Nominal Voltage	230VAC, 3-Ph, 50/60Hz
Input Plug	IEC 60309 32A 5-wire
Cord Type/Length	H07RNF5G4/(10')
Current Rating	32A
Power Rating (kVA)	22.08 kVA

Features	
Cord Retention 1	Locking power cord (optional)
Cord Retention 2	Integrated retention with tie wrap
Mounting Option	Vertical (0U) side mount only
Mounting Hardware	Included

Environmental Conditions	
Operating Temperature	50-140°F (10-60°C)
Operating Rel Humidity	10-90%
Operating Elevation	0-10000ft [0-3000m]

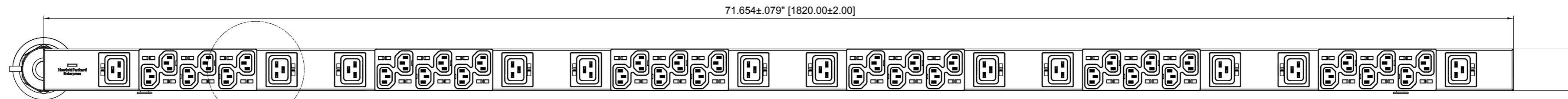
Regulatory Information	
CE, D mark, EAC	

Output Ratings	
Nominal Voltage	230VAC, 50/60Hz
Current Rating	32A Max
Max Current/Breaker	16A Max

Outlet Configuration	
Total Outlets	(18)C13, (6)C19
Outlets / Load Segment	(3)C13, (1)C19
Branch Circuit Protection	(6) 1-Pole 16A UL 489 Breaker

Unit Weight	
Weight (14.5lbs[6.6kg])	

PDU Classification	Basic
Part Number	P9Q64A
Specification Number	866817-B



Outlet Detail 1.1/1.2

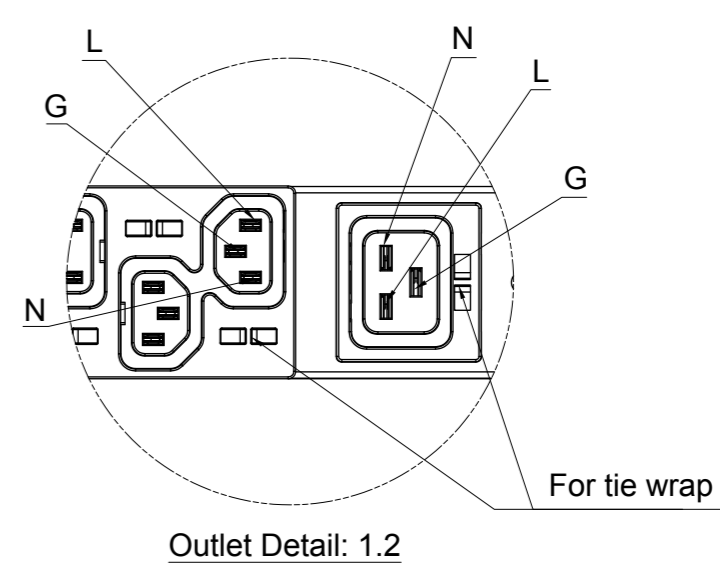
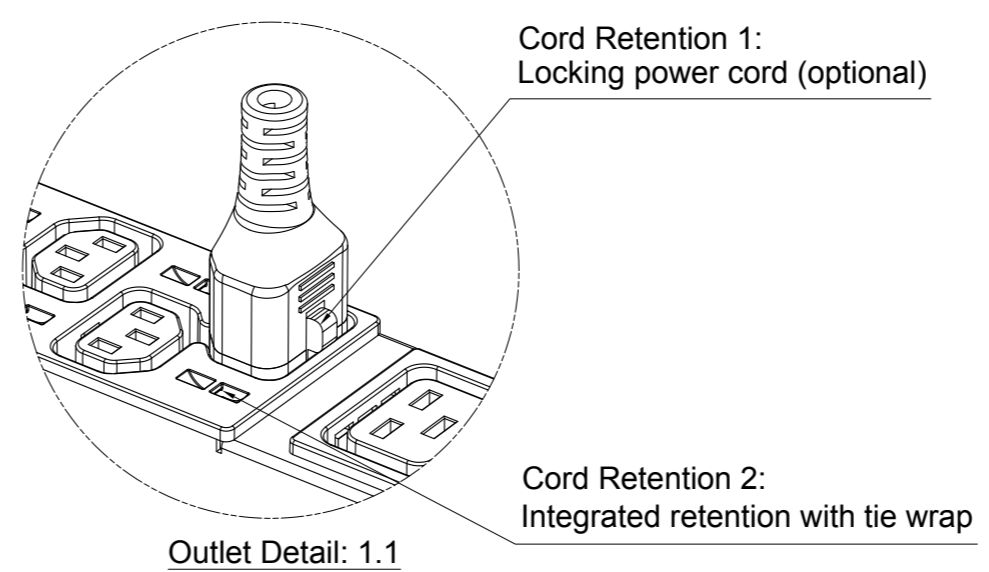
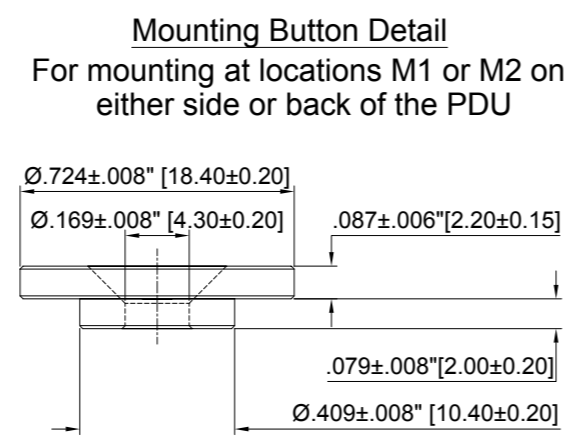
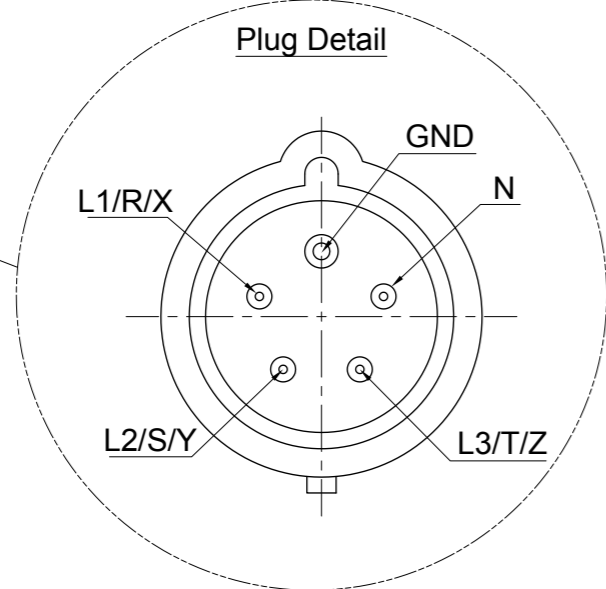


120.000\"/>

M1 M2

M1 M2

1.555\"/>



Product Information

Input Ratings

Nominal Voltage	230VAC, 3-Ph, 50/60Hz
Input Plug	IEC 60309 32A 5-wire
Cord Type/Length	H07RNF5G4/(10')
Current Rating	32A
Power Rating (kVA)	22.08 kVA

Output Ratings

Nominal Voltage	230VAC, 50/60Hz
Current Rating	32A Max
Max Current/Breaker	16A Max

Outlet Configuration

Total Outlets	(36)C13,(12)C19
Outlets / Load Segment	(6)C19,(2)C19
Branch Circuit Protection	(6) 1-Pole 16A UL 489 Breaker

Features

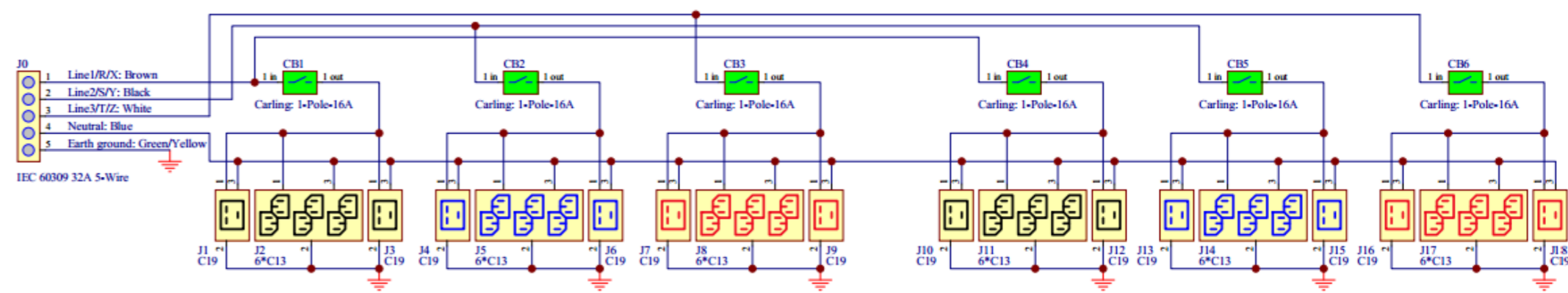
Cord Retention 1	Locking power cord (optional)
Cord Retention 2	Integrated retention with tie wrap
Mounting Option	Vertical (0U) side mount only
Mounting Hardware	Included

Environmental Conditions

Operating Temperature	50-140°F (10-60°C)
Operating Rel Humidity	10-90%
Operating Elevation	0-10000ft [0-3000m]

Regulatory Information
CE, D mark, EAC

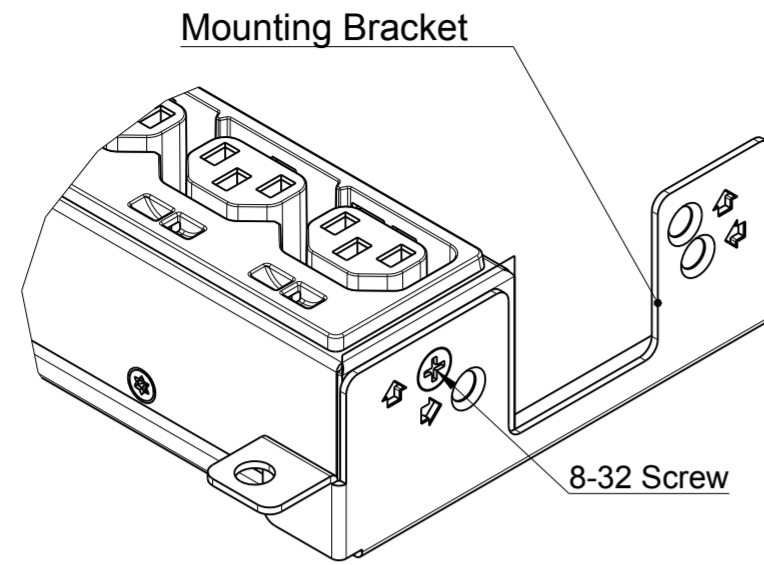
Unit Weight
Weight (20.2lbs[9.2kg])



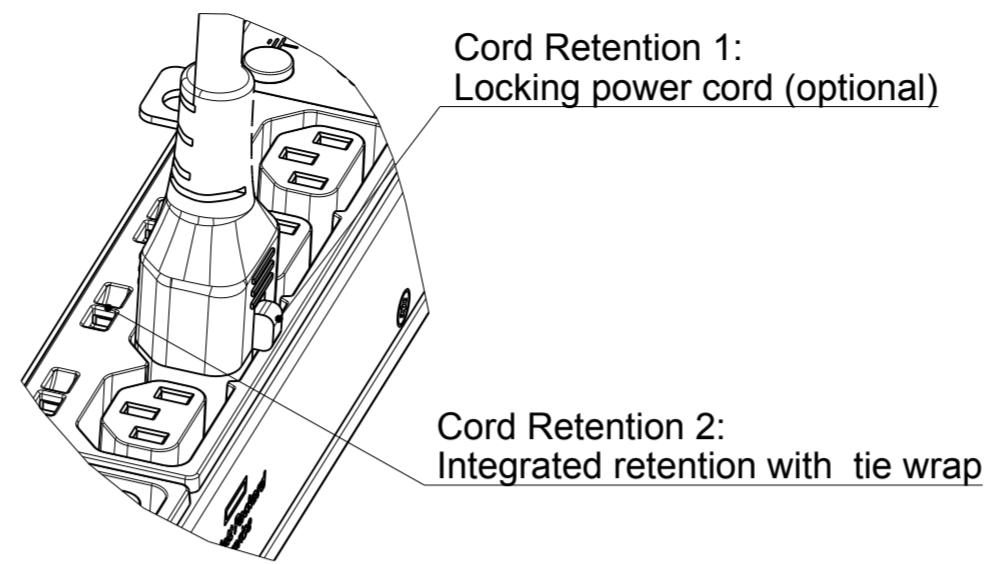
Wiring Scheme

PDU Classification	Basic
Part Number	P9Q65A
Specification Number	866817-B

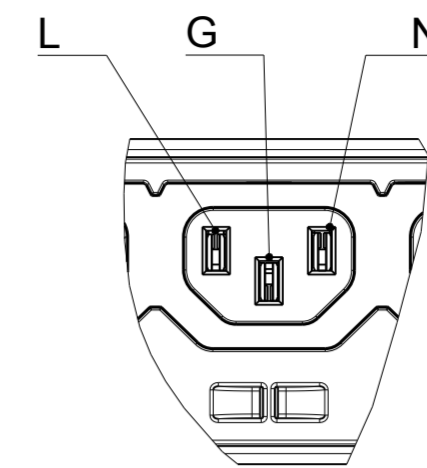




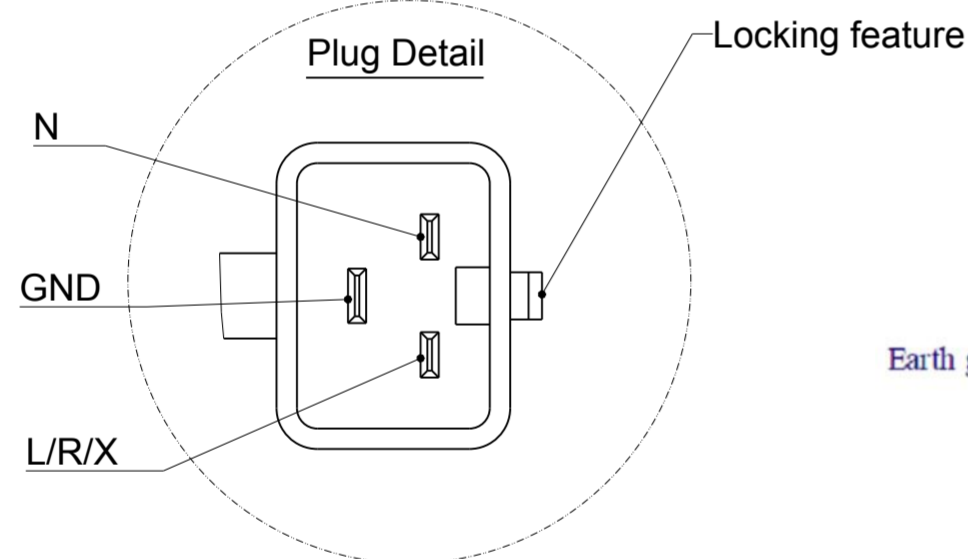
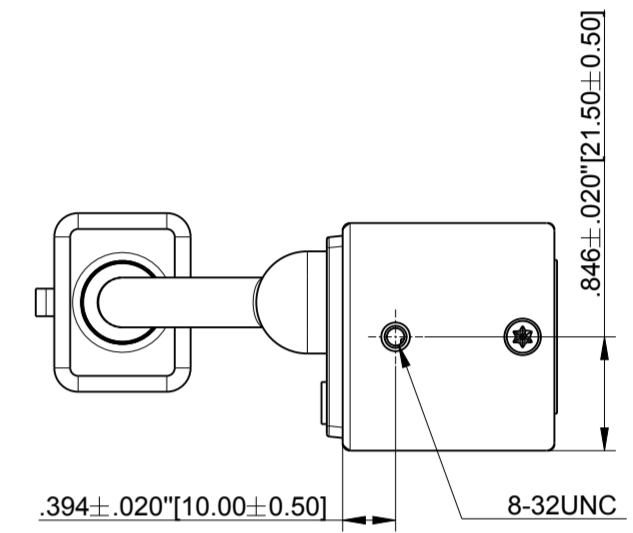
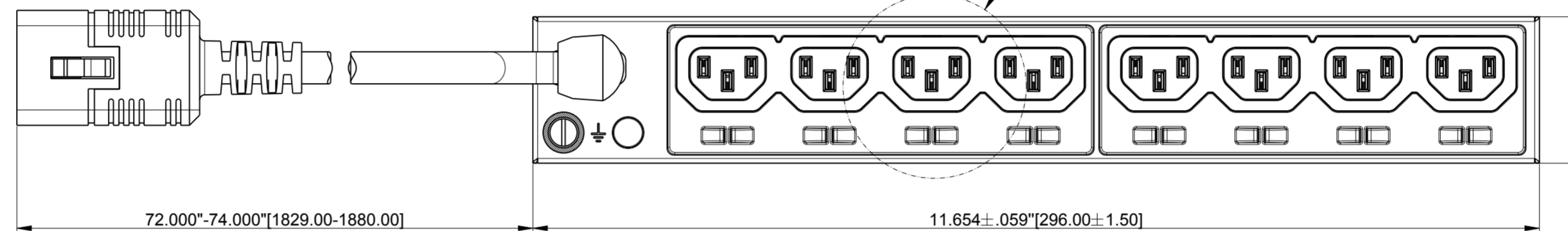
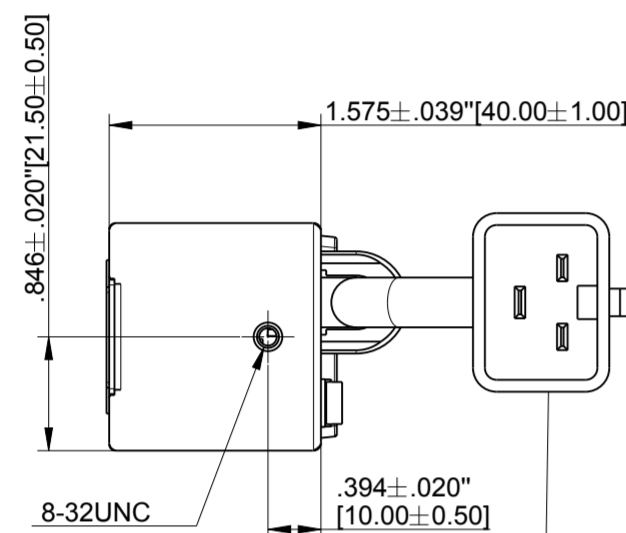
Mounting Detail



Outlet Detail 1.1



Outlet Detail 1.2



Wiring Scheme

Product Information

Input Ratings

Nominal Voltage	230VAC, 1-Ph, 50/60Hz
Input Plug	IEC C20 locking (over-molded)
Cord Type/Length	SJT 14AWGx3C/HO5VV-F 3G1.5mm; 90° C/(6')
Current Rating	16A (Derated)
Power Rating (kVA)	3.68 kVA

Output Ratings

Nominal Voltage	230VAC, 50/60Hz
Current Rating	16A Max

Outlet Configuration

Total Outlets	(8)C13
---------------	--------

Features

Cord Retention 1	Locking power cord (optional)
Cord Retention 2	Integrated retention with tie wrap
Mounting Option	Vertical (0U)
Mounting Hardware	Included

Environmental Conditions

Operating Temperature	50-140° F (10-60° C)
Operating Rel Humidity	10-90%
Operating Elevation	0-10000ft [0-3000m]

Regulatory Information

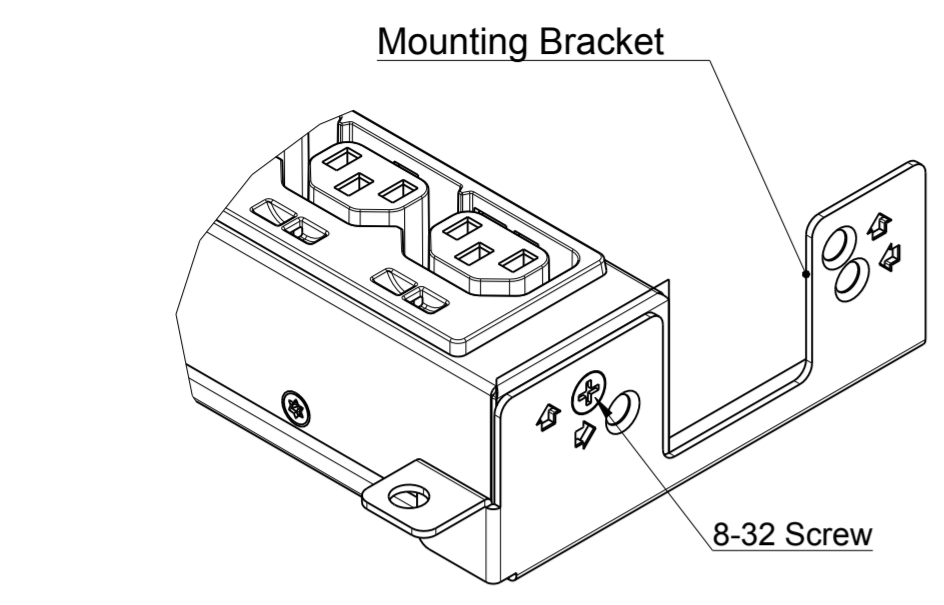
UL or CSA, CB test, CE, D mark, EAC

Unit Weight

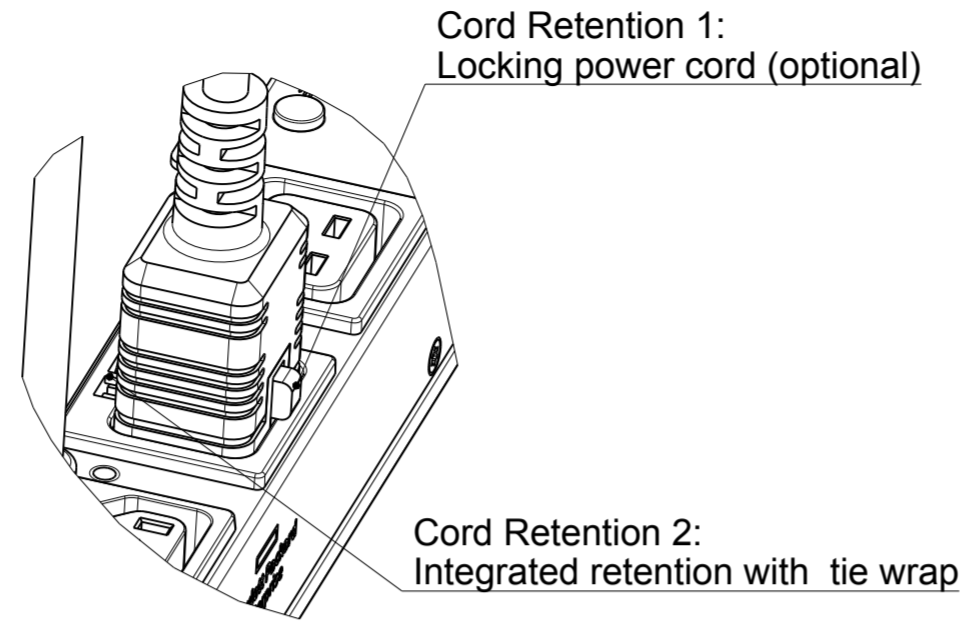
Weight (2.2lbs[1.0kg])

PDU Classification	Extension Bar
Part Number	P9Q66A
Specification Number	866817-B

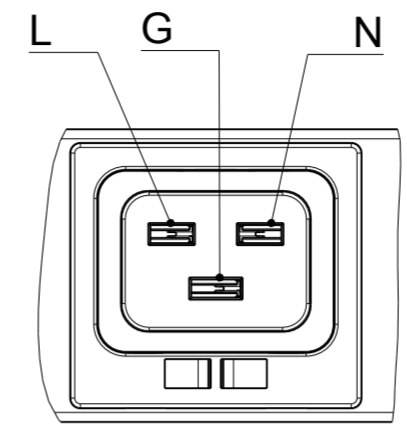




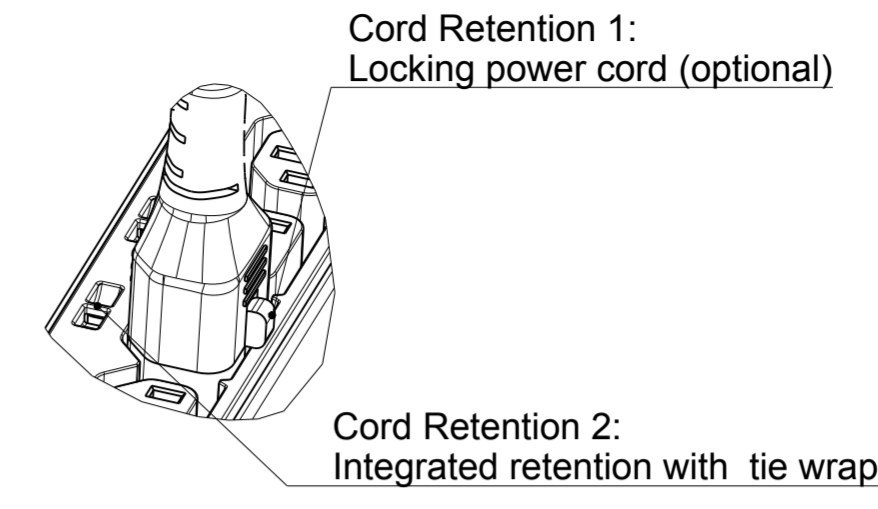
Mounting Detail



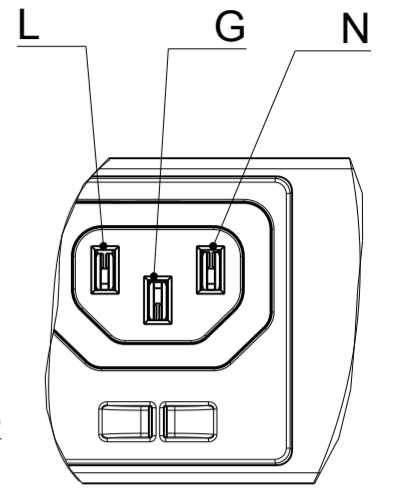
C19 Outlet Detail 1.1



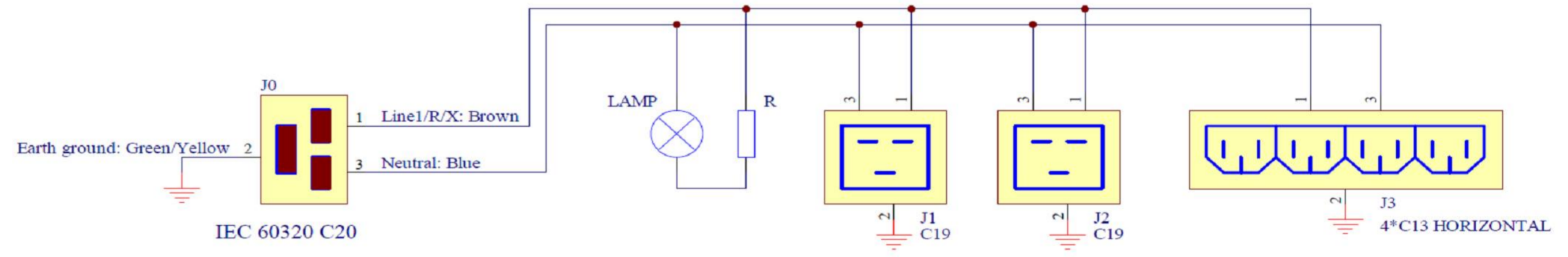
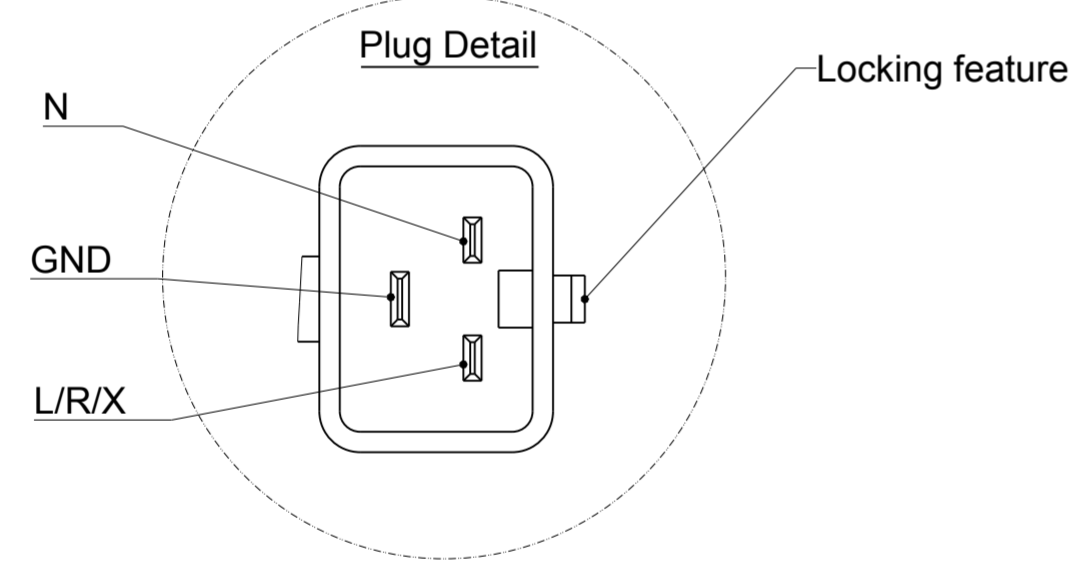
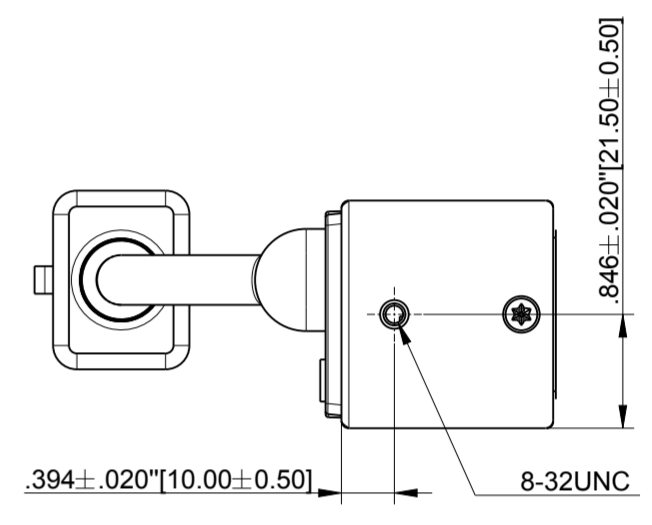
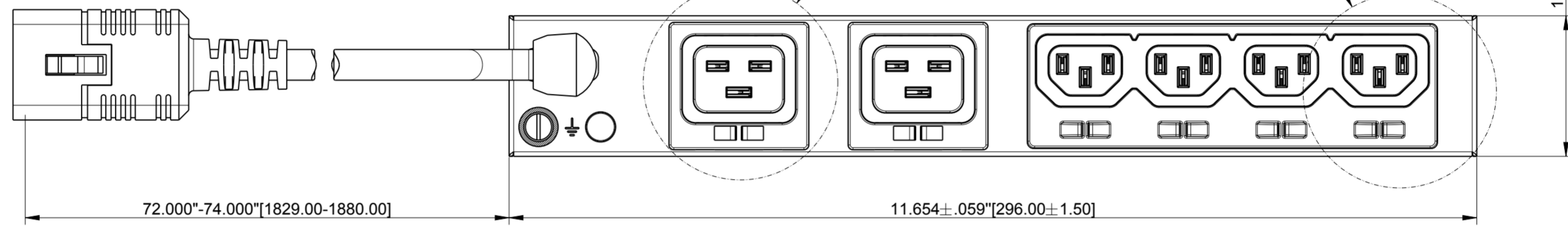
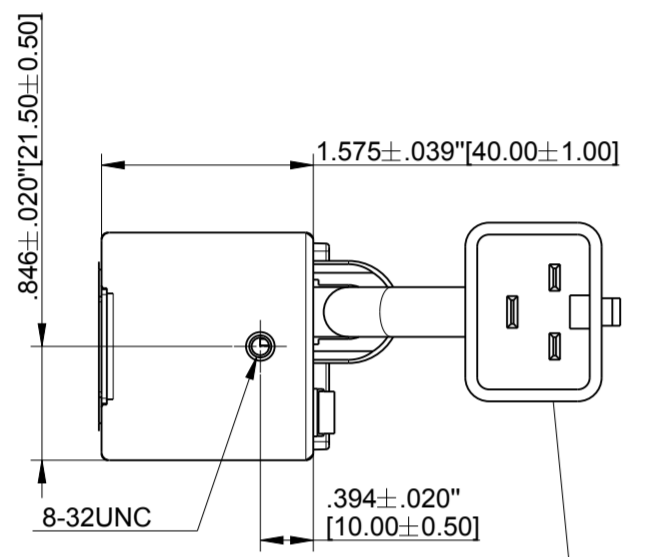
C19 Outlet Detail 1.2



C13 Outlet Detail 2.1



C13 Outlet Detail 2.2



Wiring Scheme

Product Information

Input Ratings

Nominal Voltage	230VAC, 1-Ph, 50/60Hz
Input Plug	IEC C20 locking (over-molded)
Cord Type/Length	SJT 14AWGx3C/HO5VV-F 3G1.5mm; 90° C/(6')
Current Rating	16A (Derated)
Power Rating (kVA)	3.68 kVA

Output Ratings

Nominal Voltage	230VAC, 50/60Hz
Current Rating	16A Max

Outlet Configuration

Total Outlets	(4)C13, (2)C19
---------------	----------------

Features

Cord Retention 1	Locking power cord (optional)
Cord Retention 2	Integrated retention with tie wrap
Mounting Option	Vertical (0U)
Mounting Hardware	Included

Environmental Conditions

Operating Temperature	50-140° F (10-60° C)
Operating Rel Humidity	10-90%
Operating Elevation	0-10000ft [0-3000m]

Regulatory Information

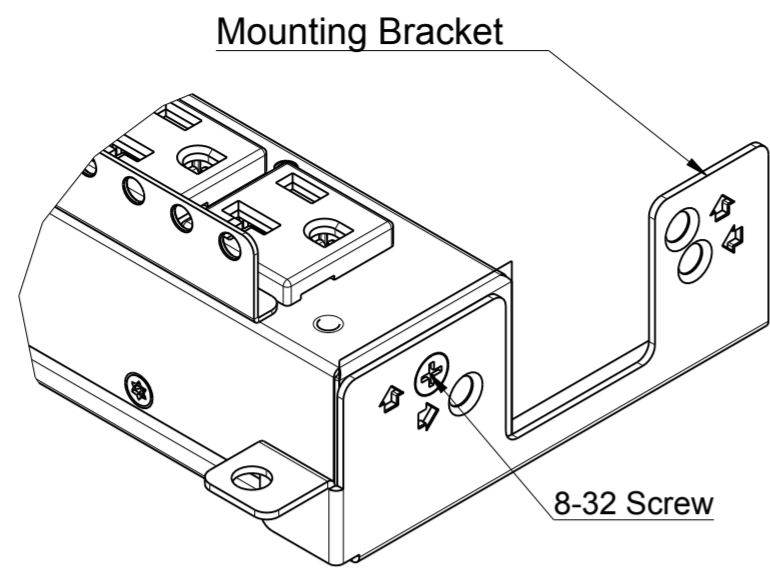
UL or CSA, CB test, CE, D mark, EAC

Unit Weight

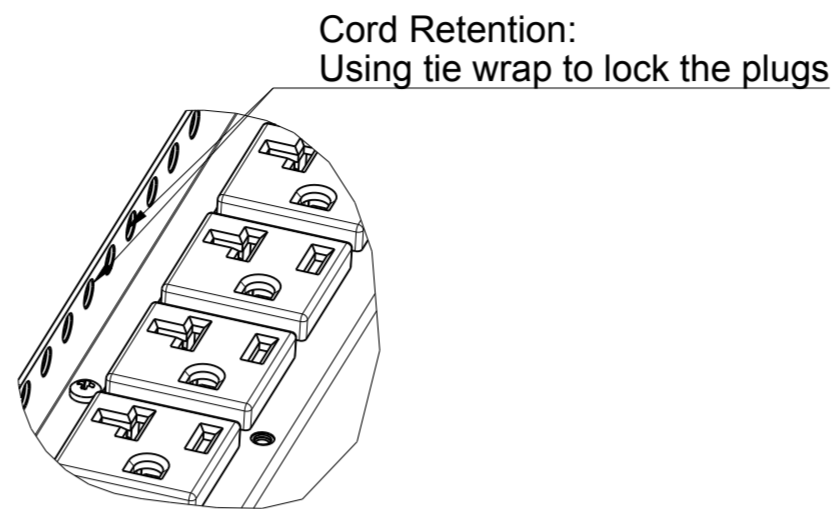
Weight (2.2lbs[1.0kg])

PDU Classification	Extension Bar
Part Number	P9Q67A
Specification Number	866817-B

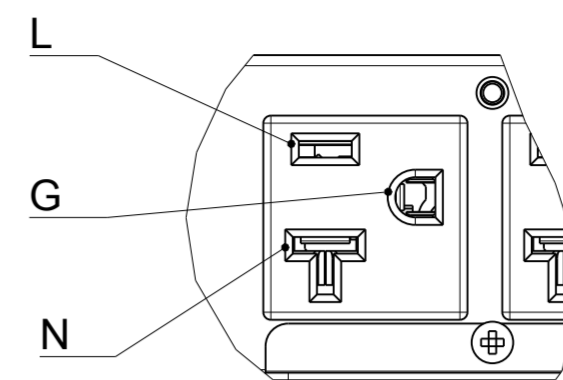




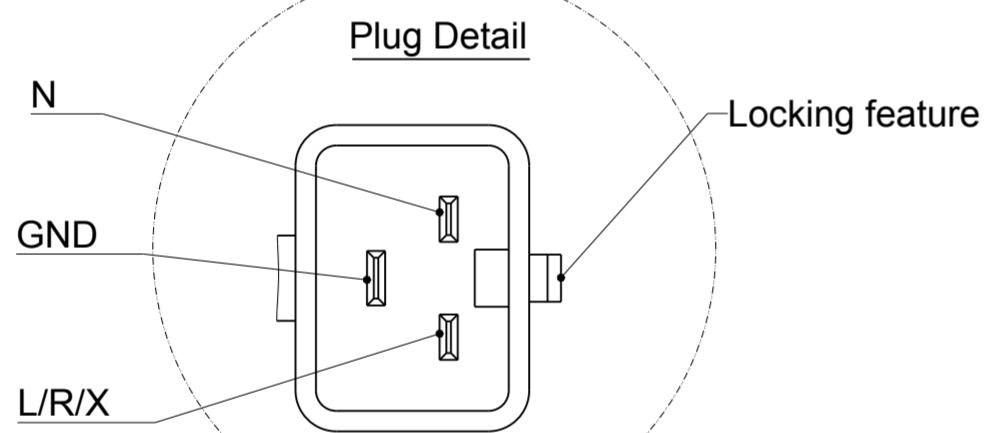
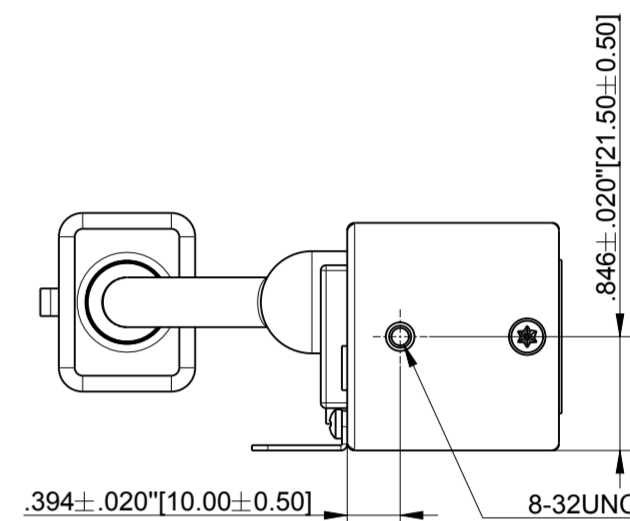
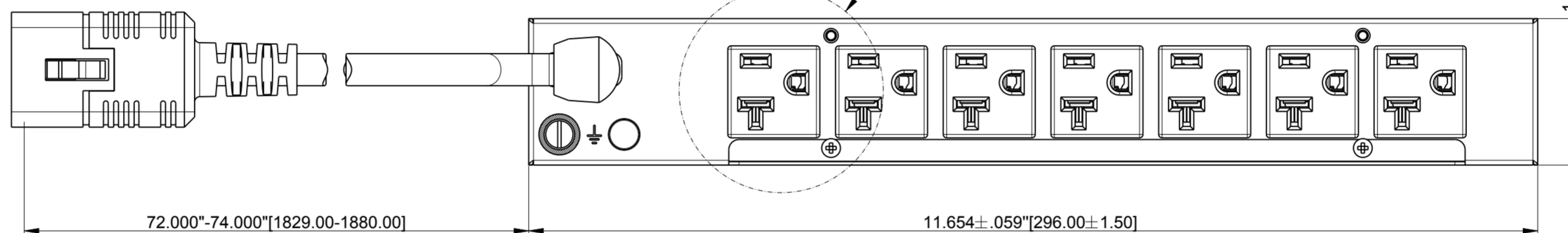
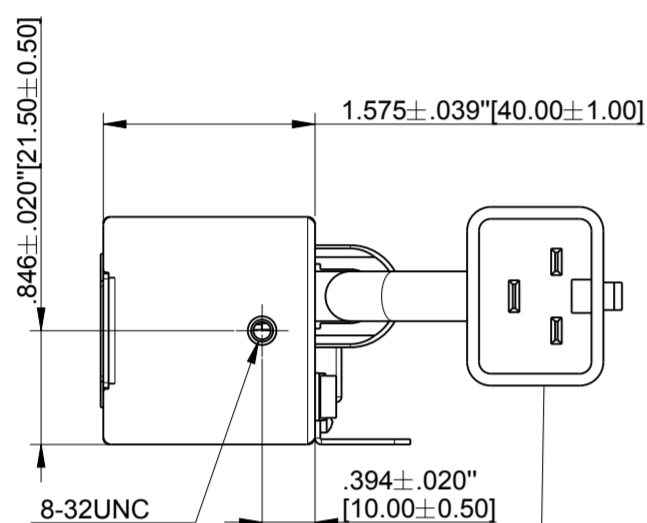
Mounting Detail



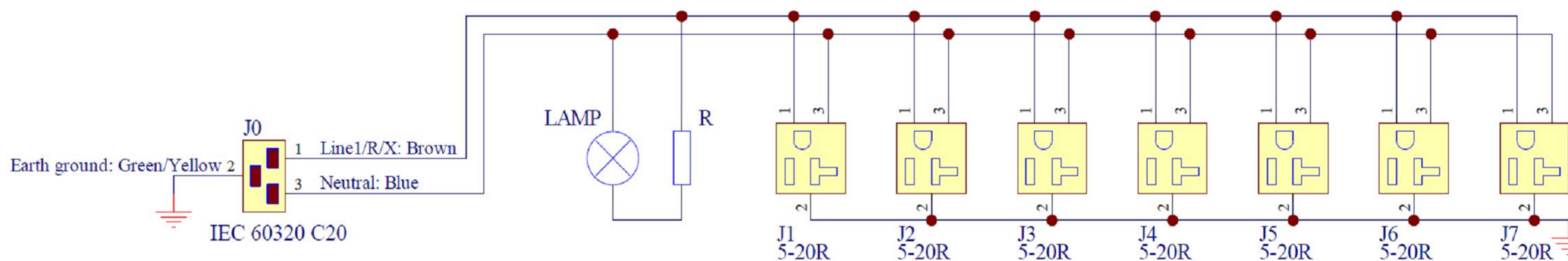
Outlet Detail 1.1



Outlet Detail 1.2



Plug Detail



Wiring Scheme

Product Information

Input Ratings

Nominal Voltage	120VAC, 1-Ph, 50/60Hz
Input Plug	IEC C20 locking (over-molded)
Cord Type/Length	SJT 14AWGx3C/HO5VV-F 3G1.5mm; 90° C/(6')
Current Rating	16A (Derated)
Power Rating (kVA)	1.92 kVA

Output Ratings

Nominal Voltage	120VAC, 50/60Hz
Current Rating	16A Max

Outlet Configuration

Total Outlets	(7)5-20R
---------------	----------

Features

Cord Retention	Using tie wrap to lock the plugs
Mounting Option	Vertical (0U)
Mounting Hardware	Included

Environmental Conditions

Operating Temperature	50-140° F (10-60° C)
Operating Rel Humidity	10-90%
Operating Elevation	0-10000ft [0-3000m]

Regulatory Information

UL or CSA, CB test, CE, D mark

Unit Weight

Weight (2.2lbs[1.0kg])

PDU Classification	Extension Bar
Part Number	P9Q68A
Specification Number	866817-B


Hewlett Packard
Enterprise

HPE tools will help you plan your data center and configure your server, networking and storage infrastructure like a pro.

HPE Rack and Power Infrastructure

hpe.com/info/rackandpower

Infrastructure Architect

hpe.com/info/infrastructurearchitect

Power Advisor

hpe.com/info/poweradvisor