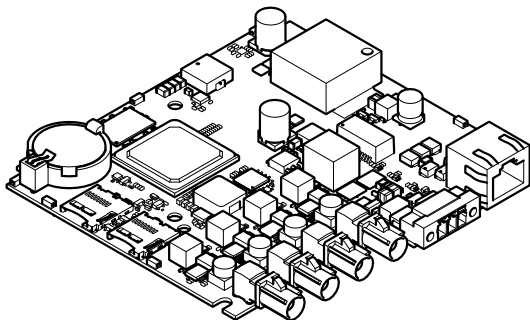


AXIS F9104-B Main Unit



Installation guide

Read this first

Read through this installation guide carefully before you install the product. Keep the installation guide for future reference.

Legal considerations

Video and audio surveillance can be regulated by laws that vary from country to country. Check the laws in your local region before using this product for surveillance purposes.

Audio surveillance can be regulated by laws that vary from country to country. Check the laws in your local region before using this product for surveillance purposes.

Video and audio surveillance can be regulated by laws that vary from country to country. Check the laws in your local region before using this product for surveillance purposes.

Video surveillance can be regulated by laws that vary from country to country. Check the laws in your local region before using this product for surveillance purposes.

Video, audio, and radar surveillance can be regulated by laws that vary from country to country. Check the laws in your local region before using this product for surveillance purposes.

Radar surveillance can be regulated by laws that vary from country to country. Check the laws in your local region before using this product for surveillance purposes.

This product includes the following licenses:

- one (1) AAC decoder license
- one (1) H.264 decoder license
- one (1) H.265 decoder license
- one (1) MPEG-4 Part 2 decoder license

To purchase further licenses, contact your reseller.

This product is subject to export control regulations, and you should always comply with all applicable national and international export or re-export control regulations.

Liability

Every care has been taken in the preparation of this document. Please inform your local Axis office of any inaccuracies or omissions. Axis Communications AB cannot be held responsible for any technical or typographical errors and reserves the right to make changes to the product and manuals without prior notice. Axis Communications AB makes no warranty of any kind with regard to the material contained within this document, including, but not limited to, the implied warranties of merchantability and fitness for a particular purpose. Axis Communications AB shall not be liable nor responsible for incidental or consequential damages in connection with the furnishing,

performance or use of this material. This product is only to be used for its intended purpose.

Intellectual property rights

Axis AB has intellectual property rights relating to technology embodied in the product described in this document. In particular, and without limitation, these intellectual property rights may include one or more of the patents listed at axis.com/patent and one or more additional patents or pending patent applications in the US and other countries.

This product contains licensed third-party software. See the third-party license information in the product's user interface for more information.

This product contains source code copyright Apple Computer, Inc., under the terms of Apple Public Source License 2.0 (see opensource.apple.com/apsl). The source code is available from developer.apple.com/bonjour/.

Trademark acknowledgements

AXIS COMMUNICATIONS, AXIS, ARTEPEC and VAPIX are registered trademarks of Axis AB in various jurisdictions. All other trademarks are the property of their respective owners.

Assa and Aperio are trademarks or registered trademarks of ASSA ABLOY AB.

SimonsVoss and SmartIntego are trademarks or registered trademarks belonging SimonsVoss Technologies GmbH.

HID, HID Global, the HID Blue Brick logo, HID Mobile Access, iCLASS SE, Seos, Prox, and Secure Identity Services are trademarks or registered trademarks of HID Global in the U.S. and/or other countries.

Apple, Apache, Bonjour, Ethernet, Internet Explorer, Linux, Microsoft, Mozilla, Real, SMPTE, QuickTime, UNIX, Windows, and WWW are registered trademarks of the respective holders. Java and all Java-based trademarks and logos are trademarks or registered trademarks of Oracle and/or its affiliates. The UPnP Word Mark and UPnP Logo are trademarks of Open Connectivity Foundation, Inc. in the United States or other countries.



SD, SDHC, and SDXC Logos are trademarks of SD-3C LLC. SD, SDHC and SDXC are trademarks or registered trademarks of SD-3C, LLC in the United States, other countries or both.



microSD, microSDHC, and microSDXC Logos are trademarks of SD-3C LLC. microSD, microSDHC,

microSDXC are trademarks or registered trademarks of SD-3C, LLC in the United States, other countries or both.

The terms HDMI and HDMI High-Definition Multimedia Interface, and the HDMI Logo are trademarks or registered trademarks of HDMI Licensing LLC in the United States and other countries.

WPA, WPA2 and Wi-Fi Protected Setup are marks of the Wi-Fi Alliance.

Z-Wave and Z-Wave Plus are registered trademarks of the Z-Wave Alliance in the United States and other countries.

Microsoft, Windows, the Windows logo, Microsoft Edge, Internet Explorer, DirectX, BitLocker, Intel, Intel Core, Celeron, Pentium, Xeon, Dell, Dell EMC, PowerEdge, Optiplex, NVIDIA, NVIDIA Quadro, DisplayPort, and Bonjour are registered trademarks of the respective holders.

Apache, Ethernet, Linux, MySQL, Red Hat, Ubuntu, UNIX, WWW are registered trademarks of the respective holders.

Network Time Protocol Version 4 Distribution is copyright of University of Delaware – © University of Delaware 1992–2011. The following copyright notice applies to all files collectively called the Network Time Protocol Version 4 Distribution. Unless specifically declared otherwise in an individual file, this notice applies as if the text was explicitly included in the file. Permission to use, copy, modify, and distribute this software and its documentation for any purpose with or without fee is hereby granted, provided that the above copyright notice appears in all copies and that both the copyright notice and this permission notice appear in supporting documentation, and that the name University of Delaware not be used in advertising or pertaining to distribution of the software without specific, written prior permission. The University of Delaware makes no representations about the suitability this software for any purpose. It is provided "as is" without express or implied warranty.

Disposal and recycling

When this product has reached the end of its useful life, dispose of it according to local laws and regulations. For information about your nearest designated collection point, contact your local authority responsible for waste disposal. In accordance with local legislation, penalties may be applicable for incorrect disposal of this waste.

Contact information

Axis Communications AB
Gränden 1

223 69 Lund
Sweden

Tel: +46 46 272 18 00

Fax: +46 46 13 61 30

axis.com

Warranty information

For information about Axis' product warranty and thereto related information, go to axis.com/warranty.

Support

Should you require any technical assistance, please contact your Axis reseller. If your questions cannot be answered immediately, your reseller will forward your queries through the appropriate channels to ensure a rapid response. If you are connected to the Internet, you can:

- download user documentation and software updates
- find answers to resolved problems in the FAQ database, search by product, category, or phrase
- report problems to Axis support staff by logging in to your private support area
- chat with Axis support staff
- visit Axis Support at axis.com/support

Should you require any technical assistance, please contact appropriate channels according to your AVHS license agreement to ensure a rapid response.

Should you require any technical assistance, please contact ADP Helpdesk to ensure a rapid response.

Learn more!

Visit Axis learning center axis.com/learning for useful trainings, webinars, tutorials and guides.

EN IMPORTANT INFORMATION

This product must be integrated into a final product or solution and is not intended for stand-alone use. Consequently, this product must be properly integrated into a suitable casing before it is made available to the end user. The entity or person who integrates this product into a final product or solution is also responsible for ensuring that the final product fulfills safety, EMC and other regulatory standards required by law and that the final product is certified accordingly.

FR INFORMATIONS IMPORTANTES

Ce produit doit être intégré dans un produit ou une solution final(e) et n'est pas destiné à une utilisation autonome. Par conséquent, ce produit doit être correctement intégré dans un boîtier approprié avant de le mettre à la disposition de l'utilisateur final. L'entité ou la personne qui intègre ce produit dans un produit ou une solution final(e) a également la responsabilité de s'assurer que le produit final respecte les normes relatives à la sécurité, aux CEM et d'autres normes réglementaires exigées par la loi et que le produit final est certifié en conséquence.

DE WICHTIGE INFORMATIONEN

Dieses Produkt muss in ein Endprodukt bzw. eine übergeordnete Lösung integriert werden. Es ist nicht als eigenständiges Produkt vorgesehen und muss daher sachgerecht in ein geeignetes Gehäuse eingebaut werden, bevor das Produkt dem Endkunden zur Verfügung gestellt wird. Die juristische oder natürliche Person, die die Integration des Produkts in ein Endprodukt bzw. eine übergeordnete Lösung vornimmt, muss außerdem sicherstellen, dass das Endprodukt die geltenden Richtlinien bezüglich Sicherheit und elektromagnetischer Verträglichkeit sowie weitere gesetzliche Vorschriften erfüllt, und dafür sorgen, dass das Endprodukt die entsprechenden Zertifizierungen erhält.

IT INFORMAZIONI IMPORTANTI

Questo dispositivo deve essere integrato in un dispositivo o una soluzione finale e non è disponibile per l'uso autonomo. Di conseguenza, questo dispositivo deve essere correttamente integrato in un alloggiamento adatto prima di essere reso disponibile per l'utente finale. L'entità o la persona che integra questo dispositivo in un dispositivo o una soluzione finale è inoltre responsabile di garantire che il dispositivo finale soddisfi standard di sicurezza, EMC e altri standard normativi richiesti dalla legge e che il dispositivo finale sia pertanto certificato.

ES

INFORMACIÓN IMPORTANTE

Este producto debe integrarse en un producto o solución final y no ha sido diseñado para ser utilizado de forma independiente. Por lo tanto, este producto debe integrarse debidamente en la carcasa adecuada antes de ponerlo a disposición del usuario final. La entidad o persona encargada de integrar este producto en un producto o solución final también será responsable de asegurarse de que el producto final cumple las normas de seguridad, EMC y otras normativas que la ley exija y que el producto final cuenta con las certificaciones pertinentes.

JA

重要情報

この製品は、最終製品またはソリューションに統合されている必要があり、単独での使用を目的としたものではありません。したがって、エンドユーザーに提供する前に、この製品は適切なケーシングに適切に統合されている必要があります。本製品を最終製品またはソリューションへ統合する事業者または個人は、また、最終製品が法律で要求される、安全性、EMCその他の規制基準を満たしていること、および最終製品がそれに応じて認証されていることを確認する責任も負います。

PT

INFORMAÇÕES IMPORTANTES

Este produto deve ser integrado a um produto ou solução final e não se destina ao uso autônomo. Consequentemente, o produto

deve ser adequadamente integrado a uma caixa apropriada antes de ser disponibilizado para o usuário final. A entidade ou pessoa que integrar esse produto a um produto ou solução final também será responsável por garantir que o produto final atenda aos padrões de segurança, EMC e outros padrões regulatórios exigidos por lei e que o produto final seja certificado de acordo.

RU ВАЖНАЯ ИНФОРМАЦИЯ

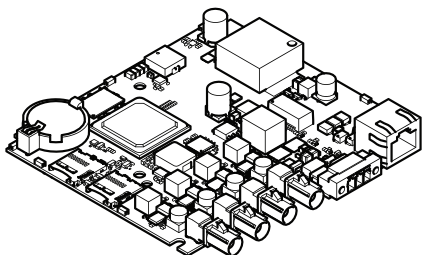
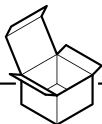
Настоящий продукт следует интегрировать с финальным продуктом или решением и он не предназначен для автономного использования. Таким образом, этот продукт следует надлежащим образом устанавливать в подходящей корпус перед его предоставлением конечному пользователю. Организация или лицо, занимающееся интеграцией этого продукта в финальный продукт или решение, также несет ответственность за то, что финальный продукт будет отвечать требованиям к безопасности, ЭМС и другим нормативным стандартам, установленным законом, в том числе за сертификацию продукта соответствующим образом.

ZH 重要信息

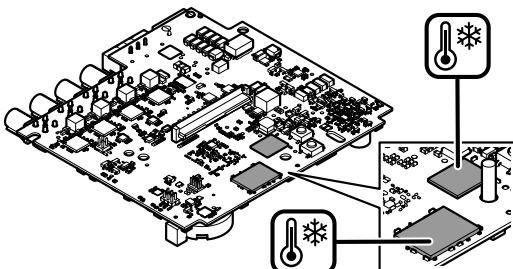
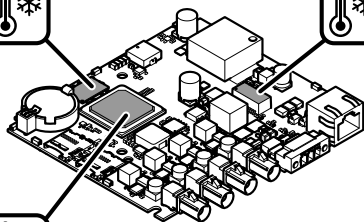
本产品必须集成到成品或解决方案中而不是单独使用。因此，本产品必须正确地集成到合适的外壳中然后才能提供给最终用户。将本产品集成到成品或解决方案的实体或个人也要负责确保成品符合安全、EMC和法律要求的其他管制标准并对成品相应的认证负责。

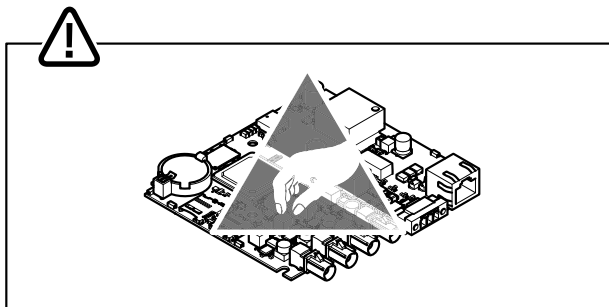
KO 중요 정보

본 제품은 완제품이나 최종 솔루션에 통합되어야 하며 독립형 용도로는 사용되지 않습니다. 따라서 본 제품이 최종 사용자에게 제공되기 전에 적합한 케이스에 적절히 통합되어야 합니다. 또한 본 제품을 완제품이나 최종 솔루션에 통합하는 기업 또는 사람은 해당 완제품이 법적으로 요구되는 안전, EMC 및 기타 규제 표준을 충족하고 그에 따라 완제품이 인증되도록 보장할 책임이 있습니다.

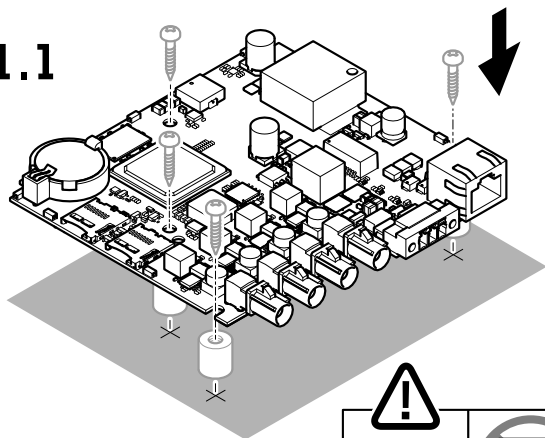


1x

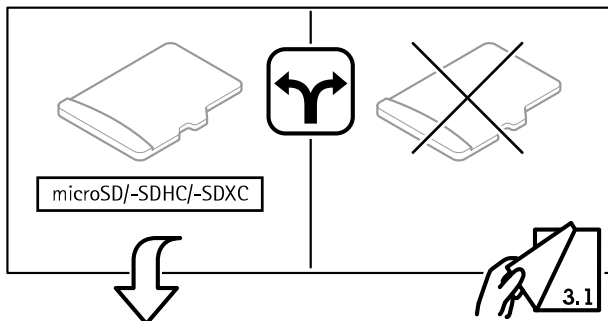




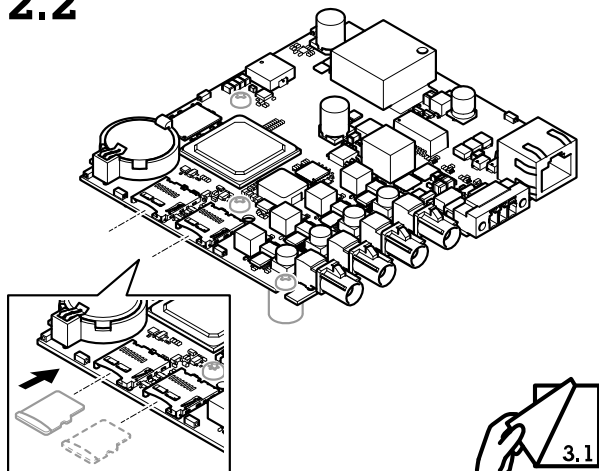
1.1



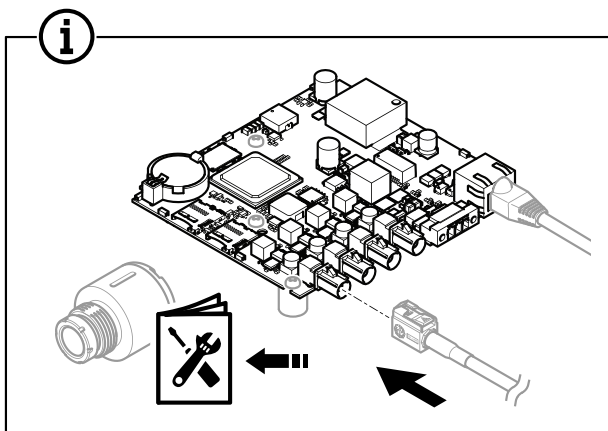
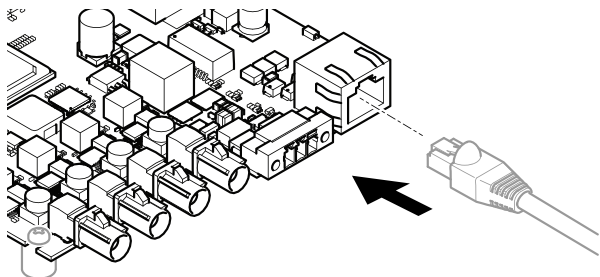
2.1



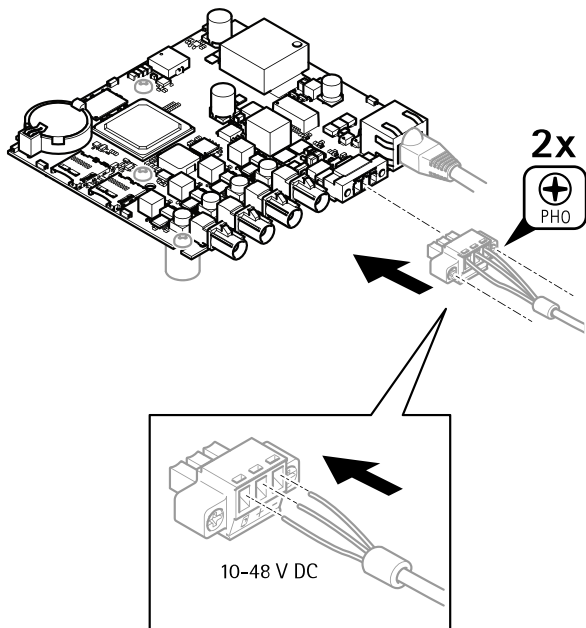
2.2



3.1



3.2



Installation guide

AXIS F9104-B Main Unit

© 2021 - 2023 Axis Communications AB

Ver. M2.2

Date: February 2023

Part no. 2298530