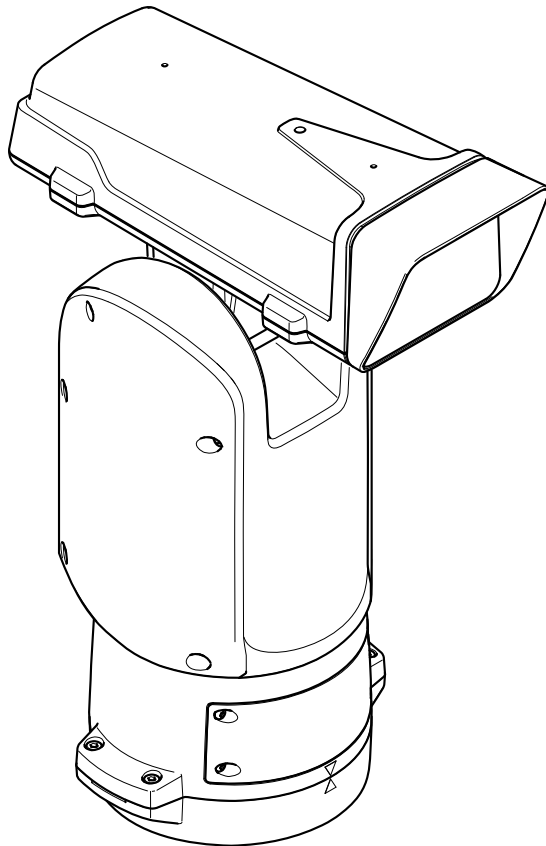


AXIS T99A10 Positioning Unit 24 V AC/DC



Installation Guide

English

EN

France: Français

FR

Deutschland: Deutsch

DE

Italia: Italiano

IT

España: Español

ES

日本: 日本語

JA

中文: 简体中文

ZH

AXIS T99A10 Positioning Unit 24 V AC/DC

Safety information	11
Hazard levels	11
Other message levels	11
Safety instructions	12
Transportation	13
Package contents	15
Hardware overview	16
How to install the product	18
Main installation tasks	18
Mount the base unit	19
Route the cables	21
Install the network link	26
Install the camera	26
Connect the cables	34
Install the PTZ driver	35
Install the illuminator kit (default installation)	35
Enable the illuminator kit	40
Install an SD card (optional)	41
Further information	42
Optional accessories	42
Warranty information	42
Specifications	43
Connectors	43
Cables	46
Operating conditions	47
Power consumption	47
Informations sur la sécurité	49
Niveaux de risques	49
Autres niveaux de message	49
Consignes de sécurité	50
Transport	51
Contenu de l'emballage	53
Aperçu du matériel	54
Comment installer le produit	56
Principales tâches d'installation	56
Montage de l'unité de base	57
Acheminement des câbles	59
Installation de la liaison réseau	65
Installation de la caméra	65
Branchez les câbles	73
Installation du pilote PTZ	74
Installer le kit du projecteur (installation par défaut)	74
Activer le kit d'éclairage	79
Installation d'une carte SD (facultatif)	80
Informations complémentaires	81
Accessoires en option	81
Informations sur la garantie	81

Caractéristiques	82
Connecteurs	82
Câbles	86
Conditions de fonctionnement	86
Consommation d'énergie	87
Sicherheitsinformationen	89
Gefährdungsstufen	89
Andere Meldeebenen	89
Sicherheitsanweisungen	90
Transport	91
Lieferumfang	93
Übersicht über die Hardware	94
Installieren des Produkts	96
Grundlegende Installationsschritte	96
Montieren der Gerätebasis	97
Die Kabel verlegen	99
Einrichten der Netzwerkverbindung	105
Installieren der Kamera	105
Anschließen der Kabel	113
Installieren des PTZ-Treibers	114
Installieren des Strahlersatzes (Standardinstallation)	114
Aktivieren der Strahler-Ausrüstung	119
Installieren einer SD-Speicherkarte (optional)	120
Weitere Informationen	121
Optionales Zubehör	121
Gewährleistungsinformationen	121
Technische Daten	122
Anschlüsse	122
Kabel	126
Betriebsbedingungen	127
Leistungsaufnahme	127
Informazioni di sicurezza	129
Livelli di pericolo	129
Altri livelli di messaggio	129
Informazioni di sicurezza	130
Trasporto	131
Contenuto della confezione	133
Panoramica dell'hardware	134
Come installare il dispositivo	136
Attività d'installazione principali	136
Montaggio dell'unità base	137
Installazione dei cavi	139
Installazione del collegamento di rete	145
Installazione della telecamera	145
Collegamento dei cavi	153
Installazione del driver PTZ	154
Installazione del kit dell'illuminatore (installazione predefinita)	154

AXIS T99A10 Positioning Unit 24 V AC/DC

Abilitazione del kit dell'illuminatore	159
Installazione di una scheda di memoria (opzionale)	160
Ulteriori Informazioni	161
Accessori opzionali	161
Informazioni sulla garanzia	161
Specifiche	162
Connettori	162
Cavi	166
Condizioni di funzionamento	166
Consumo energetico	167
Información de seguridad	169
Niveles de peligro	169
Otros niveles de mensaje	169
Instrucciones de seguridad	170
Transporte	171
Contenido del paquete	173
Información general del hardware	174
Cómo instalar el producto	176
Principales tareas de instalación	176
Montaje de la unidad base	177
Guía de los cables	179
Instalación del enlace de red	184
Instalación de la cámara	184
Conexión de los cables	192
Instalación del controlador PTZ	193
Instalar el kit de iluminador (instalación predeterminada)	193
Activar el kit de iluminador	198
Instalación de una tarjeta SD (opcional)	199
Más información	200
Accesorios opcionales	200
Información de garantía	200
Especificaciones	201
Conectores	201
Cables	205
Condiciones de funcionamiento	205
Consumo de energía	206
安全情報	207
危険レベル	207
その他のメッセージレベル	207
安全手順	208
輸送	209
パッケージの内容	211
ハードウェアの概要	212
製品の取り付け方法	214
主な設置タスク	214
ベースユニットの取り付け	215
ケーブルの配線	217

ネットワークリンクのインストール	223
カメラの設置	223
ケーブルの接続	231
PTZドライバーのインストール	232
イルミネーターキットの設置 (デフォルト設置)	232
イルミネーターキットを有効にする	237
SDカードの装着 (オプション)	238
関連情報	239
オプションアクセサリ	239
保証情報	239
仕様	240
コネクタ	240
ケーブル	244
動作条件	244
消費電力	245
安全情報	247
危険等級	247
其他消息等級	247
安全说明	248
运输	248
包装内容	249
硬件概览	250
如何安装产品	252
主要安装任务	252
安装底座单元	253
布线	255
安装网络链路	260
安装摄像机	260
连接电缆	268
安装 PTZ 驱动程序	269
安装照明器套件 (默认安装)	269
开启照明器套件	274
安装 SD 卡 (可选)	275
更多信息	276
可选附件	276
质保信息	276
规格	277
接口	277
电缆	280
工作条件	281
功耗	281

Read this first

Read through this Installation Guide carefully before installing the product. Keep the Installation Guide for future reference.

Legal considerations

Liability

Every care has been taken in the preparation of this document. Please inform your local Axis office of any inaccuracies or omissions. Axis Communications AB cannot be held responsible for any technical or typographical errors and reserves the right to make changes to the product and manuals without prior notice. Axis Communications AB makes no warranty of any kind with regard to the material contained within this document, including, but not limited to, the implied warranties of merchantability and fitness for a particular purpose. Axis Communications AB shall not be liable nor responsible for incidental or consequential damages in connection with the furnishing, performance or use of this material. This product is only to be used for its intended purpose.

Intellectual property rights

Axis AB has intellectual property rights relating to technology embodied in the product described in this document. In particular, and without limitation, these intellectual property rights may include one or more of the patents listed at axis.com/patent and one or more additional patents or pending patent applications in the US and other countries.

This product contains licensed third-party software. See the menu item "About" in the product's user interface for more information.

This product contains source code copyright Apple Computer, Inc., under the terms of Apple Public Source License 2.0 (see opensource.apple.com/apsl/). The source code is available from developer.apple.com/bonjour/.

Equipment modifications

This equipment must be installed and used in strict accordance with the instructions given in the user documentation. This equipment contains no user-serviceable components. Unauthorized equipment changes or modifications will invalidate all applicable regulatory certifications and approvals.

Trademark acknowledgements

AXIS COMMUNICATIONS, AXIS and VAPIX are registered trademarks or trademark applications of Axis AB in various jurisdictions. All other company names and products are trademarks or registered trademarks of their respective companies.

Apple, Apache, Bonjour, Ethernet, Internet Explorer, Linux, Microsoft, Mozilla, Real, SMPTE, QuickTime, UNIX, Windows, and WWW are registered trademarks of the respective holders. Java and all Java-based trademarks and logos are trademarks or registered trademarks of Oracle and/or its affiliates. The UPnP Word Mark and UPnP Logo are trademarks of Open Connectivity Foundation, Inc. in the United States or other countries.

Regulatory information

Europe



This product complies with the applicable CE marking directives and harmonized standards:

- Electromagnetic Compatibility (EMC) Directive 2014/30/EU. See *Electromagnetic compatibility (EMC) on page 8*.
- Low Voltage Directive (LVD) 2014/35/EU. See *Safety on page 9*.
- Restriction of Hazardous Substances (RoHS) Directive 2011/65/EU and 2015/863, including any amendments, updates or replacements. See *Disposal and recycling on page 9*.

A copy of the original declaration of conformity may be obtained from Axis Communications AB. See *Contact information on page 9*.

Electromagnetic compatibility (EMC)

This equipment has been designed and tested to fulfill applicable standards for:

- Radio frequency emission when installed according to the instructions and used in its intended environment.
- Immunity to electrical and electromagnetic phenomena when installed according to the instructions and used in its intended environment.

USA

This device complies with part 15 of the FCC Rules. Operation is subject to the following two conditions:

1. This device may not cause harmful interference, and
2. this device must accept any interference received, including interference that may cause undesired operation.

This equipment has been tested using an unshielded network cable (UTP) and found to comply with the limits for a Class A digital device, pursuant to part 15 of the FCC rules. This equipment has also been tested using a shielded network cable (STP) and found to comply with the limits for a Class A digital device, pursuant to part 15 of the FCC rules. These limits are designed to provide reasonable protection against harmful interference when the equipment is operated in a commercial environment. This equipment generates, uses, and can radiate radio frequency energy and, if not installed and used in accordance with the instruction manual, may cause harmful interference to radio communications. Operation of this equipment in a residential area is likely to cause harmful interference in which case the user will be required to correct the interference at his own expense.

Contact information

Axis Communications Inc.
300 Apollo Drive
Chelmsford, MA 01824
United States of America
Tel: +1 978 614 2000

Canada

This digital apparatus complies with CAN ICES-3 (Class A). The product shall be connected using a shielded network cable (STP) that is properly grounded. Cet appareil numérique est conforme à la norme CAN NMB-3 (classe A). Le produit

doit être connecté à l'aide d'un câble réseau blindé (STP) qui est correctement mis à la terre.

Europe

This digital equipment fulfills the requirements for RF emission according to the Class A limit of EN 55032. The product shall be connected using a shielded network cable (STP) that is properly grounded. Notice! This is a Class A product. In a domestic environment this product may cause RF interference, in which case the user may be required to take adequate measures.

Australia/New Zealand

This digital equipment fulfills the requirements for RF emission according to the Class A limit of AS/NZS CISPR 32. The product shall be connected using a shielded network cable (STP) that is properly grounded. Notice! This is a Class A product. In a domestic environment this product may cause RF interference, in which case the user may be required to take adequate measures.

Japan

この装置は、クラスA機器です。この装置を住宅環境で使用すると電波妨害を引き起こすことがあります。この場合には使用者が適切な対策を講ずるよう要求されることがあります。VCCI - A
本製品は、シールドネットワークケーブル (STP) を使用して接続してください。また適切に接地してください。

Korea

이 기기는 업무용 환경에서 사용할 목적으로 적합성평가를 받은 기기로서 가정용 환경에서 사용하는 경우 전파간섭의 우려가 있습니다. 적절히 접지된 STP (shielded twisted pair) 케이블을 사용하여 제품을 연결 하십시오.

Safety

This product complies with IEC/EN/UL 60950-1, safety of audio/video and IT equipment and IEC/EN/UL 60950-22, Safety of Information Technology Equipment. The product shall be grounded using both the protective earth wire in the power cable and the grounding braid. Make sure both ends of the protective earth wire and the grounding braid are in contact with their respective grounding surfaces.

The power supply used with this product shall fulfill the requirements for Safety Extra Low Voltage (SELV) according to clause 2.2 of IEC/UL 60950-1 or CEC/NEC Class 2 source of supply as defined in the Canadian Electrical Code, CSA C22.1 and National Electrical Code, ANSI/NFPA 70.

Disposal and recycling

When this product has reached the end of its useful life, dispose of it according to local laws and regulations. For information about your nearest designated collection point, contact your local authority responsible for waste disposal. In accordance with local legislation, penalties may be applicable for incorrect disposal of this waste.

Europe



This symbol means that the product shall not be disposed of together with household or commercial waste. Directive 2012/19/EU on waste electrical and electronic equipment (WEEE) is applicable in

the European Union member states. To prevent potential harm to human health and the environment, the product must be disposed of in an approved and environmentally safe recycling process. For information about your nearest designated collection point, contact your local authority responsible for waste disposal. Businesses should contact the product supplier for information about how to dispose of this product correctly.

This product complies with the requirements of Directive 2011/65/EU and 2015/863 on the restriction of the use of certain hazardous substances in electrical and electronic equipment (RoHS).

China



This product complies with the requirements of SJ/T 11364-2014, Marking for the restriction of hazardous substances in electrical and electronic products.

有毒有害物質或元素						
部件名稱	鉛 (Pb)	汞 (Hg)	鎘 (Cd)	六價鉻 (Cr(VI))	多溴聯苯 (PB-B)	多溴二苯醌 (PB-DE)
电气实裝部分	X	0	0	0	0	0
0: 表示该有毒有害物質在该部件均质材料中的含量均在GB/T 26572标准规定的限量要求以下。 X: 表示该有毒有害物質至少在该部件的某一均质材料中的含量超出GB/T 26572标准规定的限量要求。						

Contact information

Axis Communications AB
Emdalavägen 14
223 69 Lund
Sweden

Tel: +46 46 272 18 00

Fax: +46 46 13 61 30

axis.com

Warranty information

For information about Axis' product warranty and thereto related information, go to axis.com/warranty.

Support

Should you require any technical assistance, please contact your Axis reseller. If your questions cannot be answered immediately, your reseller will forward your queries through the appropriate channels to ensure a

rapid response. If you are connected to the Internet, you can:

- download user documentation and software updates
- find answers to resolved problems in the FAQ database, search by product, category, or phrase
- report problems to Axis support staff by logging in to your private support area
- chat with Axis support staff
- visit Axis Support at axis.com/support

Learn more!

Visit Axis learning center axis.com/academy for useful trainings, webinars, tutorials and guides.

Safety information

Hazard levels

▲DANGER

Indicates a hazardous situation which, if not avoided, will result in death or serious injury.

▲WARNING

Indicates a hazardous situation which, if not avoided, could result in death or serious injury.

▲CAUTION

Indicates a hazardous situation which, if not avoided, could result in minor or moderate injury.

NOTICE

Indicates a situation which, if not avoided, could result in damage to property.

Other message levels

Important

Indicates significant information which is essential for the product to function correctly.

Note

Indicates useful information which helps in getting the most out of the product.

AXIS T99A10 Positioning Unit 24 V AC/DC

Safety instructions


⚠ DANGER

Risk of electric shock. All cables shall be de-energized before installing or performing maintenance on the product.


⚠ WARNING

The Axis product shall be installed by a trained professional, and in compliance with local laws and regulations.

⚠ CAUTION

 Risk of injury. Moving parts. Keep your body parts away from the product when in operation. Disconnect from power supply before installing or performing maintenance on the product.

⚠ CAUTION

 Risk of injury. Hot surface. Do not touch the product when in operation. Disconnect from power supply and allow the surfaces to cool before performing maintenance on the product.

NOTICE

- The Axis product shall be used in compliance with local laws and regulations.
- Store the Axis product in a dry and ventilated environment.
- Avoid exposing the Axis product to shocks or heavy pressure.
- Do not install the product on unstable poles, brackets, surfaces or walls.
- Use only applicable tools when installing the Axis product. Using excessive force with power tools could cause damage to the product.
- Do not use chemicals, caustic agents, or aerosol cleaners.
- Use a clean cloth dampened with pure water for cleaning.
- Use only accessories that comply with the technical specification of your product. These can be provided by Axis or a third party. Axis recommends using Axis power source equipment compatible with your product.
- Use only spare parts provided by or recommended by Axis.
- Do not attempt to repair the product yourself. Contact Axis support or your Axis reseller for service matters.
- Do not point the camera lens toward the sun or other high-intensity radiation sources because this could cause damage to the camera.
- Use a yellow/green colored grounding cable of at least 0,5 mm² or 20 AWG.

Transportation

NOTICE

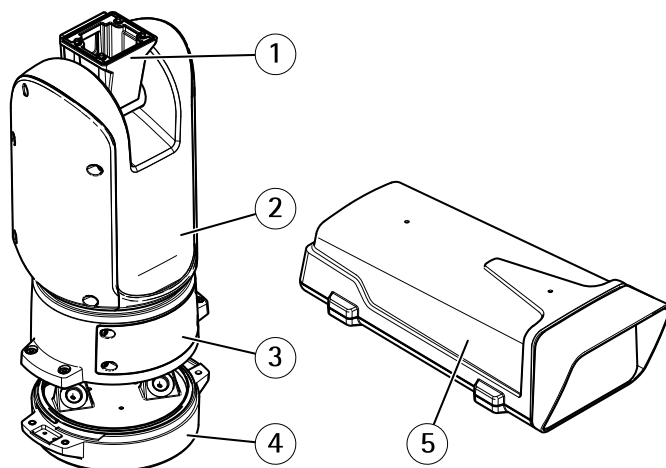
- When transporting the Axis product, use the original packaging or equivalent to prevent damage to the product.

Package contents

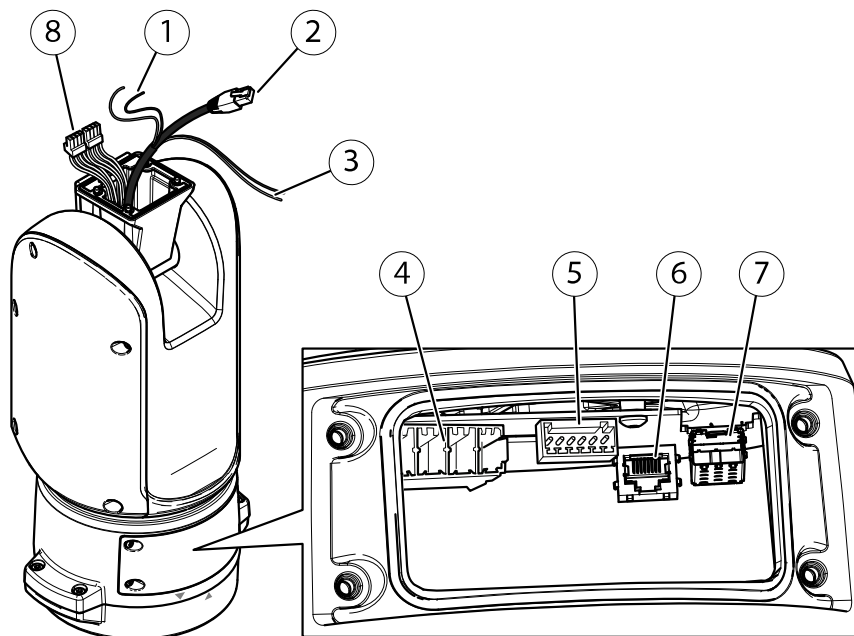
- Positioning unit
- Camera housing
- Power connector
- I/O connector
- Torx® bit T20 and T30
- Printed materials
 - Installation Guide (this document)
 - Extra serial number label (2x)
 - AVHS Authentication key

AXIS T99A10 Positioning Unit 24 V AC/DC

Hardware overview



- 1 Positioning unit (tilt)
- 2 Positioning unit (pan)
- 3 Lid
- 4 Base unit
- 5 Camera housing



- 1 Camera power cable
- 2 Camera network cable
- 3 Camera serial interface cable
- 4 Input power connector
- 5 I/O connector
- 6 RJ45 connector
- 7 SFP slot for SFP module (SFP module not included)
- 8 Illuminator cables

How to install the product

Main installation tasks

1. *Mount the base unit*
2. *Route the cables*
3. *Install the network link*
4. *Install the camera*
5. *Connect the cables*
6. *Install the PTZ driver*
7. *Install the illuminator kit (default installation)*
8. *Enable the illuminator kit*
9. *Install an SD card (optional)*

⚠ DANGER

Risk of electric shock. All cables shall be de-energized before installing the product.

⚠ CAUTION

The electrical connections and conduit installations shall be made by a certified electrician and in compliance with local regulations.

⚠ CAUTION



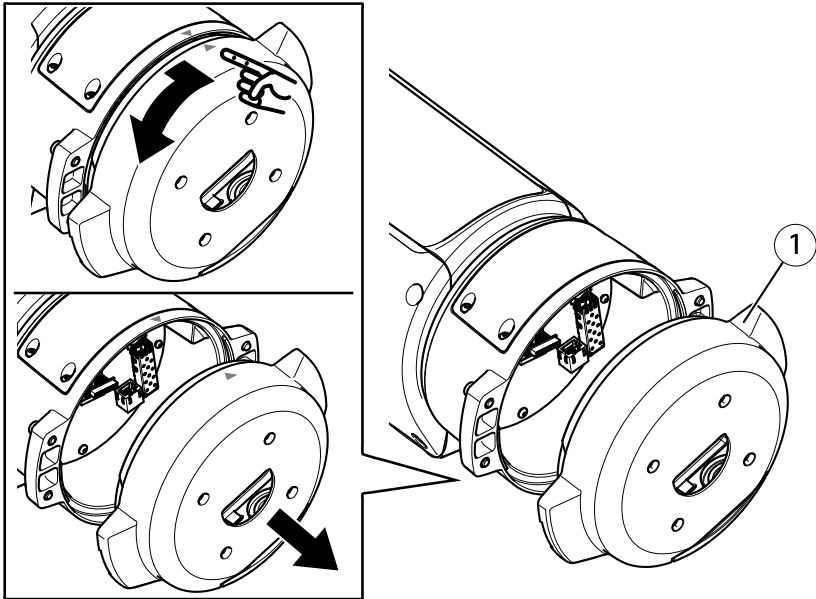
Risk of injury. Moving parts. Keep your body parts away from the product when in operation. Disconnect from power supply before installing or performing maintenance on the product.

⚠ CAUTION



Risk of injury. Hot surface. Do not touch the product when in operation. Disconnect from power supply and allow the surfaces to cool before performing maintenance on the product.

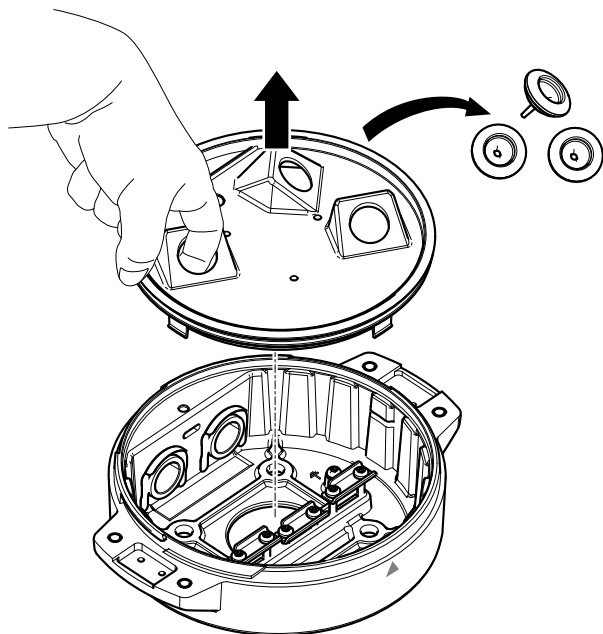
Mount the base unit



1 Base unit

1. Remove the four base unit screws (T30).
2. Simultaneously pull and turn the base unit counterclockwise until the arrows on the base unit and the rest of the unit are aligned.
3. Remove the base unit.

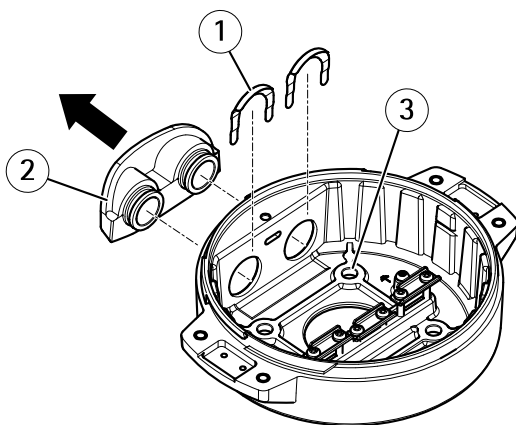
AXIS T99A10 Positioning Unit 24 V AC/DC



NOTICE

Do not use sharp tools when removing the transparent base unit cover.

4. Remove the transparent base unit cover.



- 1 Conduit cover clip

- 2 Conduit cover
 - 3 Screw hole (x4)
5. For conduit installations only: remove the two conduit cover clips followed by the conduit cover.
 6. Attach the base unit to the mounting surface using the appropriate fasteners in the four screw holes.

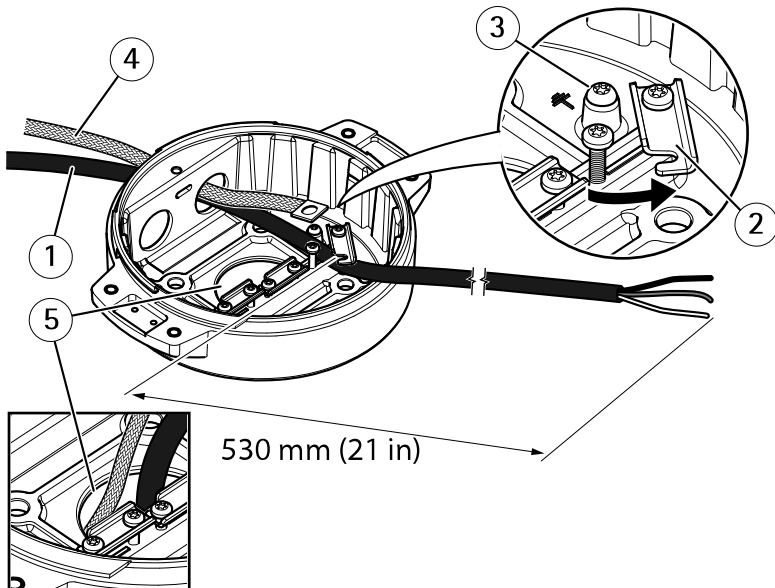
Route the cables

⚠WARNING

Risk of electric shock. The product shall be grounded using both the protective earth wire in the power cable and the grounding braid. Make sure both ends of the protective earth wire and the grounding braid are in contact with their respective grounding surfaces.

Important

Use only cables that comply with the specified cable area. For more information, see *Cable thickness on page 46*.

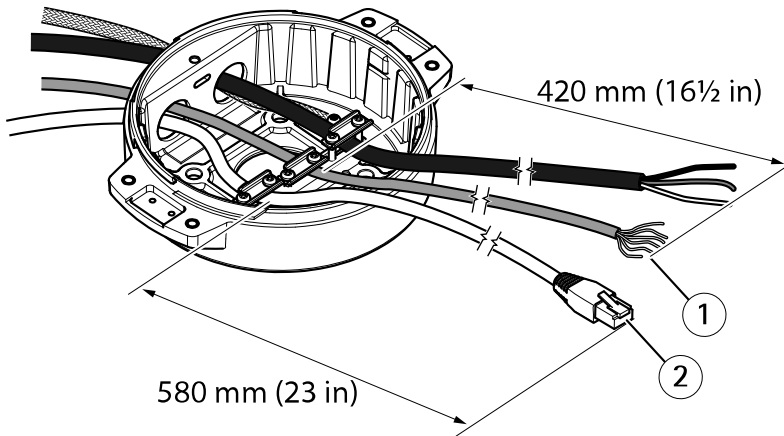


- 1 Power cable (not included)
- 2 Strain relief
- 3 Grounding screw
- 4 Grounding braid (not included)

AXIS T99A10 Positioning Unit 24 V AC/DC

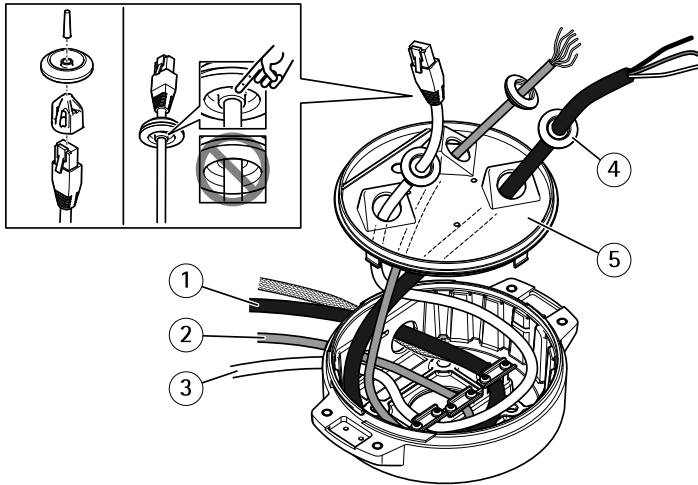
5 Bottom cable hole

1. Install the optional conduit adapters (not included).
2. Connect the grounding braid to the grounding screw.
3. Insert the power cable, I/O cable and network cable through the hole in the base unit as shown in the illustration above. Alternatively insert them through the bottom cable hole.
4. Insert the power cable through the strain relief with a distance of 530 mm (21 in) from the strain relief to the end of the cable.



- 1 I/O cable (optional, not included)
- 2 Network cable (not included)

5. Insert the I/O cable (optional) through the strain relief with a distance of 420 mm (16½ in) from the strain relief to the end of the cable.
6. Insert the network cable (optical fiber cable and/or RJ45 cable) through the strain relief with a distance of 580 mm (23 in) from the strain relief to the end of the connector. For more information on different network connectivity options, see *Install the network link on page 26*.
7. Close and tighten the three strain reliefs.



- 1 Power cable (not included)
- 2 I/O cable (optional, not included)
- 3 Network cable (not included)
- 4 Cable gasket
- 5 Transparent base unit cover

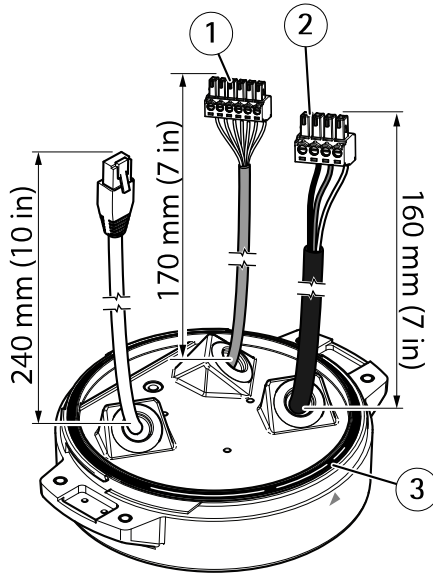
8. Fit cable gaskets on the cables. See *Cable thickness* on page 46.
9. Insert the power, I/O and network cables including the cable gaskets through the holes in the transparent base unit cover and arrange the cables as shown in the illustration above.

NOTICE

If you use both an optical fibre cable and an RJ45 cable for network connectivity, route the optical fibre cable through the same cable gasket as the I/O cable. Apply a sealant between the cables and the cable gasket to prevent leakage. For more information on different network connectivity options, see *Install the network link* on page 26.

10. Replace the transparent base unit cover on the base unit and fit the cable gaskets inside the holes.

AXIS T99A10 Positioning Unit 24 V AC/DC



- 1 I/O connector
- 2 Power connector
- 3 O-ring

NOTICE

Make sure the protective earth wire is about 10 mm (3/8 in) longer than the other two wires (in the power cable), so that it will not be disconnected accidentally if pulled.

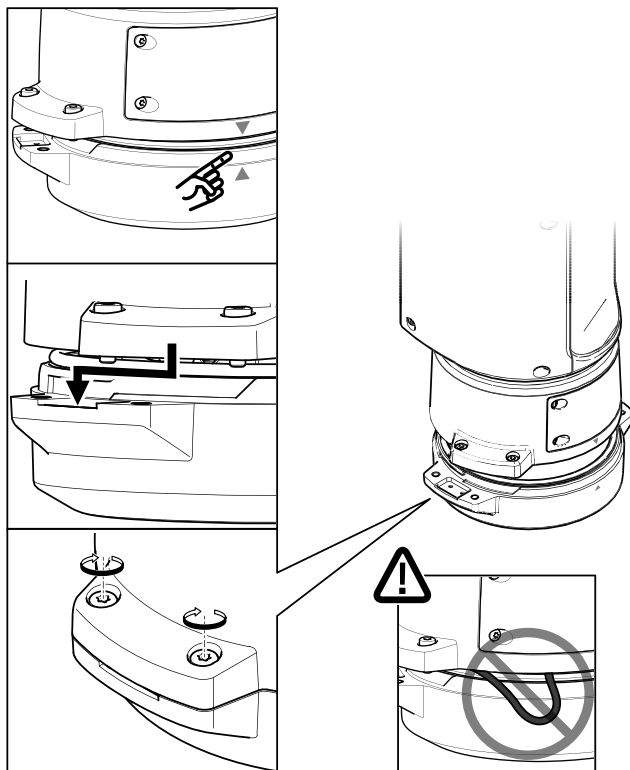
Note

We recommend that you strip approximately 90 mm (3½ in) of the power cable jacket and 70 mm (2¾ in) of the I/O cable jacket for ease of installation.

11. Install the power and I/O connectors, see *Connectors on page 43*.
12. Adjust the network, I/O and power cables so that the distance from the cable gasket to the end of the connector is 240 mm (10 in), 170 mm (7 in), and 160 mm (7 in) respectively.

NOTICE

Make sure that the O-ring is fitted correctly around the transparent base unit cover.

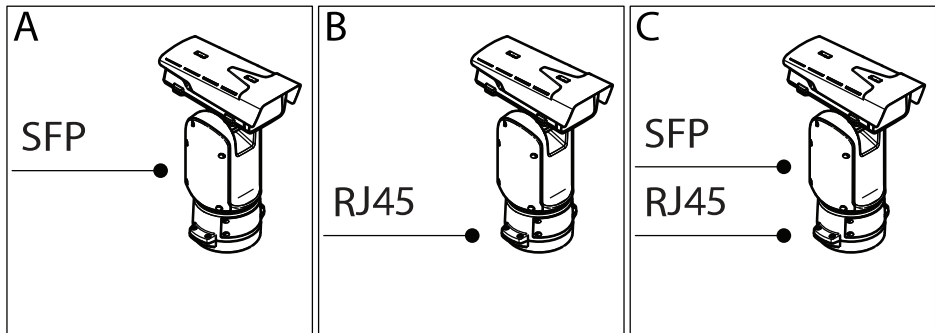


13. Replace the positioning unit on the base unit making sure that the arrows on the two units are aligned.
14. Turn the positioning unit clockwise back to its original position and tighten the four base unit screws (torque 3.0 Nm).

NOTICE

Make sure that the cables do not get pinched when mounting the two units.

Install the network link



You have different options for installing the network link:

- A: via an optical fiber or RJ45 cable connected to the SFP module (with a respective connector) in the SFP slot.
- B: via an RJ45 cable connected to the fixed RJ45 connector.
- C: via both of the above, in which case connection via the SFP module functions as the primary network link and connection via the fixed RJ45 connector as the fail-over link.

For more information on network connector locations, see *Connectors on page 43*.

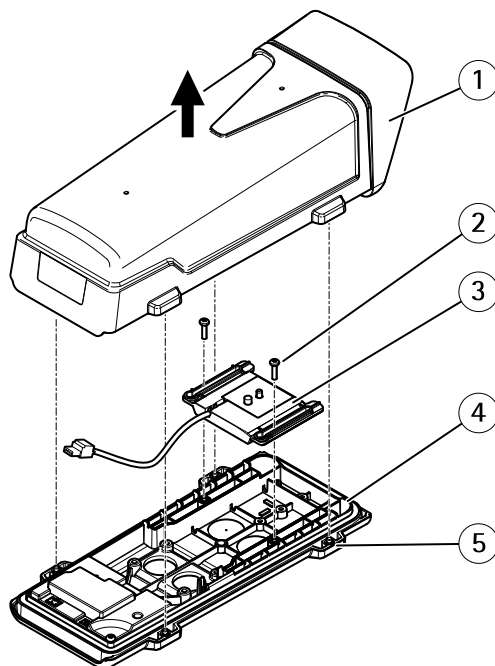
Note

- SFP module is not included. For more information on available SFP modules, see www.axis.com
- Establishing a network link only via the optical fiber cable using the respective SFP module works as a stand-alone solution for long range cabling installations.

Install the camera

NOTICE

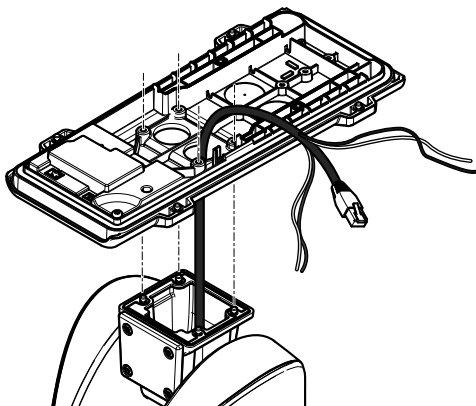
This product supports several network cameras. For a complete list of supported cameras, see www.axis.com.



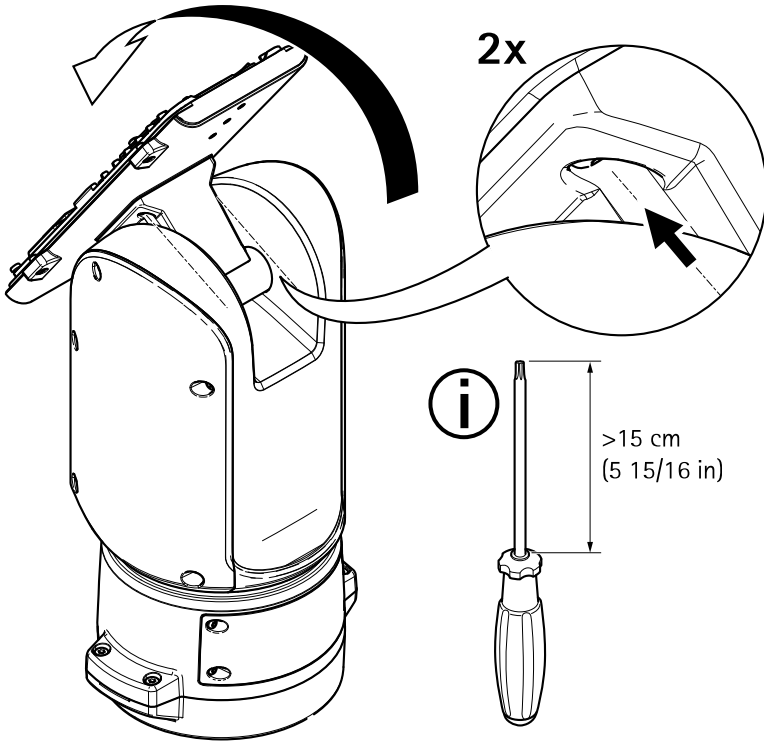
- 1 Camera housing top cover
- 2 Heater holder screw (T20, x2)
- 3 Heater holder with heater
- 4 Camera housing bottom cover
- 5 Camera housing cover screws (T20, x4)

1. Remove the four camera housing cover screws (T20) and detach the top cover from the bottom cover.
2. Remove the two heater holder screws (T20) and remove the heater from the bottom cover.

AXIS T99A10 Positioning Unit 24 V AC/DC



3. Insert the network/power/serial interface cable through the hole in the bottom cover.
4. Fit the bottom cover on the positioning unit.

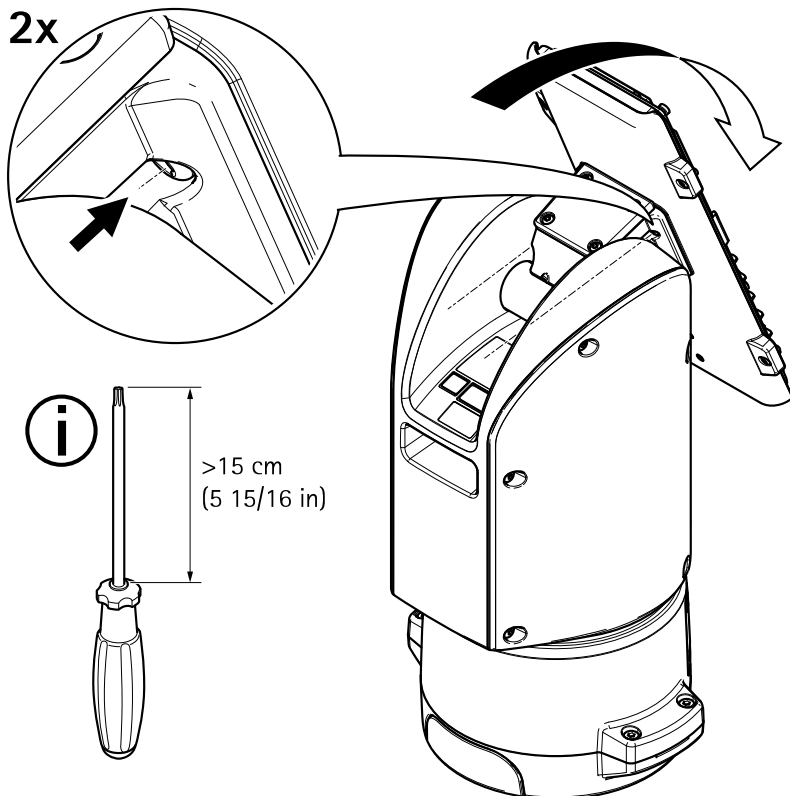


5. Tilt the bottom cover backward to its end position and tighten the two front screws of the positioning unit (T20, torque 3.0 Nm).

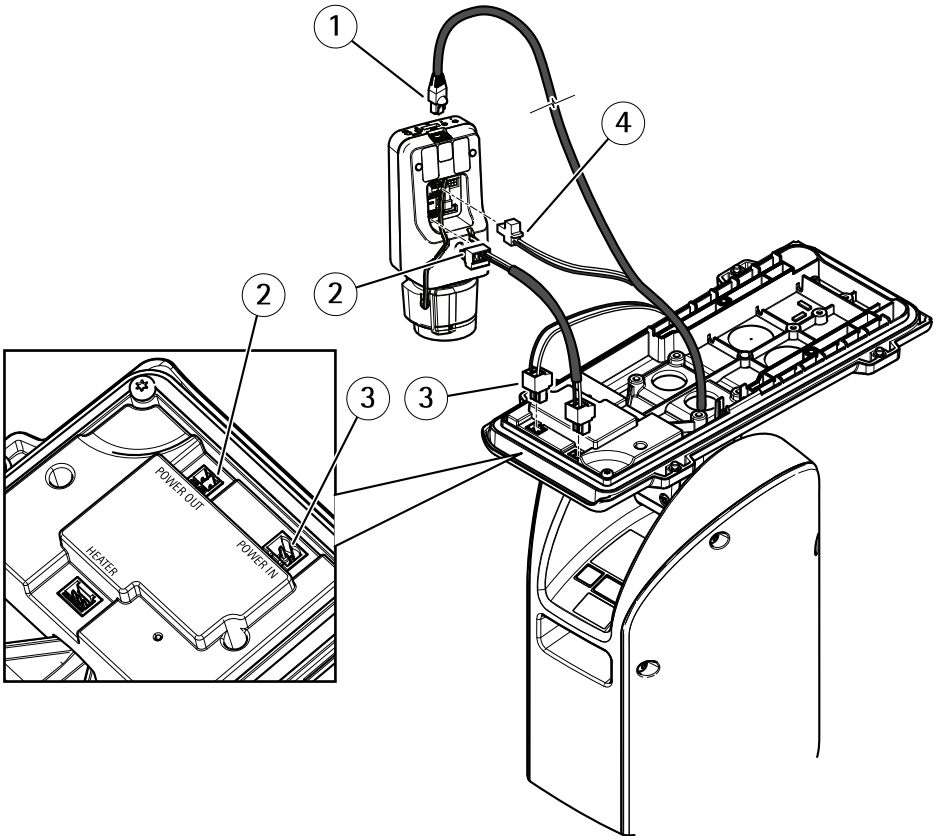
NOTICE

To reach the positioning unit screws, use a screwdriver with a long enough blade (see picture above).

AXIS T99A10 Positioning Unit 24 V AC/DC



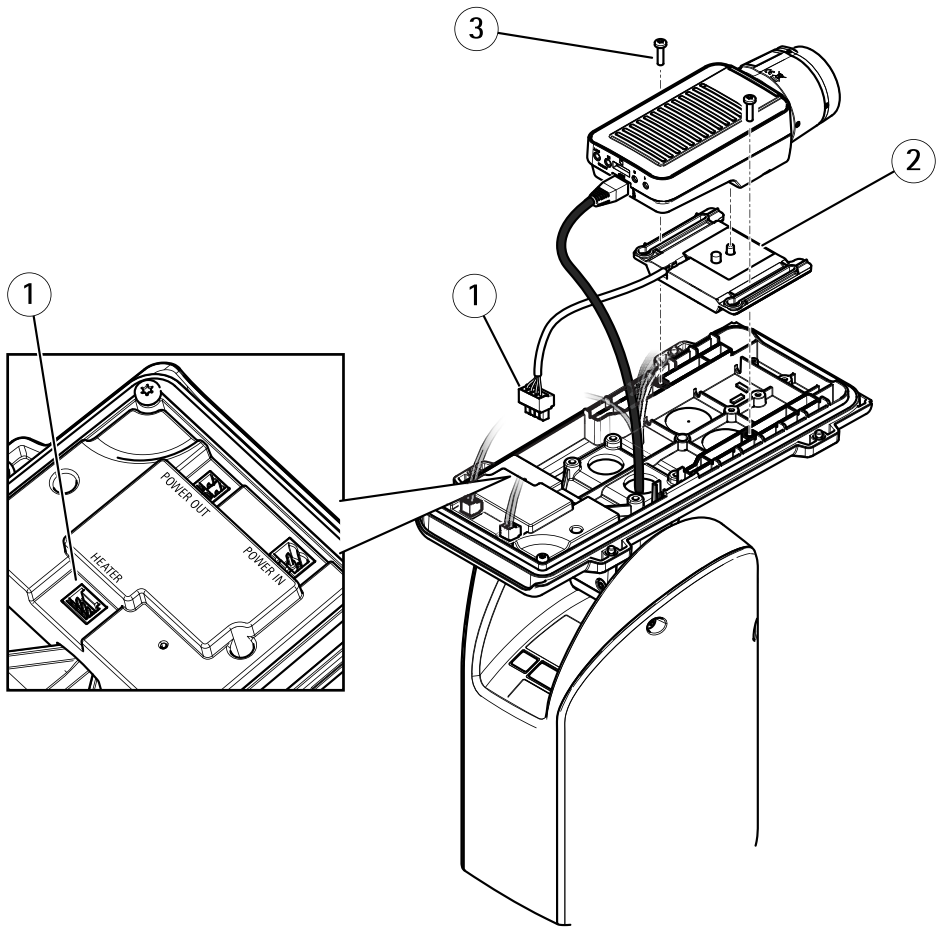
6. Tilt the bottom cover forward to its end position and tighten the two rear screws of the positioning unit (T20, torque 3.0 Nm).



- 1 Camera network cable
- 2 Camera power cable from bottom cover to camera (cable not included, connector included)
- 3 Camera power cable from positioning unit to bottom cover (cable and connector included)
- 4 Camera serial interface cable (connector not included)

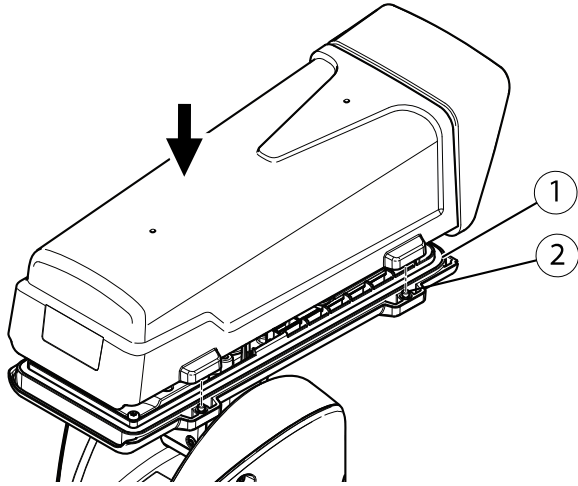
7. Connect the camera network, serial interface and power cables. For more information on cable specifications, see *Camera power cable* on page 47 and *Camera serial interface cable* on page 47.

AXIS T99A10 Positioning Unit 24 V AC/DC



- 1 Heater connector and cable
- 2 Heater holder with heater
- 3 Heater holder screw (T20, x2)

8. Mount the heater holder to the camera.
9. Mount the heater holder with the camera to the camera housing bottom, and tighten the two heater holder screws (T20, torque 0.5 Nm).
10. Connect the heater cable.

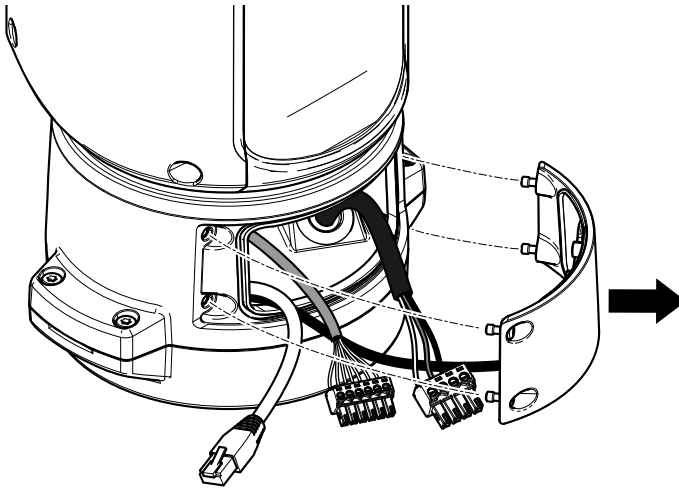


- 1 *Bottom cover gasket*
- 2 *Camera housing cover screw (T20, x4)*

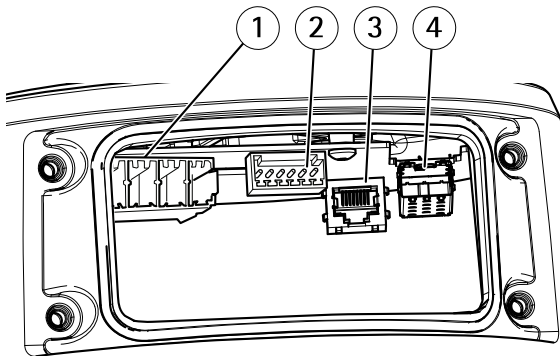
11. Mount the top cover to the bottom cover, and alternately tighten the four cover screws a few turns at a time until all screws are tight (T20, torque 1.5 Nm). This helps ensure that the gasket in the bottom cover is compressed evenly.

AXIS T99A10 Positioning Unit 24 V AC/DC

Connect the cables



1. Loosen the four lid screws (T20) and remove the lid.



- 1 *Input power connector*
- 2 *I/O connector*
- 3 *RJ45 connector*
- 4 *SFP slot for SFP module (SFP module not included)*

2. Connect the network (optical fibre and/or RJ45), I/O and power cables. For more information on different network connectivity options, see *Install the network link* on page 26.

3. Replace the lid and tighten the four lid screws (torque 3.0 Nm).
4. Apply power to the product.

Install the PTZ driver

This product supports several devices. For a complete list of supported devices, see axis.com

Important

Some cameras may need to be installed upside down in the camera housing and some may use the auto-rotation feature. Before you install the PTZ driver, edit the image settings on your camera's live view to rotate the image, and turn off autorotation.

1. Go to the camera's webpage.
2. In the installation wizard, go to **Select a PTZ mode** and select **PTZ driver** from the drop-down list.
3. Once you've accessed the live view, go to **Settings > System > Accessories**.
4. Select one of the following actions:
 - 4.1 If the PTZ driver is not uploaded, select **Upload driver**.
 - 4.2 If the PTZ driver is uploaded, go to **Select driver to use** and select **PTZ driver** from the drop-down list.
5. Select a video channel.
6. Enter the **Device id** and select **Device type** from the drop down-list. To decide which device type to use, see the documentation supplied with the PTZ driver.
7. Go to the PTZ tab and check that the PTZ settings are available.

Install the illuminator kit (default installation)

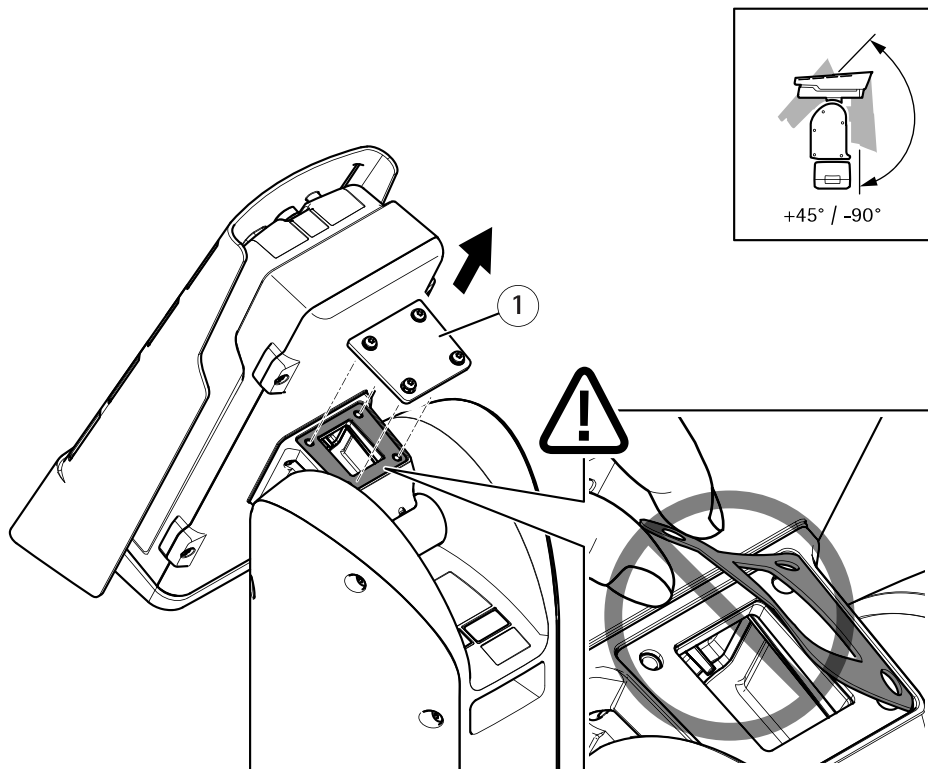
⚠WARNING

- Risk of electric shock. Make sure the power supply is disconnected.
- Emission of infrared light (risk group 2) from the illuminators can be harmful for eyes. Pay attention to the provided indications. To reduce the risk of eye damage, avoid eye exposure, and use appropriate shielding or eye protection at distances of less than 1.5 m (4.9 ft).

⚠CAUTION

During normal operation, the surface of the illuminator can reach high temperatures. Do not allow direct contact and position the appliance where it is inaccessible to unauthorized personnel. Before touching, switch off the illuminator and allow to cool for a minimum period of 10 minutes.

AXIS T99A10 Positioning Unit 24 V AC/DC

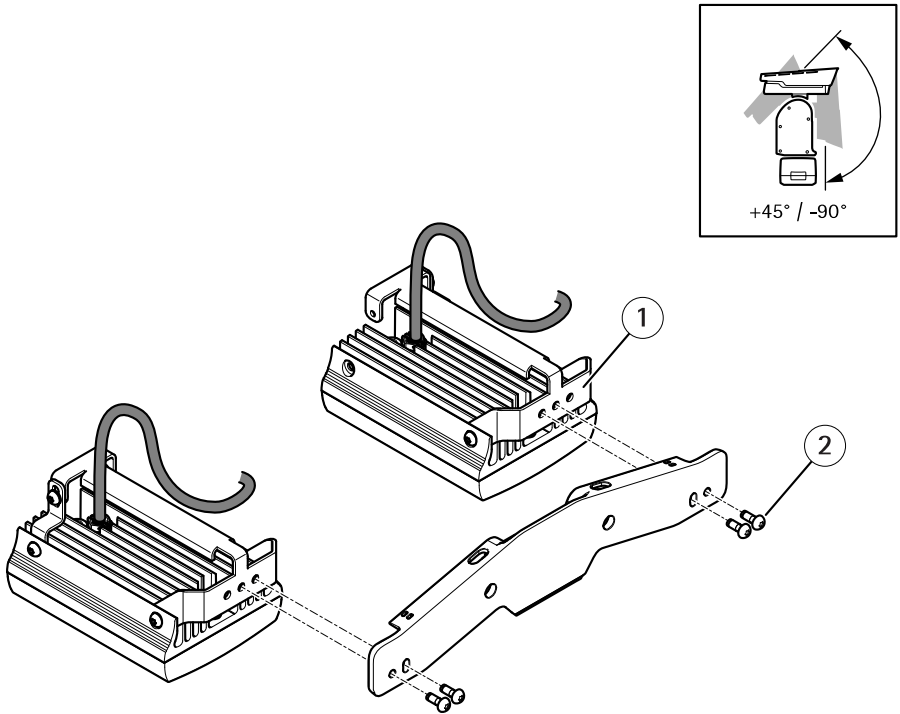


1 Cover

1. Remove the four cover screws (T20) and remove the cover.

Important

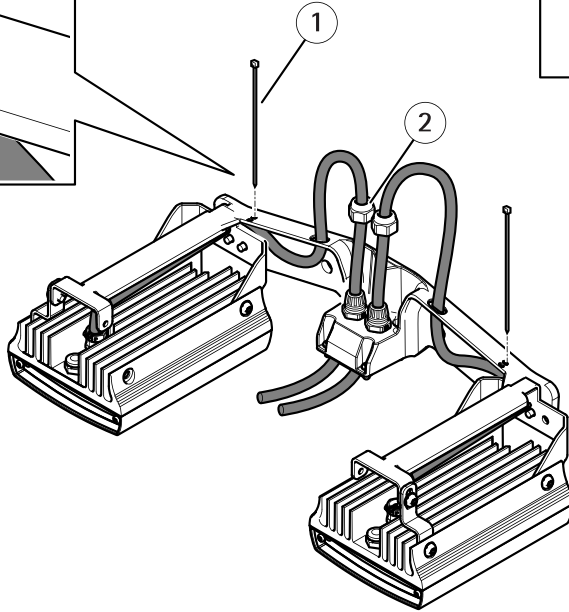
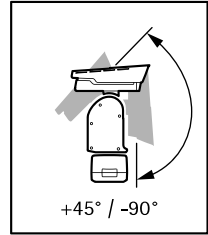
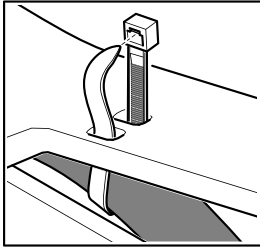
Make sure that the gasket under the cover remains in place.



- 1 Illuminator (x2)
- 2 Screw (M6, x4)

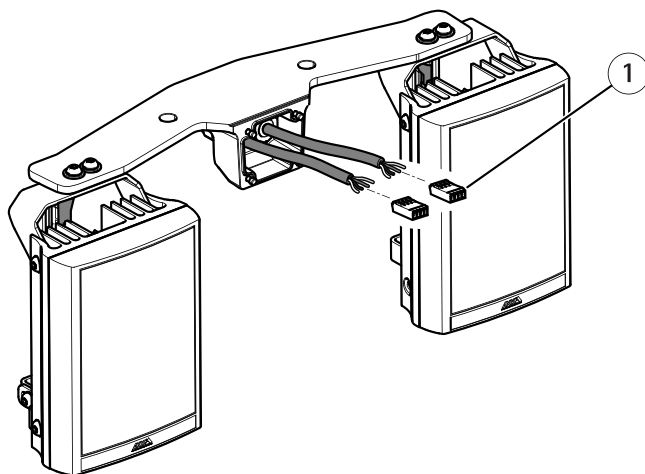
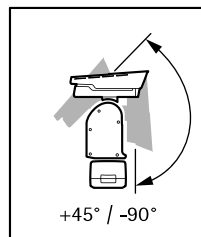
2. Attach the illuminators to the illuminator bracket using the four screws.

AXIS T99A10 Positioning Unit 24 V AC/DC



- 1 Cable tie (x2)
- 2 Cap nut (x2)

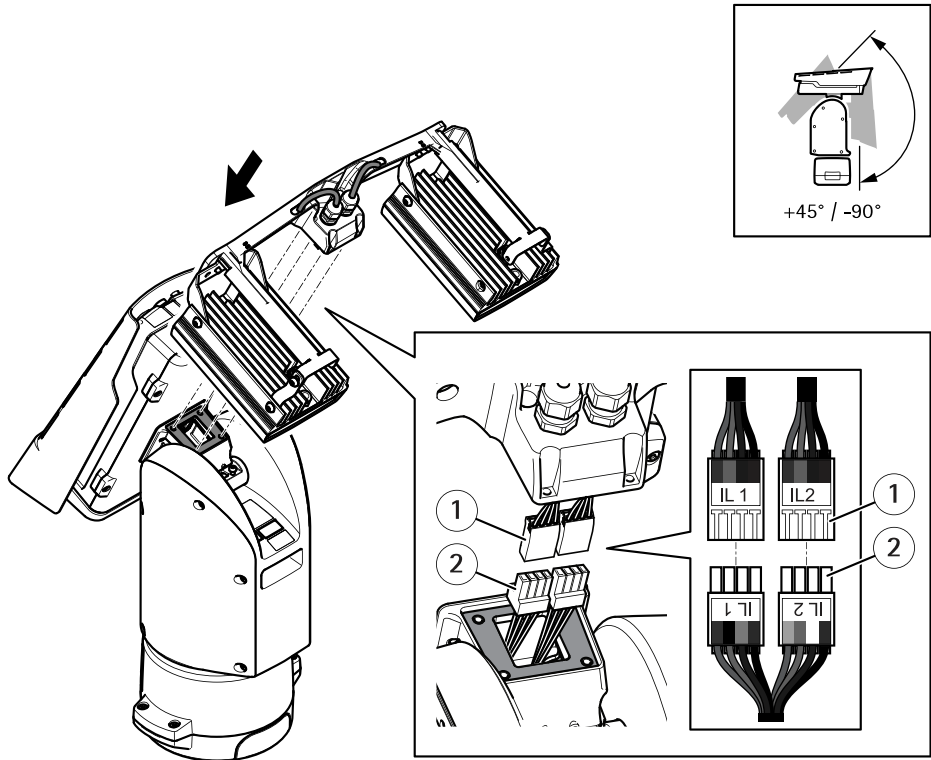
3. Route the cables as shown in the illustration above and tighten the cap nuts (torque 1.5 Nm).
4. Strap the cables to the illuminator bracket using cable ties.



1 Illuminator connector (x2)

5. Install the connectors. See *Connectors* on page 43.

AXIS T99A10 Positioning Unit 24 V AC/DC



- 1 Connector from the illuminator (x2)
- 2 Connector from the positioning unit (x2)

6. Connect the cables. See *Connectors* on page 43.
7. Attach the illuminator bracket to the positioning unit using the four screws (T20, torque 3.0 Nm).

Note

For more information on operating the illuminators, see the illuminator LED manual (check model on product label) and the User Manual of your compatible Axis product at www.axis.com

Enable the illuminator kit

Note

This is only applicable if you have installed the illuminator kit.

Important

These instructions apply only to device firmware earlier than v8.40.

1. Go to the product's web page.
2. Go to **Setup > PTZ > Advanced > Device > Extended Driver Specific Settings for Video Source 1**.
3. For **Illuminator > IL1 type**:
 - Select **IR** if you connected an infrared illuminator
 - Select **White** for a white light illuminator
4. Repeat the above step for **Illuminator > IL2 type**.

Important

These instructions apply only to device firmware v8.40 or later.

1. Go to the product's web page.
2. Go to **Settings > System > Accessories**.
3. For **Illuminator > IL1 type**:
 - Select **IR** if you connected an infrared illuminator
 - Select **White** for a white light illuminator
4. Repeat the above step for **Illuminator > IL2 type**.

Install an SD card (optional)

A standard or high capacity SD card (not included) can be used to store recordings locally in the product. See *Specifications on page 43* before installing the SD card.

1. Disconnect power from the product.
2. Remove the four top cover screws and remove the top cover.
3. Insert an SD card into the SD card slot, see *Hardware overview on page 16*.
4. Replace the top cover and tighten the screws (torque 3.0 Nm).
5. Re-connect power to the product.

Further information

- For the latest version of this document, see www.axis.com
- To check if there is updated firmware available for your product, see www.axis.com/support
- For useful online trainings and webinars, see www.axis.com/academy

Optional accessories

For a complete list of available accessories for this product, go to the product's page on axis.com and select Software & Accessories.

Warranty information

For information about Axis' product warranty and thereto related information, go to axis.com/warranty.

Specifications

To find the latest version of the product's datasheet, go to the product page at axis.com and locate **Support & Documentation**.

Connectors

Network connector

RJ45 Ethernet connector.

SFP connector.

NOTICE

The product shall be connected using a shielded network cable (STP) or an optical fiber cable. All cables connecting the product to the network shall be intended for their specific use. Make sure that the network devices are installed in accordance with the manufacturer's instructions. For information about regulatory requirements, see *Electromagnetic compatibility (EMC) on page 8*.

I/O connector

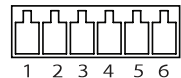
Use the I/O connector with external devices in combination with, for example, motion detection, event triggering, and alarm notifications. In addition to the 0 V DC reference point and power (DC output), the I/O connector provides the interface to:

Digital input – For connecting devices that can toggle between an open and closed circuit, for example PIR sensors, door/window contacts, and glass break detectors.

Digital output – For connecting external devices such as relays and LEDs. Connected devices can be activated by the VAPIX® Application Programming Interface or from the product's webpage.

A digital light sensor – For receiving a value of the ambient light intensity from an external light sensor. This is used to control the product's day and night functionality.

6-pin configurable terminal block

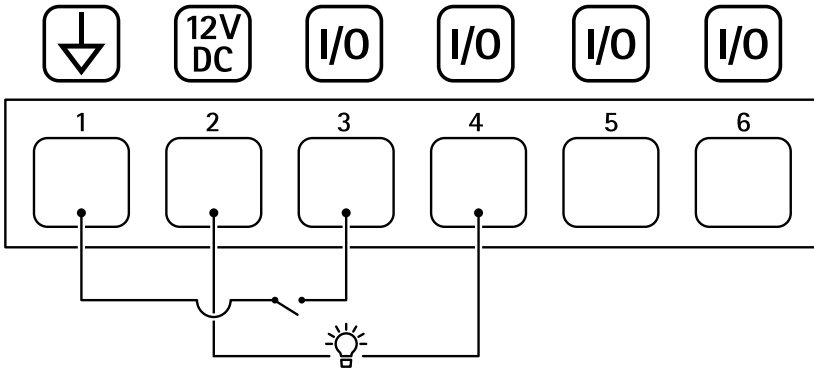


Function	Pin	Notes	Specifications
DC ground	1		0 V DC
DC output	2	Can be used to power auxiliary equipment. Note: This pin can only be used as power out.	12 V DC Max load = 50 mA

AXIS T99A10 Positioning Unit 24 V AC/DC

Configurable (Input or Output)	3–6	Digital input – Connect to pin 1 to activate, or leave floating (unconnected) to deactivate.	0 to max 30 V DC
		Digital output – Internally connected to pin 1 (DC ground) when active, and floating (unconnected) when inactive. If used with an inductive load, e.g., a relay, connect a diode in parallel with the load, to protect against voltage transients.	0 to max 30 V DC, open drain, 100 mA

Example



- 1 DC ground
- 2 DC output 12 V, max 50 mA
- 3 I/O configured as input
- 4 I/O configured as output
- 5 Configurable I/O
- 6 Configurable I/O

Power connector

4-pin terminal block for power input.

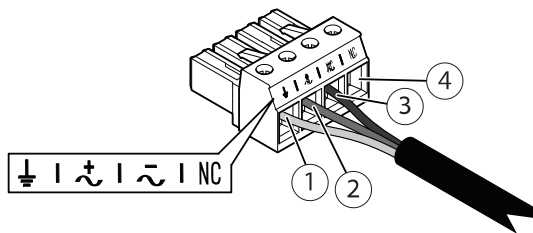
24 V AC/DC power connector

NOTICE

This section is valid for products powered by 24 V AC and 24 V DC only.

AXIS T99A10 Positioning Unit 24 V AC/DC

EN



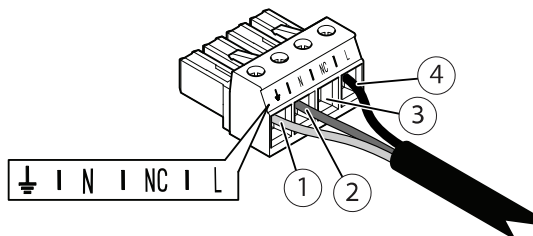
This table is only valid for the 24 V AC and the 24 V DC power connectors.

Position	24 V AC	24 V DC
1	Protective earth	Protective earth
2	24 V AC Phase	+ 24 V
3	24 V AC Neutral	0 V
4	Not connected	Not connected

240 V AC power connector

NOTICE

This section is valid for products powered by 100–240 V AC only.



This table is only valid for the 240 V AC power connector.

Position	100–240 V AC
1	Protective earth
2	240 V AC Neutral
3	Not connected
4	240 V AC Phase

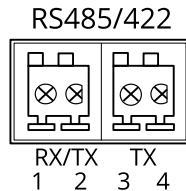
AXIS T99A10 Positioning Unit 24 V AC/DC

RS485/RS422 connector

Two 2-pin terminal blocks for RS485/RS422 serial interface used to control auxiliary equipment such as pan-tilt devices.

The serial port can be configured to support:

- Two-wire RS485 half duplex
- Four-wire RS485 full duplex
- Two-wire RS422 simplex
- Four-wire RS422 full duplex point to point communication



Function	Pin	Notes
RS485/RS422 RX/TX A	1	(RX) For full duplex RS485/RS422 (RX/TX) For half duplex RS485
RS485/RS422 RX/TX B	2	
RS485/RS422 TX A	3	(TX) For full duplex RS485/RS422
RS485/RS422 TX B	4	

Cables

Cable thickness

The cable diameter, when using cable gaskets provided with the product, should be in the range of 5 to 11 mm (0.2 to 0.4 in).

NOTICE

- Use cables that keep within the specified cable area
- Select cables in compliance with your local regulations
- Make sure all cable holes are properly sealed
- Use cable gaskets or cable glands that match both the cable hole and the cable area

For information about accessories, such as cable gaskets and cable glands that allow for other cable areas, see www.axis.com

Camera serial interface cable

Cable color	Specification
White	RS485A
Green	RS485B

Camera power cable

Cable color	Specification
Red	+ 24 V DC
Black	0 V

Operating conditions

This Axis product is intended for indoor and outdoor use.

Temperature	Humidity
Normal: -50 °C to 60 °C (-58 °F to 140 °F) Maximum (intermittent): 65 °C (149 °F) Cold start: -40 °C to 60 °C (-40 °F to 140 °F)	10–100% RH (non-condensing)

The start-up time is 2 minutes at 0 °C to 50 °C (32 °F to 122 °F).

Power consumption

Typical consumption	Max consumption
10 W	169 W

Important

When using the 22 m (72 ft) AXIS Cable 24 V DC/24–240 V AC, a power supply capable of delivering 220 W is required to compensate for the power loss in the cable.

NOTICE

The typical power consumption values are based on the following:

- Any losses in the power cable disregarded

AXIS T99A10 Positioning Unit 24 V AC/DC

- No positioning active
- Temperature at 25 °C / 77 °F (all heaters off)
- One H.264 stream at maximum resolution
- MJPEG stream recorded to SD card

Informations sur la sécurité

Niveaux de risques

▲ DANGER

Indique une situation dangereuse qui, si elle n'est pas évitée, entraînera le décès ou des blessures graves.

▲ AVERTISSEMENT

Indique une situation dangereuse qui, si elle n'est pas évitée, pourrait entraîner le décès ou des blessures graves.

▲ ATTENTION

Indique une situation dangereuse qui, si elle n'est pas évitée, pourrait entraîner des blessures légères ou modérées.

AVIS

Indique une situation qui, si elle n'est pas évitée, pourrait endommager l'appareil.

Autres niveaux de message

Important

Indique les informations importantes, nécessaires pour assurer le bon fonctionnement de l'appareil.

Note

Indique les informations utiles qui permettront d'obtenir le fonctionnement optimal de l'appareil.

Consignes de sécurité


⚠ DANGER

Risque de choc électrique. Tous les câbles doivent être mis hors tension avant l'installation ou une intervention de maintenance sur le produit.


⚠ AVERTISSEMENT

Le produit Axis doit être installé par un professionnel qualifié et conformément aux lois et réglementations locales en vigueur.

⚠ ATTENTION

 Risques de blessures. Pièces mobiles. Restez à l'écart du produit lorsqu'il est en cours de fonctionnement. Débranchez l'alimentation électrique avant d'installer le produit ou d'effectuer son entretien.

⚠ ATTENTION

 Risques de blessures. Surfaces chaudes. Ne touchez pas le produit lorsqu'il est en cours de fonctionnement. Débranchez l'alimentation électrique et laissez les surfaces refroidir avant d'effectuer l'entretien du produit.

AVS

- Le produit Axis doit être utilisé conformément aux lois et règlements locaux.
- Conserver ce produit Axis dans un environnement sec et ventilé.
- Ne pas exposer ce produit Axis aux chocs ou aux fortes pressions.
- Ne pas installer ce produit sur des poteaux, supports, surfaces ou murs instables.
- Utiliser uniquement des outils recommandés pour l'installation de l'appareil Axis. L'application d'une force excessive sur l'appareil avec des outils puissants pourrait l'endommager.
- Ne pas utiliser de produits chimiques, de substances caustiques ou de nettoyeurs pressurisés.
- Utiliser un chiffon propre imbibé d'eau pure pour le nettoyage.
- Utiliser uniquement des accessoires conformes aux caractéristiques techniques de votre produit. Ils peuvent être fournis par Axis ou un tiers. Axis recommande d'utiliser un équipement d'alimentation Axis compatible avec votre produit.
- Utiliser uniquement les pièces de rechange fournies ou recommandées par Axis.
- Ne pas essayer de réparer vous-même ce produit. Contacter l'assistance technique d'Axis ou votre revendeur Axis pour des problèmes liés à l'entretien.
- Évitez de pointer l'objectif de la caméra vers le soleil ou toute autre source de radiation de haute intensité. Cela risque d'endommager la caméra.
- Utilisez un câble de mise à la terre de couleur jaune/vert d'au moins 0,5 mm² ou de 20 AWG.

Transport

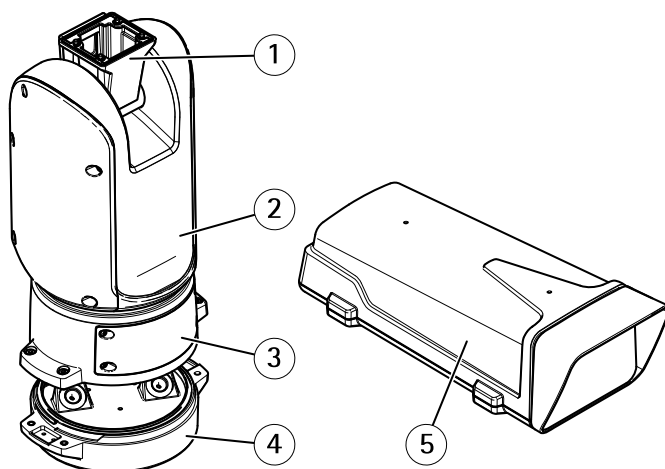
AVIS

- Lors du transport du produit Axis, utilisez l'emballage d'origine ou un équivalent pour éviter d'endommager le produit.

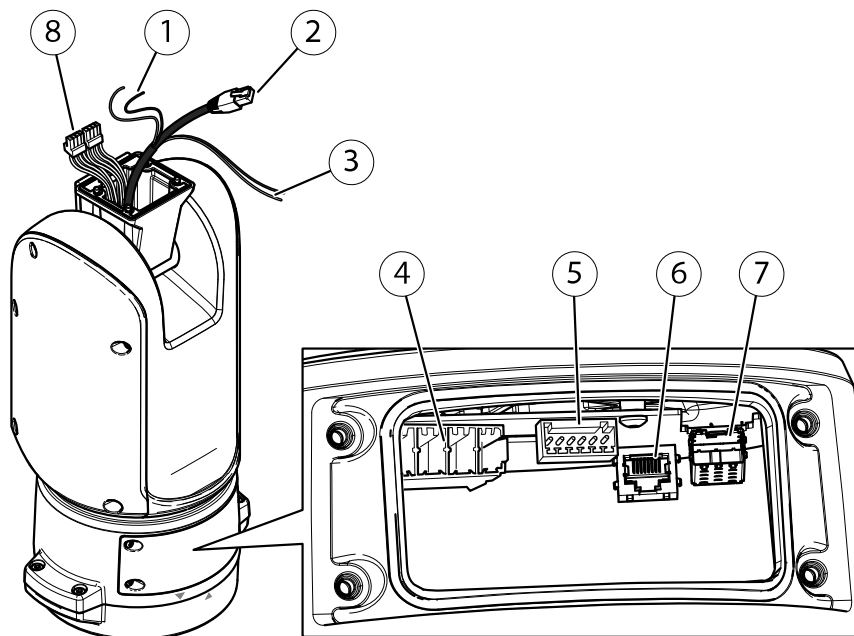
Contenu de l'emballage

- Unité de positionnement
- Boîtier de caméra
- Connecteur d'alimentation
- Connecteur E/S
- Torx® embout T20 et T30
- Documents imprimés
 - Guide d'installation (ce document)
 - Étiquette supplémentaire de numéro de série (x2)
 - Clé d'authentification AVHS

Aperçu du matériel



- 1 *Unité de positionnement (inclinaison)*
- 2 *Unité de positionnement (panoramique)*
- 3 *Opercule*
- 4 *Unité de base*
- 5 *Boîtier de caméra*



- 1 Câble électrique de la caméra
- 2 Câble réseau de la caméra
- 3 Câble interface série de la caméra
- 4 Connecteur d'alimentation d'entrée
- 5 Connecteur E/S
- 6 Connecteur RJ45
- 7 Emplacement SFP pour module SFP (module SFP non inclus)
- 8 Câbles éclairage

Comment installer le produit

Principales tâches d'installation

1. *Montage de l'unité de base*
2. *Acheminement des câbles*
3. *Installation de la liaison réseau*
4. *Installation de la caméra*
5. *Branchez les câbles*
6. *Installation du pilote PTZ*
7. *Installer le kit du projecteur (installation par défaut)*
8. *Activer le kit d'éclairage*
9. *Installation d'une carte SD (facultatif)*


⚠ DANGER

Risque de choc électrique. Tous les câbles doivent être hors tension avant d'installer le produit.


⚠ ATTENTION

Les connexions électriques et les installations de conduites doivent être effectuées par un électricien certifié et conformément aux réglementations locales.

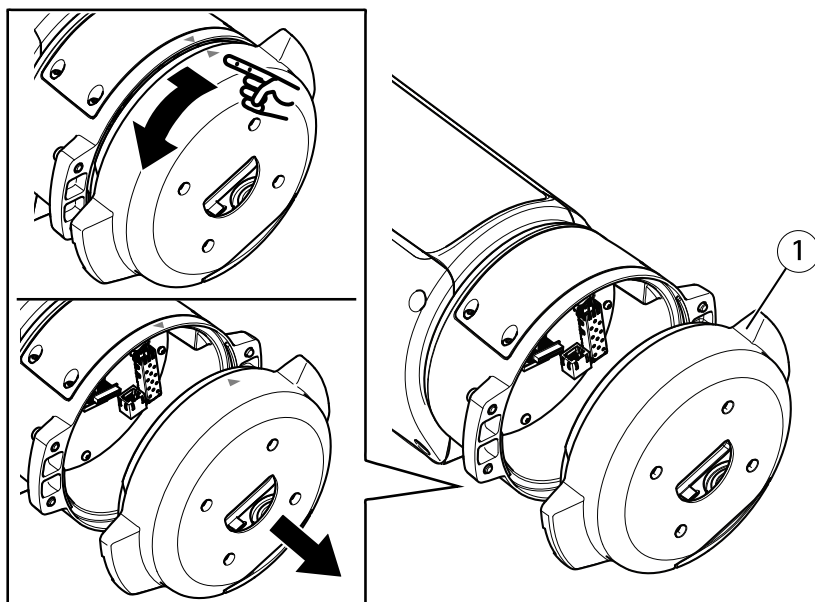
⚠ ATTENTION

 Risques de blessures. Pièces mobiles. Restez à l'écart du produit lorsqu'il est en cours de fonctionnement. Débranchez l'alimentation électrique avant d'installer le produit ou d'effectuer son entretien.

⚠ ATTENTION

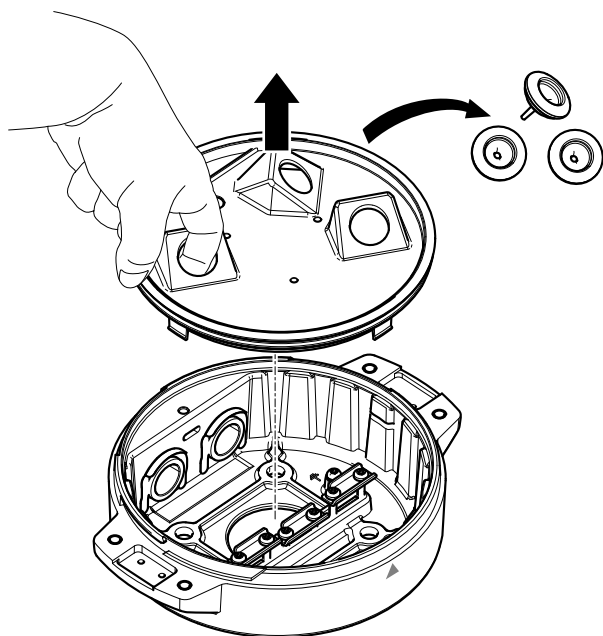
 Risques de blessures. Surfaces chaudes. Ne touchez pas le produit lorsqu'il est en cours de fonctionnement. Débranchez l'alimentation électrique et laissez les surfaces refroidir avant d'effectuer l'entretien du produit.

Montage de l'unité de base



1 Unité de base

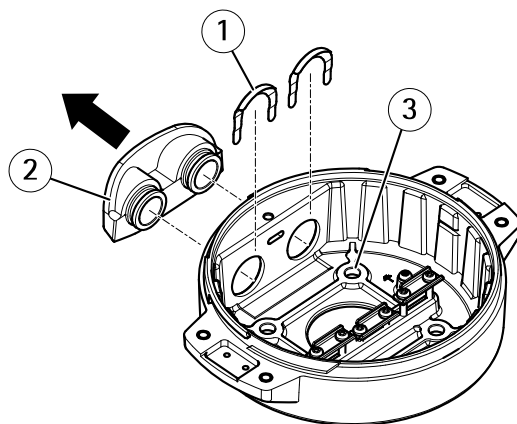
1. Déposer les quatre vis de l'unité (T30).
2. Tirez et tournez simultanément l'unité de base dans le sens anti-horaire jusqu'à ce que les flèches sur l'unité de base et le reste de l'unité soient alignées.
3. Déposez l'unité de base.



AVIS

Ne pas utiliser d'outils tranchants lors de la dépose du couvercle transparent de l'unité de base.

4. Déposez le couvercle transparent de l'unité de base.



- 1 *Clip du cache de conduit*
- 2 *Cache de conduit*
- 3 *Trou de vis (x4)*

5. Pour des installations de conduit uniquement : déposer les deux clips du cache de conduit suivis par le cache du conduit.
6. Fixez l'unité de base à la surface de montage en utilisant les éléments de fixation appropriés dans les quatre trous de vis.

Acheminement des câbles

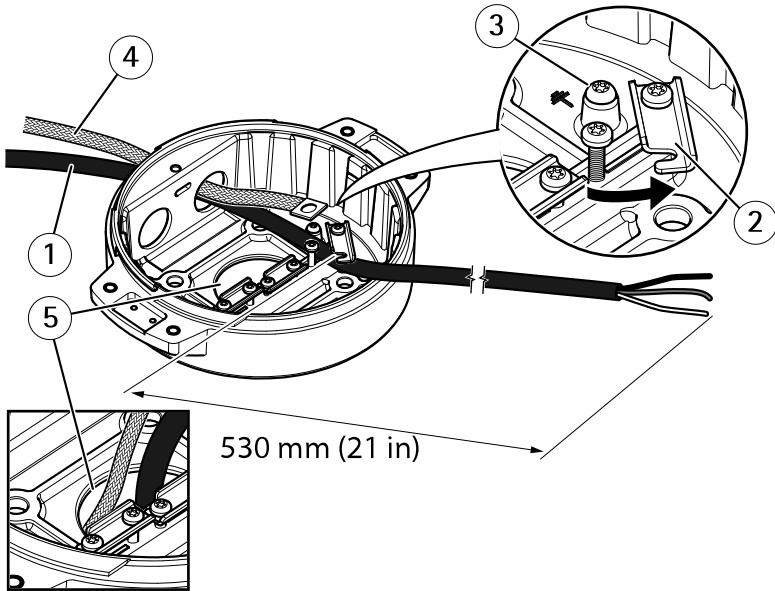
▲AVERTISSEMENT

Risque de choc électrique. Le produit doit être mis à la terre à l'aide du câble de protection de mise à la terre du câble d'alimentation et de la tresse de terre. Assurez-vous que les deux extrémités du câble de protection de mise à la terre et la tresse de terre sont en contact avec les surfaces de mise à la terre correspondantes.

Important

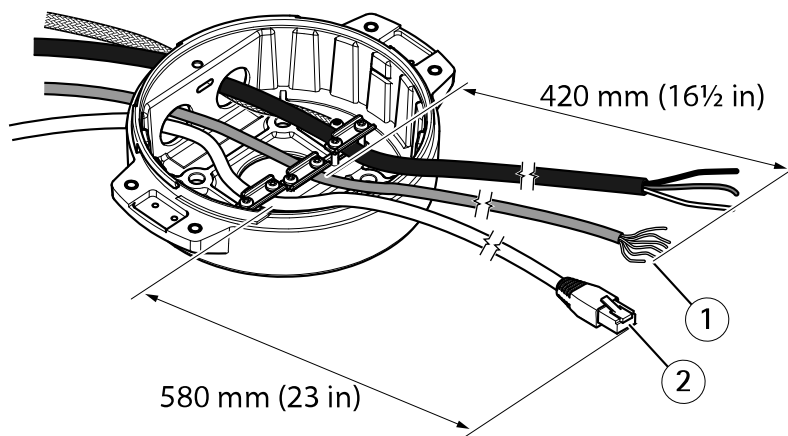
Utilisez uniquement des câbles conformes à la zone spécifiée. Pour en savoir plus, consultez *Épaisseur du câble* page 86.

AXIS T99A10 Positioning Unit 24 V AC/DC



- 1 Câble d'alimentation (non fourni)
- 2 Réducteur de tension
- 3 vis de mise à la terre
- 4 Tresse de terre (non fournie)
- 5 passage du câble inférieur

1. Installez les adaptateurs de conduit en option (non fournis).
2. Reliez la tresse de terre à la vis de mise à la terre.
3. Insérez le câble d'alimentation, le câble d'E/S et le câble réseau à travers l'orifice de l'unité de base comme illustré ci-dessus. Vous pouvez aussi les insérer dans l'orifice du câble inférieur.
4. Insérez le câble d'alimentation à travers le réducteur de tension avec une distance de 530 mm (21 po) depuis le réducteur de tension jusqu'à l'extrémité du câble.

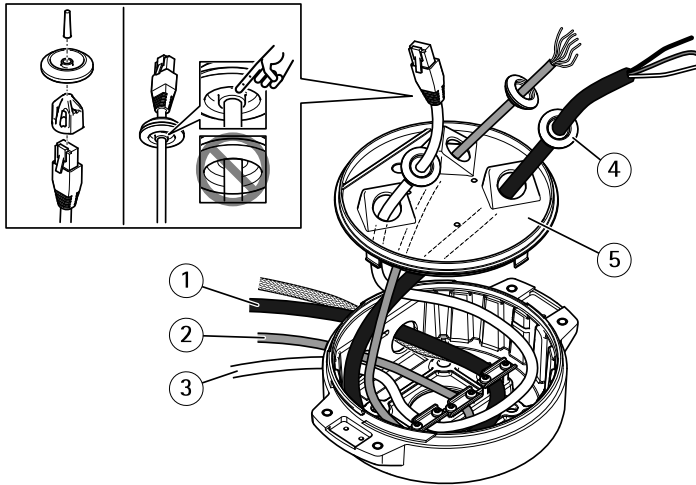


FR

- 1 Câble E/S (en option, non fourni)
- 2 Câble réseau (non inclus)

5. Insérez le câble d'E/S (en option) à travers le réducteur de tension avec une distance de 420 mm (16 1/2 po) depuis le réducteur de tension jusqu'à l'extrémité du câble.
6. Insérez le câble réseau (câble fibre optique et/ou câble RJ45) à travers le réducteur de tension avec une distance de 580 mm (23 po) depuis le réducteur de tension jusqu'à l'extrémité du connecteur. Pour plus d'informations sur les différentes options de connectivité réseau, consultez *Installation de la liaison réseau* page 65.
7. Fermez et serrez les trois reliefs de traction.

AXIS T99A10 Positioning Unit 24 V AC/DC



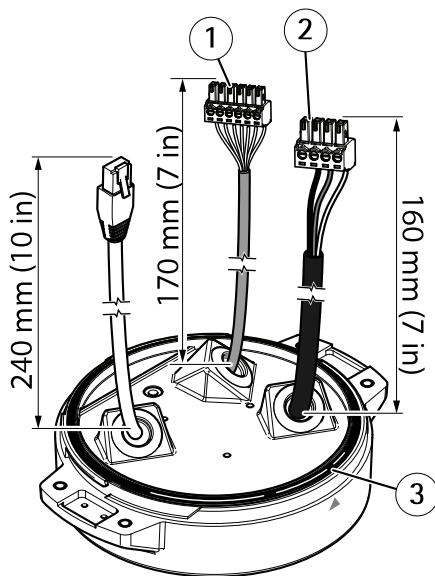
- 1 Câble d'alimentation (non inclus)
- 2 Câble E/S (en option, non fourni)
- 3 Câble réseau (non inclus)
- 4 Joint de câble
- 5 Couvercle transparent de l'unité de base

8. Placez les joints sur les câbles. Cf. *Épaisseur du câble* page 86.
9. Insérez les câbles d'alimentation, d'E/S et réseau y compris les joints à travers les orifices du couvercle transparent de l'unité de base et disposez les câbles comme illustré ci-dessus.

AVIS

Si vous utilisez un câble à fibre optique et un câble RJ45 pour la connectivité réseau, acheminez le câble à fibre optique à travers le même joint que le câble d'E/S. Appliquez un joint entre les câbles et le joint de câble pour empêcher toute fuite. Pour plus d'informations sur les options de connectivité réseau, voir *Installation de la liaison réseau* page 65.

10. Remplacez le couvercle transparent de l'unité de base sur celle-ci et placez les joints dans les orifices.



- 1 Connecteur E/S
- 2 Connecteur d'alimentation
- 3 Joint torique

AVIS

Pour éviter toute déconnexion intempestive, le câble de protection de mise à la terre doit être plus long d'environ 10 mm (3/8 po) que les deux autres fils (dans le câble d'alimentation).

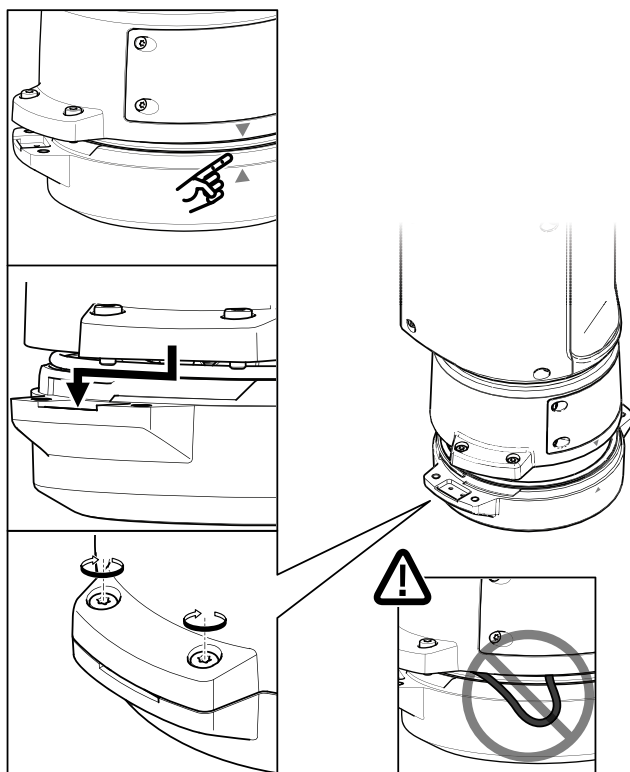
Note

Nous vous recommandons de dénuder environ 90 mm (3½ po) de la gaine du câble d'alimentation et 70 mm (2¾ po) de la gaine de câble d'E/S pour une installation plus facile.

11. Pour installer les connecteurs d'alimentation et d'E/S, voir *Connecteurs* page 82.
12. Réglez les câbles réseau, d'E/S et d'alimentation de sorte que la distance depuis le joint du câble jusqu'à l'extrémité du connecteur soit respectivement de 240 mm (10 po), 170 mm (7 po) et 160 mm (7 po).

AVIS

Assurez-vous que les joints toriques sont correctement fixés autour du couvercle transparent de l'unité de base.

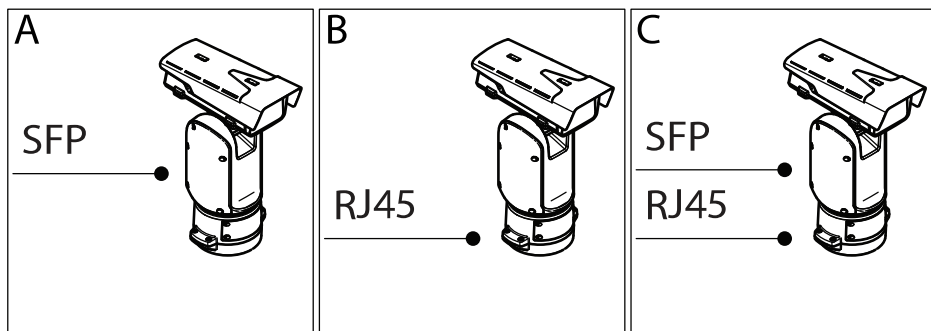


13. Replacez l'unité de positionnement sur l'unité de base en vous assurant que les flèches sur les deux unités sont alignées.
14. Tournez l'unité de positionnement dans le sens des aiguilles d'une montre jusqu'à sa position d'origine et serrez les quatre vis de l'unité de base (couple de 3 Nm).

AVIS

Assurez-vous de ne pas pincer les câbles lors du montage des deux unités.

Installation de la liaison réseau



Vous disposez de plusieurs options pour installer la liaison réseau :

- A : via un câble à fibre optique ou un câble RJ45 raccordé au module SFP (avec connecteur correspondant) sur l'emplacement SFP.
- B : via un câble RJ45 raccordé au connecteur RJ45 fixe.
- C : via les deux solutions ci-dessus, auquel cas le raccordement via le module SFP fonctionne comme la liaison réseau primaire et le raccordement via le connecteur RJ45 fixe comme la liaison de secours.

Pour plus d'informations sur les emplacements des connecteurs réseau, voir *Connecteurs* page 82.

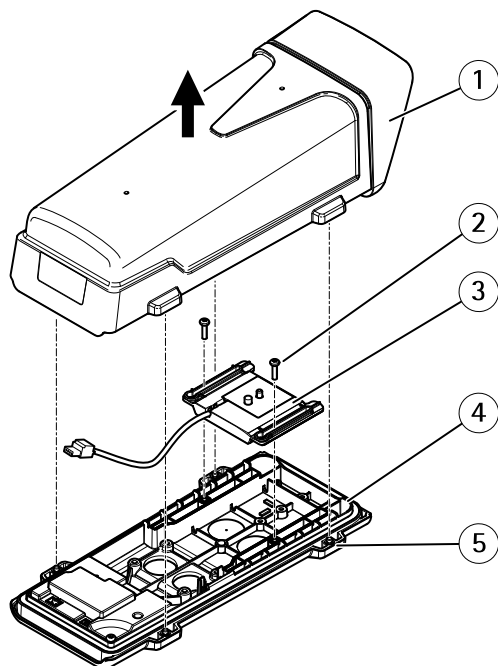
Note

- Le module SFP n'est pas fourni. Pour plus d'informations sur les modules SFP, consultez le site www.axis.com
- L'établissement d'une liaison réseau uniquement via le câble à fibre optique à l'aide du module SFP respectif fonctionne comme une solution autonome pour les installations de câblage longue distance.

Installation de la caméra

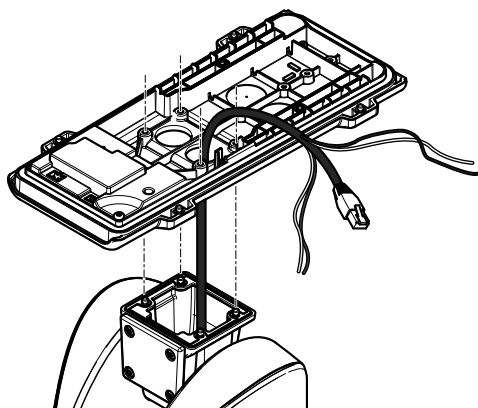
AVIS

Ce produit Axis est compatible avec plusieurs caméras réseau. Pour obtenir une liste complète des caméras prises en charge, consultez www.axis.com.



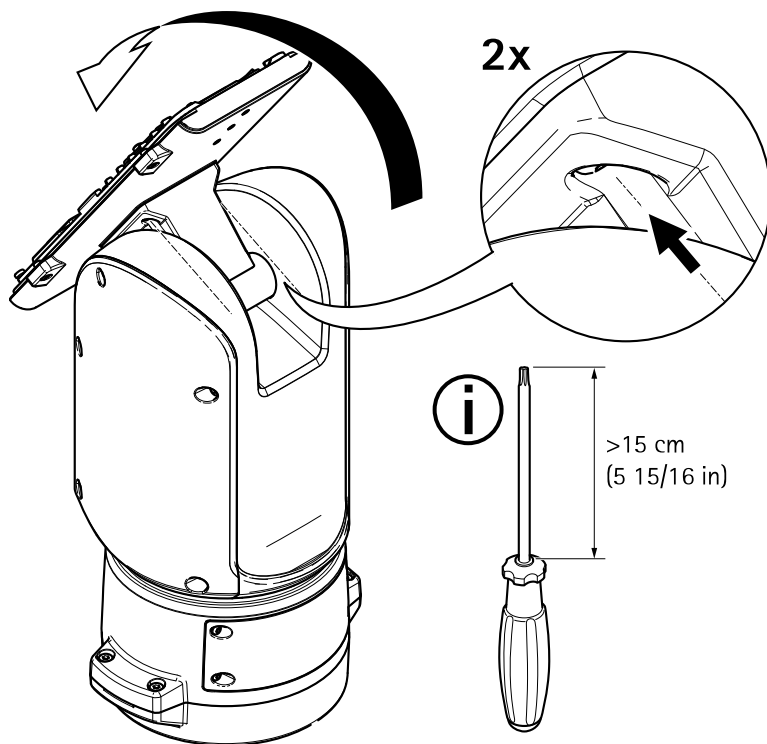
- 1 *Couvercle supérieur du boîtier de caméra*
- 2 *Vis de fixation du chauffage (T20, x2)*
- 3 *Support du régulateur avec régulateur de chaleur*
- 4 *Couvercle inférieur du boîtier de caméra*
- 5 *Vis de couvercle du boîtier de caméra (T20, x4)*

1. Retirez les quatre vis du couvercle du boîtier de caméra (T20) et détachez le couvercle supérieur du couvercle inférieur.
2. Retirez les deux vis de fixation du chauffage (T20) et le chauffage du couvercle inférieur.



FR

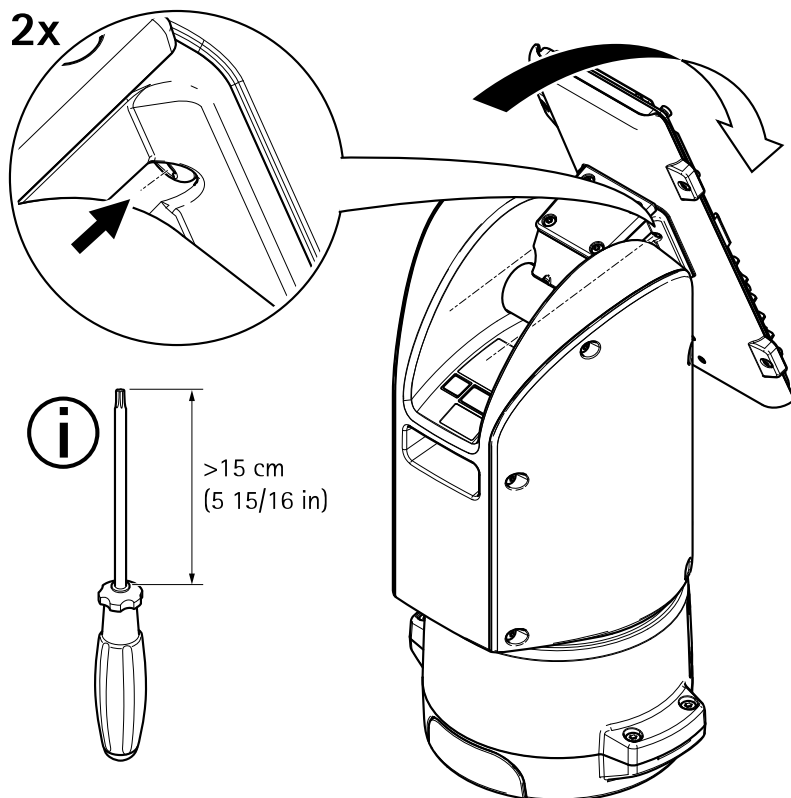
3. Insérez le câble d'interface réseau/alimentation/série à travers le trou du couvercle inférieur.
4. Montez le couvercle inférieur sur l'unité de positionnement.



5. Inclinez le couvercle inférieur vers l'arrière jusqu'à sa position finale et serrez les deux vis avant de l'unité de positionnement (T20, couple 3 Nm).

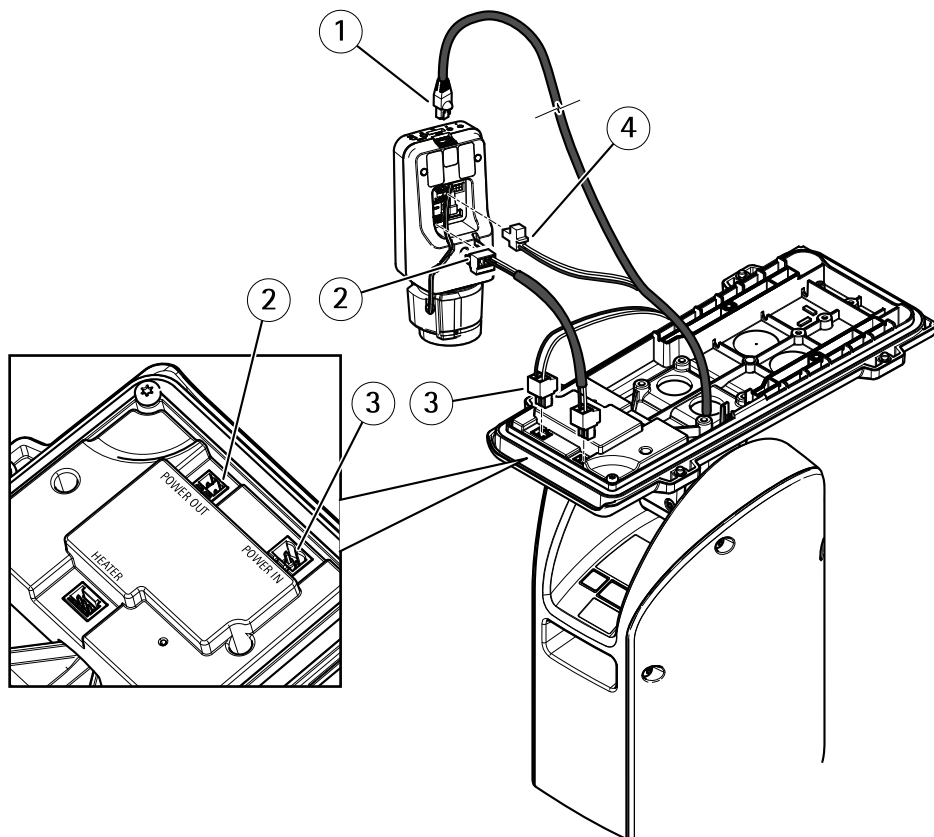
AVIS

Pour atteindre les vis de l'unité de positionnement, utilisez un tournevis avec une tige suffisamment longue (voir l'image ci-dessus).

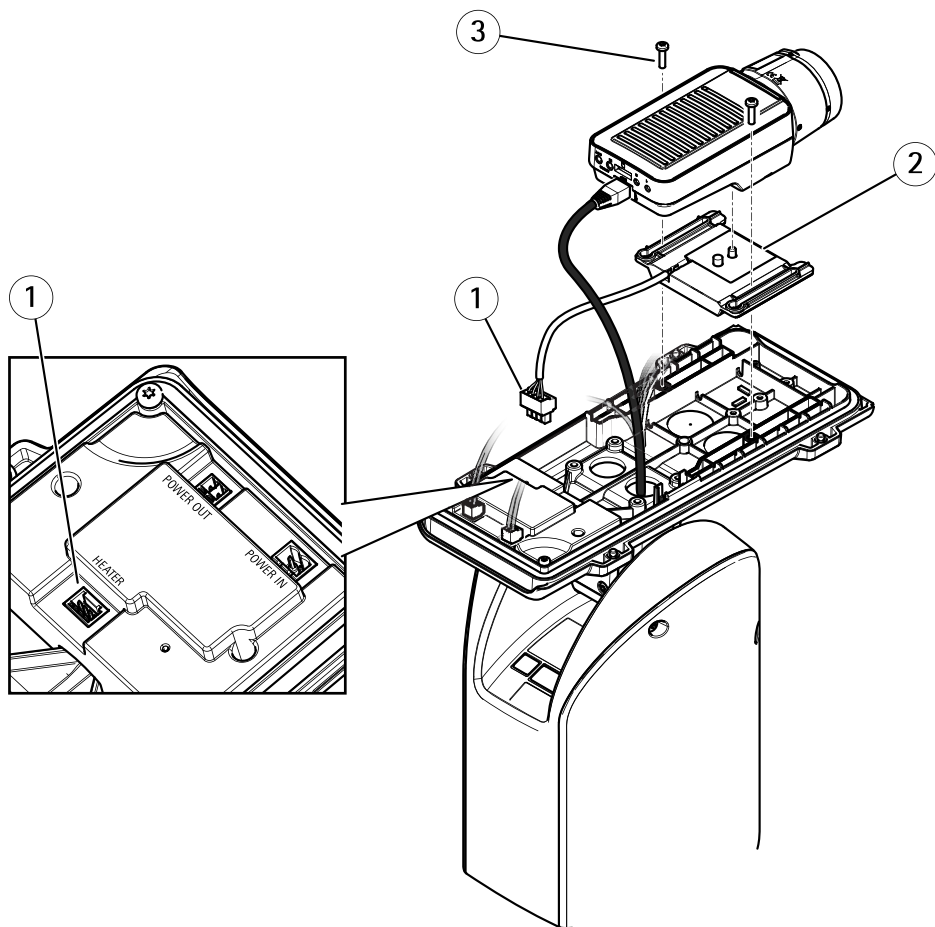


6. Inclinez le couvercle inférieur vers sa position finale et serrez les deux vis arrière de l'unité de positionnement (T20, couple 3 Nm).

AXIS T99A10 Positioning Unit 24 V AC/DC

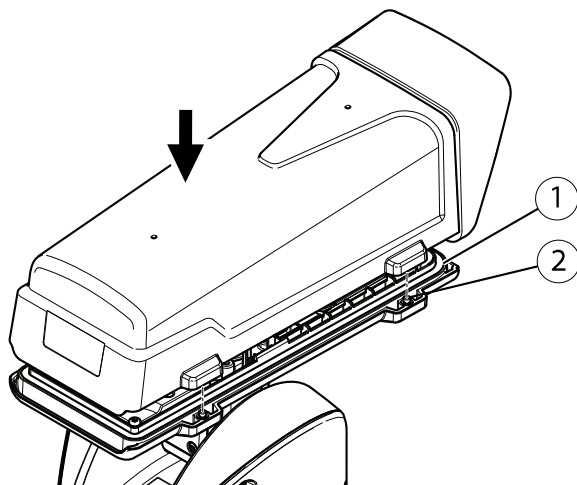


- 1 Câble de réseau de caméra
 - 2 Câble d'alimentation de caméra du couvercle inférieur à la caméra (câble non inclus, connecteur inclus)
 - 3 Câble d'alimentation de l'unité de positionnement au couvercle inférieur (câble et connecteur fournis)
 - 4 Câble interface série de la caméra (connecteur non fourni)
7. Branchez les câbles réseau, interface série et d'alimentation. Pour plus d'informations concernant les caractéristiques techniques des câbles, consultez *Câble électrique de la caméra* page 86 et *Câble interface série de la caméra* page 86.



- 1 Connecteur et câble du régulateur de chaleur
- 2 Support du régulateur avec régulateur de chaleur
- 3 Vis du support du régulateur de chaleur (T20, x2)

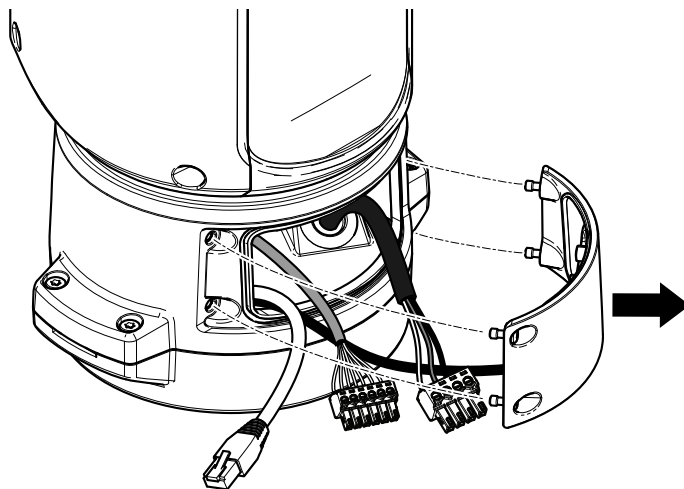
- 8. Montez le support du régulateur de chaleur à la caméra.
- 9. Montez le support du régulateur de chaleur de la caméra à la partie inférieure du boîtier de la caméra et serrez les deux vis du support du régulateur (T20, couple de serrage 0,5 Nm).
- 10. Branchez le câble du régulateur de chaleur.



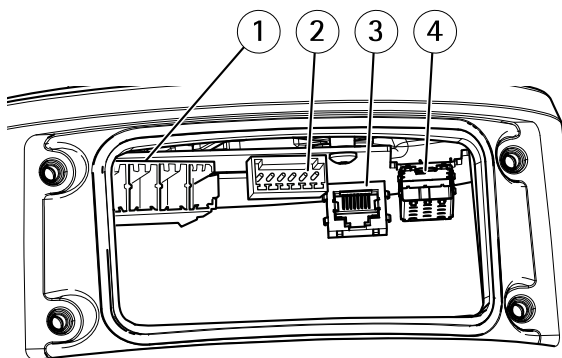
- 1 *Joint du couvercle inférieur*
- 2 *Vis du couvercle du boîtier de la caméra (T20, x4)*

11. Montez le couvercle supérieur au couvercle inférieur, puis serrez en alternance les quatre vis du couvercle de quelques tours à la fois jusqu'à ce que toutes les vis soient bien serrées (T20, couple de serrage 1,5 Nm). Cela permet de garantir que le joint du couvercle inférieur est comprimé de façon régulière.

Branchez les câbles



1. Desserrez les quatre vis du couvercle (T20) et retirez le couvercle.



- 1 Connecteur d'alimentation d'entrée
- 2 Connecteur E/S
- 3 Connecteur RJ45
- 4 Emplacement SFP pour module SFP (module SFP non inclus)

2. Branchez le câble réseau (fibre optique et/ou RJ45), E/S et d'alimentation. Pour plus d'informations sur les options de connectivité réseau, voir *Installation de la liaison réseau* page 65.

3. Remplacez le couvercle, puis serrez les quatre vis du couvercle (couple de serrage 3,0 Nm).
4. Mettez le produit sous tension.

Installation du pilote PTZ

Cet produit est compatible avec plusieurs appareils. Pour connaître la liste complète des appareils pris en charge, consultez le site axis.com.

Important

Il est possible que certaines caméras doivent être installées à l'envers dans le boîtier de caméra, et certaines peuvent utiliser la fonction rotation automatique. Avant d'installer le pilote PTZ, modifiez les paramètres d'image de la vidéo en direct de votre caméra pour faire pivoter l'image, puis désactivez la rotation automatique.

1. Accédez à la page Web de la caméra.
2. Dans l'Assistant d'installation, accédez à **Sélectionne un mode PTZ** et sélectionnez **Pilote PTZ** dans la liste déroulante.
3. Une fois que vous avez accédé à la vidéo en direct, accédez à **Paramètres > Système > Accessoires**.
4. Sélectionnez l'une des actions suivantes :
 - 4.1 Si le pilote PTZ n'est pas téléchargé, sélectionnez **Télécharger le pilote**.
 - 4.2 Si vous téléchargez le pilote PTZ, accédez à **Sélectionner le pilote à utiliser** et sélectionnez **Pilote PTZ** dans la liste déroulante.
5. Sélectionner un canal vidéo.
6. Saisissez l'ID du périphérique et sélectionnez **Type de périphérique** dans la liste déroulante. Pour déterminer le type d'appareil à utiliser, consultez la documentation fournie avec le pilote PTZ.
7. Accédez à l'onglet PTZ et vérifiez que les paramètres PTZ sont disponibles.

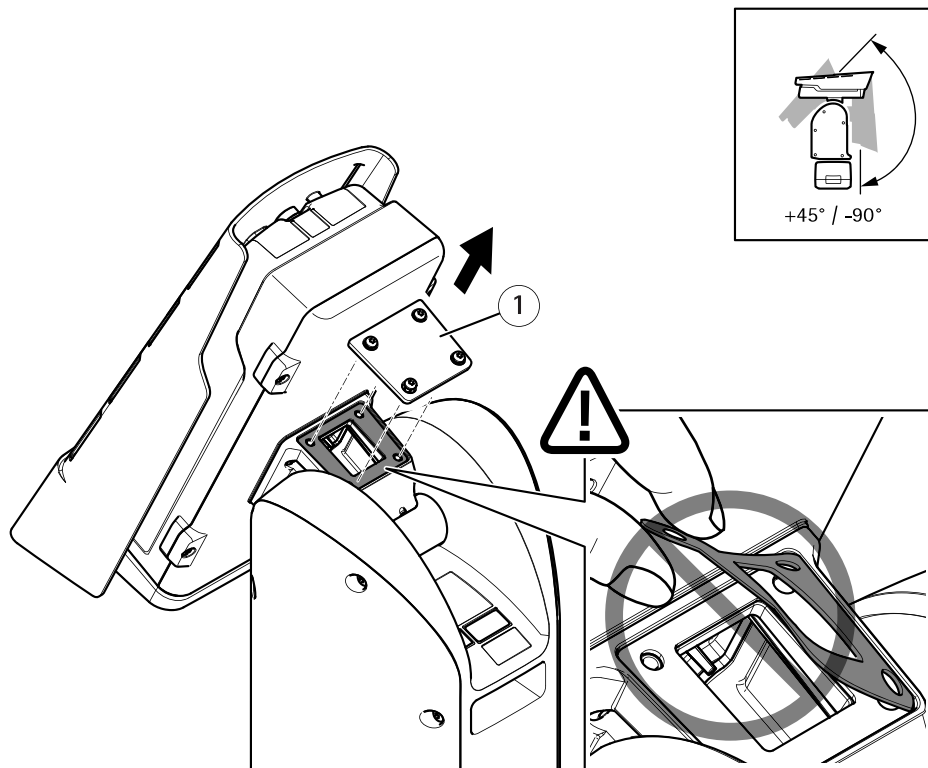
Installer le kit du projecteur (installation par défaut)

⚠ AVERTISSEMENT

- Risque de choc électrique. Assurez-vous que l'alimentation est débranchée.
- L'émission de lumière infrarouge (groupe de risque 2) des projecteurs peut être dangereuse pour les yeux. Suivez attentivement les recommandations. Pour éviter le risque de lésions oculaires, évitez toute exposition prolongée des yeux et utilisez un dispositif de protection ou une protection pour les yeux pour les distances inférieures à 1,5 m (4,9 pi).

⚠ ATTENTION

En fonctionnement normal, il est possible que la surface de l'éclairage atteigne des températures élevées. Évitez tout contact direct et placez l'appareil à un endroit inaccessible au personnel non autorisé. Avant de le toucher, mettez l'éclairage hors tension et laissez-le refroidir pendant au moins 10 minutes.



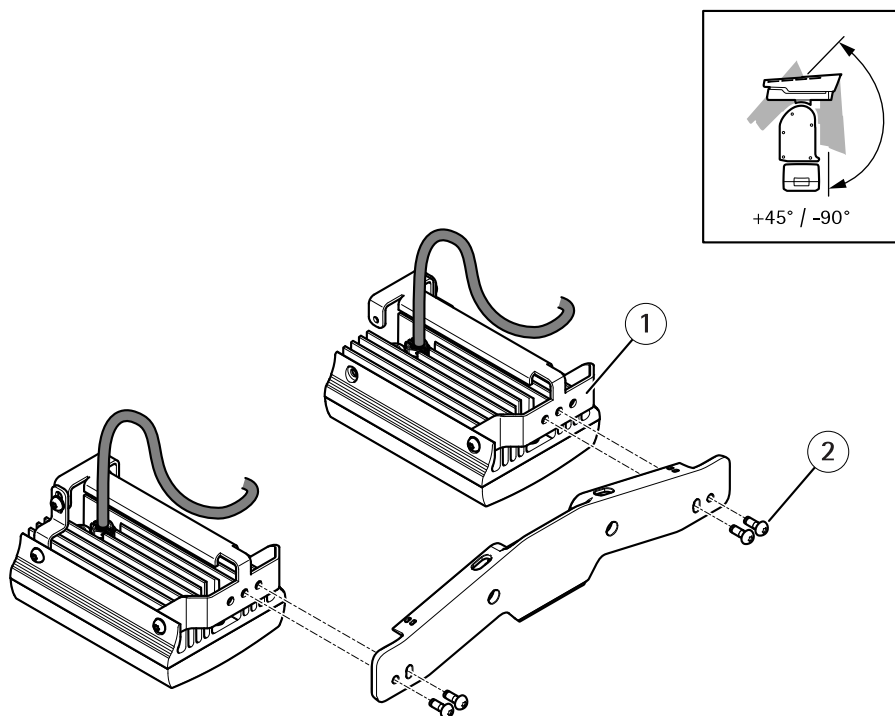
1 Couvercle

1. Retirez les quatre vis du couvercle supérieur (T20) et le couvercle.

Important

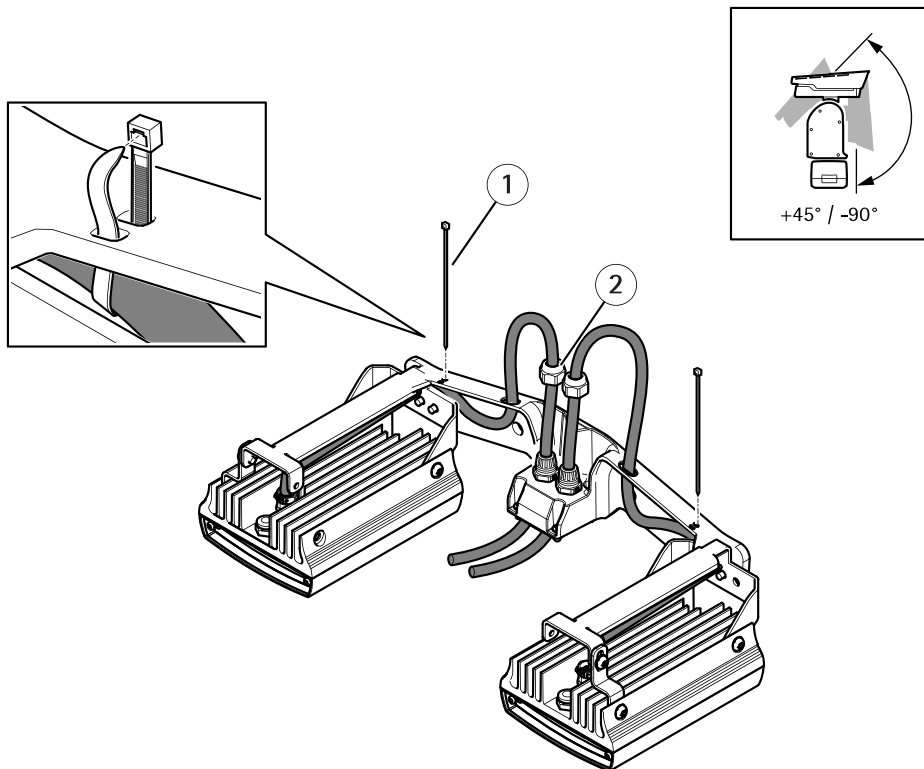
Assurez-vous que le joint sous le couvercle reste en place.

AXIS T99A10 Positioning Unit 24 V AC/DC



- 1 Projecteur (x2)
- 2 Vis (M6, x4)

2. Fixez les projecteurs au support de projecteur à l'aide des quatre vis.

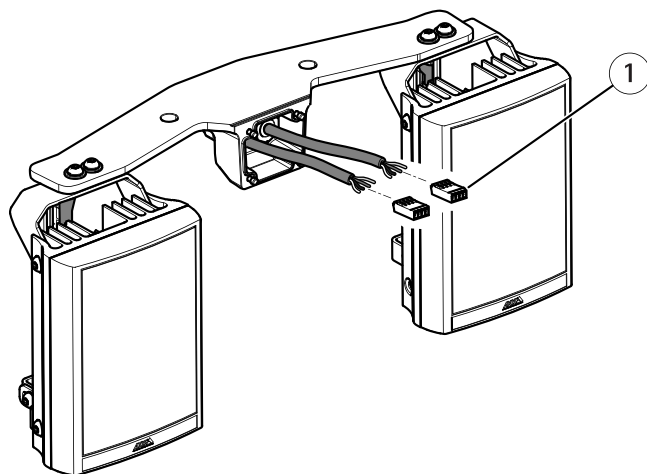
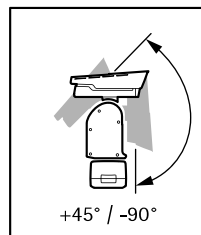


FR

- 1 Frette de câbles (x2)
- 2 Écrou borgne (x2)

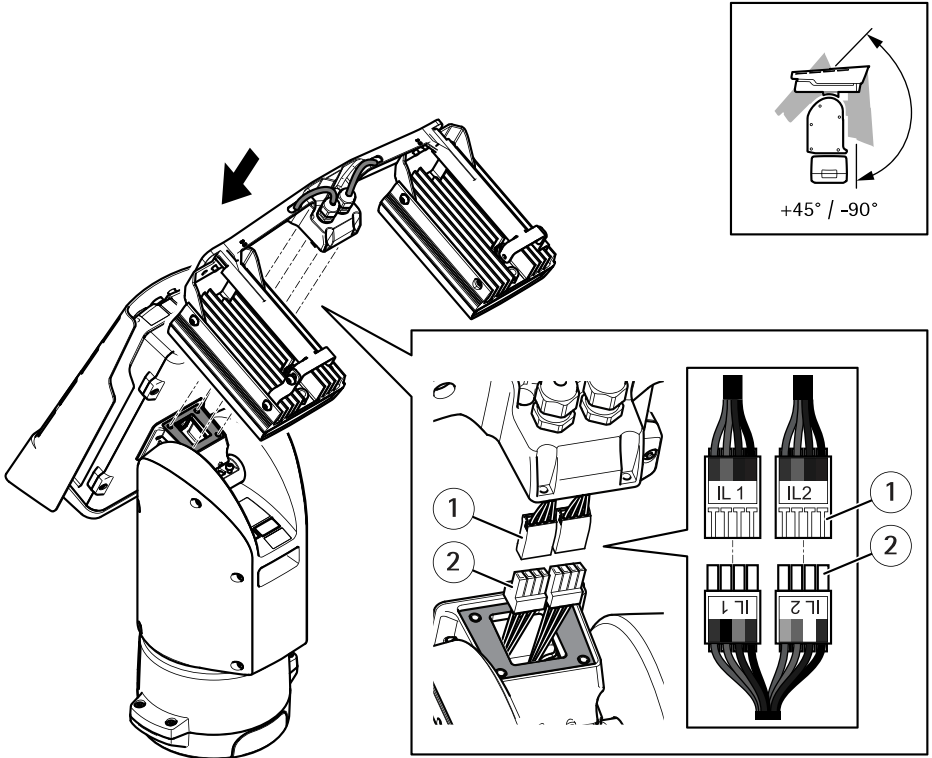
3. Acheminez les câbles comme indiqué dans l'illustration ci-dessus et serrez les écrous borgne (couple de serrage 1,5 Nm).
4. Attachez les câbles au support d'illuminateurs à l'aide des attaches de câble.

AXIS T99A10 Positioning Unit 24 V AC/DC



1 Connecteur d'illuminateur (x2)

5. Installez les connecteurs. Cf. *Connecteurs* page 82.



- 1 Connecteur de l'illuminateur (x2)
- 2 Connecteur de l'unité de positionnement (x2)

6. Branchez les câbles. Consultez *Connecteurs* page 82.
7. Fixez le support de l'illuminateur à l'unité de positionnement à l'aide des quatre vis (T20, couple 3 Nm).

Note

Pour plus d'informations sur l'utilisation des illuminateurs, reportez-vous au manuel de l'illuminateur LED (vérifiez le modèle sur l'étiquette du produit) et au Manuel de l'utilisateur de votre produit Axis compatible sur www.axis.com

Activer le kit d'éclairage

Note

Cette action ne peut se faire que si vous avez installé le kit d'éclairage.

Important

Ces instructions concernent uniquement les firmware de périphériques antérieurs à la v8.40.

1. Accédez à la page Web du produit.
2. Allez à **Configuration > PTZ > Avancé > Périphérique > Paramètres spécifiques du pilote étendu pour Source vidéo 1**.
3. Pour **Éclairage > type IL1** :
 - Sélectionnez **IR** si vous avez connecté un éclairage infrarouge
 - Sélectionnez **Blanc** pour un éclairage à lumière blanche
4. Répétez l'étape ci-dessus pour **Éclairage > Type IL2**.

Important

Ces instructions concernent uniquement les firmware de périphériques de la v8.40 ou ultérieurs.

1. Accédez à la page Web du produit.
2. Accédez à **Paramètres > Systèmes > Accessoires**.
3. Pour **Éclairage > type IL1** :
 - Sélectionnez **IR** si vous avez connecté un éclairage infrarouge
 - Sélectionnez **Blanc** pour un éclairage à lumière blanche
4. Répétez l'étape ci-dessus pour **Éclairage > Type IL2**.

Installation d'une carte SD (facultatif)

Une carte SD standard ou à haute capacité (non fournie) peut être utilisée pour sauvegarder des enregistrements dans l'appareil. Consultez *Caractéristiques page 82* avant d'installer la carte SD.

1. Débranchez le produit du secteur.
2. Retirez les quatre vis du couvercle supérieur et le couvercle supérieur.
3. Insérez une carte SD dans la fente pour carte SD ; pour en savoir plus consultez *Aperçu du matériel page 54*.
4. Remettez le cache supérieur, puis serrez les vis (couple de serrage 3,0 Nm).
5. Remettez le produit sous tension.

Informations complémentaires

- Pour la dernière version de ce document, consultez le site www.axis.com
- Pour vérifier si des mises à jour des logiciels sont disponibles pour votre appareil réseau, consultez le site www.axis.com/techsup.
- Pour en savoir plus sur les formations, les webinaires, les tutoriels et les guides, visitez le site www.axis.com/academy.

Accessoires en option

Pour une liste complète des accessoires disponibles pour ce produit, accédez à la page du produit sur axis.com et sélectionnez Logiciel et accessoires.

Informations sur la garantie

Pour plus d'informations sur la garantie du produit Axis et des informations connexes, rendez-vous sur axis.com/warranty.

Caractéristiques

Pour obtenir la dernière version de la fiche technique du produit, rendez-vous sur la page du produit sur le site axis.com et trouvez l'option **Support & Documentation (Assistance et documentation)**.

Connecteurs

Connecteur réseau

Connecteur Ethernet RJ45.

Connecteur SFP.

AVIS

Le produit doit être connecté à l'aide d'un câble réseau blindé (STP) ou d'un câble à fibres optiques. Tous les câbles reliant le produit au commutateur réseau doivent être destinés à leur usage spécifique. Assurez-vous que les périphériques réseau sont installés conformément aux instructions du fabricant. Pour plus d'informations sur les exigences réglementaires, consultez *Electromagnetic compatibility (EMC) on page 8*.

Connecteur d'E/S

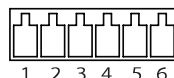
Utilisez le connecteur d'E/S avec des périphériques externes, associés aux applications telles que la détection de mouvement, le déclenchement d'événements et les notifications d'alarme. En plus du point de référence 0 V CC et de l'alimentation (sortie CC), le connecteur d'E/S fournit une interface aux éléments suivants :

Entrée numérique – Pour connecter des dispositifs pouvant passer d'un circuit ouvert à un circuit fermé, par exemple capteurs infrarouge passifs, contacts de porte/fenêtre et détecteurs de bris de verre.

Sortie numérique – Permet de connecter des dispositifs externes, comme des relais ou des voyants. Les appareils connectés peuvent être activés par l'interface de programmation VAPIX® ou à partir de la page Web du produit.

Un capteur de lumière numérique – Pour recevoir une valeur de l'intensité lumineuse ambiante depuis un capteur de lumière externe. Cette valeur est utilisée pour contrôler la fonction jour/nuit.

Bloc terminal configurable à 6 broches

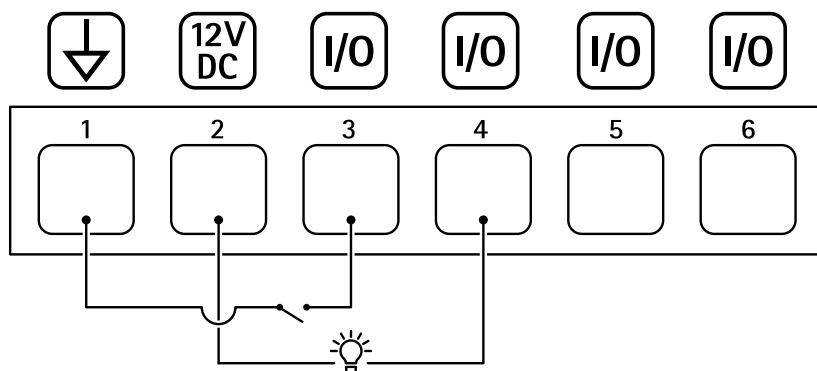


AXIS T99A10 Positioning Unit 24 V AC/DC

Fonction	Broche	Remarques	Caractéristiques
Masse du CC	1		0 V CC
Sortie CC	2	Peut servir à alimenter le matériel auxiliaire. Remarque : cette broche ne peut être utilisée que comme sortie d'alimentation.	12 V CC Charge max. = 50 mA
Configurable (entrée ou sortie)	3-6	Entrée numérique - Connectez-vous à la broche 1 pour activer ou laissez non connecté pour désactiver.	0 à 30 V CC max.
		Sortie numérique - Connexion interne à la broche 1 (terre CC) en cas d'activation, et flottante (déconnectée) en cas de désactivation. En cas d'utilisation avec une charge inductive, par exemple un relais, connectez une diode en parallèle à la charge pour assurer la protection contre les transitoires de tension.	0 à 30 V CC max., drain ouvert, 100 mA

FR

Exemple



- 1 Masse du CC
- 2 Sortie CC 12 V, maxi. 50 mA
- 3 Entrée/sortie configurée comme entrée
- 4 Entrée/sortie configurée comme sortie
- 5 E/S configurable
- 6 E/S configurable

AXIS T99A10 Positioning Unit 24 V AC/DC

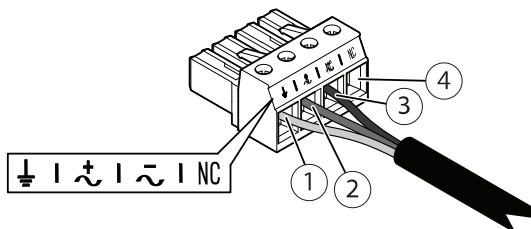
Connecteur d'alimentation

Bloc terminal à 4 broches pour l'alimentation.

Connecteur d'alimentation 24 V CA/CC

AVIS

Cette section concerne les produits alimentés en 24 V CA et 24 V CC uniquement.



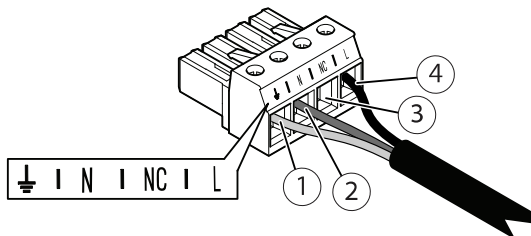
Ce tableau concerne uniquement les connecteurs d'alimentation 24 V CA et 24 V CC.

Position	24 V CA	24 V CC
1	Terre de protection	Terre de protection
2	Phase 24 V CA	+ 24 V
3	24 V CA Neutre	0 V
4	Non connecté	Non connecté

Connecteur d'alimentation 240 V CA)

AVIS

Cette section concerne les produits alimentés en 100–240 V CA uniquement.



AXIS T99A10 Positioning Unit 24 V AC/DC

Ce tableau concerne uniquement le connecteur d'alimentation 240 V CA.

Position	100-240 V CA
1	Terre de protection
2	240 V CA Neutre
3	Non connecté
4	Phase 240 V CA

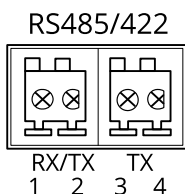
FR

Connecteur RS485/RS422

Deux blocs terminaux à 2 broches pour l'interface série RS485/RS422 utilisée pour commander les équipements auxiliaires, tels que les dispositifs panoramique/inclinaison.

Le port série peut être configuré pour la prise en charge de :

- RS485 semi-duplex sur deux fils
- RS485 duplex intégral sur quatre fils
- RS422 simplex sur deux fils
- RS422 duplex intégral sur quatre fils pour communication point à point



Fonction	Broche	Notes
RS485/RS422 RX/TX A	1	(RX) Pour duplex intégral RS485/RS422 (RX/TX) pour semi-duplex RS485
RS485/RS422 RX/TX B	2	
RS485/RS422 TX A	3	(TX) Pour duplex intégral RS485/RS422
RS485/RS422 TX B	4	

Câbles

Épaisseur du câble

Le diamètre du câble, lors de l'utilisation de joints de câble fournis avec le produit, doit être comprise entre 5 et 11 mm (0,2 à 0,4 po).

AVIS

- Utilisez des câbles adaptés à la zone spécifiée
- Sélectionnez des câbles conformes à la législation locale
- Assurez-vous que les passages de câbles sont correctement scellés
- Utilisez des joints de câble et des presse-étoupes adaptés aux passages de câbles et à la zone de câble

Pour plus d'informations sur les accessoires, tels que les joints de câble et les presse-étoupes adaptés à d'autres zones de câble, consultez www.axis.com

Câble interface série de la caméra

Couleur du câble	Caractéristiques techniques
Blanc	RS485A
Vert	RS485B

Câble électrique de la caméra

Couleur du câble	Caractéristiques techniques
Rouge	+ 24 V CC
noir	0 V

Conditions de fonctionnement

Ce produit Axis est destiné à être utilisé à l'intérieur et à l'extérieur.

Température	Humidité
Normale : -50 °C à 60 °C (-58 °F à 140 °F)	10 à 100 % HR (sans condensation)
Maximale (intermittente) : 65 °C (149 °F)	
Démarrage à froid : -40 °C à 60 °C (-40 °F à 140 °F)	

Le temps de démarrage est de 2 minutes de 0°C à 50°C (32°F à 122°F).

Consommation d'énergie

Consommation type	Consommation maximale
10 W	169 W

FR

Important

En cas d'utilisation d'un câble AXIS de 22 m (72 pi) 24 V CC/24–240 V CA, une alimentation capable de fournir 220 W est nécessaire pour compenser la perte d'alimentation dans le câble.

AVIS

Les valeurs typiques de consommation d'énergie sont basées sur ce qui suit :

- Toute perte dans le câble d'alimentation non prise en compte
- Aucun positionnement actif
- Température à 25 °C / 77 °F (tous chauffages éteints)
- Un flux H.264 à résolution maximale
- Flux MJPEG enregistré sur la carte SD

Sicherheitsinformationen

Gefährdungsstufen

▲GEFAHR

Weist auf eine gefährliche Situation hin, welche, falls nicht verhindert, zu Tod oder schweren Verletzungen führen kann.

▲WARNUNG

Weist auf eine gefährliche Situation hin, welche, falls nicht verhindert, zu Tod oder schweren Verletzungen führen kann.

▲VORSICHT

Weist auf eine gefährliche Situation hin, welche, falls nicht verhindert, zu geringfügiger oder mäßiger Verletzung führen kann.

HINWEIS

Weist auf eine gefährliche Situation hin, welche, falls nicht verhindert, zu Sachschäden führen kann.

DE

Andere Meldeebenen

Wichtig

Weist auf wichtige Informationen hin, die den richtigen Betrieb des Produkts gewährleisten.

Beachten

Weist auf nützliche Informationen hin, die die optimale Verwendung des Produkts unterstützen.

Sicherheitsanweisungen


⚠GEFAHR

Stromschlaggefahr. Vor der Installation oder Wartung des Produkts muss sichergestellt werden, dass an keinem der Kabel Spannung anliegt.


⚠WARNUNG

Das Axis Produkt muss von fachmännisch geschultem Personal und unter Einhaltung der örtlich geltenden Bestimmungen installiert werden.

⚠VORSICHT

 Verletzungsgefahr Gefahr durch bewegliche Teile Körperteile während des Betriebs vom Produkt fernhalten. Vor der Installation oder Wartung des Produkts alle Kabel von der Stromversorgung abklemmen.

⚠VORSICHT

 Verletzungsgefahr Heiße Oberfläche Das Produkt während des Betriebs nicht berühren. Trennen Sie vor Wartungsarbeiten die Stromversorgung und lassen Sie die Oberflächen des Produkts abkühlen.

HINWEIS

- Das Axis-Produkt muss unter Beachtung der geltenden Gesetze und Bestimmungen betrieben werden.
- Lagern Sie das Axis Produkt in einer trockenen und belüfteten Umgebung.
- Das Axis-Produkt weder Stößen noch starkem Druck aussetzen.
- Das Produkt nicht an instabilen Masten, Halterungen, Oberflächen oder Wänden anbringen.
- Verwenden Sie bei der Installation des Axis Produkts ausschließlich passende Werkzeuge. Ein zu großer Kraftaufwand mit elektrischen Werkzeugen kann das Produkt beschädigen.
- Verwenden Sie keine chemischen, ätzenden oder aerosolhaltigen Reinigungsmittel.
- Verwenden Sie zum Reinigen ein sauberes, mit destilliertem Wasser angefeuchtetes Tuch.
- Verwenden Sie nur Zubehör, das den technischen Vorgaben Ihres Produkts entspricht. Dieses ist von Axis oder Drittanbietern erhältlich. Axis empfiehlt die mit Ihrem Produkt kompatible Stromversorgung von Axis.
- Verwenden Sie ausschließlich Ersatzteile die von Axis angeboten oder empfohlen werden.
- Versuchen Sie nicht, dieses Produkt selbsttätig zu reparieren. Wenden Sie sich bezüglich Reparatur und Wartung an den Axis Support oder Ihren Axis Händler.
- Richten Sie das Kameraobjektiv nicht direkt auf die Sonne oder andere starke Lichtquellen, um eine Beschädigung der Kamera zu vermeiden.
- Verwenden Sie ein gelb/grün gekennzeichnetes Erdungskabel mit einem Querschnitt von mindestens 0,5 mm².

Transport

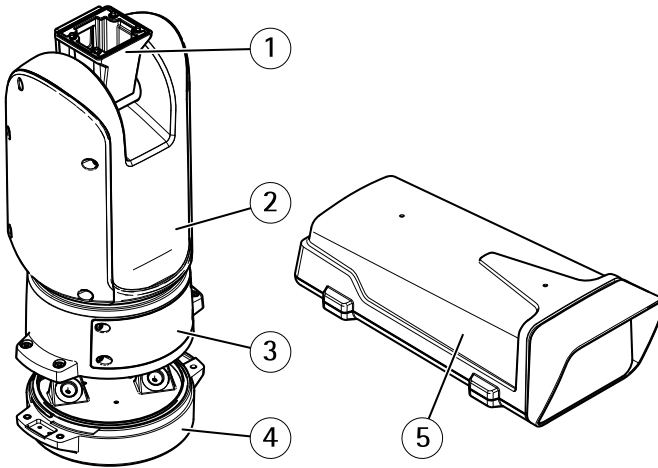
HINWEIS

- Bei Bedarf transportieren Sie das Axis Produkt in der Originalverpackung oder einer entsprechenden Verpackung, so dass Schäden vermieden werden.

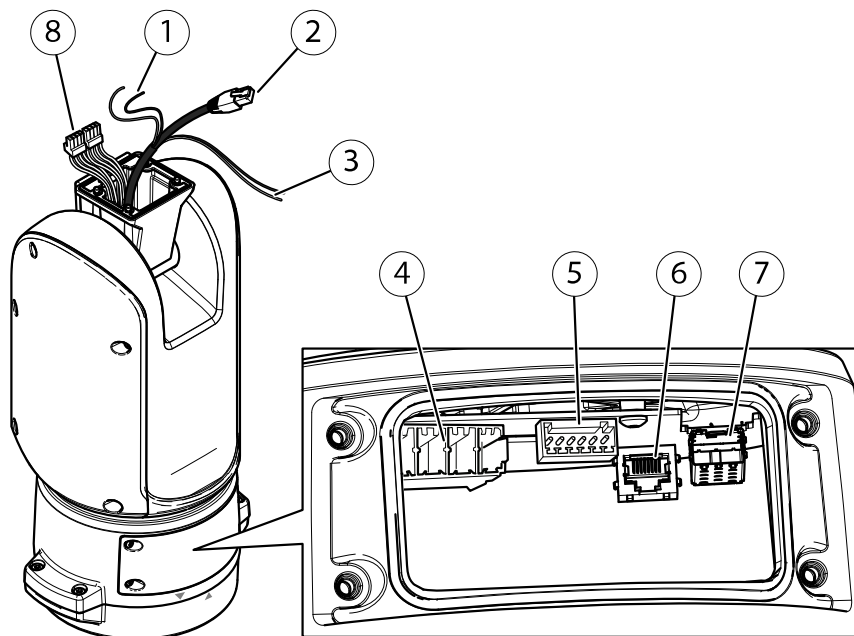
Lieferumfang

- Positionierungseinheit
- Kameragehäuse
- Netzanschluss
- E/A-Anschluss
- Torx® Bits T20 und T30
- Gedruckte Dokumente
 - Installationsanleitung (dieses Dokument)
 - Zusätzliche Etiketten mit der Seriennummer (2 x)
 - AVHS-Authentifizierungsschlüssel

Übersicht über die Hardware



- 1 *Positionierungseinheit (Neigen)*
- 2 *Positionierungseinheit (Schwenken)*
- 3 *Deckel*
- 4 *Basisgerät*
- 5 *Kameragehäuse*



DE

- 1 *Stromversorgungskabel der Kamera*
- 2 *Netzwerkabel der Kamera*
- 3 *Serielles Schnittstellenkabel der Kamera*
- 4 *Stromversorgungsanschluss Eingang*
- 5 *E/A-Anschluss*
- 6 *Anschluss RJ-45*
- 7 *SFP-Einschub für SFP-Glasfasermodule (SFP-Modul nicht enthalten)*
- 8 *Strahlerkabel*

Installieren des Produkts

Grundlegende Installationsschritte

1. *Montieren der Gerätebasis*
2. *Die Kabel verlegen*
3. *Einrichten der Netzwerkverbindung*
4. *Installieren der Kamera*
5. *Anschließen der Kabel*
6. *Installieren des PTZ-Treibers*
7. *Installieren des Strahlersatzes (Standardinstallation)*
8. *Aktivieren der Strahler-Ausrüstung*
9. *Installieren einer SD-Speicherkarte (optional)*


⚠GEFAHR

Stromschlaggefahr Vor der Installation oder Wartung des Produkts müssen alle Kabel von der Stromversorgung abgeklemmt werden.


⚠VORSICHT

Die Installation der elektrischen Anschlüsse und Kabelkanäle darf nur von einem zugelassenen Elektriker in Übereinstimmung mit den geltenden Bestimmungen vorgenommen werden.

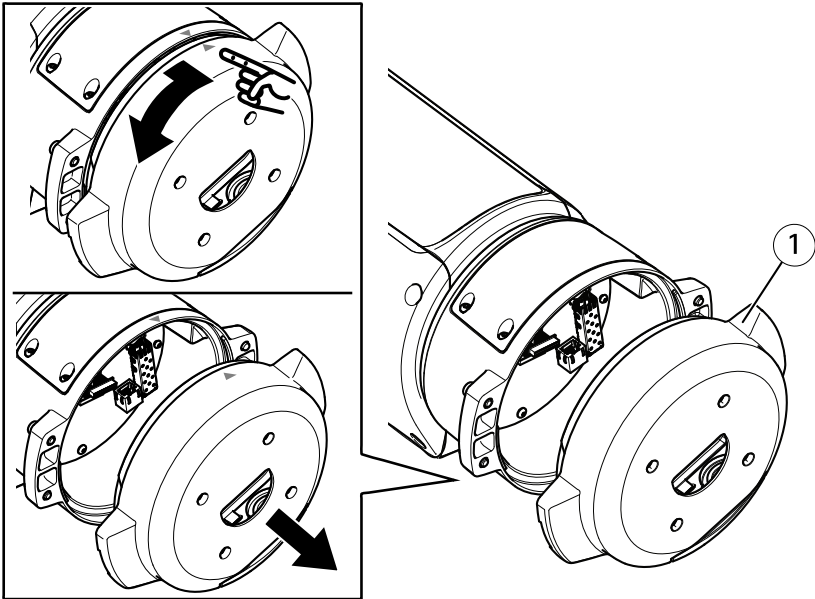
⚠VORSICHT

 Verletzungsgefahr Gefahr durch bewegliche Teile Körperteile während des Betriebs vom Produkt fernhalten. Vor der Installation oder Wartung des Produkts alle Kabel von der Stromversorgung abklemmen.

⚠VORSICHT

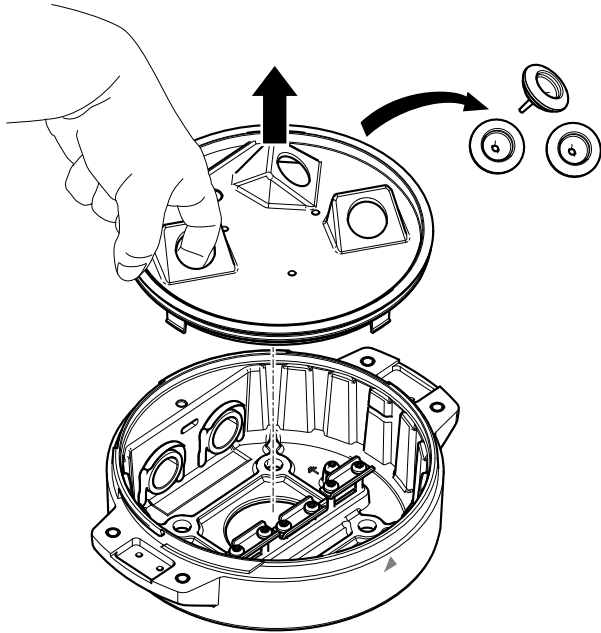
 Verletzungsgefahr Heiße Oberfläche Das Produkt während des Betriebs nicht berühren. Vor der Wartung des Produkts die Oberflächen abkühlen lassen.

Montieren der Gerätebasis



1 Gerätebasis

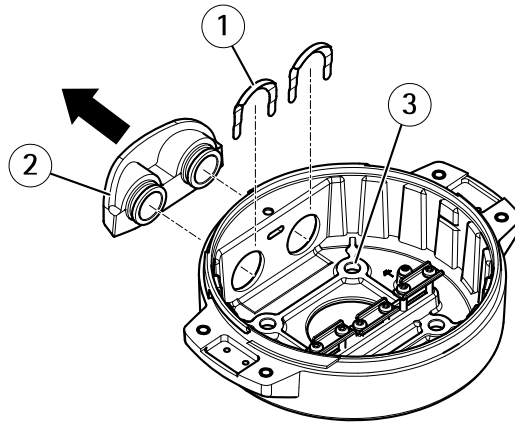
1. Die vier Schrauben (T30) der Gerätebasis entfernen.
2. Die Gerätebasis gleichzeitig ziehen und gegen den Uhrzeigersinn drehen, bis die Pfeile auf der Gerätebasis und dem Rest des Geräts in einer Linie stehen.
3. Die Gerätebasis entfernen.



HINWEIS

Beim Entfernen der transparenten Abdeckung der Gerätebasis keine spitzen Werkzeuge verwenden.

4. Die transparente Abdeckung der Gerätebasis entfernen.



DE

- 1 Klammer der Kabelführung
- 2 Abdeckung der Kabelführung
- 3 Schraubenbohrung (4 x)

5. Nur bei Installationen über die Kabelführung: Zuerst die beiden Klammern der Kabelführung und anschließend die Abdeckung der Kabelführung entfernen.
6. Die Gerätebasis mit geeigneten Befestigungselementen für die vier Schraubenbohrungen an der Befestigungsfläche anbringen.

Die Kabel verlegen

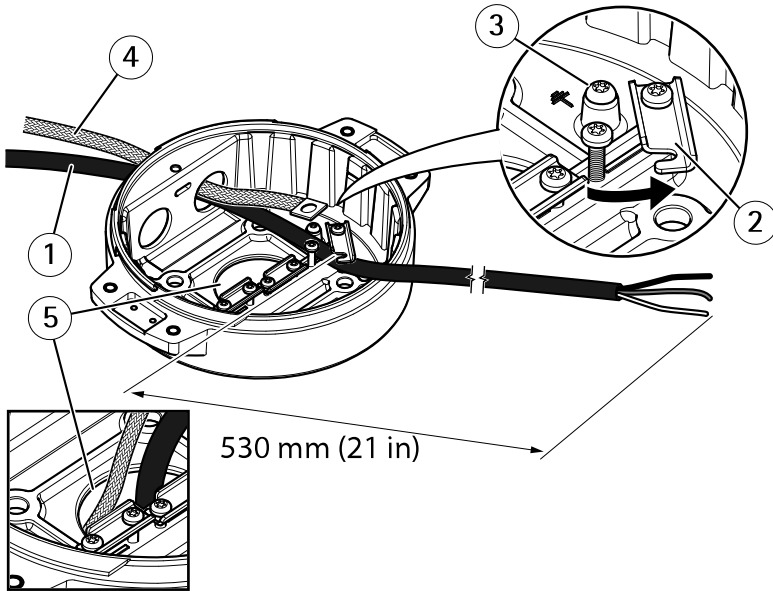
▲WARNUNG

Stromschlaggefahr Das Produkt muss geerdet werden. Dazu müssen sowohl der Schutzleiter im Stromversorgungskabel als auch das Erdungsband verwendet werden. Sicherstellen, dass beide Enden des Schutzleiters und des Erdungsbandes Kontakt mit den entsprechenden Erdungsflächen haben.

Wichtig

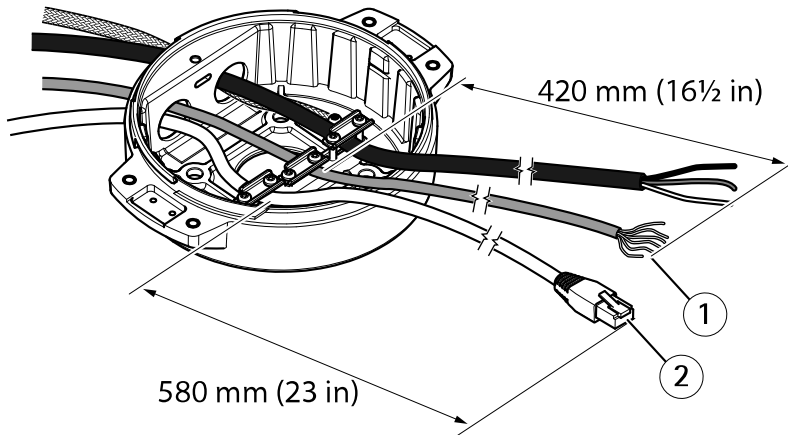
Nur Kabel mit dem vorgegebenen Kabelquerschnitt verwenden. Weitere Informationen finden Sie unter *Kabelstärke auf Seite 126*.

AXIS T99A10 Positioning Unit 24 V AC/DC



- 1 Stromversorgungskabel (nicht im Lieferumfang enthalten)
- 2 Zulentlastung
- 3 Masseschraube
- 4 Erdungsband (nicht im Lieferumfang enthalten)
- 5 Kabelöffnung unten

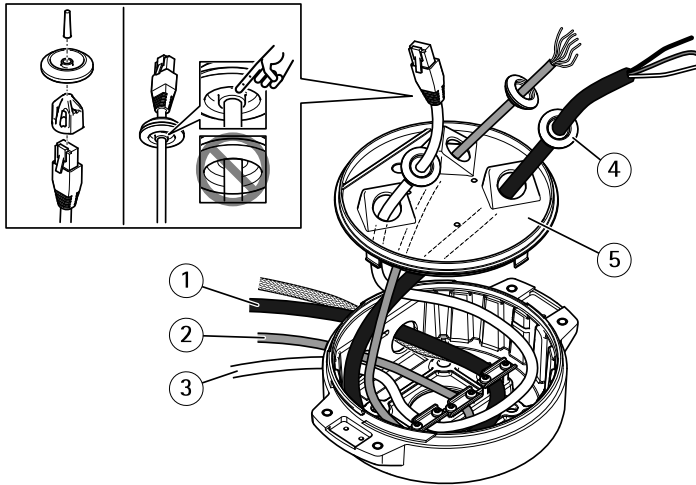
1. Die optionalen Kabelführungsadapter installieren (nicht im Lieferumfang enthalten).
2. Das Erdungskabel mit der Erdungsschraube befestigen.
3. Die Kabel für Stromversorgung, Netzwerk und E/A einschließlich der Kabelverschraubungen wie in der Abbildung oben durch die Öffnung des Basisgeräts führen. Alternativ die Kabel durch die untere Kabelöffnung einführen.
4. Das Stromversorgungskabel durch die Zulentlastung führen. Dabei eine Länge von 530 mm zwischen Zulentlastung und Kabelende einhalten.



DE

- 1 E/A-Kabel (optional, nicht im Lieferumfang enthalten)
- 2 Netzwerkkabel (nicht im Lieferumfang enthalten)

5. Das E/A-Kabel (optional) durch die Zugentlastung führen. Dabei eine Länge von 420 mm zwischen Zugentlastung und Kabelende einhalten.
6. Das Netzwerkkabel (Glasfaser oder Kabeltyp RJ-45) durch die Zugentlastung führen. Dabei eine Länge von 580 mm zwischen Zugentlastung und Anschlussende einhalten. Weitere Informationen zu den verschiedenen Anschlussoptionen an das Netzwerk, siehe *Einrichten der Netzwerkverbindung auf Seite 105*.
7. Die drei Zugentlastungen schließen und anziehen.



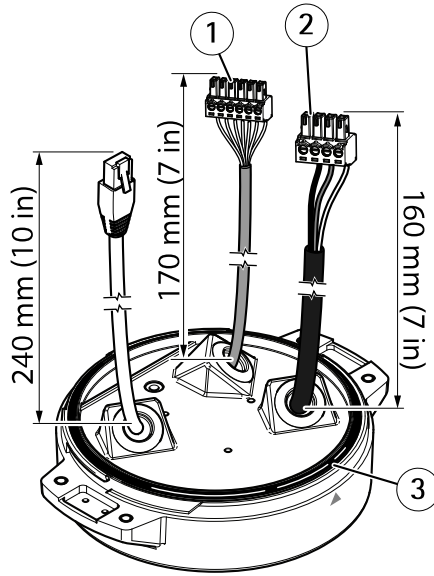
- 1 Stromversorgungskabel (nicht im Lieferumfang enthalten)
- 2 E/A-Kabel (optional, nicht im Lieferumfang enthalten)
- 3 Netzkabel (nicht im Lieferumfang enthalten)
- 4 Kabeldichtung
- 5 Transparente Abdeckung der Gerätebasis

8. Die Kabeldichtungen auf die Kabel schieben. Siehe *Kabelstärke auf Seite 126*.
9. Die Kabel für Stromversorgung, Netzwerk und E/A einschließlich der Kabeldichtungen durch die Öffnungen der transparenten Abdeckung der Gerätebasis führen und die Kabel wie in der Abbildung oben dargestellt ausrichten.

HINWEIS

Wird sowohl ein Glasfaserkabel als auch ein Kabel des Typs RJ-45 verwendet, das Glasfaserkabel durch dieselbe Kabeldichtung führen wie das E/A-Kabel. Gegen das Eindringen von Feuchtigkeit zwischen Kabeln und Kabeldichtung ein Dichtmittel verwenden. Weitere Informationen zu verschiedenen Anschlussoptionen an das Netzwerk, siehe *Einrichten der Netzwerkverbindung auf Seite 105*.

10. Die transparente Abdeckung der Gerätebasis wieder aufsetzen und die Kabeldichtungen in die Öffnungen schieben.



- 1 E/A-Anschluss
- 2 Netzanschluss
- 3 O-Ring

DE

HINWEIS

Sicherstellen, dass die Erdungsleitung etwa 10 mm länger ist als die beiden anderen Leitungen (im Stromversorgungskabel), sodass diese bei Zugbelastung nicht unbeabsichtigt getrennt wird.

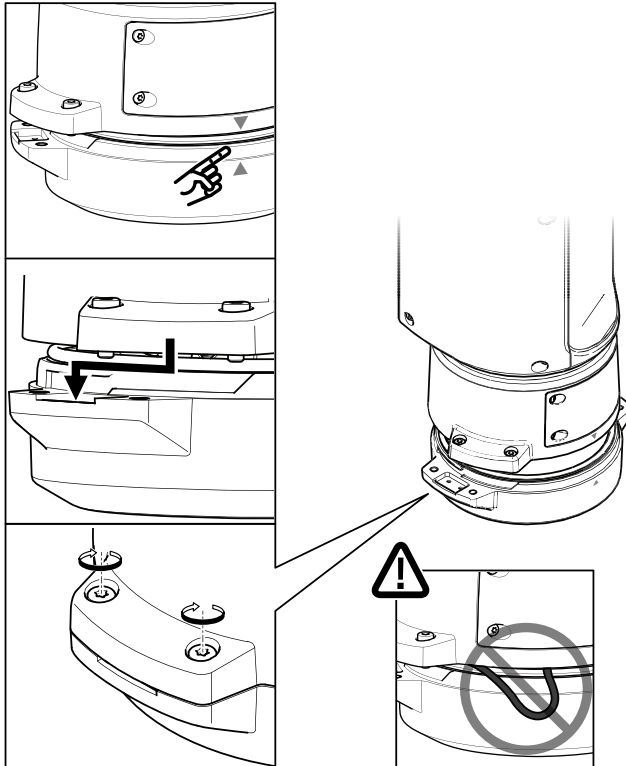
Beachten

Der Einbau wird erleichtert, wenn das Stromversorgungskabel etwa 70 mm und das E/A-Kabel etwa 90 mm abisoliert wird.

11. Zum Einbau der Stromversorgungs- und E/A-Anschlüsse siehe *Anschlüsse auf Seite 122*.
12. Die Kabel für Netzwerk, E/A und Stromversorgung so ausrichten, dass die Länge zwischen Kabeldichtung und Ende des Anschlusses jeweils 240 mm, 170 mm und 160 mm beträgt.

HINWEIS

Sicherstellen, dass der O-Ring richtig um die transparente Abdeckung der Gerätebasis herum eingepasst ist.

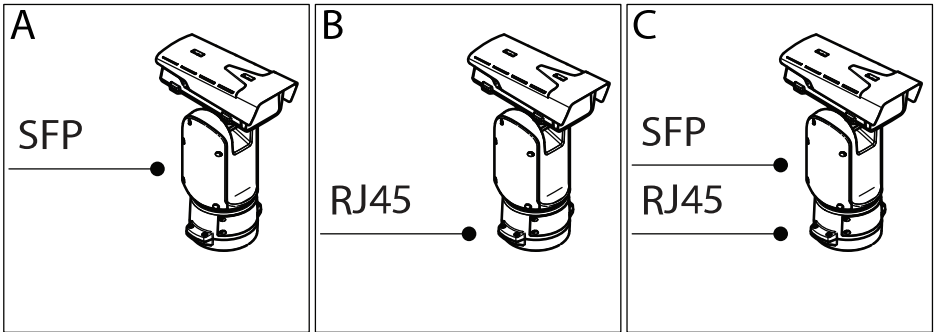


13. Das Positionierungsgerät wieder an der Gerätebasis anbringen und dabei sicherstellen, dass die Pfeile der beiden Geräte in einer Linie stehen.
14. Die Positionierungseinheit im Uhrzeigersinn in ihre Ausgangsstellung drehen und die vier Schrauben der Grundeinheit anziehen (Drehmoment 3,0 Nm).

HINWEIS

Sicherstellen, dass die Kabel beim Zusammenbauen der beiden Geräte nicht gequetscht werden.

Einrichten der Netzwerkverbindung



DE

Es gibt verschiedenen Optionen, die Netzwerkverbindung einzubauen:

- A: Mithilfe eines Glasfaserkabels oder eines Kabels des Typs RJ-45, das (mit einem entsprechenden Anschluss) an das SFP-Modul im SFP-Einschub angeschlossen wird.
- B: Mithilfe eines Anschlusses des Typs RJ-45 an den festen Anschluss des Typs RJ-45.
- C: Mithilfe beider oben angeführten Möglichkeiten. In diesem Fall agiert der Anschluss über das SFP-Modul als die primäre Netzwerkverbindung und die Verbindung über den festen Anschluss des Typs RJ-45 als Fail-Over-Anschluss.

Weitere Informationen zur Lage der Netzwerksteckverbindungen, siehe *Anschlüsse auf Seite 122*.

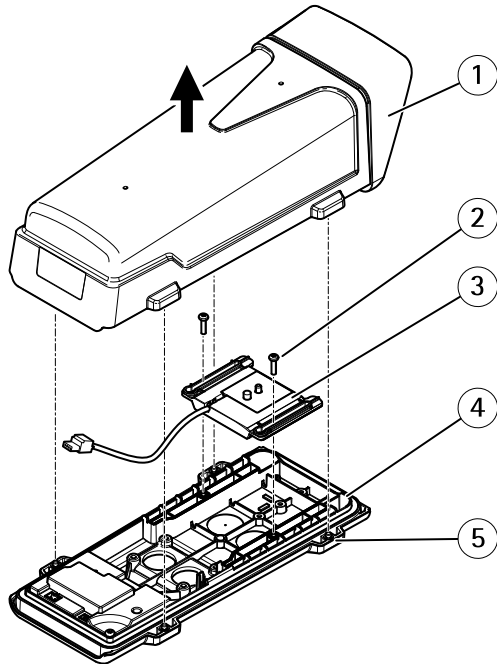
Beachten

- SFP-Modul nicht im Lieferumfang enthalten. Weitere Informationen zu lieferbaren SFP-Modulen, siehe www.axis.com.
- Die Netzwerkverbindung ausschließlich über das Glasfaserkabel mittels des entsprechenden SFP-Moduls dient als eigenständige Lösung für Kabelinstallationen mit großer Reichweite.

Installieren der Kamera

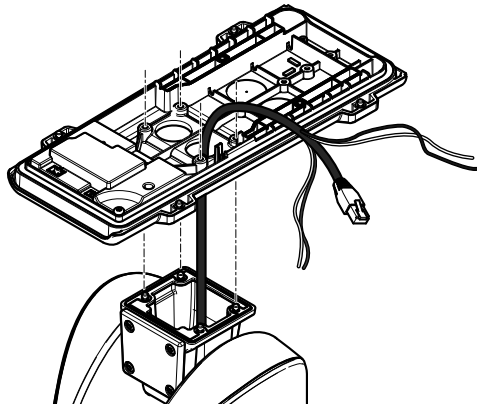
HINWEIS

Dieses Produkt unterstützt mehrere Netzwerk-Kameras. Eine vollständige Liste der unterstützten Kamera finden Sie auf www.axis.com.



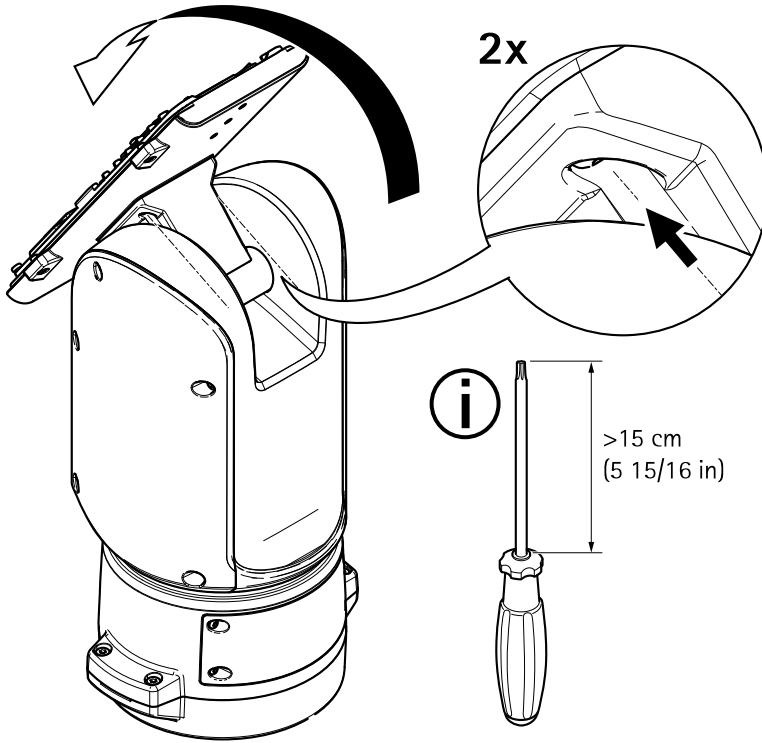
- 1 Obere Abdeckung des Kameragehäuses
- 2 Schrauben (T20, 2 St.) für Heizungshalter
- 3 Heizungshalter mit Heizung
- 4 Untere Abdeckung des Kameragehäuses
- 5 Schrauben (T20, 4 St.), Abdeckung des Kameragehäuses

1. Die vier Schrauben (T20) des Kameragehäuses entfernen und die obere Abdeckung von der unteren Abdeckung trennen.
2. Die beiden Schrauben (T20) des Heizungshalters entfernen und die Heizung von der unteren Abdeckung entfernen.



DE

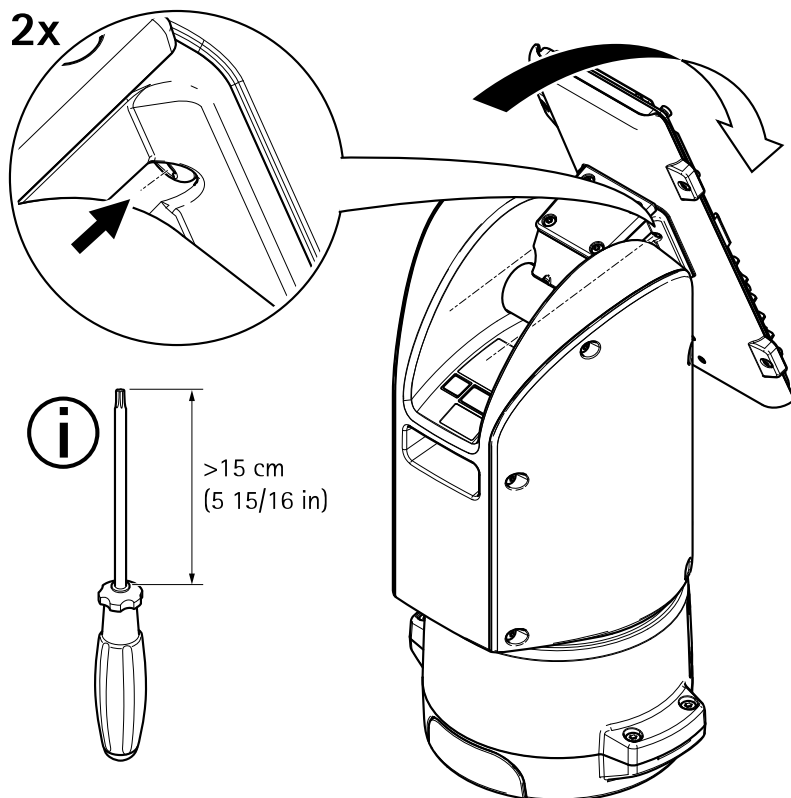
3. Das Kabel für Netzwerk / Stromversorgung / serielle Schnittstelle durch die Öffnung in der unteren Abdeckung führen.
4. Die untere Abdeckung an der Positionierungseinheit anbringen.



5. Die untere Abdeckung nach hinten in Endlage neigen und die beiden vorderen Schrauben (T20) der Positionierungseinheit anziehen (Drehmoment 3,0 Nm).

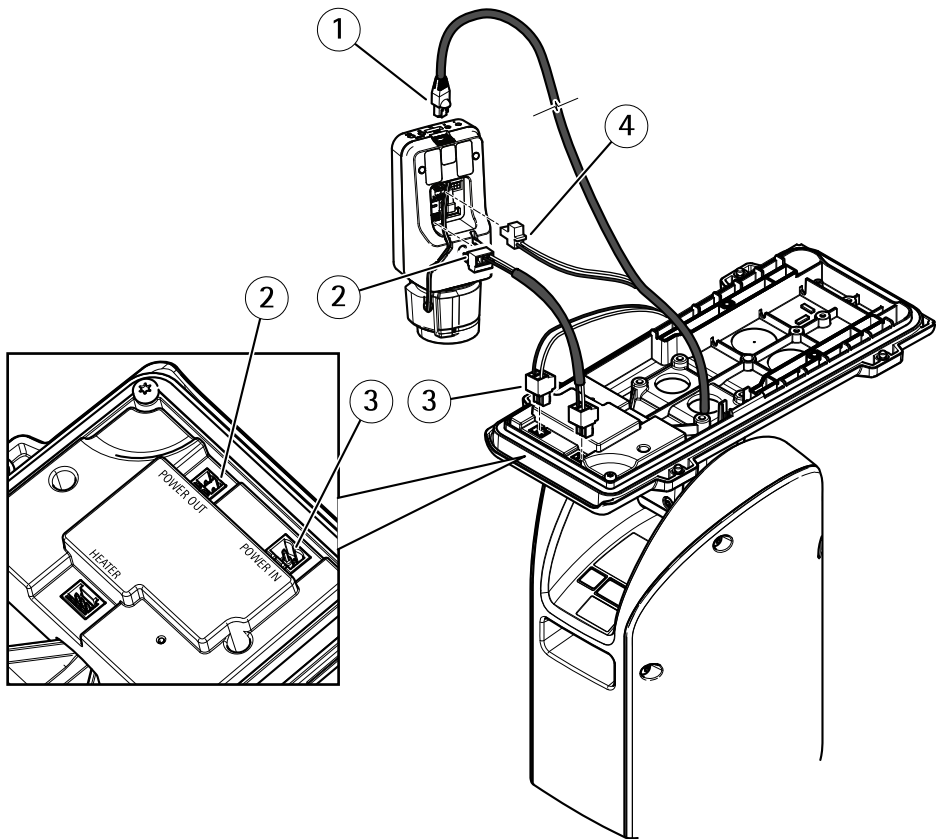
HINWEIS

Um die Schrauben der Positionierungseinheit erreichen zu können, einen Schraubendreher mit ausreichend langer Klinge verwenden (siehe Abbildung oben).



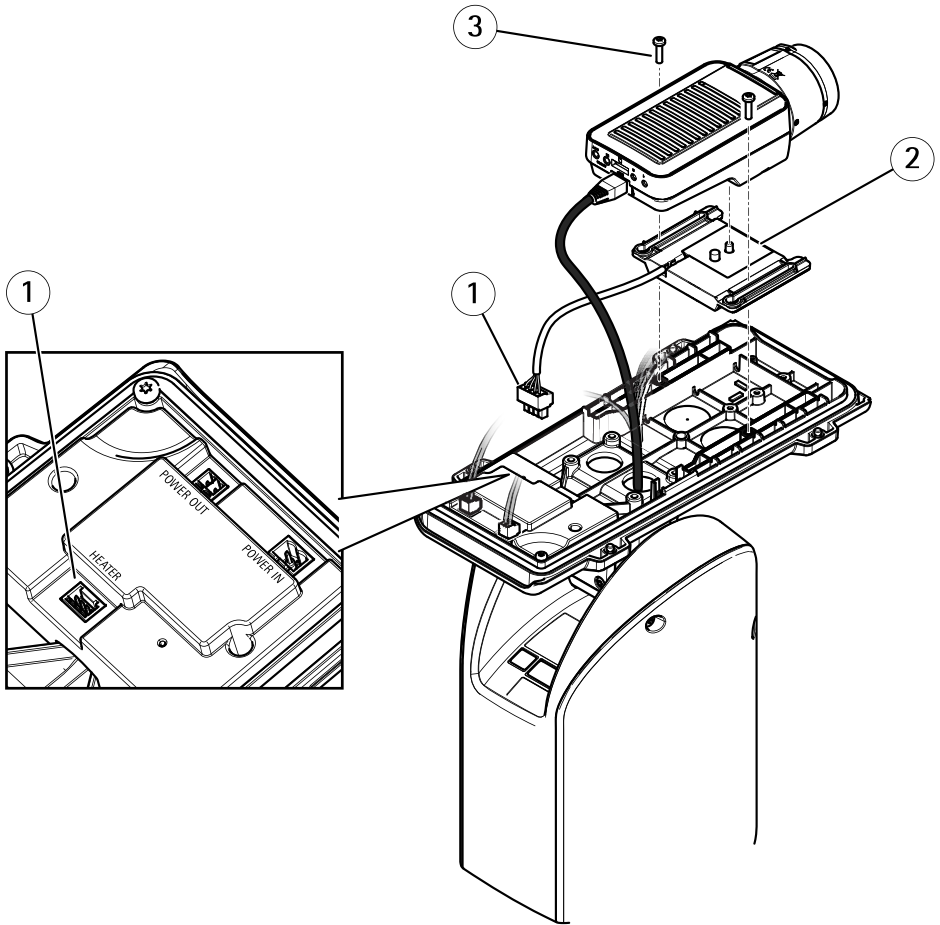
- Die untere Abdeckung nach vorn in Endlage neigen und die beiden hinteren Schrauben (T20) der Positionierungseinheit anziehen (Drehmoment 3,0 Nm).

AXIS T99A10 Positioning Unit 24 V AC/DC



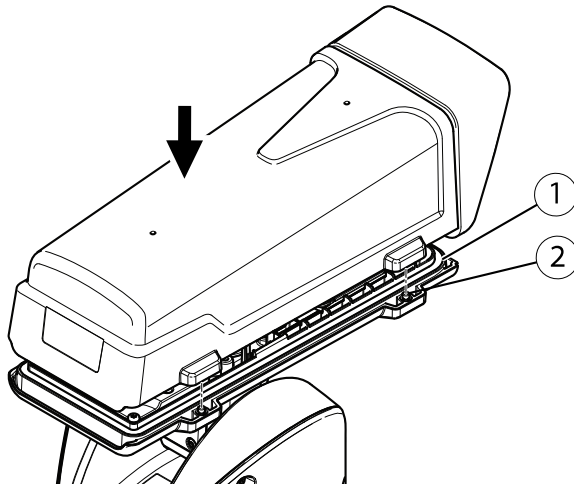
- 1 *Netzwerkkabel der Kamera*
- 2 *Stromversorgungskabel der Kamera von unterer Abdeckung an Kamera (Kabel nicht im Lieferumfang enthalten, Anschluss enthalten)*
- 3 *Stromversorgungskabel der Kamera von Positionierungseinheit an untere Abdeckung (Kabel nicht im Lieferumfang enthalten, Anschluss enthalten)*
- 4 *Seriellles Schnittstellenkabel der Kamera (Anschluss nicht im Lieferumfang enthalten)*

7. Die Kabel für Kameranetzwerk, serielle Schnittstelle und Stromversorgung anschließen. Weitere Informationen zu technischen Kenndaten der Kabel, siehe *Stromversorgungskabel der Kamera auf Seite 126* und *Seriellles Schnittstellenkabel der Kamera auf Seite 126*.



- 1 Heizungsanschluss und Kabel
- 2 Heizungshalter mit Heizung
- 3 Schrauben (T20, 2 x) für Heizungshalter

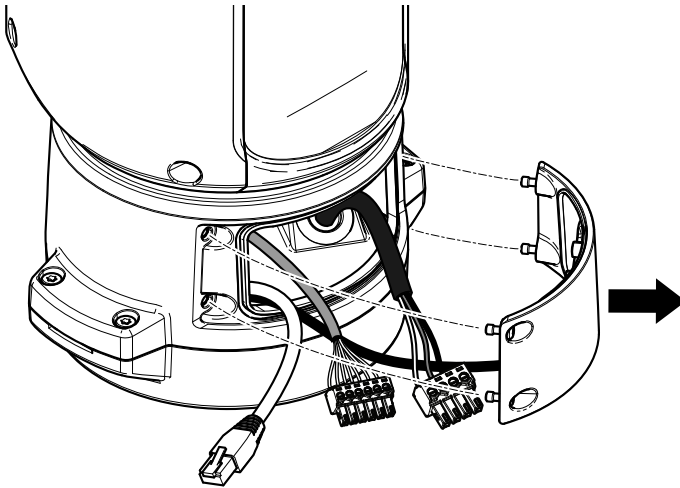
8. Den Heizungshalter an der Kamera anbringen.
9. Den Heizungshalter und die Kamera an der unteren Gehäuseabdeckung ausrichten und die beiden Schrauben (T20) des Heizungshalters anziehen (Drehmoment 0,5 Nm).
10. Das Heizungskabel anschließen.



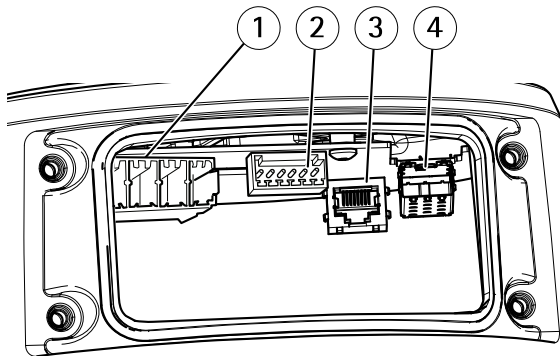
- 1 Dichtung der unteren Abdeckung
- 2 Schrauben (T20, 4 x), Abdeckung des Kameragehäuses

11. Die obere Abdeckung an der unteren Abdeckung anbringen und die vier Eckschrauben (T20) in mehreren Durchgängen versetzt jeweils einige Umdrehungen eindrehen bis alle Schrauben fest angezogen sind (Drehmoment 1,5 Nm). Damit wird sichergestellt, dass die Dichtung in der unteren Abdeckung gleichmäßig gespannt wird.

Anschließen der Kabel



1. Die vier Deckelschrauben (T20) lösen und den Deckel abnehmen.



- 1 *Stromversorgungsanschluss Eingang*
- 2 *E/A-Anschluss*
- 3 *RJ-45-Anschluss*
- 4 *SFP-Einschub für SFP-Module (SFP-Modul nicht enthalten)*

2. Das Netzwerk (Glasfaser und/oder RJ-45), E/A und die Stromversorgung anschließen
Weitere Informationen zu verschiedenen Anschlussoptionen an das Netzwerk, siehe *Einrichten der Netzwerkverbindung auf Seite 105*.

3. Den Deckel austauschen und die vier Deckelschrauben anziehen (Drehmoment 3,0 Nm).
4. Das Produkt an die Stromversorgung anschließen.

Installieren des PTZ-Treibers

Dieses Produkt unterstützt mehrere Geräte. Eine vollständige Liste der unterstützten Geräte finden Sie unter www.axis.com

Wichtig

Einige Kameras müssen kopfüber im Kameragehäuse eingebaut werden und andere verfügen über eine automatische Rotationsfunktion. Bearbeiten Sie vor dem Installieren des PTZ-Treibers die Bildeinstellungen in der Live-Ansicht der Kamera, um das Bild zu drehen und deaktivieren Sie die automatische Rotationsfunktion.

1. Die Webseite der Kamera aufrufen.
2. Rufen Sie im Installationsassistenten **PTZ-Modus wählen** auf und wählen Sie den **PTZ-Treiber** aus dem Aufklappenü.
3. Sobald Sie in der Live-Ansicht sind, gehen Sie zu **Einstellungen > System > Zubehör**.
4. Eine der folgenden Aktionen wählen:
 - 4.1 Wenn der PTZ-Treiber nicht hochgeladen wird, wählen Sie **Treiber hochladen** aus.
 - 4.2 Wenn der PTZ-Treiber hochgeladen wird, wählen Sie **Den zu verwendenden Treiber auswählen** und wählen Sie den PTZ-Treiber in dem Aufklappenü.
5. Wählen Sie einen Videokanal aus.
6. Geben Sie die **Geräte-ID** ein und wählen Sie den **Gerätetyp** aus dem Aufklappenü. Zur Wahl des richtigen Treibers, siehe die mit dem PTZ-Treiber gelieferte Dokumentation.
7. Gehen Sie zur PTZ-Registerkarte und überprüfen Sie, ob die PTZ-Einstellungen verfügbar sind.

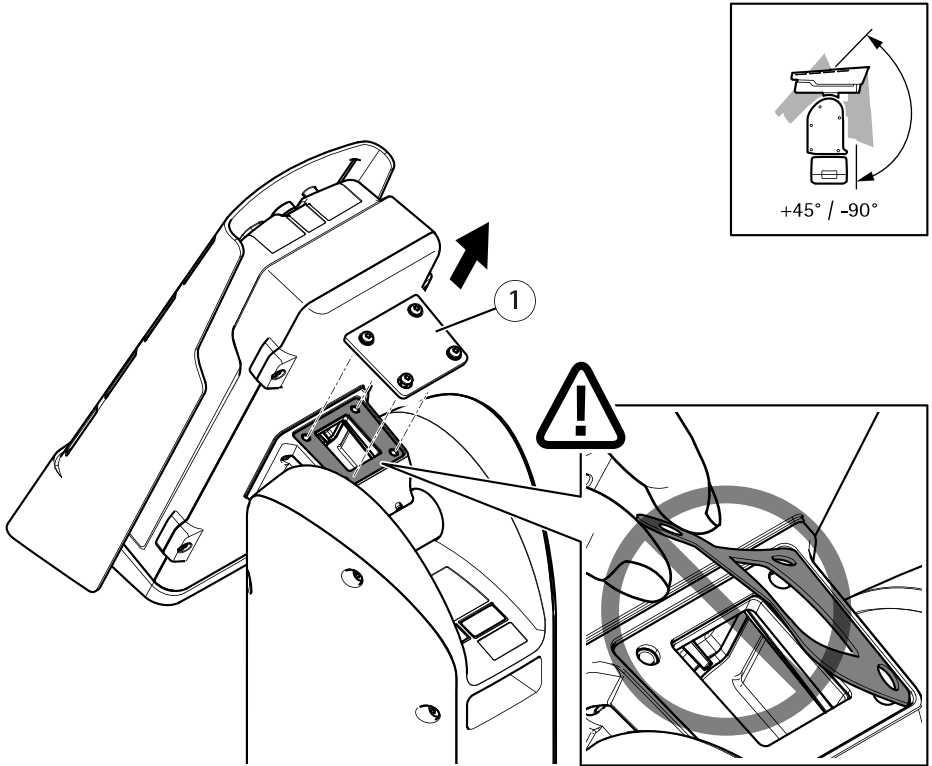
Installieren des Strahlersatzes (Standardinstallation)

⚠ WARNUNG

- Stromschlaggefahr Sicherstellen, dass das Stromversorgungskabel getrennt ist.
- Von der Strahlern ausgehende Infrarotstrahlung (Risikogruppe 2) kann die Augen schädigen. Auf die angegebenen Hinweise achten. Um das Risiko von Augenschäden zu reduzieren, bitte nicht in die Strahlungsquelle blicken und bei Abständen von weniger als 1,5 m eine geeignete Abschirmung oder einen geeigneten Augenschutz verwenden.

⚠ VORSICHT

Die Strahler werden im normalen Betrieb heiß. Berühren Sie die Leuchten nicht. Platzieren Sie das Gerät so, dass kein Zugang für nicht autorisierte Personen besteht. Vor dem Berühren der Strahler diese ausschalten und mindestens 10 Minuten abkühlen lassen.



DE

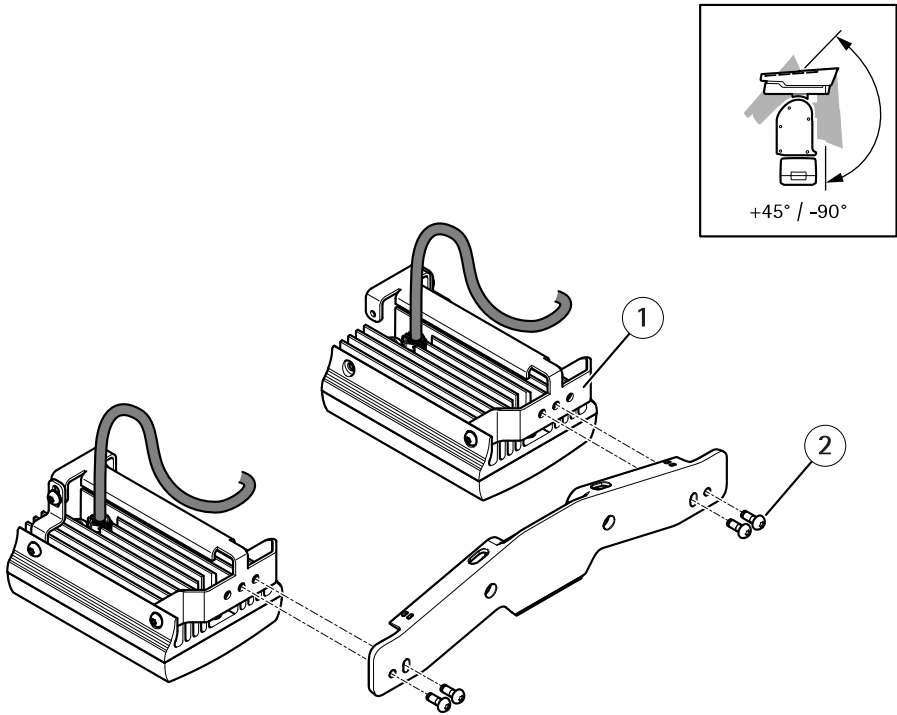
1 Abdeckung

1. Die vier Schrauben (T20) der Abdeckung lösen und die Abdeckung abnehmen.

Wichtig

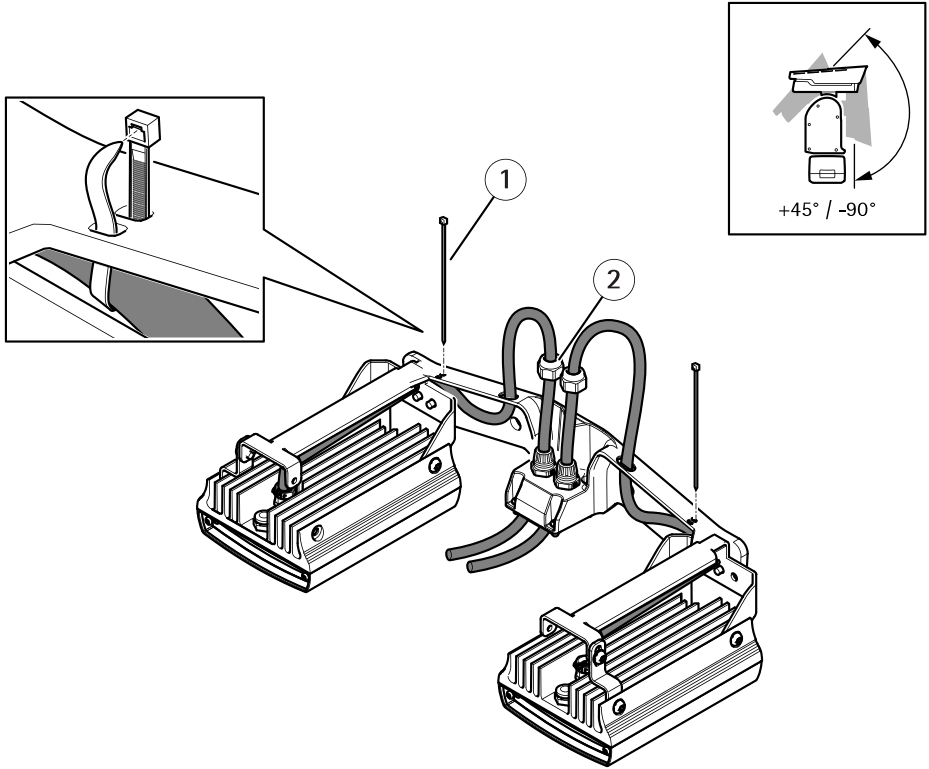
Sicherstellen, dass die Dichtung unter der Abdeckung in Einbaulage verbleibt.

AXIS T99A10 Positioning Unit 24 V AC/DC



- 1 Strahler (2 St.)
- 2 Schrauben (M6, 4 St.)

2. Die Strahler mit den vier Schrauben an den Halterungen befestigen.

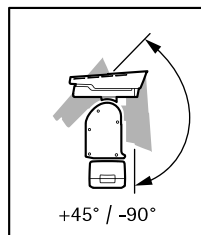
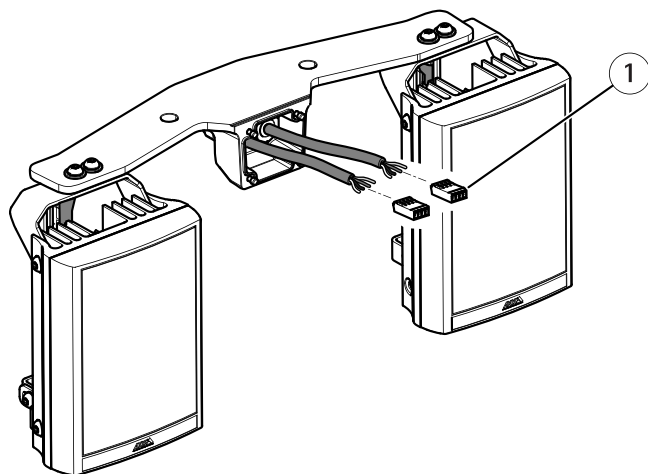


DE

- 1 Kabelbinder (4 x)
- 2 Hutmuttern (2 x)

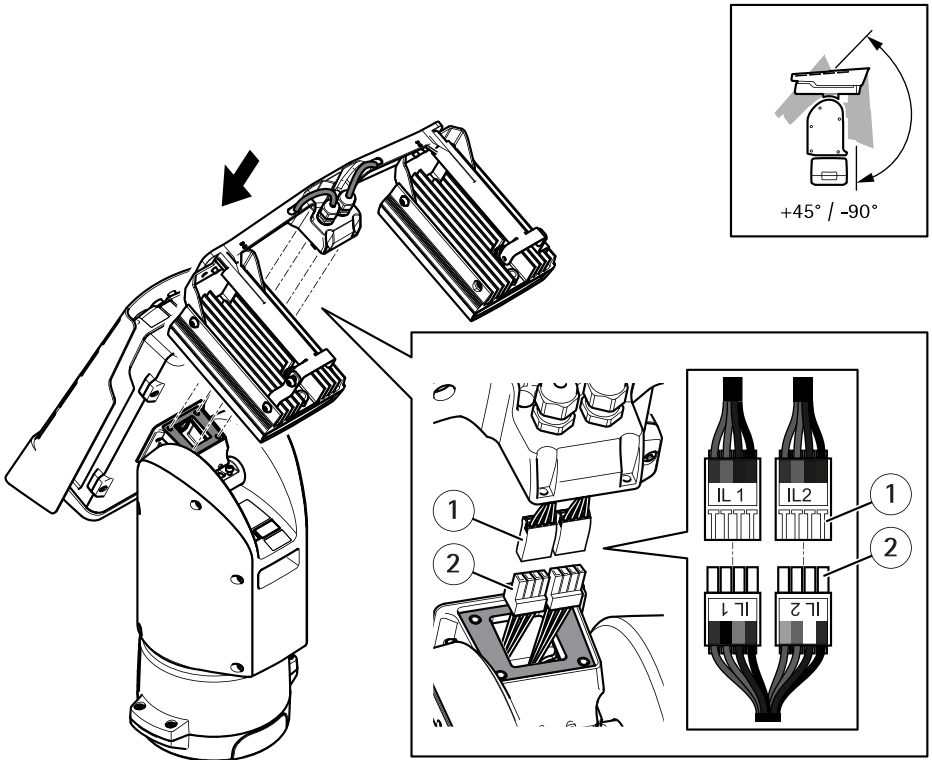
3. Die Kabel laut der Abbildung oben verlegen. Dann die Hutmuttern mit einem Drehmoment von 1.5 Nm anziehen.
4. Die Strahlerkabel mithilfe von Kabelbindern an der Halterung befestigen.

AXIS T99A10 Positioning Unit 24 V AC/DC



1 Strahleranschlüsse (2 x)

5. Die Anschlüsse anbringen. Siehe *Anschlüsse auf Seite 122*.



DE

- 1 Anschlüsse vom Strahler (2 x)
- 2 Anschlüsse von der Stelleinheit (2 x)

6. Die Kabel anschließen. Siehe *Anschlüsse auf Seite 122*.
7. Die Strahlerhalterung mit den vier Schrauben (T20, Drehmoment 3,0 Nm) an der Positionierungseinheit befestigen.

Beachten

Für weitere Informationen zum Betreiben der Strahler, siehe das Handbuch LED-Strahler (Modellangabe auf dem Typenschild beachten) und das Benutzerhandbuch Ihres kompatiblen Axis-Produkts auf www.axis.com

Aktivieren der Strahler-Ausrüstung

Beachten

Dies gilt nur, wenn eine Strahler-Ausrüstung installiert ist.

Wichtig

Diese Anleitung gilt nur für Geräte, die mit Firmware arbeiten, die älter als v8.40 ist.

1. Die Webseite des Produkts aufrufen.
2. Gehen Sie zu **Setup > PTZ > Erweitert > Gerät > Erweiterte treiberspezifische Einstellungen für Videoquelle 1**.
3. Für **Strahler > Typ IL1**:
 - Wählen Sie **Infrarot**, wenn Sie einen Infrarotstrahler angeschlossen haben.
 - Wählen Sie **Weiß** für einen Weißlichtstrahler
4. Wiederholen Sie den oben genannten Schritt für **Strahler > Typ IL2**.

Wichtig

Diese Anleitung gilt nur für Geräte, die mit Firmware arbeiten, die neuer als v8.40 ist.

1. Die Webseite des Produkts aufrufen.
2. Rufen Sie **Settings > System > Zubehör** auf.
3. Für **Strahler > Typ IL1**:
 - Wählen Sie **Infrarot**, wenn Sie einen Infrarotstrahler angeschlossen haben.
 - Wählen Sie **Weiß** für einen Weißlichtstrahler
4. Wiederholen Sie den oben genannten Schritt für **Strahler > Typ IL2**.

Installieren einer SD-Speicherkarte (optional)

Mit einer Standard-SD-Karte oder einer SD-Karte mit großem Speichervolumen (nicht im Lieferumfang enthalten) können Aufzeichnungen direkt auf dem Produkt gespeichert werden. Vor dem Installieren der SD-Speicherkarte *Technische Daten auf Seite 122* beachten.

1. Das Produkt von der Stromversorgung trennen.
2. Die vier Schrauben der oberen Abdeckung lösen und die Abdeckung abnehmen.
3. Zum Einsetzen der SD-Karte in den SD-Karteneinschub siehe *Übersicht über die Hardware auf Seite 94*.
4. Die obere Abdeckung wieder anbringen und die Schrauben anziehen (Drehmoment 3,0 Nm).
5. Das Produkt wieder an die Stromversorgung anschließen.

Weitere Informationen

- Unter www.axis.com finden Sie die aktuelle Version dieses Dokuments.
- Unter www.axis.com/support finden Sie Firmware-Aktualisierungen für Ihre Produkte.
- Nützliche Onlineschulungen und Webinare finden Sie unter www.axis.com/academy.

Optionales Zubehör

Eine vollständige Liste lieferbaren Zubehörs für dieses Produkt finden Sie auf axis.com unter Produkt, Software und Zubehör.

DE

Gewährleistungsinformationen

Informationen zur Gewährleistung für Axis-Produkte und andere in diesem Zusammenhang relevante Informationen finden Sie unter axis.com/warranty.

Technische Daten

Die aktuelle Version des technischen Datenblatts für das Produkt finden Sie auf axis.com unter **Support und Dokumentation**.

Anschlüsse

Netzwerkanschluss

RJ45-Ethernetanschluss.

SFP-Anschluss.

HINWEIS

Das Produkt muss mit einem abgeschirmten Netzkabel (STP) oder einem Glasfaserkabel angeschlossen werden. Alle Kabel, die das Produkt mit dem Netzwerkschalter verbinden, müssen hierfür ausgelegt sein. Stellen Sie sicher, dass die Netzwerkgeräte gemäß den Anweisungen des Herstellers installiert wurden. Informationen zu gesetzlichen Bestimmungen finden Sie unter *Electromagnetic compatibility (EMC) on page 8*.

E/A-Anschluss

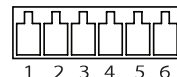
Über den E/A-Anschluss werden externe Geräte in Verbindung mit Manipulationsalarmen, Bewegungserkennung, Ereignisauslösung, Alarmbenachrichtigungen und anderen Funktionen angeschlossen. Außer dem Bezugspunkt 0 V Gleichstrom und Strom (Gleichstromausgang) besitzt der E/A-Anschluss eine Schnittstelle zum:

Digitaleingang – Zum Anschluss von Geräten, die zwischen geöffnetem und geschlossenem Schaltkreis wechseln können wie etwa PIR-Sensoren, Tür- und Fensterkontakte sowie Glasbruchmelder.

Digitalausgang – Zum Anschluss externer Geräte wie Relais und LEDs. Die angeschlossenen Geräte können über das VAPIX® Application Programming Interface oder über die Produktwebsite aktiviert werden.

Digitaler Lichtsensor – Um Werte der Umgebungslichtstärke von einem externen Lichtsensor zu empfangen. Dient zur Steuerung der Tag- und Nachtfunktionalität des Produkts.

6-poliger konfigurierbarer Anschlussblock

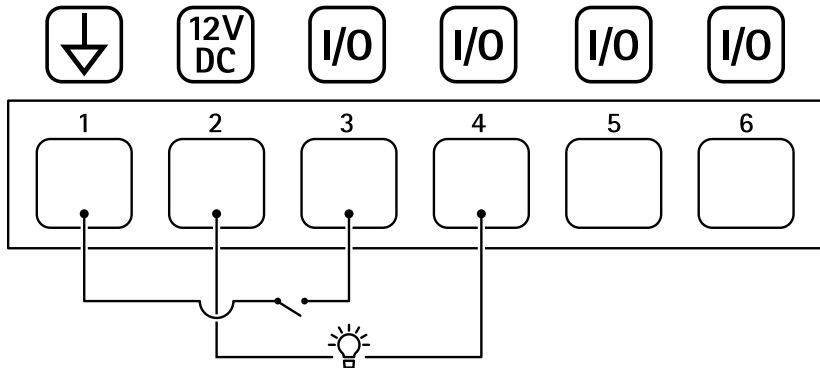


AXIS T99A10 Positioning Unit 24 V AC/DC

Funktion	Kontakt	Hinweise	Technische Angaben
Erdung Gleichstrom	1		0 V Gleichstrom
Gleichstromausgang	2	Darf für die Stromversorgung von Zusatzgeräten verwendet werden. Hinweis: Dieser Kontakt darf nur für den Stromausgang verwendet werden.	12 V DC Max. Stromstärke = 50 mA
Konfigurierbar (Ein- oder Ausgang)	3-6	Digitaleingang – Zum Aktivieren an Kontakt 1 anschließen, zum Deaktivieren nicht anschließen.	0 bis max. 30 V Gleichstrom
		Digitaler Ausgang – Interne Verbindung mit Kontakt 1 (Gleichstrom Erdschluss), wenn aktiviert; unverbunden, wenn deaktiviert. Bei Verwendung mit einer induktiven Last, wie etwa einem Relais, muss zum Schutz vor Spannungssprüngen eine Diode parallel zur Last geschaltet werden.	0 bis max. 30 V Gleichstrom, Open-Drain, 100 mA

DE

Beispiel



- 1 Erdung Gleichstrom
- 2 Gleichstromausgang 12 V, max. 50 mA
- 3 E/A als Eingang konfiguriert
- 4 E/A als Ausgang konfiguriert
- 5 Konfigurierbarer E/A
- 6 Konfigurierbarer E/A

AXIS T99A10 Positioning Unit 24 V AC/DC

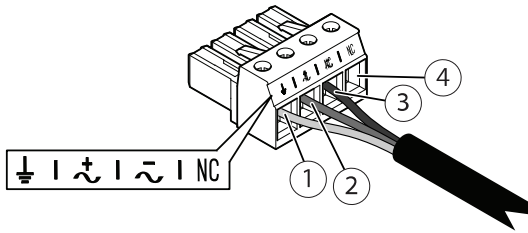
Netzanschluss

4-poliger Anschlussblock für den Stromeingang.

Netzanschluss 24 V, Wechselstrom/Gleichstrom

HINWEIS

Dieser Abschnitt bezieht sich nur auf Produkte mit Stromversorgung 24 V Wechselstrom und 24 V Gleichstrom.



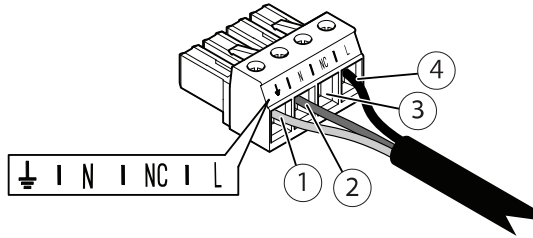
Diese Tabelle bezieht sich nur auf die Stromanschlüsse mit 24 V Wechselstrom und 24 V mit Gleichstrom.

Position	24 V Wechselstrom	24 V Gleichstrom
1	Schutzerde	Schutzerde
2	Phase 24 V Wechselstrom	+ 24 V
3	Nullleiter 24 V Wechselstrom	0 V
4	Nicht verbunden	Nicht verbunden

Netzanschluss 240 V Wechselstrom

HINWEIS

Dieser Abschnitt bezieht sich nur auf Produkte mit Stromversorgung von 100 V bis 240 V Wechselstrom.



Diese Tabelle bezieht sich nur auf den 240 V Stromanschluss mit Wechselstrom.

DE

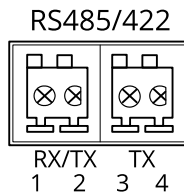
Position	100 bis 240 V Wechselstrom
1	Schutzerde
2	Nullleiter 240 V Wechselstrom
3	Nicht verbunden
4	Phase 240 V Wechselstrom

RS485-/RS422-Anschluss

Zwei 2-polige Anschlussblöcke für serielle Schnittstellen vom Typ RS485/RS422 zur Steuerung von Zusatzgeräten, beispielsweise zum Schwenken und Neigen.

Der serielle Anschluss kann in den folgenden Anschlussmodi konfiguriert werden:

- zweiadrigter RS485-Halbduplex-Anschluss
- vieradrigter RS485-Vollduplex-Anschluss
- zweiadrigter RS422-Simplex-Anschluss
- vieradrigter RS422-Vollduplex-Anschluss (Punkt-zu-Punkt-Verbindung)



AXIS T99A10 Positioning Unit 24 V AC/DC

Funktion	Kontakt	Hinweise
RS485/RS422 RX/TX A	1	(RX) RS485/RS422 für Vollduplex (RX/TX) RS485 für Halbduplex
RS485/RS422 RX/TX B	2	
RS485/RS422 TX A	3	(TX) RS485/RS422 für Vollduplex
RS485/RS422 TX B	4	

Kabel

Kabelstärke

Wenn die dem Produkt beiliegenden Kabeldichtungen verwendet werden, muss der Kabeldurchmesser zwischen 5 und 11 mm liegen.

HINWEIS

- Kabel verwenden, die der Querschnittsvorgabe entsprechen.
- Kabel verwenden, die den örtlichen Vorschriften entsprechen.
- Sicherstellen, dass alle Kabeldurchführungen ordnungsgemäß abgedichtet sind.
- Kabeldichtungen oder Kabelverschraubungen verwenden, die sowohl der Kabeldurchführung als auch dem Kabelquerschnitt entsprechen.

Für Informationen zu Zubehör wie Kabeldichtungen und Kabelverschraubungen für andere Kabelquerschnitte, siehe www.axis.com.

Serielles Schnittstellenkabel der Kamera

Kabelfarbmarkierung	Technische Kenndaten
Weiß	RS485A
Grün	RS485B

Stromversorgungskabel der Kamera

Kabelfarbmarkierung	Technische Kenndaten
Rot	+ 24 V Gleichstrom
Schwarz	0 V

Betriebsbedingungen

Dieses Axis-Produkt ist für die Verwendung im Innen- und Außenbereich ausgelegt.

Temperatur	Luftfeuchtigkeit
Normal: -50 °C bis +60 °C Maximal (kurzzeitig) 65 °C Kaltstart: -40 °C bis +60 °C	Relative Luftfeuchtigkeit 10 bis 100 % (nicht kondensierend)

Die Hochfahrzeit beträgt zwischen 0 °C und +50 °C zwei Minuten.

Leistungsaufnahme

Typischer Stromverbrauch	Max. Stromverbrauch
10 W	169 W

Wichtig

Bei Verwendung des AXIS Cable 24 V Gleichstrom/24–240 V Wechselstrom mit 22 m Länge muss das Stromversorgungskabel 220 W liefern können, um Leistungsverluste auszugleichen.

HINWEIS

Die typischen Werte der Leistungsaufnahme basieren auf folgenden Annahmen:

- Leitungsverluste im Stromversorgungskabel nicht berücksichtigt
- Keine Positionierung aktiv
- Temperatur beträgt 25 °C (alle Heizungen ausgeschaltet)
- Ein H.264-Stream mit maximaler Auflösung
- Aufzeichnen eines MJPEG-Streams auf SD-Karte

Informazioni di sicurezza

Livelli di pericolo

▲PERICOLO

Indica una situazione pericolosa che, se non evitata, provoca morte o lesioni gravi.

▲AVVERTENZA

Indica una situazione pericolosa che, se non evitata, potrebbe provocare la morte o lesioni gravi.

▲ATTENZIONE

Indica una situazione pericolosa che, se non evitata, potrebbe provocare lesioni medie o minori.

AWISO

Indica una situazione che, se non evitata, potrebbe danneggiare la proprietà.

IT

Altri livelli di messaggio

Importante

Indica informazioni importanti, essenziali per il corretto funzionamento del dispositivo.

Nota

Indica informazioni utili che aiutano a ottenere il massimo dal dispositivo.

Informazioni di sicurezza


⚠ PERICOLO

Rischio di scosse elettriche. Tutti i cavi devono essere diseccitati prima di installare o eseguire la manutenzione sul dispositivo.


⚠ AVVERTENZA

Il dispositivo Axis deve essere installato da un professionista qualificato, in conformità alle leggi e alle disposizioni locali.

⚠ ATTENZIONE

 Rischio di lesioni. Parti in movimento. Tenere il corpo a distanza dal dispositivo durante il funzionamento. Scollegare dall'alimentazione prima di installare o eseguire la manutenzione sul dispositivo.

⚠ ATTENZIONE

 Rischio di lesioni. Superficie calda. Non toccare il dispositivo durante il funzionamento. Scollegare dall'alimentazione e raffreddare le superfici prima di eseguire la manutenzione del dispositivo.

AWISO

- Il dispositivo Axis deve essere utilizzato in conformità alle leggi e alle normative locali.
- Conservare il dispositivo Axis in un ambiente asciutto e ventilato.
- Evitare di esporre il dispositivo Axis a urti o pressioni eccessive.
- Non installare il dispositivo su supporti, superfici, pareti o pali instabili.
- Utilizzare solo strumenti applicabili quando si installa il dispositivo Axis. Se si utilizza una forza eccessiva con strumenti non adatti è possibile causare danni al dispositivo.
- Non utilizzare sostanze chimiche, agenti caustici o detergenti aerosol.
- Utilizzare un panno pulito inumidito in acqua pura per la pulizia.
- Utilizzare solo accessori compatibili con le specifiche tecniche del dispositivo. Questi possono essere forniti da Axis o da terze parti. Axis consiglia l'uso dell'apparecchiatura di alimentazione Axis compatibile con il dispositivo.
- Utilizzare solo parti di ricambio fornite o consigliate da Axis.
- Non tentare di riparare il dispositivo da soli. Contattare l'assistenza o il rivenditore Axis per questioni relative alla manutenzione.
- Non rivolgere l'obiettivo della telecamera verso il sole o altre sorgenti di radiazioni molto intense poiché si potrebbe danneggiare la telecamera.
- Utilizzare un cavo di messa a terra giallo o verde di almeno 0,5 mm² o 20 AWG.

Trasporto

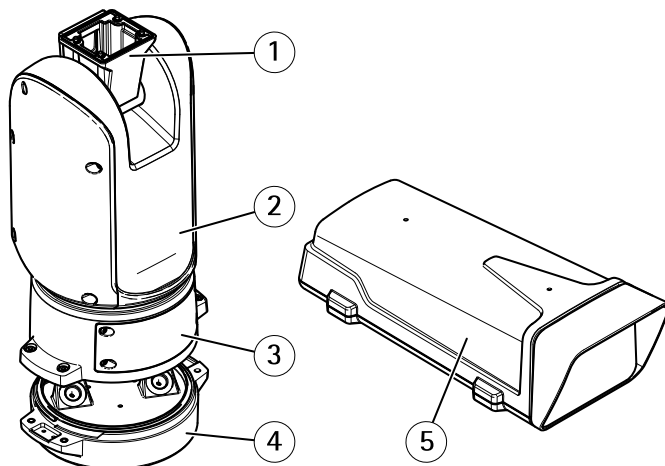
AVVISO

- Durante il trasporto del dispositivo Axis, utilizzare l'imballaggio originale o equivalente per evitare danni al dispositivo.

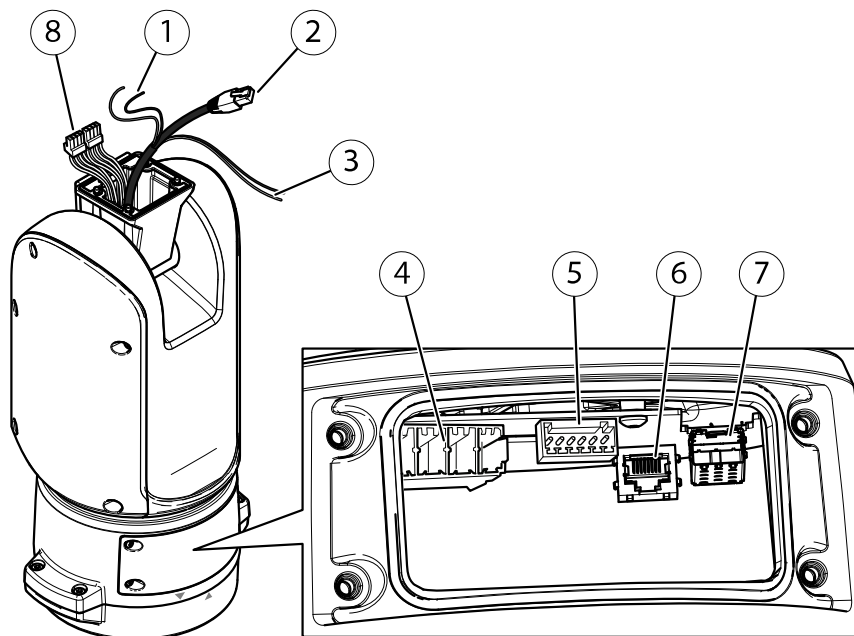
Contenuto della confezione

- Unità di posizionamento
- Alloggiamento per telecamera
- Connettore di alimentazione
- Connettore I/O
- Punta Torx® T20 e T30
- Documentazione
 - Guida all'installazione (questo documento)
 - Etichetta aggiuntiva con numero di serie (2x)
 - Chiave di autenticazione AVHS

Panoramica dell'hardware



- 1 *Unità di posizionamento (inclinazione)*
- 2 *Unità di posizionamento (panoramica)*
- 3 *Coperchio*
- 4 *Unità base*
- 5 *Alloggiamento per telecamera*



- 1 *Cavo di alimentazione della telecamera*
- 2 *Cavo di rete della telecamera*
- 3 *Cavo dell'interfaccia seriale della telecamera*
- 4 *Connettore ingresso alimentazione*
- 5 *Connettore I/O*
- 6 *Connettore RJ45*
- 7 *Slot SFP per modulo SFP (modulo SFP non incluso)*
- 8 *Cavi dell'illuminatore*

Come installare il dispositivo

Attività d'installazione principali

1. *Montaggio dell'unità base*
2. *Installazione dei cavi*
3. *Installazione del collegamento di rete*
4. *Installazione della telecamera*
5. *Collegamento dei cavi*
6. *Installazione del driver PTZ*
7. *Installazione del kit dell'illuminatore (installazione predefinita)*
8. *Abilitazione del kit dell'illuminatore*
9. *Installazione di una scheda di memoria (opzionale)*


⚠ PERICOLO

Rischio di scosse elettriche. Tutti i cavi non saranno sotto tensione prima di installare il dispositivo.


⚠ ATTENZIONE

Le connessioni elettriche e l'installazione dei tubi protettivi devono essere effettuate da un elettricista certificato e in conformità alle normative locali.

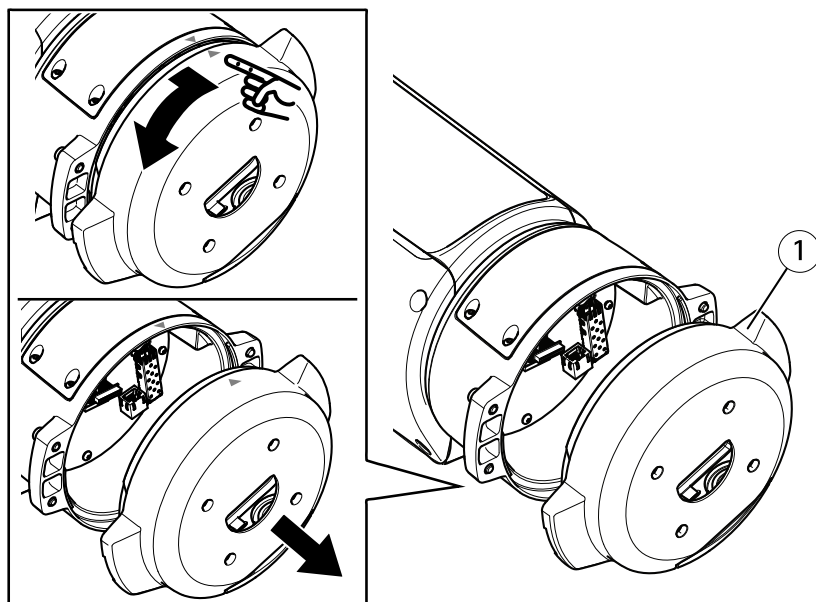
⚠ ATTENZIONE

 Rischio di lesioni. Parti in movimento. Tenere il corpo a distanza dal dispositivo durante il funzionamento. Scollegare dall'alimentazione prima di installare o eseguire la manutenzione sul dispositivo.

⚠ ATTENZIONE

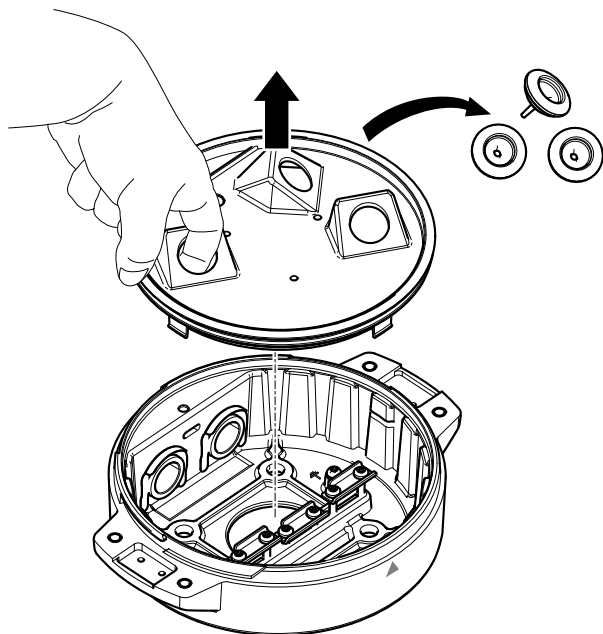
 Rischio di lesioni. Superficie calda. Non toccare il dispositivo durante il funzionamento. Scollegare dall'alimentazione e raffreddare le superfici prima di eseguire la manutenzione sul dispositivo.

Montaggio dell'unità base



1 Unità base

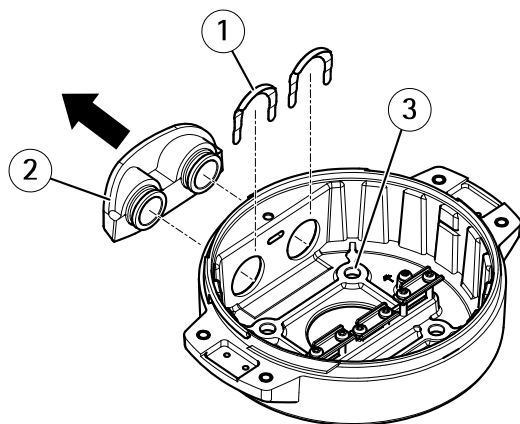
1. Rimuovere le quattro viti (T30) dell'unità base.
2. Estrarre e ruotare simultaneamente l'unità base in senso antiorario finché le frecce sull'unità base e sul resto dell'unità non sono allineate.
3. Rimuovere l'unità base.



AWISO

Non utilizzare strumenti appuntiti durante la rimozione del coperchio trasparente dell'unità base.

4. Rimuovere il coperchio trasparente dell'unità base.



- 1 *Clip del coperchio del tubo protettivo*
- 2 *Coperchio del tubo protettivo*
- 3 *Foro per vite (x4)*

- 5. Solo per le installazioni di tubi protettivi: rimuovere le due clip del coperchio del tubo protettivo dal coperchio del tubo.
- 6. Fissare l'unità base alla superficie di montaggio utilizzando i fissaggi appropriati nei fori delle quattro viti.

Installazione dei cavi

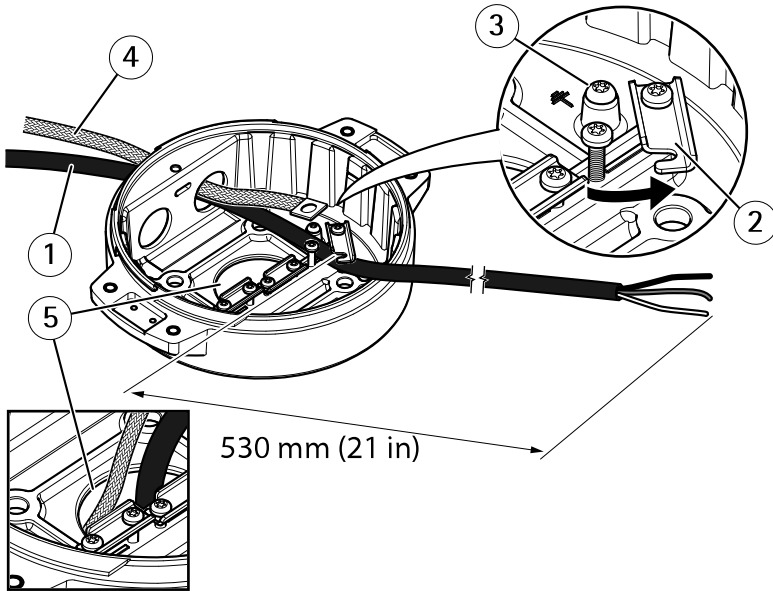
▲AVVERTENZA

Rischio di scosse elettriche. Questo dispositivo deve disporre di messa a terra utilizzando il cavo di messa a terra di protezione nel cavo di alimentazione e la treccia di messa a terra. Assicurarsi che entrambe le estremità del cavo di messa a terra di protezione e della treccia di messa a terra siano in contatto con le rispettive superfici di messa a terra.

Importante

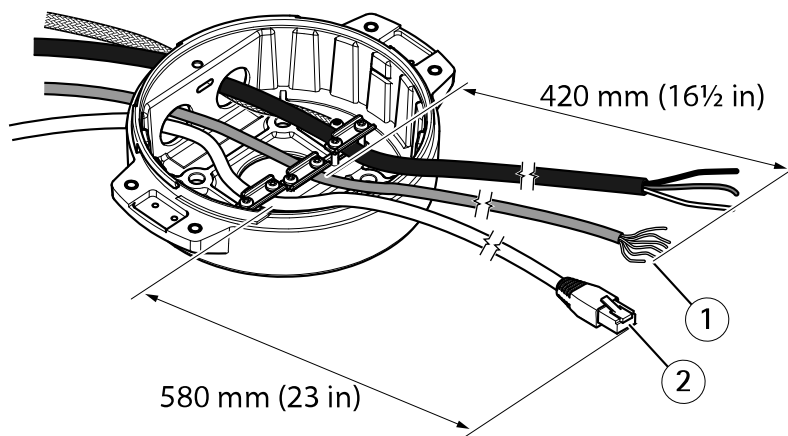
Utilizzare solo cavi conformi all'area dei cavi specificata. Per ulteriori informazioni, vedere *Spessore del cavo alla pagina 166*.

AXIS T99A10 Positioning Unit 24 V AC/DC



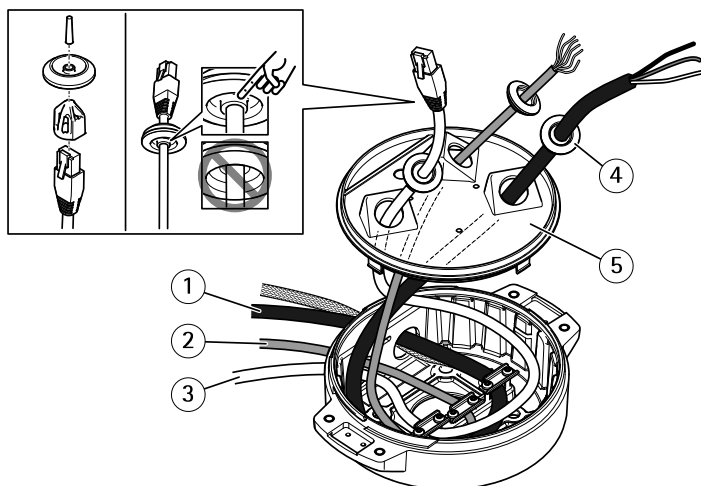
- 1 *Cavo di alimentazione (non incluso)*
- 2 *Dispositivo antistrappo*
- 3 *Vite di messa a terra*
- 4 *Treccia di messa a terra (non inclusa)*
- 5 *Foro per cavo inferiore*

1. Installare gli adattatori dei tubi protettivi opzionali (non inclusi).
2. Collegare la treccia di messa a terra alla vite della messa a terra.
3. Inserire il cavo di alimentazione, il cavo di rete e il cavo I/O attraverso il foro nell'unità base come mostrato nell'illustrazione sopra riportata. In alternativa, inserirli nel foro del cavo inferiore.
4. Inserire il cavo di alimentazione nel dispositivo antistrappo con una distanza di 530 mm tra il dispositivo antistrappo e l'estremità del cavo.



- 1 Cavo I/O (opzionale, non incluso)
- 2 Cavo di rete (non incluso)

5. Inserire il cavo I/O (opzionale) nel dispositivo antistrappo con una distanza di 420 mm (16½ pollici) tra il dispositivo antistrappo e l'estremità del cavo.
6. Inserire il cavo di rete (cavo in fibra ottica e/o cavo RJ45) nel dispositivo antistrappo ad una distanza di 580 mm dal dispositivo antistrappo all'estremità del connettore. Per ulteriori informazioni sulle differenti opzioni di connettività di rete, vedere *Installazione del collegamento di rete alla pagina 145*.
7. Chiudere e avvitare i tre dispositivi antistrappo.



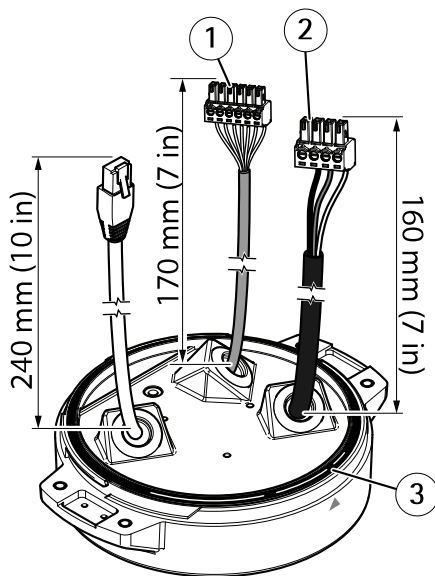
- 1 Cavo di alimentazione (non incluso)
- 2 Cavo I/O (opzionale, non incluso)
- 3 Cavo di rete (non incluso)
- 4 Guarnizione per cavi
- 5 Coperchio trasparente dell'unità base

8. Inserire le guarnizioni sui cavi. Vedere *Spessore del cavo alla pagina 166*.
9. Inserire il cavo di alimentazione, di rete e I/O comprese le guarnizioni attraverso i fori nel coperchio trasparente dell'unità base e sistemare i cavi come mostrato nell'illustrazione sopra riportata.

AWISO

Se si utilizzano un cavo in fibra ottica e un cavo RJ45 per la connettività di rete, instradare il cavo in fibra ottica attraverso la stessa guarnizione del cavo I/O. Applicare un sigillante tra i cavi e la guarnizione per evitare dispersioni. Per ulteriori informazioni sulle differenti opzioni di connettività di rete, vedere *Installazione del collegamento di rete alla pagina 145*.

10. Riposizionare il coperchio trasparente sull'unità base e inserire le guarnizioni dei cavi nei fori.



- 1 Connettore I/O
- 2 Connettore di alimentazione
- 3 Anello di tenuta

AVVISO

Accertarsi che il cavo di messa a terra di protezione sia circa 10 mm più lungo degli altri due cavi (nel cavo di alimentazione) per evitare lo scollegamento accidentale.

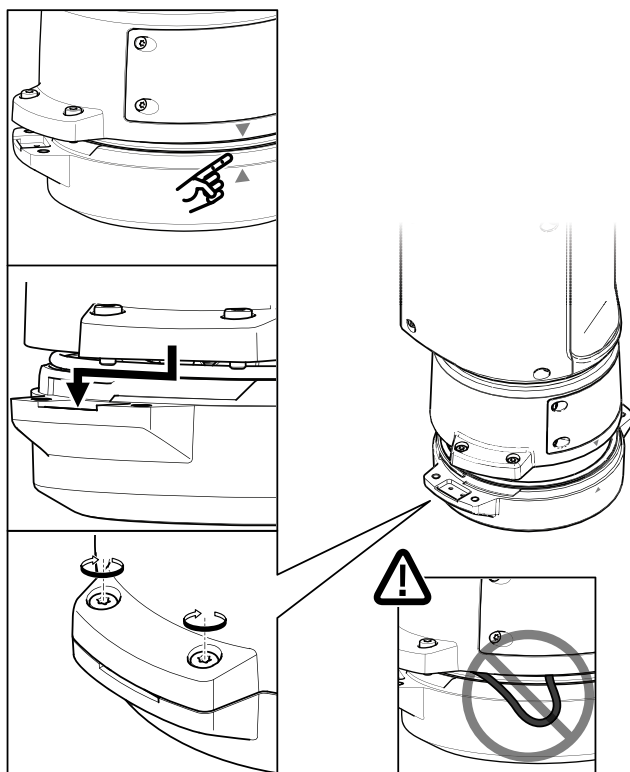
Nota

Si consiglia di togliere circa 90 mm (3½ pollici) di rivestimento del cavo di alimentazione e 70 mm (2¾ pollici) di rivestimento del cavo I/O per un'installazione più semplice.

11. Installare i connettori di alimentazione e I/O, vedere *Connettori alla pagina 162*.
12. Regolare i cavi di rete, I/O e di alimentazione in modo che la distanza dalla guarnizione del cavo all'estremità del connettore sia rispettivamente di 240 mm, 170 mm e 160 mm.

AVVISO

Assicurarsi che l'anello di tenuta sia correttamente fissato al coperchio trasparente dell'unità base.

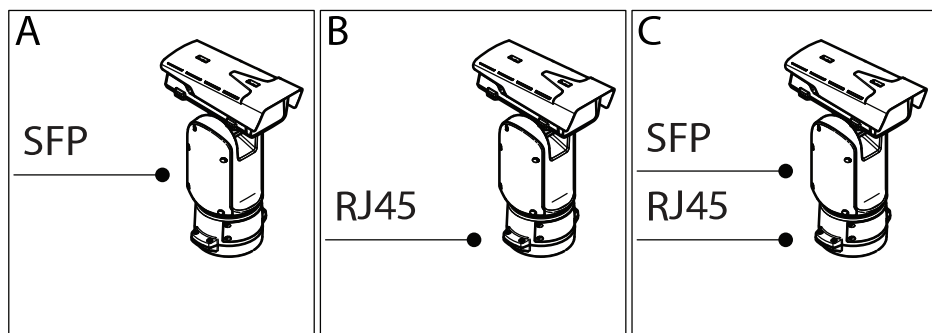


13. Riposizionare l'unità di posizionamento sull'unità base accertandosi che le frecce sulle due unità siano allineate.
14. Ruotare l'unità di posizionamento in senso orario facendola tornare alla posizione originale e serrare le quattro viti dell'unità base (serraggio 3,0 Nm).

AWISO

Accertarsi che i cavi non vengano schiacciati durante il montaggio delle due unità.

Installazione del collegamento di rete



IT

Per l'installazione di un collegamento di rete esistono diverse opzioni:

- A: tramite un cavo in fibra ottica o un cavo RJ45 collegato al modulo SFP (con un rispettivo connettore) nello slot SFP.
- B: tramite un cavo RJ45 collegato al connettore RJ45 fisso.
- C: tramite entrambe le opzioni precedenti. In tal caso la connessione tramite le funzioni del modulo SFP è il primo collegamento di rete e la connessione tramite connettore RJ45 è il collegamento di failover.

Per ulteriori informazioni sulle posizioni dei connettori di rete, vedere *Connettori alla pagina 162*.

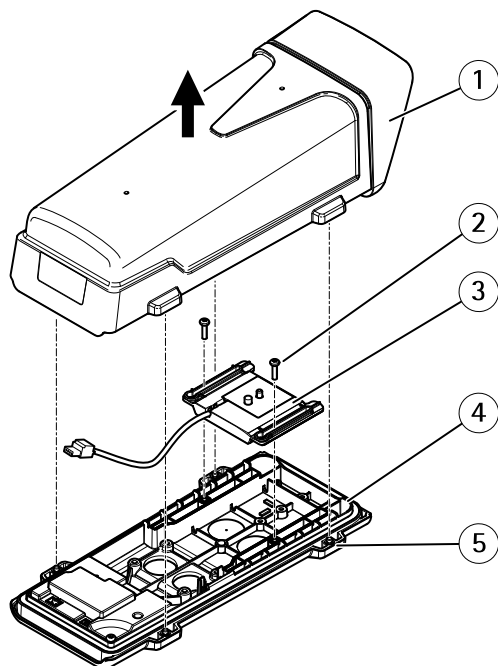
Nota

- Il modulo SFP non è incluso. Per ulteriori informazioni sui moduli SFP disponibili, vedere www.axis.com
- La creazione di un collegamento di rete solo tramite cavo in fibra ottica utilizzando il rispettivo modulo SFP funziona come soluzione indipendente per le installazioni di cablaggi a lungo raggio.

Installazione della telecamera

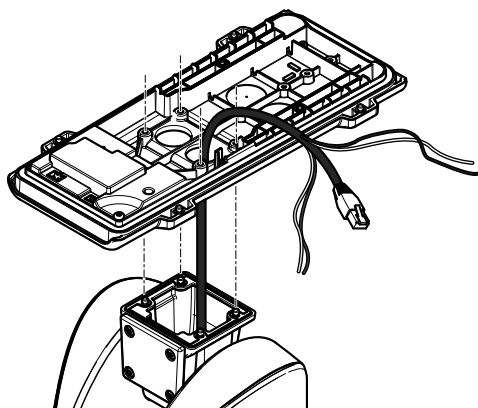
AVVISO

Questo dispositivo supporta diverse telecamere di rete. Per un elenco completo delle telecamere supportate, vedere www.axis.com.

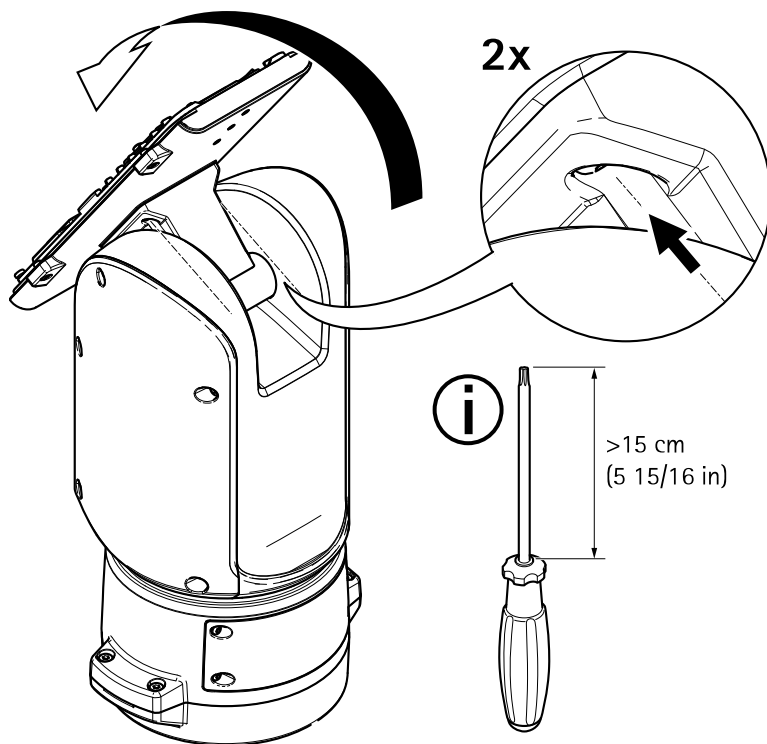


- 1 Coperchio superiore dell'alloggiamento per telecamera
- 2 Vite del supporto del riscaldatore (T20, x2)
- 3 Supporto del riscaldatore con riscaldatore
- 4 Coperchio inferiore dell'alloggiamento per telecamera
- 5 Viti del coperchio dell'alloggiamento per telecamera (T20, x4)

1. Rimuovere le quattro viti del coperchio dell'alloggiamento per telecamera (T20) e rimuovere il coperchio superiore da quello inferiore.
2. Rimuovere le due viti del supporto del riscaldatore (T20) e rimuovere il riscaldatore dal coperchio inferiore.



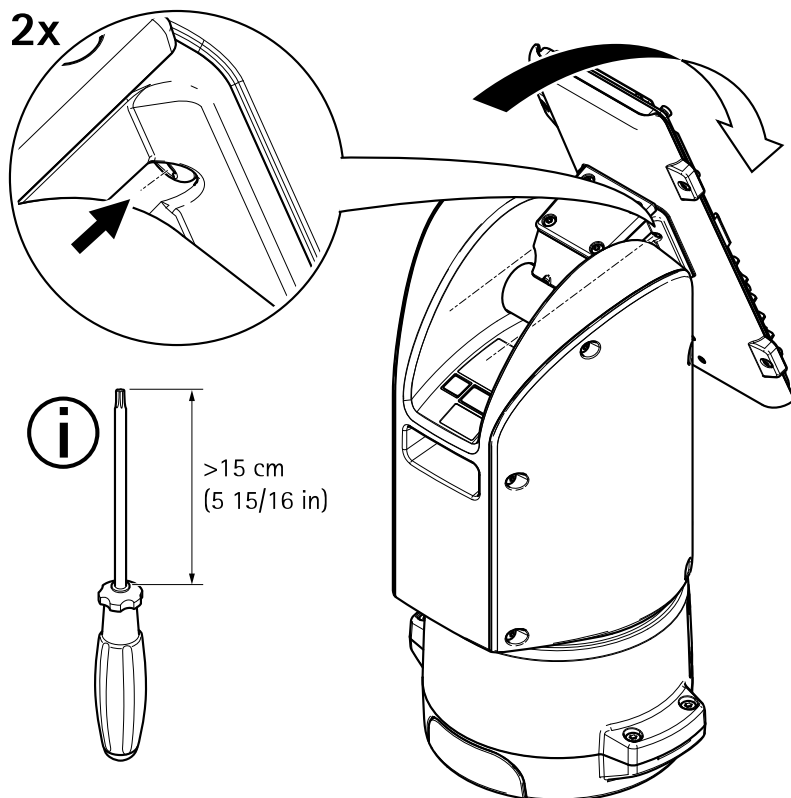
3. Inserire il cavo di rete/di alimentazione/dell'interfaccia seriale attraverso il foro nel coperchio inferiore.
4. Inserire il coperchio inferiore nell'unità di posizionamento.



5. Inclinare il coperchio inferiore all'indietro nella posizione finale e serrare le due viti anteriori sull'unità di posizionamento (T20, serraggio 3,0 Nm).

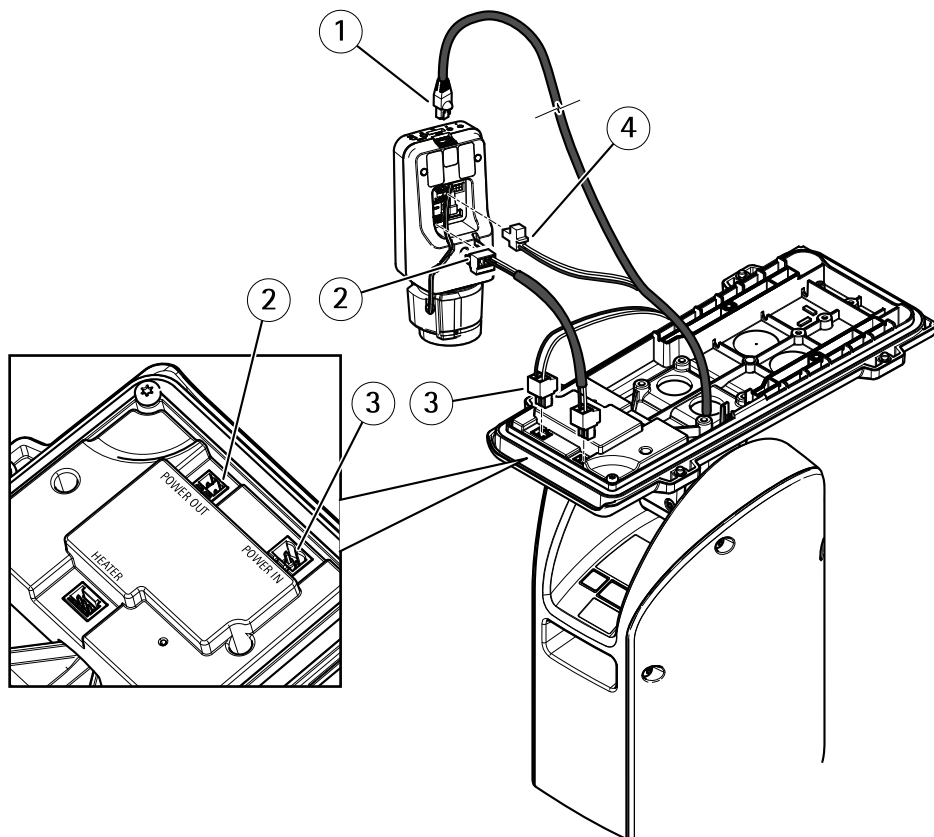
AWISO

Per raggiungere le viti dell'unità di posizionamento, utilizzare un cacciavite con una lama sufficientemente lunga (vedere la figura sopra riportata).

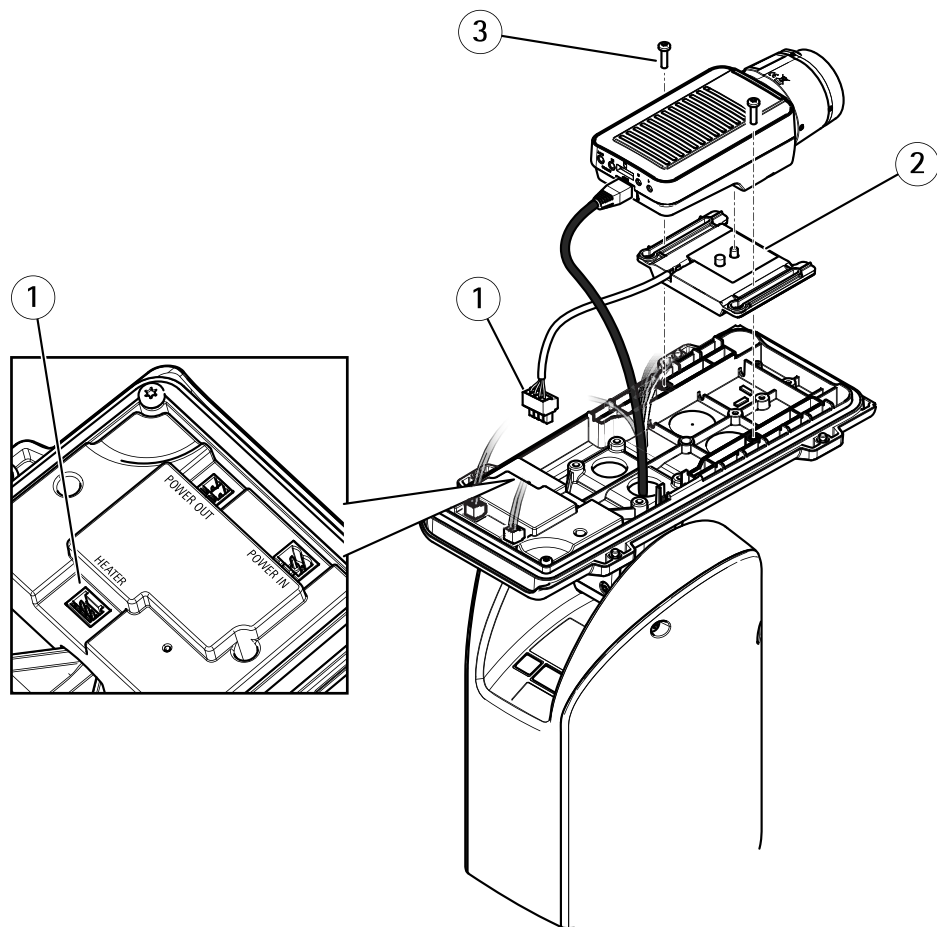


6. Inclinare il coperchio inferiore in avanti nella posizione finale e serrare le due viti posteriori dell'unità di posizionamento (T20, serraggio 3,0 Nm).

AXIS T99A10 Positioning Unit 24 V AC/DC



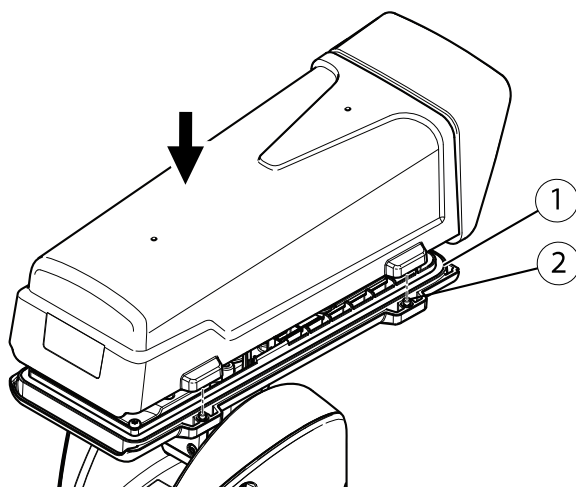
- 1 *Cavo di rete della telecamera*
 - 2 *Cavo di alimentazione della telecamera dal coperchio inferiore alla telecamera (cavo non incluso, connettore incluso)*
 - 3 *Cavo di alimentazione della telecamera dall'unità di posizionamento al coperchio inferiore (cavo e connettore inclusi)*
 - 4 *Cavo dell'interfaccia seriale della telecamera (connettore non incluso)*
7. Collegare i cavi di alimentazione, dell'interfaccia seriale e di rete della telecamera. Per ulteriori informazioni sulle specifiche dei cavi, vedere *Cavo di alimentazione della telecamera alla pagina 166* e *Cavo dell'interfaccia seriale della telecamera alla pagina 166*.



IT

- 1 *Cavo e connettore del riscaldatore*
- 2 *Supporto del riscaldatore con riscaldatore*
- 3 *Vite del supporto del riscaldatore (T20, x2)*

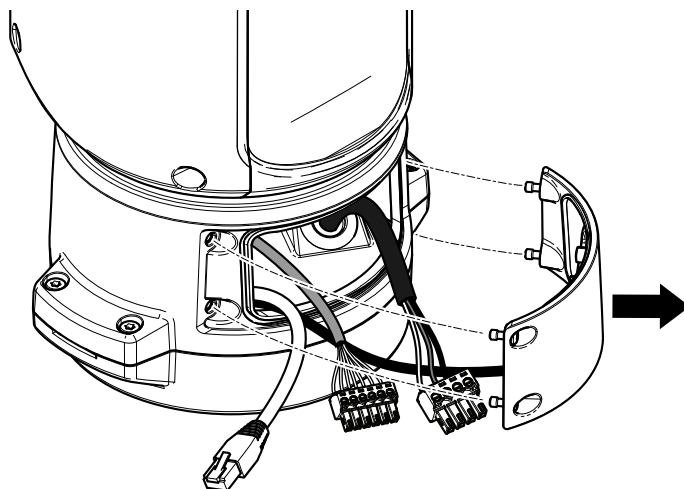
- 8. Montare il supporto del riscaldatore sulla telecamera.
- 9. Montare il supporto del riscaldatore con la telecamera alla parte inferiore dell'alloggiamento della telecamera e serrare le due viti del supporto del riscaldatore (T20, serraggio 0,5 Nm).
- 10. Collegare il cavo del riscaldatore.



- 1 *Guarnizione del coperchio inferiore*
- 2 *Vite del coperchio dell'alloggiamento per telecamera (T20, x4)*

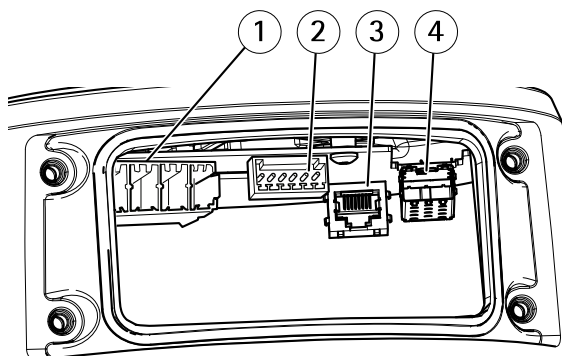
11. Montare il coperchio superiore al coperchio inferiore e serrare le quattro viti del coperchio in modo alternato poco alla volta finché tutte le viti sono serrate (T20, serraggio 1,5 Nm). In questo modo è possibile comprimere la guarnizione nel coperchio inferiore in modo uniforme.

Collegamento dei cavi



IT

1. Allentare le quattro viti (T20) del coperchio e rimuoverlo.



- 1 Connettore ingresso alimentazione
- 2 Connettore I/O
- 3 Connettore RJ45
- 4 Slot SFP per modulo SFP (modulo SFP non incluso)

2. Collegare la rete (fibra ottica e/o RJ45), I/O e i cavi di alimentazione. Per ulteriori informazioni sulle differenti opzioni di connettività di rete, vedere *Installazione del collegamento di rete alla pagina 145*.
3. Riposizionare il coperchio e avvitare le quattro viti (serraggio 3,0 Nm).
4. Applicare l'alimentazione al dispositivo.

Installazione del driver PTZ

Questo dispositivo supporta vari dispositivi. Per un elenco completo dei dispositivi supportati, vedere *axis.com*

Importante

Alcune telecamere potrebbero dover essere installate capovolte nell'alloggiamento per telecamere e alcune potrebbero utilizzare la funzione di rotazione automatica. Prima di installare il driver PTZ, modificare le impostazioni dell'immagine nella visualizzazione in diretta della telecamera per ruotare l'immagine e disattivare la rotazione automatica.

1. Accedere alla pagina Web della telecamera.
2. Nella procedura di installazione guidata, andare a **Select a PTZ mode (Selezionare una modalità PTZ)PTZ driver (Driver PTZ)** dall'elenco a discesa.
3. Dopo aver eseguito l'accesso alla visualizzazione in diretta, andare a **Settings > System > Accessories (Impostazioni > Sistema > Accessori)**.
4. Selezionare una delle seguenti azioni:
 - 4.1 Se il driver PTZ non è caricato, selezionare **Upload driver (Carica driver)**.
 - 4.2 Se il driver PTZ è caricato, andare a **Select driver to use (Seleziona driver da utilizzare)** e selezionare il driver PTZ dall'elenco a discesa.
5. Selezionare un canale video.
6. Configurare l'opzione **Device ID (ID dispositivo)** e selezionare **Device type (Tipo di dispositivo)** dall'elenco a discesa. Per decidere il tipo di dispositivo da utilizzare, vedere la documentazione fornita con il driver PTZ.
7. Andare alla scheda PTZ e controllare che le impostazioni PTZ siano disponibili.

Installazione del kit dell'illuminatore (installazione predefinita)

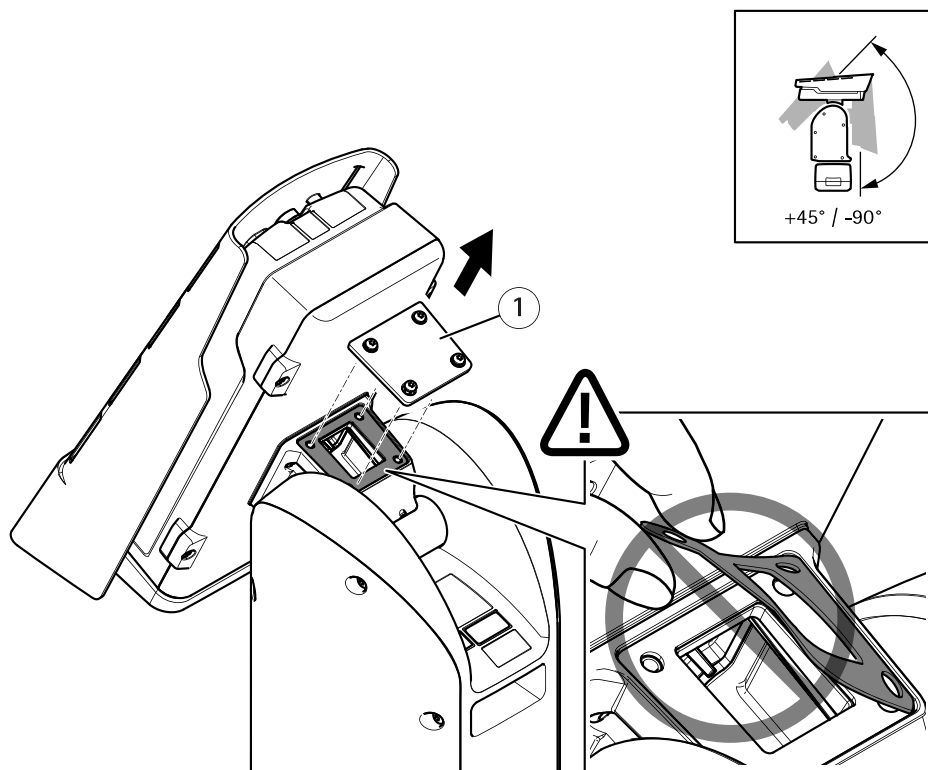
⚠AVVERTENZA

- Rischio di scosse elettriche. Assicurarsi che l'alimentazione sia scollegata.
- L'emissione di luce a infrarossi (gruppo di rischio 2) dagli illuminatori può essere dannosa per gli occhi. Prestare attenzione alle indicazioni fornite. Per ridurre il rischio di danni agli occhi, evitare di guardare a lungo e utilizzare adeguate protezioni per gli occhi quando ci si trova a distanze inferiori a 1,5 m.

⚠ATTENZIONE

AXIS T99A10 Positioning Unit 24 V AC/DC

Durante il normale funzionamento, la superficie dell'illuminatore può raggiungere temperature elevate. Evitare il contatto diretto e posizionare l'apparecchio in un luogo inaccessibile a persone non autorizzate. Prima di toccarlo, spegnere l'illuminatore e lasciarlo raffreddare per almeno 10 minuti.



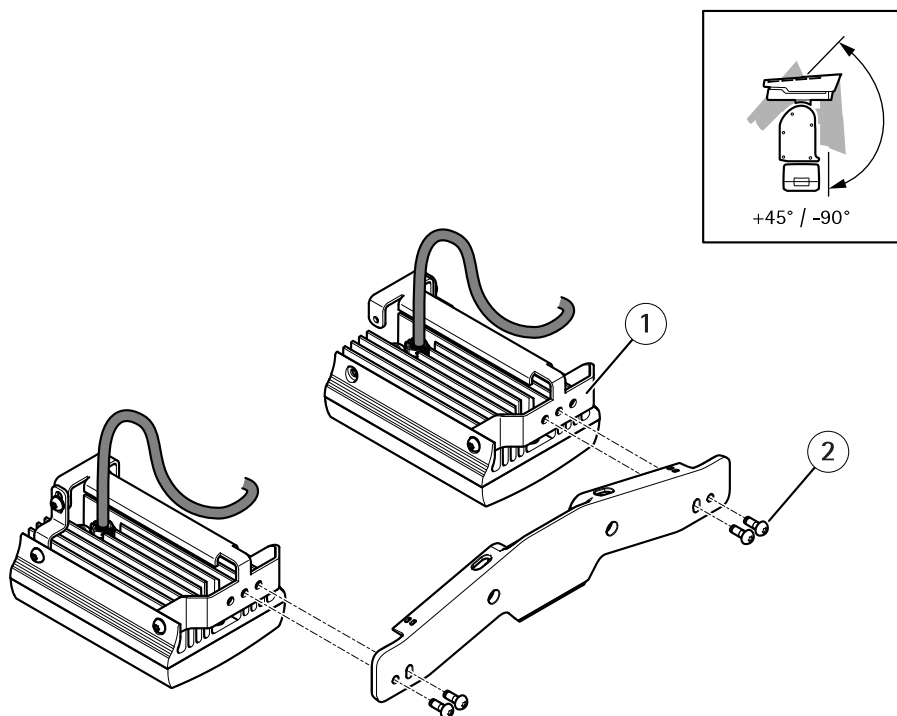
1 Coperchio

1. Rimuovere le quattro viti della copertura (T20) e rimuoverla.

Importante

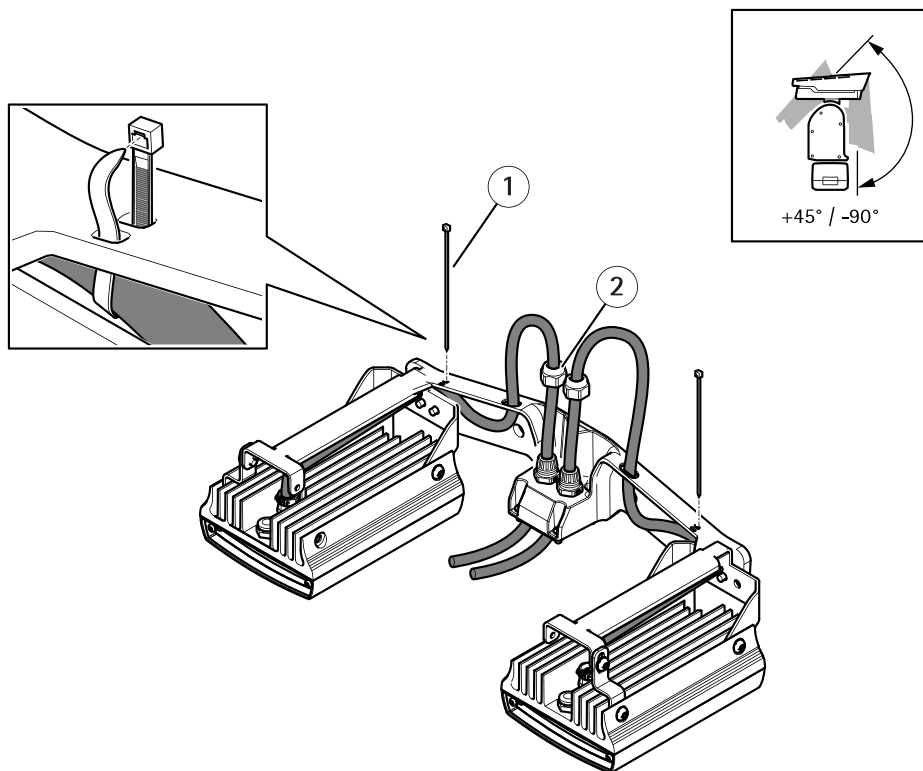
Assicurarsi che la guarnizione sotto il coperchio rimanga in posizione.

AXIS T99A10 Positioning Unit 24 V AC/DC



- 1 *Illuminatore (x2)*
- 2 *Vite (M6, x4)*

2. Fissare gli illuminatori alla staffa dell'illuminatore utilizzando le quattro viti.

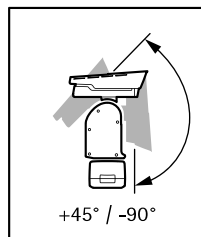
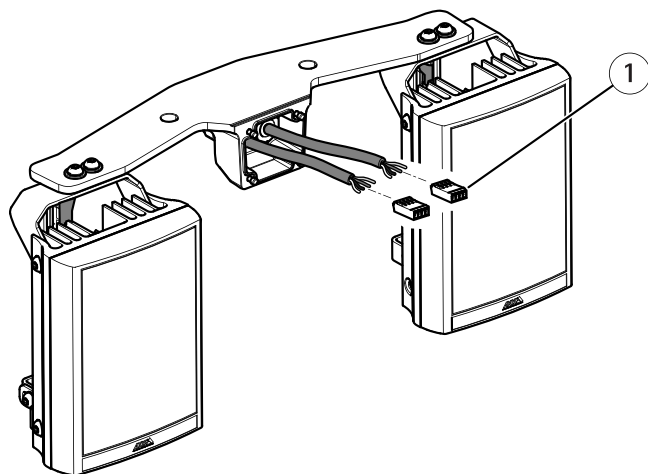


IT

- 1 Fascetta (x2)
- 2 Dado (x2)

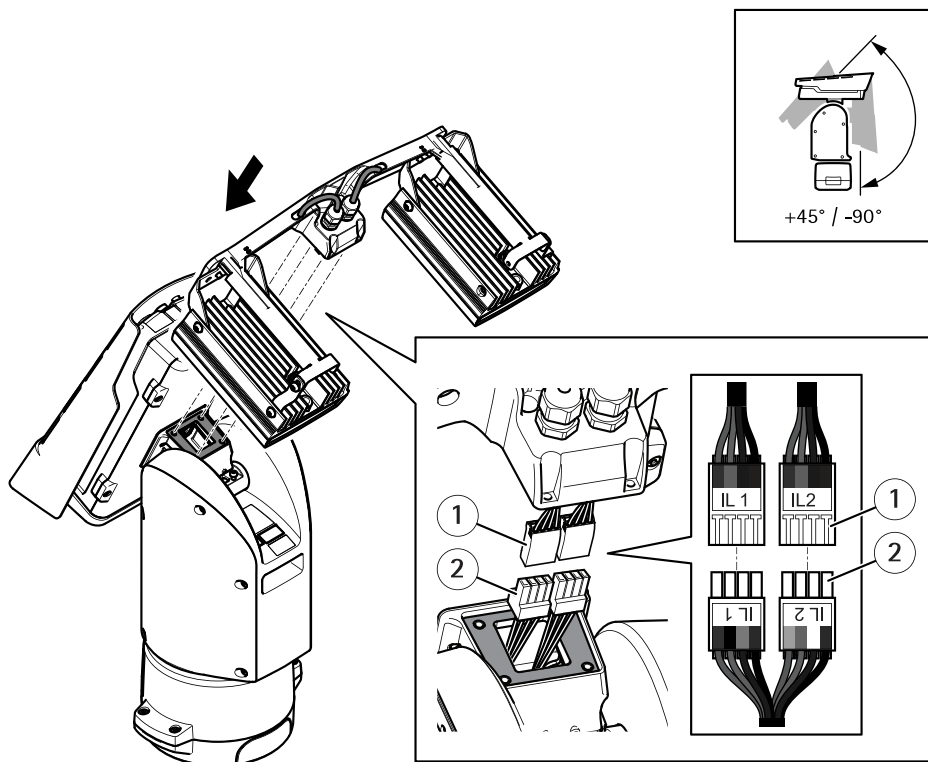
3. Instradare i cavi come mostrato nell'illustrazione sopra riportata e stringere i dadi (coppia da 1,5 Nm).
4. Fissare i cavi alla staffa dell'illuminatore utilizzando gli appositi tiranti.

AXIS T99A10 Positioning Unit 24 V AC/DC



1 Connettore illuminatore (x2)

5. Installare i connettori. Vedere *Connettori* alla pagina 162.



IT

- 1 Connettore dall'illuminatore (x2)
- 2 Connettore dall'unità di posizionamento (x2)

6. Collegamento dei cavi. Vedere *Connettori alla pagina 162*.
7. Fissare la staffa degli illuminatori all'unità di posizionamento utilizzando le quattro viti (T20, coppia da 3,0 Nm).

Nota

Per ulteriori informazioni sul funzionamento degli illuminatori, consultare il manuale del LED dell'illuminatore (controllare il modello sull'etichetta del dispositivo) e il Manuale per l'utente del dispositivo Axis compatibile all'indirizzo www.axis.com

Abilitazione del kit dell'illuminatore

Nota

Ciò si applica solo se è stato installato il kit illuminatore.

Importante

Queste istruzioni si applicano solo al firmware dispositivo delle versioni precedenti alla v8.40.

1. Accedere alla pagina Web del dispositivo.
2. Andare a **Setup > PTZ > Advanced > Device > Extended Driver Specific Settings for Video Source 1** (Configurazione > PTZ > Avanzate > Dispositivo > Impostazioni specifiche del driver esteso per sorgente video 1).
3. Per **Illuminatore > Tipo IL1**:
 - Selezionare **IR** se si è connessi a un illuminatore a infrarossi
 - Selezionare **Bianco** per un illuminatore a luce bianca
4. Ripetere il passaggio sopra riportato per **Illuminatore > Tipo IL2**.

Importante

Queste istruzioni si applicano solo al firmware dispositivo v8.40 o successive.

1. Accedere alla pagina Web del dispositivo.
2. Andare a **Settings > System > Accessories (Impostazioni > Sistema > Accessori)**.
3. Per **Illuminatore > Tipo IL1**:
 - Selezionare **IR** se si è connessi a un illuminatore a infrarossi
 - Selezionare **Bianco** per un illuminatore a luce bianca
4. Ripetere il passaggio sopra riportato per **Illuminatore > Tipo IL2**.

Installazione di una scheda di memoria (opzionale)

Una scheda di memoria standard o ad alta capacità (non inclusa) può essere utilizzata per archiviare le registrazioni in locale nel dispositivo. Vedere *Specifiche alla pagina 162* prima di installare la scheda di memoria.

1. Scollegare l'alimentazione dal dispositivo.
2. Rimuovere le quattro viti della copertura superiore e rimuoverla.
3. Per inserire una scheda di memoria nello slot della scheda di memoria, vedere *Panoramica dell'hardware alla pagina 134*.
4. Rimontare il coperchio superiore e serrare le viti (serraggio 3,0 Nm).
5. Ricollegare l'alimentazione al dispositivo.

Ulteriori Informazioni

- Per la versione più recente di questo documento, visitare il sito all'indirizzo www.axis.com
- Per verificare se sono stati pubblicati aggiornamenti del firmware per il proprio dispositivo, vedere www.axis.com/support
- Per servizi di formazione utili e webinar, visita il sito www.axis.com/academy

Accessori opzionali

Per un elenco completo degli accessori disponibili per questo dispositivo, andare alla pagina del dispositivo al sito axis.com e selezionare Software e accessori.

IT

Informazioni sulla garanzia

Per informazioni sulla garanzia del dispositivo Axis e informazioni ad esso relative, consultare la pagina axis.com/warranty.

Specifiche

Per la versione più aggiornata della scheda tecnica del dispositivo, visitare il sito Web axis.com e trovare la sezione **Support & Documentation (Supporto e documentazione)**.

Connettori

Connettore di rete

Connettore Ethernet RJ45.

Connettore SFP.

AWISO

Il dispositivo deve essere collegato con un cavo di rete schermato (STP) o con cavi in fibra ottica. Tutti i cavi che collegano il dispositivo alla rete sono destinati al loro uso specifico. Accertarsi che i dispositivi di rete siano installati secondo le istruzioni del produttore. Per maggiori informazioni sui requisiti normativi, consultare *Electromagnetic compatibility (EMC) on page 8*.

Connettore I/O

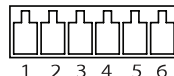
Utilizzare il connettore I/O con dispositivi esterni in combinazione con, ad esempio, rilevamento movimento, attivazione di eventi e notifiche di allarme. Oltre al punto di riferimento 0 V CC e all'alimentazione (uscita CC), il connettore I/O fornisce l'interfaccia per:

Ingresso digitale – Per il collegamento di dispositivi che possono passare dal circuito chiuso al circuito aperto, ad esempio i sensori PIR, i contatti porta/finestra e i rilevatori di rottura.

Uscita digitale – Per il collegamento di dispositivi esterni come relè e LED. I dispositivi collegati possono essere attivati tramite l'API (interfaccia per la programmazione di applicazioni) VAPIX® oppure dalla pagina Web del dispositivo.

Un sensore luce digitale – Per la ricezione del valore dell'intensità di luce dell'ambiente da un sensore di luce esterno. Questo viene utilizzato per controllare le funzioni per le riprese diurne/notturne del dispositivo.

Morsettiera a 6 pin configurabile



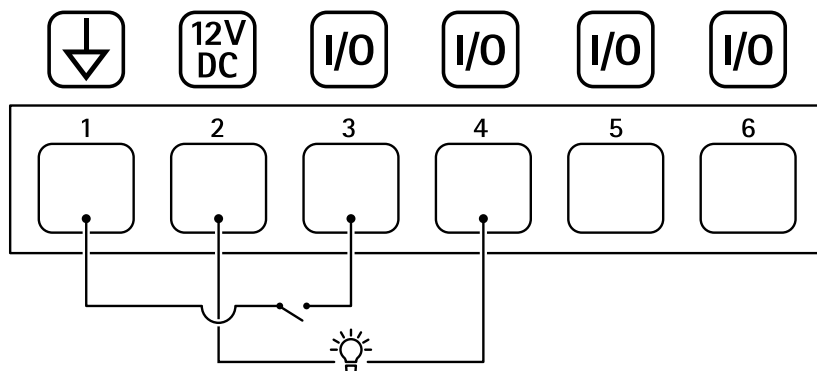
Funzione	Pin	Note	Specifiche
Terra CC	1		0 V CC

AXIS T99A10 Positioning Unit 24 V AC/DC

Uscita CC	2	Può essere utilizzato per alimentare una periferica ausiliaria. Nota: questo pin può essere usato solo come uscita alimentazione.	12 V CC Carico massimo = 50 mA
Configurabile (input oppure output)	3-6	Ingresso digitale: collegare al pin 1 per attivarlo oppure lasciarlo isolato (scollegato) per disattivarlo.	Da 0 a max 30 V CC
		Uscita digitale: collegato internamente al pin 1 (terra CC) quando attivo e isolato (scollegato) quando inattivo. Se utilizzata con un carico induttivo, ad esempio un relè, collegare un diodo in parallelo al carico per proteggere il dispositivo da sovratensioni.	Da 0 a max 30 V CC, open drain, 100 mA

IT

Esempio



- 1 Terra CC
- 2 Output CC 12 V, max 50 mA
- 3 I/O configurato come input
- 4 I/O configurato come output
- 5 I/O configurabile
- 6 I/O configurabile

Connettore di alimentazione

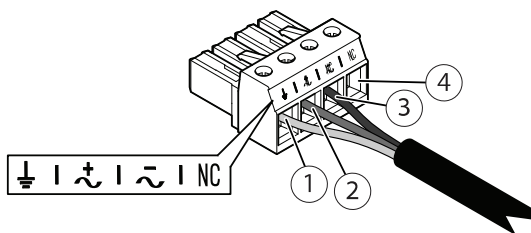
Morsettiera a 4 pin per ingresso alimentazione.

AXIS T99A10 Positioning Unit 24 V AC/DC

Connettore di alimentazione 24 V CA/CC

AWISO

Questa sezione è valida solo per i dispositivi alimentati a 24 V CA e 24 V CC.



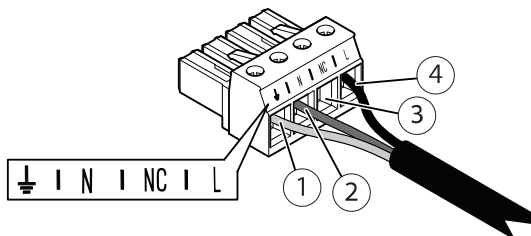
Questa tabella è valida solo per i connettori di alimentazione da 24 V CA e da 24 V CC.

Posizione	24 V CA	24 V CC
1	Messa a terra di protezione	Messa a terra di protezione
2	Fase 24 V CA	+ 24 V
3	24 V CA Neutro	0 V
4	Non connesso	Non connesso

Connettore di alimentazione 240 V CA

AWISO

Questa sezione è valida solo per i dispositivi alimentati a 100 – 240 V CA.



AXIS T99A10 Positioning Unit 24 V AC/DC

Questa tabella è valida solo per il connettore di alimentazione da 240 V CA.

Posizione	100 – 240 V CA
1	Messa a terra di protezione
2	240 V CA Neutro
3	Non connesso
4	Fase 240 V CA

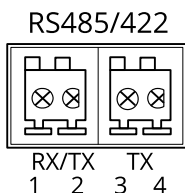
Connettore RS485/RS422

Due morsettiere a 2 pin per l'interfaccia seriale RS485/RS422 utilizzate per il controllo di periferiche ausiliarie come i dispositivi di rotazione/inclinazione.

IT

La porta seriale può essere configurata per supportare:

- RS485 a due fili, half-duplex
- RS485 a quattro fili, full-duplex
- RS422 a due fili, simplex
- Comunicazione full-duplex punto a punto con RS422 a quattro fili



Funzione	Pin	Note
RS485/RS422 RX/TX A	1	(RX) Per RS485/RS422 full duplex (RX/TX) Per RS485 half duplex
RS485/RS422 RX/TX B	2	
RS485/RS422 TX A	3	(TX) Per RS485/RS422 full-duplex
RS485/RS422 TX B	4	

Cavi

Spessore del cavo

Quando si utilizzano le guarnizioni per cavo fornite con il dispositivo, il diametro del cavo deve essere compreso nell'intervallo tra 5 e 11 mm.

AWISO

- Utilizzare cavi di lunghezza adeguata all'area specificata
- Selezionare i cavi nel rispetto delle normative locali
- Verificare che tutti i fori dei cavi siano correttamente sigillati
- Utilizzare guarnizioni per cavi o pressacavi corrispondenti al foro e all'area dei cavi

Per informazioni sugli accessori disponibili, come ad esempio guarnizioni per cavi e pressacavi adatti per altre aree dei cavi, visitare il sito Web www.axis.com.

Cavo dell'interfaccia seriale della telecamera

Colore del cavo	Specifica
Bianco	RS485A
Verde	RS485B

Cavo di alimentazione della telecamera

Colore del cavo	Specifica
Rosso	+ 24 V CC
Nero	0 V

Condizioni di funzionamento

Questo dispositivo Axis è destinato all'uso interno ed esterno.

Temperatura	Umidità
Normale: Da -50 °C a 60 °C	10 – 100% umidità relativa (senza condensa)
Massimo (intermittente): 65 °C	
Avvio a freddo: da -40°C a 60°C	

Il tempo di avvio è di 2 minuti da 0 °C a 50 °C (da 32 °F a 122 °F).

Consumo energetico

Consumo tipico	Consumo massimo
10 W	169 W

Importante

Quando si utilizza AXIS Cable 24 V CC/24–240 V CA da 22 m, è necessario utilizzare un alimentatore in grado di fornire 220 W a compensazione della perdita di alimentazione del cavo.

AVVISO

I valori tipici di consumo energetico sono basati su:

- Perdite nei cavi di alimentazione ignorate
- Nessun posizionamento attivo
- Temperatura di 25 °C (con tutti i riscaldatori spenti)
- Un flusso H.264 alla massima risoluzione
- Flusso MJPEG registrato sulla scheda di memoria

Información de seguridad

Niveles de peligro

▲PELIGRO

Indica una situación peligrosa que, si no se evita, provocará lesiones graves o la muerte.

▲ADVERTENCIA

Indica una situación peligrosa que, si no se evita, puede provocar lesiones graves o la muerte.

▲ATENCIÓN

Indica una situación peligrosa que, si no se evita, puede provocar lesiones moderadas o leves.

AVISO

Indica una situación peligrosa que, si no se evita, puede provocar daños materiales.

ES

Otros niveles de mensaje

Importante

Indica información importante que es fundamental para que el producto funcione correctamente.

Nota

Indica información útil que ayuda a aprovechar el producto al máximo.

Instrucciones de seguridad


⚠ PELIGRO

Riesgo de descarga eléctrica. Todos los cables deberán estar sin energía antes de realizar trabajos de instalación o mantenimiento en el producto.


⚠ ADVERTENCIA

El producto de Axis debe instalarlo un profesional formado conforme las leyes y normativas locales.

⚠ ATENCIÓN

 Riesgo de lesiones. Piezas móviles. No acerque ninguna parte del cuerpo al producto mientras esté funcionando. Desconecte la fuente de alimentación antes de realizar trabajos de instalación o mantenimiento en el producto.

⚠ ATENCIÓN

 Riesgo de lesiones. Superficie caliente. No toque el producto durante su funcionamiento. Desconecte la fuente de alimentación y deje que se enfríen las superficies antes de realizar trabajos de mantenimiento en el producto.

AVISO

- Este producto de Axis debe utilizarse de acuerdo con las leyes y normativas locales.
- Almacene el producto de Axis en un entorno seco y ventilado.
- Evite la exposición del producto de Axis a choques o a una fuerte presión.
- No instale el producto en postes, soportes, superficies o paredes inestables.
- Utilice solo las herramientas correspondientes cuando instale el producto de Axis. La aplicación de una fuerza excesiva con herramientas eléctricas puede provocar daños en el producto.
- No utilice limpiadores en aerosol, agentes cáusticos ni productos químicos.
- Limpie con un paño limpio humedecido con agua pura.
- Utilice solo accesorios que cumplan con las especificaciones técnicas de su producto. Estos accesorios los puede proporcionar Axis o un tercero. Axis recomienda utilizar un equipo de suministro de alimentación de Axis compatible con su producto.
- Utilice solo piezas de repuesto proporcionadas o recomendadas por Axis.
- No intente reparar el producto usted mismo. Póngase en contacto con el servicio de asistencia técnica de Axis o con su distribuidor de Axis para tratar asuntos de reparación.
- No coloque el objetivo de la cámara apuntando hacia el sol u otras fuentes de radiación de alta intensidad ya que podría dañar la cámara.
- Use un cable de tierra de color verde-amarillo de al menos 0,5 mm² o AWG 20.

Transporte

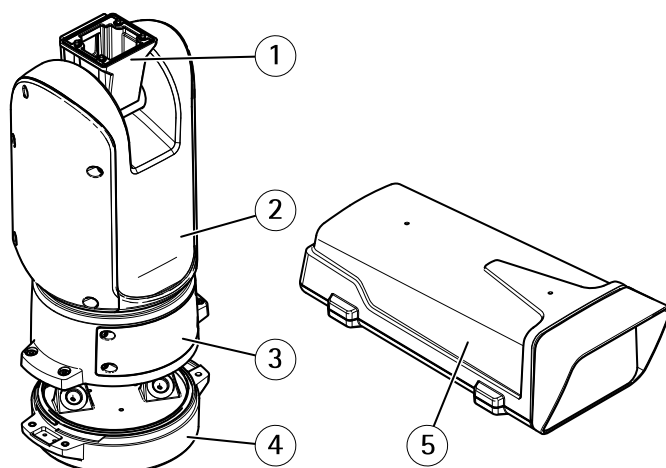
AVISO

- Cuando transporte el producto de Axis, utilice el embalaje original o un equivalente para evitar daños en el producto.

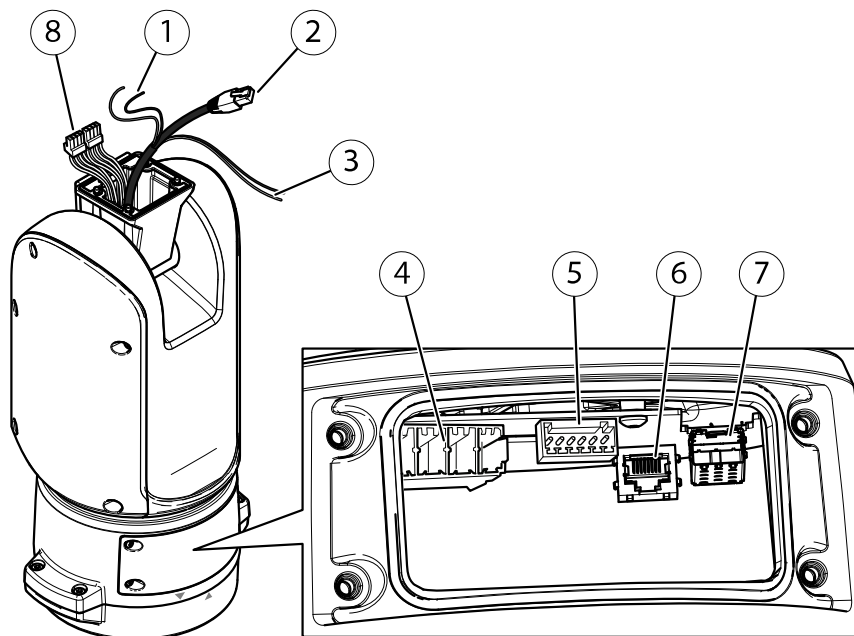
Contenido del paquete

- Unidad de posicionamiento
- Carcasa de cámara
- Conector de alimentación
- Conector de E/S
- Torx® punta T20 y T30
- Materiales impresos
 - Guía de instalación (este documento)
 - Etiqueta adicional con el número de serie (2)
 - Clave de autenticación AVHS

Información general del hardware



- 1 *Unidad de posicionamiento (movimiento horizontal/vertical)*
- 2 *Unidad de posicionamiento (movimiento horizontal)*
- 3 *Tapa*
- 4 *Unidad base*
- 5 *Carcasa de cámara*



- 1 Cable de alimentación de la cámara
- 2 Cable de red a la cámara
- 3 Cable de interfaz serie de la cámara
- 4 Conector de entrada de corriente
- 5 Conector de E/S
- 6 Conector RJ45
- 7 Ranura SFP para módulo SFP (módulo SFP no incluido)
- 8 Cables de iluminador

Cómo instalar el producto

Principales tareas de instalación

1. *Montaje de la unidad base*
2. *Guía de los cables*
3. *Instalación del enlace de red*
4. *Instalación de la cámara*
5. *Conexión de los cables*
6. *Instalación del controlador PTZ*
7. *Instalar el kit de iluminador (instalación predeterminada)*
8. *Activar el kit de iluminador*
9. *Instalación de una tarjeta SD (opcional)*


⚠ PELIGRO

Riesgo de descarga eléctrica. Todos los cables deben estar sin energía antes de instalar el producto.


⚠ ATENCIÓN

Las conexiones eléctricas y las instalaciones de los conductos debe realizarlas un electricista cualificado, de conformidad con la normativa local.

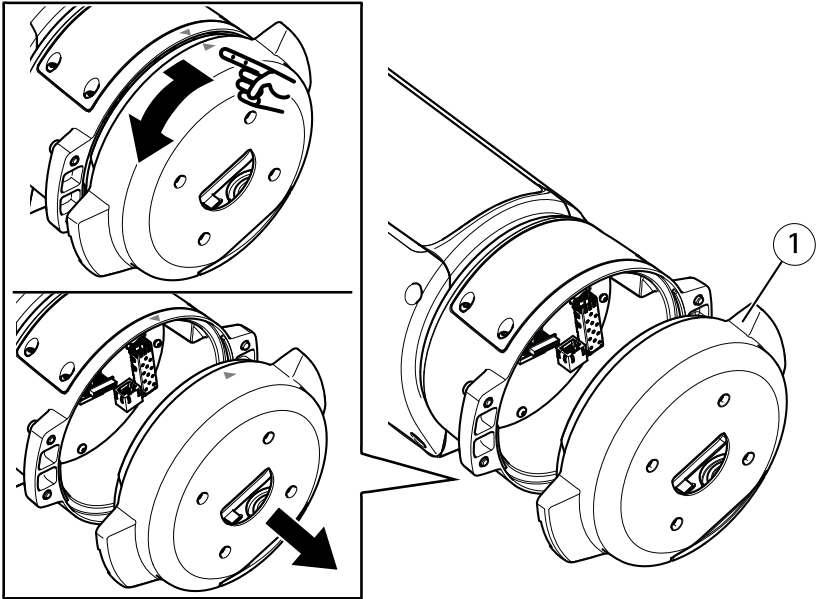
⚠ ATENCIÓN

 Riesgo de lesiones. Piezas móviles. No acerque ninguna parte del cuerpo al producto mientras esté funcionando. Desconecte la fuente de alimentación antes de realizar trabajos de instalación o mantenimiento en el producto.

⚠ ATENCIÓN

 Riesgo de lesiones. Superficie caliente. No toque el producto durante su funcionamiento. Desconecte la fuente de alimentación y deje que se enfríen las superficies antes de realizar trabajos de mantenimiento en el producto.

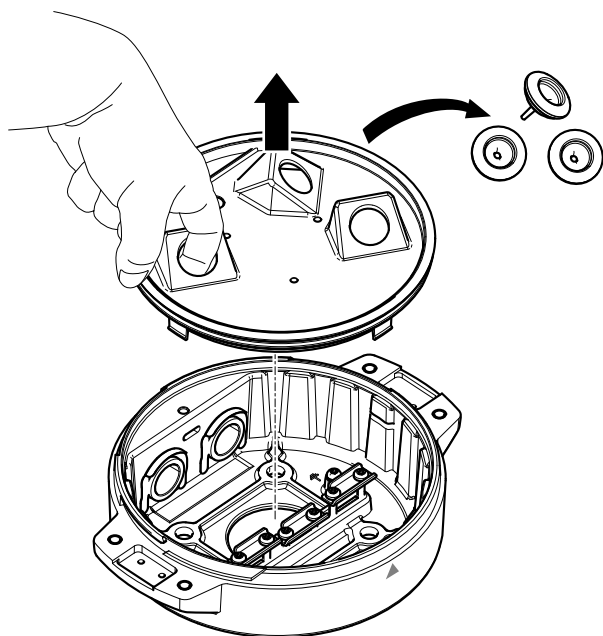
Montaje de la unidad base



1 Unidad base

1. Quite los cuatro tornillos (T30) de la unidad base.
2. Tire de la base a la vez que la gira en sentido contrario a las agujas del reloj hasta que estén alineadas las flechas de la unidad base con el resto de la unidad.
3. Extraiga la unidad base.

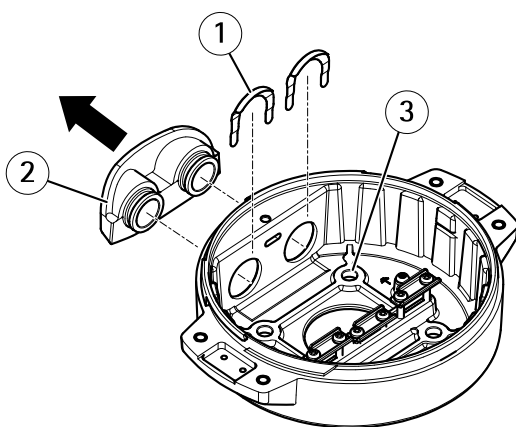
AXIS T99A10 Positioning Unit 24 V AC/DC



AVISO

No utilice herramientas afiladas al quitar la cubierta transparente de la unidad base.

4. Extraiga la cubierta transparente de la unidad base.



- 1 *Clip de cubierta de conducto*

- 2 Cubierta de conducto
- 3 Orificio para tornillo (4)

- 5. Para instalaciones con conducto solo: retire los dos clips de cubierta de conducto y la cubierta de conducto a continuación.
- 6. Fije la unidad base a la superficie de montaje con los fijadores adecuados en los cuatro orificios para tornillos.

Guía de los cables

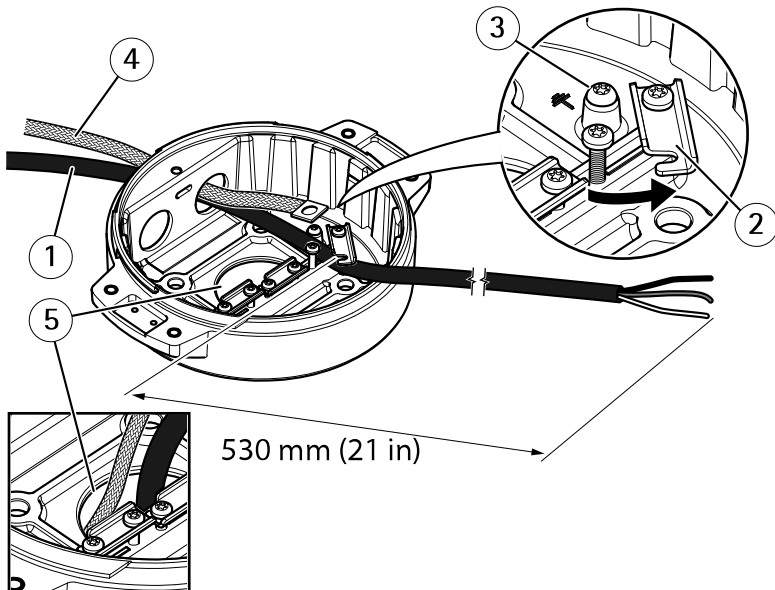
⚠ADVERTENCIA

Riesgo de descarga eléctrica. El producto debe conectarse a tierra mediante el cable a tierra protector en el cable de alimentación y el cable trenzado de tierra. Asegúrese de que los dos extremos del cable de tierra protector y el cable trenzado de tierra estén en contacto con sus respectivas superficies de toma de tierra.

Importante

Utilice solo los cables que cumplan los requisitos del área de cableado especificada. Para obtener más información, consulte *Grosor del cable en la página 205*.

ES

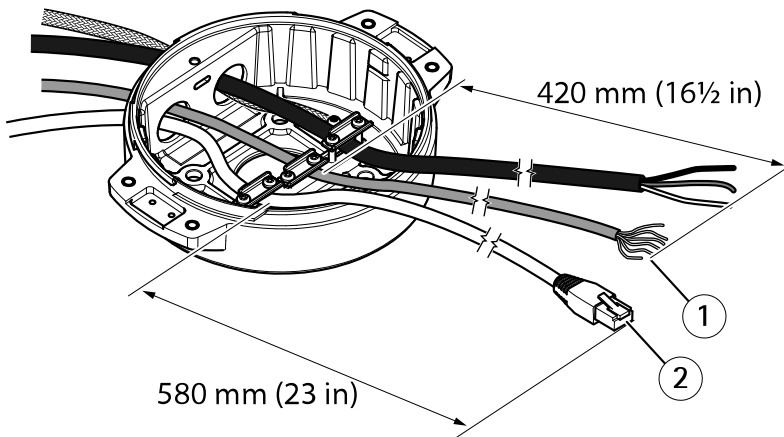


- 1 Cable de alimentación (no incluido)
- 2 Descarga de tracción
- 3 Tornillo de toma de tierra

AXIS T99A10 Positioning Unit 24 V AC/DC

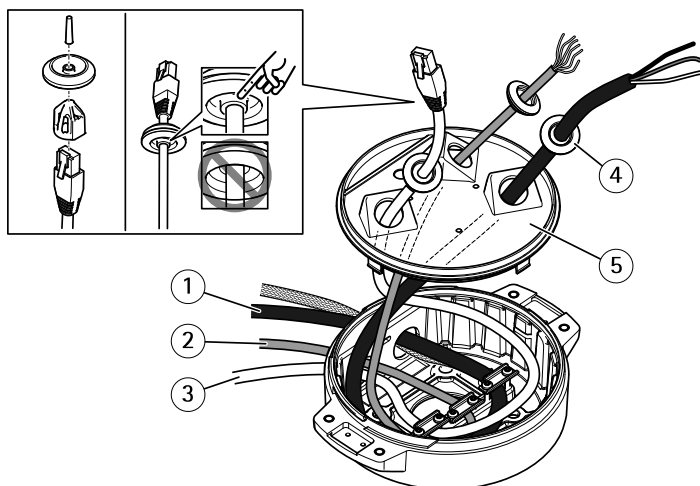
- 4 Cable trenzado de tierra (no incluido)
- 5 Orificio inferior para cable

1. Instale los adaptadores de conducto opcionales (no incluidos).
2. Conecte el cable trenzado de tierra al tornillo de tierra.
3. Pase el cable de alimentación, el cable de E/S y el cable de red a través del orificio de la unidad base como se muestra en la ilustración anterior. También puede pasarlos por el orificio del cable inferior.
4. Pase el cable de alimentación por la descarga de tracción con una distancia de 530 mm entre esta y el extremo del cable.



- 1 Cable de E/S (opcional, no incluido)
- 2 Cable de red (no incluido)

5. Introduzca el cable de E/S (opcional) a través de la descarga de tracción con una distancia de 420 mm entre esta y el extremo del cable.
6. Introduzca el cable de red (cable de fibra óptica o cable RJ45) con una distancia de 580 mm entre la descarga de tracción y el extremo del conector. Para obtener más información sobre las opciones de conectividad de la red, consulte *Instalación del enlace de red en la página 184*.
7. Cierre y apriete las tres descargas de tracción.



- 1 Cable de alimentación (no incluido)
- 2 Cable de E/S (opcional, no incluido)
- 3 Cable de red (no incluido)
- 4 Junta de cable
- 5 Cubierta transparente de la unidad base

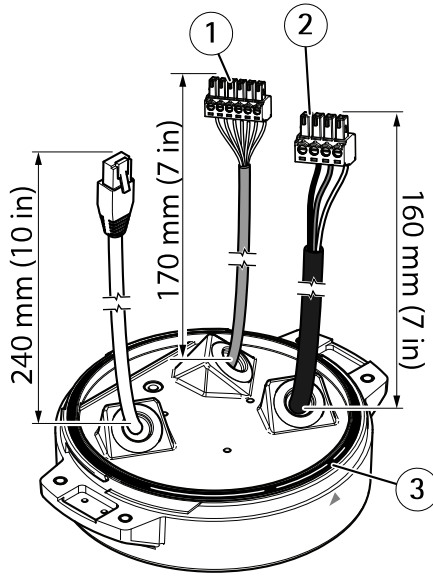
8. Ponga juntas en los cables. Consulte *Grosor del cable en la página 205*.
9. Pase los cables de alimentación, E/S y red con las juntas por los orificios de la cubierta transparente de la unidad base y dispóngalos como se muestra en la ilustración anterior.

AVISO

Si usa un cable de fibra óptica y un cable RJ45 para la conexión de red, pase el cable de fibra óptica por la misma junta que el cable de E/S. Aplique un sellador entre los cables y la junta de cable para que no haya fugas. Para obtener más información sobre las opciones de conectividad de la red, consulte *Instalación del enlace de red en la página 184*.

10. Vuelva a poner la cubierta transparente de la unidad base en la unidad y ponga las juntas de cable en los orificios.

AXIS T99A10 Positioning Unit 24 V AC/DC



- 1 Conector de E/S
- 2 Conector de alimentación
- 3 Junta tórica

AVISO

Asegúrese de que el cable de tierra protector sea unos 10 mm más largo que los otros dos cables del cable de alimentación, de forma que no se desconecte accidentalmente si se tira de él.

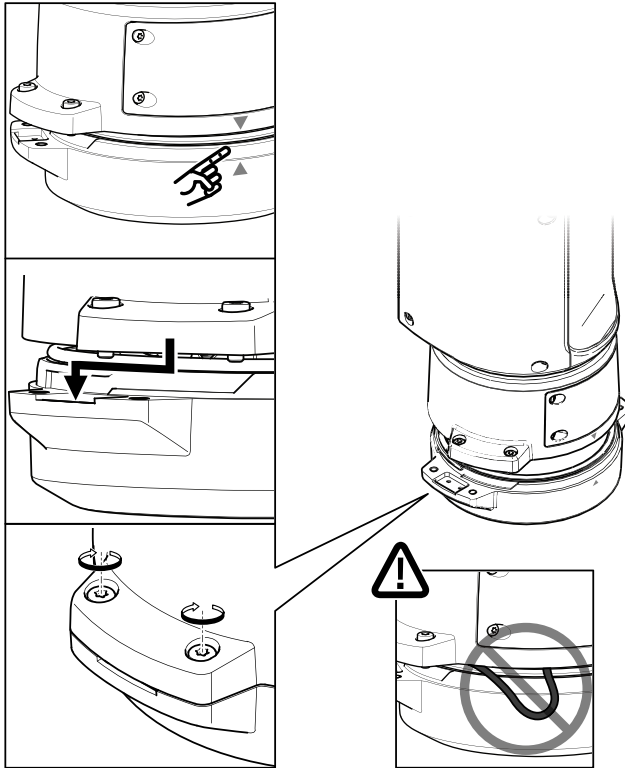
Nota

Recomendamos pelar unos 90 mm de la funda del cable de alimentación y unos 70 mm de la funda del cable de E/S para facilitar la instalación.

11. Para instalar los conectores de alimentación y E/S, consulte *Conectores en la página 201*.
12. Ajuste los cables de red, E/S y alimentación de forma que la distancia entre la junta de cable y el extremo del conector sea de 240 mm, 170 mm y 160 mm respectivamente.

AVISO

Compruebe que la junta tórica está bien puesta en torno a la cubierta transparente de la unidad base.



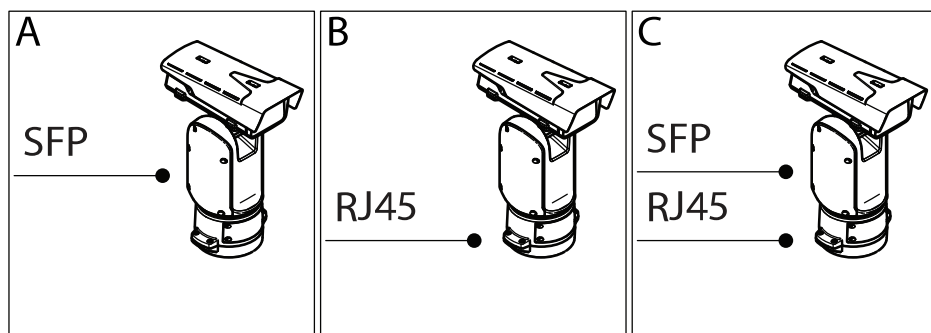
ES

13. Vuelva a poner la unidad de posicionamiento en la unidad base, comprobando que las flechas de ambas unidades están alineadas.
14. Gire la unidad de posicionamiento en sentido horario hasta su posición original y apriete los cuatro tornillos de la base (par 3,0 Nm).

AVISO

Compruebe que los cables no quedan presionados al montar las dos unidades.

Instalación del enlace de red



Existen distintas opciones para instalar el enlace de red:

- A: a través de un cable de fibra óptica o RJ45 conectado al módulo SFP (el conector necesario) en la ranura SFP.
- B: con un cable RJ45 unido al conector RJ45 fijado.
- C: mediante las dos opciones anteriores, en cuyo caso la conexión a través del módulo SFP funciona como enlace de red principal y la conexión a través del conector RJ45 fijado es el enlace para casos de error.

Para obtener más información sobre las ubicaciones de los conectores de red, consulte *Conectores en la página 201*.

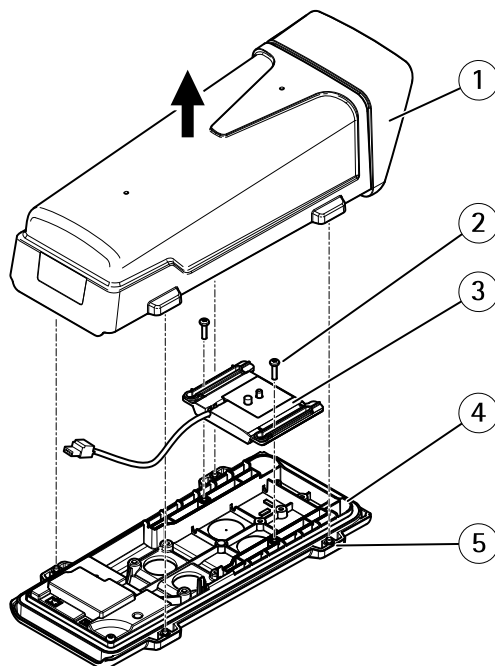
Nota

- El módulo SFP no se incluye. Para obtener información sobre los módulos SFP disponibles, consulte www.axis.com.
- El establecimiento del enlace de red únicamente con el cable de fibra óptica a través del módulo SFP respectivo funciona como solución independiente en instalaciones con cables de largo alcance.

Instalación de la cámara

AVISO

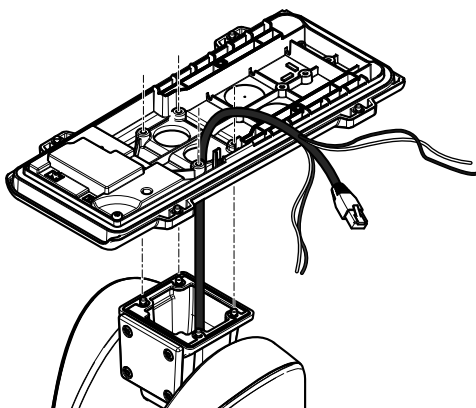
Este producto admite distintas cámaras de red. Para ver la lista de todas las cámaras compatibles, consulte www.axis.com.



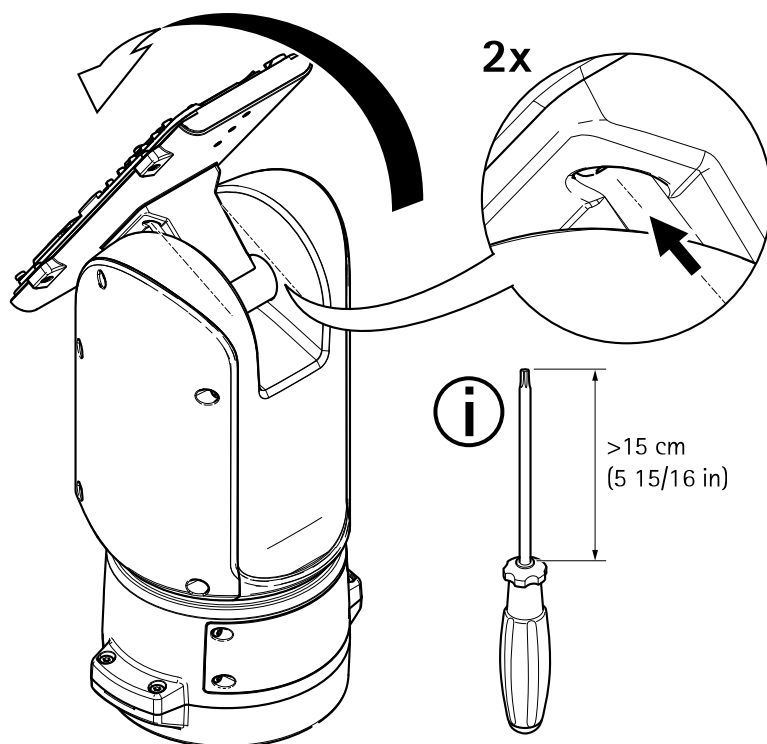
- 1 *Cubierta superior de la carcasa de la cámara*
- 2 *Tornillos del soporte del calefactor (T20) (2)*
- 3 *Soporte del calefactor con calefactor*
- 4 *Cubierta inferior de la carcasa de la cámara*
- 5 *Tornillos de la cubierta de la carcasa de la cámara (T20) (4)*

1. Extraiga los cuatro tornillos de la cubierta de la carcasa de la cámara (T20) y separe la cubierta superior de la inferior.
2. Extraiga los dos tornillos del soporte del calefactor (T20) y separe el calefactor de la cubierta inferior.

AXIS T99A10 Positioning Unit 24 V AC/DC



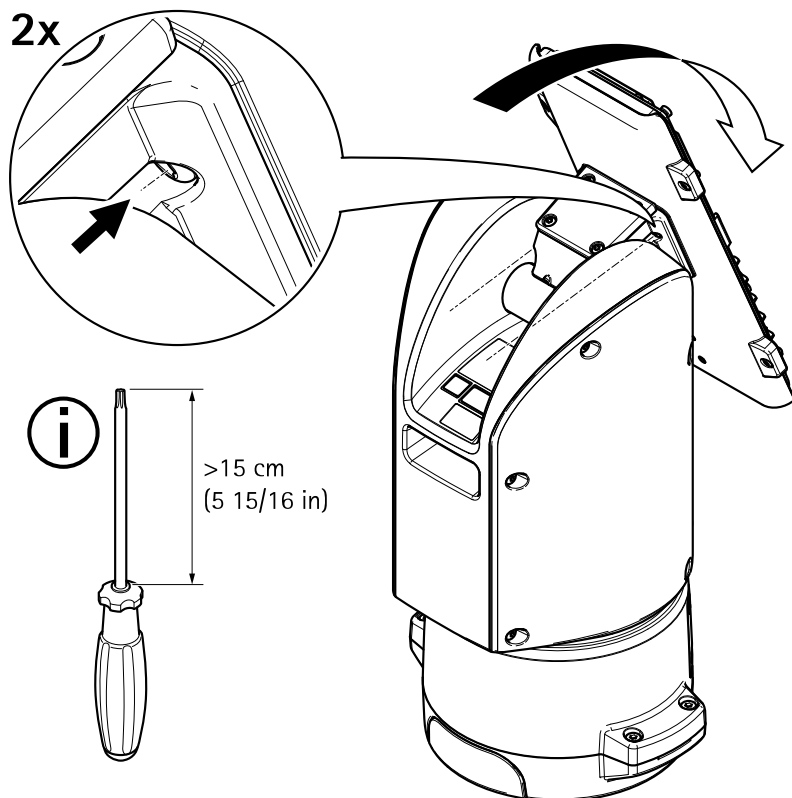
3. Pase el cable de red/alimentación/interfaz serie por el orificio de la cubierta inferior.
4. Ponga la cubierta inferior en la unidad de posicionamiento.



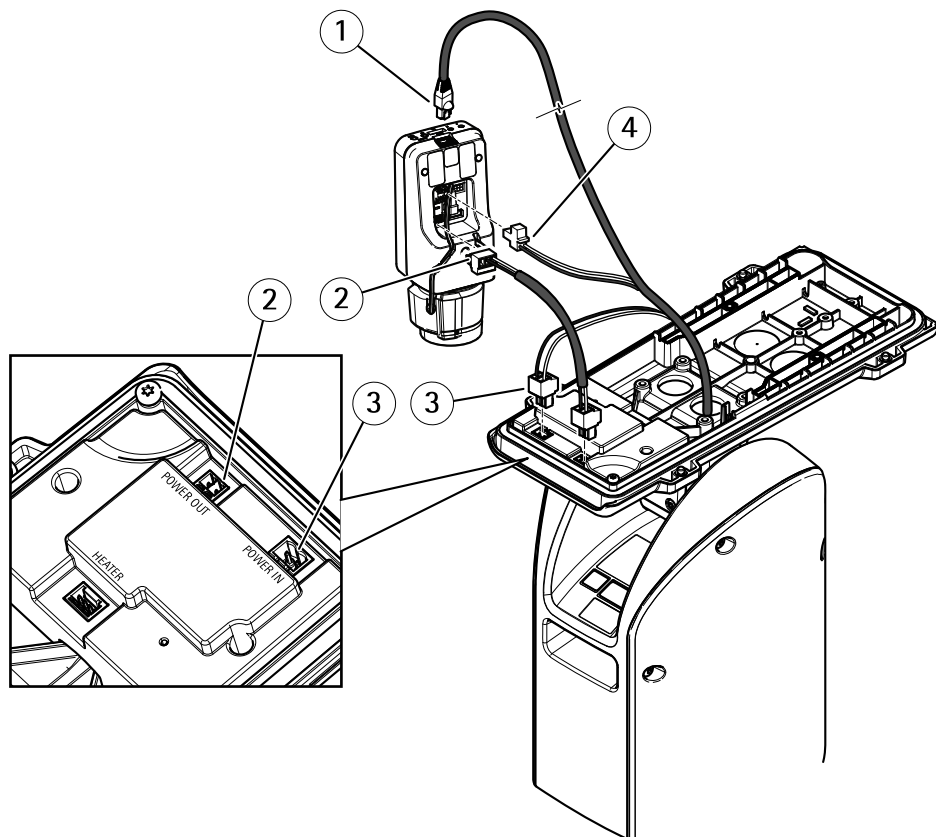
5. Incline la cubierta inferior hacia atrás al máximo y apriete los dos tornillos delanteros de la unidad de posicionamiento (T20, par 3,0 Nm).

AVISO

Use un destornillador de hoja larga para llegar a los tornillos de la unidad de posicionamiento (consulte la imagen superior).



6. Incline la cubierta inferior hacia delante al máximo y apriete los dos tornillos traseros de la unidad de posicionamiento (T20, par 3,0 Nm).

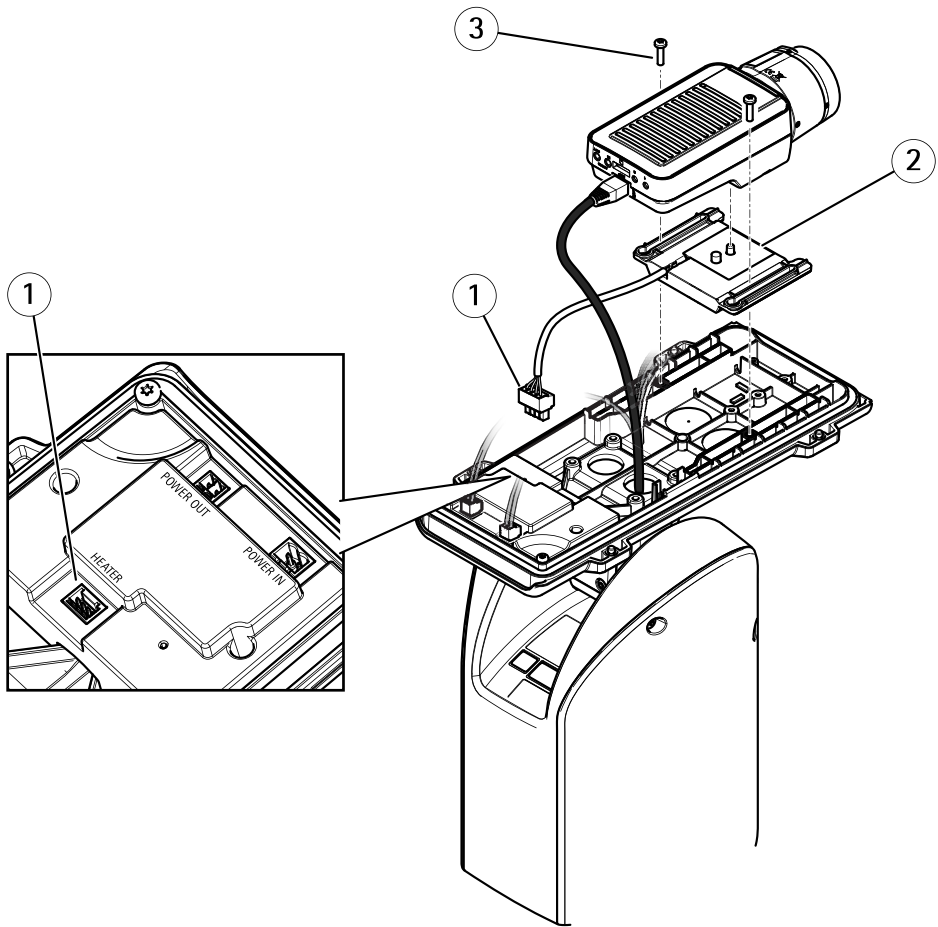


ES

- 1 Cable de red de la cámara
- 2 Cable de alimentación de la cubierta inferior a la cámara (cable no incluido, conector incluido)
- 3 Cable de alimentación de la unidad de posición a la cubierta inferior (cable y conector incluidos)
- 4 Cable de interfaz serie a la cámara (conector no incluido)

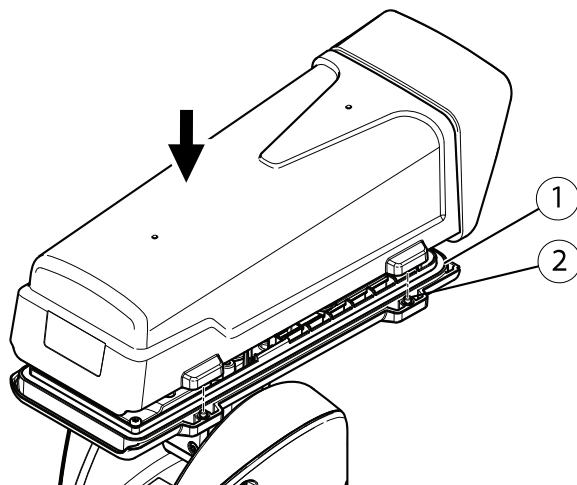
7. Conecte los cables de red, interfaz serie y alimentación de la cámara. Para obtener más información sobre las especificaciones de los cables, consulte *Cable de alimentación de la cámara* en la página 205 y *Cable de interfaz serie de la cámara* en la página 205.

AXIS T99A10 Positioning Unit 24 V AC/DC



- 1 Conector y cable del calefactor
- 2 Soporte del calefactor con calefactor
- 3 Tornillos del soporte del calefactor (T20, 2)

8. Fije el soporte del calefactor a la cámara.
9. Fije el soporte del calefactor con la cámara a la parte inferior de la carcasa de la cámara y apriete los dos tornillos del soporte del calefactor (T20, par 0,5 Nm).
10. Conecte el cable del calefactor.

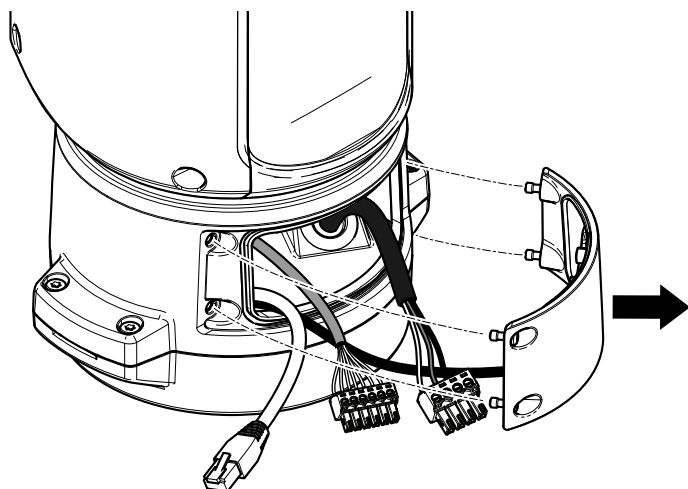


ES

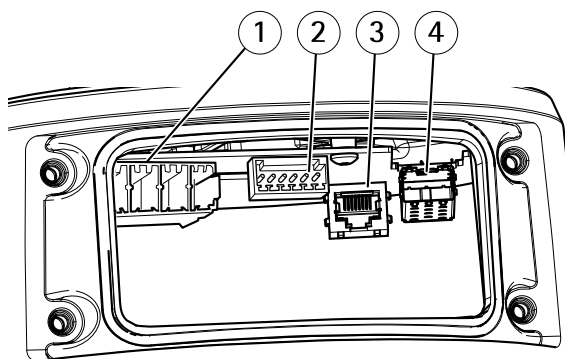
- 1 Junta de la cubierta inferior
- 2 Tornillos de la cubierta de la carcasa (T20, 4)

11. Una las cubiertas superior e inferior y vaya apretando poco a poco, alternativamente, los cuatro tornillos de la cubierta, hasta que todos estén apretados (T20, par 1,5 Nm). De este modo contribuirá a garantizar que la junta de la cubierta inferior se comprime uniformemente.

Conexión de los cables



1. Afloje los cuatro tornillos (T20) de la tapa de la base y retírela.



- 1 Conector de entrada de corriente
- 2 Conector de E/S
- 3 Conector RJ45
- 4 Ranura SFP para módulo SFP (módulo SFP no incluido)

2. Conecte la red (fibra óptica o RJ45), la E/S y los cables de alimentación. Para obtener más información sobre las opciones de conectividad de la red, consulte *Instalación del enlace de red en la página 184*.

3. Vuelva a colocar la tapa y apriete los cuatro tornillos de la tapa (par 3,0 Nm).
4. Conecte la alimentación del producto.

Instalación del controlador PTZ

Este producto admite distintos dispositivos. Para ver la lista de todos los dispositivos compatibles, consulte axis.com.

Importante

Algunas cámaras se tienen que instalar mirando hacia abajo en la carcasa y en otras se puede usar la característica de rotación automática. Antes de instalar el controlador PTZ, edite los ajustes de imagen de la visualización en directo de la cámara para girar la imagen y desactive la rotación automática.

1. Vaya a la página web de la cámara.
2. En el asistente de instalación, vaya **Select a PTZ mode (Seleccione un modo PTZ)** y seleccione **PTZ driver (Controlador PTZ)** en la lista desplegable.
3. Una vez que haya accedido a la visualización en directo, vaya a **Settings > System > Accessories (Ajustes > Sistema > Accesorios)**.
4. Seleccione una de las siguientes acciones:
 - 4.1 Si no se ha cargado el controlador PTZ, seleccione **Upload driver (Cargar controlador)**.
 - 4.2 Si el controlador PTZ se ha cargado, vaya a **Select driver to use (Seleccionar controlador para usar)** y seleccione el controlador PTZ en la lista desplegable.
5. Seleccione un canal de vídeo.
6. Introduzca el **Device ID (ID de dispositivo)** y seleccione el **Device type (Tipo de dispositivo)** en la lista desplegable. Para decidir el tipo de dispositivo que va a utilizar, consulte la documentación suministrada con el controlador PTZ.
7. Vaya a la pestaña PTZ y compruebe que los ajustes de PTZ estén disponibles.

ES

Instalar el kit de iluminador (instalación predeterminada)

⚠ADVERTENCIA

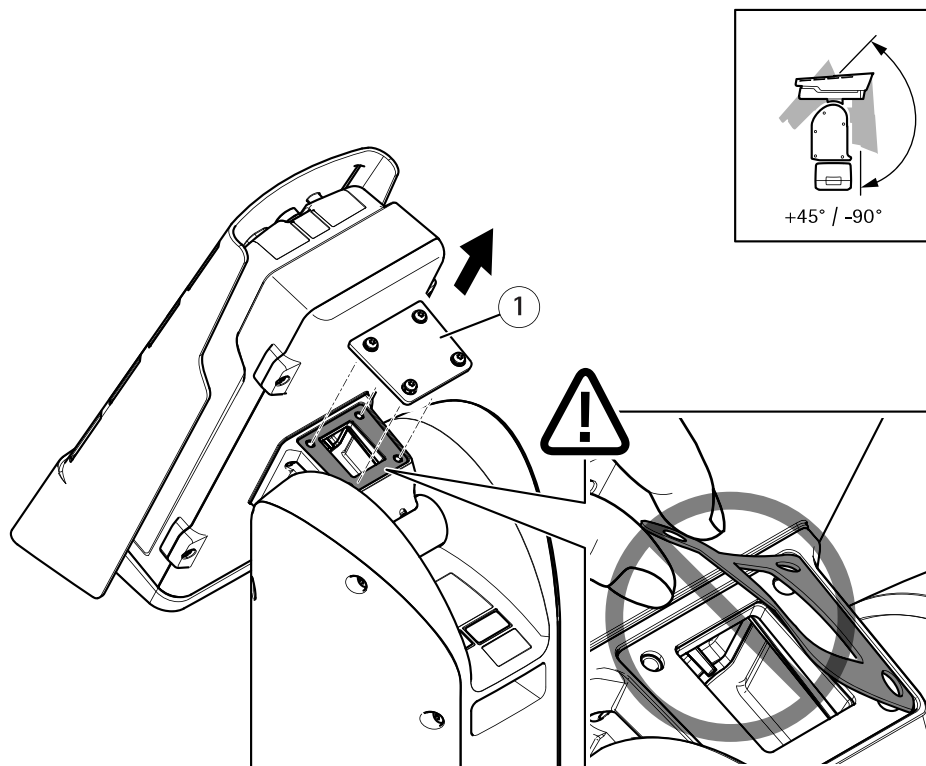
- Riesgo de descarga eléctrica. Asegúrese de que la fuente de alimentación esté desconectada.
- La emisión de luz infrarroja (grupo de riesgo 2) de los iluminadores puede ser perjudicial para los ojos. Preste atención a las indicaciones facilitadas. Para reducir los riesgos de daños para los ojos, evite la exposición prolongada de los ojos y utilice protectores o dispositivos de protección para los ojos si se encuentra a distancias inferiores a 1,5 m.

⚠ATENCIÓN

La superficie del iluminador puede calentarse mucho durante el funcionamiento normal. Evite el contacto directo y coloque el aparato en un lugar inaccesible para el personal no

AXIS T99A10 Positioning Unit 24 V AC/DC

autorizado. Antes de tocar el iluminador, desconéctelo y deje que se enfríe durante al menos 10 minutos.

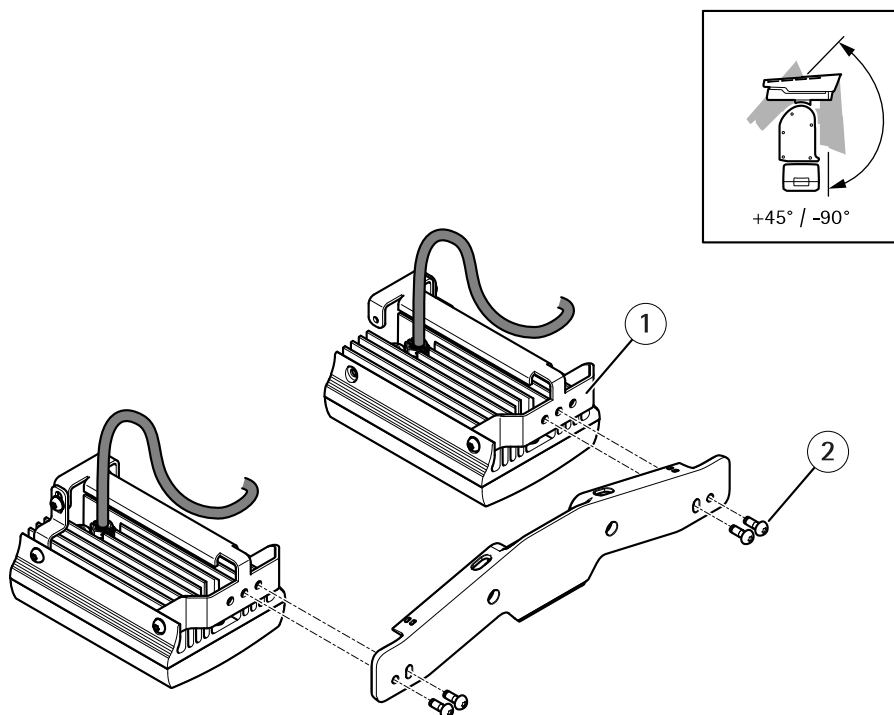


1 Cubierta

1. Extraiga los cuatro tornillos de la cubierta (T20) y retírela.

Importante

Asegúrese de que la junta de debajo de la cubierta permanece en su posición.

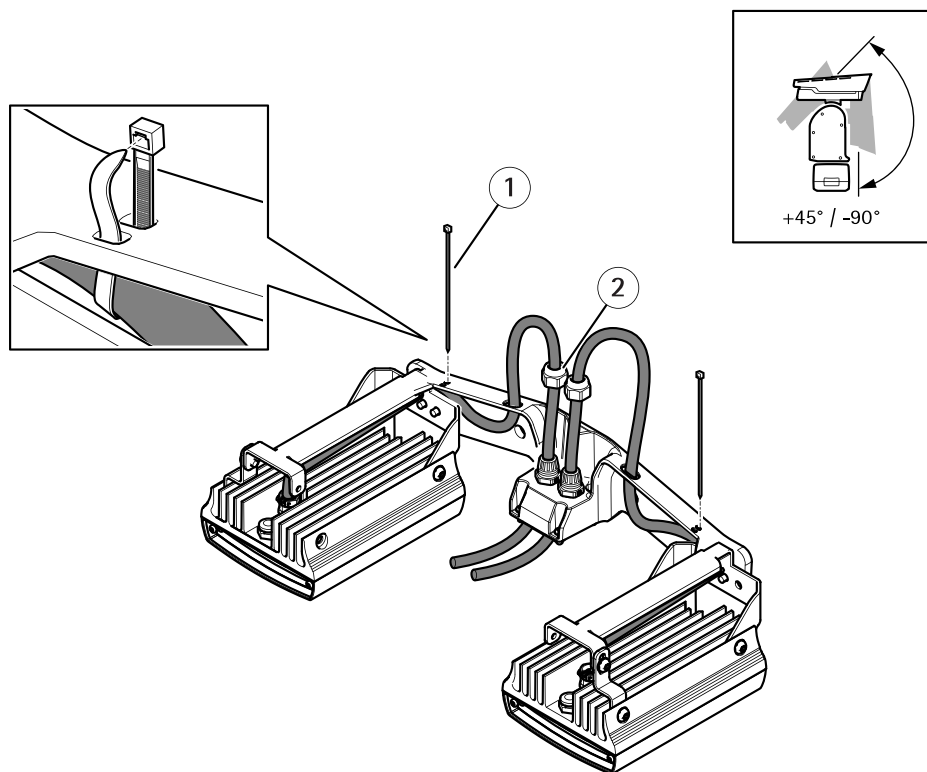


ES

- 1 Iluminador (2)
- 2 Tornillo (M6) (4)

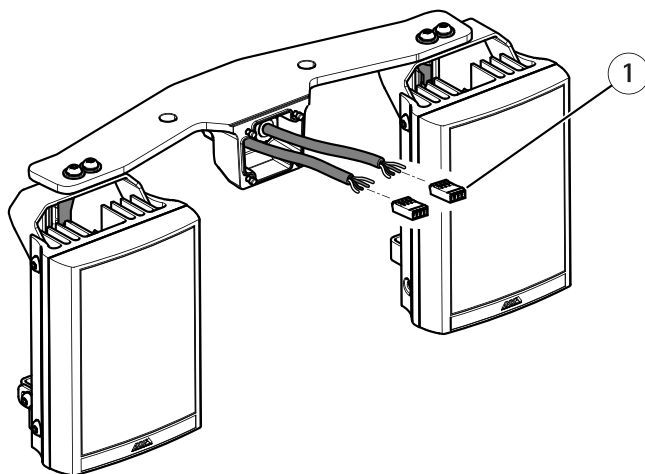
2. Acople los iluminadores al soporte de montaje mediante los cuatro tornillos.

AXIS T99A10 Positioning Unit 24 V AC/DC



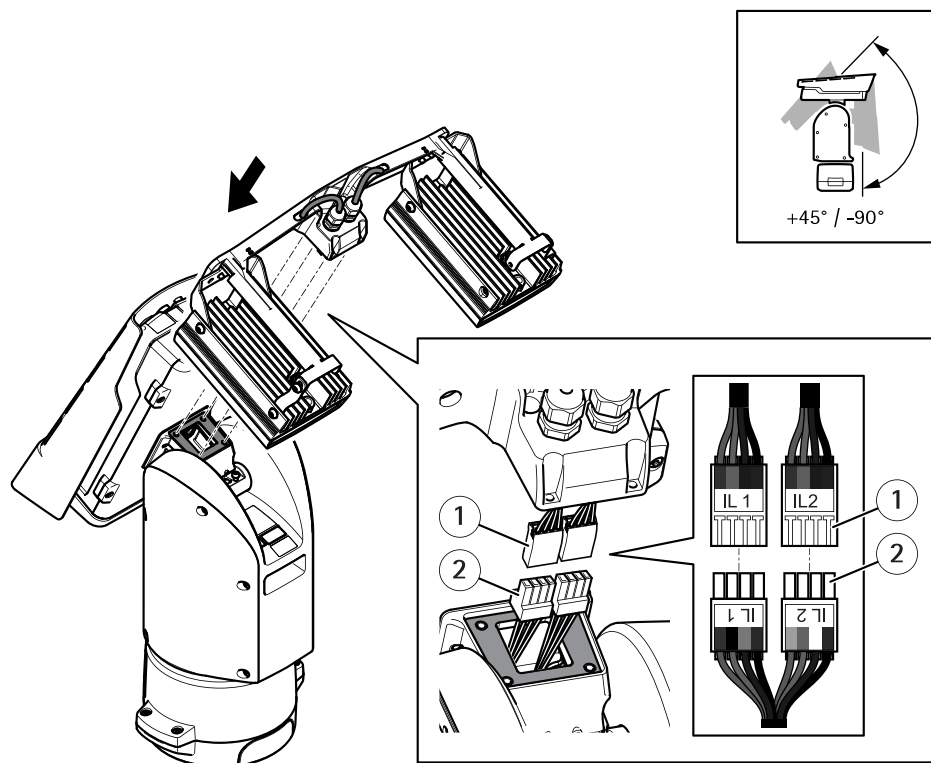
- 1 *Abrazaderas de cable (2)*
- 2 *Tuerca de presión (2)*

3. Haga pasar los cables como se muestra en la ilustración superior y apriete las tuercas de presión (par 1,5 Nm).
4. Fije los cables al soporte del iluminador con las abrazaderas para cables.



1 Conectores del iluminador (2)

5. Instale los conectores. Consulte *Conectores en la página 201*.



- 1 Conectores desde el iluminador (2)
- 2 Conector desde la unidad de posición (2)

6. Conecte los cables. Consulte *Conectores en la página 201*.
7. Fije el soporte del iluminador a la unidad de posicionamiento con los cuatro tornillos (T20, par 3,0 Nm).

Nota

Para obtener más información sobre el funcionamiento de los iluminadores, consulte el manual del iluminador LED (compruebe el modelo en la etiqueta del producto) y el manual del usuario de su producto de Axis compatible en www.axis.com.

Activar el kit de iluminador

Nota

Esto solo se aplica si se ha instalado el kit de iluminador.

Importante

Estas instrucciones solo se aplican al firmware de dispositivo inferior a v8.40.

1. Vaya a la página web del producto.
2. Vaya a **Setup > PTZ > Advanced > Device > Extended Driver Specific Settings for Video Source 1** (Configuración > PTZ > Avanzadas > Dispositivo > Configuración ampliada del controlador específico para fuente de vídeo 1).
3. Para **Illuminator > IL1 type** (Iluminador > Tipo IL1):
 - Seleccione **IR (Infrarrojos)** si ha conectado un iluminador de infrarrojos.
 - Seleccione **White (Blanco)** para un iluminador de luz blanca.
4. Repita los pasos anteriores para **Illuminator > IL2 type** (Iluminador > Tipo IL2).

Importante

Estas instrucciones solo se aplican al firmware de dispositivo v8.40 o superior.

1. Vaya a la página web del producto.
2. Vaya a **Settings > System > Accessories** (Configuración > Sistema > Accesorios).
3. Para **Illuminator > IL1 type** (Iluminador > Tipo IL1):
 - Seleccione **IR (Infrarrojos)** si ha conectado un iluminador de infrarrojos.
 - Seleccione **White (Blanco)** para un iluminador de luz blanca.
4. Repita los pasos anteriores para **Illuminator > IL2 type** (Iluminador > Tipo IL2).

ES

Instalación de una tarjeta SD (opcional)

Puede emplearse una tarjeta SD estándar o de gran capacidad (no incluida) para el almacenamiento local de grabaciones en el producto. Consulte *Especificaciones en la página 201* antes de instalar la tarjeta SD.

1. Desconecte la alimentación del producto.
2. Extraiga los cuatro tornillos de la cubierta superior y retírela.
3. Inserte una tarjeta SD en la ranura para tarjetas SD; consulte *Información general del hardware en la página 174*.
4. Vuelva a colocar la cubierta superior y apriete los tornillos (par 3.0 Nm).
5. Vuelva a conectar la alimentación del producto.

Más información

- Para consultar la versión más reciente de este documento, consulte www.axis.com
- Para comprobar si existe un firmware actualizado disponible para su producto, consulte www.axis.com/support
- Para webinars y cursos online que pueden resultarle útiles, vaya a www.axis.com/academy

Accesorios opcionales

Para conocer una lista completa de los accesorios disponibles para este producto, vaya a la página de productos en axis.com y seleccione Software y accesorios.

Información de garantía

Para obtener más detalles sobre la garantía del producto Axis y la información relacionada con ella, visite axis.com/warranty.

Especificaciones

Para acceder a la versión más reciente de la hoja de datos del producto, visite la página del producto en axis.com y localice **Support & Documentation** (Soporte técnico y documentación).

Conectores

Conector de red

Conector Ethernet RJ45.

Conector SFP.

AVISO

El producto debe conectarse mediante un cable de red blindado (STP) o un cable de fibra óptica. Todos los cables que conecten el producto a la red deberán estar blindados para su uso específico. Asegúrese de que los dispositivos de red estén instalados de conformidad con las instrucciones del fabricante. Para obtener información sobre los requisitos normativos, vea *Electromagnetic compatibility (EMC) on page 8*.

ES

Conector de E/S

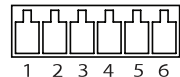
Utilice el conector de E/S con dispositivos externos en combinación con detección de movimiento, activación de eventos y notificaciones de alarma, por ejemplo. Además del punto de referencia de 0 V CC y la alimentación (salida de CC), el conector de E/S ofrece una interfaz para:

Entrada digital – Conectar dispositivos que puedan alternar entre circuitos cerrados y abiertos, por ejemplo, sensores PIR, contactos de puertas y ventanas o detectores de cristales rotos.

Salida digital – Conectar dispositivos externos como relés y LED. Los dispositivos conectados se pueden activar mediante la interfaz de programación de aplicaciones VAPIX® o desde la página web del producto.

Sensor de luz digital – Para recibir un valor de la intensidad de la luz ambiental desde un sensor de luz externo. Se utiliza para controlar la funcionalidad día/noche del producto.

Bloque de terminales configurable de 6 pines

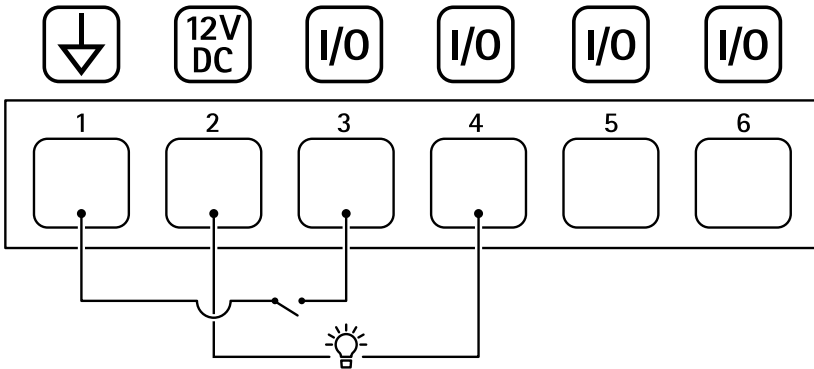


Función	Pin	Notas	Especificaciones
Tierra CC	1		0 V CC

AXIS T99A10 Positioning Unit 24 V AC/DC

Salida de CC	2	Se puede utilizar para conectar el equipo auxiliar. Nota: Este pin solo se puede utilizar como salida de alimentación.	12 V CC Carga máx. = 50 mA
Configurable (entrada o salida)	3-6	Entrada digital: conéctela al pin 1 para activarla, o bien déjala suelta (desconectada) para desactivarla.	De 0 a un máximo de 30 V CC
		Salida digital: conectada internamente a pin 1 (tierra CC) cuando está activa; y suelta (desconectada), cuando está inactiva. Si se utiliza con una carga inductiva, por ejemplo, un relé, conecte un diodo en paralelo a la carga como protección contra transitorios de tensión.	De 0 a un máximo de 30 V CC, colector abierto, 100 mA

Ejemplo



- 1 Tierra CC
- 2 Salida de CC 12 V, 50 mA máx.
- 3 E/S configurada como entrada
- 4 E/S configurada como salida
- 5 E/S configurable
- 6 E/S configurable

Conector de alimentación

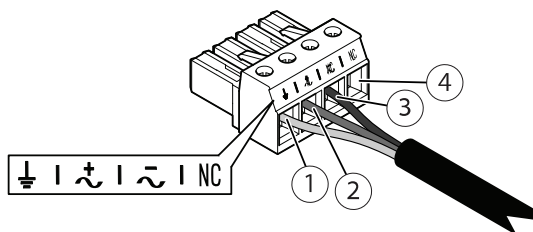
Bloque de terminales de 4 pines para la entrada de alimentación.

AXIS T99A10 Positioning Unit 24 V AC/DC

Conector de alimentación de 24 V CA/CC

AVISO

Esta sección solo es válida para los productos con alimentación de 24 V CA y 24 V CC.



Esta tabla solo es válida para los conectores de alimentación de 24 V CA y 24 V CC.

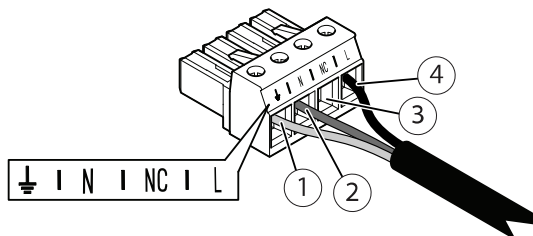
Posición	24 V CA	24 V CC
1	Conexión a tierra de protección	Conexión a tierra de protección
2	Fase de 24 V CA	+ 24 V
3	Neutro de 24 V CA	0 V
4	No conectado	No conectado

ES

Conector de alimentación de 240 V CA

AVISO

Esta sección solo es válida para los productos con alimentación de 100–240 V CA.



AXIS T99A10 Positioning Unit 24 V AC/DC

Esta tabla solo es válida para los conectores de alimentación de 240 V CA.

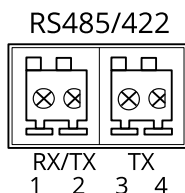
Posición	100–240 V CA
1	Conexión a tierra de protección
2	Neutro de 240 V CA
3	No conectado
4	Fase de 240 V CA

Conector RS485/RS422

Dos bloques de terminales de 2 pines para la interfaz serie RS485/RS422 usada para controlar equipos auxiliares, como dispositivos de movimiento horizontal/vertical.

El puerto serie puede configurarse para admitir:

- Semidúplex RS485 de dos cables
- Dúplex completo RS485 de cuatro cables
- Simplex RS422 de dos cables
- Dúplex completo RS422 de cuatro cables para comunicación dúplex punto a punto



Función	Pin	Notas
RS485/RS422 RX/TX A	1	(RX) para dúplex completo RS485/RS422 (RX/TX) para semidúplex RS485
RS485/RS422 RX/TX B	2	
RS485/RS422 TX A	3	(TX) para dúplex completo RS485/RS422
RS485/RS422 TX B	4	

Cables

Grosor del cable

El diámetro del cable, si se usan las juntas para cables suministradas con este producto, debe ser de entre 5 y 11 mm.

AVISO

- Utilice cables que puedan permanecer dentro del área de cableado especificada.
- Elija cables que cumplan la normativa local aplicable.
- Asegúrese de que todos los orificios para cables estén debidamente sellados.
- Utilice juntas de cable o prensaestopas que se ajusten tanto al orificio para cable como al área de cableado.

Para obtener información acerca de los accesorios, como juntas de cable y prensaestopas permitidos para otras áreas de cableado, visite www.axis.com.

ES

Cable de interfaz serie de la cámara

Color del cable	Especificaciones
Blanco	RS485A
Verde	RS485B

Cable de alimentación de la cámara

Color del cable	Especificaciones
Rojo	+ 24 V CC
Negro	0 V

Condiciones de funcionamiento

Este producto de Axis se ha creado para su uso en interiores y exteriores.

Temperatura	Humedad
Normal: de -50 °C a 60 °C Máxima (intermitente): 65 °C Conmutador de arranque en frío: de -40 °C a 60 °C	Humedad relativa 10–100 % (sin condensación)

AXIS T99A10 Positioning Unit 24 V AC/DC

El tiempo de arranque es de 2 minutos de 0 °C a 50 °C.

Consumo de energía

Consumo normal	Consumo máximo
10 W	169 W

Importante

Si se usa el AXIS Cable 24 V DC/24–240 V AC 22 m, se necesitará una fuente de alimentación con capacidad para suministrar 220 W para compensar la pérdida de alimentación en el cable.

AVISO

Los valores de consumo de energía normales se basan en lo siguiente:

- No se tienen en cuenta las pérdidas en el cable de alimentación
- No hay posicionamiento activo
- La temperatura es de 25 °C con todos los calefactores apagados
- Una transmisión H.264 a resolución máxima
- La transmisión MJPEG se graba en una tarjeta SD

安全情報

危険レベル

▲危険

回避しない場合、死亡または重傷につながる危険な状態を示します。

▲警告

回避しない場合、死亡または重傷につながるおそれのある危険な状態を示します。

▲注意

回避しない場合、軽傷または中程度の怪我につながるおそれのある危険な状態を示します。

注記

回避しない場合、器物の破損につながるおそれのある状態を示します。

その他のメッセージレベル

重要

製品を正しく機能させるために不可欠な重要情報を示します。

注意

製品を最大限に活用するために役立つ有用な情報を示します。

安全手順


▲危険

感電の危険があります。製品の設置やメンテナンスを行う前にすべてのケーブルの通電を切ってください。


▲警告

本製品の設置は、お使いになる地域の法律や規制に準拠して、訓練を受けた専門技術者が行ってください。

▲注意

 損傷の危険があります。可動部分。動作中は、体を製品に近づけないでください。製品の設置やメンテナンスを行う前には電源を切ってください。

▲注意

 損傷の危険があります。表面が熱くなります。動作中は、本製品に触れないでください。製品のメンテナンスを実行する前には電源を切り、表面が冷えるまで待ってください。

注記

- 本製品は、お使いになる地域の法律や規制に準拠して使用してください。
- 本製品は乾燥した換気のよい環境に保管してください。
- 本製品に衝撃または強い圧力を加えないでください。
- 本製品を不安定なポール、ブラケット、表面、または壁に設置しないでください。
- 本製品を設置する際には、適切な工具のみを使用してください。電動工具を使用して過剰な力をかけると、製品が損傷することがあります。
- 化学薬品、腐食剤、噴霧式クリーナーは使用しないでください。
- 清掃には、きれいな水に浸した清潔な布を使用してください。
- 製品の技術仕様に準拠したアクセサリのみを使用してください。これらのアクセサリは、Axisまたはサードパーティから入手できます。Axisは、ご使用の製品と互換性のあるAxis給電ネットワークスイッチの使用を推奨します。
- Axisが提供または推奨する交換部品のみを使用してください。
- 製品を自分で修理しないでください。修理については、Axisサポートまたは販売代理店にお問い合わせください。
- 太陽などの高輝度の光源にはカメラのレンズを向けしないでください。カメラが損傷することがあります。
- 最低0.5 mm²または20 AWGの黄/緑色のケーブルを使用してください。

輸送

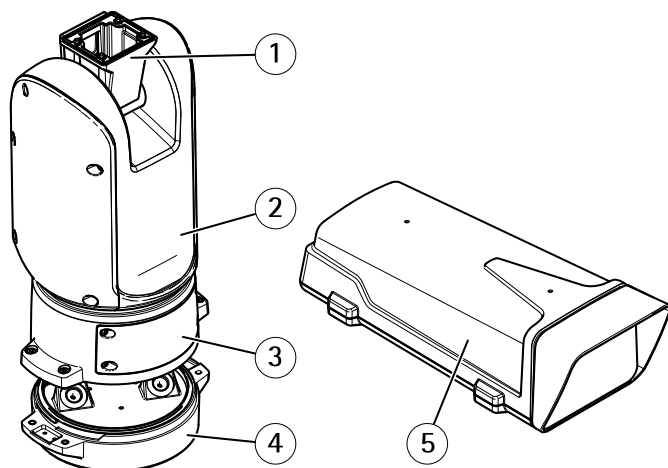
注記

- 本製品を運搬する際は、製品が損傷しないよう、元の梱包か同等の梱包を使用してください。

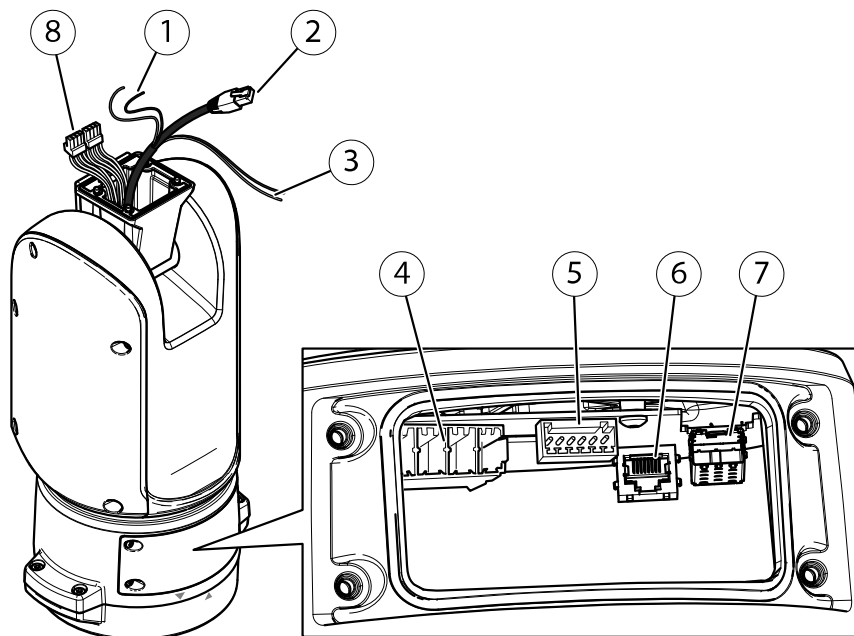
パッケージの内容

- ポジショニングユニット
- カメラハウジング
- 電源コネクタ
- I/Oコネクタ
- Torx® ビットT20およびT30
- 印刷物
 - インストールガイド (本書)
 - 予備のシリアル番号ラベル (2枚)
 - AVHS認証キー

ハードウェアの概要



- 1 ポジショニングユニット(チルト)
- 2 ポジショニングユニット(パン)
- 3 蓋
- 4 ベースユニット
- 5 カメラハウジング



JA

- 1 カメラの電源ケーブル
- 2 カメラのネットワークケーブル
- 3 カメラのシリアルインターフェースケーブル
- 4 入力電力コネクタ
- 5 I/Oコネクタ
- 6 RJ45コネクタ
- 7 SFPモジュール用SFPスロット (SFPモジュールは付属していません)
- 8 イルミネーターケーブル

製品の取り付け方法

主な設置タスク

1. ベースユニットの取り付け
2. ケーブルの配線
3. ネットワークリンクのインストール
4. カメラの設置
5. ケーブルの接続
6. PTZドライバーのインストール
7. イルミネーターキットの設置 (デフォルト設置)
8. イルミネーターキットを有効にする
9. SDカードの装着 (オプション)


⚠危険

感電の危険があります。製品を設置する前に、すべてのケーブルの通電を切ってください。


⚠注意

電気接続およびコンジットの取り付けは、必ず資格のある電気技師が地域の規制に従って行ってください。

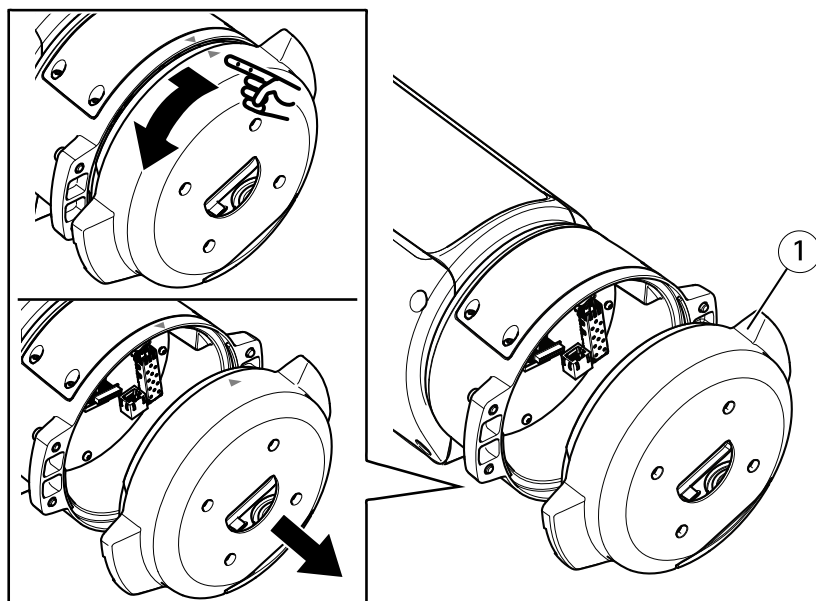
⚠注意

 損傷の危険があります。可動部分。動作中は、体を製品に近づけないでください。製品の設置やメンテナンスを行う前に、電源を切ってください。

⚠注意

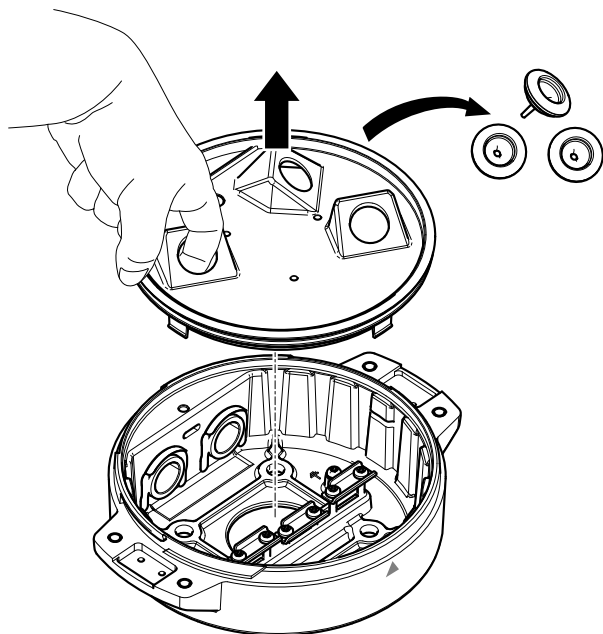
 損傷の危険があります。熱くなっている表面。動作中は、本製品に触れないでください。製品のメンテナンスを行う前に、電源を切り、表面が冷えるまで待ってください。

ベースユニットの取り付け



1 ベースユニット

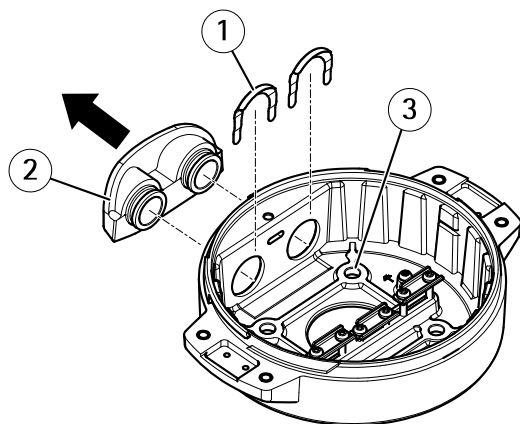
1. ベースユニットのネジ4本 (T30) を外します。
2. ベースユニットを引きながら反時計回りに回し、ベースユニット上の矢印と他のユニット上の矢印の位置を合わせます。
3. ベースユニットを取り外します。



注記

透明ベースユニットカバーの取り外しの際には、鋭利な工具を使用しないでください。

4. 透明ベースユニットカバーを取り外します。



- 1 コンジットカバークリップ
- 2 コンジットカバー
- 3 ネジ穴 (x4)

- 5. コンジットの取り付けの場合にのみ、2つのコンジットカバークリップを取り外し、コンジットカバーを取り外します。
- 6. 4つのネジ穴に適したファスナーを使用して、ベースユニットを取付面に取り付けます。

JA

ケーブルの配線

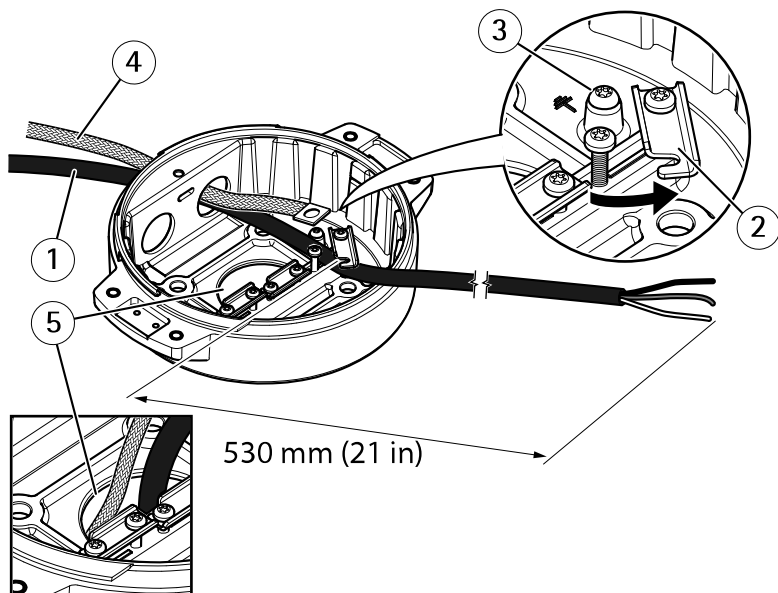
警告

感電の危険があります。本製品は、電源ケーブルおよび接地編組の両方に保護アース線を使用して接地するものとします。保護アース線と接地編組のそれぞれの両端がいずれもアース面と接触していることを確認してください。

重要

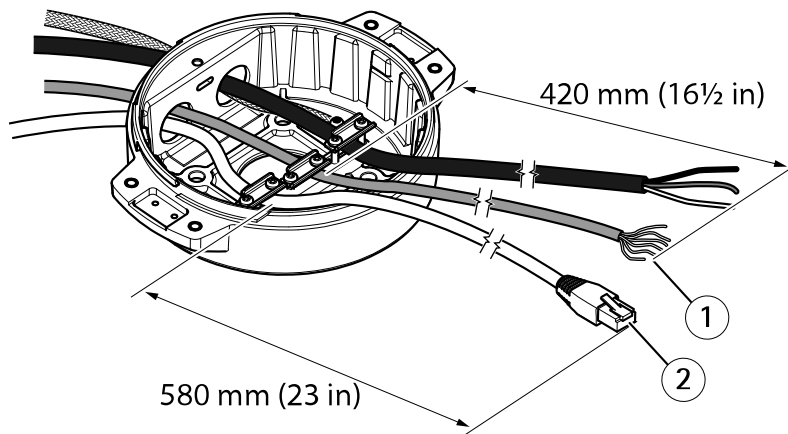
指定のケーブルエリアでの仕様に準拠したケーブルのみ使用してください。詳細については、244ページの、ケーブルの太さを参照してください。

AXIS T99A10 Positioning Unit 24 V AC/DC



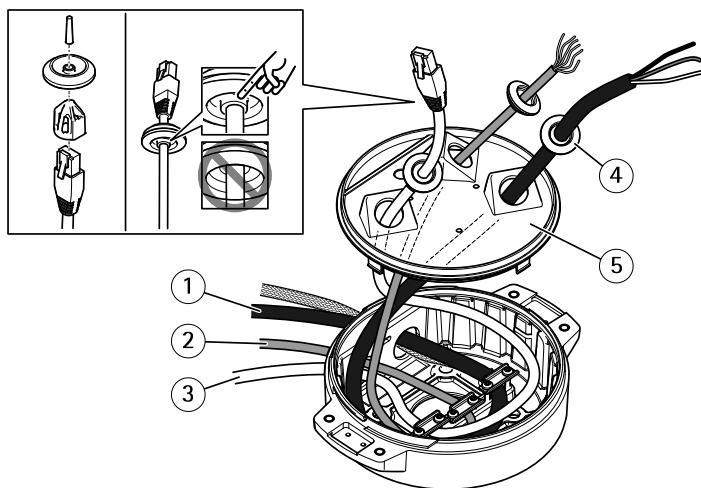
- 1 電源ケーブル (付属していません)
- 2 ストレインリリーフ
- 3 アース端子ネジ
- 4 接地編組 (付属していません)
- 5 底部ケーブル孔

1. オプションのコンジットアダプター (付属していません) を取り付けます。
2. 接地編組をアース端子ネジに接続します。
3. 上図に示すように、ベースユニットの穴から電源ケーブル、I/Oケーブル、およびネットワークケーブルを挿入します。あるいは、それらを底部ケーブル孔から挿入します。
4. ストレインリリーフからケーブルの先端までの距離が530 mmになるように、ストレインリリーフを通じて電源ケーブルを挿入します。



- 1 I/Oケーブル (オプション、付属していません)
- 2 ネットワークケーブル (付属していません)

5. ストレインリリーフからケーブルの先端までの距離が420 mmになるように、ストレインリリーフを通じてI/Oケーブル (オプション) を挿入します。
6. ストレインリリーフからコネクタの先端までの距離が580 mmになるように、ストレインリリーフを通じてネットワークケーブル (光ファイバーケーブルやRJ45ケーブル) を挿入します。さまざまなネットワーク接続オプションの詳細については、223ページの、ネットワークリンクのインストールを参照してください。
7. 3つのストレインリリーフを閉じて締めます。



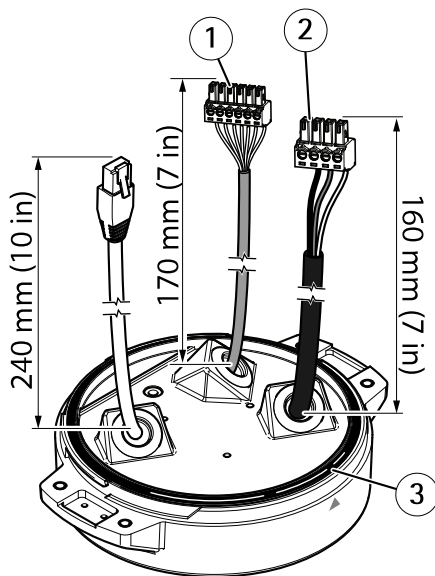
- 1 電源ケーブル (付属していません)
- 2 I/Oケーブル (オプション、付属していません)
- 3 ネットワークケーブル (付属していません)
- 4 ケーブルガスケット
- 5 透明ベースユニットカバー

8. ケーブルに合ったケーブルガスケットを取り付けます。244ページの、ケーブルの太さを参照してください。
9. 上図に示すように、ケーブルガスケットを含めて、電源ケーブル、I/Oケーブル、ネットワークケーブルを透明ベースユニットのカバー孔から挿入し、ケーブルの配置を調整します。

注記

光ファイバーとRJ45ケーブルの両方をネットワーク接続に使用している場合、光ケーブルはI/Oケーブルと同じケーブルガスケットを通します。漏電防止のために、シーラントをケーブルとケーブルガスケットの間に貼り付けます。さまざまなネットワーク接続オプションの詳細については、223ページの、ネットワークリンクのインストールを参照してください。

10. ベースユニットの透明ベースユニットカバーを交換し、穴の内側にケーブルガスケットをはめ込みます。



- 1 I/Oコネクタ
- 2 電源コネクタ
- 3 O-リング

JA

注記

保護アース線は他の2本の線(電源ケーブル)より10 mmほど長くし、引っ張られたときに不意に切断しないようにしてください。

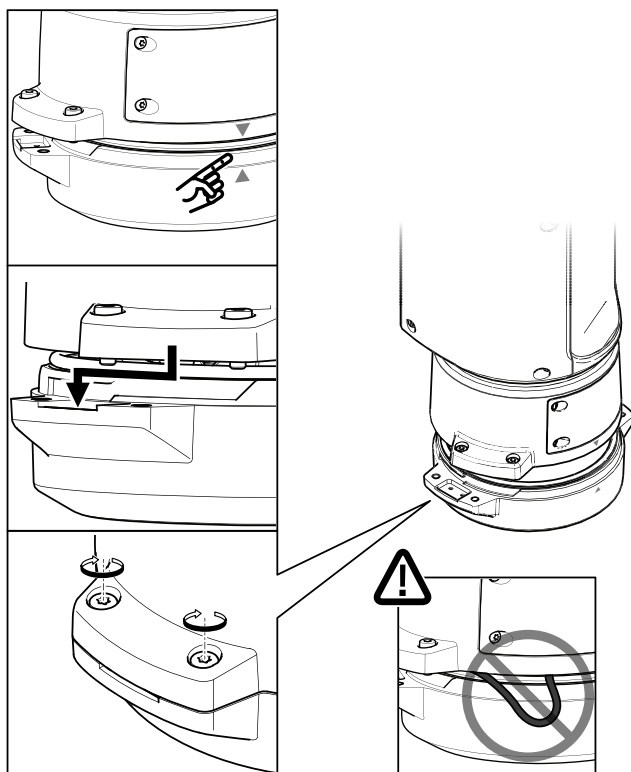
注意

簡単に取り付けるために、電源ケーブルジャケットを約90 mm、およびI/Oケーブルジャケットを70 mm剥ぐことをお勧めします。

11. 240ページの、コネクタを参照して電源およびI/Oコネクタを取り付けます。
12. ネットワークケーブル、I/Oケーブル、および電源ケーブルのケーブルガスカートからコネクタの端までの距離が、それぞれ240 mm、170 mm、160 mmになるように調整します。

注記

O-リングが透明ベースユニットカバーに正しく取り付けられていることを確認します。

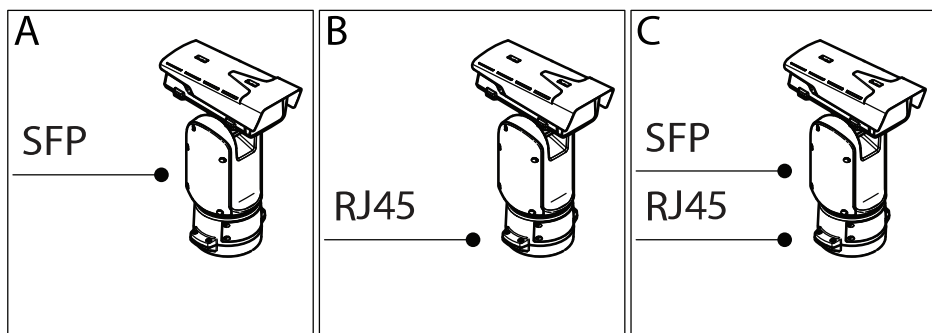


13. ポジショニングユニットをベースユニットの上に戻し、2つのユニット上の矢印の位置が合っていることを確認します。
14. ポジショニングユニットを元の位置に戻るまで時計回りに回し、ベースユニットのネジ4本を締めます (トルク3.0 Nm)。

注記

2つのユニットを取り付けるときにケーブルが締め付けられないように注意してください。

ネットワークリンクのインストール



ネットワークリンクのインストールには、次のようにさまざまなオプションがあります。

- A: SFPポートで (それぞれのコネクタを使用して) SFPモジュールに接続された光ファイバーまたはRJ45ケーブルを介して接続。
- B: 固定RJ45コネクタに接続されたRJ45ケーブルを介して接続。
- C: 上記の両方を使用して接続。この場合、SFPモジュール経由の接続をプライマリネットワークリンクとして使用し、固定RJ45コネクタ経由の接続はフェイルオーバーリンクとして使用します。

JA

ネットワークコネクタの位置の詳細については、240ページの、コネクタを参照してください。

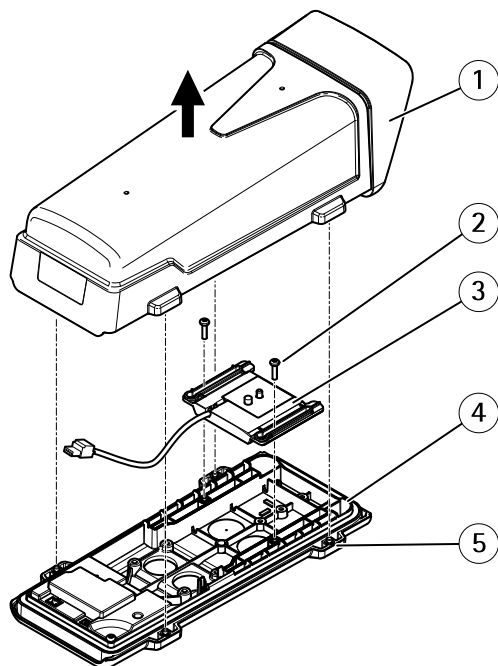
注意

- SFPモジュールは付属していません。利用可能なSFPモジュールについては、www.axis.comを参照してください。
- 当該SFPモジュールを使用する光ファイバーケーブルのみを介してネットワークリンクを確立する方法は、ケーブルを長距離に設置するスタンドアロンのソリューションとして有効です。

カメラの設置

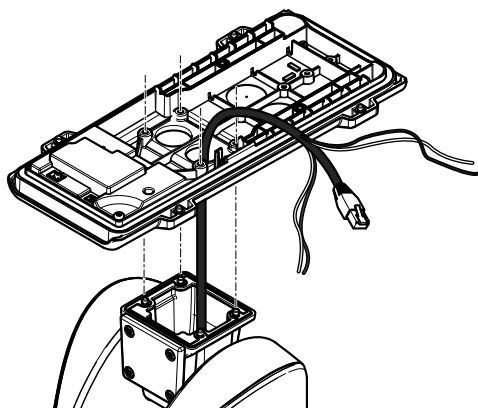
注記

本製品は、複数のネットワークカメラに対応しています。サポートされているカメラの全リストについては、www.axis.comを参照してください。

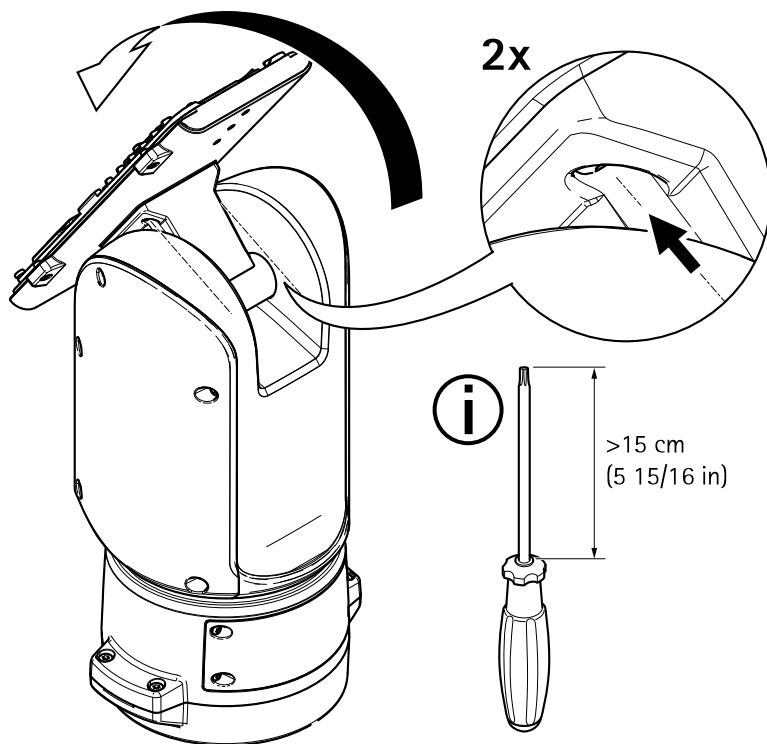


- 1 カメラハウジングの上蓋
- 2 ヒーターホルダーネジ (T20×2)
- 3 ヒーターとヒーターホルダー
- 4 カメラハウジングの裏蓋
- 5 カメラハウジングカバーのネジ (T20×4)

1. カメラハウジングカバーのネジ (T20) 4本を外し、裏蓋から上蓋を取り外します。
2. ヒーターホルダーネジ (T20) 2本を外して、裏蓋からヒーターを取り外します。



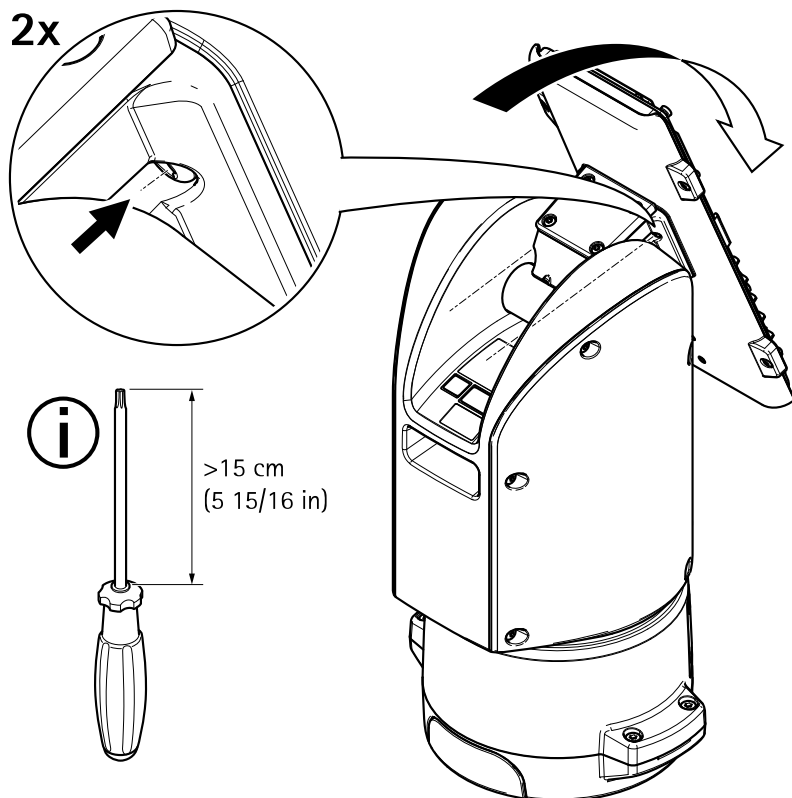
3. 裏蓋の穴にネットワーク/電源/シリアルインターフェースケーブルを通します。
4. ポジショニングユニットに裏蓋をはめ込みます。



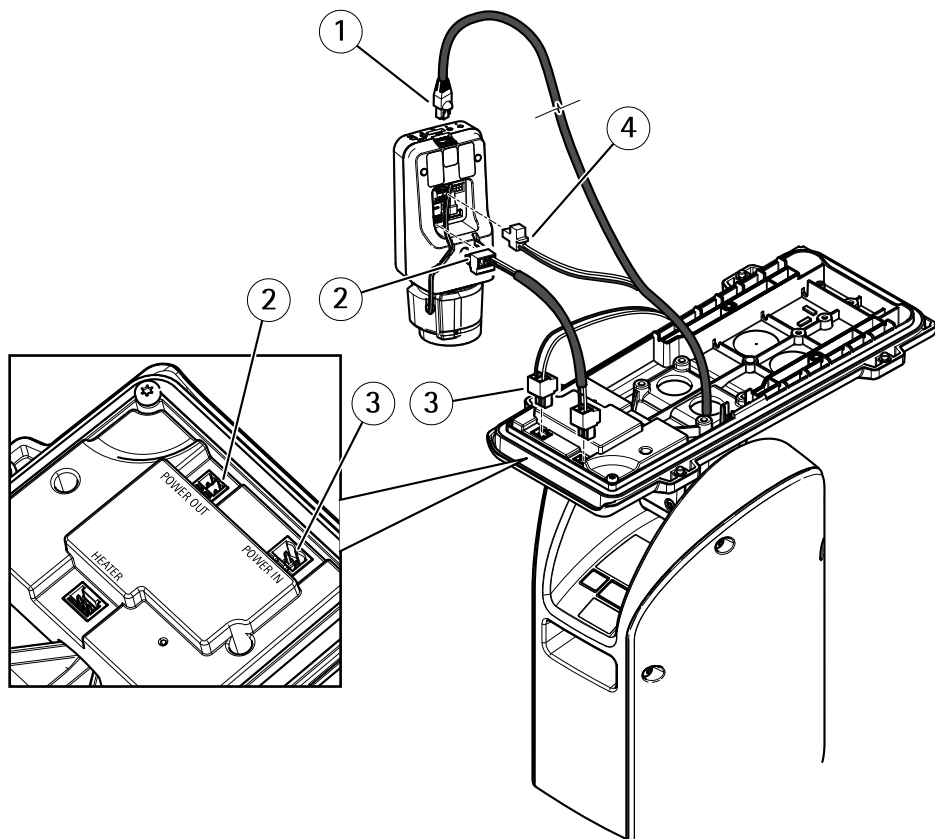
- 裏蓋を端まで後方に傾け、ポジショニングユニットの正面ネジ (T20、トルク 3.0 Nm) 2本を締めます。

注記

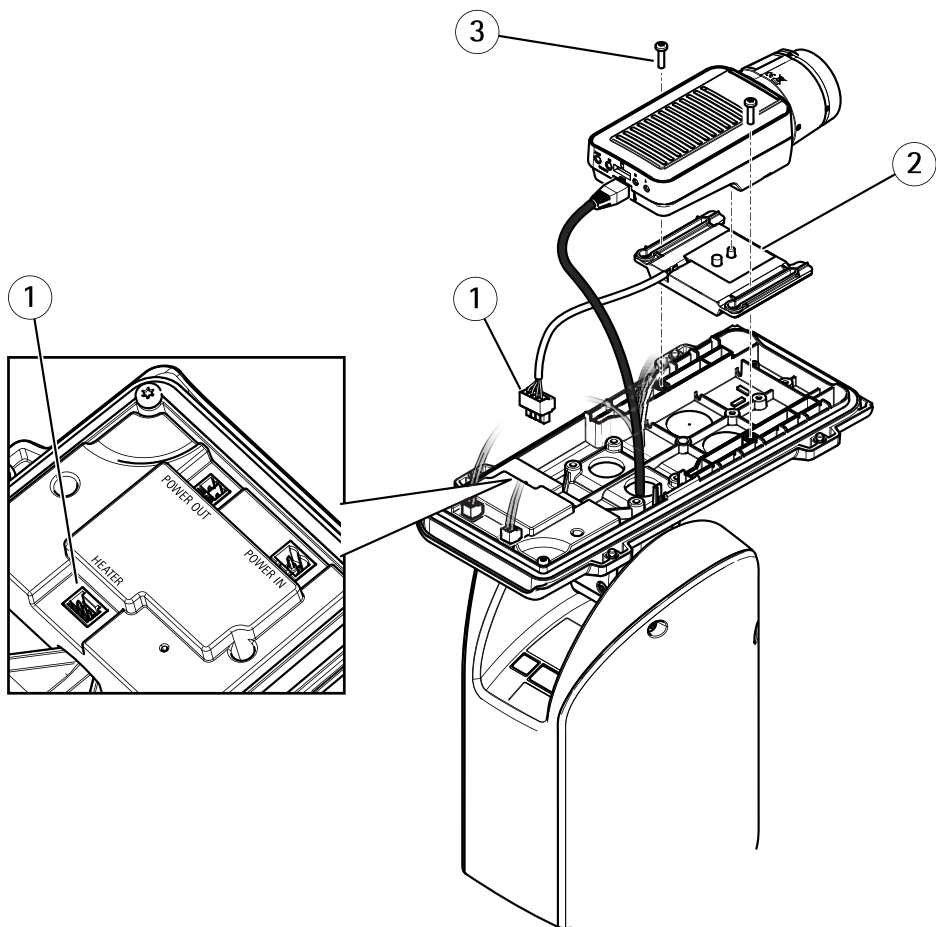
ポジショニングユニットのネジを締めるには、ブレード部が十分に長いスクレュードライバーを使用します (上図を参照)。



- 裏蓋を端まで前方に傾け、ポジショニングユニットの背面ネジ (T20、トルク3.0 Nm) 2本を締めます。



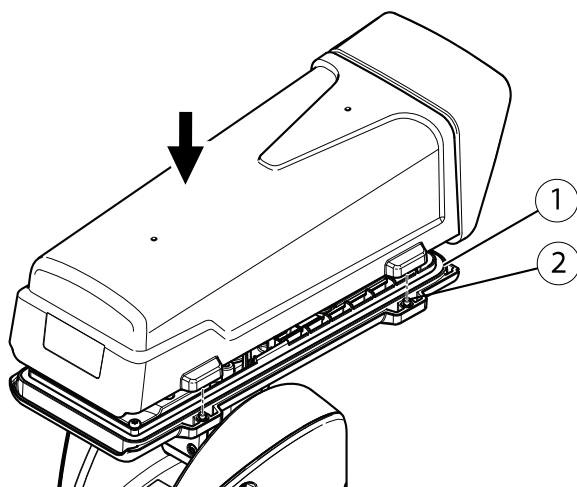
- 1 カメラのネットワークケーブル
 - 2 裏蓋からカメラまでのカメラ電源ケーブル(ケーブルは別売、コネクタは付属)
 - 3 ポジショニングユニットから裏蓋までのカメラ電源ケーブル(ケーブルおよびコネクタは付属)
 - 4 カメラのシリアルインターフェースケーブル(コネクタ別売)
7. カメラネットワーク、シリアルインターフェース、および電源ケーブルを接続します。ケーブルの仕様の詳細については、244ページの、カメラの電源ケーブルおよび244ページの、カメラのシリアルインターフェースケーブルを参照してください。



JA

- 1 ヒーターコネクタとケーブル
- 2 ヒーターとヒーターホルダー
- 3 ヒーターホルダーネジ (T20×2)

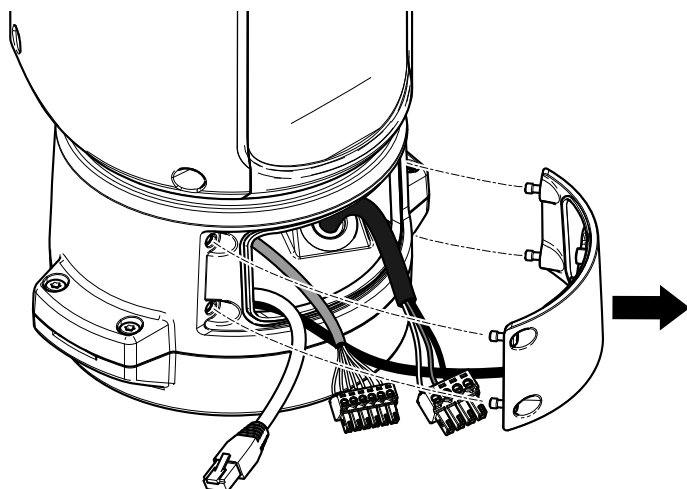
8. ヒーターホルダーをカメラに取り付けます。
9. カメラとヒーターホルダーをカメラハウジングの底面に取り付け、ヒーターホルダーネジ (T20、トルク0.5 Nm) 2本を締めます。
10. ヒーターケーブルを接続します。



- 1 裏蓋ガスケット
- 2 カメラハウジングカバーのネジ (T20×4)

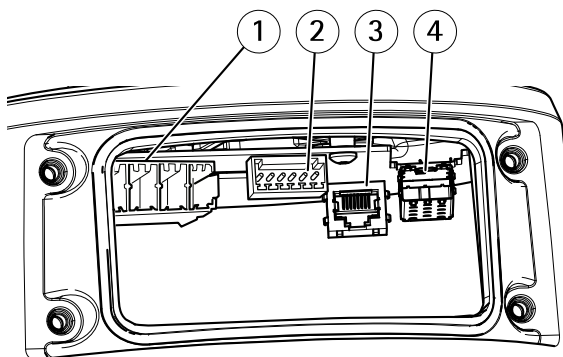
11. 上蓋を裏蓋に取り付け、4本の蓋用ネジ (T20、トルク1.5 Nm) を交互に数回ずつ回してすべてのネジが締まるまで繰り返します。これにより、裏蓋のガスケットに均等に力が掛かります。

ケーブルの接続



JA

1. 4つの蓋止めネジ (T20) をゆるめ、蓋を取り外します。



- 1 入力電力コネクタ
- 2 I/Oコネクタ
- 3 RJ45コネクタ
- 4 SFPモジュール用SFPスロット (SFPモジュールは付属していません)

2. ネットワーク (光ファイバーまたはRJ45) に接続し、I/Oおよび電源ケーブルを接続します。さまざまなネットワーク接続オプションの詳細については、223ページの、[ネットワークリンクのインストール](#)を参照してください。
3. 蓋を元に戻し、4つの蓋止めネジを締めます (トルク3.0 Nm)。
4. 製品の電源を入れます。

PTZドライバーのインストール

本製品は、複数のデバイスに対応しています。サポートされているデバイスの全リストについては、[axis.com](#)を参照してください

重要

一部のカメラは、カメラハウジングに上下逆向きに設置する必要があり、一部のカメラは自動回転機能を使用できる場合があります。PTZドライバーをインストールする前に、ご使用のカメラのライブビューの画像設定を編集して、画像を回転し、自動回転をオフにしてください。

1. カメラのWebページに移動します。
2. インストールウィザードで、[Select a PTZ mode (PTZモードの選択)] に移動し、ドロップダウンリストから [PTZ driver (PTZドライバー)] を選択します。
3. ライブビューにアクセスしたら、[Settings > System > Accessories (設定 > システム > アクセサリー)] に移動します。
4. 次のいずれかのアクションを選択します。
 - 4.1 PTZドライバーがアップロードされていない場合は、[Upload driver (ドライバーのアップロード)] を選択します。
 - 4.2 PTZドライバーがアップロードされている場合は、[Select driver to use (使用するドライバーの選択)] に移動し、ドロップダウンリストからPTZドライバーを選択します。
5. ビデオチャンネルを選択します。
6. [Device id (デバイスID)] を入力し、ドロップダウンリストから [Device type (デバイスタイプ)] を選択します。使用するデバイスのタイプを決定するには、PTZドライバーに付属するマニュアルを参照してください。
7. [PTZ] タブに移動し、PTZの設定が利用可能であることを確認します。

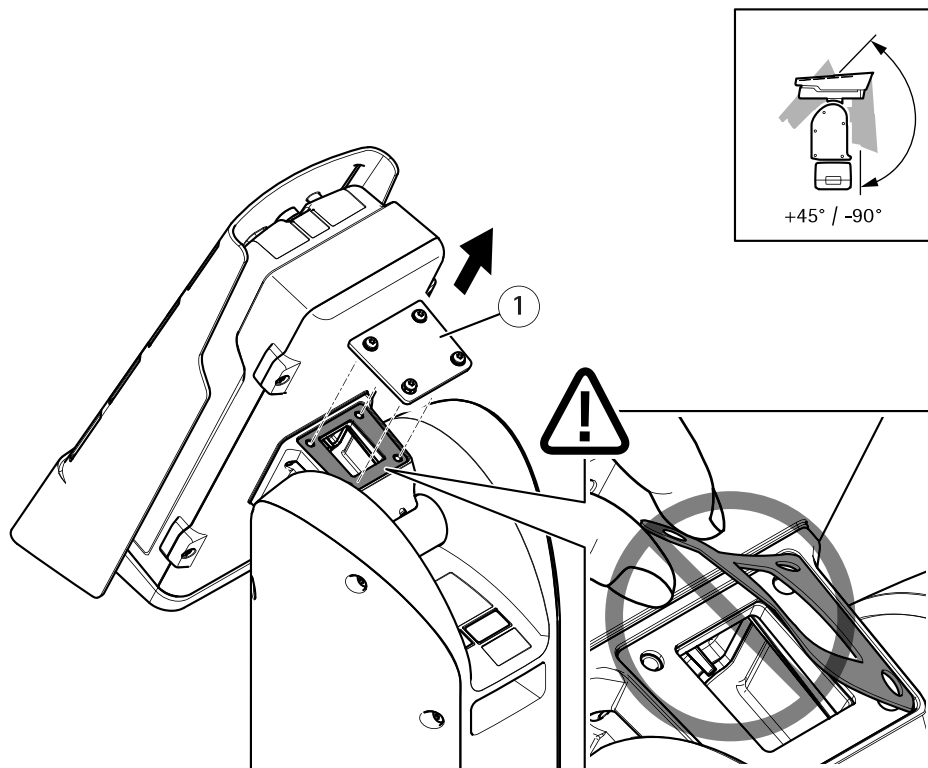
イルミネーターキットの設置 (デフォルト設置)

警告

- 感電の危険があります。電源が切断されていることを確認します。
- イルミネーターは眼に有害な可能性がある赤外光 (リスクグループ2) を放射します。与えられている指示に従ってください。眼損傷のリスクを減らすために、目の露出を避け、1.5 m以内の距離で作業する場合は、適切な遮蔽または目の保護具を使用してください。

▲注意

正常動作時は、イルミネーター表面が高温になることがあります。直接接触を許可しないでください。また、権限のない担当者の手が届かない所に装置を配置してください。接触前にイルミネーターのスイッチをオフにし、最低10分間冷却してください。



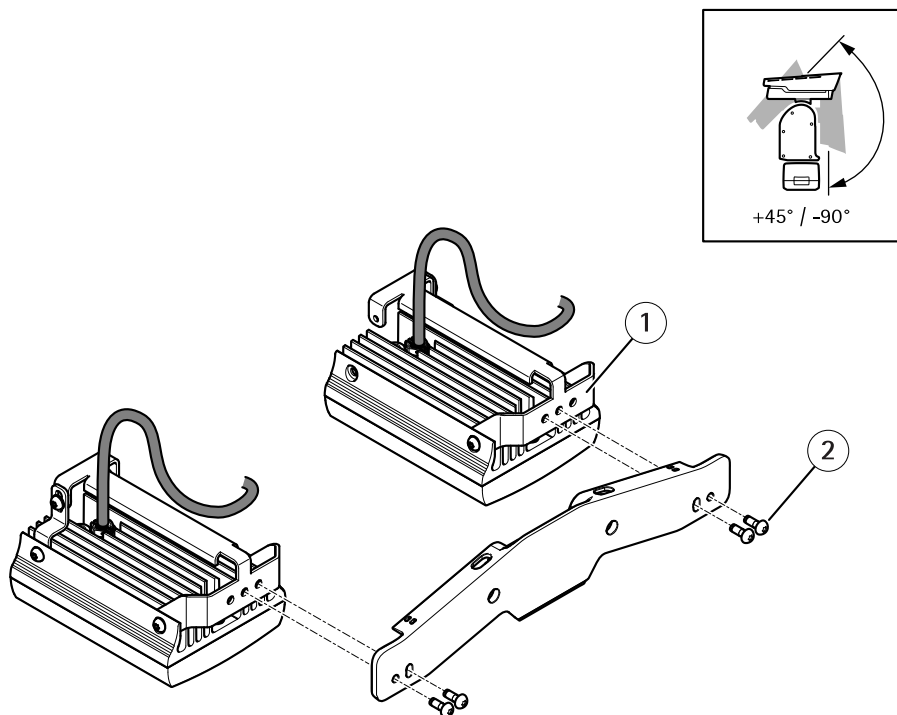
JA

1 カバー

1. カバー用ネジ (T20) 4本を外し、カバーを取り外します。

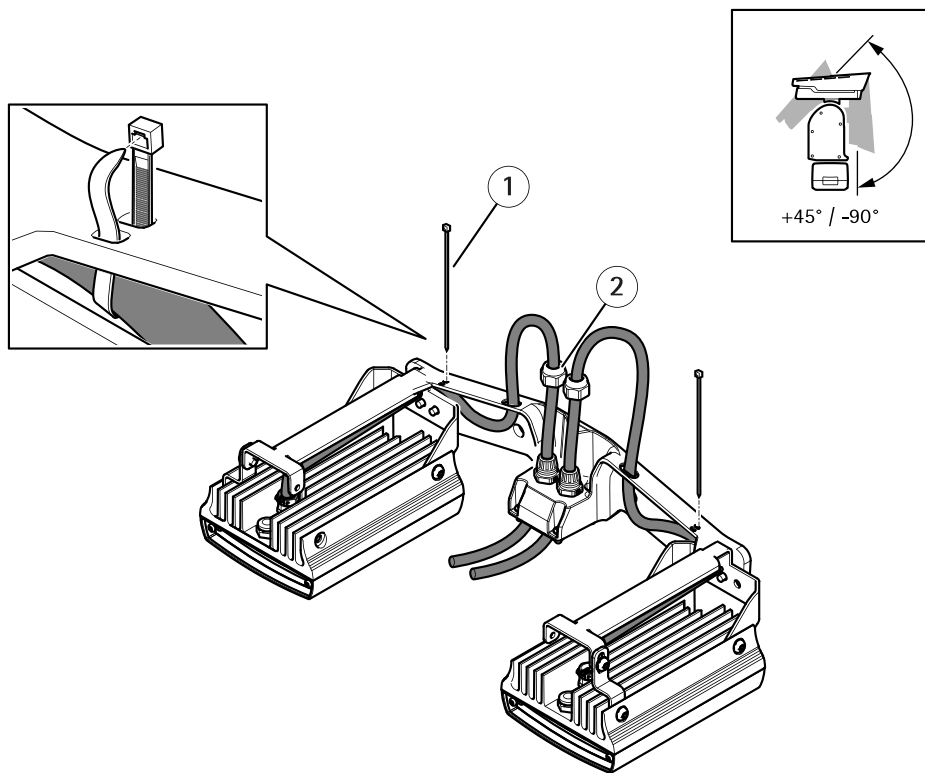
重要

カバー底部のガスケットが固定されたままであることを確認します。



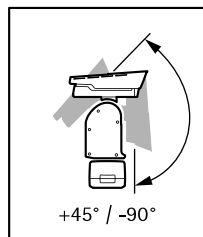
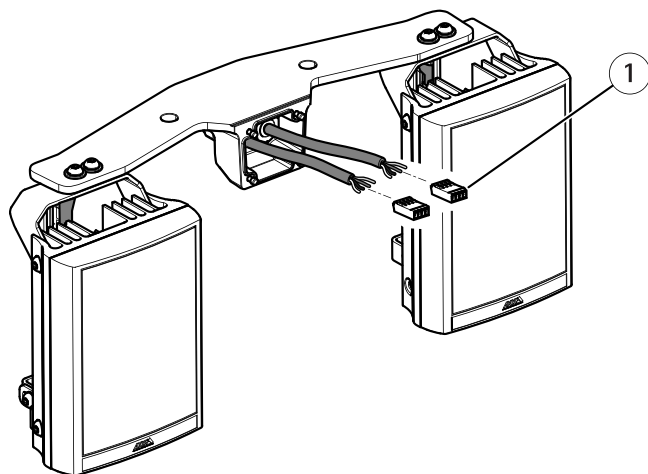
- 1 イルミネーター (×2)
- 2 ネジ (M6、×4)

2. ネジ4本を使用して、イルミネーターをイルミネーターブラケットに装着します。



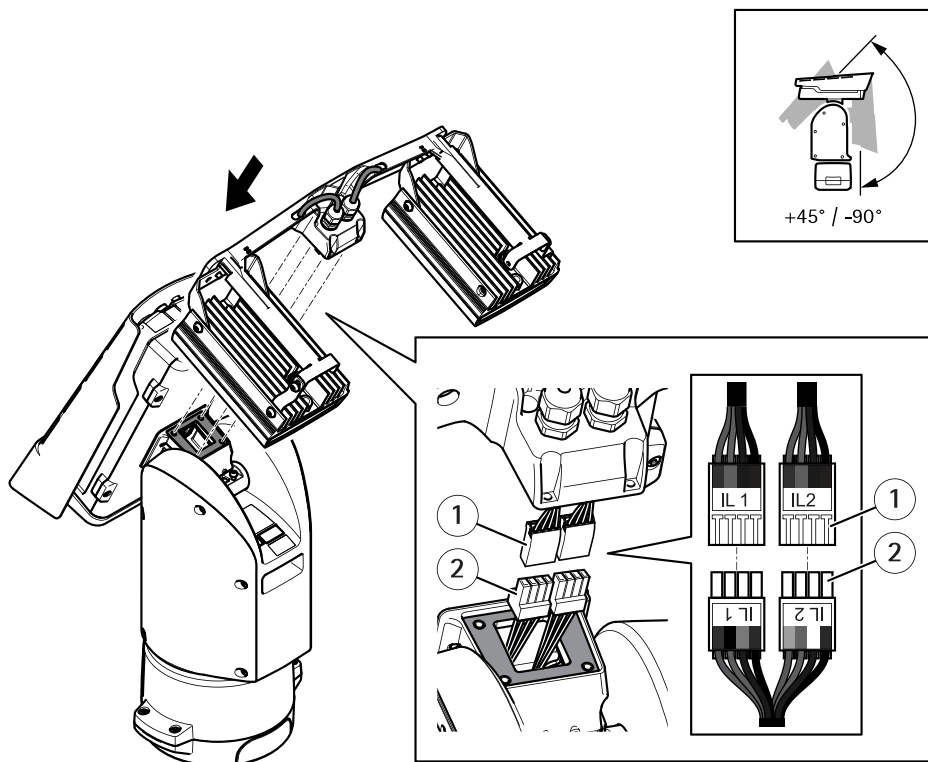
- 1 ケーブルタイ(×2)
- 2 キャップナット(×2)

3. 上図のようにケーブルを通し、キャップナットを締めます(トルク1.5 Nm)。
4. ケーブルタイを使用して、ケーブルをイルミネーターブラケットに固定します。



1 イルミネーターコネクタ (×2)

5. コネクタを取り付けます。240ページの、コネクタを参照してください。



JA

- 1 イルミネーターからのコネクター (×2)
- 2 ポジショニングユニットからのコネクター (×2)

6. ケーブルを接続します。240ページの、コネクターを参照してください。
7. ネジ (T20、トルク3.0 Nm) 4本を使用して、イルミネーターブラケットをポジショニングユニットに装着します。

注意

イルミネーターの操作の詳細については、イルミネーターLEDマニュアル (製品ラベルに記載されているモデルを確認) および www.axis.com で互換性のある Axis 製品のユーザーズマニュアルを参照してください。

イルミネーターキットを有効にする

注意

これは、イルミネーターキットを設置している場合にのみ適用できます。

重要

以下の手順は、**v8.40より前**のデバイスファームウェアにのみ適用されます。

1. 製品のWebページに移動します。
2. [Setup > PTZ > Advanced > Device > Extended Driver Specific Settings for Video Source 1 (設定 > PTZ > 詳細設定 > デバイス > ビデオソース1用のドライバー固有の拡張設定)]の順に移動します。
3. [Illuminator > IL1 type (イルミネーター > IL1タイプ)]で、
 - 赤外線イルミネーターを接続した場合は、[IR (赤外線)]を選択します。
 - 白色光イルミネーターの場合は、[White (白色光)]を選択します。
4. [Illuminator > IL2 type (イルミネーター > IL2タイプ)]で、上記の手順を繰り返します。

重要

以下の手順は、**v8.40以降**のデバイスファームウェアにのみ適用されます。

1. 製品のWebページに移動します。
2. [Settings > System > Accessories (設定 > システム > アクセサリー)]の順に移動します。
3. [Illuminator > IL1 type (イルミネーター > IL1タイプ)]で、
 - 赤外線イルミネーターを接続した場合は、[IR (赤外線)]を選択します。
 - 白色光イルミネーターの場合は、[White (白色光)]を選択します。
4. [Illuminator > IL2 type (イルミネーター > IL2タイプ)]で、上記の手順を繰り返します。

SDカードの装着 (オプション)

標準または大容量のSDカード (非付属品) を使用すると、ローカルに録画を行えます。SDカードを装着する前に、*240ページ*の、*仕様*を参照してください。

1. 本製品の電源を切ります。
2. 上蓋用ネジ4本を外し、上蓋を取り外します。
3. SDカードをSDカードスロットに挿入します。*212ページ*の、*ハードウェアの概要*を参照してください。
4. 上蓋を取り付けて、ネジを締めます (トルク 3.0 Nm)。
5. 本製品に電源を再投入します。

関連情報

- 本書の最新バージョンについては、www.axis.comにアクセスしてください。
- ご使用の製品の新しいファームウェアがリリースされていないかを確認するには、www.axis.com/supportにアクセスしてください。
- 役に立つオンライントレーニングおよびWebセミナーをご用意しております。www.axis.com/academyをご覧ください。

オプションアクセサリー

本製品で利用可能なすべてのアクセサリーについては、axis.comで本製品のページを開いて「ソフトウェア&アクセサリー」を参照してください。

保証情報

アクシスの製品保証と関連情報については、axis.com/warrantyをご覧ください。

仕様

最新バージョンの製品のデータシートについては、axis.comで本製品のページを開いて「Support & Documentation (サポートとドキュメント)」へお進みください。

コネクター

ネットワークコネクタ

RJ45イーサネットコネクタ。

SFPコネクタ。

注記

本製品は、シールドネットワークケーブル (STP) または光ファイバーケーブルを使用して接続してください。本製品は、用途に合ったケーブルを使用してネットワークに接続してください。ネットワーク装置がメーカーの指示どおりに設置されていることを確認します。法的要件については、*Electromagnetic compatibility (EMC) on page 8*を参照してください。

I/Oコネクタ

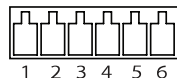
I/Oコネクタに外部装置を接続し、動体検知、イベントトリガー、アラーム通知などと組み合わせて使用することができます。I/Oコネクタは、0V DC基準点と電力 (DC出力) に加えて、以下のインターフェースを提供します。

デジタル入力 - 開回路と閉回路の切り替えが可能なデバイス (PIRセンサー、ドア/窓の接触、ガラス破損検知器など) を接続するための入力です。

デジタル出力 - リレーやLEDなどの外部デバイスを接続します。接続されたデバイスは、VAPIX®アプリケーションプログラミングインターフェースまたは製品のWebページから有効にすることができます。

デジタル光センサー - 外部の光センサーから周囲の光の強度の値を受信します。これは製品のデイナイト機能の制御に使用されます。

設定可能な6ピンターミナルブロック

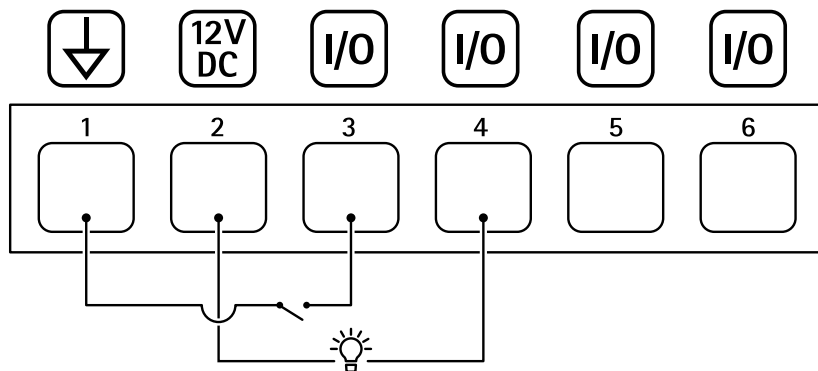


AXIS T99A10 Positioning Unit 24 V AC/DC

機能	ピン	備考	仕様
DCグラウンド	1		0 V DC
DC出力	2	補助装置の電源供給に使用できます。 注: このピンは、電源出力としてのみ使用できます。	12 V DC 最大負荷 = 50 mA
設定可能 (入力または出力)	3-6	デジタル入力 - 動作させるにはピン1に接続し、動作させない場合はフロート状態 (未接続) のままにします。	0~30 V DC (最大)
		デジタル出力 - アクティブ時はピン1 (DCグラウンド) に内部接続し、非アクティブ時はフロート状態 (未接続) にします。リレーなど、誘導負荷とともに使用する場合は、過渡電圧から保護するために、ダイオードを負荷と並列に接続します。	0~30 V DC (最大)、オープンドレイン、100 mA

JA

例



- 1 DCグラウンド
- 2 DC出力12 V、最大50 mA
- 3 I/O (入力として設定)
- 4 I/O (出力として設定)
- 5 設定可能I/O
- 6 設定可能I/O

AXIS T99A10 Positioning Unit 24 V AC/DC

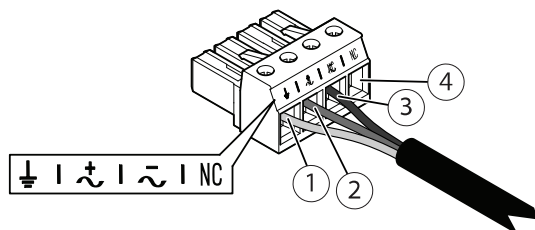
電源コネクタ

電源入力用4ピンターミナルブロック。

24V AC/DC 電源コネクタ

注記

このセクションは、24V AC/DC電源を使用する製品にのみ有効です。



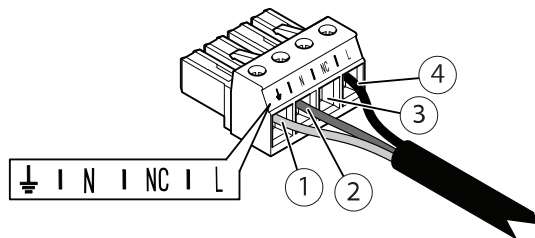
この表は、24V ACおよび24V DC電源コネクタにのみ有効です。

位置	24 V AC	24 V DC
1	保護アース	保護アース
2	24 V ACフェーズ	+ 24 V
3	24 V ACニュートラル	0 V
4	未接続	未接続

240 V AC電源コネクタ

注記

このセクションは、100~240V AC電源を使用する製品にのみ有効です。



この表は、240V AC電源コネクタにのみ有効です。

位置	100～240 V AC
1	保護アース
2	240 V ACニュートラル
3	未接続
4	240 V ACフェーズ

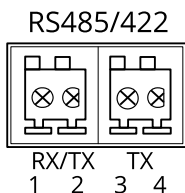
RS485/RS422 コネクター

パン/チルトデバイスなど補助装置の制御に使用する、RS485/RS422シリアルインターフェース用の2ピンターミナルブロック×2。

シリアルポートの設定により、次のモードをサポート可能。

- 2ワイヤーRS485半二重
- 4ワイヤーRS485全二重
- 2ワイヤーRS422単方向
- 4ワイヤーRS422全二重ポイントツーポイント通信

JA



機能	ピン	備考
RS485/RS422 RX/TX A1	A1	(RX) 全二重RS485/RS422用 (RX/TX) 半二重RS485用
RS485/RS422 RX/TX B2	B2	
RS485/RS422 TX A	3	(TX) 全二重RS485/RS422用
RS485/RS422 TX B	4	

ケーブル

ケーブルの太さ

本製品に付属のケーブルガasketを使用する際、ケーブルは直径が5～11 mmのものを使用する必要があります。

注記

- 指定のケーブルエリアに収まるケーブルを使用してください
- 地域の規制に適合したケーブルを選択してください
- すべてのケーブル孔が適切に密封されていることを確認してください
- ケーブル孔とケーブルエリアの両方に適合するケーブルガasketまたはケーブルグランドを使用してください

他のケーブルエリアに対応するケーブルガasket、ケーブルグランドなどのアクセサリについては、www.axis.comを参照してください。

カメラのシリアルインターフェースケーブル

ケーブルの色	仕様
白	RS485A
緑	RS485B

カメラの電源ケーブル

ケーブルの色	仕様
赤	+ 24 V DC
黒	0 V

動作条件

本製品は屋内および屋外対応モデルです。

温度	湿度
通常: -50 ° C～60 ° C 最高 (断続的): 65 ° C コールドスタート: -40 ° C～60 ° C	10～100% RH (結露不可)

起動時間は0 ° C ~ 50 ° C で2分間です。

消費電力

通常消費電力	最大消費電力
10 W	169 W

重要

22 mのAXISケーブル(24 V DC/24~240 V AC)を使用する場合、ケーブル内の電力損失を補償するために、220 Wの供給が可能な電源が必要です。

注記

通常消費電力値は、以下の条件で算出されます。

- 電源ケーブル内の電力損失は考慮しない
- ポジショニングが有効になっていない
- 温度は25 ° C (すべてのヒーターを切った状態)
- 最大解像度でのH.264ストリーミング1回
- MJPEGストリームはSDカードに録画

安全信息

危险等级

▲危险

表示如果不避免则会导致死亡或严重伤害的危险情况。

▲警告

表示如果不避免则可能导致死亡或严重伤害的危险情况。

▲小心

表示如果不避免则可能导致轻微或中度伤害的危险情况。

注意

表示如果不避免则可能导致财产损失的情况。

其他消息等级

重要

表示产品正常工作所必需的重要信息。

备注

表示有助于充分利用产品的有用信息。

安全说明


⚠危险

电击风险。在对产品进行安装或维护之前，应断开电缆的电源。


⚠警告

安讯士产品应由受过培训的专业人员进行安装，并遵守当地法律和法规。

⚠小心

 伤害风险。活动部件。操作期间，请保持身体部位远离产品。安装或维护产品时，请断开电源。

⚠小心

 受伤风险。灼热的表面。请勿在操作期间触摸该产品。执行产品维护时，请断开电源并让表面冷却。

注意

- 使用安讯士产品时应遵守当地法律和法规。
- 在干燥通风的环境中存放安讯士产品。
- 避免将安讯士产品暴露在冲击或高压环境下。
- 请勿将产品安装在不稳固的立杆、支架、表面或墙壁上。
- 安装安讯士产品时，仅使用适用的工具。使用电动工具过度施力可能导致产品损坏。
- 请勿使用化学品、腐蚀剂或气雾剂。
- 使用蘸纯净水的干净布进行清洁。
- 仅使用符合产品技术规格的附件。这些附件可由安讯士或第三方提供。安讯士推荐使用与产品兼容的安讯士电源设备。
- 仅使用安讯士提供或推荐的备件。
- 请勿尝试自行维修产品。有关服务事项，请联系安讯士支持部门或安讯士经销商。
- 请勿将摄像机镜头对准太阳或其他高强度辐射源，因为这可能会损坏摄像机。
- 使用一根至少为 0.5 平方毫米或 20 AWG 的黄色/绿色接地电缆。

运输

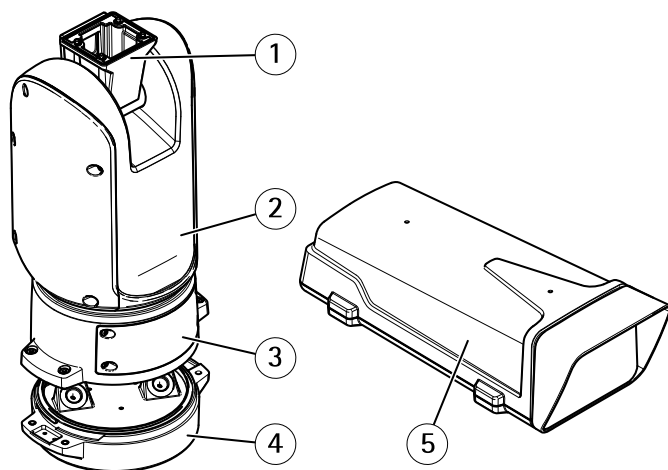
注意

- 安讯士产品运输途中，应使用其原包装或等效包装，以防对产品造成损坏。

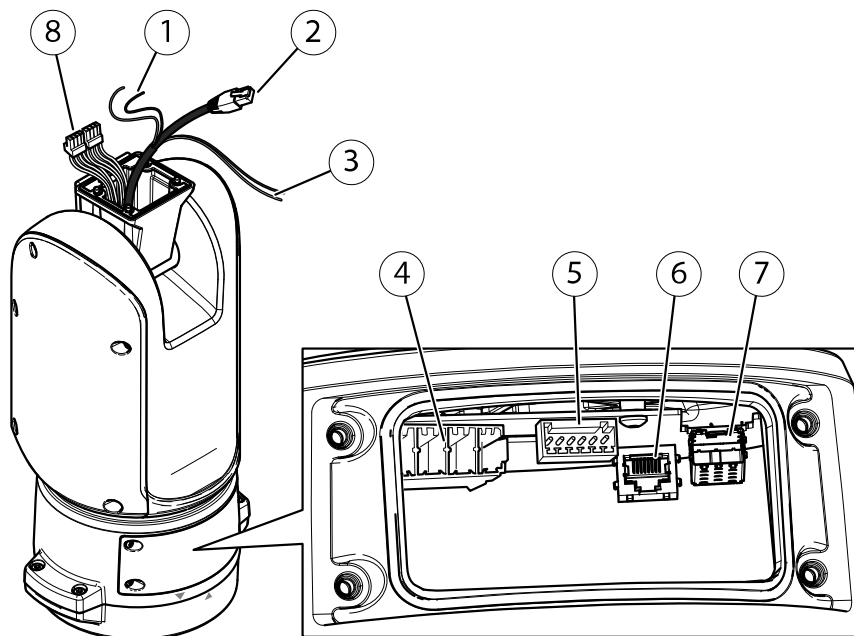
包装内容

- 定位单元
- 摄像机护罩
- 电源连接器
- I/O 连接器
- Torx® 位 T20 和 T30
- 印刷资料
 - 安装指南（本文档）
 - 额外的序列号标签（2 个）
 - AVHS 身份验证密钥

硬件概览



- 1 定位单元 (垂直转动)
- 2 定位单元 (水平转动)
- 3 盖
- 4 底座单元
- 5 摄像机护罩



- 1 摄像机电源线
- 2 摄像机网络电缆
- 3 摄像机串口线
- 4 输入电源连接器
- 5 I/O 连接器
- 6 RJ45 连接器
- 7 SFP 模块的 SFP 插槽 (不包括 SFP 模块)
- 8 照明器电缆

如何安装产品

主要安装任务

1. 安装底座单元
2. 布线
3. 安装网络链路
4. 安装摄像机
5. 连接电缆
6. 安装 PTZ 驱动程序
7. 安装照明器套件 (默认安装)
8. 开启照明器套件
9. 安装 SD 卡 (可选)


危险

电击风险。安装产品之前，电缆都应断电。


小心

电气连接和导线管安装应由经过认证的电工执行，并遵守当地法规。

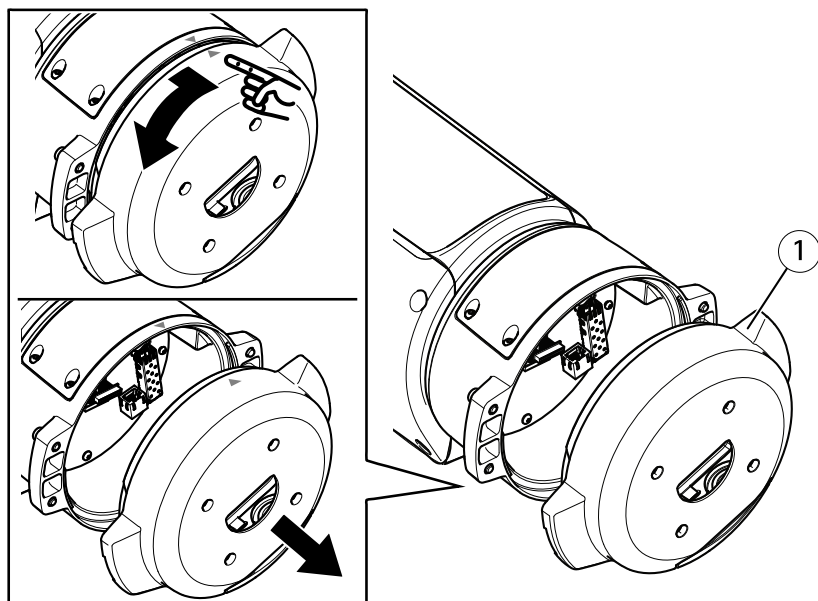
小心

 伤害风险。活动部件。操作期间，请保持身体部位远离产品。安装或维护产品时，请断开电源。

小心

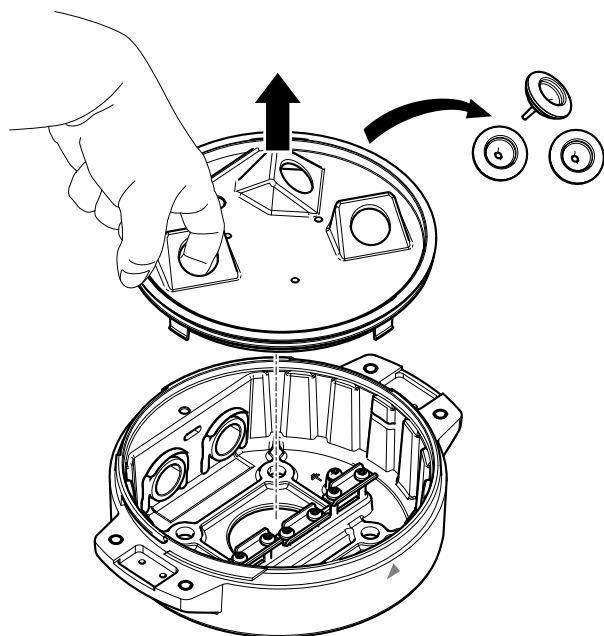
 伤害风险。灼热的表面。请勿在操作期间触摸该产品。执行产品维护时，请断开电源并让表面冷却。

安装底座单元



1 底座单元

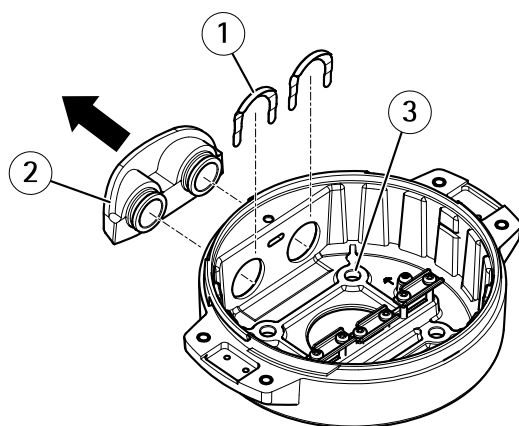
1. 移除四颗底座单元螺丝 (T30)。
2. 同时逆时针拉转底座单元，直到底座单元和该单元其余部分的箭头对齐。
3. 移除底座单元。



注意

移除透明底座单元盖板时，请勿使用尖锐工具。

4. 移除透明底座单元盖板。



- 1 导线管盖夹

- 2 导线管盖
- 3 螺丝孔 (4 个)

- 5. 仅适用于导线管安装：取下两个导线管盖夹，然后取下导线管盖。
- 6. 在四个螺丝孔中使用适当的紧固件将底座单元固定到安装表面。

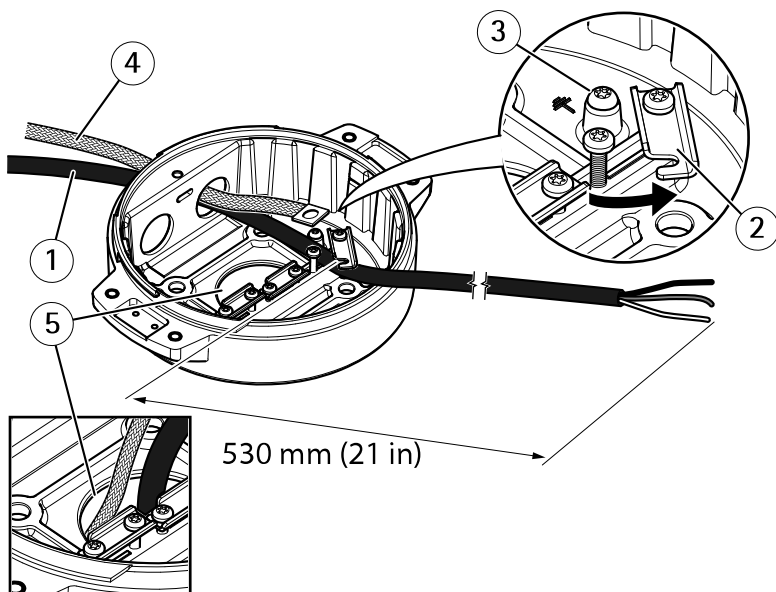
布线

警告

电击风险。本产品应同时使用电源线中的保护地线和接地编织层进行接地。确保保护地线和接地编织层的两端与其各自的接地表面接触。

重要

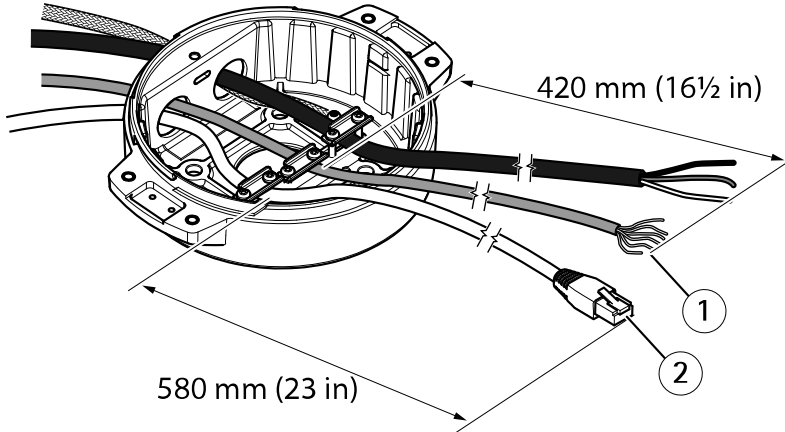
仅使用符合指定电缆区域要求的电缆。有关详细信息，请参见 *电缆厚度* 在第280页。



- 1 电源线 (不包括)
- 2 应力消除器
- 3 接地螺丝
- 4 接地编织层 (不包括)
- 5 底部电缆孔

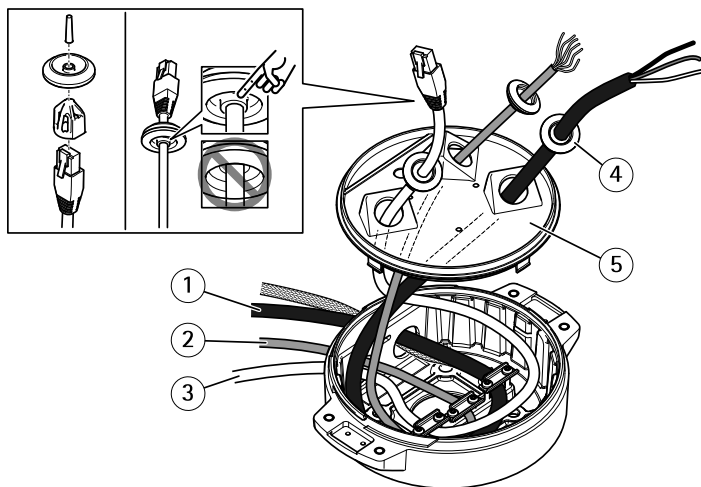
AXIS T99A10 Positioning Unit 24 V AC/DC

1. 安装可选的导线管适配器（不包括）。
2. 将接地编织层连接到接地螺丝。
3. 将电源线、I/O 电缆和网络电缆穿过底座单元上的孔（如上图所示）。或者，将其穿过底部电缆孔。
4. 将电源线穿过应力消除器，并保持应力消除器与电缆末端距离为 530 毫米（21 英寸）。



- 1 I/O 电缆（可选，不包括）
- 2 网络电缆（不包括）

5. 将 I/O 电缆（可选）穿过应变消除件，并使应变消除件至电缆端的距离为 420 毫米（16 1/2 英寸）。
6. 将网络电缆（光纤电缆和/或 RJ45 电缆）穿过应力消除器，并保持应力消除器与连接器末端的距离为 580 毫米（23 英寸）。有关不同网络连接选项的详细信息，请参见 [安装网络链路](#) 在第 260 页。
7. 合上并拧紧这三个应力消除器。



- 1 电源线 (不包括)
- 2 I/O 电缆 (可选, 不包括)
- 3 网络电缆 (不包括)
- 4 电缆垫片
- 5 透明底座单元盖板

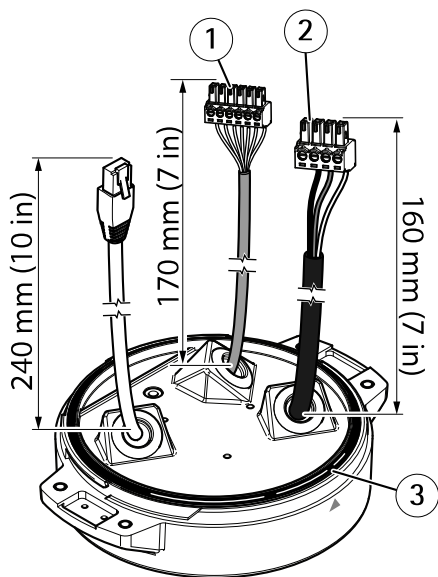
8. 将电缆垫片安装到电缆上。请参见 *电缆厚度* 在第280页。
9. 将电源线、I/O 电缆和网络电缆 (包括电缆垫片) 穿过透明底座单元盖板上的孔, 然后按照上图所示进行布线。

注意

如果您同时使用光纤电缆和 RJ45 电缆进行网络连接, 请将光纤电缆与 I/O 电缆穿过同一电缆垫片。在电缆和电缆垫片之间涂抹密封剂以防电缆滑出。有关不同网络连接选项的详细信息, 请参见 *安装网络链路* 在第260页。

10. 更换底座单元上的透明底座单元盖板, 并将电缆垫片安装在孔内。

AXIS T99A10 Positioning Unit 24 V AC/DC



- 1 I/O 连接器
- 2 电源连接器
- 3 O 形环

注意

保护地线务必比其他两条线（在电源线中）长约 10 毫米（3/8 英寸），以免拉扯时意外断开。

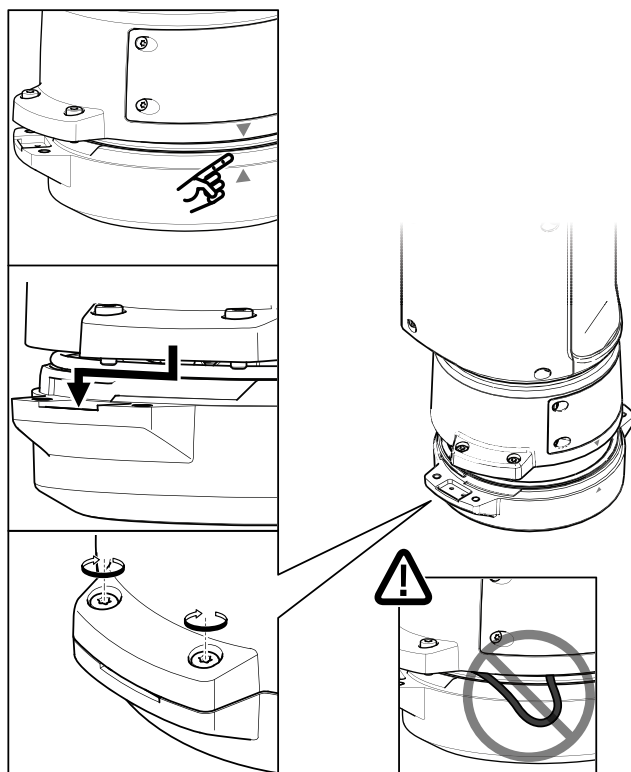
备注

我们建议您分别将电源电缆护套和 I/O 电缆护套剪下大约 90 毫米（3½ 英寸）和 70 毫米（2¾ 英寸），以便安装。

11. 安装电源连接器和 I/O 连接器，请参见 [接口](#) 在第 277 页。
12. 调整网络、I/O 和电源线，以使电缆垫片与连接器末端的距离分别为 240 毫米（10 英寸）、170 毫米（7 英寸）及 160 毫米（7 英寸）。

注意

确保 O 型环正确安装在透明底座单元盖板周围。

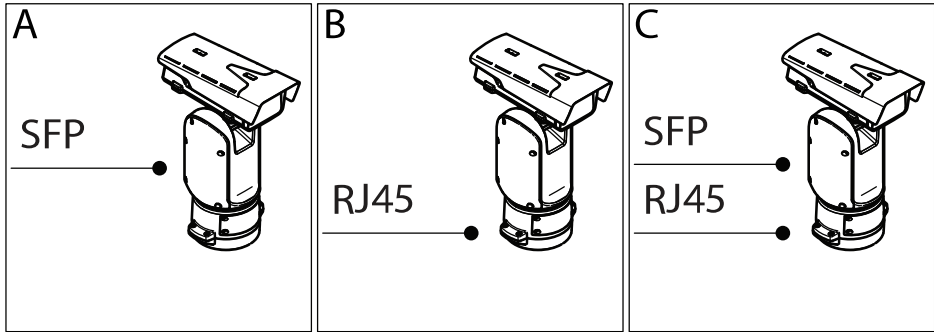


13. 调整底座单元上的定位单元，从而确保两个单元上的箭头对齐。
14. 按顺时针方向将定位装置转回至其初始位置并拧紧 4 个底座装置螺丝（扭矩 3.0 牛米）。

注意

在安装 2 个装置时，请确保电缆未被夹扁。

安装网络链路



您有不同的网络链路安装选项：

- A：通过光纤电缆或与 SFP 插槽中的 SFP 模块（带有相应的连接器）连接的 RJ45 电缆。
- B：通过与固定式 RJ45 连接器连接的 RJ45 电缆。
- C：同时连接上述两种电缆，在此情况下，通过 SFP 模块实现的连接用作主网络链路，而通过固定式 RJ45 连接器实现的连接用作故障转移链路。

有关网络连接器位置的详细信息，请参见 *接口* 在第277页。

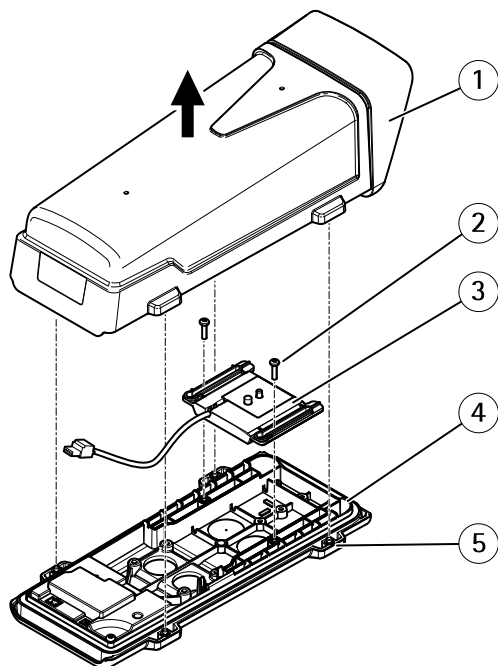
备注

- 不包括 SFP 模块。有关可用 SFP 模块的详细信息，请参见 www.axis.com
- 仅通过使用相应 SFP 模块的光纤电缆建立网络链路可用作远程布线安装的独立解决方案。

安装摄像机

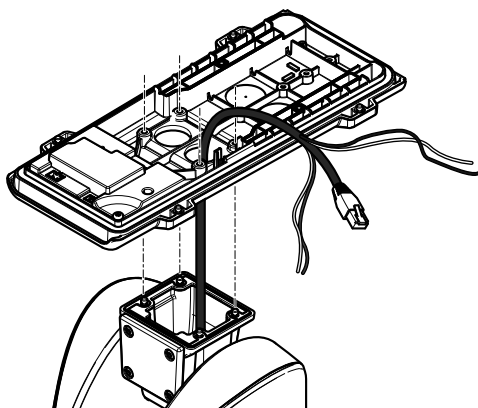
注意

本产品支持多个网络摄像机。有关支持摄像机的完整列表，请参见 www.axis.com。

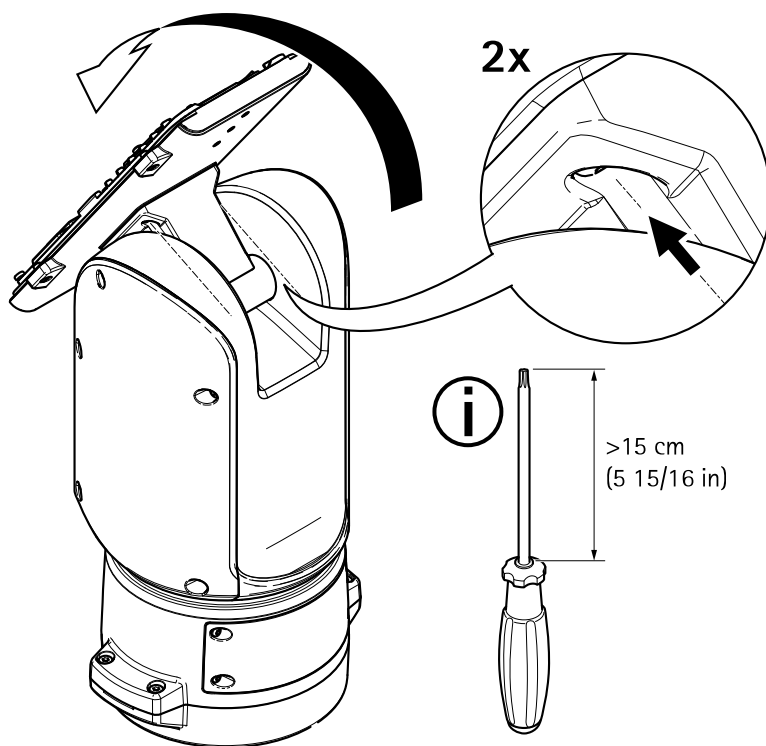


- 1 摄像机护罩顶盖
- 2 加热器固定架螺丝 (T20, 2 颗)
- 3 带加热器的加热器固定架
- 4 摄像机护罩底盖
- 5 摄像机护罩盖螺丝 (T20, 4 颗)

1. 移除四颗摄像机护罩盖螺丝 (T20)，然后从底盖上拆下顶盖。
2. 移除两颗加热器固定架螺丝 (T20)，然后从底盖上取下加热器。



3. 将网络电缆/电源线/串口线穿过底盖上的孔。
4. 将底盖安装在定位单元上。

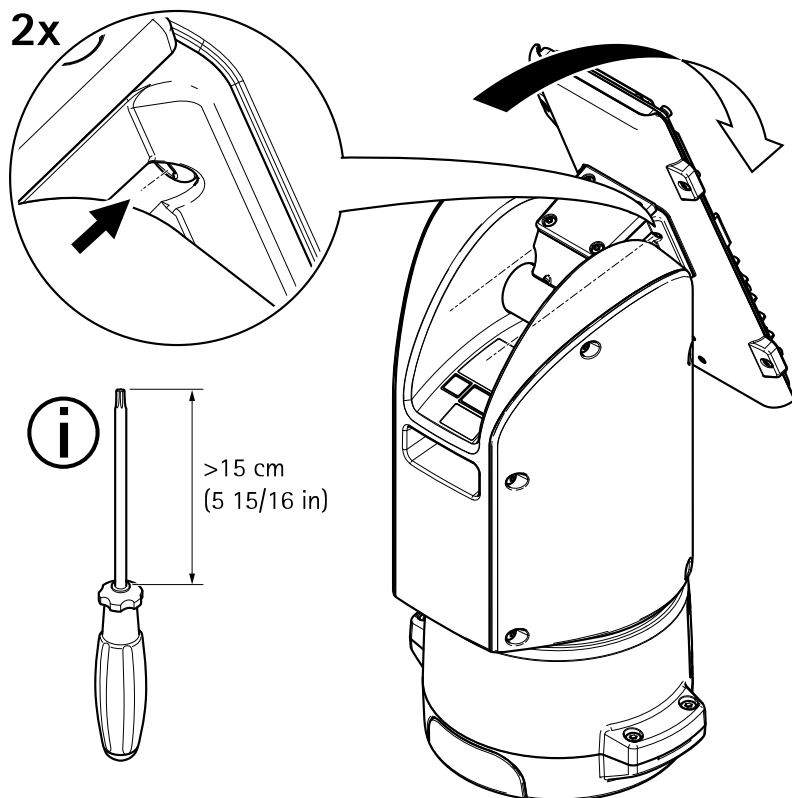


5. 将底盖向后倾斜到其终端位置，然后拧紧定位单元前面两颗螺丝（T20，扭矩 3.0 Nm）。

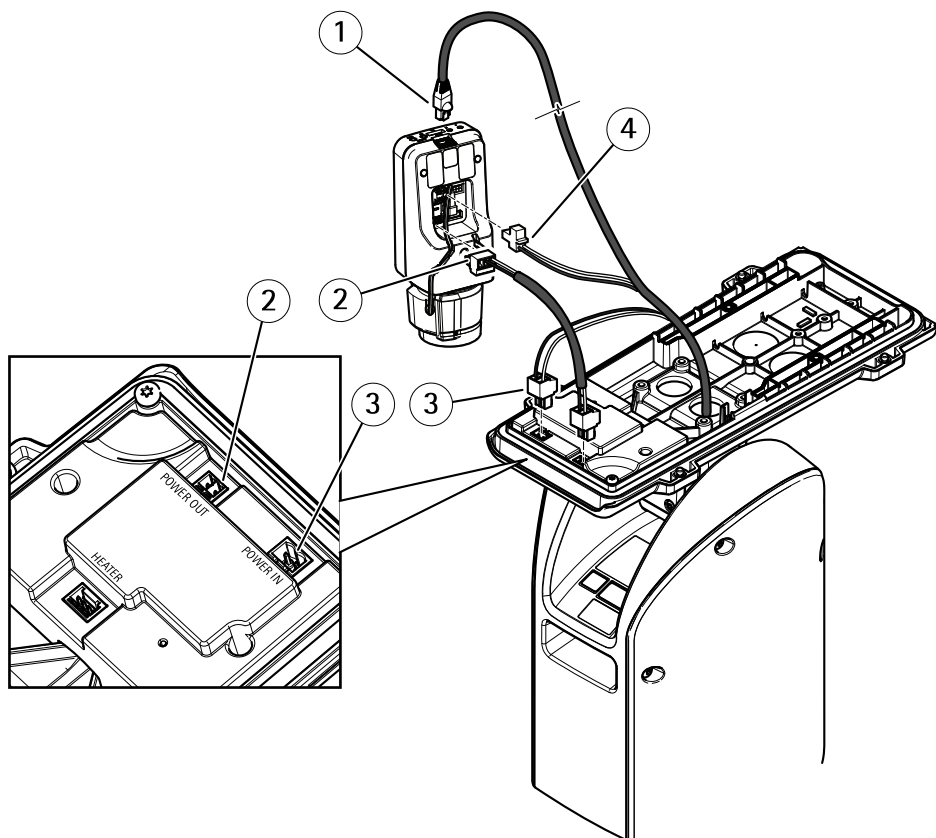
注意

要够到定位单元螺丝，请使用具有足够长刀片的螺丝刀（请见上图）。

ZH



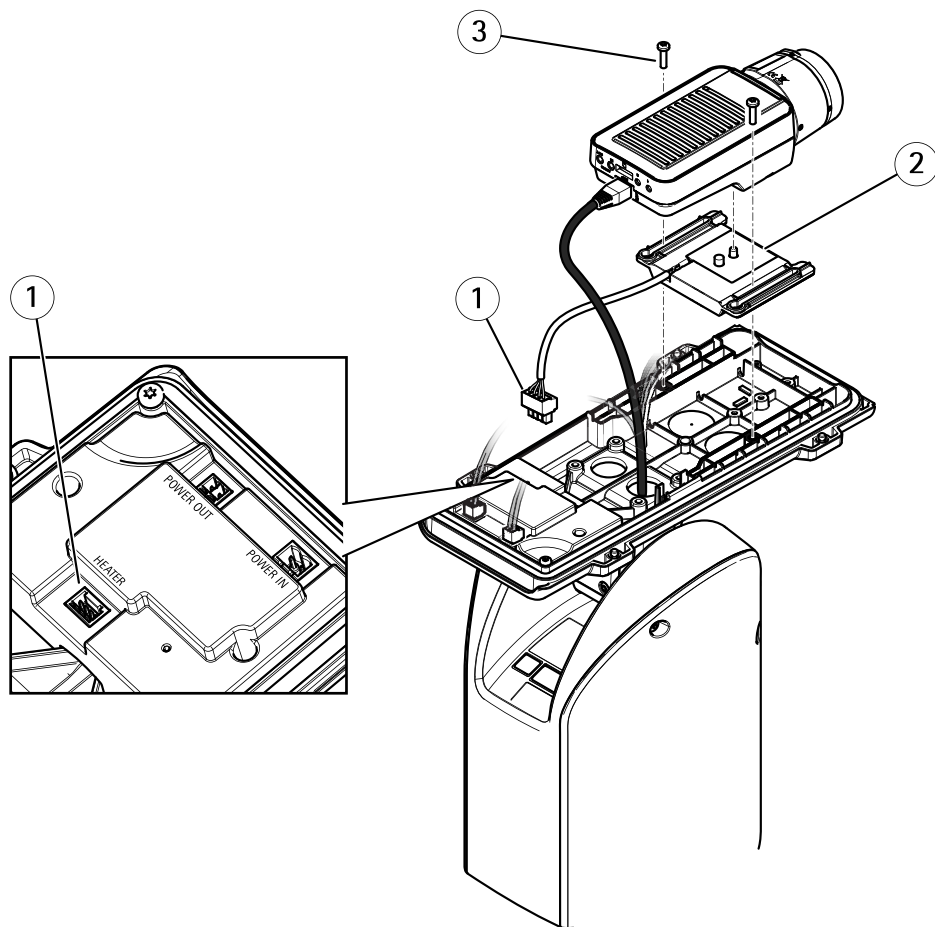
6. 将底盖向前倾斜到其终端位置，然后拧紧定位单元后面两颗螺丝（T20，扭矩 3.0 Nm）。



ZH

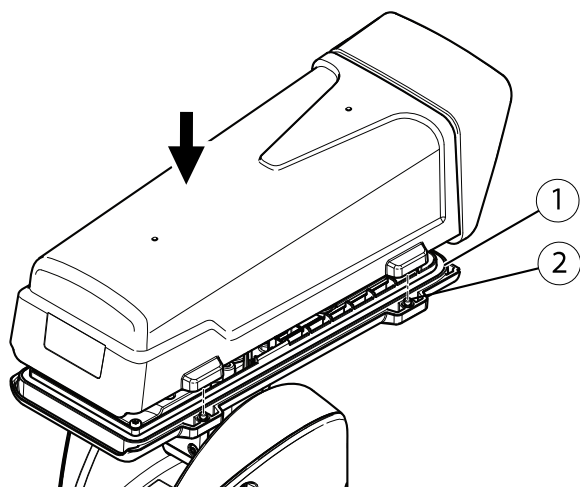
- 1 摄像机网络电缆
- 2 从底盖到摄像机的摄像机电源线（不含电缆，含连接器）
- 3 从定位单元到底盖的摄像机电源线（含电缆和连接器）
- 4 摄像机串口线（不含连接器）

7. 连接摄像机网络、串口和电源线。有关电缆规格的详细信息，请参见 *摄像机电源线* 在第281页和 *摄像机串口线* 在第281页。



- 1 加热器连接器和电缆
- 2 带加热器的加热器固定架
- 3 加热器固定架螺丝 (T20, 2 颗)

8. 将加热器固定架安装到摄像机。
9. 将加热器固定架及摄像机安装到摄像机外壳底部，然后拧紧两颗加热器固定架螺丝 (T20, 扭矩 0.5 Nm)。
10. 连接加热器电缆。

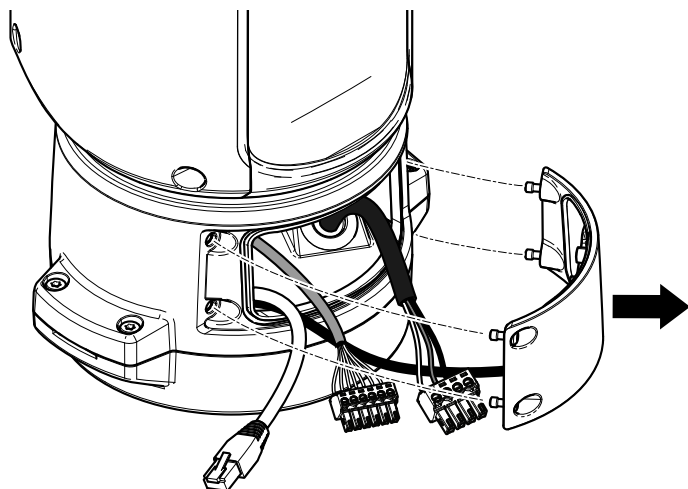


- 1 底盖垫圈
- 2 摄像机外壳盖螺丝 (T20, 4 颗)

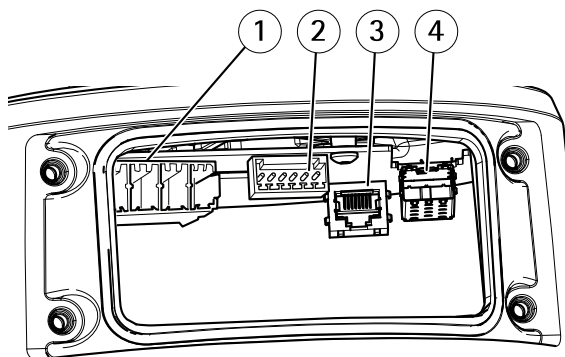
11. 将顶盖安装到底盖，然后交替拧四个盖子上的螺丝几次，直到螺丝拧紧为止（T20，扭矩 1.5 Nm）。这有助于确保底盖中的垫圈均匀压缩。

ZH

连接电缆



1. 松开四颗盖子螺丝 (T20)，然后取下盖子。



- 1 输入电源连接器
- 2 I/O 连接器
- 3 RJ45 连接器
- 4 SFP 模块的 SFP 插槽 (不包括 SFP 模块)

2. 连接网络 (光纤和/或 RJ45)、I/O 和电源线。有关不同网络连接选项的详细信息，请参见 [安装网络链路](#) 在第260页。

3. 更换盖子，然后拧紧四颗盖子螺丝（扭矩 3.0 Nm）。
4. 接通产品电源。

安装 PTZ 驱动程序

本产品支持多个设备。有关支持设备的完整列表，请参见 axis.com

重要

一些摄像机需要正面朝下安装在摄像机护罩中，一些摄像机可使用自动旋转功能。在安装 PTZ 驱动程序之前，请在摄像机的实景上编辑图像设置来旋转图像，并关闭自动旋转。

1. 转到摄像机的网页。
2. 在安装向导中，转到**选择 PTZ 模式**，然后从下拉列表中选择**PTZ 驱动程序**。
3. 在访问实景后，转到**设置 > 系统 > 附件**。
4. 请选择下面一项操作：
 - 4.1 如果 PTZ 驱动程序未上传，请选择**上传驱动程序**。
 - 4.2 如果 PTZ 驱动程序已上传，请转到**选择要使用的驱动程序**，然后从下拉列表中选择 PTZ 驱动程序。
5. 选择视频通道。
6. 输入**设备 ID**，然后从下拉列表中选择**设备类型**。要确定要使用的设备类型，请参阅 PTZ 驱动程序随附的文档。
7. 转到 PTZ 选项卡，检查 PTZ 设置是否可用。

ZH

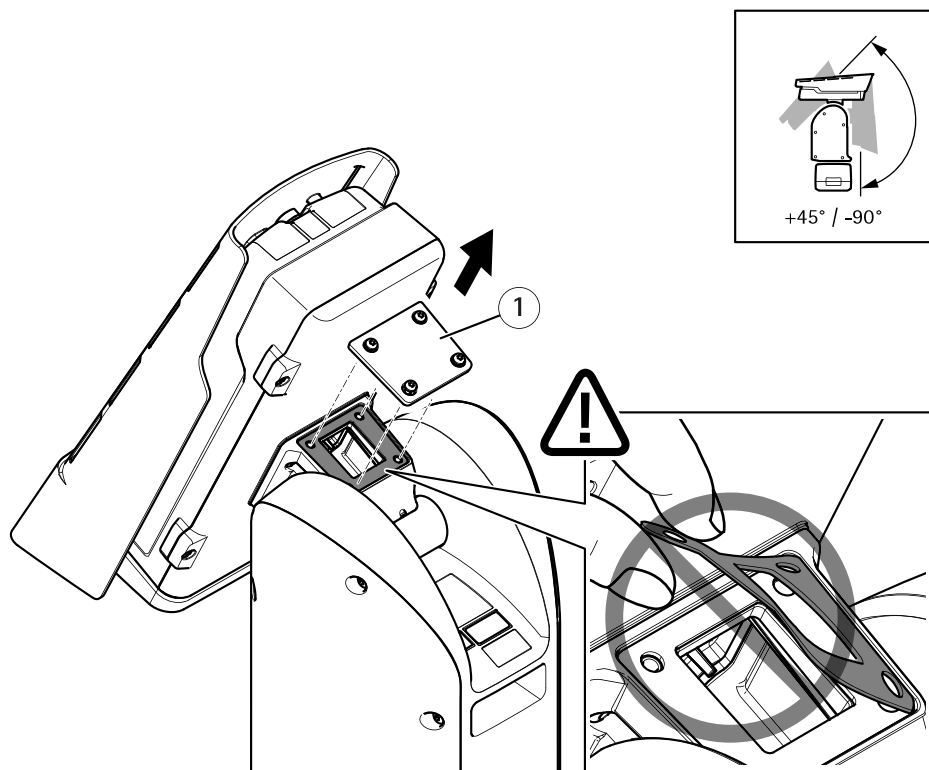
安装照明器套件（默认安装）

警告

- 电击风险。确保电源已断开。
- 照明器发出的红外光（风险组 2）可能对眼睛有害。请注意提供的指示。为了降低眼睛损伤的风险，请避免眼睛暴露，并在小于 1.5 米（4.9 ft）的距离内采用适当的屏蔽或护眼措施。

小心

在正常运行期间，照明器的表面可达到很高的温度。请勿直接接触，并将设备放置在未经授权的人员无法接近的地方。在触摸之前，请关闭照明器并让其至少冷却 10 分钟。

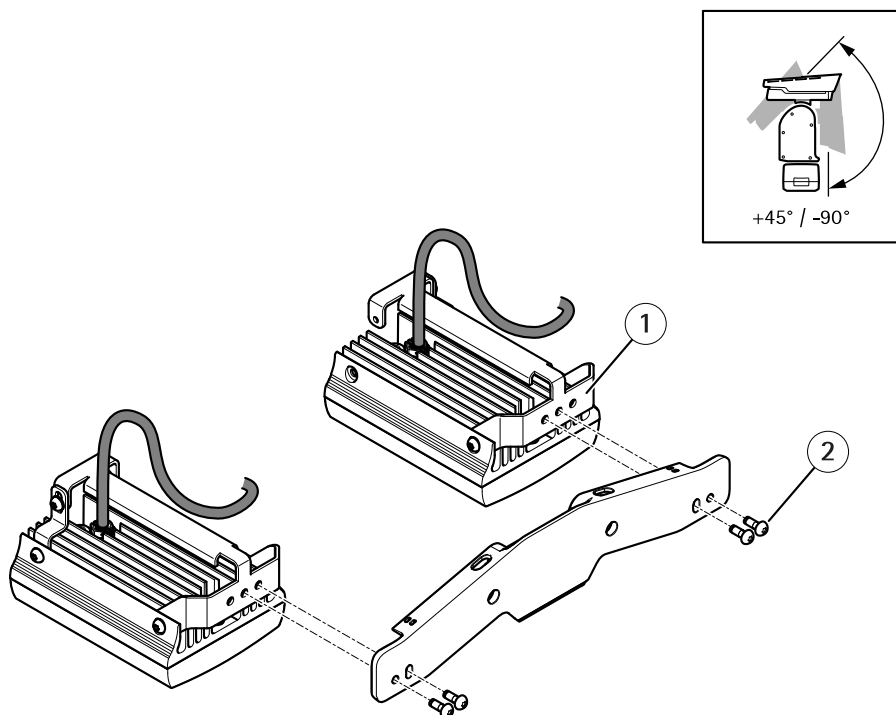


1 机盖

1. 移除四颗机盖螺丝 (T20)，然后取下机盖。

重要

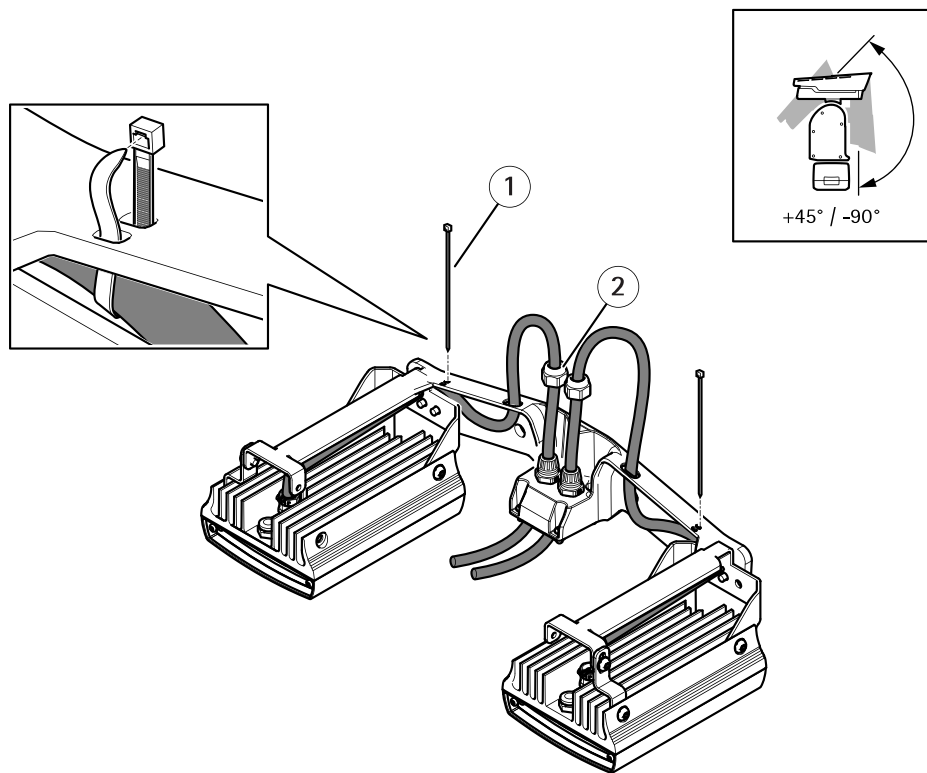
确保机盖下方的垫圈仍保持在原位。



- 1 照明器 (2 个)
- 2 螺丝 (M6, 4 个)

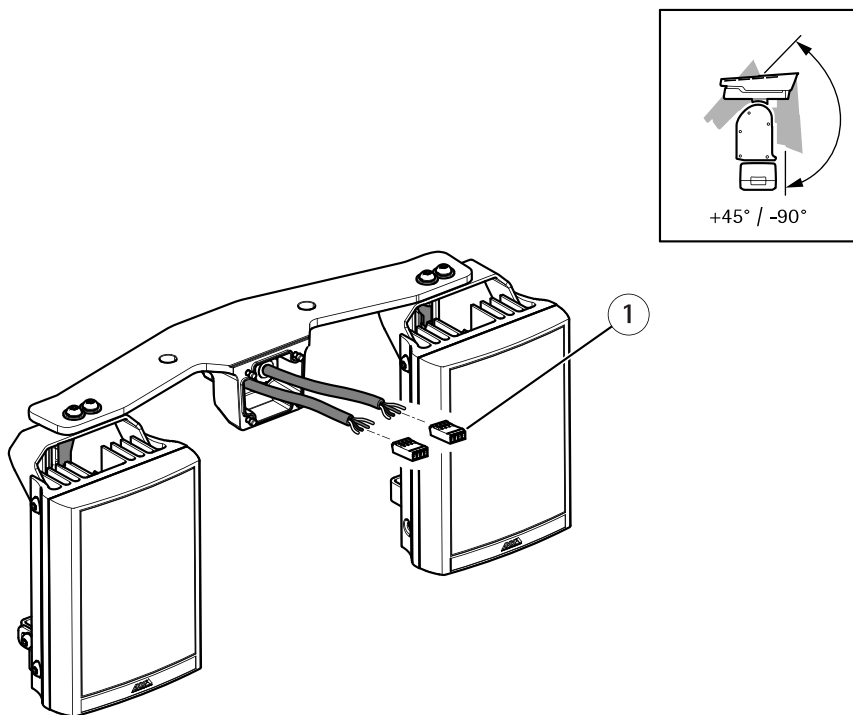
2. 使用 4 个螺丝将照明器安装至照明器支架。

AXIS T99A10 Positioning Unit 24 V AC/DC



- 1 扎线带 (2 条)
- 2 盖螺母 (2 颗)

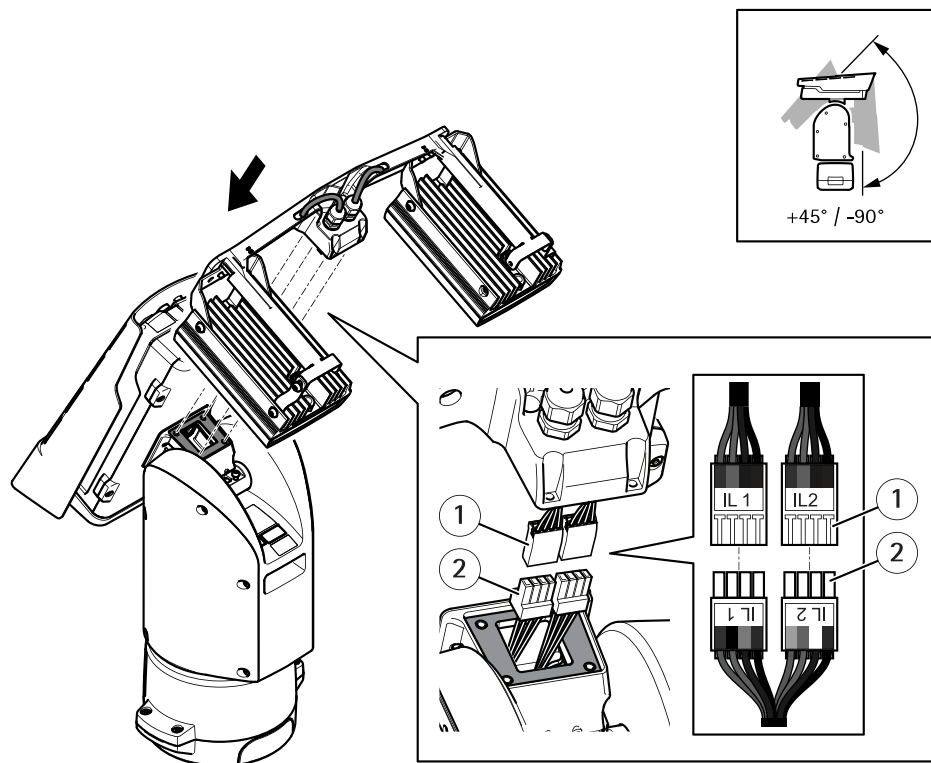
3. 如上所示布线并拧紧盖螺母 (扭矩 1.5 牛米)。
4. 使用扎线带将电缆绑在照明器支架上。



ZH

1 照明器连接器 (2个)

5. 安装连接器。请参见 [接口](#) 在第277页。



- 1 照明器连接器 (2个)
- 2 定位单元连接器 (2个)

6. 连接电缆。请参见 [接口](#) 在第277页。
7. 使用四颗螺丝 (T20, 扭矩 3.0 Nm) 将照明器支架连接到定位单元。

备注

有关操作照明器的更多信息, 请查阅 www.axis.com 上的照明器 LED 手册 (检查产品标签上的型号) 以及兼容安讯士产品的用户手册

开启照明器套件

备注

仅当您安装了照明器套件时此选项才可用。

重要

这些说明仅适用于 **v8.40 以前** 的设备固件。

1. 转到产品网页。
2. 转到**设置 > PTZ > 高级 > 设备 > 视频源 1**的扩展驱动程序特定设置。
3. 对于**照明器 > IL1 型**：
 - 如果您连接了红外照明器，选择**红外**
 - 为白光照明器选择**白色**
4. 对**照明器 > IL2 型**重复上述步骤。

重要

这些说明仅适用于 **v8.40 或以后**的设备固件。

1. 转到产品网页。
2. 转到**设置 > 系统 > 附件**。
3. 对于**照明器 > IL1 型**：
 - 如果您连接了红外照明器，选择**红外**
 - 为白光照明器选择**白色**
4. 对**照明器 > IL2 型**重复上述步骤。

安装 SD 卡（可选）

标准或大容量 SD 卡（不包括）可用于在产品中本地存储录制内容。安装 SD 卡之前，请参见 *规格* 在 [第277页](#)。

1. 断开产品电源。
2. 移除四颗顶盖螺丝，然后取下顶盖。
3. 将 SD 卡插入 SD 卡插槽，请参见 *硬件概览* 在 [第250页](#)。
4. 更换顶盖，然后拧紧螺丝（扭矩 3.0 Nm）。
5. 重新连接产品电源。

更多信息

- 有关本文档的最新版本，请参见 www.axis.com
- 要检查是否有产品的可用更新固件，请参见 www.axis.com/support
- 如需有用的在线培训和在线研讨会，请参见 www.axis.com/academy

可选附件

欲查看本产品可用附件的完整列表，请转到 axis.com 上的产品页并选择“软件和附件”。

质保信息

有关安讯士产品质保的信息及相关信息，请转到 axis.com/warranty。

规格

要查找最新版本的产品数据表，请转到 axis.com 上的产品页并查找**支持和文档**。

接口

网络连接器

RJ45 以太网连接器。

SFP 连接器。

注意

该产品应使用屏蔽网络电缆 (STP) 或光纤电缆进行连接。将产品连接到网络的电缆应专用于其特定用途。确保根据制造商的说明安装网络设备。有关法规要求的信息，请参见 *Electromagnetic compatibility (EMC) on page 8*。

I/O 连接器

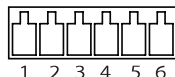
在外部设备结合了移动侦测、事件触发和报警通知等功能的情况下，使用 I/O 连接器。除 0 V DC 参考点和电源 (DC 输出) 外，I/O 连接器还提供连接至以下模块的接口：

数字输入 – 用于连接可在开路和闭路之间切换的设备，例如 PIR 传感器、门/窗触点和玻璃破碎侦测器。

数字输出 – 用于连接继电器和 LED 等外部设备。已连接的设备可通过 VAPIX® 应用程序编程接口或从产品网页进行激活。

一个**数字光传感器** – 用于接收外部光传感器传输的环境光强度值。这用于控制产品的日夜转换功能。

6 针可配置接线端子

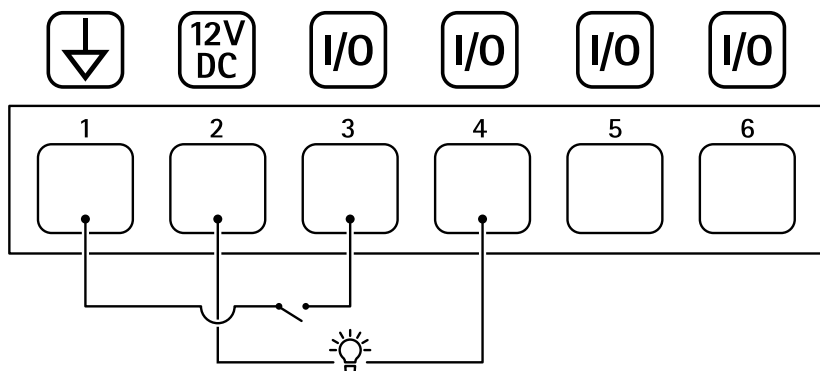


功能	针脚	注意事项	规格
DC 接地	1		0 V DC
DC 输出	2	可用于为辅助设备供电。 注意：此针脚只能用作电源输出。	12 V DC 最大负载 = 50 mA

AXIS T99A10 Positioning Unit 24 V AC/DC

可配置（输入或输出）	3-6	数字输入 - 连接至针 1 以启用，或保留浮动状态（断开连接）以停用。	0 至最大 30 V DC
		数字输出 - 启用时内部连接至针 1（DC 接地），停用保留浮动状态（断开连接）。如果与电感负载（如继电器）一起使用，则将二极管与负载并联连接，以防止电压瞬变。	0 至最大 30 V DC，开漏，100 mA

示例



- 1 DC 接地
- 2 DC 输出 12 V，最大 50 mA
- 3 I/O 配置为输入
- 4 I/O 配置为输出
- 5 可配置的 I/O
- 6 可配置的 I/O

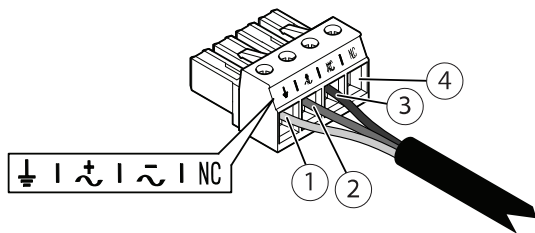
电源连接器

4 针接线端子，用于电源输入。

24 V AC/DC 电源连接器

注意

本部分仅适用于由 24 V AC 和 24 V DC 供电的产品。



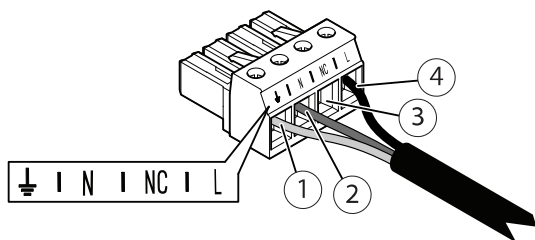
此表仅适用于 24 V AC 和 24 V DC 电源连接器。

位置	24 V AC	24 V DC
1	保护接地	保护接地
2	24 V AC 相	+ 24 V
3	24 V AC 零线	0 V
4	未连接	未连接

240 V AC 电源连接器

注意

本部分仅适用于由 100–240 V AC 供电的产品。



此表仅适用于 240 V AC 电源连接器。

位置	100–240 V AC
1	保护接地
2	240 V AC 零线
3	未连接
4	240 V AC 相

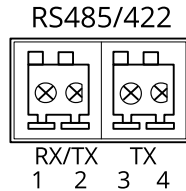
AXIS T99A10 Positioning Unit 24 V AC/DC

RS485/RS422 连接器

两个用于 RS485/RS422 串行接口的 2 针接线端子，用于控制辅助设备（如水平转动-垂直转动设备）。

串行端口可配置为支持：

- 两线 RS485 半双工
- 四线 RS485 全双工
- 两线 RS422 单工
- 四线式 RS422 全双工点对点通信



功能	针	说明
RS485/RS422 RX/TX A	1	(RX) 适用于全双工 RS485/RS422 (RX/TX) 适用于半双工 RS485
RS485/RS422 RX/TX B	2	
RS485/RS422 TX A	3	(TX) 适用于全双工 RS485/RS422
RS485/RS422 TX B	4	

电缆

电缆厚度

使用本产品随附的电缆垫片时，电缆直径应在 5 至 11 毫米（0.2 至 0.4 英寸）的范围内。

注意

- 使用保持在指定电缆区域内的电缆
- 选择符合当地法规的电缆
- 确保电缆孔都已正确密封
- 使用与电缆孔和电缆区域相匹配的电缆垫圈或电缆套管

有关附件（如适合其他电缆区域的电缆垫圈和电缆套管）的信息，请参见 www.axis.com

摄像机串口线

电缆颜色	规格
白色	RS485A
绿色	RS485B

摄像机电源线

电缆颜色	规格
红色	+ 24 V DC
黑色	0 V

工作条件

本安讯士产品适用于室内和室外使用。

温度	湿度
正常： -50° C 到 60° C (-58° F 到 140° F) 最高温度 (间歇)： 65° C (149° F) 冷启动： -40° C 到 60° C (-40° F 到 140° F)	10–100% RH (非冷凝)

ZH

0° C 到 50° C (32° F 到 122° F) 下的启动时间为 2 分钟。

功耗

标准功耗	最大功耗
10 W	169 W

重要

使用 22 米 (72 英尺) AXIS 电缆 24 V DC/24–240 V AC 时，需要能够提供 220 W 的电源，以补偿电缆中的功率损耗。

注意

标准功耗值基于以下因素：

- 忽略电源线中各种损耗
- 没有运行的定位单元
- 温度为 25 ° C/77 ° F (关闭所有加热器)
- 具有最大分辨率的一个 H.264 流
- 录制到 SD 卡的 MJPEG 流

