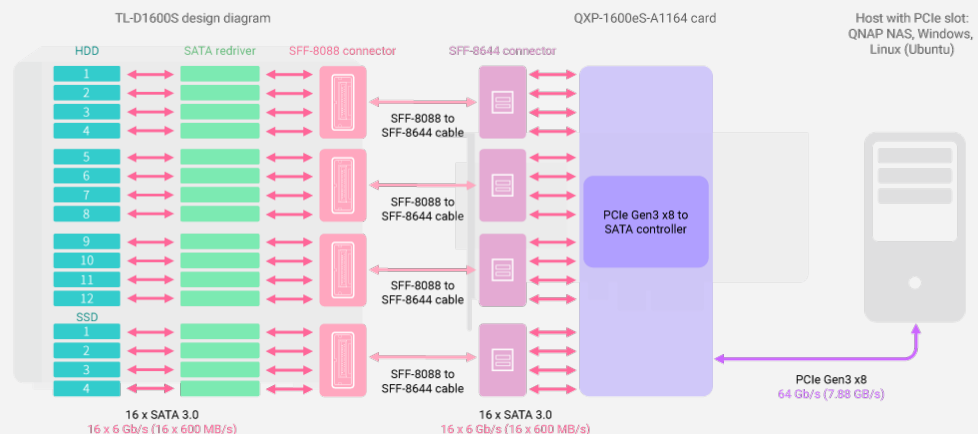


QXP-1600eS-A1164

Controller	4 x PCIe to SATA Controllers
Connector	4 x SFF-8644
Supported SATA driver numbers	16 x SATA 6Gb/s drives (Each SFF-8644 internal connector supports four SATA drives)
PCIe interfaces	PCIe Gen3 x8 (64Gbps)
Supported operating systems	QTS 4.5.4 or later, QuTS hero h4.5.4 or later - Windows 8 or later - Windows Server 2012 R2 or later - Linux with Kernel 3.10 or later
Form factor	117.72 x 68.9 x 18.26 mm (Without connector 111.65 x 68.9 x 18.26 mm)
Cable	QNAP provides 1.0M SFF-8644 to SFF-8088 cable for optional purchase. Order number: [CAB-SAS10M-8644-8088(https://shop.qnap.com/index.php?route=product/product&keyword=CAB&category_id=0&product_id=148)]

Architecture Diagram



Note: Use only QNAP memory modules to maintain system performance and stability. For NAS devices with more than one memory slot, use QNAP modules with identical specifications.

Warning: Using unsupported modules may degrade performance, cause errors, or prevent the operating system from starting.

* Sound Level Test

Environment: Refer to ISO 7779; Maximum HDD loaded; Bystander Position; Average data from 1 meter in front of operating NAS. Product images are for illustrative purposes only and may differ from the actual product. Due to differences in monitors, colors of products may also appear different to those shown on the site.

Designs and specifications are subject to change without notice.