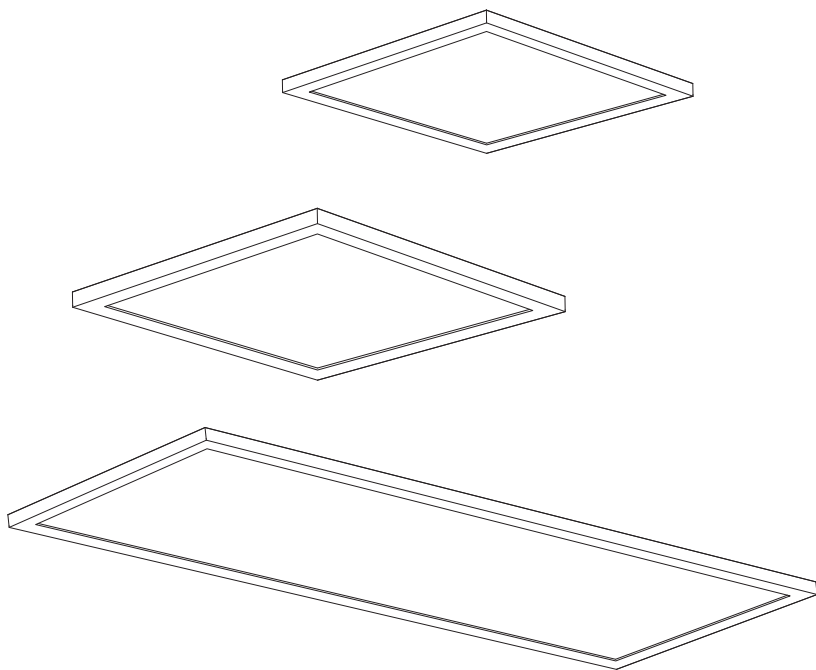


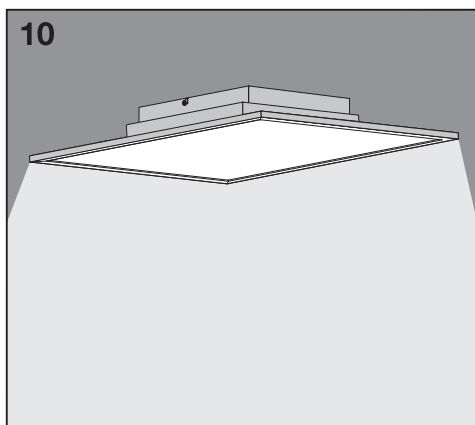
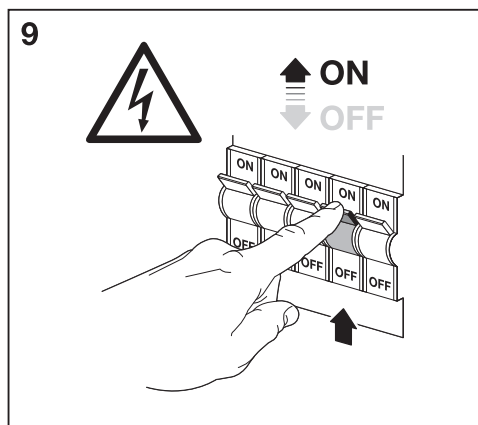
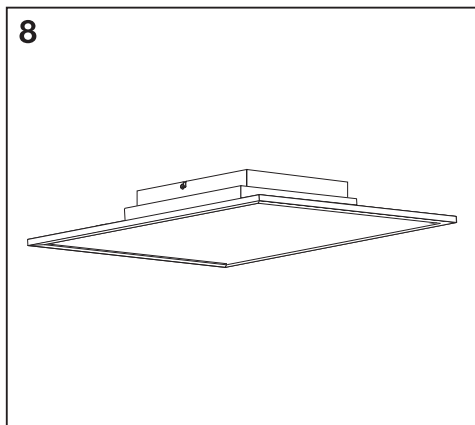
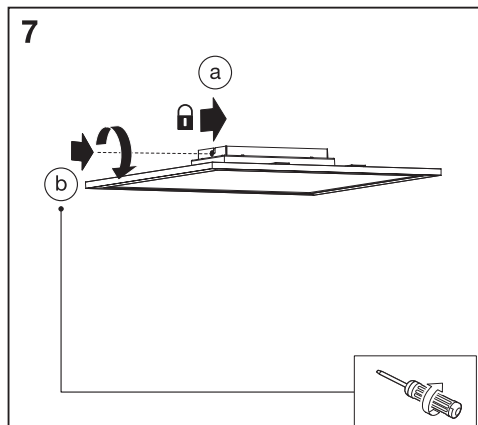
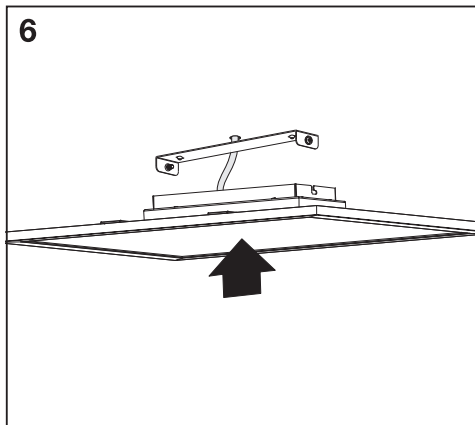
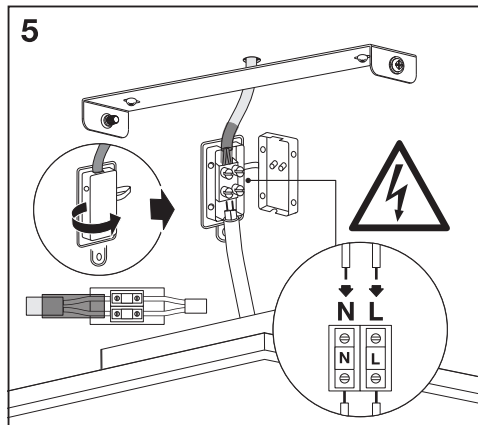








## SMART<sup>+</sup> PLANON PLUS

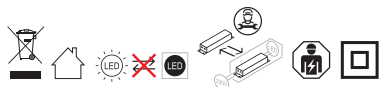


	EAN	W	lm Light Source	lm Output	K	Temp (°C)	V~	mA	Hz	DF	∠ (°)	
SMART WIFIPLANPLUSBL 45X45REMRGBTWWT	4058075650152	28	2900	2000	3000-6500	-20...+40	220-240	150	50/60	>0.9	110	15000
SMART WIFIPLANPLUSBL 60X60REMRGBTWWT	4058075650190	40	3950	3000	3000-6500	-20...+40	220-240	200	50/60	>0.9	110	15000
SMART WIFIPLANPLUSBL 100X25REMRGBTWWT	4058075650213	30	3050	1900	3000-6500	-20...+40	220-240	150	50/60	>0.9	110	15000
SMART WIFIPLANPLUSBL 45X45REMRGBTWBK	4058075650251	28	2900	1800	3000-6500	-20...+40	220-240	150	50/60	>0.9	110	15000
SMART WIFIPLANPLUSBL 60X60REMRGBTWBK	4058075650275	40	3950	2700	3000-6500	-20...+40	220-240	200	50/60	>0.9	110	15000
SMART WIFIPLANPLUSBL 100X25REMRGBTWBK	4058075650299	30	3050	1700	3000-6500	-20...+40	220-240	150	50/60	>0.9	110	15000





	EAN	This product contains a light source of energy efficiency class	Contained Light Source
SMART WIFIPLANPLUSBL 45X45REMRGBTWWT	4058075650152	E	
SMART WIFIPLANPLUSBL 60X60REMRGBTWWT	4058075650190	E	
SMART WIFIPLANPLUSBL 100X25REMRGBTWWT	4058075650213	E	
SMART WIFIPLANPLUSBL 45X45REMRGBTWBK	4058075650251	E	
SMART WIFIPLANPLUSBL 60X60REMRGBTWBK	4058075650275	E	
SMART WIFIPLANPLUSBL 100X25REMRGBTWBK	4058075650299	E	



C10449057  
G11146683  
05.08.2022



LEDVANCE GmbH  
Steinerne Furt 62  
86167 Augsburg, Germany  
[www.ledvance.com](http://www.ledvance.com)