



IDEAL FOR  
GIRDERS OR  
PURLIN  
BEAMS

# BT5922

## GIRDER / PURLIN MOUNT

### FOR USE WITH Ø38MM POLES



The BT5922 is a ceiling mount from B-Tech's System V Range and is designed to mount BT5935 Ø38mm poles from a girder or purlin beam. With an adjustable clamp, the BT5922 is suitable for a variety of different width I-Beams, C Section, Z Section and Sigma Section purlins. Users of System V can create custom ceiling mounted solutions that suit their specific needs, using compatible B-Tech mounting interfaces and accessory collars to mount CCTV dome cameras and other AV equipment such as flat screens.

#### SPECIFICATION

Min-Max I-beams width	65mm to 267mm
Min-Max C/Z Sigma-section purlin width	50mm to 230.5mm
Max load (When mounting on one side of the pole)	40kg
Max load (When mounting on both sides of the pole)	70kg
Tilt	+90°
Colour	White

#### FEATURES

- Allows the user to mount System V poles from a Girder or Purlin beam
- Suitable for I-beams, C section, Z section and Sigma section purlins
- Can be mounted to both Girder or Purlin beams at an angle of up to 90°
- Allows cables to pass through the mount and into the pole
- Safety bolt hole ensures a secure connection to System V poles and ceiling mounts



Attaches directly to **BT5935** Ø38mm poles.



Tilt function of 90° allows screens and CCTV equipment to be installed on an angled beam.

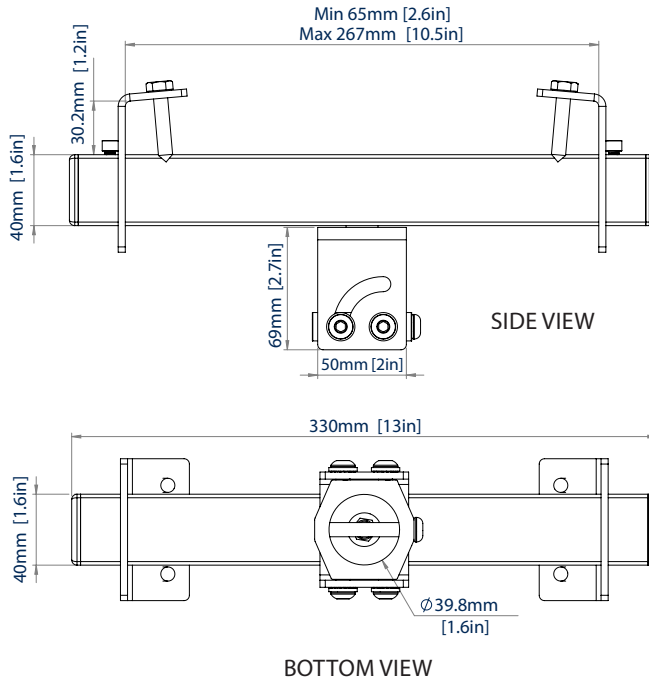


Adjustable clamp suitable for mounting onto a girder / I-beam.

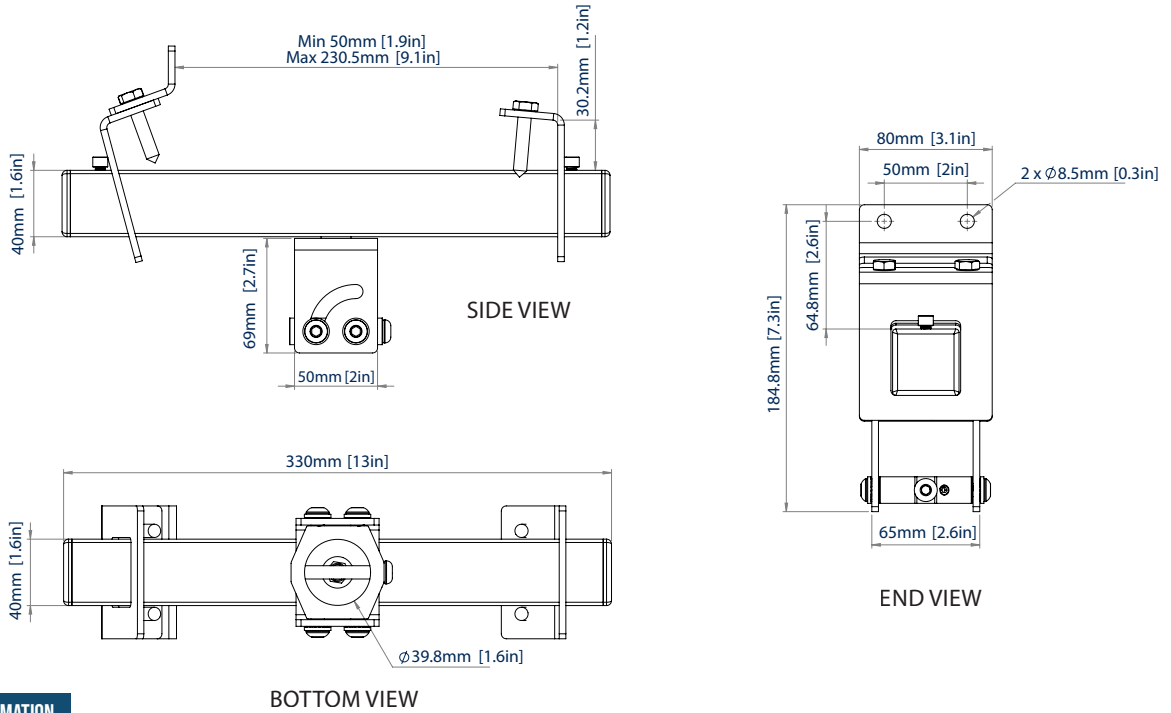


Suitable for C section, Z section and Sigma-section purlins.

I-BEAM



PURLIN



PACKING INFORMATION

COLOUR:	ORDER REF:	EAN CODE:	MASTER CARTON QTY:	MASTER CARTON WEIGHT:	MASTER CARTON CUBE:
White	BT5922/W	5019318306983	1	2kg	0.07cbm

RELATED PRODUCTS

<p><b>BT5935</b></p>	<p><b>BT5910</b></p>	<p><b>BT5920</b></p>	<p><b>BT5960-FD100</b></p>
----------------------	----------------------	----------------------	----------------------------

**Ø38mm poles**  
Available in 1, 2 and 3 metre lengths

**Dome Security Camera Mount**  
Carousel mount for small / medium dome CCTV cameras

**Fixed Ceiling Mount** for use with Ø38mm poles

**CCTV Ceiling Mount for Dome Surveillance Cameras**  
Complete off-the-shelf kit

© 2015 B-Tech Av Mounts. All rights reserved. This information is provided for informational purposes only. It is not intended to be used as a substitute for professional advice. B-Tech Av Mounts and its products are registered trademarks of B-Tech Av Mounts. All other trademarks are the property of their respective owners. B-Tech Av Mounts is not responsible for any damage or loss of data caused by improper use of its products. Any reproduction or transmission of any part of this specification is strictly prohibited unless prior written permission has been granted by B-Tech Av Mounts Manufacturing Ltd. (B-Tech).

SS-V1-BT5922-280522