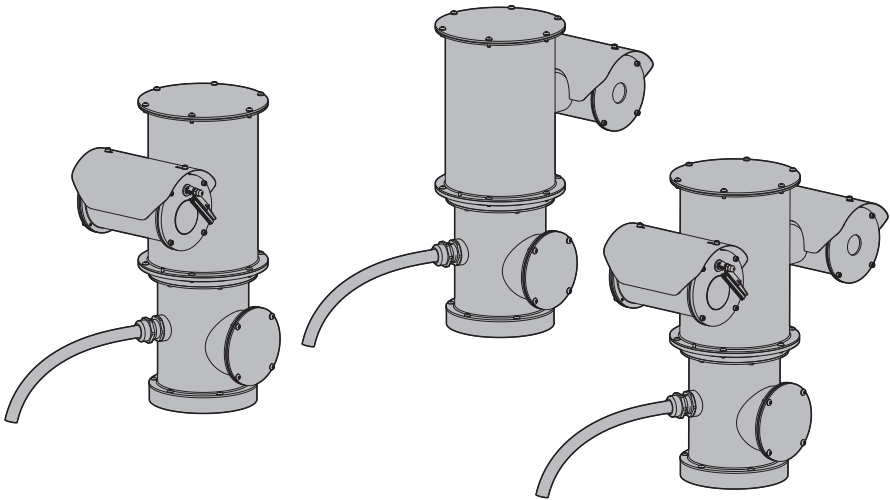


NXPTZ SERIES2 (NXPTZHD)

NXPTZR SERIES2 (NXPTZR)

NXPTZT SERIES2 (NXPTZT)

PTZ single or dual camera for marine onshore/offshore or industrial applications



EN English - Instruction manual

IT Italiano - Manuale di istruzioni

FR Français - Manuel d'instructions

DE Deutsch - Bedienungsanleitung

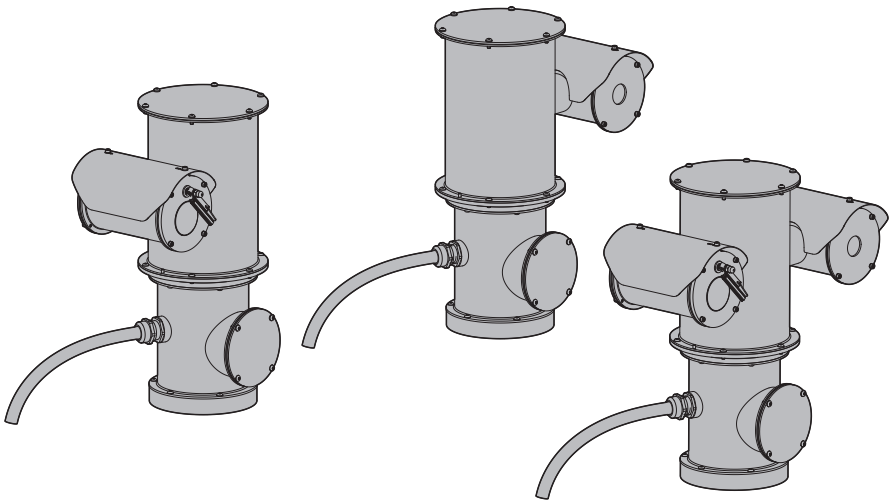
RU Русский - Руководство по эксплуатации

NXPTZ SERIES2 (NXPTZHD)

NXPTZR SERIES2 (NXPTZR)

NXPTZT SERIES2 (NXPTZT)

PTZ single or dual camera for marine onshore/offshore or industrial applications



Contents

1 About this manual	7
1.1 Typographical conventions	7
2 Notes on copyright and information on trademarks	7
3 Safety rules	7
4 Identification	10
4.1 Product description and type designation	10
4.2 Product marking	10
4.2.1 Checking the markings	10
5 Versions	11
5.1 Day/Night camera	11
5.2 Radiometric thermal camera	11
5.3 Dual Vision with Day/Night and radiometric thermal camera	11
5.4 Model identification	12
6 Preparing the product for use	14
6.1 Safety precautions before use	14
6.2 Unpacking	14
6.3 Contents	14
6.4 Safely disposing of packaging material	14
6.5 Preparatory work before installation	15
6.5.1 Fixing to parapet or ceiling mount	15
6.5.2 Fixing with wall mount bracket	16
6.5.3 Fixing the unit to the pole mount adapter or corner mount adapter	16
6.5.3.1 Fixing with pole mount	16
6.5.3.2 Fixing with corner adapter	17
6.5.4 Sunshield mounting	17
7 Installation	18
7.1 Range of use	18
7.2 Methods of installation	18
7.3 Connecting the power supply	19
7.4 Ethernet cable connection	19
7.5 Alarms and relays connections	20
7.5.1 Connecting an alarm with dry contact	20
7.5.2 Relay connection	20
7.5.3 Washing system connection	20
8 Switching on	21
8.1 First start-up	21
9 Configuration	21
9.1 Default IP address	21
9.2 Web interface	21
9.2.1 First access to the web pages	21
10 Accessories and Supports	22


10.1 Washer.....	22
10.2 Parapet or ceiling mounting bracket	22
10.3 Wall mount bracket.....	22
10.4 Corner mount adaptor.....	23
10.5 Pole mount adaptor.....	23
10.6 Adaptor for connection of fiber optics	23
11 Instructions for normal operation	24
12 Maintenance	24
12.1 Routine maintenance	24
12.1.1 Inspecting the cables	24
12.2 Extraordinary maintenance	25
12.2.1 Fuses replacement.....	25
12.2.2 Factory Default.....	25
13 Cleaning	26
13.1 Cleaning the window.....	26
13.2 Cleaning the product.....	26
14 Information on disposal and recycling	26
15 Troubleshooting.....	26
16 Technical data.....	27
16.1 NXPTZ SERIES2 (NXPTZHD)	27
16.1.1 Mechanical.....	27
16.1.2 Housing's window.....	27
16.1.3 Electrical	27
16.1.4 Network	27
16.1.5 Cybersecurity	27
16.1.6 Video	27
16.1.7 I/O interface.....	27
16.1.8 Cameras	28
16.1.9 Environment.....	29
16.1.10 Certifications	29
16.1.11 Certifications - Marine applications.....	29
16.2 NXPTZR SERIES2 (NXPTZR)	29
16.2.1 Mechanical	29
16.2.2 Housing's window.....	29
16.2.3 Electrical.....	30
16.2.4 Network.....	30
16.2.5 Cybersecurity	30
16.2.6 Video.....	30
16.2.7 I/O interface	30
16.2.8 Cameras.....	31
16.2.9 Environment	31
16.2.10 Certifications	31
16.2.11 Certifications - Marine applications.....	31
16.3 NXPTZT SERIES2 (NXPTZT)	31
16.3.1 Mechanical	31
16.3.2 Housing's window.....	31


16.3.3 Electrical.....	32
16.3.4 Network.....	32
16.3.5 Cybersecurity	32
16.3.6 Video.....	32
16.3.7 I/O interface	33
16.3.8 Cameras.....	33
16.3.9 Environment	34
16.3.10 Certifications	34
16.3.11 Certifications - Marine applications	34
16.4 Thermal cameras.....	35
17 Technical drawings.....	37


1 About this manual


Read all the documentation supplied carefully before installing and using this product. Keep the manual in a convenient place for future reference.

1.1 Typographical conventions

 **DANGER!**
High level hazard.
Risk of electric shock. Disconnect the power supply before proceeding with any operation, unless indicated otherwise.

 **DANGER!**
Mechanical hazard.
Risk of crushing or shearing.

 **CAUTION!**
Medium level hazard.
This operation is very important for the system to function properly. Please read the procedure described very carefully and carry it out as instructed.


 **INFO**
Description of system specifications.
We recommend reading this part carefully in order to understand the subsequent stages.

2 Notes on copyright and information on trademarks

The mentioned names of products or companies are trademarks or registered trademarks.

ONVIF® is a trademark of Onvif, Inc.


3 Safety rules


 **CAUTION!** The electrical system to which the unit is connected must be equipped with a 20A max automatic bipolar circuit breaker. The minimum distance between the circuit breaker contacts must be 3mm (0.1in). The circuit breaker must be provided with protection against the fault current towards the ground (differential) and the overcurrent (magnetothermal).

 A power disconnect device must be included in the electrical installation, and it must be very quickly recognizable and operated if needed.

 **CAUTION!** Hazardous moving parts. Keep fingers and other body parts away.

 **CAUTION!** Device installation and maintaining must be performed by specialist technical staff only.

 **CAUTION!** TNV-1 installation type. The installation is type TNV-1, do not connect it to SELV circuits.

 **If it is necessary to transport the device, this should be done with great care. Abrupt stops, bumps and violent impact could damage the unit or injure the user.**

- The manufacturer declines all responsibility for any damage caused by an improper use of the appliances mentioned in this manual. Furthermore, the manufacturer reserves the right to modify its contents without any prior notice. The documentation contained in this manual has been collected and verified with great care. The manufacturer, however, cannot take any liability for its use. The same thing can be said for any person or company involved in the creation and production of this manual.

- Before starting any operation, make sure the power supply is disconnected.
- Be careful not to use cables that seem worn or old.
- Never, under any circumstances, make any changes or connections that are not shown in this handbook. Improper use of the appliance can cause serious hazards, risking the safety of personnel and of the installation.
- Use only original spare parts. Non-original spare parts could cause fire, electrical discharge or other hazards.
- Before proceeding with installation, check the supplied material to make sure it corresponds to the order specification by examining the identification labels (4.2 Product marking, page 10).
- This device was designed to be permanently secured and connected on a building or on a suitable structure. The device must be permanently secured and connected before any operation.
- A power disconnect device must be included in the electrical installation, and it must be very quickly recognizable and operated if needed.
- This is a Class A product. In a domestic environment this product may cause radio interference. In this case the user may be required to take adequate measures.
- For products marked UL, powered at 24Vac, use a UL listed TNV/ES1 isolation transformer, compliant with IEC/UL 60950-1 and IEC/UL 62368-1.
- Installation category (also called Overvoltage Category) specifies the level of mains voltage surges that the equipment will be subjected to. The category depends upon the location of the equipment, and on any surge voltage protection provided. Equipment in an industrial environment, directly connected to major feeders/short branch circuits, is subjected to Installation Category III. If this is the case, a reduction to Installation Category II is required. This can be achieved by use of an insulating transformer with an earthed screen between primary and secondary windings, or by fitting UL listed Surge Protective Devices (SPDs) from live to neutral and from neutral to earth. Listed SPDs shall be designed for repeated limiting of transient voltage surges and the following rated operation conditions: Type 2 (SPDs permanently connected to the power network and intended for installation on the load side of the service equipment); Nominal Discharge Current (In) 20kA min. For example: FERRAZ SHAWMUT, STT2240SPG-CN, STT2BL240SPG-CN rated 120Vac/240Vac, (In=20kA). Maximum distance between installation and reduction is 5m.

- The equipment is intended for installation in a Restricted Access Area by specialist technical staff.
- To comply with the main supply voltage dips and short interruption requirements, use a suitable Uninterruptible Power Supply (UPS) to power the unit.
- The safety earthing system must be carried out according to local installation dispositions.
- The separate protective earthing terminal provided on this product shall be permanently connected to earth.
- For continued protection against risk of fire, replace only with same type and rating of fuse. Fuses must be replaced only by service personnel.
- Connect the device to a power source corresponding to the indications given on the marking label. Before proceeding with installation make sure that the power line is properly isolated. The supply voltage should never exceed the limit ($\pm 10\%$).
- The appliance includes moving parts. Make sure that the unit is positioned where it is inaccessible under normal operating conditions. Attach the warning label supplied with the appliance, placing it near the unit so that it can be seen easily.
- Attach the Dangerous Moving Parts label near the device. (Fig. 5, page 14).
- Do not use the appliance in the presence of flammable substances.
- Only skilled personnel should carry out maintenance on the device. When carrying out maintenance, the operator is exposed to the risk of electrocution and other hazards.
- Use only the accessories indicated by the manufacturer. Any change that is not expressly approved by the manufacturer will invalidate the warranty.
- Before connecting all the cables make sure the device is properly connected to the earth circuit.
- If the device has to be removed from the installation, always disconnect the earth cable last.
- Take all necessary precautions to prevent the apparatus from being damaged by electrostatic discharge.
- Handle the unit with great care, high mechanical stress could damage it.
- Make especially sure that the power supply line is insulated at a sufficient distance from all the other cables, including lightning protection devices.

4 Identification

4.1 Product description and type designation

PTZ single or dual camera for marine onshore/offshore or industrial applications.

The NXPTZ SERIES2 is resistant to rust and corrosion and does not require maintenance thanks to the absolute precision of the construction process and the solid AISI 316L stainless steel construction with micro-shot and electropolished surfaces.

4.2 Product marking

i The product has a label compliant with CE marking.

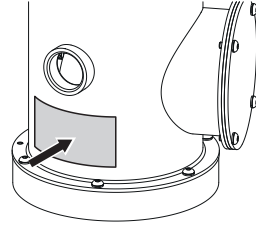


Fig. 1

The label shows:

- Model identification code.
- Supply voltage (Volt).
- Frequency (Hertz).
- Current consumption (Ampere).
- Protection degree (IP).
- Serial number.

4.2.1 Checking the markings

Before proceeding further with installation, make sure the material supplied corresponds to the order specification by examining the marking labels.

Never, under any circumstances, make any changes or connections that are not shown in this handbook. Improper use of the appliance can cause serious hazards, risking the safety of personnel and of the installation.

For more information regarding versions and product coding, please consult the relative chapter (5 Versions, page 11).

5 Versions

5.1 Day/Night camera

The Day/Night camera version of the product is equipped with a SONY camera or a camera with DELUX technology.

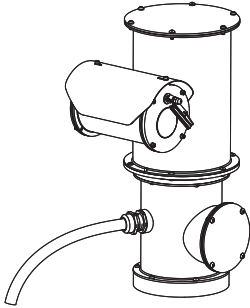


Fig. 2 NXPTZ SERIES2 (NXPTZHD).

5.2 Radiometric thermal camera

The radiometric thermal camera version of the product is equipped with a heat sensitive camera with radiometric or advanced radiometric functions.

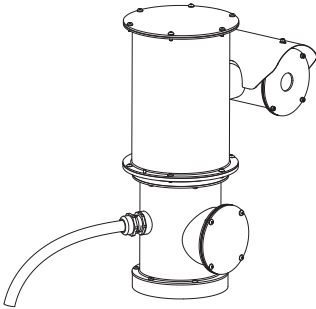


Fig. 3 NXPTZR SERIES2 (NXPTZR).

5.3 Dual Vision with Day/Night and radiometric thermal camera

The dual vision version of the product is equipped with a SONY Day/Night camera and a thermal camera with radiometric or advanced radiometric functions.

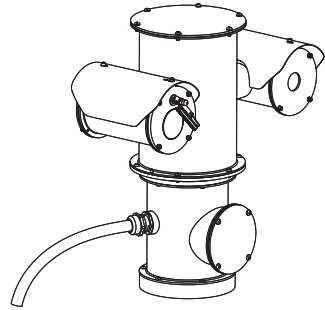


Fig. 4 NXPTZT SERIES2 (NXPTZT).

5.4 Model identification

NXPTZ SERIES2 - CONFIGURATION OPTIONS							
	Voltage		Camera		Options	Revision	
NXPTZHD	1	230Vac	1	Super Low-Light Day/Night 30X zoom, Full HD camera	VW0Z0	0 Without integrated video analytics (without VIDEOTECH ANALYTICS)	C Complies with ONVIF, Profile Q, Profile S and Profile T
	2	24Vac	2	SONY FCB-EV7520 camera, FULL HD 1080p, 30x		V With integrated video analytics (VIDEOTECH ANALYTICS)	J Complies with ONVIF, Profile S and Profile T
	3	120Vac					

Tab. 1 NXPTZ SERIES2 (NXPTZHD).

NXPTZR SERIES2 - CONFIGURATION OPTIONS								
	Voltage		Thermal Camera		Options		Revision	Frequency
NXPTZR	1	230Vac	Y	6.5° HFOV, Thermal camera 50mm (1.97in), 336x256	0 Thermal camera with radiometric functions	OZ00	C Complies with ONVIF, Profile Q, Profile S and Profile T	- 7.5Hz
	2	24Vac	A	9.3° HFOV, Thermal camera 35mm, 336x256	R Thermal camera with advanced radiometric functions		J Complies with ONVIF, Profile S and Profile T	H 30Hz
	3	120Vac	B	13° HFOV, Thermal camera 25mm, 336x256				
			V	17° HFOV, Thermal camera 19mm, 336x256				
			F	25° HFOV, Thermal camera 13mm, 336x256				
			C	35° HFOV, Thermal camera 9mm, 336x256				
			W	12.4° HFOV, Thermal camera 50mm (1.97in), 640x512				
			D	18° HFOV, Thermal camera 35mm, 640x512				
			E	25° HFOV, Thermal camera 25mm, 640x512				
			U	32° HFOV, Thermal camera 19mm, 640x512				
			G	45° HFOV, Thermal camera 13mm, 640x512				
			H	69° HFOV, Thermal camera 9mm, 640x512				

Tab. 2 NXPTZR SERIES2 (NXPTZR).

NXPTZT SERIES2 - CONFIGURATION OPTIONS											
	Voltage		Day/Night camera		Thermal camera		Options		Revision	Frequency	
NXPTZT	1	230Vac	2	SONY FCB-EV7520 camera, FULL HD 1080p, 30x	Y	6.5° HFOV, Thermal camera 50mm, 336x256	W	Thermal camera with radiometric functions	OZ00	C Complies with ONVIF, Profile Q, Profile S and Profile T	- 7.5Hz
	2	24Vac			A	9.3° HFOV, Thermal camera 35mm, 336x256	R	Thermal camera with advanced radiometric functions	J	Complies with ONVIF, Profile S and Profile T	H 30Hz
	3	120Vac			B	13° HFOV, Thermal camera 25mm, 336x256					
					V	17° HFOV, Thermal camera 19mm, 336x256					
					F	25° HFOV, Thermal camera 13mm, 336x256					
					C	35° HFOV, Thermal camera 9mm, 336x256					
					W	12.4° HFOV, Thermal camera 50mm, 640x512					
					D	18° HFOV, Thermal camera 35mm, 640x512					
					E	25° HFOV, Thermal camera 25mm, 640x512					
					U	32° HFOV, Thermal camera 19mm, 640x512					
					G	45° HFOV, Thermal camera 13mm, 640x512					
					H	69° HFOV, Thermal camera 9mm, 640x512					

Tab. 3 NXPTZT SERIES2 (NXPTZT).

6 Preparing the product for use



Any change that is not expressly approved by the manufacturer will invalidate the warranty.

6.1 Safety precautions before use



The appliance includes moving parts. Make sure that the unit is positioned where it is inaccessible under normal operating conditions. Attach the warning label supplied with the appliance, placing it near the unit so that it can be seen easily.



Fig. 5

6.2 Unpacking

When the product is delivered, make sure that the package is intact and that there are no signs that it has been dropped or scratched.

If there are obvious signs of damage, contact the supplier immediately.

When returning a faulty product we recommend using the original packaging for shipping.

Keep the packaging in case you need to send the product for repairs.

6.3 Contents

Check the contents to make sure they correspond with the list of materials as below:

- Positioning unit
- Sunshield (2 sunshields in the double camera version)
- Bolts and screws
- Wash system kit
- Label (CAUTION: Hazardous moving parts)
- Allen wrench
- Instruction manual

6.4 Safely disposing of packaging material

The packaging material can all be recycled. The installer technician will be responsible for separating the material for disposal, and in any case for compliance with the legislation in force where the device is to be used.

6.5 Preparatory work before installation

CAUTION! Device installation and maintaining must be performed by specialist technical staff only.

Use appropriate tools for the installation. The particular nature of the site where the device is to be installed may mean special tools are required for installation.

Choose an installation surface that is strong enough to sustain the weight of the device, also bearing in mind particular environmental aspects, such as exposure to strong winds.

It should be installed so that no one can be hit by moving parts. It should be installed so that moving parts cannot hit other objects and create hazardous situations.

Make sure the product is to be secured to building before operation.

For technical services, consult only and exclusively authorized technicians.

Since the user is responsible for choosing the surface to which the unit is to be anchored, we do not supply the fixing devices for attaching the unit firmly to the particular surface. The installer is responsible for choosing fixing devices suitable for the specific purpose on hand.

It is possible to install the unit with several brackets.

We strongly recommend using only approved brackets and accessories during installation.

6.5.1 Fixing to parapet or ceiling mount

For ceiling assembly, the Ceiling Assembly mode must be enabled using the web interface (Web Interface manual, Motion Parameters Page).

Fix the adaptor (01) to the bottom of the unit using the 4 flat countersunk screws (02) with hexagonal socket M10x20mm in stainless steel (A4 class 70) supplied.

Make sure the thread are free of dirt and debris.

Apply a generous amount of thread locking compound (Loctite 270) into the threaded holes in the base of the device.

Pay attention to the fixing. Tightening torque: 35Nm.

The thread compound must cure for one hour, allow for this period prior to completing the installation.

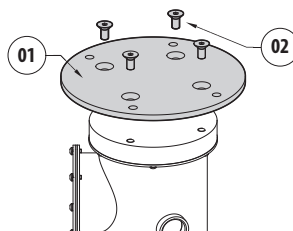


Fig. 6

Use the external holes in the adaptor to fix the assembled unit to the parapet or to the ceiling. Use screws that can bear at least 4 times the weight of the unit.

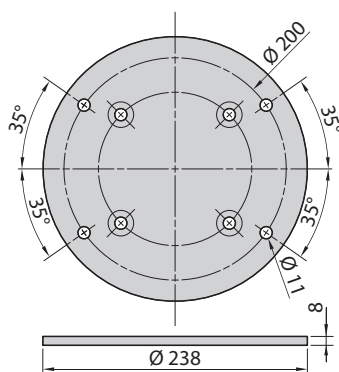


Fig. 7

6.5.2 Fixing with wall mount bracket

The bracket can be fixed to the vertical wall. Use screws and wall fixing devices that can bear at least four times the weight of the unit.

Fasten the device to the bracket by using 4 flat washers, 4 serrated stainless steel washers and 4 stainless steel hex head screws (A4 class 70) M10x20mm supplied.

Make sure the thread are free of dirt and debris.

Apply a generous amount of thread locking compound (Loctite 270) on the 4 screws.

Tighten the screws.



Pay attention to the fixing. Tightening torque: 35Nm.

The thread compound must cure for one hour, allow for this period prior to completing the installation.

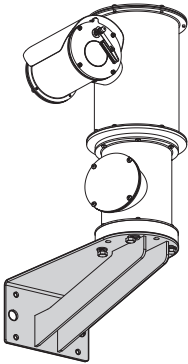


Fig. 8

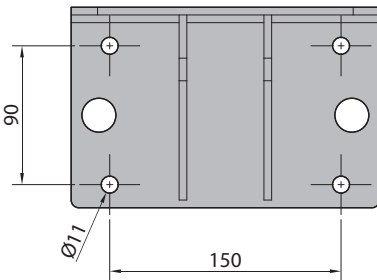


Fig. 9

6.5.3 Fixing the unit to the pole mount adapter or corner mount adapter

To install the product on a pole or at a wall corner, first of all fix the unit to the wall bracket (6.5.2 Fixing with wall mount bracket, page 16).

6.5.3.1 Fixing with pole mount

To fix the wall support bracket to the pole sling, use the 4 flat washers, the 4 grower washers in stainless steel and the 4 hexagonal head screws in stainless steel (A4 class 70) M10x30mm supplied.

Make sure the thread are free of dirt and debris.

Apply a generous amount of threadlocker (Loctite 270) on the 4 threaded holes on the pole mount adapter.

Tighten the screws.



Pay attention to the fixing. Tightening torque: 35Nm.

The thread compound must cure for one hour, allow for this period prior to completing the installation.

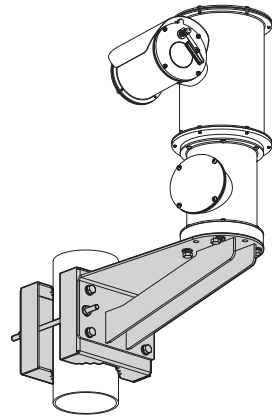


Fig. 10

6.5.3.2 Fixing with corner adapter

To fix the wall support bracket to the corner adaptor module, use the 4 flat washers, the 4 grower washers in stainless steel and the 4 hexagonal head screws in stainless steel (A4 class 70) M10x30mm supplied.

Make sure the thread are free of dirt and debris.

Apply a generous amount of threadlocker (Loctite 270) on the 4 threaded holes on the corner module.

Tighten the screws.

⚠ Pay attention to the fixing. Tightening torque: 35Nm.

The thread compound must cure for one hour, allow for this period prior to completing the installation.

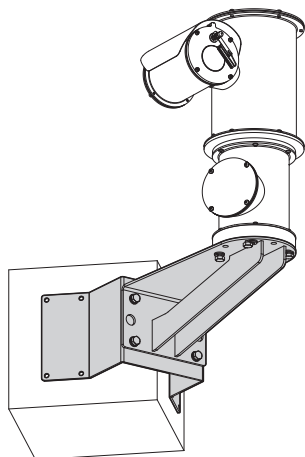


Fig. 11

6.5.4 Sunshield mounting

You can fix the sunshield to the housing using the screws supplied.

Apply a generous amount of thread locking compound (Loctite 270) into the threaded holes in the base of the device.

⚠ Pay attention to the fixing. Tightening torque: 2Nm.

The thread compound must cure for one hour, allow for this period prior to completing the installation.

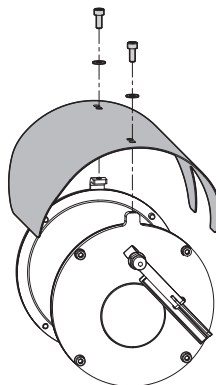


Fig. 12

7 Installation



CAUTION! Device installation and maintaining must be performed by specialist technical staff only.



Before starting any operation, make sure the power supply is disconnected.



At start up the system makes some automatic calibration movements: do not stand near the device when it is powered.



VIDEOTECH strongly recommend to test the device configuration and performance before putting it in the final installation site.



The product is equipped with a multicore cable that allows connections to be made.

7.1 Range of use

Installation temperature: from -40°C (-40°F) up to $+65^{\circ}\text{C}$ (149°F).

Operating temperature: from -40°C (-40°F) up to $+65^{\circ}\text{C}$ (149°F).

7.2 Methods of installation

The system can be installed only in a standard or inverted position (ceiling mount). When installed for inverted operation, the camera orientation and controller functions are reconfigured for normal operation through the system's software.

Hardware adjustment is not required for inverted operation.

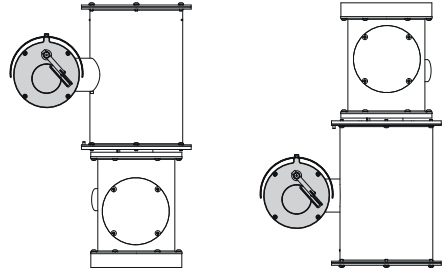


Fig. 13

7.3 Connecting the power supply



Electrical connections must be performed with the power supply disconnected and the circuit-breaker open.



When commencing installation make sure that the specifications for the power supply for the installation correspond with those required by the device.



Check that the power supply socket and cable are adequately dimensioned.

Depending on the version, the device can be provided with different power supply voltages. The power supply voltage is indicated on the product identification label (4.2 Product marking, page 10).

The multicore cable has the power and earthing cables inside.

Carry out the connections as described in the table.

CONNECTING THE POWER SUPPLY	
Cable colour	Description
Power supply 24Vac	
Black 2	(N) Neutral
Black 1	(L) Phase
Yellow/Green	Safety earth
Power supply 230Vac	
Black 2	(N) Neutral
Black 1	(L) Phase
Yellow/Green	Safety earth
Power supply 120Vac	
Black 2	(N) Neutral
Black 1	(L) Phase
Yellow/Green	Safety earth

Tab. 4

7.4 Ethernet cable connection



The Ethernet cable shield on the operator side must always be earthed via the connector.

Use a shielded RJ45 connector for the crimping of the Ethernet cable.

Carry out the connections as described in the table (according to the standard specifications: TIA/EIA-568-B).

CONNECTION OF THE ETHERNET CABLE

Pin number	Cable colour
1	Orange-White
2	Orange
3	Green-White
4	Blue
5	Blue-White
6	Green
7	Brown-White
8	Brown

Tab. 5

The example below shows a typical installation.

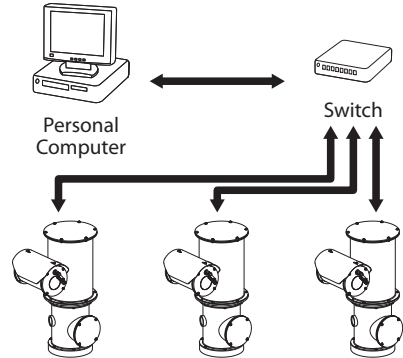


Fig. 14

7.5 Alarms and relays connections

The unit is equipped with the alarms and relays indicated in the table.

ALARMS AND RELAYS CONNECTIONS	
Cable colour	Description
Red-Blue	Relay 1, A
Grey-Pink	Relay 1, B
Brown-Green	Relay 2, A
White-Green	Relay 2, B
Green	Common alarm, COM
Brown	Alarm 1 (dry contact), AL1
White-Yellow	Reset input power supply
Black	Reset input

Tab. 6

⚠ Electrically disconnect all the cables not connected and not listed on the table because they have no function.

7.5.1 Connecting an alarm with dry contact

For a dry contact alarm (alarm AL1), implement the connection as shown in the figure.

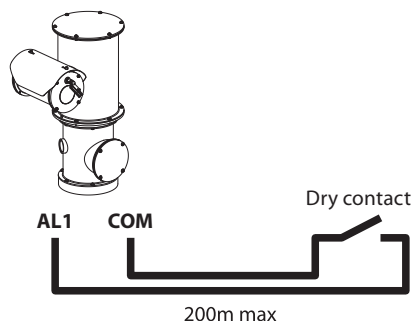


Fig. 15

The dry contact alarm can be NO (normally open) or NC (normally closed).

For further information refer to the relative chapter (Web Interface manual, Digital I/O Page).

i All alarms have a reach of 200m (656ft) max, which can be obtained using a shielded cable with a minimum section of 0.25mm² (23AWG).

7.5.2 Relay connection

⚠ The relay can be used with the specifications outlined below. Working voltage: up to 30Vac or 60Vdc. Current: 1A max. Use suitable cable sections with the following characteristics: from 0.25mm² (23AWG) up to 1.5mm² (15AWG).

Due to the absence of polarity, both terminals of the same relay can be connected either to alternating or direct current voltages.

7.5.3 Washing system connection

i For further details on configuration and use, refer to the relative manual.

When the washing system is enabled, the relay 2 report the pump activation (7.5 Alarms and relays connections, page 20).

About the configuration please refer to the relative manual (9.2 Web interface, page 21).

8 Switching on

- i** The automatic pre-heating (De-Ice) process could be started whenever the device is switched on and the ambient temperature is below 0°C (+32°F). The procedure is necessary to guarantee correct operation of the devices even at low temperatures. The duration ranges depending on environmental conditions (from 60 minutes up to 120 minutes).

The unit is switched on by connecting the power supply.

To switch off the unit disconnect the power.

8.1 First start-up

- ⚡** Ensure the unit and the other components of the system are appropriately closed to prevent contact with live parts.

- ⚠** Make sure that all parts are fastened down firmly and safely.

9 Configuration

9.1 Default IP address

- i** The unit is configured to obtain an IP address from a DHCP server.

The IP address acquired via DHCP is visible in the DHCP server log file.

If the DHCP server is not available, the unit automatically configures itself with a self-generated IP address in the 169.254.x.x/16 subnet. Configuring the IP address of the PC as belonging to the same subnet (example: IP address: 169.254.1.1, subnet mask: 255.255.0.0).

Use an ONVIF compliant VMS or a network sniffer to find the IP address of the device (IP scan utility).

9.2 Web interface

- i** Browsers supported (the latest version): Microsoft Edge, Google Chrome, Mozilla Firefox.

9.2.1 First access to the web pages

The first operation in configuring the device consists in connecting to the web interface.

To access the web interface of the product, simply use a browser to connect to address: `http://IP address`.

On first access, the Home page will be displayed.

To configure the web interface, consult the manual relating to the firmware version installed, available on the product web page of the website www.videotec.com.

10 Accessories and Supports

i For further details on configuration and use, refer to the manual of the relevant accessory or support.

10.1 Washer

The product can be equipped with an external pump that provides water to clean the glass.

To complete the installation of the washer use the kit supplied.

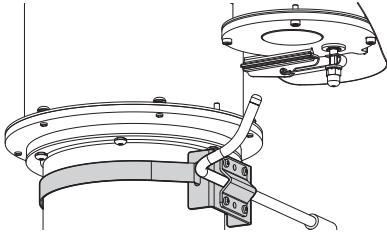


Fig. 16

i For further information refer to the relative chapter (9.2 Web interface, page 21).

10.2 Parapet or ceiling mounting bracket

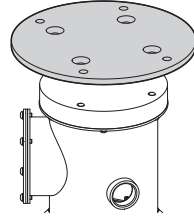


Fig. 17 NXPTZTW.

10.3 Wall mount bracket

Wall mount bracket.

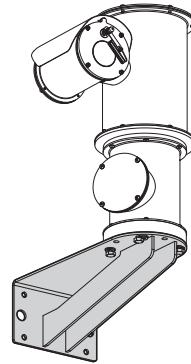


Fig. 18 NXPTZWB.

10.4 Corner mount adaptor

Corner mount adaptor.

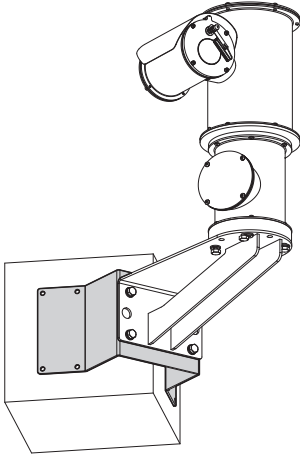


Fig. 19 NXPTZCW.

10.5 Pole mount adaptor

Pole mount adaptor.

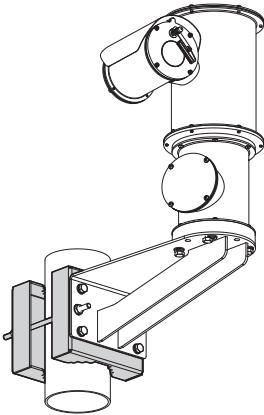


Fig. 20 NXPTZCOL.

10.6 Adaptor for connection of fiber optics

Adaptor for connection of fiber optics.

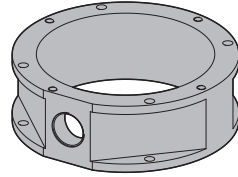



Fig. 21 NXPTZSFP.

11 Instructions for normal operation

 **Do not use the wiper if the ambient temperature is under 0°C or if there is ice.**

 **If it is left on, the wiper automatically disables itself.**


The device control can be performed through different modes:

- Through the user's controls of the web interface (9.2 Web interface, page 21).
- Through Video Management Software (VMS) that supports the ONVIF protocol. In this case the special controls are implemented using the auxiliary commands of the ONVIF protocol.
- Through PTZ Assistant software (the PTZ Assistant software is available to download on the product web page of the website: www.videotec.com).


12 Maintenance


 **Before doing any technical work on the device, disconnect the power supply.**

 **CAUTION! Device installation and maintaining must be performed by specialist technical staff only.**

 **The manufacturer declines all liability for damage to any of the apparatus mentioned in this handbook, when resulting from tampering, use of non-original spare parts, installation, maintenance and repairs performed by non-authorized, non-skilled personnel.**

 **For damage to any parts, repair or replacement must be done by, or under supervision of VIDEOTEC.**

 **Whenever replacing the parts as indicated, always use VIDEOTEC original spare parts and meticulously follow the maintenance instructions supplied with every spare parts kit.**

 **For all maintenance interventions, we recommend you return the product to the laboratory that will perform all required operations.**

When contacting VIDEOTEC for assistance please provide the serial number and the identification code of the model.

12.1 Routine maintenance

12.1.1 Inspecting the cables

The cables should not show signs of damage or wear, which could generate hazardous situations. In this case extraordinary maintenance is necessary.

12.2 Extraordinary maintenance

12.2.1 Fuses replacement

⚠ Maintenance must be performed with the power supply disconnected and the circuit-breaker open.

⚠ CAUTION! For continued protection against risk of fire, replace only with same type and rating of fuse. Fuses must be replaced only by service personnel.

If necessary, the connector board's fuses can be replaced inside the connection compartment.

Unscrew the screws and remove the cover.

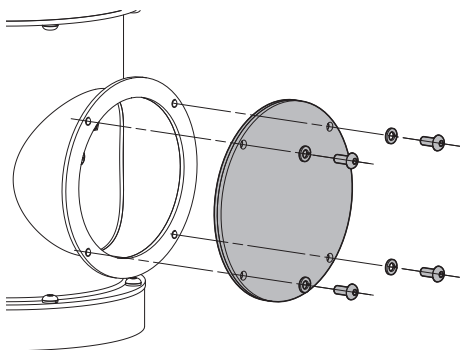


Fig. 22

The new fuses must comply with the directions given in the table.

FUSES REPLACEMENT		
Supply voltage	Fuse (F1)	Fuse (F2)
24Vac, 50/60Hz	T 4A H 250V 5x20	T 4A H 250V 5x20
120Vac, 50/60Hz	T 2A H 250V 5x20	T 4A H 250V 5x20
230Vac, 50/60Hz	T 2A H 250V 5x20	T 4A H 250V 5x20

Tab. 7

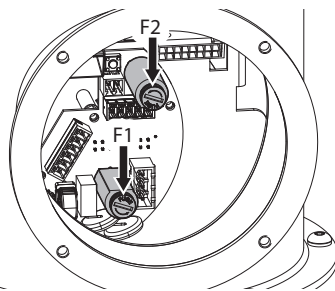


Fig. 23

At the end of the operations close the product.

⚠ Pay attention to the fixing. Tightening torque: 1.5Nm (±0.2Nm).

12.2.2 Factory Default


⚠ If the access password is no longer available, follow the procedure to reset to default factory settings.

To restore the factory settings relative to the network, user access and camera configuration follow this procedure:


- Switch off the unit.
- Use a clean contact to connect the reset (black cable) signal and the relative power supply (white-yellow cable).
- Power the unit.
- Wait for 2 minutes.
- Switch off the unit.
- Open the contact between the reset and the relevant power supply.
- Power the unit.

i Once the factory default procedure has finished, you need to configure the unit as described in chapter: 9.1 Default IP address, page 21.

13 Cleaning

 Frequency will depend on the type of environment in which the product is used.

13.1 Cleaning the window

 **Avoid ethyl alcohol, solvents, hydrogenated hydrocarbide, strong acid and alkali. Such products may irreparably damage the surface.**

We recommend using a soft cloth with neutral soap diluted with water or specific products to clean the lenses.

13.2 Cleaning the product

The device should be cleaned using a damp cloth; compressed air must not be used.

14 Information on disposal and recycling

The European Directive 2012/19/EU on Waste Electrical and Electronic Equipment (WEEE) mandates that these devices should not be disposed of in the normal flow of municipal solid waste, but they should be collected separately in order to optimize the recovery stream and recycling of the materials that they contain and to reduce the impact on human health and the environment due to the presence of potentially hazardous substances.

 **The symbol of the crossed out bin is marked on all products to remember this.**

The waste may be delivered to appropriate collection centers, or may be delivered free of charge to the distributor where you purchased the equipment at the time of purchase of a new equivalent or without obligation to a new purchase for equipment with size smaller than 25cm (9.8in).

For more information on proper disposal of these devices, you can contact the responsible public service.

15 Troubleshooting

 **Contact an authorised support centre if the problems persist or you have any other issues that are not described here.**

PROBLEM	The product does not turn on.
CAUSE	Wiring error, blown fuse.
SOLUTION	Make sure the connections are correct. Check the continuity of the fuses and replace them with the indicated models should they fail.
PROBLEM	The shooting area do not correspond to the selected preset position.
CAUSE	Loss of absolute position reference point.
SOLUTION	Run the device calibration procedure or reset the unit by rebooting it.
PROBLEM	The device does not move during the start-up phase.
CAUSE	The ambient temperature is too low.
SOLUTION	Wait until the end of the pre-heating procedure. The following message is displayed on the web page: De-Ice procedure in progress.

16 Technical data

16.1 NXPTZ SERIES2 (NXPTZHD)

16.1.1 Mechanical

Zero backlash

Pre-wired multipolar cable (3m (9.8ft), different lengths are available on request)

Horizontal rotation: 360°, continuous rotation

Vertical rotation: from -90° up to +90°

Horizontal speed (variable): from 0.1°/s up to 100°/s

Tilt speed (variable): from 0.1°/s up to 100°/s

Accuracy of preset positions: 0.02°

Integrated wiper

Unit weight: 22kg (44lb)

16.1.2 Housing's window

Extra clear glass window

- Thick: 5mm (0.2in)

16.1.3 Electrical

Supply voltage/Current consumption:

- 230Vac \pm 10%, 0.5A max, 50/60Hz
- 120Vac \pm 10%, 1A max, 50/60Hz
- 24Vac \pm 10%, 5A max, 50/60Hz

Power consumption:

- 120W max
- 30W, P&T static, heating switched off

16.1.4 Network

RJ45 port

- Ethernet connection: 10BASE-T/100BASE-T

Slot SFP (SMALL FORM FACTOR PLUGGABLE)

- Ethernet connection: 100BASE-FX
- Supply voltage: 3.3V
- Standard: MSA compliant

The SFP module (not supplied by VIDEOTEC) must meet the following requirements:

- Laser: Class 1, complies with EN60825-1
- Certification: UL/IEC 60950-1 or UL/IEC 62368-1

16.1.5 Cybersecurity

Digitally signed firmware

Password restricted access (HTTP digest)

Support of various user access levels

Control of accesses IEEE 802.1X

HTTPS cryptography using TLS1.0, TLS1.1, TLS1.2 and TLS1.3

Centralised certificate management

Complies with ONVIF Security Service specifications

16.1.6 Video

Video encoder

- Communication protocol: ONVIF, Profile Q, Profile S and Profile T
- Device configuration: TCP/IPv4-IPv6, UDP/IPv4-IPv6, HTTP, HTTPS, NTP, DHCP, WS-DISCOVERY, DSCP, IGMP (Multicast), SOAP, DNS
- Streaming: RTSP, RTCP, RTP/IPv4-IPv6, HTTP, Multicast
- Video compression: H.264/AVC, MJPEG, MPEG4, snapshot JPEG
- 3 independent video streams Full HD
- Image resolution: from 320x180pixel up to 1920x1080pixel in 8 steps
- Selectable frame rate from 1 to 60 images per second (fps)
- Web Server
- Directional OSD (maximum 4 settable areas)
- Motion Detection
- Video analytics: VIDEOTEC ANALYTICS (optional)
- QoS: Differentiated DSCPs for streaming and device management
- SNMP and NTCIP protocols

16.1.7 I/O interface

I/O alarm board:

- Alarm inputs: 1
- Relay outputs: 1+1 (1 relay reserved for washer pump and one configurable, 1A, 30Vac/60Vdc max)

Input for remote reset: 1

16.1.8 Cameras

SONY FCB-EV7520 Day/Night Full HD 30x

Resolution: Full HD 1080p (1920x1080)

Image Sensor: 1/2.8" Exmor™ R CMOS sensor

Effective Pixels: approx. 2.13 Megapixels

Minimum Illumination:

- Colour: 0.0013lx (50 IRE, High sensitivity on)
- B/W: 0.0008lx (30 IRE, High sensitivity on)

Focal length: from 4.3mm (wide) up to 129mm (tele)

Zoom:

- 30x
- 36x, with Stable Zoom enabled

Digital Zoom: 12x

Iris: from F1.6 up to F14 (Auto, Manual)

Horizontal Viewing Angle: from 63.7° (wide end) up to 2.3° (tele end)

Vertical Viewing Angle: from 38.5° (wide end) up to 1.3° (tele end)

Shutter speed: from 1/1s up to 1/10000s (Auto, Manual)

White balance: Auto, Auto Tracing, Indoor, Outdoor, Manual, Outdoor Auto, Sodium Lamp (Fix/Auto/Outdoor Auto)

Gain: from 0dB up to 50.0dB (Auto, Manual)

Wide Dynamic Range: 120dB

Focus System: Auto (PTZ Trigger, Full Auto), Manual

Picture Effects: E-flip

Noise removal (2D, 3D): Off, On (from level 1 up to level 5)

Exposure Control: Auto, Manual, Priority (Shutter priority, Iris priority, Brightness priority)

De-fog: Off, Low, Mid, High

Dynamic masking of privacy zones (PTZ): maximum 24 masks settable, maximum 8 simultaneously displayable

Privacy zones masking (cameras): maximum 8 settable masks

Indoor Flicker Reduction

Gain Limit: from 10.7dB up to 50dB

High sensitivity: On/Off

Backlight Compensation: On/Off

Auto Slowshutter: On/Off

Exposure compensation: Off, On (from -10.5dB up to +10.5dB)

Sharpness: from level 0 up to level 15

High Light Compensation (HLC): Off, Low, Mid, High, Masking Level (Off, On, from level 1 up to level 15)

Digital image stabilization: On/Off

Day/Night Full HD 30x DELUX

Resolution: Full HD 1080p (1920x1080)

Image Sensor: 1/2.8" Exmor™ R CMOS sensor

Effective Pixels: approx. 2.38 Megapixels

Minimum Illumination:

- Colour: 0.006lx (F1.6, 30 IRE)
- B/W: 0.0006lx (F1.6, 30 IRE)

Focal length: from 4.5mm (wide) up to 135mm (tele)

Zoom: 30x (480x with digital zoom)

Iris: from F1.6 up to F9.6 (Auto, Manual)

Horizontal Viewing Angle: from 61.60° (wide end) up to 2.50° (tele end)

Vertical Viewing Angle: from 37.07° (wide end) up to 1.44° (tele end)

Shutter speed: from 1/1s up to 1/10000s (Auto, Manual)

White balance: Auto, Manual

Gain: from 0dB up to 100dB (Auto, Manual)

Wide Dynamic Range: 120dB

Focus System: Auto, Manual, Trigger

Picture Effects: E-flip, Colour enhancement

Noise removal: 2D (3 levels), 3D (3 levels)

Exposure Control: Auto, Manual, Priority (Iris Priority, Shutter Priority), Brightness, Custom

De-fog: On/Off

Privacy zones masking: maximum 8 settable masks

Indoor Flicker Reduction

Auto Slowshutter: Off, On (from 1/30s up to 1/1s)

Exposure compensation: Off, On (from level 0 up to level 14)

Sharpness: from level 0 up to level 3

16.1.9 Environment

For indoors and outdoors installation

Operating temperature

- Continuous working: from -40°C (-40°F) up to +65°C (149°F)
- Temperature test complies with NEMA-TS 2-2003 (R2008) par. 2.1.5.1, test profile fig. 2-1 (from -34°C (-29.2°F) to +74°C (165.2°F)) (not valid for versions with VIDEOTEC ANALYTICS)
- De-icing function intervention (cold start): from -40°C (-40°F) up to -10°C (14°F)

Relative humidity: from 5% up to 95%

16.1.10 Certifications

Electrical safety (CE): EN60950-1, IEC60950-1, EN62368-1, IEC62368-1

Electromagnetic compatibility (CE): EN50130-4, EN55032 (Class A), EN61000-6-4, EN61000-3-2, EN61000-3-3

Outdoor installation (CE): EN60950-22, ICE60950-22

IP protection degree (EN/IEC60529): IP66, IP67, IP68, IP69

UL certification (UL60950-1, CAN/CSA C22.2 No. 60950-1-07, UL62368-1, CAN/CSA C22.2 No. 62368-1-14): cULus Listed (only for 24Vac version)

Electromagnetic compatibility (North America): FCC part 15 (Class A), ICES-003 (Class A)

Level of protection Type (UL50E): 4X (only for 24Vac version)

EAC certification

RoHS (CE): EN IEC 63000

Waste Electrical and Electronic Equipment (WEEE), Directive 2012/19/EU

16.1.11 Certifications - Marine applications

Lloyd's Register Marine Type Approval certification (the 24Vac and 120Vac versions require a filter accessory FM1010):

- Test Specification Number 1 (ENV1, ENV2, ENV3, ENV5)

Electromagnetic compatibility: EN60945

Salty fog resistance: EN60068-2-52

Tested at 70°C (158°F) for 16 hours in compliance with EN60068-2-2

16.2 NXPTZR SERIES2 (NXPTZR)

16.2.1 Mechanical

Zero backlash

Pre-wired multipolar cable (3m (9.8ft), different lengths are available on request)

Horizontal rotation: 360°, continuous rotation

Vertical rotation: from -90° up to +90°

Horizontal speed (variable): from 0.1°/s up to 100°/s

Tilt speed (variable): from 0.1°/s up to 100°/s

Accuracy of preset positions: 0.02°

Unit weight: 22kg (44lb)

16.2.2 Housing's window

Germanium window (9mm, 13mm, 19mm, 25mm, 35mm lenses)

- Thick: 1.5mm (0.06in)
- External treatment: antiscratch (Hard Carbon Coating - DLC)
- Internal treatment: antireflection
- Spectral range: from 7.5µm up to 14µm
- Medium transmittance (from 7.5µm up to 11.5µm): 91.2%
- Medium transmittance (from 11.5µm up to 14µm): 80.9%

Germanium window (50mm lens)

- Thick: 2mm (0.08in)
- External treatment: antiscratch (Hard Carbon Coating - DLC)
- Internal treatment: antireflection
- Spectral range: from 7.5µm up to 14µm
- Medium transmittance (from 7.5µm up to 11.5µm): 90%
- Medium transmittance (from 11.5µm up to 14µm): 77%

16.2.3 Electrical

Supply voltage/Current consumption:

- 230Vac \pm 10%, 0.5A max, 50/60Hz
- 120Vac \pm 10%, 1A max, 50/60Hz
- 24Vac \pm 10%, 5A max, 50/60Hz

Power consumption:

- 120W max
- 30W, P&T static, heating switched off

16.2.4 Network

RJ45 port

- Ethernet connection: 10BASE-T/100BASE-T

Slot SFP (SMALL FORM FACTOR PLUGGABLE)

- Ethernet connection:100BASE-FX
- Supply voltage: 3.3V
- Standard: MSA compliant

The SFP module (not supplied by VIDEOTEC) must meet the following requirements:

- Laser: Class 1, complies with EN60825-1
- Certification: UL/IEC 60950-1 or UL/IEC 62368-1

16.2.5 Cybersecurity

Digitally signed firmware

Password restricted access (HTTP digest)

Support of various user access levels

Control of accesses IEEE 802.1X

HTTPS cryptography using TLS1.0, TLS1.1, TLS1.2 and TLS1.3

Centralised certificate management

Complies with ONVIF Security Service specifications

16.2.6 Video

Video encoder

- Communication protocol: ONVIF, Profile Q, Profile S and Profile T, ONVIF Thermal Service
- Device configuration: TCP/IPv4-IPv6, UDP/IPv4-IPv6, HTTP, HTTPS, NTP, DHCP, WSDISCOVERY, DSCP, IGMP (Multicast), SOAP, DNS
- Streaming: RTSP, RTCP, RTP/IPv4-IPv6, HTTP, Multicast
- Video compression: H.264/AVC, MJPEG, MPEG4, snapshot JPEG
- 3 independent video streams
- Image resolution: from 160x120pixel up to 720x480pixel in 5 steps
- Selectable frame rate from 1 to 30 images per second (fps)
- Web Server
- Directional OSD (maximum 4 settable areas)
- Motion Detection
- QoS: Differentiated DSCPs for streaming and device management
- SNMP and NTCIP protocols

16.2.7 I/O interface

I/O alarm board:

- Alarm inputs: 1
- Relay outputs: 1+1 (1 relay reserved for washer pump and one configurable, 1A, 30Vac/60Vdc max)

Input for remote reset: 1

16.2.8 Cameras

Please refer to the relevant table (16.4 Thermal cameras, page 35).

16.2.9 Environment

For indoors and outdoors installation

Operating temperature

- Continuous working: from -40°C (-40°F) up to +65°C (149°F)
- Temperature test complies with NEMA-TS 2-2003 (R2008) par. 2.1.5.1, test profile fig. 2-1 (from -34°C (-29.2°F) to +74°C (165.2°F))
- De-icing function intervention (cold start): from -40°C (-40°F) up to -10°C (14°F)

Relative humidity: from 5% up to 95%

16.2.10 Certifications

Electrical safety (CE): EN60950-1, IEC60950-1, EN62368-1, IEC62368-1

Electromagnetic compatibility (CE): EN61000-6-4, EN61000-3-2, EN61000-3-3, EN50130-4, EN55032 (Class A)

Outdoor installation (CE): EN60950-22, ICE60950-22

IP protection degree (EN/IEC60529): IP66, IP67, IP68, IP69

UL certification (UL60950-1, CAN/CSA C22.2 No. 60950-1-07, UL62368-1, CAN/CSA C22.2 No. 62368-1-14): cULus Listed (only for 24Vac version)

Electromagnetic compatibility (North America): FCC part 15 (Class A), ICES-003 (Class A)

Level of protection Type (UL50E): 4X (only for 24Vac version)

EAC certification

RoHS (CE): EN IEC 63000

Waste Electrical and Electronic Equipment (WEEE), Directive 2012/19/EU

16.2.11 Certifications - Marine applications

Lloyd's Register Marine Type Approval certification (the 24Vac and 120Vac versions require a filter accessory FM1010):

- Test Specification Number 1 (ENV1, ENV2, ENV3, ENV5)

Electromagnetic compatibility: EN60945

Salty fog resistance: EN60068-2-52

Tested at 70°C (158°F) for 16 hours in compliance with EN60068-2-2

16.3 NXPTZT SERIES2 (NXPTZT)

16.3.1 Mechanical

Zero backlash

Pre-wired multipolar cable (3m (9.8ft), different lengths are available on request)

Horizontal rotation: 360°, continuous rotation

Vertical rotation: from -90° up to +90°

Horizontal speed (variable): from 0.1°/s up to 100°/s

Tilt speed (variable): from 0.1°/s up to 100°/s

Accuracy of preset positions: 0.02°

Integrated wiper

Unit weight: 24kg (53lb)

16.3.2 Housing's window

Extra clear glass window

- Thick: 5mm (0.2in)

Germanium window (9mm, 13mm, 19mm, 25mm, 35mm lenses)

- Thick: 1.5mm (0.06in)
- External treatment: antiscratch (Hard Carbon Coating - DLC)
- Internal treatment: antireflection
- Spectral range: from 7.5µm up to 14µm
- Medium transmittance (from 7.5µm up to 11.5µm): 91.2%
- Medium transmittance (from 11.5µm up to 14µm): 80.9%

Germanium window (50mm lens)

- Thick: 2mm (0.08in)
- External treatment: antiscratch (Hard Carbon Coating - DLC)
- Internal treatment: antireflection
- Spectral range: from 7.5µm up to 14µm
- Medium transmittance (from 7.5µm up to 11.5µm): 90%
- Medium transmittance (from 11.5µm up to 14µm): 77%

16.3.3 Electrical

Supply voltage/Current consumption:

- 230Vac \pm 10%, 0.5A max, 50/60Hz
- 120Vac \pm 10%, 1A max, 50/60Hz
- 24Vac \pm 10%, 5A max, 50/60Hz

Power consumption:

- 120W max
- 30W, P&T static, heating switched off

16.3.4 Network

RJ45 port

- Ethernet connection: 10BASE-T/100BASE-T

Slot SFP (SMALL FORM FACTOR PLUGGABLE)

- Ethernet connection:100BASE-FX
- Supply voltage: 3.3V
- Standard: MSA compliant

The SFP module (not supplied by VIDEOTEC) must meet the following requirements:

- Laser: Class 1, complies with EN60825-1
- Certification: UL/IEC 60950-1 or UL/IEC 62368-1

16.3.5 Cybersecurity

Digitally signed firmware

Password restricted access (HTTP digest)

Support of various user access levels

Control of accesses IEEE 802.1X

HTTPS cryptography using TLS1.0, TLS1.1, TLS1.2 and TLS1.3

Centralised certificate management

Complies with ONVIF Security Service specifications

16.3.6 Video

Day/Night camera

Video encoder

- Communication protocol: ONVIF, Profile Q, Profile S and Profile T
- Device configuration: TCP/IPv4-IPv6, UDP/IPv4-IPv6, HTTP, HTTPS, NTP, DHCP, WS-DISCOVERY, DSCP, IGMP (Multicast), SOAP, DNS
- Streaming: RTSP, RTCP, RTP/IPv4-IPv6, HTTP, Multicast
- Video compression: H.264/AVC, MJPEG, MPEG4, snapshot JPEG
- 3 independent video streams Full HD
- Image resolution: from 320x180pixel up to 1920x1080pixel in 8 steps
- Selectable frame rate from 1 to 60 images per second (fps)
- Web Server
- Directional OSD (maximum 4 settable areas)
- Motion Detection
- QoS: Differentiated DSCPs for streaming and device management
- SNMP and NTCIP protocols

Thermal Camera

Video encoder

- Communication protocol: ONVIF, Profile Q, Profile S and Profile T, ONVIF Thermal Service
- Device configuration: TCP/IPv4-IPv6, UDP/IPv4-IPv6, HTTP, HTTPS, NTP, DHCP, WSDISCOVERY, DSCP, IGMP (Multicast), SOAP, DNS
- Streaming: RTSP, RTCP, RTP/IPv4-IPv6, HTTP, Multicast
- Video compression: H.264/AVC, MJPEG, MPEG4, snapshot JPEG
- 3 independent video streams
- Image resolution: from 160x120pixel up to 720x480pixel in 5 steps
- Selectable frame rate from 1 to 30 images per second (fps)
- Web Server
- Directional OSD (maximum 4 settable areas)
- Motion Detection
- QoS: Differentiated DSCPs for streaming and device management
- SNMP and NTCIP protocols

16.3.7 I/O interface

I/O alarm board:

- Alarm inputs: 1
- Relay outputs: 1+1 (1 relay reserved for washer pump and one configurable, 1A, 30Vac/60Vdc max)

Input for remote reset: 1

16.3.8 Cameras

SONY FCB-EV7520 Day/Night Full HD 30x

Resolution: Full HD 1080p (1920x1080)

Image Sensor: 1/2.8" Exmor™ R CMOS sensor

Effective Pixels: approx. 2.13 Megapixels

Minimum Illumination:

- Colour: 0.0013lx (50 IRE, High sensitivity on)
- B/W: 0.0008lx (30 IRE, High sensitivity on)

Focal length: from 4.3mm (wide) up to 129mm (tele)

Exposure compensation: Off, On (from -10.5dB up to +10.5dB)

Sharpness: from level 0 up to level 15

High Light Compensation (HLC): Off, Low, Mid, High, Masking Level (Off, On, from level 1 up to level 15)

Digital image stabilization: On/Off

Zoom:

- 30x
- 36x, with Stable Zoom enabled

Digital Zoom: 12x

Iris: from F1.6 up to F14 (Auto, Manual)

Horizontal Viewing Angle: from 63.7° (wide end) up to 2.3° (tele end)

Vertical Viewing Angle: from 38.5° (wide end) up to 1.3° (tele end)

Shutter speed: from 1/1s up to 1/10000s (Auto, Manual)

White balance: Auto, Auto Tracing, Indoor, Outdoor, Manual, Outdoor Auto, Sodium Lamp (Fix/Auto/Outdoor Auto)

Gain: from 0dB up to 50.0dB (Auto, Manual)

Wide Dynamic Range: 120dB

Focus System: Auto (PTZ Trigger, Full Auto), Manual

Picture Effects: E-flip

Noise removal (2D, 3D): Off, On (from level 1 up to level 5)

Exposure Control: Auto, Manual, Priority (Shutter priority, Iris priority, Brightness priority)

De-fog: Off, Low, Mid, High

Dynamic masking of privacy zones (PTZ): maximum 24 masks settable, maximum 8 simultaneously displayable

Privacy zones masking (cameras): maximum 8 settable masks

Indoor Flicker Reduction

Gain Limit: from 10.7dB up to 50dB

High sensitivity: On/Off

Backlight Compensation: On/Off

Auto Slowshutter: On/Off

Exposure compensation: Off, On (from -10.5dB up to +10.5dB)

Sharpness: from level 0 up to level 15

High Light Compensation (HLC): Off, Low, Mid, High, Masking Level (Off, On, from level 1 up to level 15)

Digital image stabilization: On/Off

Thermal cameras

Please refer to the relevant table (16.4 Thermal cameras, page 35).

16.3.9 Environment

For indoors and outdoors installation

Operating temperature

- Continuous working: from -40°C (-40°F) up to +65°C (149°F)
- Temperature test complies with NEMA-TS 2-2003 (R2008) par. 2.1.5.1, test profile fig. 2-1 (from -34°C (-29.2°F) to +74°C (165.2°F))
- De-icing function intervention (cold start): from -40°C (-40°F) up to -10°C (14°F)

Relative humidity: from 5% up to 95%

16.3.10 Certifications

Electrical safety (CE): EN60950-1, IEC60950-1, EN62368-1, IEC62368-1

Electromagnetic compatibility (CE): EN61000-6-4, EN61000-3-2, EN61000-3-3, EN50130-4, EN55032 (Class A)

Outdoor installation (CE): EN60950-22, ICE60950-22

IP protection degree (EN/IEC60529): IP66, IP67, IP68, IP69

UL certification (UL60950-1, CAN/CSA C22.2 No. 60950-1-07, UL62368-1, CAN/CSA C22.2 No. 62368-1-14): cULus Listed (only for 24Vac version)

Electromagnetic compatibility (North America): FCC part 15 (Class A), ICES-003 (Class A)

Level of protection Type (UL50E): 4X (only for 24Vac version)

EAC certification

Restriction of Hazardous Substances (RoHS), Directive 2011/65/EU: EN50581

Waste Electrical and Electronic Equipment (WEEE), Directive 2012/19/EU

16.3.11 Certifications - Marine applications

Lloyd's Register Marine Type Approval certification (the 24Vac and 120Vac versions require a filter accessory FM1010):

- Test Specification Number 1 (ENV1, ENV2, ENV3, ENV5)

Electromagnetic compatibility: EN60945

Salty fog resistance: EN60068-2-52

Tested at 70°C (158°F) for 16 hours in compliance with EN60068-2-2

16.4 Thermal cameras

THERMAL CAMERAS (RESOLUTION 336X256)						
Lens	9mm	13mm	19mm	25mm	35mm	50mm
VOx microbolometer sensor not cooled	√	√	√	√	√	√
Interpolated resolution	720x480	720x480	720x480	720x480	720x480	720x480
Pixel dimensions	17µm	17µm	17µm	17µm	17µm	17µm
Spectral response - long wave infrared (LWIR)	from 7.5µm to 13.5µm	from 7.5µm to 13.5µm	from 7.5µm to 13.5µm	from 7.5µm to 13.5µm	from 7.5µm to 13.5µm	from 7.5µm to 13.5µm
Internal shutter (only for sensor compensation)	Video stop <1s	Video stop <1s	Video stop <1s	Video stop <1s	Video stop <1s	Video stop <1s
Digital Detail Enhancement (DDE)	√	√	√	√	√	√
Digital Zoom	2x, 4x	2x, 4x	2x, 4x	2x, 4x	2x, 4x	2x, 4x
Image updating frequency	7.5fps	7.5fps	7.5fps	7.5fps	7.5fps	7.5fps
Image updating high frequency	30fps	30fps	30fps	30fps	30fps	30fps
Scene range (High Gain)	-40°C ÷ +160°C (-40°F ÷ +320°F)	-40°C ÷ +160°C (-40°F ÷ +320°F)	-40°C ÷ +160°C (-40°F ÷ +320°F)	-40°C ÷ +160°C (-40°F ÷ +320°F)	-40°C ÷ +160°C (-40°F ÷ +320°F)	-40°C ÷ +160°C (-40°F ÷ +320°F)
Scene range (Low Gain)	-40°C ÷ +550°C (-40°F ÷ +1022°F)	-40°C ÷ +550°C (-40°F ÷ +1022°F)	-40°C ÷ +550°C (-40°F ÷ +1022°F)	-40°C ÷ +550°C (-40°F ÷ +1022°F)	-40°C ÷ +550°C (-40°F ÷ +1022°F)	-40°C ÷ +550°C (-40°F ÷ +1022°F)
Horizontal field of view (HFOV)	35°	25°	17°	13°	9.3°	6.5°
Vertical field of view (VFOV)	27°	19°	13°	10°	7.1°	5°
f-number	f/1.25	f/1.25	f/1.25	f/1.1	f/1.2	f/1.2
Thermal sensitivity (NETD), thermal camera with radiometric functions	<50mK at f/1.0	<50mK at f/1.0	<50mK at f/1.0	<50mK at f/1.0	<50mK at f/1.0	<50mK at f/1.0
Thermal sensitivity (NETD), thermal camera with advanced radiometric functions	<30mK at f/1.0	<30mK at f/1.0	<30mK at f/1.0	<30mK at f/1.0	<30mK at f/1.0	<30mK at f/1.0
Person (detection / recognition / identification)	285m / 71m / 36m (935ft / 233ft / 118ft)	440m / 112m / 56m (1443ft / 2368ft / 183ft)	640m / 160m / 80m (2099ft / 524ft / 262ft)	930m / 230m / 116m (3051ft / 754ft / 380ft)	1280m / 320m / 160m (4199ft / 1050ft / 525ft)	1700m / 430m / 215m (5577ft / 1410ft / 715ft)
Car (detection / recognition / identification)	880m / 220m / 108m (2887ft / 722ft / 354ft)	1340m / 340m / 170m (4396ft / 1115ft / 557ft)	1950m / 500m / 250m (6397ft / 1640ft / 820ft)	2800m / 710m / 360m (9186ft / 2329ft / 1181ft)	3850m / 950m / 295m (12631ft / 3116ft / 967ft)	5100m / 1320m / 660m (16732ft / 4330ft / 2165ft)

Radiometric analysis does not affect camera performance.

THERMAL CAMERAS (RESOLUTION 640X512)						
Lens	9mm	13mm	19mm	25mm	35mm	50mm
VOx microbolometer sensor not cooled	√	√	√	√	√	√
Interpolated resolution	720x480	720x480	720x480	720x480	720x480	720x480
Pixel dimensions	17μm	17μm	17μm	17μm	17μm	17μm
Spectral response - long wave infrared (LWIR)	from 7.5μm to 13.5μm	from 7.5μm to 13.5μm	from 7.5μm to 13.5μm	from 7.5μm to 13.5μm	from 7.5μm to 13.5μm	from 7.5μm to 13.5μm
Internal shutter (only for sensor compensation)	Video stop <1s	Video stop <1s	Video stop <1s	Video stop <1s	Video stop <1s	Video stop <1s
Digital Detail Enhancement (DDE)	√	√	√	√	√	√
Digital Zoom	2x, 4x, 8x	2x, 4x, 8x	2x, 4x, 8x	2x, 4x, 8x	2x, 4x, 8x	2x, 4x, 8x
Image updating frequency	7.5fps	7.5fps	7.5fps	7.5fps	7.5fps	7.5fps
Image updating high frequency	30fps	30fps	30fps	30fps	30fps	30fps
Scene range (High Gain)	-40°C ÷ +160°C (-40°F ÷ +320°F)	-40°C ÷ +160°C (-40°F ÷ +320°F)	-40°C ÷ +160°C (-40°F ÷ +320°F)	-40°C ÷ +160°C (-40°F ÷ +320°F)	-40°C ÷ +160°C (-40°F ÷ +320°F)	-40°C ÷ +160°C (-40°F ÷ +320°F)
Scene range (Low Gain)	-40°C ÷ +550°C (-40°F ÷ +1022°F)	-40°C ÷ +550°C (-40°F ÷ +1022°F)	-40°C ÷ +550°C (-40°F ÷ +1022°F)	-40°C ÷ +550°C (-40°F ÷ +1022°F)	-40°C ÷ +550°C (-40°F ÷ +1022°F)	-40°C ÷ +550°C (-40°F ÷ +1022°F)
Horizontal field of view (HFOV)	69°	45°	32°	25°	18°	12.4°
Vertical field of view (VFOV)	56°	37°	26°	20°	14°	9.9°
f-number	f/1.4	f/1.25	f/1.25	f/1.1	f/1.2	f/1.2
Thermal sensitivity (NETD), thermal camera with radiometric functions	<50mK at f/1.0	<50mK at f/1.0	<50mK at f/1.0	<50mK at f/1.0	<50mK at f/1.0	<50mK at f/1.0
Thermal sensitivity (NETD), thermal camera with advanced radiometric functions	<30mK at f/1.0	<30mK at f/1.0	<30mK at f/1.0	<30mK at f/1.0	<30mK at f/1.0	<30mK at f/1.0
Person (detection / recognition / identification)	250m / 63m / 31m (820ft / 207ft / 102ft)	390m / 95m / 47m (1280ft / 312ft / 154ft)	570m / 144m / 72m (1870 / 472 / 236ft)	820m / 210m / 104m (2690ft / 689ft / 341ft)	1140m / 280m / 142m (3740ft / 919ft / 466ft)	1500m / 380m / 190m (4921ft / 1247ft / 623ft)
Car (detection / recognition / identification)	720m / 175m / 88m (2362 / 574 / 289ft)	1080m / 275m / 140m (3543ft / 902ft / 459ft)	1550m / 400m / 200m (5085ft / 1312ft / 656ft)	2200m / 580m / 290m (7218ft / 1903ft / 951ft)	3000m / 800m / 200m (9843ft / 2625ft / 656ft)	3900m / 1060m / 540m (12795ft / 3478ft / 1772)

Radiometric analysis does not affect camera performance.

17 Technical drawings



The indicated measurements are expressed in millimetres.

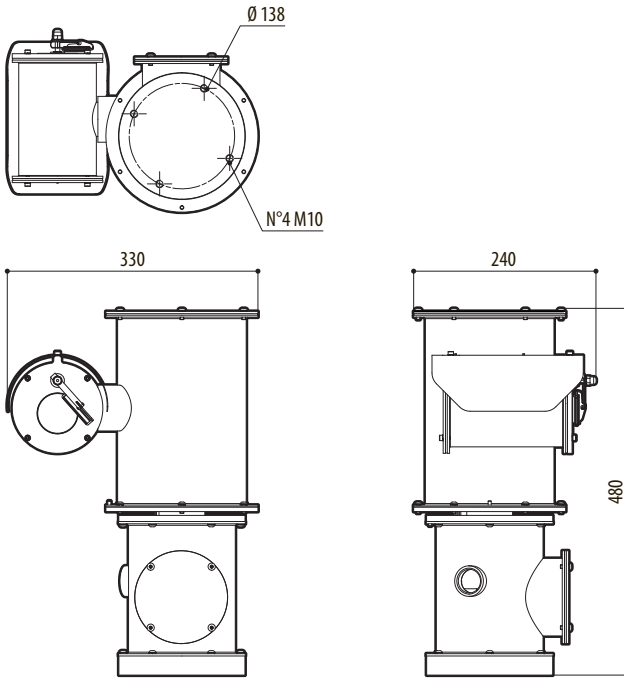


Fig. 24 NXPTZ SERIES2 (NXPTZHD).

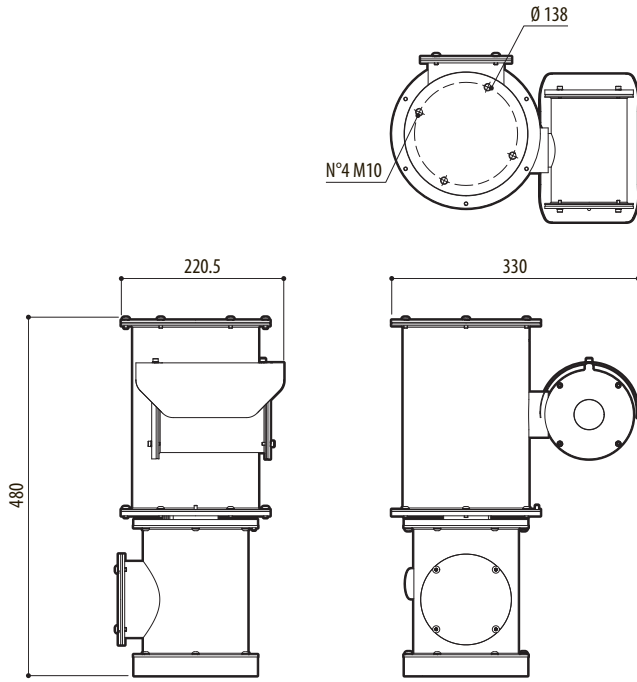


Fig. 25 NXPTZR SERIES2 (NXPTZR).

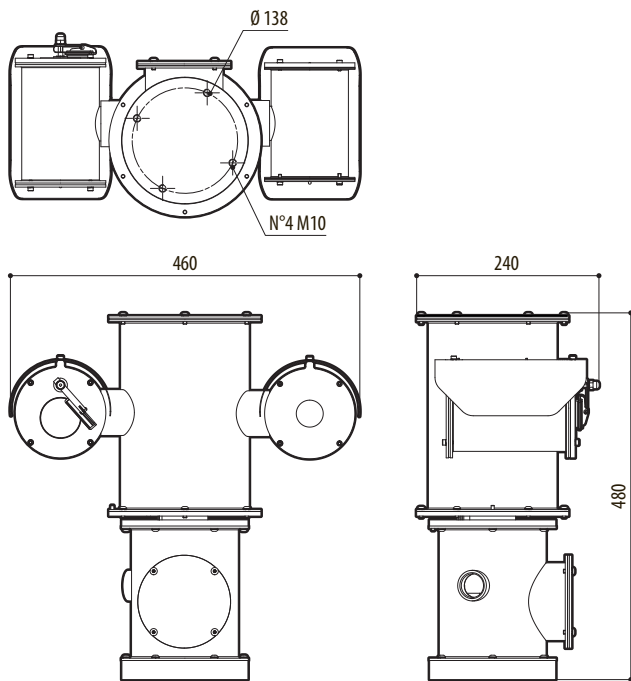


Fig. 26 NXPTZT SERIES2 (NXPTZT).



Headquarters Italy VIDEOTEC s.r.l.
Via Friuli, 6 - I-36015 Schio (VI) - Italy
Tel. +39 0445 697411 - Fax +39 0445 697414
Email: info@videotec.com
www.videotec.com

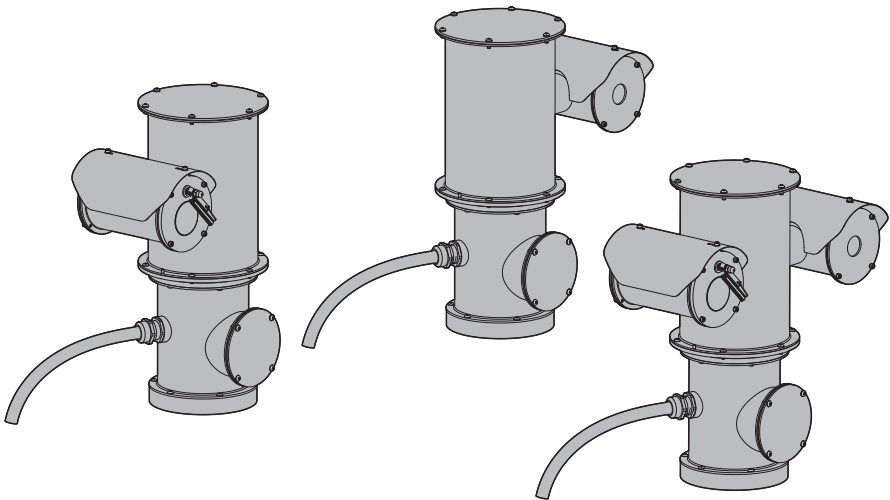
MNVCNXPZ2_2222_EN

NXPTZ SERIES2 (NXPTZHD)

NXPTZR SERIES2 (NXPTZR)

NXPTZT SERIES2 (NXPTZT)

Telecamera PTZ single o dual vision per applicazioni onshore/offshore marittime e industriali



Sommario

1 Informazioni sul presente manuale.....	7
1.1 Convenzioni tipografiche	7
2 Note sul copyright e informazioni sui marchi commerciali	7
3 Norme di sicurezza	7
4 Identificazione.....	10
4.1 Descrizione e designazione del prodotto.....	10
4.2 Marcatura del prodotto.....	10
4.2.1 Controllo della marcatura.....	10
5 Versioni	11
5.1 Telecamera Day/Night.....	11
5.2 Telecamera termica radiometrica.....	11
5.3 Dual Vision con telecamera Day/Night e telecamera termica radiometrica	11
5.4 Identificazione del modello	12
6 Preparazione del prodotto per l'utilizzo.....	14
6.1 Precauzioni di sicurezza prima dell'utilizzo.....	14
6.2 Disimballaggio.....	14
6.3 Contenuto.....	14
6.4 Smaltimento in sicurezza dei materiali di imballaggio.....	14
6.5 Lavoro preparatorio prima dell'installazione.....	15
6.5.1 Fissaggio a parapetto o a soffitto	15
6.5.2 Fissaggio con supporto da parete.....	16
6.5.3 Fissaggio con imbracatura da palo o modulo adattatore angolare	16
6.5.3.1 Fissaggio con imbracatura da palo	16
6.5.3.2 Fissaggio con modulo angolare.....	17
6.5.4 Fissaggio del tettuccio.....	17
7 Installazione	18
7.1 Campo di utilizzo	18
7.2 Metodi di installazione.....	18
7.3 Collegamento della linea di alimentazione.....	19
7.4 Collegamento del cavo Ethernet.....	19
7.5 Collegamento degli allarmi e dei relè.....	20
7.5.1 Collegamento dell'allarme con contatto pulito.....	20
7.5.2 Collegamento del relè	20
7.5.3 Collegamento dell'impianto di lavaggio.....	20
8 Accensione	21
8.1 Prima accensione.....	21
9 Configurazione	21
9.1 Indirizzo IP di default	21
9.2 Interfaccia web.....	21
9.2.1 Primo accesso alle pagine web	21
10 Accessori e supporti	22

10.1	Impianto di lavaggio	22
10.2	Supporto per montaggio a parapetto o soffitto	22
10.3	Supporto da parete.....	22
10.4	Adattatore angolare	23
10.5	Collare da palo.....	23
10.6	Adattatore per il collegamento della fibra ottica	23
11	Istruzioni di funzionamento ordinario	24
12	Manutenzione.....	24
12.1	Manutenzione ordinaria	24
12.1.1	Controllo dei cavi.....	24
12.2	Manutenzione straordinaria	25
12.2.1	Sostituzione dei fusibili.....	25
12.2.2	Factory Default	25
13	Pulizia	26
13.1	Pulizia della finestra.....	26
13.2	Pulizia del prodotto	26
14	Informazioni sullo smaltimento e il riciclo.....	26
15	Risoluzione dei problemi.....	26
16	Dati tecnici	27
16.1	NXPTZ SERIES2 (NXPTZHD)	27
16.1.1	Meccanica.....	27
16.1.2	Finestre per custodia	27
16.1.3	Elettrico.....	27
16.1.4	Rete.....	27
16.1.5	Cybersecurity	27
16.1.6	Video	27
16.1.7	Interfaccia I/O.....	27
16.1.8	Telecamere.....	28
16.1.9	Ambiente	29
16.1.10	Certificazioni	29
16.1.11	Certificazioni - Applicazioni marine	29
16.2	NXPTZR SERIES2 (NXPTZR)	29
16.2.1	Meccanica.....	29
16.2.2	Finestre per custodia.....	29
16.2.3	Elettrico	30
16.2.4	Rete.....	30
16.2.5	Cybersecurity	30
16.2.6	Video.....	30
16.2.7	Interfaccia I/O.....	30
16.2.8	Telecamere.....	31
16.2.9	Ambiente	31
16.2.10	Certificazioni.....	31
16.2.11	Certificazioni - Applicazioni marine.....	31
16.3	NXPTZT SERIES2 (NXPTZT)	31
16.3.1	Meccanica	31
16.3.2	Finestre per custodia.....	31

16.3.3 Elettrico	32
16.3.4 Rete	32
16.3.5 Cybersecurity	32
16.3.6 Video.....	32
16.3.7 Interfaccia I/O.....	33
16.3.8 Telecamere	33
16.3.9 Ambiente	34
16.3.10 Certificazioni.....	34
16.3.11 Certificazioni - Applicazioni marine.....	34
16.4 Telecamere termiche	35
17 Disegni tecnici	37

1 Informazioni sul presente manuale

Prima di installare e utilizzare questo prodotto leggere attentamente tutta la documentazione fornita. Tenere il manuale a portata di mano per consultazioni successive.

1.1 Convenzioni tipografiche



PERICOLO!

Pericolosità elevata.

Rischio di scosse elettriche. Prima di eseguire qualsiasi operazione assicurarsi di togliere tensione al prodotto, salvo diversa indicazione.



PERICOLO!

Pericolo di natura meccanica.

Rischio di schiacciamento o cesoimento.



ATTENZIONE!

Pericolosità media.

L'operazione è molto importante per il corretto funzionamento del sistema. Si prega di leggere attentamente la procedura indicata e di eseguirla secondo le modalità previste.



INFO

Descrizione delle caratteristiche del sistema.

Si consiglia di leggere attentamente per comprendere le fasi successive.

2 Note sul copyright e informazioni sui marchi commerciali

I nomi di prodotto o di aziende citati sono marchi commerciali o marchi commerciali registrati appartenenti alle rispettive società.

ONVIF® è un marchio di proprietà di Onvif, Inc.

3 Norme di sicurezza



ATTENZIONE! L'impianto elettrico al quale è collegata l'unità deve essere dotato di un interruttore di protezione bipolare automatico da 20A max. La distanza minima tra i contatti dell'interruttore di protezione deve essere di 3mm. L'interruttore deve essere provvisto di protezione contro la corrente di guasto verso terra (differenziale) e la sovracorrente (magnetotermico).



L'impianto elettrico deve essere dotato di un sezionatore di rete prontamente riconoscibile e utilizzabile in caso di necessità.



ATTENZIONE! Parti mobili pericolose. Non avvicinare dita e altre parti del corpo.



ATTENZIONE! L'installazione e la manutenzione del dispositivo devono essere eseguite solo da personale tecnico specializzato.



ATTENZIONE! L'installazione è di tipo TNV-1. Non collegare a circuiti SELV.



È possibile trasportare il dispositivo solo prestando la massima attenzione. Fermate brusche, dislivelli e impatti violenti possono causare danneggiamenti all'oggetto o ferite per l'utente.

- Il produttore declina ogni responsabilità per eventuali danni derivanti da un uso improprio delle apparecchiature menzionate in questo manuale. Si riserva inoltre il diritto di modificarne il contenuto senza preavviso. Ogni cura è stata posta nella raccolta e nella verifica della documentazione contenuta in questo manuale. Il produttore, tuttavia, non può assumersi alcuna responsabilità derivante dall'utilizzo della stessa. Lo stesso dicasi per ogni persona o società coinvolta nella creazione e nella produzione di questo manuale.

- Prima di eseguire qualsiasi operazione assicurarsi di togliere tensione al prodotto.
- Non utilizzare cavi con segni di usura o invecchiamento.
- Non effettuare per nessun motivo alterazioni o collegamenti non previsti in questo manuale. L'uso di apparecchi non idonei può portare a gravi pericoli per la sicurezza del personale e dell'impianto.
- Utilizzare solo parti di ricambio originali. Pezzi di ricambio non originali potrebbero causare incendi, scariche elettriche o altri pericoli.
- Prima di procedere con l'installazione, controllare che il materiale fornito corrisponda alle specifiche richieste esaminando le etichette di marcatura (4.2 Marcatura del prodotto, pagina 10).
- Questo dispositivo è stato progettato per essere fissato e collegato in maniera permanente su un edificio o su una struttura adeguata. Il dispositivo deve essere fissato e collegato in maniera permanente prima di effettuare qualsiasi operazione.
- L'impianto elettrico deve essere dotato di un sezionatore di rete prontamente riconoscibile e utilizzabile in caso di necessità.
- Questo è un prodotto di Classe A. In un ambiente residenziale questo prodotto può provocare radiodisturbi. In questo caso può essere richiesto all'utilizzatore di prendere misure adeguate.
- Per i prodotti marcati UL alimentati a 24Vac, utilizzare un trasformatore isolato UL listed TNV/ES1, conforme alle normative IEC/UL 60950-1 e IEC/UL 62368-1.
- La categoria di installazione (detta anche categoria di sovratensione) specifica i livelli della tensione transitoria di rete alla quale l'apparato è soggetto. La categoria dipende dal luogo di installazione e dalla presenza di dispositivi di protezione contro le sovratensioni. Un dispositivo per ambienti industriali, connesso ai rami principali dell'impianto di alimentazione è soggetto alla categoria di installazione III. Se questo è il caso, è richiesta una riduzione alla categoria II. Ciò può essere ottenuto utilizzando un trasformatore di isolamento con schermatura connessa a terra tra il primario ed il secondario, o tramite l'impiego di dispositivi di protezione contro le sovratensioni (SPD), UL listed, connessi tra la fase ed il neutro e tra il neutro e terra. I dispositivi SPD UL listed, dovranno essere predisposti per limitare sovratensioni transitorie in modo ripetitivo e per le seguenti condizioni nominali di funzionamento: Tipo 2 (Dispositivi SPD connessi permanentemente alla rete di alimentazione, per installazioni dal lato del carico del dispositivo di servizio); Corrente nominale di scarica (In) 20kA minimi. Si possono utilizzare ad esempio: FERRAZ SHAWMUT, ST23401PG-CN, ST240SPG-CN specificati per 120Vac/240Vac, (In=20kA). La distanza massima tra l'installazione e la riduzione è di 5m.

- L'apparecchio è destinato all'installazione in un'Area ad Accesso Limitato effettuata da personale tecnico specializzato.
- Per essere conforme ai requisiti della normativa sugli abbassamenti e le brevi interruzioni della tensione di alimentazione, utilizzare un adeguato gruppo di continuità (UPS) per alimentare l'unità.
- Il collegamento alla terra di sicurezza va eseguito secondo le disposizioni di installazione locali.
- Il terminale di terra disponibile nel prodotto deve essere collegato permanentemente alla terra.
- Per assicurare la protezione contro il rischio di incendio, sostituire i fusibili con lo stesso tipo e valore. I fusibili devono essere sostituiti solo da personale qualificato.
- Collegare il dispositivo ad una sorgente d'alimentazione corrispondente a quella indicata nell'etichetta di marcatura. Prima di procedere con l'installazione verificare che la linea elettrica sia opportunamente sezionata. La tensione di alimentazione non deve eccedere i limiti ($\pm 10\%$).
- L'apparecchiatura comprende parti mobili. Assicurarsi che l'unità venga posizionata in un'area non accessibile durante le normali condizioni di funzionamento. Applicare l'apposita etichetta fornita assieme all'apparecchio nelle sue vicinanze ed in modo ben visibile.
- Applicare l'etichetta Parti Mobili Pericolose vicino all'unità (Fig. 5, pagina 14).
- Non utilizzare l'apparecchio in presenza di sostanze infiammabili.
- La manutenzione del dispositivo deve essere eseguita solo da personale qualificato. Durante le operazioni di manutenzione l'operatore è esposto al rischio di folgorazione o ad altri pericoli.
- Utilizzare solo gli accessori indicati dal costruttore. Qualsiasi intervento non espressamente approvato dal costruttore fa decadere la garanzia.
- Prima di collegare tutti i cavi di segnale verificare che l'unità sia opportunamente collegata al circuito di terra.
- Se il dispositivo deve essere rimosso dall'impianto, scollegare sempre per ultimo il cavo di terra.
- Adottare le dovute precauzioni per evitare di danneggiare l'apparecchiatura con scariche elettrostatiche.
- Maneggiare con cura l'unità, forti sollecitazioni meccaniche potrebbero danneggiarla.
- Porre particolare attenzione alle distanze di isolamento tra la linea di alimentazione e tutti gli altri cavi compresi i dispositivi di protezione contro i fulmini.

4 Identificazione

4.1 Descrizione e designazione del prodotto

Telecamera PTZ single o dual vision per applicazioni onshore/offshore marittime e industriali.

NXPTZ SERIES2 offre alta resistenza alla corrosione e non richiede manutenzione, grazie alla massima precisione adottata nei processi costruttivi e alla solida costruzione in acciaio inox AISI 316L con superfici micropallinate ed elettrolucidate.

4.2 Marcatura del prodotto



Sul prodotto è applicata una etichetta conforme alla marcatura CE.

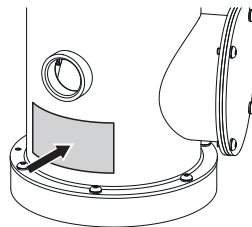


Fig. 1

L'etichetta riporta:

- Codice di identificazione del modello.
- Tensione di alimentazione (Volt).
- Frequenza (Hertz).
- Corrente assorbita (Ampere).
- Grado di protezione (IP).
- Numero di serie.

4.2.1 Controllo della marcatura

Prima di procedere con l'installazione controllare che il materiale fornito corrisponda alle specifiche richieste, esaminando le etichette di marcatura.

Non effettuare per nessun motivo alterazioni o collegamenti non previsti in questo manuale. L'uso di apparecchi non idonei può portare a gravi pericoli per la sicurezza del personale e dell'impianto.

Per maggiori informazioni sulle versioni e la codifica del prodotto fare riferimento al relativo capitolo (5 Versioni, pagina 11).

5 Versioni

5.1 Telecamera Day/Night

La versione del prodotto con telecamera Day/Night è dotata di una telecamera SONY o di una telecamera con tecnologia Delux.

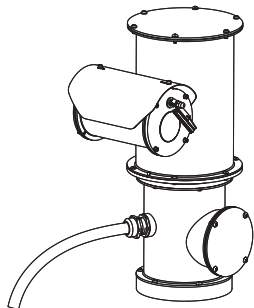


Fig. 2 NXPTZ SERIES2 (NXPTZHD).

5.2 Telecamera termica radiometrica

La versione del prodotto con telecamera termica radiometrica è dotata di telecamera sensibile al calore con funzioni radiometriche o radiometriche avanzate.

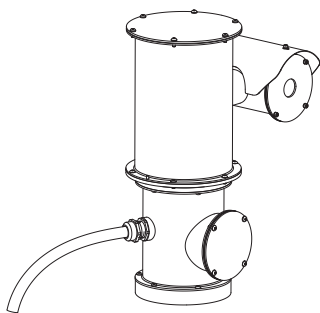


Fig. 3 NXPTZR SERIES2 (NXPTZR).

5.3 Dual Vision con telecamera Day/Night e telecamera termica radiometrica

La versione del prodotto dual vision è dotata di una telecamera Day/Night SONY e di una telecamera termica con funzioni radiometriche o radiometriche avanzate.

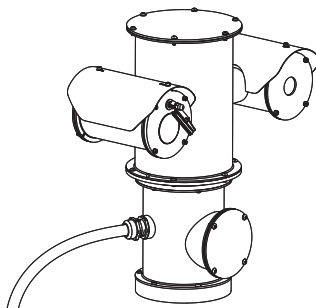


Fig. 4 NXPTZT SERIES2 (NXPTZT).

5.4 Identificazione del modello

NXPTZ SERIES2 - OPZIONI DI CONFIGURAZIONE									
	Vtaggio		Telecamera			Opzioni	Revisione		
NXPTZHD	1	230Vac	1	Telecamera Videotec super low-light Day/Night 30X zoom, FullHD	VW0Z0	0	Senza funzioni di video analisi integrate (senza VIDEOTEC ANALYTICS)	C	Conforme ONVIF, Profilo Q, Profilo S e Profilo T
	2	24Vac	2	Telecamera SONY FCB-EV7520, FULL HD 1080p, 30x		V	Con funzioni di video analisi integrate (VIDEOTEC ANALYTICS)	J	Conforme ONVIF, Profilo S e Profilo T
	3	120Vac							

Tab. 1 NXPTZ SERIES2 (NXPTZHD).

NXPTZR SERIES2 - OPZIONI DI CONFIGURAZIONE											
	Vtaggio		Telecamera Termica		Opzioni		Revisione	Frequenza			
NXPTZR	1	230Vac	Y	6.5° HFOV, Telecamera termica 50mm, 336x256	0	Telecamera termica con funzioni radiometriche	0Z00	C	Conforme ONVIF, Profilo Q, Profilo S e Profilo T	-	7.5Hz
	2	24Vac	A	9.3° HFOV, Telecamera termica 35mm, 336x256	R	Telecamera termica con funzioni radiometriche avanzate		J	Conforme ONVIF, Profilo S e Profilo T	H	30Hz
	3	120Vac	B	13° HFOV, Telecamera termica 25mm, 336x256							
			V	17° HFOV, Telecamera termica 19mm, 336x256							
			F	25° HFOV, Telecamera termica 13mm, 336x256							
			C	35° HFOV, Telecamera termica 9mm, 336x256							
			W	12.4° HFOV, Telecamera termica 50mm, 640x512							
			D	18° HFOV, Telecamera termica 35mm, 640x512							
			E	25° HFOV, Telecamera termica 25mm, 640x512							
			U	32° HFOV, Telecamera termica 19mm, 640x512							
			G	45° HFOV, Telecamera termica 13mm, 640x512							
			H	69° HFOV, Telecamera termica 9mm, 640x512							

Tab. 2 NXPTZR SERIES2 (NXPTZR).

NXPTZT SERIES2 - OPZIONI DI CONFIGURAZIONE									
	Voltaggio		Telecamera Day/Night	Telecamera termica	Opzioni		Revisione		Frequenza
NXPTZT	1	230Vac	2 Telecamera SONY FCB-EV7520, FULL HD 1080p, 30x	Y 6.5° HFOV, Telecamera termica 50mm, 336x256	W Telecamera termica con funzioni radiometriche	OZ00	C Conforme ONWIF, Profilo Q, Profilo S e Profilo T	-	7.5Hz
	2	24Vac		A 9.3° HFOV, Telecamera termica 35mm, 336x256	R Telecamera termica con funzioni radiometriche avanzate		J Conforme ONWIF, Profilo S e Profilo T	H	30Hz
	3	120Vac		B 13° HFOV, Telecamera termica 25mm, 336x256					
				V 17° HFOV, Telecamera termica 19mm, 336x256					
				F 25° HFOV, Telecamera termica 13mm, 336x256					
				C 35° HFOV, Telecamera termica 9mm, 336x256					
				W 12.4° HFOV, Telecamera termica 50mm, 640x512					
				D 18° HFOV, Telecamera termica 35mm, 640x512					
				E 25° HFOV, Telecamera termica 25mm, 640x512					
				U 32° HFOV, Telecamera termica 19mm, 640x512					
				G 45° HFOV, Telecamera termica 13mm, 640x512					
				H 69° HFOV, Telecamera termica 9mm, 640x512					

Tab. 3 NXPTZT SERIES2 (NXPTZT).

6 Preparazione del prodotto per l'utilizzo



Qualsiasi intervento non espressamente approvato dal costruttore fa decadere la garanzia.

6.1 Precauzioni di sicurezza prima dell'utilizzo



L'apparecchiatura comprende parti mobili. Assicurarsi che l'unità venga posizionata in un'area non accessibile durante le normali condizioni di funzionamento. Applicare l'apposita etichetta fornita assieme all'apparecchio nelle sue vicinanze ed in modo ben visibile.



Fig. 5

6.2 Disimballaggio

Alla consegna del prodotto verificare che l'imballo sia integro e non presenti segni evidenti di cadute o abrasioni.

In caso di danni evidenti all'imballo contattare immediatamente il fornitore.

In caso di restituzione del prodotto malfunzionante è consigliato l'utilizzo dell'imballo originale per il trasporto.

Conservare l'imballo qualora fosse necessario inviare il prodotto in riparazione.

6.3 Contenuto

Controllare che il contenuto sia corrispondente alla lista del materiale sotto elencato:

- Unità di posizionamento
- Tettuccio (2 tettucci nella versione con doppia telecamera)
- Viteria
- Kit impianto di lavaggio
- Etichetta (ATTENZIONE: Parti mobili pericolose)
- Chiave esagonale
- Manuale di istruzioni

6.4 Smaltimento in sicurezza dei materiali di imballaggio

I materiali d'imballo sono costituiti interamente da materiale riciclabile. Sarà cura del tecnico installatore smaltirli secondo le modalità di raccolta differenziata o comunque secondo le norme vigenti nel Paese di utilizzo.

6.5 Lavoro preparatorio prima dell'installazione

⚠ **ATTENZIONE!** L'installazione e la manutenzione del dispositivo devono essere eseguite solo da personale tecnico specializzato.

⚠ **Eseguire l'installazione utilizzando utensili adeguati. Il luogo in cui il dispositivo viene installato può tuttavia rendere necessario l'utilizzo di utensili specifici.**

⚠ **Scegliere una superficie di installazione sufficientemente resistente e adatta a sostenere il peso dell'apparecchio, tenendo conto di condizioni ambientali particolari come l'esposizione a venti forti.**

⚠ **Installare l'apparecchio in modo da evitare incidenti causati dal contatto con parti in movimento, facendo sì che queste non urtino contro altri oggetti creando situazioni pericolose.**

⚠ **Prima di fornire alimentazione assicurarsi che l'apparecchio sia saldamente ancorato.**

⚠ **Per l'assistenza tecnica rivolgersi esclusivamente a personale tecnico autorizzato.**

i **Poiché la responsabilità della scelta della superficie di ancoraggio dell'unità ricade sull'utente, il produttore non fornisce in dotazione i dispositivi di fissaggio per l'ancoraggio dell'unità alla superficie. L'installatore è pertanto responsabile della scelta di dispositivi idonei alla superficie a sua disposizione.**

L'unità può essere installata con differenti staffe e supporti.

Si raccomanda di utilizzare esclusivamente staffe e accessori approvati per l'installazione.

6.5.1 Fissaggio a parapetto o a soffitto

i **Nel caso di montaggio a soffitto è necessario attivare, attraverso l'interfaccia web, la modalità di Montaggio a Soffitto (manuale Interfaccia Web, Pagina Parametri Movimento).**

Fissare l'adattatore (01) al fondo dell'unità utilizzando le 4 viti a testa svasata piana (02) con esagono incassato M10x20mm in acciaio inox (A4 classe 70) fornite in dotazione.

Assicurarsi che le filettature siano prive di sporcizia e residui.

Applicare una buona quantità di frenaflessi (Loctite 270) sui 4 fori filettati presenti sul fondo della base dell'apparecchio.

⚠ **Prestare attenzione durante il fissaggio. Coppia di serraggio: 35Nm.**

Lasciare agire il frenaflessi per un'ora prima di ultimare l'installazione.

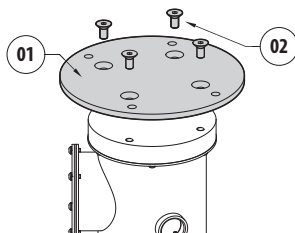


Fig. 6

Fissare l'unità assemblata al parapetto o al soffitto servendosi dei fori esterni dell'adattatore. Utilizzare viti che possono sostenere un peso almeno 4 volte superiore a quello dell'unità.

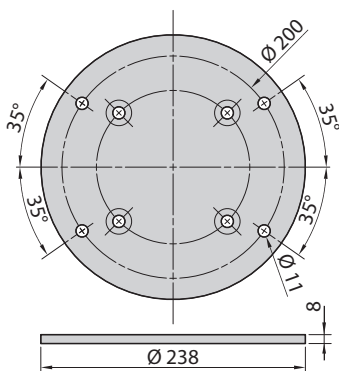


Fig. 7

6.5.2 Fissaggio con supporto da parete

Il supporto può essere fissato direttamente ad un muro verticale. Utilizzare viti e dispositivi di fissaggio a muro che possono sostenere un peso almeno 4 volte superiore a quello dell'unità.

Per fissare il dispositivo alla staffa, utilizzare 4 rondelle piane, 4 rondelle dentellate in acciaio inox e 4 viti a testa esagonale in acciaio inox (A4 classe 70) da M10x20mm fornite in dotazione.

Assicurarsi che le filettature siano prive di sporcizia e residui.

Applicare una buona quantità di frenafletti (Loctite 270) sulle 4 viti.

Serrare le viti.

**⚠ Prestare attenzione durante il fissaggio.
Coppia di serraggio: 35Nm.**

Lasciare agire il frenafletti per un'ora prima di ultimare l'installazione.

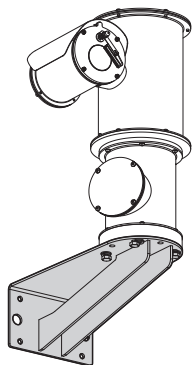


Fig. 8

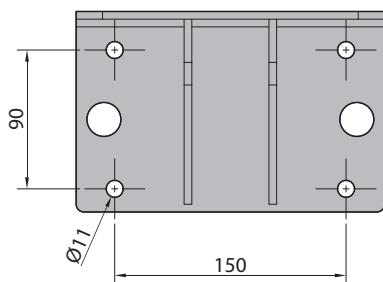


Fig. 9

6.5.3 Fissaggio con imbracatura da palo o modulo adattatore angolare

Per installare il prodotto su imbracatura da palo o in corrispondenza di un angolo prima di tutto fissare l'unità al supporto a muro (6.5.2 Fissaggio con supporto da parete, pagina 16).

6.5.3.1 Fissaggio con imbracatura da palo

Per fissare la staffa di supporto a muro all'imbracatura da palo, utilizzare 4 rondelle piane, 4 rondelle grower in acciaio inox e 4 viti a testa esagonale in acciaio inox (A4 classe 70) da M10x30mm fornite in dotazione.

Assicurarsi che le filettature siano prive di sporcizia e residui.

Applicare una buona quantità di frenafletti (Loctite 270) sui 4 fori filettati presenti sull'imbracatura da palo.

Serrare le viti.

**⚠ Prestare attenzione durante il fissaggio.
Coppia di serraggio: 35Nm.**

Lasciare agire il frenafletti per un'ora prima di ultimare l'installazione.

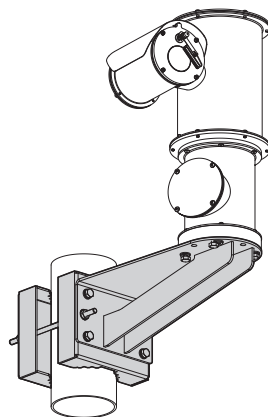


Fig. 10

6.5.3.2 Fissaggio con modulo angolare

Per fissare la staffa di supporto a muro al modulo adattatore angolare, utilizzare 4 rondelle piane, 4 rondelle grower in acciaio inox e 4 viti a testa esagonale in acciaio inox (A4 classe 70) da M10x30mm fornite in dotazione.

Assicurarsi che le filettature siano prive di sporcizia e residui.

Applicare una buona quantità di frenafiletti (Loctite 270) sui 4 fori filettati presenti sul modulo angolare.

Serrare le viti.

**⚠ Prestare attenzione durante il fissaggio.
Coppia di serraggio: 35Nm.**

Lasciare agire il frenafiletti per un'ora prima di ultimare l'installazione.

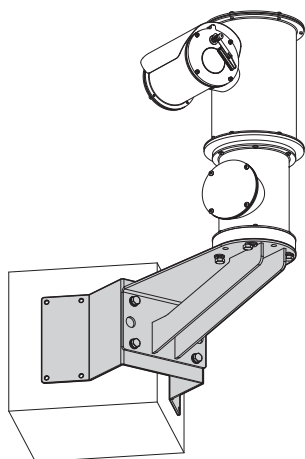


Fig. 11

6.5.4 Fissaggio del tettuccio

È possibile fissare il tettuccio alla custodia utilizzando la viteria fornita in dotazione.

Applicare una buona quantità di frenafiletti (Loctite 270) sui fori filettati.

**⚠ Prestare attenzione durante il fissaggio.
Coppia di serraggio: 2Nm.**

Lasciare agire il frenafiletti per un'ora prima di ultimare l'installazione.

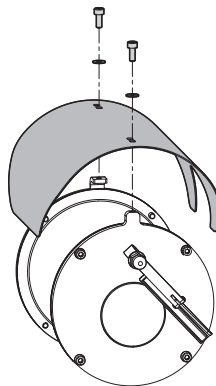


Fig. 12

7 Installazione



ATTENZIONE! L'installazione e la manutenzione del dispositivo devono essere eseguite solo da personale tecnico specializzato.



Prima di eseguire qualsiasi operazione assicurarsi di togliere tensione al prodotto.



All'avvio il sistema esegue una serie di movimenti di calibrazione automatici: non sostare nei pressi dell'apparecchio quando viene acceso.



VIDEOTECH raccomanda di testare la configurazione e le prestazioni dell'apparecchio prima di collocarlo nel sito di installazione definitivo.



Il prodotto è provvisto di un cavo multipolare che permette di effettuare i collegamenti.

7.1 Campo di utilizzo

Temperatura di installazione: da -40°C (-40°F) fino a $+65^{\circ}\text{C}$ (149°F).

Temperatura di esercizio: da -40°C (-40°F) fino a $+65^{\circ}\text{C}$ (149°F).

7.2 Metodi di installazione

L'unità può essere installata solamente in posizione standard o capovolta (montaggio a soffitto). Se installata in quest'ultima posizione, la riconfigurazione delle funzioni di orientamento e controllo della telecamera avviene mediante il software di sistema.

Il funzionamento in posizione capovolta non richiede alcuna modifica dell'hardware.

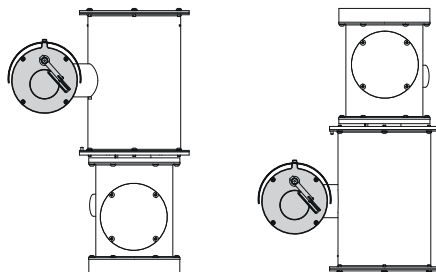


Fig. 13

7.3 Collegamento della linea di alimentazione

⚡ Eseguire le connessioni elettriche in assenza di alimentazione e con dispositivo di sezionamento aperto.

⚡ All'atto dell'installazione controllare che le caratteristiche di alimentazione fornite dall'impianto corrispondano a quelle richieste dal dispositivo.

⚠ Verificare che la sorgente e il cavo di alimentazione siano adeguatamente dimensionati.

A seconda della versione, al dispositivo possono essere fornite diverse tensioni di alimentazione. Il valore di tensione di alimentazione è riportato nell'etichetta identificativa del prodotto (4.2 Marcatura del prodotto, pagina 10).

Nel cavo multipolare sono presenti i cavi di alimentazione e di messa a terra.

Effettuare i collegamenti secondo quanto descritto nella tabella.

COLLEGAMENTO DELLA LINEA DI ALIMENTAZIONE	
Colore del cavo	Descrizione
Alimentazione 24Vac	
Nero 2	(N) Neutro
Nero 1	(L) Fase
Giallo/Verde	Terra di sicurezza
Alimentazione 230Vac	
Nero 2	(N) Neutro
Nero 1	(L) Fase
Giallo/Verde	Terra di sicurezza
Alimentazione 120Vac	
Nero 2	(N) Neutro
Nero 1	(L) Fase
Giallo/Verde	Terra di sicurezza

Tab. 4

7.4 Collegamento del cavo Ethernet

i La calza del cavo Ethernet dal lato utilizzatore deve essere sempre collegata a terra tramite il connettore.

Utilizzare un connettore RJ45 di tipo schermato per la crimpatura del cavo Ethernet.

Effettuare i collegamenti secondo quanto descritto nella tabella (in accordo con lo standard: TIA/EIA-568-B).

COLLEGAMENTO DEL CAVO DI RETE ETHERNET	
Numero del pin	Colore del cavo
1	Arancione-Bianco
2	Arancione
3	Verde-Bianco
4	Blu
5	Blu-Bianco
6	Verde
7	Marrone-Bianco
8	Marrone

Tab. 5

Una installazione tipica è quella riportata nell'esempio sottostante.

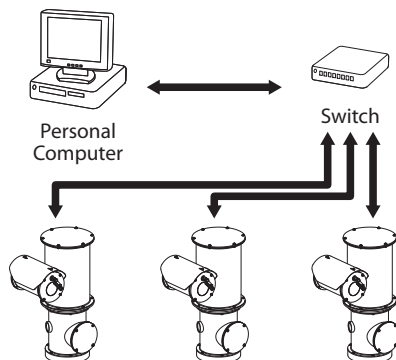


Fig. 14

7.5 Collegamento degli allarmi e dei relè

L'unità è dotata degli allarmi e dei relè riportati in tabella.

COLLEGAMENTO DEGLI ALLARMI E DEI RELÈ	
Colore del cavo	Descrizione
Rosso-Blu	Relè 1, A
Grigio-Rosa	Relè 1, B
Marrone-Verde	Relè 2, A
Bianco-Verde	Relè 2, B
Verde	Comune allarme, COM
Marrone	Allarme 1 (contatto pulito), AL1
Bianco-Giallo	Alimentazione dell'ingresso di reset
Nero	Ingresso di reset

Tab. 6

! **Isolare elettricamente tutti i cavi non collegati e non elencati nella tabella perché privi di funzione.**

7.5.1 Collegamento dell'allarme con contatto pulito

Nel caso di allarme a contatto pulito (allarme AL1), eseguire il collegamento come illustrato in figura.

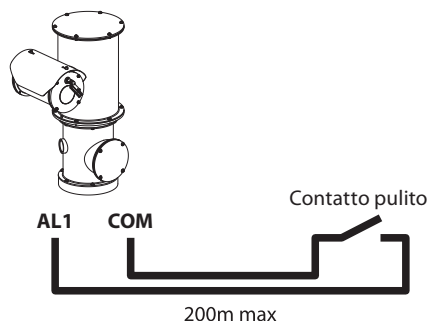


Fig. 15

Il contatto pulito di allarme può essere di tipo NO (normalmente aperto) oppure NC (normalmente chiuso).

Per ulteriori informazioni fare riferimento al relativo capitolo (manuale Interfaccia Web, Pagina I/O Digitali).

i **Tutti gli allarmi hanno una portata di 200m max, ottenibile con un cavo schermato di sezione minima di 0.25mm² (23AWG).**

7.5.2 Collegamento del relè

! **Il relè è utilizzabile con le specifiche riportate di seguito. Tensione di lavoro: fino a 30Vac oppure 60Vdc. Corrente: 1A max. Utilizzare cavi di sezione adeguata con le seguenti caratteristiche: da 0.25mm² (23AWG) fino a 1.5mm² (15AWG).**

A causa dell'assenza di polarità, ad entrambi i terminali del relè possono essere applicate indifferentemente tensioni alternate o continue.


7.5.3 Collegamento dell'impianto di lavaggio

i **Per ulteriori dettagli sulla configurazione e l'utilizzo fare riferimento al manuale del relativo accessorio.**

Quando l'impianto di lavaggio viene abilitato, il relè 2 segnala l'attivazione della pompa (7.5 Collegamento degli allarmi e dei relè, pagina 20).

Per la configurazione fare riferimento al relativo manuale (9.2 Interfaccia web, pagina 21).


8 Accensione

-  La procedura di preriscaldamento automatico (De-Ice) si potrebbe attivare tutte le volte che il dispositivo viene acceso ad una temperatura ambiente inferiore a 0°C. La procedura serve a garantire la corretta funzionalità del dispositivo anche alle basse temperature. La durata varia a seconda delle condizioni climatiche (da 60 minuti fino a 120 minuti).

Collegare l'alimentazione elettrica per accendere l'unità.

Scollegare l'alimentazione elettrica per spegnere l'unità.


8.1 Prima accensione

-  Assicurarsi che l'unità e gli altri componenti dell'impianto siano chiusi in modo idoneo a impedire il contatto con parti sotto tensione.

-  Accertarsi che tutte le parti siano fissate in maniera solida ed affidabile.

9 Configurazione

9.1 Indirizzo IP di default


-  L'unità è configurata per ottenere l'indirizzo IP da un server DHCP.

L'indirizzo IP acquisito via DHCP è visibile nel file log del server DHCP.

Se il server DHCP non è disponibile, l'unità si configura automaticamente con un indirizzo IP autogenerato nella sottorete 169.254.x.x/16. Configurare l'indirizzo IP del PC come appartenente alla stessa sottorete (esempio: indirizzo IP: 169.254.1.1, subnet mask: 255.255.0.0).

Per ricercare l'indirizzo IP del dispositivo usare un VMS compatibile ONVIF o un network sniffer (IP scan utility).

9.2 Interfaccia web

-  Browser supportati (ultima versione): Microsoft Edge, Google Chrome, Mozilla Firefox.

9.2.1 Primo accesso alle pagine web

La prima operazione per configurare il dispositivo consiste nel connettersi alla sua interfaccia web.

Per accedere all'interfaccia web del prodotto sarà sufficiente collegarsi con un browser all'indirizzo: <http://indirizzo IP>.

Al primo accesso sarà visualizzata la pagina di Home.

Per la configurazione dell'interfaccia web consultare il manuale relativo alla versione firmware installata, disponibile nella pagina web del prodotto nel sito www.videotec.com.

10 Accessori e supporti

i Per ulteriori dettagli sulla configurazione e l'utilizzo fare riferimento al manuale del relativo accessorio o supporto.

10.1 Impianto di lavaggio

Il prodotto può essere dotato di una pompa esterna che fornisce acqua per la pulizia del vetro.

Per completare l'installazione dell'impianto di lavaggio utilizzare il kit presente nella dotazione.

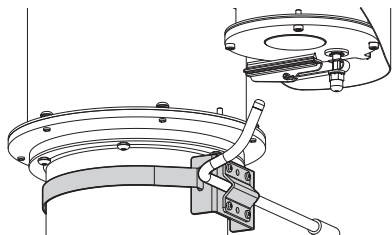


Fig. 16

i Per ulteriori informazioni fare riferimento al relativo capitolo (9.2 Interfaccia web, pagina 21).

10.2 Supporto per montaggio a parapetto o soffitto

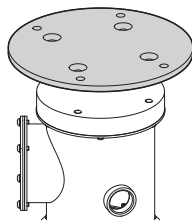


Fig. 17 NXPTZTW.

10.3 Supporto da parete

Supporto per montaggio a parete.

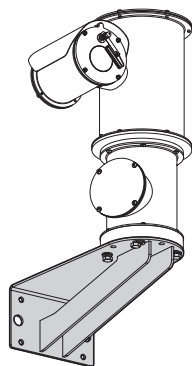


Fig. 18 NXPTZWB.

10.4 Adattatore angolare

Modulo adattatore angolare.

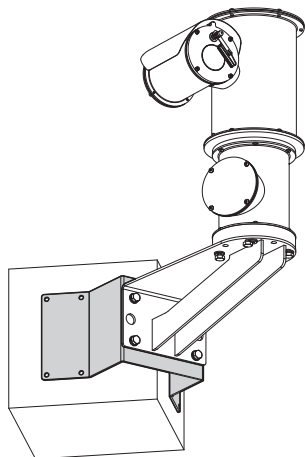


Fig. 19 NXPTZCW.

10.5 Collare da palo

Modulo adattatore da palo.

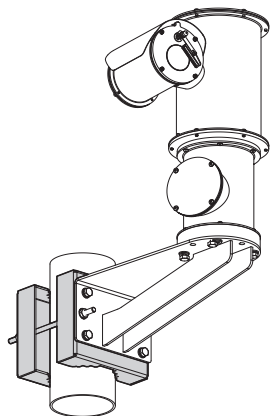


Fig. 20 NXPTZCOL.

10.6 Adattatore per il collegamento della fibra ottica

Adattatore per il collegamento della fibra ottica.

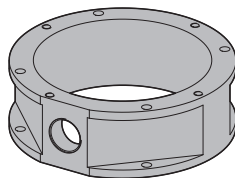


Fig. 21 NXPTZSFP.

11 Istruzioni di funzionamento ordinario



Non utilizzare il tergicristallo se la temperatura ambiente è inferiore a 0°C o in presenza di ghiaccio.



Il tergicristallo si disattiva in modo automatico se lasciato acceso.

Il controllo del dispositivo può essere effettuato con diverse modalità:

- Tramite i controlli utente dell'interfaccia web (9.2 Interfaccia web, pagina 21).
- Tramite Video Management Software (VMS) che supporta il protocollo ONVIF. In questo caso i comandi speciali vengono implementati mediante gli auxiliary command del protocollo ONVIF.
- Tramite il software PTZ Assistant (il software PTZ Assistant è disponibile per il download nella pagina web del prodotto nel sito: www.videotec.com).

12 Manutenzione



Prima di effettuare interventi tecnici sull'apparecchio togliere l'alimentazione elettrica.



ATTENZIONE! L'installazione e la manutenzione del dispositivo devono essere eseguite solo da personale tecnico specializzato.



Il costruttore declina ogni responsabilità per eventuali danni, su tutte le apparecchiature menzionate in questo manuale, derivanti da manomissione, utilizzo di ricambi non originali, installazione, manutenzione e riparazione eseguiti da personale non qualificato.



In caso di danneggiamento la sostituzione o riparazione delle parti interessate deve essere eseguita da VIDEOTEC o sotto la sua supervisione.



Come indicato, qualsiasi sostituzione di ricambi, deve essere eseguita utilizzando solamente ricambi originali VIDEOTEC, seguendo scrupolosamente le istruzioni di manutenzione allegate ad ogni kit di ricambio.



Si consiglia, per qualunque intervento di manutenzione, di riportare in laboratorio il prodotto per effettuare le operazioni necessarie.

Quando viene contattato il servizio tecnico di VIDEOTEC è necessario fornire il numero di serie unitamente al codice di identificazione del modello.

12.1 Manutenzione ordinaria


12.1.1 Controllo dei cavi

I cavi non devono presentare segni di usura o deterioramento tali da creare situazioni di pericolo. In questo caso si deve eseguire una manutenzione straordinaria.

12.2 Manutenzione straordinaria

12.2.1 Sostituzione dei fusibili

 **Eseguire la manutenzione in assenza di alimentazione e con il dispositivo di sezionamento aperto.**

 **ATTENZIONE! Per assicurare la protezione contro il rischio di incendio, sostituire i fusibili con lo stesso tipo e valore. I fusibili devono essere sostituiti solo da personale qualificato.**

In caso di necessità è possibile sostituire i fusibili della scheda connettori all'interno del vano connessioni.

SVITARE LE VITI E RIMUOVERE IL COPERCHIO.

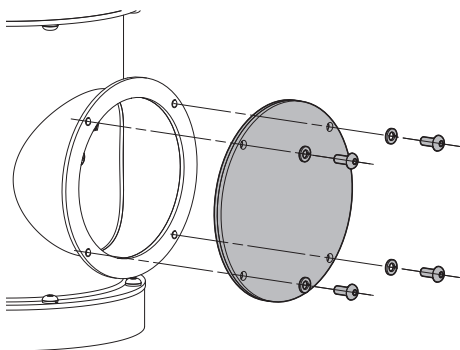


Fig. 22

I nuovi fusibili dovranno rispettare le indicazioni fornite in tabella.

SOSTITUZIONE DEI FUSIBILI		
Tensione di alimentazione	Fusibile (F1)	Fusibile (F2)
24Vac, 50/60Hz	T 4A H 250V 5x20	T 4A H 250V 5x20
120Vac, 50/60Hz	T 2A H 250V 5x20	T 4A H 250V 5x20
230Vac, 50/60Hz	T 2A H 250V 5x20	T 4A H 250V 5x20

Tab. 7

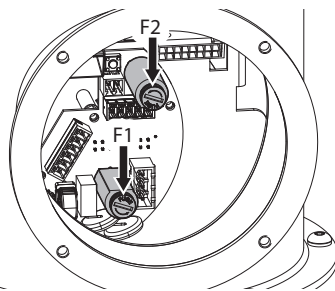



Fig. 23

Al termine delle operazioni richiudere il prodotto.


 **Prestare attenzione durante il fissaggio. Coppia di serraggio: 1.5Nm (±0.2Nm).**

12.2.2 Factory Default

 **Se la password di accesso non è più disponibile, è possibile ripristinare le impostazioni di fabbrica tramite una procedura di reset.**

Per ripristinare le impostazioni di fabbrica relative alla rete, all'accesso utenti e alla configurazione della camera seguire la procedura:

- Spegnere l'unità.
- Collegare, utilizzando un contatto pulito, il segnale di reset (cavo nero) e la relativa alimentazione (cavo bianco-giallo).
- Alimentare l'unità.
- Attendere 2 minuti.
- Spegnere l'unità.
- Aprire il contatto tra reset e la relativa alimentazione.
- Alimentare l'unità.

 **Una volta terminata la procedura di factory default è necessario configurare l'unità come descritto nel relativo capitolo: 9.1 Indirizzo IP di default, pagina 21.**

13 Pulizia



La frequenza degli interventi dipende dalla tipologia dell'ambiente in cui è utilizzato il prodotto.

13.1 Pulizia della finestra



Evitare alcool etilico, solventi, idrocarburi idrogenati, acidi forti e alcali. L'utilizzo di detti prodotti danneggia in modo irreparabile la superficie trattata.

Si consiglia di utilizzare un panno morbido con sapone neutro diluito con acqua o prodotti specifici per la pulizia delle lenti degli occhiali.

13.2 Pulizia del prodotto

La pulizia deve essere effettuata con un panno umido e senza l'utilizzo di aria compressa.

14 Informazioni sullo smaltimento e il riciclo

La Direttiva Europea 2012/19/UE sui Rifiuti di Apparecchiature Elettriche ed Elettroniche (RAEE) prevede che questi apparecchi non debbano essere smaltiti nel normale flusso dei rifiuti solidi urbani, ma che vengano raccolti separatamente per ottimizzare il flusso di recupero e riciclaggio dei materiali che li compongono ed impedire potenziali danni per la salute e per l'ambiente dovuti alla presenza di sostanze potenzialmente pericolose.



Il simbolo del bidone barrato è riportato su tutti i prodotti per ricordarlo.

I rifiuti possono essere conferiti agli appositi centri di raccolta, oppure possono essere consegnati gratuitamente al distributore dove è stata acquistata l'apparecchiatura all'atto di acquisto di una nuova equivalente o senza obbligo di un acquisto nuovo per le apparecchiature di dimensioni minori di 25cm.

Per ulteriori informazioni sulla corretta dismissione di questi apparecchi ci si può rivolgere al servizio pubblico preposto.

15 Risoluzione dei problemi



Per qualunque problematica non descritta o se i problemi dovessero persistere, contattare il centro di assistenza autorizzato.

PROBLEMA

Il prodotto non si accende.

CAUSA

Errato cablaggio, rottura dei fusibili.

SOLUZIONE

Verificare la corretta esecuzione delle connessioni. Verificare la continuità dei fusibili e, in caso di guasto, sostituirli con i modelli indicati.

PROBLEMA

L'area ripresa non corrisponde alla posizione di preset richiamata.

CAUSA

Perdita del riferimento di posizione assoluto.

SOLUZIONE

Eseguire la procedura di calibrazione del dispositivo oppure resettare l'unità spegnendola e riaccendendola.

PROBLEMA

Il dispositivo non si muove durante la fase di startup.

CAUSA

La temperatura ambiente è troppo bassa.

SOLUZIONE

Attendere il termine della procedura di preriscaldamento. Nella pagina web è visualizzato il seguente messaggio: procedura di De-Ice in corso.

16 Dati tecnici

16.1 NXPTZ SERIES2 (NXPTZHD)

16.1.1 Meccanica

Assenza di gioco meccanico

Cavo multipolare preinstallato (3m, sono disponibili su richiesta lunghezze differenti)

Rotazione orizzontale: 360°, rotazione continua

Rotazione verticale: da -90° fino a +90°

Velocità orizzontale (variabile): da 0.1°/s fino a 100°/s

Velocità verticale (variabile): da 0.1°/s fino a 100°/s

Accuratezza del richiamo delle posizioni di preset: 0.02°

Tergicristallo integrato

Peso unitario: 22kg

16.1.2 Finestre per custodia

Finestra in vetro extrachiaro

- Spessore: 5mm

16.1.3 Elettrico

Tensione di alimentazione/Corrente assorbita:

- 230Vac \pm 10%, 0.5A max, 50/60Hz
- 120Vac \pm 10%, 1A max, 50/60Hz
- 24Vac \pm 10%, 5A max, 50/60Hz

Potenza assorbita:

- 120W max
- 30W, brandeggio fermo, riscaldamento spento

16.1.4 Rete

Porta RJ45

- Connessione Ethernet: 10BASE-T/100BASE-T

Slot SFP (SMALL FORM FACTOR PLUGGABLE)

- Connessione Ethernet: 100BASE-FX
- Tensione di alimentazione: 3.3V
- Standard: conforme MSA

Il modulo SFP (non fornito da VIDEOTEC) deve rispettare i seguenti requisiti:

- Laser: Class 1, conforme a EN60825-1
- Certificazione: UL/IEC 60950-1 oppure UL/IEC 62368-1

16.1.5 Cybersecurity

Firmware firmato digitalmente

Restrizione dell'accesso mediante password (HTTP digest)

Supporto di diversi livelli di accesso utente

Controllo degli accessi IEEE 802.1X

Crittografia HTTPS mediante TLS1.0, TLS1.1, TLS1.2 e TLS1.3

Gestione certificati centralizzata

Conforme alle specifiche ONVIF Security Service

16.1.6 Video

Encoder video

- Protocollo di comunicazione: ONVIF, Profilo Q, Profilo S e Profilo T
- Configurazione del dispositivo: TCP/IPv4-IPv6, UDP/IPv4-IPv6, HTTP, HTTPS, NTP, DHCP, WS-DISCOVERY, DSCP, IGMP (Multicast), SOAP, DNS
- Streaming: RTSP, RTCP, RTP/IPv4-IPv6, HTTP, Multicast
- Compressione video: H.264/AVC, MJPEG, MPEG4, snapshot JPEG
- 3 flussi video indipendenti Full HD
- Risoluzione immagine: da 320x180pixel fino a 1920x1080pixel in 8 passi
- Frame rate configurabile da 1 a 60 immagini per secondo (fps)
- Web Server
- OSD direzionale (massimo 4 aree impostabili)
- Motion Detection
- Video analisi: VIDEOTEC ANALYTICS (opzionale)
- QoS: DSCP differenziati per streaming e gestione del dispositivo
- Protocolli SNMP e NTCIP

16.1.7 Interfaccia I/O

Scheda allarme I/O:

- Ingressi allarme: 1
- Uscite relè: 1+1 (1 relè riservato alla pompa lavavetro e uno configurabile, 1A, 30Vac/60Vdc max)

Ingresso per reset remoto: 1

16.1.8 Telecamere

SONY FCB-EV7520 Day/Night Full HD 30x

Risoluzione: Full HD 1080p (1920x1080)

Sensore di immagine: 1/2.8" Exmor™ R CMOS sensor

Pixel Effettivi: appross. 2.13 Megapixel

Illuminazione Minima:

- Colore: 0.0013lx (50 IRE, High sensitivity on)
- B/W: 0.0008lx (30 IRE, High sensitivity on)

Lunghezza focale: da 4.3mm (wide) fino a 129mm (tele)

Zoom:

- 30x
- 36x, con Stable Zoom abilitato

Zoom digitale: 12x

Iris: da F1.6 fino a F14 (Auto, Manuale)

Campo visivo orizzontale: da 63.7° (wide end) fino a 2.3° (tele end)

Campo visivo verticale: da 38.5° (wide end) fino a 1.3° (tele end)

Velocità dell'otturatore: da 1/1s fino a 1/10000s (Auto, Manuale)

Bilanciamento del bianco: Auto, Auto Tracing, Indoor, Outdoor, Manuale, Outdoor Auto, Sodium Lamp (Fix/Auto/Outdoor Auto)

Guadagno: da 0dB fino a 50.0dB (Auto, Manuale)

Wide Dynamic Range: 120dB

Sistema Focus: Auto (PTZ Trigger, Full Auto), Manuale

Effetti immagine: E-flip

Riduzione del rumore (2D, 3D): Off, On (da livello 1 fino a livello 5)

Controllo Esposizione: Auto, Manuale, Priorità (Priorità diaframma, Priorità otturatore, Priorità luminosità)

De-fog: Off, Low, Mid, High

Mascheratura dinamica delle zone di privacy (PTZ): massimo 24 maschere impostabili, massimo 8 visualizzabili contemporaneamente

Mascheratura delle zone di privacy (telecamere): massimo 8 maschere impostabili

Indoor Flicker Reduction

Limite Guadagno: da 10.7dB fino a 50dB

High sensitivity: On/Off

Compensazione Backlight: On/Off

Auto Slowshutter: On/Off

Compensazione esposizione: Off, On (da -10.5dB fino a +10.5dB)

Nitidezza: da livello 0 fino a livello 15

High Light Compensation (HLC): Off, Low, Mid, High, Livello Mascheratura (Off, On, da livello 1 fino a livello 15)

Stabilizzazione immagine digitale: On/Off

Day/Night Full HD 30x DELUX

Risoluzione: Full HD 1080p (1920x1080)

Sensore di immagine: 1/2.8" Exmor™ R CMOS sensor

Pixel Effettivi: appross. 2.38 Megapixel

Illuminazione Minima:

- Colore: 0.006lx (F1.6, 30 IRE)
- B/W: 0.0006lx (F1.6, 30 IRE)

Lunghezza focale: da 4.5mm (wide) fino a 135mm (tele)

Zoom: 30x (480x con zoom digitale)

Iris: da F1.6 fino a F9.6 (Auto, Manuale)

Campo visivo orizzontale: da 61.60° (wide end) fino a 2.50° (tele end)

Campo visivo verticale: da 37.07° (wide end) fino a 1.44° (tele end)

Velocità dell'otturatore: da 1/1s fino a 1/10000s (Auto, Manuale)

Bilanciamento del bianco: Auto, Manuale

Guadagno: da 0dB fino a 100dB (Auto, Manuale)

Wide Dynamic Range: 120dB

Sistema Focus: Auto, Manuale, Trigger

Effetti immagine: E-flip, Miglioramento del colore

Riduzione del rumore: 2D (3 livelli), 3D (3 livelli)

Controllo Esposizione: Auto, Manuale, Priorità (Priorità Iris, Priorità Shutter), Luminosità, Custom

De-fog: On/Off

Mascheratura delle zone di privacy: massimo 8 maschere impostabili

Indoor Flicker Reduction

Auto Slowshutter: Off, On (da 1/30s fino a 1/1s)

Compensazione esposizione: Off, On (da livello 0 fino a livello 14)

Nitidezza: da livello 0 fino a livello 3

16.1.9 Ambiente

Installazione per interni ed esterni

Temperatura di esercizio

- Funzionamento continuo: da -40°C fino a +65°C
- Test di temperatura conforme NEMA-TS 2-2003 (R2008) par. 2.1.5.1, profilo di test fig. 2-1 (da -34°C fino a +74°C) (non valido per versioni con VIDEOTEC ANALYTICS)
- Intervento della funzione de-icing (avviamento a freddo): da -40°C fino a -10°C

Umidità relativa: da 5% fino a 95%

16.1.10 Certificazioni

Sicurezza elettrica (CE): EN60950-1, IEC60950-1, EN62368-1, IEC62368-1

Compatibilità elettromagnetica (CE): EN50130-4, EN55032 (Classe A), EN61000-6-4, EN61000-3-2, EN61000-3-3

Installazione all'esterno (CE): EN60950-22, ICE60950-22

Grado di protezione IP (EN/IEC60529): IP66, IP67, IP68, IP69

Certificazione UL (UL60950-1, CAN/CSA C22.2 No. 60950-1-07, UL62368-1, CAN/CSA C22.2 No. 62368-1-14): cULus Listed (solo per versione in 24Vac)

Compatibilità elettromagnetica (Nord America): FCC part 15 (Classe A), ICES-003 (Classe A)

Grado di protezione Type (UL50E): 4X (solo per versione in 24Vac)

Certificazione EAC

RoHS (CE): EN IEC 63000

Waste Electrical and Electronic Equipment (WEEE), Direttiva 2012/19/EU

16.1.11 Certificazioni - Applicazioni marine

Certificazione Lloyd's Register Marine Type Approval (le versioni 24Vac e 120Vac necessitano di filtro accessorio FM1010):

- Test Specification Number 1 (ENV1, ENV2, ENV3, ENV5)

Compatibilità elettromagnetica: EN60945

Resistenza alla nebbia salina: EN60068-2-52

Il prodotto ha superato il test a 70°C per 16 ore in accordo con EN60068-2-2

16.2 NXPTZR SERIES2 (NXPTZR)

16.2.1 Meccanica

Assenza di gioco meccanico

Cavo multipolare preinstallato (3m, sono disponibili su richiesta lunghezze differenti)

Rotazione orizzontale: 360°, rotazione continua

Rotazione verticale: da -90° fino a +90°

Velocità orizzontale (variabile): da 0.1°/s fino a 100°/s

Velocità verticale (variabile): da 0.1°/s fino a 100°/s

Accuratezza del richiamo delle posizioni di preset: 0.02°

Peso unitario: 22kg

16.2.2 Finestre per custodia

Finestra in germanio (ottiche da 9mm, 13mm, 19mm, 25mm, 35mm)

- Spessore: 1.5mm
- Trattamento esterno: antigraffio (Hard Carbon Coating - DLC)
- Trattamento interno: antiriflesso
- Range spettrale: da 7.5µm fino a 14µm
- Trasmittanza media (da 7.5µm fino a 11.5µm): 91.2%
- Trasmittanza media (da 11.5µm fino a 14µm): 80.9%

Finestra in germanio (ottica da 50mm)

- Spessore: 2mm
- Trattamento esterno: antigraffio (Hard Carbon Coating - DLC)
- Trattamento interno: antiriflesso
- Range spettrale: da 7.5µm fino a 14µm
- Trasmittanza media (da 7.5µm fino a 11.5µm): 90%
- Trasmittanza media (da 11.5µm fino a 14µm): 77%

16.2.3 Elettrico

Tensione di alimentazione/Corrente assorbita:

- 230Vac \pm 10%, 0.5A max, 50/60Hz
- 120Vac \pm 10%, 1A max, 50/60Hz
- 24Vac \pm 10%, 5A max, 50/60Hz

Potenza assorbita:

- 120W max
- 30W, brandeggio fermo, riscaldamento spento

16.2.4 Rete

Porta RJ45

- Connessione Ethernet: 10BASE-T/100BASE-T

Slot SFP (SMALL FORM FACTOR PLUGGABLE)

- Connessione Ethernet:100BASE-FX
- Tensione di alimentazione: 3.3V
- Standard: conforme MSA

Il modulo SFP (non fornito da VIDEOTEC) deve rispettare i seguenti requisiti:

- Laser: Class 1, conforme a EN60825-1
- Certificazione: UL/IEC 60950-1 oppure UL/IEC 62368-1

16.2.5 Cybersecurity

Firmware firmato digitalmente

Restrizione dell'accesso mediante password (HTTP digest)

Supporto di diversi livelli di accesso utente

Controllo degli accessi IEEE 802.1X

Crittografia HTTPS mediante TLS1.0, TLS1.1, TLS1.2 e TLS1.3

Gestione certificati centralizzata

Conforme alle specifiche ONVIF Security Service

16.2.6 Video

Encoder video

- Protocollo di comunicazione: ONVIF, Profilo Q, Profilo S e Profilo T, ONVIF Thermal Service
- Configurazione del dispositivo: TCP/IPv4-IPv6, UDP/IPv4-IPv6, HTTP, HTTPS, NTP, DHCP, WSDISCOVERY, DSCP, IGMP (Multicast), SOAP, DNS
- Streaming: RTSP, RTCP, RTP/IPv4-IPv6, HTTP, Multicast
- Compressione video: H.264/AVC, MJPEG, MPEG4, snapshot JPEG
- 3 flussi video indipendenti
- Risoluzione immagine: da 160x120pixel fino a 720x480pixel in 5 passi
- Frame rate configurabile da 1 a 30 immagini per secondo (fps)
- Web Server
- OSD direzionale (massimo 4 aree impostabili)
- Motion Detection
- QoS: DSCP differenziati per streaming e gestione del dispositivo
- Protocolli SNMP e NTCIP

16.2.7 Interfaccia I/O

Scheda allarme I/O:

- Ingressi allarme: 1
- Uscite relè: 1+1 (1 relè riservato alla pompa lavavetro e uno configurabile, 1A, 30Vac/60Vdc max)

Ingresso per reset remoto: 1

16.2.8 Telecamere

Consultare la relativa tabella (16.4 Telecamere termiche, pagina 35).

16.2.9 Ambiente

Installazione per interni ed esterni

Temperatura di esercizio

- Funzionamento continuo: da -40°C fino a +65°C
- Test di temperatura conforme NEMA-TS 2-2003 (R2008) par. 2.1.5.1, profilo di test fig. 2-1 (da -34°C fino a +74°C)
- Intervento della funzione de-icing (avviamento a freddo): da -40°C fino a -10°C

Umidità relativa: da 5% fino a 95%

16.2.10 Certificazioni

Sicurezza elettrica (CE): EN60950-1, IEC60950-1, EN62368-1, IEC62368-1

Compatibilità elettromagnetica (CE): EN61000-6-4, EN61000-3-2, EN61000-3-3, EN50130-4, EN55032 (Classe A)

Installazione all'esterno (CE): EN60950-22, ICE60950-22

Grado di protezione IP (EN/IEC60529): IP66, IP67, IP68, IP69

Certificazione UL (UL60950-1, CAN/CSA C22.2 No. 60950-1-07, UL62368-1, CAN/CSA C22.2 No. 62368-1-14): cULus Listed (solo per versione in 24Vac)

Compatibilità elettromagnetica (Nord America): FCC part 15 (Classe A), ICES-003 (Classe A)

Grado di protezione Type (UL50E): 4X (solo per versione in 24Vac)

Certificazione EAC

RoHS (CE): EN IEC 63000

Waste Electrical and Electronic Equipment (WEEE), Direttiva 2012/19/EU

16.2.11 Certificazioni - Applicazioni marine

Certificazione Lloyd's Register Marine Type Approval (le versioni 24Vac e 120Vac necessitano di filtro accessorio FM1010):

- Test Specification Number 1 (ENV1, ENV2, ENV3, ENV5)

Compatibilità elettromagnetica: EN60945

Resistenza alla nebbia salina: EN60068-2-52

Il prodotto ha superato il test a 70°C per 16 ore in accordo con EN60068-2-2

16.3 NXPTZT SERIES2 (NXPTZT)

16.3.1 Meccanica

Assenza di gioco meccanico

Cavo multipolare preinstallato (3m, sono disponibili su richiesta lunghezze differenti)

Rotazione orizzontale: 360°, rotazione continua

Rotazione verticale: da -90° fino a +90°

Velocità orizzontale (variabile): da 0.1°/s fino a 100°/s

Velocità verticale (variabile): da 0.1°/s fino a 100°/s

Accuratezza del richiamo delle posizioni di preset: 0.02°

Tergicristallo integrato

Peso unitario: 24kg

16.3.2 Finestre per custodia

Finestra in vetro extrachiaro

- Spessore: 5mm

Finestra in germanio (ottiche da 9mm, 13mm, 19mm, 25mm, 35mm)

- Spessore: 1.5mm
- Trattamento esterno: antigraffio (Hard Carbon Coating - DLC)
- Trattamento interno: antiriflesso
- Range spettrale: da 7.5µm fino a 14µm
- Trasmissione media (da 7.5µm fino a 11.5µm): 91.2%
- Trasmissione media (da 11.5µm fino a 14µm): 80.9%

Finestra in germanio (ottica da 50mm)

- Spessore: 2mm
- Trattamento esterno: antigraffio (Hard Carbon Coating - DLC)
- Trattamento interno: antiriflesso
- Range spettrale: da 7.5µm fino a 14µm
- Trasmissione media (da 7.5µm fino a 11.5µm): 90%
- Trasmissione media (da 11.5µm fino a 14µm): 77%

16.3.3 Elettrico

Tensione di alimentazione/Corrente assorbita:

- 230Vac \pm 10%, 0.5A max, 50/60Hz
- 120Vac \pm 10%, 1A max, 50/60Hz
- 24Vac \pm 10%, 5A max, 50/60Hz

Potenza assorbita:

- 120W max
- 30W, brandeggio fermo, riscaldamento spento

16.3.4 Rete

Porta RJ45

- Connessione Ethernet: 10BASE-T/100BASE-T

Slot SFP (SMALL FORM FACTOR PLUGGABLE)

- Connessione Ethernet:100BASE-FX
- Tensione di alimentazione: 3.3V
- Standard: conforme MSA

Il modulo SFP (non fornito da VIDEOTEC) deve rispettare i seguenti requisiti:

- Laser: Class 1, conforme a EN60825-1
- Certificazione: UL/IEC 60950-1 oppure UL/IEC 62368-1

16.3.5 Cybersecurity

Firmware firmato digitalmente

Restrizione dell'accesso mediante password (HTTP digest)

Supporto di diversi livelli di accesso utente

Controllo degli accessi IEEE 802.1X

Crittografia HTTPS mediante TLS1.0, TLS1.1, TLS1.2 e TLS1.3

Gestione certificati centralizzata

Conforme alle specifiche ONVIF Security Service

16.3.6 Video

Telecamera Day/Night

Encoder video

- Protocollo di comunicazione: ONVIF, Profilo Q, Profilo S e Profilo T
- Configurazione del dispositivo: TCP/IPv4-IPv6, UDP/IPv4-IPv6, HTTP, HTTPS, NTP, DHCP, WS-DISCOVERY, DSCP, IGMP (Multicast), SOAP, DNS
- Streaming: RTSP, RTCP, RTP/IPv4-IPv6, HTTP, Multicast
- Compressione video: H.264/AVC, MJPEG, MPEG4, snapshot JPEG
- 3 flussi video indipendenti Full HD
- Risoluzione immagine: da 320x180pixel fino a 1920x1080pixel in 8 passi
- Frame rate configurabile da 1 a 60 immagini per secondo (fps)
- Web Server
- OSD direzionale (massimo 4 aree impostabili)
- Motion Detection
- QoS: DSCP differenziati per streaming e gestione del dispositivo
- Protocolli SNMP e NTCIP

Telecamera Termica

Encoder video

- Protocollo di comunicazione: ONVIF, Profilo Q, Profilo S e Profilo T, ONVIF Thermal Service
- Configurazione del dispositivo: TCP/IPv4-IPV6, UDP/IPv4-IPV6, HTTP, HTTPS, NTP, DHCP, WSDISCOVERY, DSCP, IGMP (Multicast), SOAP, DNS
- Streaming: RTSP, RTCP, RTP/IPv4-IPV6, HTTP, Multicast
- Compressione video: H.264/AVC, MJPEG, MPEG4, snapshot JPEG
- 3 flussi video indipendenti
- Risoluzione immagine: da 160x120pixel fino a 720x480pixel in 5 passi
- Frame rate configurabile da 1 a 30 immagini per secondo (fps)
- Web Server
- OSD direzionale (massimo 4 aree impostabili)
- Motion Detection
- QoS: DSCP differenziati per streaming e gestione del dispositivo
- Protocolli SNMP e NTCIP

16.3.7 Interfaccia I/O

Scheda allarme I/O:

- Ingressi allarme: 1
- Uscite relè: 1+1 (1 relè riservato alla pompa lavavetro e uno configurabile, 1A, 30Vac/60Vdc max)

Ingresso per reset remoto: 1

16.3.8 Telecamere

SONY FCB-EV7520 Day/Night Full HD 30x

Risoluzione: Full HD 1080p (1920x1080)

Sensore di immagine: 1/2.8" Exmor™ R CMOS sensor

Pixel Effettivi: approx. 2.13 Megapixel

Illuminazione Minima:

- Colore: 0.0013lx (50 IRE, High sensitivity on)
- B/W: 0.0008lx (30 IRE, High sensitivity on)

Lunghezza focale: da 4.3mm (wide) fino a 129mm (tele)

Compensazione esposizione: Off, On (da -10.5dB fino a +10.5dB)

Nitidezza: da livello 0 fino a livello 15

High Light Compensation (HLC): Off, Low, Mid, High, Livello Mascheratura (Off, On, da livello 1 fino a livello 15)

Stabilizzazione immagine digitale: On/Off

Zoom:

- 30x
- 36x, con Stable Zoom abilitato

Zoom digitale: 12x

Iris: da F1.6 fino a F14 (Auto, Manuale)

Campo visivo orizzontale: da 63.7° (wide end) fino a 2.3° (tele end)

Campo visivo verticale: da 38.5° (wide end) fino a 1.3° (tele end)

Velocità dell'otturatore: da 1/1s fino a 1/10000s (Auto, Manuale)

Bilanciamento del bianco: Auto, Auto Tracing, Indoor, Outdoor, Manuale, Outdoor Auto, Sodium Lamp (Fix/Auto/Outdoor Auto)

Guadagno: da 0dB fino a 50.0dB (Auto, Manuale)

Wide Dynamic Range: 120dB

Sistema Focus: Auto (PTZ Trigger, Full Auto), Manuale

Effetti immagine: E-flip

Riduzione del rumore (2D, 3D): Off, On (da livello 1 fino a livello 5)

Controllo Esposizione: Auto, Manuale, Priorità (Priorità diaframma, Priorità otturatore, Priorità luminosità)

De-fog: Off, Low, Mid, High

Mascheratura dinamica delle zone di privacy (PTZ): massimo 24 maschere impostabili, massimo 8 visualizzabili contemporaneamente

Mascheratura delle zone di privacy (telecamere): massimo 8 maschere impostabili

Indoor Flicker Reduction

Limite Guadagno: da10.7dB fino a 50dB

High sensitivity: On/Off

Compensazione Backlight: On/Off

Auto Slowshutter: On/Off

Compensazione esposizione: Off, On (da -10.5dB fino a +10.5dB)

Nitidezza: da livello 0 fino a livello 15

High Light Compensation (HLC): Off, Low, Mid, High, Livello Mascheratura (Off, On, da livello 1 fino a livello 15)

Stabilizzazione immagine digitale: On/Off

Telecamere termiche

Consultare la relativa tabella (16.4 Telecamere termiche, pagina 35).

16.3.9 Ambiente

Installazione per interni ed esterni

Temperatura di esercizio

- Funzionamento continuo: da -40°C fino a +65°C
- Test di temperatura conforme NEMA-TS 2-2003 (R2008) par. 2.1.5.1, profilo di test fig. 2-1 (da -34°C fino a +74°C)
- Intervento della funzione de-icing (avviamento a freddo): da -40°C fino a -10°C

Umidità relativa: da 5% fino a 95%

16.3.10 Certificazioni

Sicurezza elettrica (CE): EN60950-1, IEC60950-1, EN62368-1, IEC62368-1

Compatibilità elettromagnetica (CE): EN61000-6-4, EN61000-3-2, EN61000-3-3, EN50130-4, EN55032 (Classe A)

Installazione all'esterno (CE): EN60950-22, ICE60950-22

Grado di protezione IP (EN/IEC60529): IP66, IP67, IP68, IP69

Certificazione UL (UL60950-1, CAN/CSA C22.2 No. 60950-1-07, UL62368-1, CAN/CSA C22.2 No. 62368-1-14): cULus Listed (solo per versione in 24Vac)

Compatibilità elettromagnetica (Nord America): FCC part 15 (Classe A), ICES-003 (Classe A)

Grado di protezione Type (UL50E): 4X (solo per versione in 24Vac)

Certificazione EAC

Restriction of Hazardous Substances (RoHS), Direttiva 2011/65/EU: EN50581

Waste Electrical and Electronic Equipment (WEEE), Direttiva 2012/19/EU

16.3.11 Certificazioni - Applicazioni marine

Certificazione Lloyd's Register Marine Type Approval (le versioni 24Vac e 120Vac necessitano di filtro accessorio FM1010):

- Test Specification Number 1 (ENV1, ENV2, ENV3, ENV5)

Compatibilità elettromagnetica: EN60945

Resistenza alla nebbia salina: EN60068-2-52

Il prodotto ha superato il test a 70°C per 16 ore in accordo con EN60068-2-2

16.4 Telecamere termiche

TELECAMERE TERMICHE (RISOLUZIONE 336X256)						
Obiettivo	9mm	13mm	19mm	25mm	35mm	50mm
Sensore a microbolometro VOx non raffreddato	√	√	√	√	√	√
Risoluzione interpolata	720x480	720x480	720x480	720x480	720x480	720x480
Dimensioni pixel	17μm	17μm	17μm	17μm	17μm	17μm
Risposta spettrale - Infrarossi onda lunga (LWIR)	da 7.5μm a 13.5μm	da 7.5μm a 13.5μm	da 7.5μm a 13.5μm	da 7.5μm a 13.5μm	da 7.5μm a 13.5μm	da 7.5μm a 13.5μm
Otturatore interno (solo per compensazione sensore)	Video stop <1s	Video stop <1s	Video stop <1s	Video stop <1s	Video stop <1s	Video stop <1s
Digital Detail Enhancement (DDE)	√	√	√	√	√	√
Zoom digitale	2x, 4x	2x, 4x	2x, 4x	2x, 4x	2x, 4x	2x, 4x
Frequenza di aggiornamento immagine	7.5fps	7.5fps	7.5fps	7.5fps	7.5fps	7.5fps
Alta frequenza di aggiornamento immagine	30fps	30fps	30fps	30fps	30fps	30fps
Gamma scena (High Gain)	-40°C ÷ +160°C	-40°C ÷ +160°C	-40°C ÷ +160°C	-40°C ÷ +160°C	-40°C ÷ +160°C	-40°C ÷ +160°C
Gamma scena (Low Gain)	-40°C ÷ +550°C	-40°C ÷ +550°C	-40°C ÷ +550°C	-40°C ÷ +550°C	-40°C ÷ +550°C	-40°C ÷ +550°C
Campo visione orizzontale (HFOV)	35°	25°	17°	13°	9.3°	6.5°
Campo visione verticale (VFOV)	27°	19°	13°	10°	7.1°	5°
f-number	f/1.25	f/1.25	f/1.25	f/1.1	f/1.2	f/1.2
Sensibilità termica (NETD), telecamera termica con funzioni radiometriche	<50mK a f/1.0	<50mK a f/1.0	<50mK a f/1.0	<50mK a f/1.0	<50mK a f/1.0	<50mK a f/1.0
Sensibilità termica (NETD), telecamera termica con funzioni radiometriche avanzate	<30mK a f/1.0	<30mK a f/1.0	<30mK a f/1.0	<30mK a f/1.0	<30mK a f/1.0	<30mK a f/1.0
Uomo (rilevamento / riconoscimento / identificazione)	285m / 71m / 36m	440m / 112m / 56m	640m / 160m / 80m	930m / 230m / 116m	1280m / 320m / 160m	1700m / 430m / 215m
Veicolo (rilevamento / riconoscimento / identificazione)	880m / 220m / 108m	1340m / 340m / 170m	1950m / 500m / 250m	2800m / 710m / 360m	3850m / 950m / 295m	5100m / 1320m / 660m

L'analisi radiometrica non influisce sulle prestazioni della telecamera.

TELECAMERE TERMICHE (RISOLUZIONE 640X512)						
Obiettivo	9mm	13mm	19mm	25mm	35mm	50mm
Sensore a microbolometro VOx non raffreddato	√	√	√	√	√	√
Risoluzione interpolata	720x480	720x480	720x480	720x480	720x480	720x480
Dimensioni pixel	17µm	17µm	17µm	17µm	17µm	17µm
Risposta spettrale - Infrarossi onda lunga (LWIR)	da 7.5µm a 13.5µm	da 7.5µm a 13.5µm	da 7.5µm a 13.5µm	da 7.5µm a 13.5µm	da 7.5µm a 13.5µm	da 7.5µm a 13.5µm
Otturatore interno (solo per compensazione sensore)	Video stop <1s	Video stop <1s	Video stop <1s	Video stop <1s	Video stop <1s	Video stop <1s
Digital Detail Enhancement (DDE)	√	√	√	√	√	√
Zoom digitale	2x, 4x, 8x	2x, 4x, 8x	2x, 4x, 8x	2x, 4x, 8x	2x, 4x, 8x	2x, 4x, 8x
Frequenza di aggiornamento immagine	7.5fps	7.5fps	7.5fps	7.5fps	7.5fps	7.5fps
Alta frequenza di aggiornamento immagine	30fps	30fps	30fps	30fps	30fps	30fps
Gamma scena (High Gain)	-40°C ÷ +160°C	-40°C ÷ +160°C	-40°C ÷ +160°C	-40°C ÷ +160°C	-40°C ÷ +160°C	-40°C ÷ +160°C
Gamma scena (Low Gain)	-40°C ÷ +550°C	-40°C ÷ +550°C	-40°C ÷ +550°C	-40°C ÷ +550°C	-40°C ÷ +550°C	-40°C ÷ +550°C
Campo visione orizzontale (HFOV)	69°	45°	32°	25°	18°	12.4°
Campo visione verticale (VFOV)	56°	37°	26°	20°	14°	9.9°
f-number	f/1.4	f/1.25	f/1.25	f/1.1	f/1.2	f/1.2
Sensibilità termica (NETD), telecamera termica con funzioni radiometriche	<50mK a f/1.0	<50mK a f/1.0	<50mK a f/1.0	<50mK a f/1.0	<50mK a f/1.0	<50mK a f/1.0
Sensibilità termica (NETD), telecamera termica con funzioni radiometriche avanzate	<30mK a f/1.0	<30mK a f/1.0	<30mK a f/1.0	<30mK a f/1.0	<30mK a f/1.0	<30mK a f/1.0
Uomo (rilevamento / riconoscimento / identificazione)	250m / 63m / 31m	390m / 95m / 47m	570m / 144m / 72m	820m / 210m / 104m	1140m / 280m / 142m	1500m / 380m / 190m
Veicolo (rilevamento / riconoscimento / identificazione)	720m / 175m / 88m	1080m / 275m / 140m	1550m / 400m / 200m	2200m / 580m / 290m	3000m / 800m / 200m	3900m / 1060m / 540m

L'analisi radiometrica non influisce sulle prestazioni della telecamera.

17 Disegni tecnici

i Le misure indicate sono espresse in millimetri.

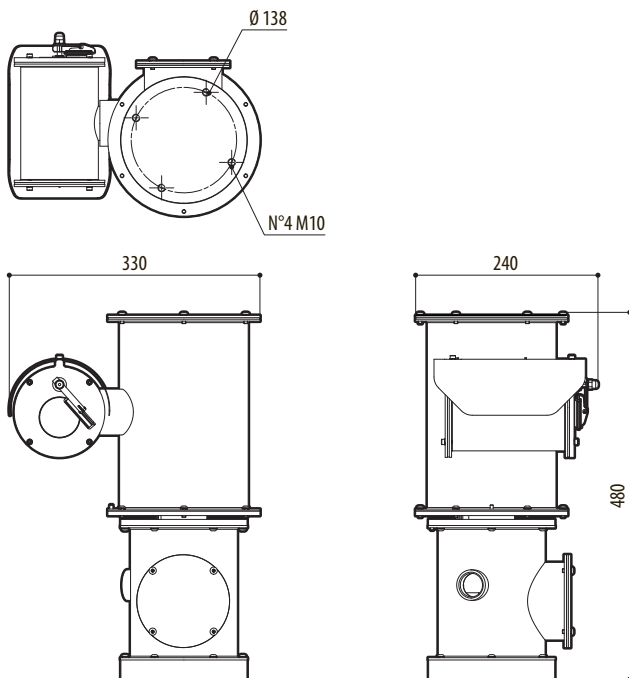


Fig. 24 NXPTZ SERIES2 (NXPTZHD).

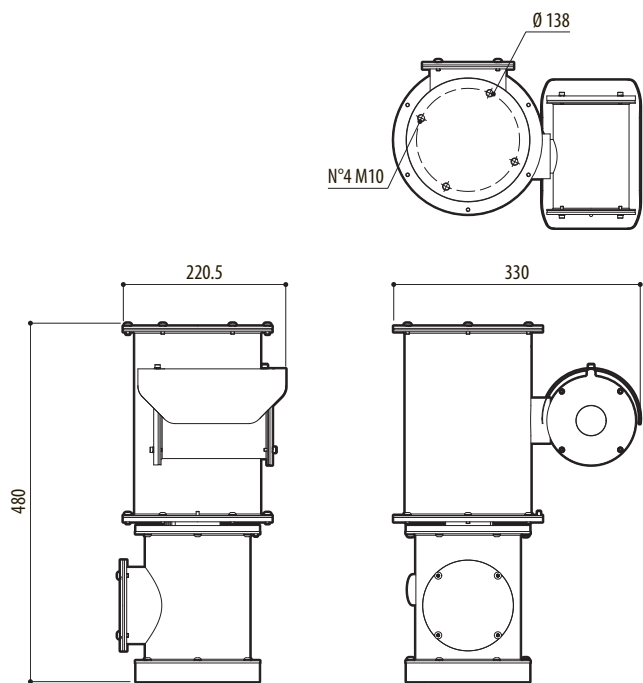


Fig. 25 NXPTZR SERIES2 (NXPTZR).

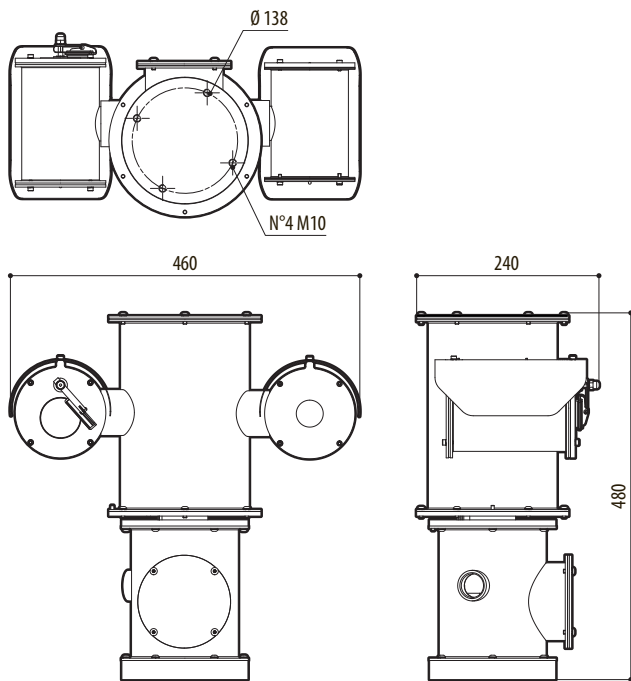


Fig. 26 NXPTZT SERIES2 (NXPTZT).



Headquarters Italy VIDEOTEC s.r.l.
Via Friuli, 6 - I-36015 Schio (VI) - Italy
Tel. +39 0445 697411 - Fax +39 0445 697414
Email: info@videotec.com
www.videotec.com

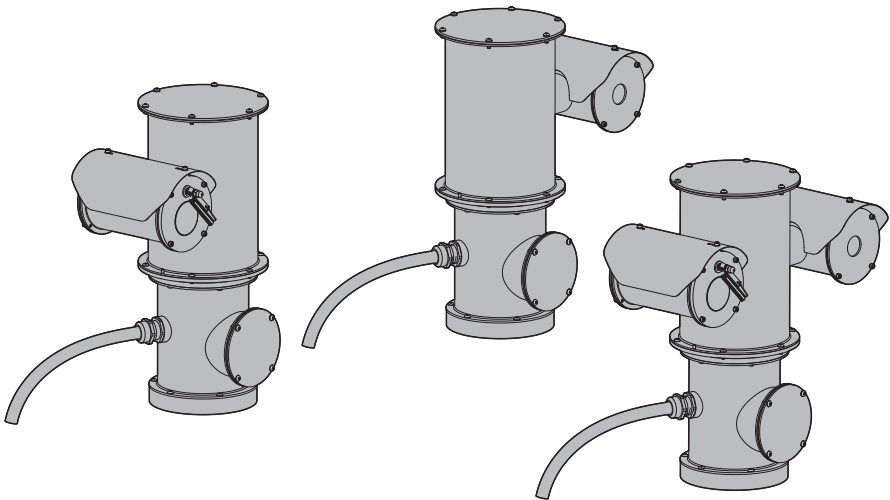
MNVCNXPTZ2_2222_IT

NXPTZ SERIES2 (NXPTZHD)

NXPTZR SERIES2 (NXPTZR)

NXPTZT SERIES2 (NXPTZT)

Caméra PTZ single ou dual vision, pour applications onshore/offshore maritimes et industrielles



Sommaire

1 À propos de ce mode d'emploi.....	7
1.1 Conventions typographiques.....	7
2 Notes sur le copyright et informations sur les marques de commerce.....	7
3 Normes de sécurité	7
4 Identification	10
4.1 Description et désignation du produit.....	10
4.2 Marquage du produit	10
4.2.1 Contrôle du marquage.....	10
5 Versions	11
5.1 Caméra Day/Night.....	11
5.2 Caméra thermique radiométrique	11
5.3 Dual Vision avec caméra Jour / Nuit et thermique radiométrique.....	11
5.4 Identification du modèle.....	12
6 Préparation du produit en vue de l'utilisation	14
6.1 Précautions de sécurité avant l'utilisation	14
6.2 Déballage.....	14
6.3 Contenu.....	14
6.4 Élimination sans danger des matériaux d'emballage.....	14
6.5 Opérations à effectuer avant l'installation	15
6.5.1 Fixation sur parapet ou plafond	15
6.5.2 Fixation avec support mural.....	16
6.5.3 Fixation avec poteau ou module adaptateur angulaire	16
6.5.3.1 Fixation avec poteau	16
6.5.3.2 Fixation avec module angulaire.....	17
6.5.4 Fixation du toit pare-soleil	17
7 Installation	18
7.1 Champ d'utilisation	18
7.2 Méthodes d'installation	18
7.3 Connexion de la ligne d'alimentation.....	19
7.4 Branchement du câble Ethernet.....	19
7.5 Branchement aux alarmes et aux relais	20
7.5.1 Branchement d'alarme avec contact sec.....	20
7.5.2 Branchement du relais	20
7.5.3 Branchement du système de lavage.....	20
8 Allumage	21
8.1 Premier allumage	21
9 Configuration.....	21
9.1 Adresse IP par défaut	21
9.2 Interface web.....	21
9.2.1 Premier accès aux pages web.....	21
10 Accessoires et supports	22

10.1	Système de lavage	22
10.2	Support pour montage sur parapet ou plafond	22
10.3	Support fixation murale	22
10.4	Adaptateur de fixation d'angle	23
10.5	Collier de fixation sur poteau	23
10.6	Adaptateur pour le raccordement de la fibre optique	23
11	Instructions de fonctionnement courant	24
12	Entretien	24
12.1	Maintenance ordinaire	24
12.1.1	Contrôle des câbles	24
12.2	Entretien extraordinaire	25
12.2.1	Remplacement des fusibles	25
12.2.2	Factory Default	25
13	Nettoyage	26
13.1	Nettoyage de la fenêtre	26
13.2	Nettoyage du produit	26
14	Informations sur l'élimination et le recyclage	26
15	Dépannage	26
16	Données techniques	27
16.1	NXPTZ SERIES2 (NXPTZHD)	27
16.1.1	Mécanique	27
16.1.2	Fenêtres pour caisson	27
16.1.3	Électrique	27
16.1.4	Réseau	27
16.1.5	Cybersecurity	27
16.1.6	Vidéo	27
16.1.7	Interface I/O	27
16.1.8	Caméras	28
16.1.9	Environnement	29
16.1.10	Certifications	29
16.1.11	Certifications - Applications marines	29
16.2	NXPTZR SERIES2 (NXPTZR)	29
16.2.1	Mécanique	29
16.2.2	Fenêtres pour caisson	29
16.2.3	Électrique	30
16.2.4	Réseau	30
16.2.5	Cybersecurity	30
16.2.6	Vidéo	30
16.2.7	Interface I/O	30
16.2.8	Caméras	31
16.2.9	Environnement	31
16.2.10	Certifications	31
16.2.11	Certifications - Applications marines	31
16.3	NXPTZT SERIES2 (NXPTZT)	31
16.3.1	Mécanique	31
16.3.2	Fenêtres pour caisson	31

16.3.3 Électrique.....	32
16.3.4 Réseau.....	32
16.3.5 Cybersecurity.....	32
16.3.6 Vidéo.....	32
16.3.7 Interface I/O.....	33
16.3.8 Caméras.....	33
16.3.9 Environnement.....	34
16.3.10 Certifications.....	34
16.3.11 Certifications - Applications marines.....	34
16.4 Caméras thermiques.....	35
17 Dessins techniques.....	37

1 À propos de ce mode d'emploi

Avant d'installer et d'utiliser ce produit, lire attentivement toute la documentation fournie. Garder le manuel à portée de main pour des consultations successives.

1.1 Conventions typographiques



DANGER!
Risque élevé.
Risque de choc électrique. Sauf indication contraire, sectionner l'alimentation avant de procéder à toute opération.



DANGER!
Danger mécanique.
Risque d'écrasement ou de cisaillement.



ATTENTION!
Risque moyen.
Opération extrêmement importante en vue d'un fonctionnement correct du système. Lire avec attention les opérations indiquées et s'y conformer rigoureusement.



REMARQUE
Description des caractéristiques du système.
Il est conseillé de procéder à une lecture attentive pour une meilleure compréhension des phases suivantes.

2 Notes sur le copyright et informations sur les marques de commerce

Les noms de produit ou de sociétés cités sont des marques de commerce ou des marques de commerce enregistrées.

ONVIF® est une marque enregistrée d'Onvif, Inc.

3 Normes de sécurité



ATTENTION! Le circuit électrique auquel l'unité est reliée doit être équipé d'un interrupteur de protection bipolaire automatique de 20A max. La distance minimale entre les de l'interrupteur de protection contacts doit être de 3mm. L'interrupteur doit être équipé de protection contre le courant de défaut vers la terre (différentiel) et le surintensité (magnétothermique).



L'installation électrique doit être équipée d'un sectionneur de réseau facile à reconnaître et à utiliser en cas de nécessité.



ATTENTION! Parties mobiles dangereux. Ne pas approcher les doigts ou d'autres parties du corps.



ATTENTION! L'installation et l'entretien du dispositif doivent être effectués exclusivement par un personnel technique qualifié.



ATTENTION! L'installation est du type TNV-1. Ne pas la connecter à des circuits SELV.



En cas de transport du dispositif, faire preuve d'une attention extrême. Tout arrêt brusque, dénivellations et chocs violents risque de l'endommager et d'entraîner des blessures.

- Le fabricant décline toute responsabilité pour les dommages éventuels dus à une utilisation non appropriée des appareils mentionnés dans ce manuel. On réserve en outre le droit d'en modifier le contenu sans préavis. La documentation contenue dans ce manuel a été rassemblée et vérifiée avec le plus grand soin. Le fabricant, cependant, ne peut assumer aucune responsabilité dérivant de l'emploi de celle là. La même chose vaut pour chaque personne ou société impliquées dans la création et la production de ce manuel.

- Sectionner l'alimentation avant de procéder à toute opération.
- Ne pas utiliser de câbles usés ou endommagés.
- Ne procéder sous aucun prétexte à des modifications ou des connexions non prévues dans ce manuel. L'utilisation d'appareils non adéquats peut comporter des dangers graves pour la sécurité du personnel et de l'installation.
- Utiliser uniquement des pièces de rechange d'origine. Les pièces non d'origine peuvent être source d'incendies, de choc électrique ou autres.
- Avant de procéder à l'installation, contrôler que le matériel fourni correspond à la commande et examiner les étiquettes de marquage (4.2 Marquage du produit, page 10).
- Cet appareil est conçu pour être fixé et relié de manière permanente sur un bâtiment ou une structure adéquate. L'appareil doit être fixé et relié de manière permanente avant d'effectuer toute opération.
- L'installation électrique doit être équipée d'un sectionneur de réseau facile à reconnaître et à utiliser en cas de nécessité.
- Ce produit appartient à la Classe A. Dans un milieu résidentiel ce produit peut être la cause de radioperturbations. Dans ce cas il est préférable de prendre des mesures appropriées.
- Il faut, uniquement pour les produits marqués UL alimentés à 24Vac, utiliser un transformateur isolé UL listed TNV/ES1, conforme aux normes IEC/UL 60950-1 et IEC/UL 62368-1.
- La catégorie d'installation (ou catégorie de surtension) spécifie les niveaux de la tension de secteur correspondant à l'appareil. La catégorie dépend du lieu d'installation et du dispositif de protection contre les surtensions installé. En cas d'environnement industriel directement connecté aux circuits de dérivation du système d'alimentation, l'équipement est classé dans la catégorie d'installation III. Dans ce cas, un déclassement à la catégorie II est nécessaire. Peut être obtenu au moyen d'un transformateur d'isolement avec blindage électrostatique entre le primaire et le secondaire ou en utilisant des dispositifs de protection contre les surtensions (SPD), UL listed, entre la phase et le neutre et entre le neutre et la terre. Les dispositifs SPD UL cités doivent être prévus pour limiter les surtensions transitoires en mode répétitif et pour les conditions nominales de fonctionnement suivantes: Type 2 (dispositifs SPD reliés en permanence au côté charge du côté du dispositif de protection contre les surintensités) ; courant nominal de décharge (In) 20kA min. Exemples d'utilisation possible: FERRAZ SHAWMUT, ST23401PG-CN, ST240SPG-CN spécifiés pour 120Vac/240Vca, (In=20kA). La distance maximale entre installation et réduction est de 5m.

- Les matériels sont destinés à être installés dans des EMPLACEMENTS À ACCÈS RESTREINT de la part d'un personnel technique spécialisé.
- Pour être conforme aux règlements sur les chutes et les coupures de tension d'alimentation, veuillez utiliser un onduleur (UPS) approprié pour alimenter l'appareil.
- Le branchement à la terre de sécurité doit être effectué conformément aux dispositions d'installation locales.
- La borne de terre disponible dans le produit doit être connecté en permanence à la terre.
- Pour assurer la protection contre le risque d'incendie, remplacer les fusibles avec le même type et valeur. Les fusibles doivent être remplacés seulement par un personnel qualifié.
- Raccorder le système à une source d'alimentation conforme à celle figurant sur l'étiquette de marquage du produit. Avant de procéder à l'installation, vérifier que la ligne électrique est sectionnée. La tension d'alimentation doit être comprise dans les limites ($\pm 10\%$).
- L'appareil comprend des parties mobiles. S'assurer que l'unité est positionnée dans une zone non accessible pendant le fonctionnement. Appliquer l'étiquette fournie avec l'appareil près de l'objet et en position visible.
- Appliquer l'étiquette Parties mobiles dangereuses près de l'unité. (Fig. 5, page 14).
- Ne pas utiliser l'appareil en présence de substances inflammables.
- L'entretien du dispositif doit uniquement être effectué par un personnel qualifié. Durant les opérations d'entretien, l'opérateur est exposé au risque d'électrocution ou autres.
- Utiliser uniquement les accessoires indiqués par le fabricant. Toute modification non approuvée expressément par le fabricant entraînera l'annulation de la garantie.
- Avant de brancher tous les câbles de signalisation, vérifier que l'unité est correctement branché à la terre.
- En cas de transfert du dispositif de l'installation, toujours débrancher le câble de terre en dernier.
- Adopter les précautions utiles pour éviter d'endommager l'appareil à la suite de décharges électrostatiques.
- Manipuler avec soin l'unité, toute sollicitation mécanique importante risque de l'endommager.
- Accorder une attention particulière aux distances d'isolement entre la ligne d'alimentation et tous les autres câbles, dispositifs de protection contre la foudre compris.

4 Identification

4.1 Description et désignation du produit

Caméra PTZ single ou dual vision, pour applications onshore/offshore maritimes et industrielles.

NXPTZ SERIES2 offre une haute résistance à la corrosion et ne demande pas d'entretien, grâce à la précision maximale adoptée dans les processus de construction et à la structure solide en acier inox AISI 316L avec des surfaces micro-grenailées et électropolies.

4.2 Marquage du produit



Une étiquette conforme au marquage CE est apposée sur le produit.

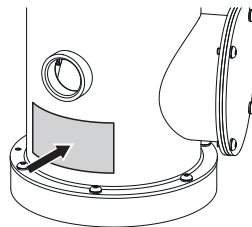


Fig. 1

L'étiquette indique:

- Code d'identification du modèle.
- Tension d'alimentation (Volt).
- Fréquence (Hertz).
- Courant absorbé (Ampere).
- Degré de protection (IP).
- Numéro de série.

4.2.1 Contrôle du marquage

Avant de procéder à l'installation, contrôler que le matériel fourni correspond à la commande et examiner les étiquettes de marquage.

Ne procéder sous aucun prétexte à des modifications ou des connexions non prévues dans ce manuel. L'utilisation d'appareils non adéquats peut comporter des dangers graves pour la sécurité du personnel et de l'installation.

Pour de plus amples informations sur les versions et sur la codification du produit, veuillez consulter le chapitre correspondant (5 Versions, page 11).

5 Versions

5.1 Caméra Day/Night

La version du produit avec caméra Jour / Nuit est équipée d'une caméra SONY ou d'une caméra à technologie Delux.

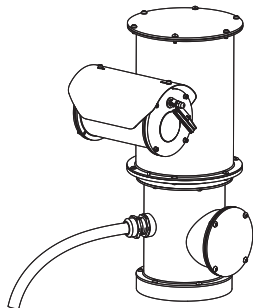


Fig. 2 NXPTZ SERIES2 (NXPTZHD).

5.2 Caméra thermique radiométrique

La version du produit avec caméra radiométrique est équipée d'une caméra sensible à la chaleur à fonctions radiométriques ou radiométriques avancées.

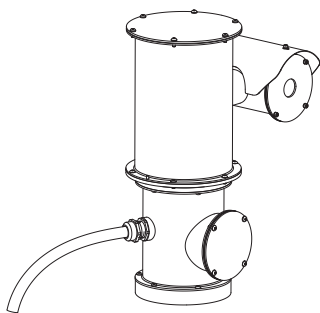


Fig. 3 NXPTZR SERIES2 (NXPTZR).

5.3 Dual Vision avec caméra Jour / Nuit et thermique radiométrique

La version du produit dual vision est équipée d'une caméra Jour / Nuit SONY et d'une caméra thermique à fonctions radiométriques ou radiométriques avancées.

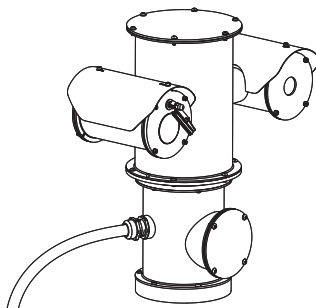


Fig. 4 NXPTZT SERIES2 (NXPTZT).

5.4 Identification du modèle

NXPTZ SERIES2 - CHOIX DES CONFIGURATIONS						
	Tension	Caméra		Options	Révision	
NXPTZHD	1 230Vac	1 Caméra Super Low-Light FullHD Jour/Nuit 30X zoom	VW0Z0	0 Sans fonctions de analyses vidéo intégrées (sans VIDEO-TEC ANALYTICS)	C Conforme à ONVIF, Profil Q, Profil S et Profil T	
	2 24Vac	2 Caméra SONY FCB-EV7520, FULL HD 1080p, 30x		V Avec fonctions de analyses vidéo intégrées (VIDEOTEC ANALYTICS)	J Conforme à ONVIF, Profil S et Profil T	
	3 120Vac					

Tab. 1 NXPTZ SERIES2 (NXPTZHD).

NXPTZR SERIES2 - CHOIX DES CONFIGURATIONS						
	Tension	Caméra Thermique	Options		Révision	Fréquence
NXPTZR	1 230Vac	Y 6.5° HFOV, Caméra thermique 50mm, 336x256	0 Caméra thermique avec fonctions radiométriques	0Z00	C Conforme à ONVIF, Profil Q, Profil S et Profil T	- 7.5Hz
	2 24Vac	A 9.3° HFOV, Caméra thermique 35mm, 336x256	R Caméra thermique avec fonctions radiométriques avancées		J Conforme à ONVIF, Profil S et Profil T	H 30Hz
	3 120Vac	B 13° HFOV, Caméra thermique 25mm, 336x256				
		V 17° HFOV, Caméra thermique 19mm, 336x256				
		F 25° HFOV, Caméra thermique 13mm, 336x256				
		C 35° HFOV, Caméra thermique 9mm, 336x256				
		W 12.4° HFOV, Caméra thermique 50mm, 640x512				
		D 18° HFOV, Caméra thermique 35mm, 640x512				
		E 25° HFOV, Caméra thermique 25mm, 640x512				
		U 32° HFOV, Caméra thermique 19mm, 640x512				
		G 45° HFOV, Caméra thermique 13mm, 640x512				
		H 69° HFOV, Caméra thermique 9mm, 640x512				

Tab. 2 NXPTZR SERIES2 (NXPTZR).

NXPTZT SERIES2 - CHOIX DES CONFIGURATIONS											
	Tension		Caméra Day/Night		Caméra thermique		Options		Révision	Fréquence	
NXPTZT	1	230Vac	2	Caméra SONY FCB-EV7520, FULL HD 1080p, 30x	Y	6.5° HFOV, Caméra thermique 50mm, 336x256	W	Caméra thermique avec fonctions radiométriques	OZ00	C Conforme à ONWIF, Profil Q, Profil S et Profil T	- 7.5Hz
	2	24Vac			A	9.3° HFOV, Caméra thermique 35mm, 336x256	R	Caméra thermique avec fonctions radiométriques avancées		J Conforme à ONWIF, Profil S et Profil T	H 30Hz
	3	120Vac			B	13° HFOV, Caméra thermique 25mm, 336x256					
					V	17° HFOV, Caméra thermique 19mm, 336x256					
					F	25° HFOV, Caméra thermique 13mm, 336x256					
					C	35° HFOV, Caméra thermique 9mm, 336x256					
					W	12.4° HFOV, Caméra thermique 50mm, 640x512					
					D	18° HFOV, Caméra thermique 35mm, 640x512					
					E	25° HFOV, Caméra thermique 25mm, 640x512					
					U	32° HFOV, Caméra thermique 19mm, 640x512					
					G	45° HFOV, Caméra thermique 13mm, 640x512					
					H	69° HFOV, Caméra thermique 9mm, 640x512					

Tab. 3 NXPTZT SERIES2 (NXPTZT).

6 Préparation du produit en vue de l'utilisation



Toute modification non approuvée expressément par le fabricant entraînera l'annulation de la garantie.

6.1 Précautions de sécurité avant l'utilisation



L'appareil comprend des parties mobiles. S'assurer que l'unité est positionnée dans une zone non accessible pendant le fonctionnement. Appliquer l'étiquette fournie avec l'appareil près de l'objet et en position visible.



Fig. 5

6.2 Déballage

Lors de la livraison du produit, vérifier que l'emballage est en bon état et l'absence de tout signe évident de chute ou d'abrasion.

En cas de dommages évidents, contacter immédiatement le fournisseur.

En cas de retour du produit défectueux, il est conseillé d'utiliser l'emballage original pour le transport.

Conserver l'emballage en cas de nécessité d'expédition du produit pour réparation.

6.3 Contenu

Contrôler que le contenu correspond à la liste matériel indiquée ci-dessous:

- Unité de positionnement
- Double toit (2 toits pare-soleil dans la version avec double caméra)
- Vis
- Kit du système de lavage
- Étiquette (ATTENTION: Parties mobiles dangereux)
- Clé Allen
- Manuel d'instructions

6.4 Élimination sans danger des matériaux d'emballage

Le matériel d'emballage est entièrement composé de matériaux recyclables. Le technicien chargé de l'installation est tenu de l'éliminer conformément aux dispositions en matière de collecte sélective et selon les normes en vigueur dans le pays d'utilisation.

6.5 Opérations à effectuer avant l'installation

ATTENTION! L'installation et l'entretien du dispositif doivent être effectués exclusivement par un personnel technique qualifié.

Effectuer l'installation en utilisant des outils adéquats. Le lieu dans lequel le dispositif est installé peut toutefois exiger l'utilisation d'outils spécifiques.

Choisir une surface d'installation suffisamment résistante et adaptée pour soutenir le poids de l'appareil, en tenant compte des conditions particulières du milieu, comme l'exposition à des vents forts.

Installer l'appareil de façon à éviter les accidents causés par le contact avec des parties en mouvement, en faisant en sorte que ces parties ne se heurtent pas à d'autres objets, créant des situations dangereuses.

Avant d'alimenter l'appareil, s'assurer qu'il est solidement fixé.

Pour l'assistance techniques, s'adresser exclusivement à du personnel technique agréé.

i Etant donné que l'utilisateur est responsable du choix de la surface de fixation, le fabricant ne fournit pas dans la livraison les dispositifs de fixation de l'unité à la surface. L'installateur est donc responsable de choisir des dispositifs adaptés à la surface à disposition.

L'unité peut être installée avec différents étriers et supports.

Il est conseillé d'utiliser exclusivement des étriers et des accessoires approuvés pour l'installation.

6.5.1 Fixation sur parapet ou plafond

i En cas de montage sur plafond, activer via l'interface Web, le mode de Montage sur Plafond (manuel Interface Web, Page Paramètres de Mouvement).

Fixer l'adaptateur (01) au fond de l'unité à l'aide des 4 vis à tête fraisée plane (02) à six pans creux M10x20mm en acier inox (A4 classe 70) fournies.

S'assurer qu'il n'y ait pas de saleté ou de résidus dans les taraudages.

Appliquer une bonne quantité de colle frein filet (Loctite 270) sur les 4 trous taraudés présents sur le fond de la base de l'appareil.

ATTENTION! Faire attention pendant la fixation. Couple de serrage: 35Nm.

Laisser agir la colle frein filet pendant une heure avant de terminer l'installation.

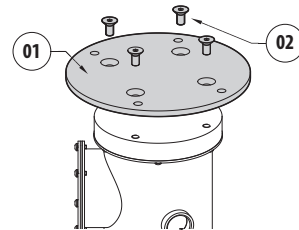


Fig. 6

Fixer l'unité assemblée au parapet ou au plafond en se servant des trous externes de l'adaptateur. Utiliser des vis pouvant soutenir un poids au moins 4 fois supérieur à celui de l'unité.

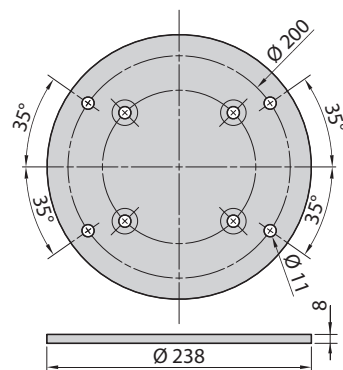


Fig. 7

6.5.2 Fixation avec support mural

Le support peut être fixé directement sur un mur vertical. Utiliser des vis et des dispositifs de fixation murale pouvant soutenir un poids au moins 4 fois supérieur à celui de l'unité.

Pour fixer le dispositif à l'étrier, utiliser 4 rondelles pleines, 4 rondelles à dents en acier inox et 4 vis à tête hexagonale en acier inox (A4 classe 70) de M10x20 mm fournie.

S'assurer qu'il n'y ait pas de saleté ou de résidus dans les taraudages.

Appliquer une bonne quantité de colle frein filet (Loctite 270) sur les 4 vis.

Serrer les vis.

⚠ Faire attention pendant la fixation. Couple de serrage: 35Nm.

Laisser agir la colle frein filet pendant une heure avant de terminer l'installation.

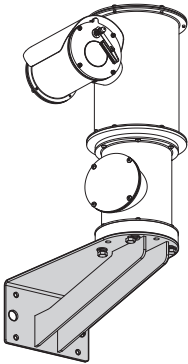


Fig. 8

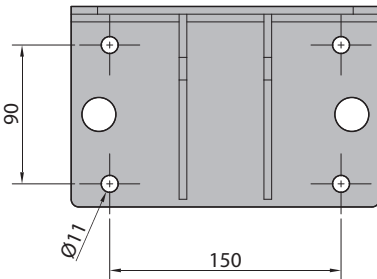


Fig. 9

6.5.3 Fixation avec poteau ou module adaptateur angulaire

Pour installer le produit sur la fixation pour poteau ou face à un angle, il faut d'abord fixer l'unité au support mural (6.5.2 Fixation avec support mural, page 16).

6.5.3.1 Fixation avec poteau

Pour fixer l'étrier de support mural à la fixation pour poteau, utiliser 4 rondelle plates, 4 rondelles grower en inox et 4 vis à tête hexagonale en acier inox (A4 classe 70) M10x30mm fournies.

S'assurer qu'il n'y ait pas de saleté ou de résidus dans les taraudages.

Appliquer une bonne quantité de produit de freinage du filetage (Loctite 270) sur les 4 trous filetés présents sur le support à la fixation pour poteau.

Serrer les vis.

⚠ Faire attention pendant la fixation. Couple de serrage: 35Nm.

Laisser agir la colle frein filet pendant une heure avant de terminer l'installation.

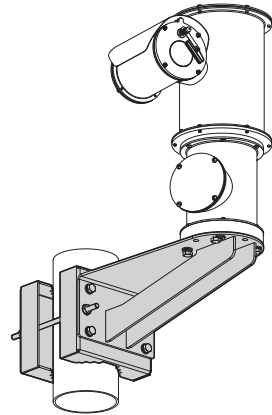


Fig. 10

6.5.3.2 Fixation avec module angulaire

Pour fixer l'étrier de support mural au module adaptateur angulaire, utiliser 4 rondelle plates, 4 rondelles grower en inox et 4 vis à tête hexagonale en acier inox (A4 classe 70) M10x30mm fournies.

S'assurer qu'il n'y ait pas de saleté ou de résidus dans les taraudages.

Appliquer une bonne quantité de produit de freinage du filetage (Loctite 270) sur les 4 trous filetés présents sur le module angulaire.

Serrer les vis.

⚠ Faire attention pendant la fixation. Couple de serrage: 35Nm.

Laisser agir la colle frein filet pendant une heure avant de terminer l'installation.

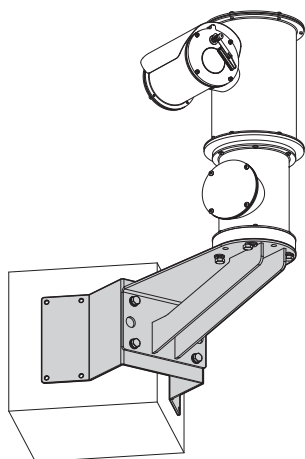


Fig. 11

6.5.4 Fixation du toit pare-soleil

Il est possible de fixer le toit au caisson en utilisant les vis fournies.

Appliquer une bonne quantité de colle frein filet (Loctite 270) sur les trous taraudés.

⚠ Faire attention pendant la fixation. Couple de serrage: 2Nm.

Laisser agir la colle frein filet pendant une heure avant de terminer l'installation.

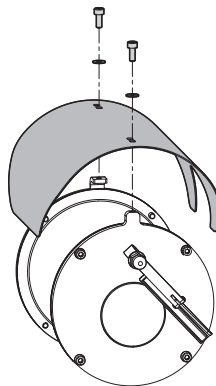


Fig. 12

7 Installation



ATTENTION! L'installation et l'entretien du dispositif doivent être effectués exclusivement par un personnel technique qualifié.



Sectionner l'alimentation avant de procéder à toute opération.



Lors de la mise en marche, le système effectue une série de mouvements d'étalonnages automatiques: ne pas stationner près de l'appareil au moment de l'allumage.



VIDEOTECH conseille de tester la configuration et les performances de l'appareils avant de placer celui-ci sur le lieu d'installation définitive.



Le produit est muni d'un câble multipolaire qui permet d'effectuer les branchements.

7.1 Champ d'utilisation

Température d'installation: de -40°C (-40°F) jusqu'à +65°C (149°F).

Température de fonctionnement: de -40°C (-40°F) jusqu'à +65°C (149°F).

7.2 Méthodes d'installation

L'unité ne peut être installée que dans la position standard ou inversée (montage au plafond). Si elle est installée dans cette dernière position, la reconfiguration des fonctions d'orientation et de contrôle de la caméra a lieu à l'aide du logiciel de système.

Le fonctionnement en position inversée n'exige aucune modification du matériel hardware.

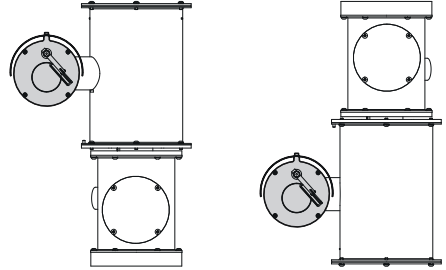




Fig. 13

7.3 Connexion de la ligne d'alimentation

 **Il faut effectuer les connexions électriques en absence d'alimentation et lorsque le dispositif de sectionnement ouvert.**

 **Contrôler que les sources d'alimentation et les câbles de branchement sont en mesure de supporter la consommation du système.**

 **Vérifier que la source et le câble d'alimentation sont adéquatement dimensionnés.**

Selon la version, différentes tensions d'alimentation peuvent être fournies au dispositif. La valeur de tension d'alimentation est reportée sur l'étiquette d'identification du produit (4.2 Marquage du produit, page 10).

Le câble multipolaire contient les câbles d'alimentation et de mise à la terre.

Effectuer les branchements selon ce qui est décrit dans le tableau.

CONNEXION DE LA LIGNE D'ALIMENTATION	
Couleur du câble	Description
Alimentation 24Vac	
Noir 2	(N) Neutre
Noir 1	(L) Phase
Jaune/Vert	Prise de terre de sécurité
Alimentation 230Vac	
Noir 2	(N) Neutre
Noir 1	(L) Phase
Jaune/Vert	Prise de terre de sécurité
Alimentation 120Vac	
Noir 2	(N) Neutre
Noir 1	(L) Phase
Jaune/Vert	Prise de terre de sécurité

Tab. 4

7.4 Branchement du câble Ethernet

 **La tresse du câble Ethernet du côté utilisateur doit toujours être branchée à la terre à travers le connecteur.**

Utiliser un connecteur RJ45 de type blindé pour le sertissage du câble Ethernet.

Effectuer les branchements selon ce qui est décrit dans le tableau (conforme au standard: TIA/EIA-568-B).

BRANCHEMENT DU CÂBLE DE RÉSEAU ETHERNET	
Numéro du pin	Couleur du câble
1	Orange-Blanc
2	Orange
3	Vert-Blanc
4	Bleue
5	Bleue-Blanc
6	Vert
7	Marron-Blanc
8	Marron

Tab. 5

Une installation type est représentée ci-dessus.

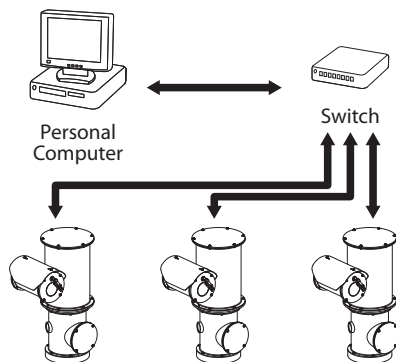


Fig. 14

7.5 Branchement aux alarmes et aux relais

L'unité est équipée des alarmes et des relais reportés dans le tableau.

BRANCHEMENT AUX ALARMES ET AUX RELAIS	
Couleur du câble	Description
Rouge-Bleue	Relais 1, A
Gris-Rose	Relais 1, B
Marron-Vert	Relais 2, A
Blanc-Vert	Relais 2, B
Vert	Alarme commune, COM
Marron	Alarme 1 (contact sec), AL1
Blanc-Jaune	Alimentation de l'entrée de réinitialisation
Noir	Entrée de reset

Tab. 6

⚠ Procéder à l'isolation électrique de tous les câbles non branchés et non indiqués dans le tableau car dépourvus de fonction.

7.5.1 Branchement d'alarme avec contact sec

En cas d'alarme avec contact sec (alarme AL1), effectuer le branchement comme illustré sur la figure.

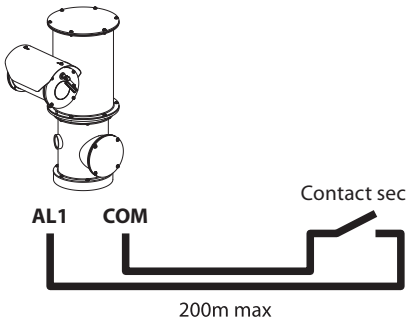


Fig. 15

Le contact sec peut être de type NO (normalement ouvert) ou encore NC (normalement clos).

Pour d'autres renseignements se référer à le chapitre relatif (manuel Interface Web, Page I/O Numériques).

i **Toutes les alarmes ont une portée de 200m max pouvant être obtenue à travers un câble blindé avec une section minimale de 0.25mm² (23AWG).**

7.5.2 Branchement du relais

⚠ Le relais est utilisable avec les spécifications ci-après. Tension de travail: jusqu'à 30Vac ou 60Vdc. Courant: 1A max. Utiliser des câbles d'une section adéquate avec les caractéristiques suivantes: de 0.25mm² (23AWG) jusqu'à 1.5mm² (15AWG).

À cause de l'absence de polarité, les deux terminaux d'un même relais peuvent être raccordés indifféremment avec des courants alternatifs ou continus.


7.5.3 Branchement du système de lavage

i **Pour de plus amples informations sur la configuration et l'utilisation, consulter le manuel de l'accessoire correspondant.**

Quand l'installation de lavage s'active, le relais 2 signale l'activation de la pompe (7.5 Branchement aux alarmes et aux relais, page 20).

Pour la configuration, consulter le manuel correspondant (9.2 Interface web, page 21).

8 Allumage

-  La procédure de préchauffage automatique (De-Ice) peut être activée chaque fois que le dispositif est mis en fonction à une température ambiante inférieure à 0°C. La procédure permet de garantir un fonctionnement correct du dispositif également à basse température. La durée varie en fonction des conditions climatiques (de 60 minutes jusqu'à 120 minutes).

Il suffit de brancher l'alimentation électrique pour allumer l'unité.

Débrancher l'alimentation électrique pour éteindre l'unité.

8.1 Premier allumage

-  S'assurer que l'unité et les autres composants de l'installation sont fermés correctement afin d'éviter le contact avec des parties sous tension.

-  Ne pas stationner à proximité du dispositif sous tension. N'intervenir sur le dispositif qu'avec l'alimentation coupée.

9 Configuration

9.1 Adresse IP par défaut

-  L'appareil est configuré pour obtenir l'adresse IP depuis un serveur DHCP.

L'adresse IP acquise via DHCP est visible dans le fichier journal du serveur DHCP.

En cas d'indisponibilité du serveur DHCP, l'appareil se configure automatiquement avec une adresse IP autogénérée dans le sous-réseau 169.254.x.x/16. Configurez l'adresse IP du PC comme appartenant au même sous-réseau (exemple: adresse IP: 169.254.1.1, subnet mask: 255.255.0.0).

Pour rechercher l'adresse IP du dispositif, utiliser un VMS compatible ONVIF ou un renifleur de réseau (IP scan utility).

9.2 Interface web

-  Logiciels de navigation supportés (la dernière version): Microsoft Edge, Google Chrome, Mozilla Firefox.

9.2.1 Premier accès aux pages web

La première opération pour configurer le dispositif consiste en la connexion à son interface web.

Pour accéder à l'interface Web du produit, il suffit de se connecter avec un navigateur à l'adresse: <http://adresse IP>.

La page d'accueil sera affichée au premier accès.

Pour la configuration de l'interface Web, consulter le manuel de la version du firmware installé, disponible sur la page web du produit, sur le site www.videotec.com.

10 Accessoires et supports

i Pour plus d'informations sur la configuration et l'utilisation, reportez-vous au manuel de l'accessoire ou du support concerné.

10.1 Système de lavage

Le produit peut être équipé d'une pompe externe qui fournit l'eau pour nettoyer la vitre.

Pour compléter l'installation du système de lavage utilisez le kit en dotation.

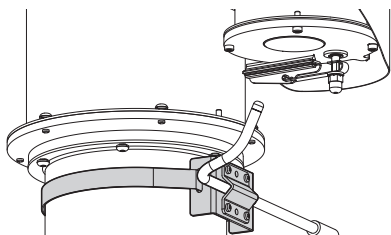


Fig. 16

i Pour d'autres renseignements se référer à le chapitre relatif (9.2 Interface web, page 21).

10.2 Support pour montage sur parapet ou plafond

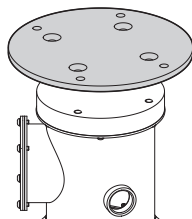


Fig. 17 NXPTZW.

10.3 Support fixation murale

Support pour installation murale.

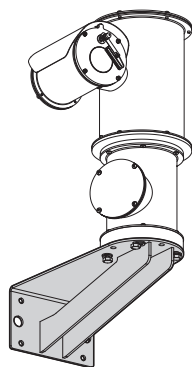


Fig. 18 NXPTZWB.

10.4 Adaptateur de fixation d'angle

Adaptateur d'angle.

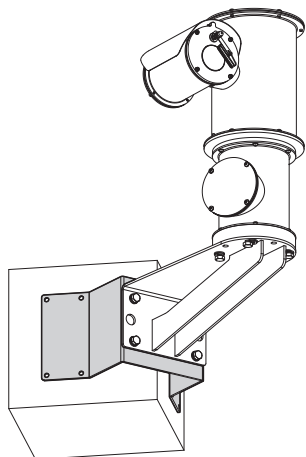


Fig. 19 NXPTZCW.

10.5 Collier de fixation sur poteau

Adaptateur pour poteau.

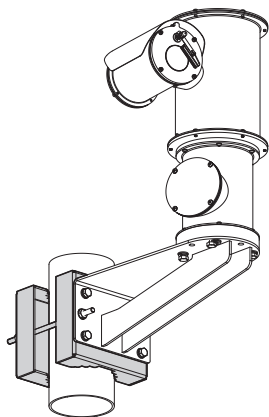


Fig. 20 NXPTZCOL.

10.6 Adaptateur pour le raccordement de la fibre optique

Adaptateur pour le raccordement de la fibre optique.

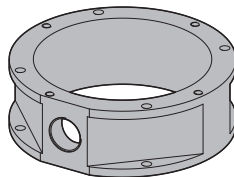


Fig. 21 NXPTZSFP.

11 Instructions de fonctionnement courant



Ne pas utiliser l'essuie-glace si la température ambiante est inférieure à 0°C ou en présence de glace.



L'essuie-glace est exclu de façon automatique si on le laisse allumé.

Le contrôle du dispositif peut être effectué selon différentes modalités:

- À l'aide des contrôles utilisateur de l'interface web (9.2 Interface web, page 21).
- À l'aide du Video Management Software (VMS) qui supporte le protocole ONVIF. Dans ce cas, les commandes spéciales sont implémentées à l'aide des commandes auxiliaires du protocole ONVIF.
- À l'aide du logiciel PTZ Assistant (le logiciel PTZ Assistant peut être téléchargé librement sur la page web du produit, sur le site : www.videotec.com).

12 Entretien



Sectionner l'alimentation électrique avant toute intervention technique sur l'appareil.



ATTENTION! L'installation et l'entretien du dispositif doivent être effectués exclusivement par un personnel technique qualifié.



Le fabricant décline toute responsabilité en cas de dommage, de tous les appareils mentionnés dans ce manuel, dérivant d'une manipulation, de l'utilisation de pièces détachées non originales, d'installation, de manutention ou d'entretien effectué par un personnel non qualifié.



En cas de dommages, le remplacement ou la réparation des parties concernées doit être effectuée par VIDEOTEC ou sous sa surveillance.



Tout remplacement des pièces indiquées doit être effectué en utilisant uniquement des pièces de rechange originales VIDEOTEC, en suivant scrupuleusement les instructions d'entretien annexées avec chaque kit de rechange.



Pour toute intervention de maintenance, il est conseillé de rapporter le produit en atelier pour effectuer les opérations nécessaires.

Lorsque vous contactez le service technique de VIDEOTEC, il est nécessaire de fournir le numéro de série et le code d'identification du modèle.

12.1 Maintenance ordinaire

12.1.1 Contrôle des câbles

Les câbles ne doivent présenter aucun signe d'usure ou d'endommagement pouvant entraîner des situations de danger. Le cas échéant, effectuer une intervention d'entretien correctif.

12.2 Entretien extraordinaire

12.2.1 Remplacement des fusibles

⚠ Il faut effectuer l'entretien en absence d'alimentation et lorsque le dispositif de sectionnement ouvert.

⚠ **ATTENTION!** Pour assurer la protection contre le risque d'incendie, remplacer les fusibles avec le même type et valeur. Les fusibles doivent être remplacés seulement par un personnel qualifié.

En cas de besoin, on peut remplacer les fusibles de la carte connecteurs à l'intérieur du compartiment de connexion.

Dévissez les vis et enlevez le couvercle.

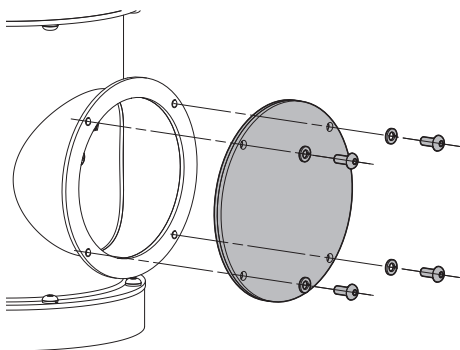


Fig. 22

Les nouveaux fusibles devraient respecter les indications fournies dans le tableau.

REPLACEMENT DES FUSIBLES		
Tension d'alimentation	Fusible (F1)	Fusible (F2)
24Vac, 50/60Hz	T 4A H 250V 5x20	T 4A H 250V 5x20
120Vac, 50/60Hz	T 2A H 250V 5x20	T 4A H 250V 5x20
230Vac, 50/60Hz	T 2A H 250V 5x20	T 4A H 250V 5x20

Tab. 7

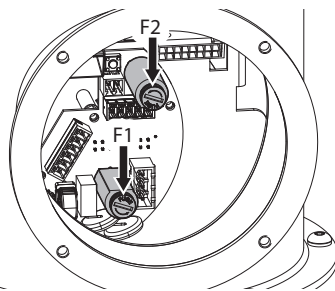


Fig. 23

Au terme des opérations refermer le produit.

⚠ **Faire attention pendant la fixation. Couple de serrage: 1.5Nm (±0.2Nm).**

12.2.2 Factory Default

⚠ Si le mot de passe d'accès n'est plus disponible, il est possible de rétablir les programmations d'usine à travers une procédure de réinitialisation.

Pour restaurer les configurations d'usine relatives au réseau, à l'accès utilisateurs et à la configuration de la chambre, suivre la procédure:

- Éteindre l'unité.
- Brancher, en utilisant un contact sec, le signal de réinitialisation (câble noir) et l'alimentation correspondante (câble blanc-jaune).
- Allumer l'unité.
- Attendre 2 minutes.
- Éteindre l'unité.
- Ouvrir le contact entre reset et l'alimentation correspondante.
- Allumer l'unité.

i Une fois la procédure de standard usine terminée, il faut configurer l'unité selon la description du chapitre correspondant: 9.1 Adresse IP par défaut, page 21.

13 Nettoyage



La fréquence des interventions dépend du type d'environnement dans lequel le caisson est utilisé.

13.1 Nettoyage de la fenêtre



On doit éviter alcool éthylique, solvants, hydrocarbures hydro-génés, acides forts et alcali. L'emploi de ce type de produits abîme d'une façon irréparable la surface traitée.

Il est conseillé d'utiliser un chiffon souple avec des savons neutres dilués avec de l'eau ou des produits spécifiques pour le nettoyage des verres des lunettes.

13.2 Nettoyage du produit

Effectuer le nettoyage avec un chiffon humide et ne pas utiliser d'air comprimé.

14 Informations sur l'élimination et le recyclage

La Directive Européenne 2012/19/UE sur les déchets d'équipements électriques et électroniques (DEEE) exige que ces dispositifs ne doivent pas être éliminés dans le flux normal de déchets solides municipaux, mais ils doivent être collectés séparément afin d'optimiser le flux de récupération et de recyclage des matériaux qu'ils contiennent et pour réduire l'impact sur la santé humaine et l'environnement en raison de la présence de substances potentiellement dangereuses.



Le symbole de la poubelle sur roues barrée d'une croix figure sur tous les produits pour le rappeler.

Les déchets peuvent être livrés aux centres de collecte appropriés ou peuvent être livrés gratuitement au distributeur où vous avez acheté l'équipement, au moment de l'achat d'un nouvel dispositif équivalent ou sans obligation d'achat pour un équipement de taille inférieure de 25cm.

Pour plus d'informations sur l'élimination correcte de ces dispositifs, vous pouvez contacter le service public responsable.

15 Dépannage



Pour tout problème non décrit ou en cas de problèmes persistants, contacter le centre d'assistance agréé.

PROBLÈME	Le produit ne s'allume pas.
CAUSE	Câblage incorrect, rupture des fusibles.
SOLUTION	Vérifier les connexions. Vérifié la continuité des fusibles et les remplacer avec les modèles indiqués en cas de panne.

PROBLÈME	L'aire filmée ne correspond pas à la position de preset rappelée.
CAUSE	Perte de référence de position absolue.
SOLUTION	Exécuter la procédure de calibrage du dispositif ou réinitialiser l'unité en l'éteignant et en la rallumant.

PROBLÈME	Le dispositif ne bouge pas durant la phase de démarrage.
CAUSE	La température ambiante est trop basse.
SOLUTION	Attendre la fin de la procédure de préchauffage. Sur la page, on voit apparaître le message suivant: procédure de De-Ice en cours.

16 Données techniques

16.1 NXPTZ SERIES2 (NXPTZHD)

16.1.1 Mécanique

Aucun jeu mécanique

Câble multipolaire préinstallé (3m, des longueurs différentes sont disponibles sur demande)

Rotation horizontale: 360°, rotation continue

Rotation verticale: de -90° jusqu'à +90°

Vitesse horizontale (variable): de 0.1°/s jusqu'à 100°/s

Vitesse verticale (variable): de 0.1°/s jusqu'à 100°/s

Précision du rappel des positions de preset: 0.02°

Essuie-glace intégré

Poids net: 22kg

16.1.2 Fenêtres pour caisson

Fenêtre en verre extra-clair

- Épaisseur: 5mm

16.1.3 Électrique

Tension d'alimentation/Courant absorbé:

- 230Vac \pm 10%, 0.5A max, 50/60Hz
- 120Vac \pm 10%, 1A max, 50/60Hz
- 24Vac \pm 10%, 5A max, 50/60Hz

Puissance absorbée:

- 120W max
- 30W, tourelle à l'arrêt, chauffage éteint

16.1.4 Réseau

Port RJ45

- Connexion Ethernet: 10BASE-T/100BASE-T

Slot SFP (SMALL FORM FACTOR PLUGGABLE)

- Connexion Ethernet: 100BASE-FX
- Tension d'alimentation: 3.3V
- Standard: conforme MSA

Le module SFP (non fourni par VIDEOTEC) doit répondre aux exigences ci-après :

- Laser: Class 1, conforme à la norme EN60825-1
- Certification: UL/IEC 60950-1 ou UL/IEC 62368-1

16.1.5 Cybersecurity

Firmware à signature numérique

Restriction d'accès par mot de passe (Digest HTTP)

Support de plusieurs niveaux d'accès des utilisateurs

Contrôle d'accès IEEE 802.1X

Cryptage HTTPS avec TLS1.0, TLS1.1, TLS1.2 et TLS1.3

Gestion centralisée des certificats

Conforme aux spécifications du service de sécurité ONVIF

16.1.6 Vidéo

Encodeur vidéo

- Protocole de communication: ONVIF, Profil Q, Profil S et Profil T
- Configuration du dispositif: TCP/IPv4-IPV6, UDP/IPv4-IPV6, HTTP, HTTPS, NTP, DHCP, WS-DISCOVERY, DSCP, IGMP (Multicast), SOAP, DNS
- Streaming: RTSP, RTCP, RTP/IPv4-IPV6, HTTP, Multicast
- Compression vidéo: H.264/AVC, MJPEG, MPEG4, snapshot JPEG
- 3 flux vidéo indépendants Full HD
- Résolution de l'image: de 320x180pixel jusqu'à 1920x1080pixel en 8 étapes
- Frame rate sélectionnable de 1 à 60 images par seconde (fps)
- Serveur Web
- OSD directionnel (maximum 4 zones réglables)
- Motion Detection
- Analyses vidéo: VIDEOTEC ANALYTICS (en option)
- QoS: DSCP différenciés pour le streaming et la gestion du périphérique
- Protocoles SNMP et NTCIP

16.1.7 Interface I/O

I/O carte d'alarme:

- Entrées d'alarme: 1
- Sorties relais: 1+1 (1 relais réservé à la pompe du lave-glace et une configurable, 1A, 30Vac/60V dc max)

Entrée pour réinitialisation à distance: 1

16.1.8 Caméras

SONY FCB-EV7520 Day/Night Full HD 30x

Résolution: Full HD 1080p (1920x1080)

Capteur d'image: 1/2.8" Exmor™ R CMOS sensor

Pixels effectifs: environ 2.13 Megapixels

Éclairage minimum:

- Couleur: 0.0013lx (50 IRE, High sensitivity on)
- B/W: 0.0008lx (30 IRE, High sensitivity on)

Longueur focale: de 4.3mm (wide) jusqu'à 129mm (télé)

Zoom:

- 30x
- 36x, avec Stable Zoom activé

Zoom numérique: 12x

Iris: de F1.6 jusqu'à F14 (Auto, Manuel)

Angle de vision horizontal: de 63.7° (wide end) jusqu'à 2.3° (tele end)

Angle de vision vertical: de 38.5° (wide end) jusqu'à 1.3° (tele end)

Vitesse d'obturation: de 1/1s jusqu'à 1/10000s (Auto, Manuel)

Équilibrage du blanc: Auto, Auto Tracing, Indoor, Outdoor, Manuel, Outdoor Auto, Sodium Lamp (Fix/Auto/Outdoor Auto)

Gain: de 0dB jusqu'à 50.0dB (Auto, Manuel)

Wide Dynamic Range: 120dB

Système Focus: Auto (PTZ Trigger, Full Auto), Manuel

Effets Image: E-flip

Réduction du bruit (2D, 3D): Off, On (de niveau 1 jusqu'à niveau 5)

Contrôle Exposition: Auto, Manuel, Priorité (Priorité shutter, Priorité iris, Priorité à la luminosité)

De-fog: Off, Low, Mid, High

Masquage dynamique des zones de confidentialité (PTZ): maximum 24 masques configurables, 8 affichables en simultané

Masquage des zones de confidentialité (caméras): maximum 8 masques configurables

Indoor Flicker Reduction

Limite du Gain: de 10.7dB jusqu'à 50dB

High sensitivity: On/Off

Compensation Backlight: On/Off

Auto Slowshutter: On/Off

Compensation exposition: Off, On (de -10.5dB jusqu'à +10.5dB)

Netteté: de niveau 0 jusqu'à niveau 15

High Light Compensation (HLC): Off, Low, Mid, High, Niveau de Masquage (Off, On, de niveau 1 jusqu'à niveau 15)

Stabilisation image digitale: On/Off

Day/Night Full HD 30x DELUX

Résolution: Full HD 1080p (1920x1080)

Capteur d'image: 1/2.8" Exmor™ R CMOS sensor

Pixels effectifs: environ 2.38 Megapixels

Éclairage minimum:

- Couleur: 0.006lx (F1.6, 30 IRE)
- B/W: 0.0006lx (F1.6, 30 IRE)

Longueur focale: de 4.5mm (wide) jusqu'à 135mm (télé)

Zoom: 30x (480x avec le zoom numérique)

Iris: de F1.6 jusqu'à F9.6 (Auto, Manuel)

Angle de vision horizontal: de 61.60° (wide end) jusqu'à 2.50° (tele end)

Angle de vision vertical: de 37.07° (wide end) jusqu'à 1.44° (tele end)

Vitesse d'obturation: de 1/1s jusqu'à 1/10000s (Auto, Manuel)

Équilibrage du blanc: Auto, Manuel

Gain: de 0dB jusqu'à 100dB (Auto, Manuel)

Wide Dynamic Range: 120dB

Système Focus: Auto, Manuel, Trigger

Effets Image: E-flip, Renforcement Couleur

Réduction du bruit: 2D (3 niveaux), 3D (3 niveaux)

Contrôle Exposition: Auto, Manuel, Priorité (Priorité Iris, Priorité Shutter), Luminosité, Custom

De-fog: On/Off

Masquage des zones de confidentialité: maximum 8 masques configurables

Indoor Flicker Reduction

Auto Slowshutter: Off, On (de 1/30s jusqu'à 1/1s)

Compensation exposition: Off, On (de niveau 0 jusqu'à niveau 14)

Netteté: de niveau 0 jusqu'à niveau 3

16.1.9 Environnement

Installation d'intérieur et d'extérieur

Température de fonctionnement

- Fonctionnement continu: de -40°C jusqu'à +65°C
- Essai de température conforme à NEMA-TS 2-2003 (R2008) paragr. 2.1.5.1, profil de test fig. 2-1 (de -34°C jusqu'à +74°C) (non applicable aux versions avec VIDEOTEC ANALYTICS)
- Intervention de la fonction de dégivrage (départ à froid): de -40°C jusqu'à -10°C

Humidité relative: de 5% jusqu'à 95%

16.1.10 Certifications

Sécurité électrique (CE): EN60950-1, IEC60950-1, EN62368-1, IEC62368-1

Compatibilité électromagnétique (CE): EN50130-4, EN55032 (Classe A), EN61000-6-4, EN61000-3-2, EN61000-3-3

Installation à l'extérieur (CE): EN60950-22, ICE60950-22

Degré de protection IP (EN/IEC60529): IP66, IP67, IP68, IP69

Certification UL (UL60950-1, CAN/CSA C22.2 No. 60950-1-07, UL62368-1, CAN/CSA C22.2 No. 62368-1-14): cULus Listed (uniquement pour version en 24Vac)

Compatibilité électromagnétique (Amérique du Nord): FCC part 15 (Classe A), ICES-003 (Classe A)

Degré de protection Type (UL50E): 4X (uniquement pour version en 24Vac)

Certification EAC

RoHS (CE): EN IEC 63000

Waste Electrical and Electronic Equipment (WEEE), Directive 2012/19/EU

16.1.11 Certifications - Applications marines

Certification Lloyd's Register Marine Type Approval (les versions 24Vac et 120Vac ont besoin de filtre accessoire FM1010):

- Test Specification Number 1 (ENV1, ENV2, ENV3, ENV5)

Compatibilité électromagnétique: EN60945

Résistant à la brume saline: EN60068-2-52

Éprouvé à 70°C pendant 16 heures conformément à la norme EN60068-2-2

16.2 NXPTZR SERIES2 (NXPTZR)

16.2.1 Mécanique

Aucun jeu mécanique

Câble multipolaire préinstallé (3m, des longueurs différentes sont disponibles sur demande)

Rotation horizontale: 360°, rotation continue

Rotation verticale: de -90° jusqu'à +90°

Vitesse horizontale (variable): de 0.1°/s jusqu'à 100°/s

Vitesse verticale (variable): de 0.1°/s jusqu'à 100°/s

Précision du rappel des positions de preset: 0.02°

Poids net: 22kg

16.2.2 Fenêtres pour caisson

Fenêtre en germanium (optique 9mm, 13mm, 19mm, 25mm, 35mm)

- Épaisseur: 1.5mm
- Traitement extérieur: antirayures (Hard Carbon Coating - DLC)
- Traitement intérieur: antireflets
- Réponse spectrale: de 7.5µm jusqu'à 14µm
- Transmittance moyenne (de 7.5µm jusqu'à 11.5µm): 91.2%
- Transmittance moyenne (de 11.5µm jusqu'à 14µm): 80.9%

Fenêtre en germanium (optique de 50mm)

- Épaisseur: 2mm
- Traitement extérieur: antirayures (Hard Carbon Coating - DLC)
- Traitement intérieur: antireflets
- Réponse spectrale: de 7.5µm jusqu'à 14µm
- Transmittance moyenne (de 7.5µm jusqu'à 11.5µm): 90%
- Transmittance moyenne (de 11.5µm jusqu'à 14µm): 77%

16.2.3 Électrique

Tension d'alimentation/Courant absorbé:

- 230Vac \pm 10%, 0.5A max, 50/60Hz
- 120Vac \pm 10%, 1A max, 50/60Hz
- 24Vac \pm 10%, 5A max, 50/60Hz

Puissance absorbée:

- 120W max
- 30W, tourelle à l'arrêt, chauffage éteint

16.2.4 Réseau

Port RJ45

- Connexion Ethernet: 10BASE-T/100BASE-T

Slot SFP (SMALL FORM FACTOR PLUGGABLE)

- Connexion Ethernet: 100BASE-FX
- Tension d'alimentation: 3.3V
- Standard: conforme MSA

Le module SFP (non fourni par VIDEOTEC) doit répondre aux exigences ci-après :

- Laser: Class 1, conforme à la norme EN60825-1
- Certification: UL/IEC 60950-1 ou UL/IEC 62368-1

16.2.5 Cybersecurity

Firmware à signature numérique

Restriction d'accès par mot de passe (Digest HTTP)

Support de plusieurs niveaux d'accès des utilisateurs

Contrôle d'accès IEEE 802.1X

Cryptage HTTPS avec TLS1.0, TLS1.1, TLS1.2 et TLS1.3

Gestion centralisée des certificats

Conforme aux spécifications du service de sécurité ONVIF

16.2.6 Vidéo

Encodeur vidéo

- Protocole de communication: ONVIF, Profil Q, Profil S et Profil T, ONVIF Thermal Service
- Configuration du dispositif: TCP/IPv4-IPv6, UDP/IPv4-IPv6, HTTP, HTTPS, NTP, DHCP, WSDISCOVERY, DSCP, IGMP (Multicast), SOAP, DNS
- Streaming: RTSP, RTCP, RTP/IPv4-IPv6, HTTP, Multicast
- Compression vidéo: H.264/AVC, MJPEG, MPEG4, snapshot JPEG
- 3 flux vidéo indépendants
- Résolution de l'image: de 160x120pixel jusqu'à 720x480pixel en 5 étapes
- Frame rate sélectionnable de 1 à 30 images par seconde (fps)
- Serveur Web
- OSD directionnel (maximum 4 zones réglables)
- Motion Detection
- QoS: DSCP différenciés pour le streaming et la gestion du périphérique
- Protocoles SNMP et NTCIP

16.2.7 Interface I/O

I/O carte d'alarme:

- Entrées d'alarme: 1
- Sorties relais: 1+1 (1 relais réservé à la pompe du lave-glace et une configurable, 1A, 30Vac/60V dc max)

Entrée pour réinitialisation à distance: 1

16.2.8 Caméras

Consulter le tableau correspondant (16.4 Caméras thermiques, page 35).

16.2.9 Environnement

Installation d'intérieur et d'extérieur

Température de fonctionnement

- Fonctionnement continu: de -40°C jusqu'à +65°C
- Essai de température conforme à NEMA-TS 2-2003 (R2008) paragr. 2.1.5.1, profil de test fig. 2-1 (de -34°C jusqu'à +74°C)
- Intervention de la fonction de dégivrage (départ à froid): de -40°C jusqu'à -10°C

Humidité relative: de 5% jusqu'à 95%

16.2.10 Certifications

Sécurité électrique (CE): EN60950-1, IEC60950-1, EN62368-1, IEC62368-1

Compatibilité électromagnétique (CE): EN61000-6-4, EN61000-3-2, EN61000-3-3, EN50130-4, EN55032 (Classe A)

Installation à l'extérieur (CE): EN60950-22, ICE60950-22

Degré de protection IP (EN/IEC60529): IP66, IP67, IP68, IP69

Certification UL (UL60950-1, CAN/CSA C22.2 No. 60950-1-07, UL62368-1, CAN/CSA C22.2 No. 62368-1-14): cULus Listed (uniquement pour version en 24Vac)

Compatibilité électromagnétique (Amérique du Nord): FCC part 15 (Classe A), ICES-003 (Classe A)

Degré de protection Type (UL50E): 4X (uniquement pour version en 24Vac)

Certification EAC

RoHS (CE): EN IEC 63000

Waste Electrical and Electronic Equipment (WEEE), Directive 2012/19/EU

16.2.11 Certifications - Applications marines

Certification Lloyd's Register Marine Type Approval (les versions 24Vac et 120Vac ont besoin de filtre accessoire FM1010):

- Test Specification Number 1 (ENV1, ENV2, ENV3, ENV5)

Compatibilité électromagnétique: EN60945

Résistant à la brume saline: EN60068-2-52

Éprouvé à 70°C pendant 16 heures conformément à la norme EN60068-2-2

16.3 NXPTZT SERIES2 (NXPTZT)

16.3.1 Mécanique

Aucun jeu mécanique

Câble multipolaire préinstallé (3m, des longueurs différentes sont disponibles sur demande)

Rotation horizontale: 360°, rotation continue

Rotation verticale: de -90° jusqu'à +90°

Vitesse horizontale (variable): de 0.1°/s jusqu'à 100°/s

Vitesse verticale (variable): de 0.1°/s jusqu'à 100°/s

Précision du rappel des positions de preset: 0.02°

Essuie-glace intégré

Poids net: 24kg

16.3.2 Fenêtres pour caisson

Fenêtre en verre extra-clair

- Épaisseur: 5mm

Fenêtre en germanium (optique 9mm, 13mm, 19mm, 25mm, 35mm)

- Épaisseur: 1.5mm
- Traitement extérieur: antirayures (Hard Carbon Coating - DLC)
- Traitement intérieur: antireflets
- Réponse spectrale: de 7.5µm jusqu'à 14µm
- Transmittance moyenne (de 7.5µm jusqu'à 11.5µm): 91.2%
- Transmittance moyenne (de 11.5µm jusqu'à 14µm): 80.9%

Fenêtre en germanium (optique de 50mm)

- Épaisseur: 2mm
- Traitement extérieur: antirayures (Hard Carbon Coating - DLC)
- Traitement intérieur: antireflets
- Réponse spectrale: de 7.5µm jusqu'à 14µm
- Transmittance moyenne (de 7.5µm jusqu'à 11.5µm): 90%
- Transmittance moyenne (de 11.5µm jusqu'à 14µm): 77%

16.3.3 Électrique

Tension d'alimentation/Courant absorbé:

- 230Vac \pm 10%, 0.5A max, 50/60Hz
- 120Vac \pm 10%, 1A max, 50/60Hz
- 24Vac \pm 10%, 5A max, 50/60Hz

Puissance absorbée:

- 120W max
- 30W, tourelle à l'arrêt, chauffage éteint

16.3.4 Réseau

Port RJ45

- Connexion Ethernet: 10BASE-T/100BASE-T

Slot SFP (SMALL FORM FACTOR PLUGGABLE)

- Connexion Ethernet: 100BASE-FX
- Tension d'alimentation: 3.3V
- Standard: conforme MSA

Le module SFP (non fourni par VIDEOTECH) doit répondre aux exigences ci-après :

- Laser: Class 1, conforme à la norme EN60825-1
- Certification: UL/IEC 60950-1 ou UL/IEC 62368-1

16.3.5 Cybersecurity

Firmware à signature numérique

Restriction d'accès par mot de passe (Digest HTTP)

Support de plusieurs niveaux d'accès des utilisateurs

Contrôle d'accès IEEE 802.1X

Cryptage HTTPS avec TLS1.0, TLS1.1, TLS1.2 et TLS1.3

Gestion centralisée des certificats

Conforme aux spécifications du service de sécurité ONVIF

16.3.6 Vidéo

Caméra Day/Night

Encodeur vidéo

- Protocole de communication: ONVIF, Profil Q, Profil S et Profil T
- Configuration du dispositif: TCP/IPv4-IPv6, UDP/IPv4-IPv6, HTTP, HTTPS, NTP, DHCP, WS-DISCOVERY, DSCP, IGMP (Multicast), SOAP, DNS
- Streaming: RTSP, RTCP, RTP/IPv4-IPv6, HTTP, Multicast
- Compression vidéo: H.264/AVC, MJPEG, MPEG4, snapshot JPEG
- 3 flux vidéo indépendants Full HD
- Résolution de l'image: de 320x180pixel jusqu'à 1920x1080pixel en 8 étapes
- Frame rate sélectionnable de 1 à 60 images par seconde (fps)
- Serveur Web
- OSD directionnel (maximum 4 zones réglables)
- Motion Detection
- QoS: DSCP différenciés pour le streaming et la gestion du périphérique
- Protocoles SNMP et NTCIP

Caméra Thermique

Encodeur vidéo

- Protocole de communication: ONVIF, Profil Q Profil S et Profil T, ONVIF Thermal Service
- Configuration du dispositif: TCP/IPv4-IPv6, UDP/IPv4-IPv6, HTTP, HTTPS, NTP, DHCP, WSDISCOVERY, DSCP, IGMP (Multicast), SOAP, DNS
- Streaming: RTSP, RTCP, RTP/IPv4-IPv6, HTTP, Multicast
- Compression vidéo: H.264/AVC, MJPEG, MPEG4, snapshot JPEG
- 3 flux vidéo indépendants
- Résolution de l'image: de 160x120pixel jusqu'à 720x480pixel en 5 étapes
- Frame rate sélectionnable de 1 à 30 images par seconde (fps)
- Serveur Web
- OSD directionnel (maximum 4 zones réglables)
- Motion Detection
- QoS: DSCP différenciés pour le streaming et la gestion du périphérique
- Protocoles SNMP et NTCIP

16.3.7 Interface I/O

I/O carte d'alarme:

- Entrées d'alarme: 1
- Sorties relais: 1+1 (1 relais réservé à la pompe du lave-glace et une configurable, 1A, 30Vac/60V dc max)

Entrée pour réinitialisation à distance: 1

16.3.8 Caméras

SONY FCB-EV7520 Day/Night Full HD 30x

Résolution: Full HD 1080p (1920x1080)

Capteur d'image: 1/2.8" Exmor™ R CMOS sensor

Pixels effectifs: environ 2.13 Megapixels

Éclairage minimum:

- Couleur: 0.0013lx (50 IRE, High sensitivity on)
- B/W: 0.0008lx (30 IRE, High sensitivity on)

Longueur focale: de 4.3mm (wide) jusqu'à 129mm (télé)

Compensation exposition: Off, On (de -10.5dB jusqu'à +10.5dB)

Netteté: de niveau 0 jusqu'à niveau 15

High Light Compensation (HLC): Off, Low, Mid, High, Niveau de Masquage (Off, On, de niveau 1 jusqu'à niveau 15)

Stabilisation image digitale: On/Off

Zoom:

- 30x
- 36x, avec Stable Zoom activé

Zoom numérique: 12x

Iris: de F1.6 jusqu'à F14 (Auto, Manuel)

Angle de vision horizontal: de 63.7° (wide end) jusqu'à 2.3° (tele end)

Angle de vision vertical: de 38.5° (wide end) jusqu'à 1.3° (tele end)

Vitesse d'obturation: de 1/1s jusqu'à 1/10000s (Auto, Manuel)

Équilibrage du blanc: Auto, Auto Tracing, Indoor, Outdoor, Manuel, Outdoor Auto, Sodium Lamp (Fix/Auto/Outdoor Auto)

Gain: de 0dB jusqu'à 50.0dB (Auto, Manuel)

Wide Dynamic Range: 120dB

Système Focus: Auto (PTZ Trigger, Full Auto), Manuel

Effets Image: E-flip

Réduction du bruit (2D, 3D): Off, On (de niveau 1 jusqu'à niveau 5)

Contrôle Exposition: Auto, Manuel, Priorité (Priorité shutter, Priorité iris, Priorité à la luminosité)

De-fog: Off, Low, Mid, High

Masquage dynamique des zones de confidentialité (PTZ): maximum 24 masques configurables, 8 affichables en simultané

Masquage des zones de confidentialité (caméras): maximum 8 masques configurables

Indoor Flicker Reduction

Limite du Gain: de 10.7dB jusqu'à 50dB

High sensitivity: On/Off

Compensation Backlight: On/Off

Auto Slowshutter: On/Off

Compensation exposition: Off, On (de -10.5dB jusqu'à +10.5dB)

Netteté: de niveau 0 jusqu'à niveau 15

High Light Compensation (HLC): Off, Low, Mid, High, Niveau de Masquage (Off, On, de niveau 1 jusqu'à niveau 15)

Stabilisation image digitale: On/Off

Caméras thermiques

Consulter le tableau correspondant (16.4 Caméras thermiques, page 35).

16.3.9 Environnement

Installation d'intérieur et d'extérieur

Température de fonctionnement

- Fonctionnement continu: de -40°C jusqu'à +65°C
- Essai de température conforme à NEMA-TS 2-2003 (R2008) paragr. 2.1.5.1, profil de test fig. 2-1 (de -34°C jusqu'à +74°C)
- Intervention de la fonction de dégivrage (départ à froid): de -40°C jusqu'à -10°C

Humidité relative: de 5% jusqu'à 95%

16.3.10 Certifications

Sécurité électrique (CE): EN60950-1, IEC60950-1, EN62368-1, IEC62368-1

Compatibilité électromagnétique (CE): EN61000-6-4, EN61000-3-2, EN61000-3-3, EN50130-4, EN55032 (Classe A)

Installation à l'extérieur (CE): EN60950-22, ICE60950-22

Degré de protection IP (EN/IEC60529): IP66, IP67, IP68, IP69

Certification UL (UL60950-1, CAN/CSA C22.2 No. 60950-1-07, UL62368-1, CAN/CSA C22.2 No. 62368-1-14): cULus Listed (uniquement pour version en 24Vac)

Compatibilité électromagnétique (Amérique du Nord): FCC part 15 (Classe A), ICES-003 (Classe A)

Degré de protection Type (UL50E): 4X (uniquement pour version en 24Vac)

Certification EAC

Restriction of Hazardous Substances (RoHS), Directive 2011/65/EU: EN50581

Waste Electrical and Electronic Equipment (WEEE), Directive 2012/19/EU

16.3.11 Certifications - Applications marines

Certification Lloyd's Register Marine Type Approval (les versions 24Vac et 120Vac ont besoin de filtre accessoire FM1010):

- Test Specification Number 1 (ENV1, ENV2, ENV3, ENV5)

Compatibilité électromagnétique: EN60945

Résistant à la brume saline: EN60068-2-52

Éprouvé à 70°C pendant 16 heures conformément à la norme EN60068-2-2

16.4 Caméras thermiques

CAMÉRAS THERMIQUES (RÉSOLUTION 336X256)						
Objectif	9mm	13mm	19mm	25mm	35mm	50mm
Capteur à microbolomètre VOx non refroidi	√	√	√	√	√	√
Résolution interpolée	720x480	720x480	720x480	720x480	720x480	720x480
Dimensions pixel	17µm	17µm	17µm	17µm	17µm	17µm
Réponse spectrale - Infrarouge onde longue (LWIR)	de 7.5µm à 13.5µm	de 7.5µm à 13.5µm	de 7.5µm à 13.5µm	de 7.5µm à 13.5µm	de 7.5µm à 13.5µm	de 7.5µm à 13.5µm
Obturbateur interne (uniquement pour compensation senseur)	Video stop <1s	Video stop <1s	Video stop <1s	Video stop <1s	Video stop <1s	Video stop <1s
Digital Detail Enhancement (DDE)	√	√	√	√	√	√
Zoom numérique	2x, 4x	2x, 4x	2x, 4x	2x, 4x	2x, 4x	2x, 4x
Fréquence de mise à jour d'image	7.5fps	7.5fps	7.5fps	7.5fps	7.5fps	7.5fps
Haut fréquence de mise à jour d'image	30fps	30fps	30fps	30fps	30fps	30fps
Gamme scène (High Gain)	-40°C ÷ +160°C	-40°C ÷ +160°C	-40°C ÷ +160°C	-40°C ÷ +160°C	-40°C ÷ +160°C	-40°C ÷ +160°C
Gamme scène (Low Gain)	-40°C ÷ +550°C	-40°C ÷ +550°C	-40°C ÷ +550°C	-40°C ÷ +550°C	-40°C ÷ +550°C	-40°C ÷ +550°C
Champ de vision horizontal (HFOV)	35°	25°	17°	13°	9.3°	6.5°
Champ de vision vertical (VFOV)	27°	19°	13°	10°	7.1°	5°
f-number	f/1.25	f/1.25	f/1.25	f/1.1	f/1.2	f/1.2
Sensibilité thermique (NETD), caméra thermique avec fonctions radiométriques	<50mK avec f/1.0	<50mK avec f/1.0	<50mK avec f/1.0	<50mK avec f/1.0	<50mK avec f/1.0	<50mK avec f/1.0
Sensibilité thermique (NETD), caméra thermique avec fonctions radiométriques avancées	<30mK avec f/1.0	<30mK avec f/1.0	<30mK avec f/1.0	<30mK avec f/1.0	<30mK avec f/1.0	<30mK avec f/1.0
Homme (détection / reconnaissance / identification)	285m / 71m / 36m	440m / 112m / 56m	640m / 160m / 80m	930m / 230m / 116m	1280m / 320m / 160m	1700m / 430m / 215m
Véhicule (détection / reconnaissance / identification)	880m / 220m / 108m	1340m / 340m / 170m	1950m / 500m / 250m	2800m / 710m / 360m	3850m / 950m / 295m	5100m / 1320m / 660m

L'analyse radiométrique n'affecte pas les performances de la caméra.

CAMÉRAS THERMIQUES (RÉSOLUTION 640X512)						
Objectif	9mm	13mm	19mm	25mm	35mm	50mm
Capteur à microbolomètre VOx non refroidi	√	√	√	√	√	√
Résolution interpolée	720x480	720x480	720x480	720x480	720x480	720x480
Dimensions pixel	17µm	17µm	17µm	17µm	17µm	17µm
Réponse spectrale - Infrarouge onde longue (LWIR)	de 7.5µm à 13.5µm	de 7.5µm à 13.5µm	de 7.5µm à 13.5µm	de 7.5µm à 13.5µm	de 7.5µm à 13.5µm	de 7.5µm à 13.5µm
Obturbateur interne (uniquement pour compensation senseur)	Video stop <1s	Video stop <1s	Video stop <1s	Video stop <1s	Video stop <1s	Video stop <1s
Digital Detail Enhancement (DDE)	√	√	√	√	√	√
Zoom numérique	2x, 4x, 8x	2x, 4x, 8x	2x, 4x, 8x	2x, 4x, 8x	2x, 4x, 8x	2x, 4x, 8x
Fréquence de mise à jour d'image	7.5fps	7.5fps	7.5fps	7.5fps	7.5fps	7.5fps
Haut fréquence de mise à jour d'image	30fps	30fps	30fps	30fps	30fps	30fps
Gamme scène (High Gain)	-40°C ÷ +160°C	-40°C ÷ +160°C	-40°C ÷ +160°C	-40°C ÷ +160°C	-40°C ÷ +160°C	-40°C ÷ +160°C
Gamme scène (Low Gain)	-40°C ÷ +550°C	-40°C ÷ +550°C	-40°C ÷ +550°C	-40°C ÷ +550°C	-40°C ÷ +550°C	-40°C ÷ +550°C
Champ de vision horizontal (HFOV)	69°	45°	32°	25°	18°	12.4°
Champ de vision vertical (VFOV)	56°	37°	26°	20°	14°	9.9°
f-number	f/1.4	f/1.25	f/1.25	f/1.1	f/1.2	f/1.2
Sensibilité thermique (NETD), caméra thermique avec fonctions radiométriques	<50mK avec f/1.0	<50mK avec f/1.0	<50mK avec f/1.0	<50mK avec f/1.0	<50mK avec f/1.0	<50mK avec f/1.0
Sensibilité thermique (NETD), caméra thermique avec fonctions radiométriques avancées	<30mK avec f/1.0	<30mK avec f/1.0	<30mK avec f/1.0	<30mK avec f/1.0	<30mK avec f/1.0	<30mK avec f/1.0
Homme (détection / reconnaissance / identification)	250m / 63m / 31m	390m / 95m / 47m	570m / 144m / 72m	820m / 210m / 104m	1140m / 280m / 142m	1500m / 380m / 190m
Véhicule (détection / reconnaissance / identification)	720m / 175m / 88m	1080m / 275m / 140m	1550m / 400m / 200m	2200m / 580m / 290m	3000m / 800m / 200m	3900m / 1060m / 540m

L'analyse radiométrique n'affecte pas les performances de la caméra.

17 Dessins techniques

i Les tailles indiquées sont en millimètres.

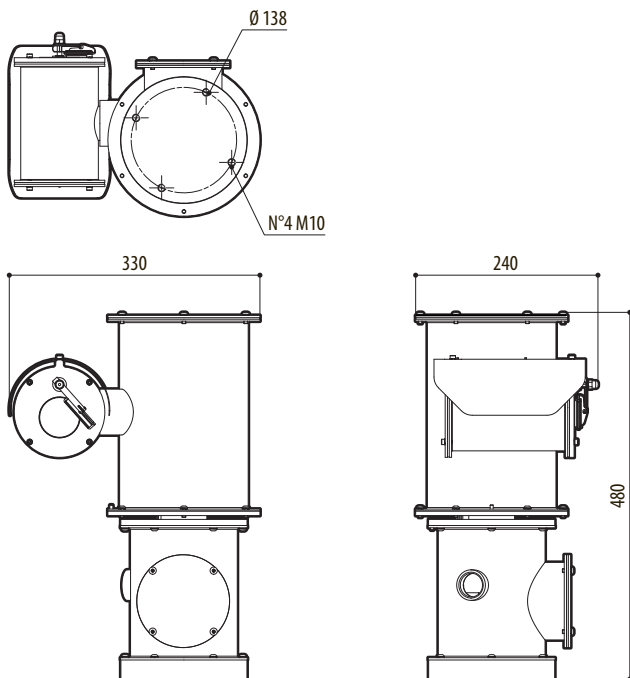


Fig. 24 NXPTZ SERIES2 (NXPTZHD).

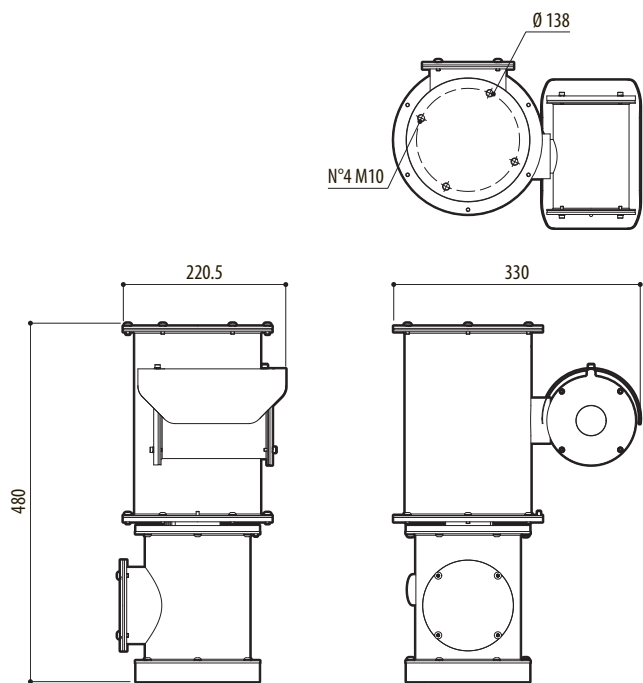


Fig. 25 NXPTZR SERIES2 (NXPTZR).

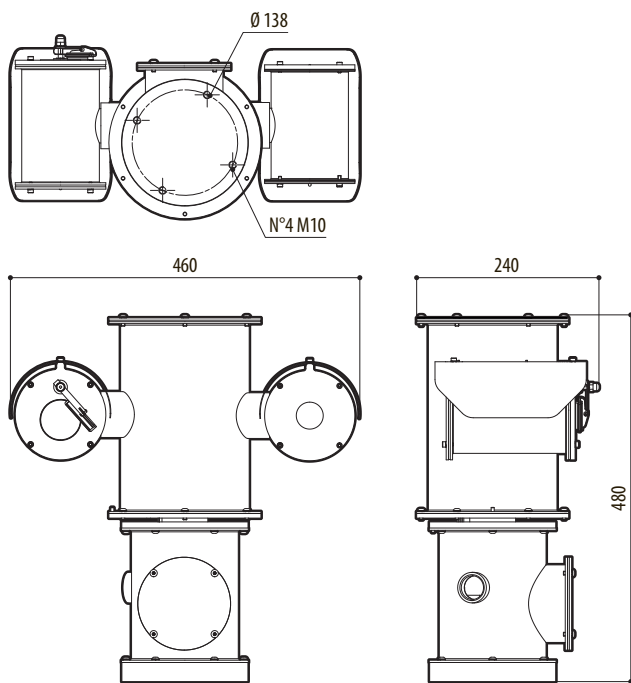


Fig. 26 NXPTZT SERIES2 (NXPTZT).



Headquarters Italy VIDEOTEC s.r.l.
Via Friuli, 6 - I-36015 Schio (VI) - Italy
Tel. +39 0445 697411 - Fax +39 0445 697414
Email: info@videotec.com
www.videotec.com

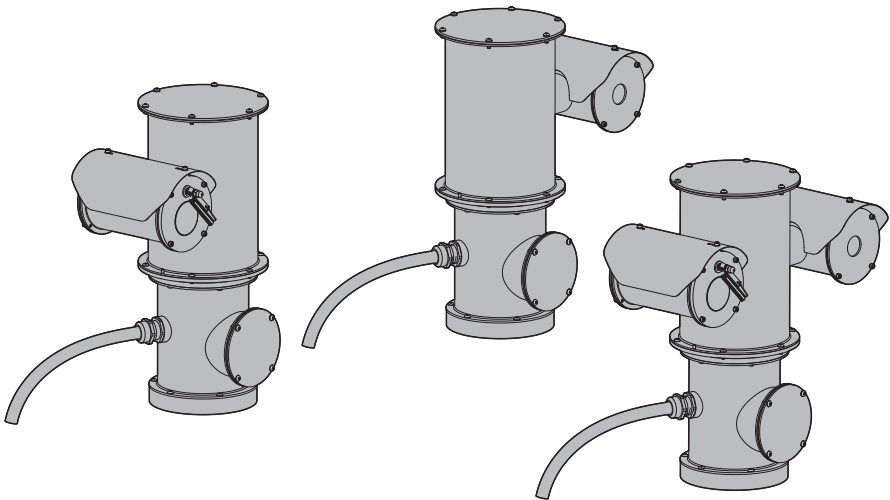
MNVCNXPZ2_2222_FR

NXPTZ SERIES2 (NXPTZHD)

NXPTZR SERIES2 (NXPTZR)

NXPTZT SERIES2 (NXPTZT)

Single oder Dual Vision PTZ-Kamera für On- und Offshore-Anwendungen in Meeres- und Industrieumgebungen



Inhaltsverzeichnis

1 Allgemeines	7
1.1 Schreibweisen.....	7
2 Anmerkungen zum Copyright und Informationen zu den Handelsmarken	7
3 Sicherheitsnormen	7
4 Identifizierung	10
4.1 Beschreibung und Bezeichnung des Produktes.....	10
4.2 Kennzeichnung des Produkts	10
4.2.1 Prüfung der Kennzeichnung.....	10
5 Versionen	11
5.1 Day/Night-Kamera	11
5.2 Radiometrische Wärmebildkamera	11
5.3 Dual Vision mit Tag- und Nachtkamera und radiometrischer Wärmebildkamera	11
5.4 Identifizierung des Modells.....	12
6 Vorbereitung des Produktes auf den Gebrauch	14
6.1 Sicherheitsvorkehrungen vor dem Gebrauch.....	14
6.2 Entfernen der Verpackung	14
6.3 Inhalt.....	14
6.4 Sichere Entsorgung der Verpackungsmaterialien	14
6.5 Auf die Installation vorbereitende Tätigkeiten	15
6.5.1 Befestigung an der Brüstung oder an der Decke.....	15
6.5.2 Befestigung mit Wandhalterung	16
6.5.3 Befestigung durch Mastverseilung oder Winkeladaptermodul.....	16
6.5.3.1 Befestigung an Mastverseilung.....	16
6.5.3.2 Befestigung mit Winkelmodul.....	17
6.5.4 Befestigung des Sonnenschutzdachs.....	17
7 Installation	18
7.1 Benutzerfeld	18
7.2 Installationsmethoden	18
7.3 Anschluss der Stromversorgung.....	19
7.4 Anschluss des Ethernet-Kabels	19
7.5 Anschluss an Alarmerelais.....	20
7.5.1 Anschluss Alarm mit potenzialfreiem Kontakt.....	20
7.5.2 Anschluss der Relais	20
7.5.3 Anschluss der Waschanlage	20
8 Einschaltung	21
8.1 Erstes Einschalten.....	21
9 Konfiguration	21
9.1 Vorgegebene IP-Adresse	21
9.2 Web-Schnittstelle.....	21
9.2.1 Erster Webseitenaufruf.....	21
10 Zubehör und Support	22

10.1 Waschanlage	22
10.2 Halterung für Montage an Brüstung oder Decke	22
10.3 Wandhalterung.....	22
10.4 Winkeladaptermodul	23
10.5 Massive Mastschelle	23
10.6 Adapter für den Glasfaseranschluss	23
11 Anleitung für den normalen Betrieb	24
12 Wartung.....	24
12.1 Übliche Wartung	24
12.1.1 Überprüfung der Kabel	24
12.2 Außerordentliche Wartung.....	25
12.2.1 Wechsel der Sicherungen	25
12.2.2 Factory Default	25
13 Reinigung.....	26
13.1 Fensterreinigung	26
13.2 Reinigung des Produktes.....	26
14 Informationen bezüglich Entsorgung und Recycling.....	26
15 Problemlösung	26
16 Technische Daten	27
16.1 NXPTZ SERIES2 (NXPTZHD)	27
16.1.1 Mechanik.....	27
16.1.2 Fenster für Gehäuse.....	27
16.1.3 Elektrik.....	27
16.1.4 Netzwerk	27
16.1.5 Cybersecurity	27
16.1.6 Video	27
16.1.7 I/O-Schnittstelle.....	27
16.1.8 Kamera	28
16.1.9 Umgebung.....	29
16.1.10 Zertifizierungen	29
16.1.11 Zertifizierungen - Marine-Anwendungen	29
16.2 NXPTZR SERIES2 (NXPTZR)	29
16.2.1 Mechanik.....	29
16.2.2 Fenster für Gehäuse.....	29
16.2.3 Elektrik	30
16.2.4 Netzwerk.....	30
16.2.5 Cybersecurity	30
16.2.6 Video.....	30
16.2.7 I/O-Schnittstelle	30
16.2.8 Kamera.....	31
16.2.9 Umgebung	31
16.2.10 Zertifizierungen	31
16.2.11 Zertifizierungen - Marine-Anwendungen.....	31
16.3 NXPTZT SERIES2 (NXPTZT)	31
16.3.1 Mechanik.....	31
16.3.2 Fenster für Gehäuse.....	31

16.3.3 Elektrik	32
16.3.4 Netzwerk	32
16.3.5 Cybersecurity	32
16.3.6 Video	32
16.3.7 I/O-Schnittstelle	33
16.3.8 Kamera	33
16.3.9 Umgebung	34
16.3.10 Zertifizierungen	34
16.3.11 Zertifizierungen - Marine-Anwendungen	34
16.4 Wärmebildkamas	35
17 Technische Zeichnungen	37



1 Allgemeines

Vor der Installation und Anwendung dieses Produkts ist die gesamte mitgelieferte Dokumentation aufmerksam zu lesen. Zum späteren Nachschlagen das Handbuch in Reichweite aufbewahren.

1.1 Schreibweisen



GEFAHR!

Erhöhte Gefährdung. Stromschlaggefahr. Falls nichts anderes angegeben, unterbrechen Sie die Stromversorgung, bevor die beschriebenen Arbeiten durchgeführt werden.



GEFAHR!

Gefahr mechanischer Natur. Quetsch- oder Scherkantengefahr.



ACHTUNG!

Mittlere Gefährdung. Der genannte Vorgang hat große Bedeutung für den einwandfreien Betrieb des Systems. Es wird gebeten, sich die Verfahrensweise durchzulesen und zu befolgen.



ANMERKUNG

Beschreibung der Systemmerkmale. Eine sorgfältige Lektüre wird empfohlen, um das Verständnis der folgenden Phasen zu gewährleisten.

3 Sicherheitsnormen



ACHTUNG! Die elektrische Anlage, an der die Einheit angeschlossen ist, muss mit einem automatischen zweipoligen Schutzschalter 20A max ausgestattet sein. Zwischen den Schutzschalter Kontakten muss mindestens ein Abstand von 3mm vorhanden sein. Der Schalter muss eine Schutzeinrichtung gegen Erde Fehlerstrom (Differenzial) und gegen Überstrom haben (magnetothermisch).



Die elektrische Anlage muss mit einem Netztrennschalter versehen sein, der im Bedarfsfall sofort erkannt und gebraucht werden kann.



ACHTUNG! Gefährliche Loseile. Finger und andere Körperteile fernhalten.



ACHTUNG! Die Installation und Wartung der Vorrichtung ist technischen Fachleuten vorbehalten.



ACHTUNG! Die Anlage gehört zum Typ TNV-1. Nicht an Kreisläufe SELV anschließen.



Die Einrichtung darf nur mit größter Vorsicht transportiert werden. Ruckartige Haltemanöver, Höhenunterschiede und starke Aufpralle können das Objekt beschädigen oder den Benutzer verletzen.

- Der Hersteller lehnt jede Haftung für eventuelle Schäden ab, die aufgrund unsachgemäßer Anwendung der in diesem Handbuch erwähnten Geräte entstanden ist. Ferner behält er sich das Recht vor, den Inhalt ohne Vorkündigung abzuändern. Die Dokumentation in diesem Handbuch wurde sorgfältig ausgeführt und überprüft. Der Hersteller kann dennoch keine Haftung für die Verwendung übernehmen. Dasselbe gilt für jede Person oder Gesellschaft, die bei der Schaffung oder Produktion von diesem Handbuch miteinbezogen ist.

2 Anmerkungen zum Copyright und Informationen zu den Handelsmarken

Die angeführten Produkt- oder Firmennamen sind Handelsmarken oder eingetragene Handelsmarken.

ONVIF® ist ein eingetragenes Markenzeichen von Onvif, Inc.

- Unterbrechen Sie die Stromversorgung, bevor die beschriebenen Arbeiten durchgeführt werden.
- Es dürfen keine Kabel mit Verschleiß- oder Alterungsspuren verwendet werden.
- Unter keinen Umständen dürfen Veränderungen oder Anschlüsse vorgenommen werden, die in diesem Handbuch nicht genannt sind. Der Gebrauch ungeeigneten Geräts kann die Sicherheit des Personals und der Anlage schwer gefährden.
- Es dürfen nur Original-Ersatzteile verwendet werden. Nicht originale Ersatzteile können zu Bränden, elektrischen Entladungen oder anderen Gefahren führen.
- Vor der Installation ist anhand des Kennzeichnungsschildes nachzuprüfen, ob das gelieferte Material die gewünschten Eigenschaften (4.2 Kennzeichnung des Produkts, Seite 10).
- Die Einrichtung ist für die dauerhafte Befestigung und Verbindung in ein Gebäude oder eine andere geeignete Struktur konzipiert. Vor jeder Operation muss die Einrichtung dauerhaft befestigt und verbunden werden.
- Die elektrische Anlage muss mit einem Netztrennschalter versehen sein, der im Bedarfsfall sofort erkannt und gebraucht werden kann.
- Dies ist ein Produkt der Klasse A. Dieses Produkt kann im Wohnbereich Funkstörungen verursachen. In diesem Fall kann vom Betreiber verlangt werden, angemessene Maßnahmen durchzuführen.
- Für Produkte mit UL-Kennzeichnung mit einer Versorgung von 24Vac einen isolierten UL listed TNV/ES1 Transformator verwenden, der mit den Bestimmungen IEC/UL 60950-1 und IEC/UL 62368-1 übereinstimmt.
- Die Installationskategorie (auch als Überspannungskategorie bezeichnet) gibt den Pegel der Netzspannungsschläge an, denen die Ausrüstung ausgesetzt ist. Die Kategorie hängt vom Installationsort der Ausrüstung und von den externen Schutzvorrichtungen gegen Spannungsschläge ab. Ausrüstungen in einer gewerblichen Umgebung, die direkt mit den Hauptzweigen der Versorgungsanlage verbunden sind, gehören zur Installationskategorie III. In diesem Fall ist eine Abstufung auf Installationskategorie II erforderlich. Alternativ können UL listed Überspannungsschutzvorrichtungen (SPD) von Fase zu Nullleiter und von Nullleiter zur Erde geführt werden. UL-gelistete Überspannungsschutzvorrichtungen sind für die wiederholte Begrenzung kurzzeitig auftretender Spannungsspitzen und für die folgenden nominellen Betriebsbedingungen auszulegen: Typ 2 (Dauerhaft angeschlossene Überspannungsschutzvorrichtungen für die Installation auf der Ladungsseite der Hilfseinrichtung); Nennladestrom (In) 20kA min. Benutzt werden können beispielsweise: FERRAZ SHAWMUT, STT2240SPG-CN, STT2BL240SPG-CN, spezifiziert für 120Vac/240Vac, (In=20kA). Der maximale Abstand zwischen dem Einbau und der Abkürzung ist 5m.

- Das Gerät ist für eine Installation in einem Bereich mit beschränktem Zugang für spezialisierte Techniker vorgesehen.
- Um die Vorschriften über Spannungseinbrüche und -abschaltungen einzuhalten, benutzen Sie bitte eine unterbrechungsfreie Stromversorgung (UPS).
- Der Anschluss an den Erdungsschutzleiter ist nach den örtlichen Installationsanordnungen auszuführen..
- Der im Gerät verfügbare Erdungsanschluss muss ständig geerdet sein.
- Damit ein ständiger Brandschutz garantiert wird, sind die Sicherungen nur in dem gleichen Typ und Wert zu ersetzen. Die Sicherungen sind nur von Fachleuten zu ersetzen.
- Vorgeschrieben ist der Anschluss an eine Versorgungsquelle, deren Eigenschaften den Angaben auf dem Kennzeichnungsschild entsprechen. Vor der Installation ist zu prüfen, ob die Stromleitung sachgerecht abgetrennt ist. Die Versorgungsspannung darf die Toleranzen ($\pm 10\%$) nicht überschreiten.
- Das Gerät umfasst bewegliche Teile. Stellen Sie sicher, dass die Einheit an einer Stelle positioniert wird, die unter normalen Betriebsbedingungen nicht zugänglich ist. Bringen Sie das im Lieferumfang des Gerätes enthaltene Schildchen in der Nähe des Objektes an gut sichtbarer Stelle an.
- Bringen Sie das Schildchen Gefährliche Bewegungsteile in der Nähe der Einrichtung an. (Abb. 5, Seite 14).
- Das Gerät nicht in der Nähe entzündlicher Stoffe benutzen.
- Die Wartung der Einrichtung ist Fachleuten vorbehalten. Während der Wartungsarbeiten ist die tätige Person der Gefahr von Stromschlägen und anderen Gefahren ausgesetzt.
- Verwenden Sie nur vom Hersteller empfohlenes Zubehör. Jede vom Hersteller nicht ausdrücklich genehmigte Veränderung führt zum Verfall der Gewährleistungsrechte.
- Vor dem Anschluss sämtlicher Signalkabel ist zu prüfen, ob die Einrichtung sachgerecht mit dem Erdungskreis verbunden ist.
- Wenn die Einrichtung von der Anlage getrennt werden muss, ist das Erdungskabel stets zuletzt abzuklemmen.
- Vermeiden Sie durch gebotene Vorkehrungen, dass das Gerät durch elektrostatische Entladungen beschädigt wird.
- Die Einrichtung ist vorsichtig zu handhaben, starke mechanische Beanspruchungen könnten sie beschädigen.
- Achten Sie besonders auf die Isolierabstände zwischen der Versorgungsleitung und allen anderen Kabeln einschließlich der Vorrichtungen zum Schutz gegen Blitzeinschlag.

4 Identifizierung

4.1 Beschreibung und Bezeichnung des Produktes

Single oder Dual Vision PTZ-Kamera für On- und Offshore-Anwendungen in Meeres- und Industrieumgebungen.

NXPTZ SERIES2 bietet maximale Korrosionsbeständigkeit und erfordert dank der bei den Herstellungsprozessen angewandten hohen Präzision und der soliden Konstruktion aus Edelstahl AISI 316L mit mikrogestrahnten und elektropolierten Oberflächen keine Wartung.

4.2 Kennzeichnung des Produkts



Auf dem Produkt befindet sich ein Etikett, das mit der CE-Kennzeichnung übereinstimmt.

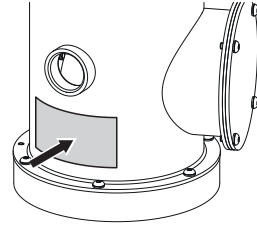


Abb. 1

Das Schildchen nennt:

- Identifizierungscode des Modells.
- Versorgungsspannung (Volt).
- Frequenz (Hertz).
- Stromaufnahme (Ampere).
- Schutzart (IP).
- Seriennummer.

4.2.1 Prüfung der Kennzeichnung

Vor Beginn der Installationsarbeiten ist zu kontrollieren, ob das gelieferte Material den jeweiligen Anforderungen entspricht. Zu erkennen ist dies anhand der Kennzeichnungsschilder.

Unter keinen Umständen dürfen Veränderungen oder Anschlüsse vorgenommen werden, die in diesem Handbuch nicht genannt sind. Der Gebrauch ungeeigneten Geräts kann die Sicherheit des Personals und der Anlage schwer gefährden.

Für weitere Informationen bzgl. der Versionen und Codierungen des Produkts Bezug nehmen auf das entsprechende Kapitel (5 Versionen, Seite 11).

5 Versionen

5.1 Day/Night-Kamera

Die Produktversion mit Tag- und Nachtkamera ist mit einer SONY-Kamera oder einer Kamera mit Delux-Technologie ausgestattet.

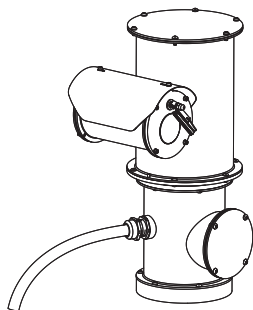


Abb. 2 NXPTZ SERIES2 (NXPTZHD).

5.2 Radiometrische Wärmebildkamera

Die Produktversion mit radiometrischer Wärmebildkamera ist mit einer wärmeempfindlichen Kamera mit radiometrischen oder erweiterten radiometrischen Funktionen ausgestattet.

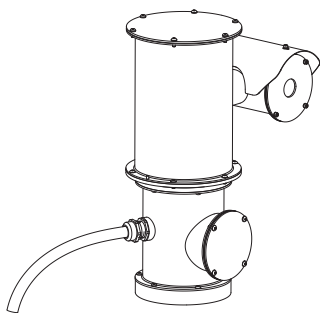


Abb. 3 NXPTZR SERIES2 (NXPTZR).

5.3 Dual Vision mit Tag- und Nachtkamera und radiometrischer Wärmebildkamera

Die Produktversion Dual Vision ist mit einer Tag- und Nachtkamera von SONY und einer Wärmebildkamera mit radiometrischen oder erweiterten radiometrischen Funktionen ausgestattet.

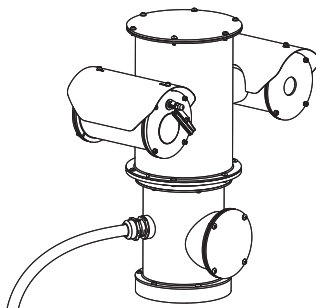


Abb. 4 NXPTZT SERIES2 (NXPTZT).

5.4 Identifizierung des Modells

NXPTZ SERIES2 - KONFIGURATIONSOPTIONEN						
	Strom- Versorgung	Kamera		Optionen	Überarbeitung	
NXPTZHD	1 230Vac	1 Super Low-Light Kamera Day/ Night, 30-fach-Zoom, Full HD	VW0Z0	0 Ohne integrierten Videoanalysefunktionen (ohne VIDEOTEC ANALYTICS)	C In Übereinstimmung mit ONVIF, Profil Q, Profil S und Profil T	
	2 24Vac	2 Kamera SONY FCB-EV7520, FULL HD 1080p, 30x		V Mit integrierten Videoanalysefunktionen (VIDEOTEC ANALYTICS)	J In Übereinstimmung mit ONVIF, Profil S und Profil T	
	3 120Vac					

Tab. 1 NXPTZ SERIES2 (NXPTZHD).

NXPTZR SERIES2 - KONFIGURATIONSOPTIONEN						
	Strom- Versorgung	Wärmebildkamera	Optionen		Überarbeitung	Frequenz
NXPTZR	1 230Vac	Y 6.5° HFOV, Wärmebildkamera 50mm, 336x256	0 Wärmebildkamera mit radiometrischen Funktionen	0Z00	C In Übereinstimmung mit ONVIF, Profil Q, Profil S und Profil T	- 7.5Hz
	2 24Vac	A 9.3° HFOV, Wärmebildkamera 35mm, 336x256	R Wärmebildkamera mit erweiterten radiometrischen Funktionen		J In Übereinstimmung mit ONVIF, Profil S und Profil T	H 30Hz
	3 120Vac	B 13° HFOV, Wärmebildkamera 25mm, 336x256				
		V 17° HFOV, Wärmebildkamera 19mm, 336x256				
		F 25° HFOV, Wärmebildkamera 13mm, 336x256				
		C 35° HFOV, Wärmebildkamera 9mm, 336x256				
		W 12.4° HFOV, Wärmebildkamera 50mm, 640x512				
		D 18° HFOV, Wärmebildkamera 35mm, 640x512				
		E 25° HFOV, Wärmebildkamera 25mm, 640x512				
		U 32° HFOV, Wärmebildkamera 19mm, 640x512				
		G 45° HFOV, Wärmebildkamera 13mm, 640x512				
		H 69° HFOV, Wärmebildkamera 9mm, 640x512				

Tab. 2 NXPTZR SERIES2 (NXPTZR).

NXPTZT SERIES2 - KONFIGURATIONSOPTIONEN								
	Strom-Ver-sorgung	Day/Night-Kamera	Wärmebildkamera	Optionen		Überarbeitung	Frequenz	
NXPTZT	1 230Vac	2 Kamera SONY FCB-EV7520, FULL HD 1080p, 30x	Y 6.5° HFOV, Wärmebildkamera 50mm, 336x256	W Wärmebildkamera mit radiometrischen Funktionen	OZ00	C In Übereinstimmung mit ONVIF, Profil Q, Profil S und Profil T	-	7.5Hz
	2 24Vac		A 9.3° HFOV, Wärmebildkamera 35mm, 336x256	R Wärmebildkamera mit erweiterten radiometrischen Funktionen		J In Übereinstimmung mit ONVIF, Profil S und Profil T	H	30Hz
	3 120Vac		B 13° HFOV, Wärmebildkamera 25mm, 336x256					
			V 17° HFOV, Wärmebildkamera 19mm, 336x256					
			F 25° HFOV, Wärmebildkamera 13mm, 336x256					
			C 35° HFOV, Wärmebildkamera 9mm, 336x256					
			W 12.4° HFOV, Wärmebildkamera 50mm, 640x512					
			D 18° HFOV, Wärmebildkamera 35mm, 640x512					
			E 25° HFOV, Wärmebildkamera 25mm, 640x512					
			U 32° HFOV, Wärmebildkamera 19mm, 640x512					
			G 45° HFOV, Wärmebildkamera 13mm, 640x512					
			H 69° HFOV, Wärmebildkamera 9mm, 640x512					

Tab. 3 NXPTZT SERIES2 (NXPTZT).

6 Vorbereitung des Produktes auf den Gebrauch



Jede vom Hersteller nicht ausdrücklich genehmigte Veränderung führt zum Verfall der Gewährleistungsrechte.

6.1 Sicherheitsvorkehrungen vor dem Gebrauch



Das Gerät umfasst bewegliche Teile. Stellen Sie sicher, dass die Einheit an einer Stelle positioniert wird, die unter normalen Betriebsbedingungen nicht zugänglich ist. Bringen Sie das im Lieferumfang des Gerätes enthaltene Schildchen in der Nähe des Objektes an gut sichtbarer Stelle an.



Abb. 5

6.2 Entfernen der Verpackung

Bei der Lieferung des Produktes ist zu prüfen, ob die Verpackung intakt ist oder offensichtliche Anzeichen von Stürzen oder Abrieb aufweist.

Bei offensichtlichen Schadensspuren an der Verpackung muss umgehend der Lieferant verständigt werden.

Im Falle der Rückgabe des nicht korrekt funktionierenden Produktes empfiehlt sich die Verwendung der Originalverpackung für den Transport.

Bewahren Sie die Verpackung auf für den Fall, dass das Produkt zur Reparatur eingeschendet werden muss.

6.3 Inhalt

Prüfen Sie, ob der Inhalt mit der nachstehenden Materialliste übereinstimmt:

- Positionierungseinheit
- Sonnenschutzdach (2 Sonnenschutzdächer in der Ausführung mit Doppelkamera)
- Schrauben
- Scheibenwaschanlagenkit
- Schildchen (ACHTUNG: Gefährliche Loseile)
- Sechskantschlüssel
- Bedienungsanleitung

6.4 Sichere Entsorgung der Verpackungsmaterialien

Die Verpackungsmaterialien sind vollständig wiederverwertbar. Es ist Sache des Installationstechnikers, sie getrennt, auf jeden Fall aber nach den geltenden Vorschriften des Anwendungslandes zu entsorgen.

6.5 Auf die Installation vorbereitende Tätigkeiten

⚠ **ACHTUNG!** Die Installation und Wartung der Vorrichtung ist technischen Fachleuten vorbehalten.

⚠ Die Installation mit geeigneten Werkzeugen ausführen. Dennoch kann der Ort, an dem die Vorrichtung installiert wird, den Einsatz von Spezialwerkzeugen erfordern.

⚠ Eine Installationsoberfläche auswählen, die ausreichend widerstandsfähig ist und dazu geeignet, dem Gewicht des Gerätes standzuhalten; dabei müssen die besonderen Umgebungsbedingungen wie starker Wind berücksichtigt werden.

⚠ Das Gerät so installieren, dass Unfälle durch den Kontakt mit den bewegten Teilen verhindert werden: sie dürfen nicht gegen andere Gegenstände stoßen und so Gefahrensituationen hervorrufen.

⚠ Vor dem Einschalten der Stromversorgung prüfen, dass das Gerät fest verankert ist.

⚠ Für Kundendiensteingriffe wenden Sie sich ausschließlich an autorisiertes technisches Personal.

i Da der Benutzer für die Auswahl der Verankerungsfläche der Einheit verantwortlich ist, liefert der Hersteller die Befestigungsvorrichtungen für die Verankerung der Einheit auf der Oberfläche nicht mit. Der Installateur ist daher für die Auswahl der für die zur Verfügung stehende Oberfläche geeigneten Vorrichtungen verantwortlich.

Die Einheit kann mit verschiedenen Bügeln und Halterungen installiert werden.

Wir empfehlen, ausschließlich Bügel und Zubehör zu verwenden, die für die Installation geeignet sind.

6.5.1 Befestigung an der Brüstung oder an der Decke

i Bei einer Deckenmontage ist über die Wechschnittstelle der Modus Deckenmontage zu aktivieren (Web Interface Bedienungsanleitungen, Bewegungsparameter Seite).

Den Adapter (01) am Boden der Einheit befestigen. Hierzu die 4 flachen, mitgelieferten Senkschrauben (02) mit Innensechskant M10x20mm aus Edelstahl (A4 Klasse 70) verwenden.

Sicherstellen, dass die Gewinde ohne Schmutz und Rückstände sind.

Eine ausreichende Menge an Schraubensicherung (Loctite 270) von den 4 Gewindebohrungen unten am Geräteunterteil anbringen.

⚠ Auf die Befestigung achten. Anzugsdrehmoment: 35Nm.

Die Schraubensicherung eine Stunde lang wirken lassen, dann die Installation beenden.

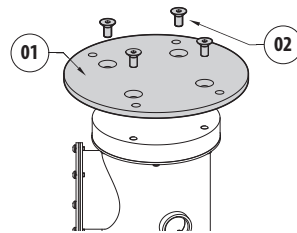


Abb. 6

Die zusammengebaute Einheit muss an die Brüstung oder an die Decke durch die externen Bohrungen vom Adapter befestigt werden. Schrauben verwenden, die einem Gewicht standhalten können, das mindestens 4 mal größer als das der Einheit ist.

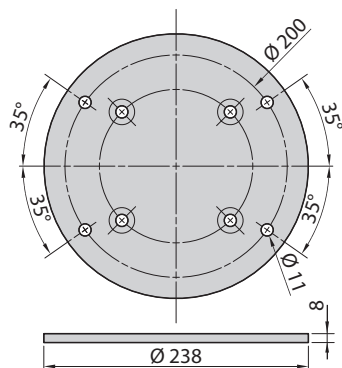


Abb. 7

6.5.2 Befestigung mit Wandhalterung

Die Halterung kann direkt an einer vertikalen Wand befestigt werden. Schrauben und Wandbefestigungsvorrichtungen verwenden, die einem Gewicht standhalten können, das mindestens viermal größer als das der Einheit ist.

Für die Befestigung des Geräts am Bügel müssen die mitgelieferten 4 flache Unterlegscheiben, 4 Sicherungsscheiben aus Edelstahl und 4 Sechskantschrauben aus Edelstahl (A4 Klasse 70) der Größe M10x20mm verwendet werden.

Sicherstellen, dass die Gewinde ohne Schmutz und Rückstände sind.

Eine ausreichende Menge von Schraubensicherung (Loctite 270) an den 4 Schrauben anbringen.

Schrauben festziehen.

**⚠ Auf die Befestigung achten.
Anzugsdrehmoment: 35Nm.**

Die Schraubensicherung eine Stunde lang wirken lassen, dann die Installation beenden.

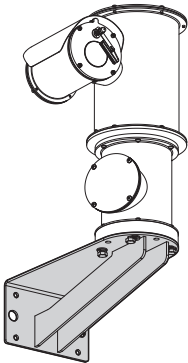


Abb. 8

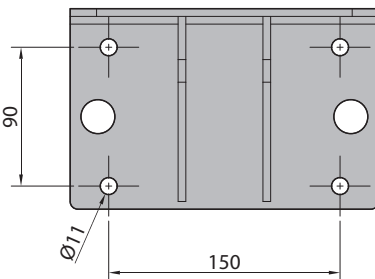


Abb. 9

6.5.3 Befestigung durch Mastverseilung oder Winkeladaptermodul

Um das Produkt an der Mastverseilung zu installieren bzw. in Übereinstimmung eines Winkels muss man in erster Linie die Einheit an der Wandhalterung befestigen (6.5.2 Befestigung mit Wandhalterung, Seite 16).

6.5.3.1 Befestigung an Mastverseilung

Zum Befestigen der Wandbügelhalterung an den Halterungsbügel die im Lieferumfang enthaltenen 4 flachen Unterlegscheiben, die 4 Federringe aus Edelstahl und die 4 Sechskantschrauben aus Edelstahl (A4 Klasse 70) M10x30mm verwenden.

Sicherstellen, dass die Gewinde ohne Schmutz und Rückstände sind.

Reichlich Gewindegewissungsmittel (Loctite 270) auf die 4 Gewindeöffnungen des Wandhalterungsbügels auftragen.

Schrauben festziehen.

**⚠ Auf die Befestigung achten.
Anzugsdrehmoment: 35Nm.**

Die Schraubensicherung eine Stunde lang wirken lassen, dann die Installation beenden.

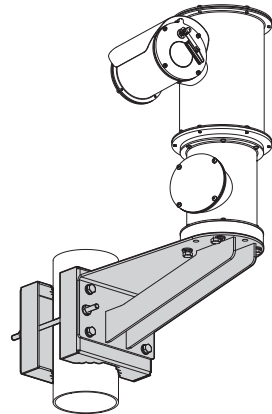


Abb. 10

6.5.3.2 Befestigung mit Winkelmodul

Zum Befestigen der Wandbügelhalterung an das Winkeladaptermodul die im Lieferumfang enthaltenen 4 flachen Unterlegscheiben, die 4 Federringe aus Edelstahl und die 4 Sechskantschrauben aus Edelstahl (A4 Klasse 70) M10x30mm verwenden.

Sicherstellen, dass die Gewinde ohne Schmutz und Rückstände sind.

Reichlich Gewindegewandmittel (Loctite 270) auf die 4 Gewindeöffnungen des Winkelmoduls aufbringen.

Schrauben festziehen.

**⚠ Auf die Befestigung achten.
Anzugsdrehmoment: 35Nm.**

Die Schraubensicherung eine Stunde lang wirken lassen, dann die Installation beenden.

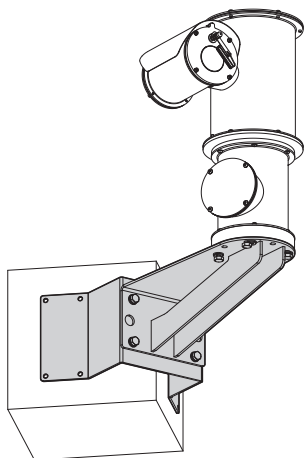


Abb. 11

6.5.4 Befestigung des Sonnenschutzdachs

Es ist möglich, das Sonnenschutzdach am Gehäuse zu befestigen. Hierzu die mitgelieferten Schrauben verwenden.

Eine ausreichende Menge an Schraubensicherung (Loctite 270) an den Gewindebohrungen anbringen.

**⚠ Auf die Befestigung achten.
Anzugsdrehmoment: 2Nm.**

Die Schraubensicherung eine Stunde lang wirken lassen, dann die Installation beenden.

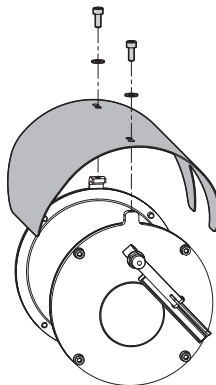


Abb. 12

7 Installation



ACHTUNG! Die Installation und Wartung der Vorrichtung ist technischen Fachleuten vorbehalten.



Unterbrechen Sie die Stromversorgung, bevor die beschriebenen Arbeiten durchgeführt werden.



Beim Start führt das System eine Reihe von automatischen Kalibrierbewegungen aus: Halten Sie sich nicht in der Nähe des Gerätes auf, wenn es eingeschaltet wird.



VIDEOTEC empfiehlt, vor der endgültigen Montage am Installationsort die Konfiguration und die Leistungen des Gerätes zu prüfen.



Das Produkt verfügt über ein mehrpoliges Kabel, mit dem die Anschlüsse ausgeführt werden können.

7.1 Benutzerfeld

Installationstemperatur: von -40°C (-40°F) bis zu +65°C (149°F).

Betriebstemperatur: von -40°C (-40°F) bis zu +65°C (149°F).

7.2 Installationsmethoden

Die Einheit kann nur in Standardposition oder invertiert (Deckenmontage) installiert werden. Wenn es in letzterer Position installiert wird, erfolgt die Neukonfiguration der Orientierungs- und Kontrollfunktionen der Videokamera über die Systemsoftware.

Der Betrieb in invertierter Position erfordert keinerlei Änderung der Hardware.

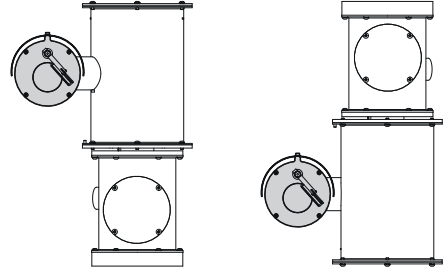


Abb. 13

7.3 Anschluss der Stromversorgung



Die elektrischen Anschlüsse nur durchführen, wenn die Stromversorgung abgetrennt und die Trennvorrichtung offen ist.



Im Zuge der Installation ist zu prüfen, ob die Merkmale der von der Anlage bereitgestellten Versorgung mit den erforderlichen Merkmalen der Einrichtung übereinstimmen.



Prüfen Sie, ob die Quelle und das Versorgungskabel sachgerecht bemessen sind.

Je nach Version kann die Vorrichtung mit unterschiedlichen Versorgungsspannungen geliefert werden. Der Wert der Versorgungsspannung ist auf dem Kenndatenschildchen des Produktes angegeben (4.2 Kennzeichnung des Produkts, Seite 10).

Im mehrpoligen Kabel sind die Versorgungs- und Erdungskabel enthalten.

Die Anschlüsse nach den Angaben in der Tabelle vornehmen.

ANSCHLUSS DER STROMVERSORGUNG	
Kabelfarbe	Beschreibung
Netzteil 24Vac	
Schwarz 2	(N) Nullleiter
Schwarz 1	(L) Phase
Gelb/Grün	Erder
Netzteil 230Vac	
Schwarz 2	(N) Nullleiter
Schwarz 1	(L) Phase
Gelb/Grün	Erder
Netzteil 120Vac	
Schwarz 2	(N) Nullleiter
Schwarz 1	(L) Phase
Gelb/Grün	Erder

Tab. 4

7.4 Anschluss des Ethernet-Kabels



Das Abschirmgeflecht des Ethernetkabels muss benutzerseitig stets über den Steckverbinder geerdet sein.

Einen geschirmten Steckverbinder RJ45 zum Crimpen des Ethernetkabels verwenden.

Die Anschlüsse nach den Angaben in der Tabelle vornehmen (standardgerecht: TIA/EIA-568-B).

ANSCHLUSS DES ETHERNET-KABELS	
Nummer des Pins	Kabelfarbe
1	Orange-Weiß
2	Orange
3	Grün-Weiß
4	Blau
5	Blau-Weiß
6	Grün
7	Braun-Weiß
8	Braun

Tab. 5

Eine typische Installation zeigt das nachstehende Beispiel.

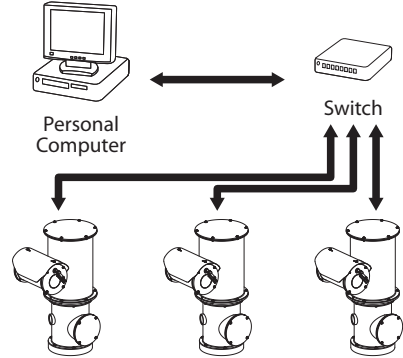


Abb. 14

7.5 Anschluss an Alarmer und Relais

Die Einheit ist mit den in der Tabelle aufgeführten Alarmer und Relais ausgestattet.

ANSCHLUSS AN ALARME UND RELAIS	
Kabelfarbe	Beschreibung
Rot-Blau	Relais 1, A
Grau-Rosa	Relais 1, B
Braun-Grün	Relais 2, A
Weiß-Grün	Relais 2, B
Grün	Gemeinsamer Alarm, COM
Braun	Alarm 1 (potenzialfreier Kontakt), AL1
Weiß-Gelb	Spannungsversorgung des Reseteingangs
Schwarz	Reseteingang

Tab. 6

⚠ Elektrische Isolation aller nicht angeschlossenen und in der Tabelle nicht aufgeführten Kabel, da diese keine Funktion haben.

7.5.1 Anschluss Alarm mit potenzialfreiem Kontakt

Bei einem Alarm mit potenzialfreiem Kontakt (Alarm AL1), Den Anschluss wie in der Abbildung gezeigt ausführen.

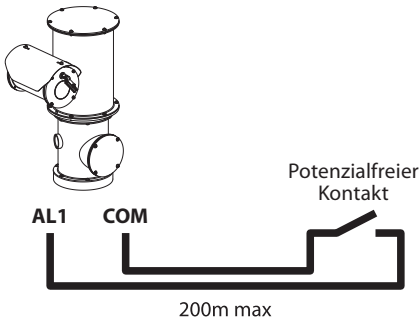


Abb. 15

Der potenzialfreie Kontakt kann vom Typ NO (normalerweise offen) oder vom Typ NC (normalerweise geschlossen) sein.

Für weitere Infos bitte entsprechendes Kapitel beachten (Web Interface Bedienungs- anleitungen, Digitale I/O Seite).

i Alle Alarmer haben eine Reichweite von etwa 200m, die mithilfe eines abgeschirmten Kabels mit Mindestquerschnitt von 0.25mm² (23AWG) erzielt werden kann.

7.5.2 Anschluss der Relais

⚠ Das Relais kann mit den in Folge beschriebenen Spezifikationen verwendet werden. Arbeitsspannung: bis zu 30Vac oder 60Vdc. Strom: 1A max. Verwenden Sie Kabel mit einem geeigneten Querschnitt und mit folgenden Eigenschaften: von 0.25mm² (23AWG) bis zu 1.5mm² (15AWG).

Aufgrund der fehlenden Polarität können beide Anschlüsse des gleichen Relais an Gleich- oder Wechselspannungen angeschlossen werden.


7.5.3 Anschluss der Waschanlage

i Für weitere Details zur Konfiguration und zum Gebrauch beachten Sie bitte das Handbuch des entsprechenden Geräts.

Bei Freigabe der Waschanlage gibt das Relais 2 die Aktivierung der Pumpe an (7.5 Anschluss an Alarmer und Relais, Seite 20).

Für die Konfiguration auf das entsprechende Handbuch Bezug nehmen (9.2 Web-Schnittstelle, Seite 21).


8 Einschaltung

-  Der automatische Vorheizvorgang (De-Ice) könnte immer dann aktiviert werden, wenn das Gerät bei einer Umgebungstemperatur von unter 0°C in Betrieb genommen wird. Dieser Vorgang ist notwendig, um die korrekte Funktionalität der Vorrichtung auch bei niedrigen Temperaturen zu gewährleisten. Die Dauer liegt je nach Wetterbedingungen (von 60 Minuten bis zu 120 Minuten).

Für das Einschalten der Einheit die elektrische Versorgung anzulegen.

Die elektrische Versorgung abtrennen, um die Einheit abzuschalten.

8.1 Erstes Einschalten

-  **Sich vergewissern, dass die Einheit und die anderen Komponenten der Anlage in geeigneter Weise geschlossen sind, um den Kontakt mit den spannungsführenden Teilen zu verhindern.**

-  **Vergewissern Sie sich, dass alle Teile fest und zuverlässig befestigt sind.**

9 Konfiguration

9.1 Vorgegebene IP-Adresse

-  Die Einheit ist konfiguriert, um eine IP-Adresse von einem DHCP-Server zu erhalten.

Die über DHCP erhaltene IP-Adresse ist in der Logdatei des DHCP-Servers sichtbar.

Sollte der DHCP nicht verfügbar sein, dann nimmt die Einheit die Konfiguration automatisch mit einer selbst generierten IP-Adresse im Subnetz 169.254.x.x/16 vor. Die IP-Adresse des PC als zum selben Subnetz gehörend konfigurieren (Beispiel: IP-Adresse: 169.254.1.1, subnet mask: 255.255.0.0).

Zur erneuten Suche der IP-Adresse des Geräts ein mit ONVIF oder einem Netzwerk-Sniffer kompatibles VMS verwenden (IP scan utility).

9.2 Web-Schnittstelle

-  **Unterstützte Browser (der letzten Version): Microsoft Edge, Google Chrome, Mozilla Firefox.**

9.2.1 Erster Webseitenaufruf

Der erste Schritt zur Konfiguration der Einrichtung ist die Verbindung mit seiner Web-Schnittstelle.

Um auf die Webschnittstelle des Produkts zuzugreifen, genügt es, eine Verbindung über den Browser mit der Adresse herzustellen: <http://IP Adresse> herzustellen.

Beim ersten Zugriff wird die Startseite angezeigt.

Für die Konfiguration der Webschnittstelle das für die installierte Firmware-Version entsprechende Handbuch heranziehen. Es ist auf der Webseite des Produkts unter www.videotec.com erhältlich.

10 Zubehör und Support

i Für nähere Einzelheiten bzgl. der Konfiguration und Anwendung auf das Handbuch des entsprechenden Zubehörs oder der entsprechenden Halterung Bezug nehmen.

10.1 Waschanlage

Das Produkt kann mit einer externen Pumpe ausgestattet werden, die Wasser für die Reinigung des Glases liefert.

Mitgeliefert ist ein Kit zum Fertigstellen des Waschanlageinbaus.

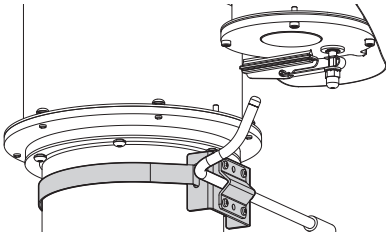


Abb. 16

i Für weitere Infos bitte entsprechendes Kapitel beachten (9.2 Web-Schnittstelle, Seite 21).

10.2 Halterung für Montage an Brüstung oder Decke

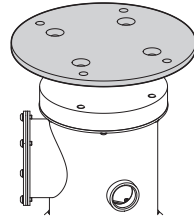


Abb. 17 NXPTZTW.

10.3 Wandhalterung

Halterung für die Wandmontage.

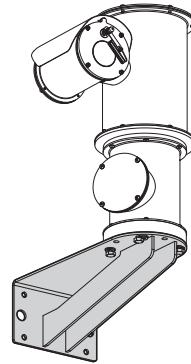


Abb. 18 NXPTZWB.

10.4 Winkeladaptermodul

Eckmontage-Adapter.

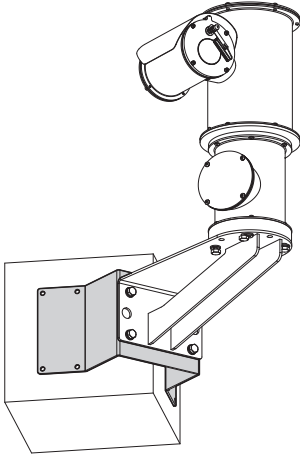


Abb. 19 NXPTZCW.

10.5 Massive Mastschelle

Mastmontage-Adapter.

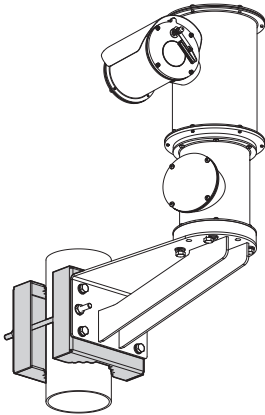


Abb. 20 NXPTZCOL.

10.6 Adapter für den Glasfaseranschluss

Adapter für den Glasfaseranschluss.

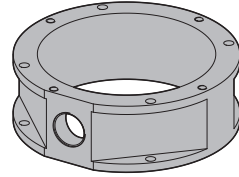


Abb. 21 NXPTZSFP.

11 Anleitung für den normalen Betrieb



Den Scheibenwischer nicht verwenden, wenn die Umgebungstemperatur unter 0°C liegt oder wenn Eis vorhanden ist.



Der Scheibenwischer schaltet sich automatisch aus, wenn er laufen gelassen wird.

Die Gerätesteuerung kann über verschiedene Modi erfolgen:

- Über die Nutzersteuerung der Webschnittstelle (9.2 Web-Schnittstelle, Seite 21).
- Mit der Video Management Software (VMS), die das ONVIF-Protokoll unterstützt. In diesem Fall werden die Sonderbefehle mittels der Hilfsbefehle des ONVIF-Protokolls implementiert.
- Über die Software PTZ Assistant (die Software PTZ Assistant kann von der Webseite des Produkts heruntergeladen werden, und zwar unter: www.videotec.com).

12 Wartung



Vor technischen Eingriffen am Gerät muss die Stromversorgung unterbrochen werden.



ACHTUNG! Die Installation und Wartung der Vorrichtung ist technischen Fachleuten vorbehalten.



Der Hersteller lehnt jede Haftung für Schäden ab, die durch eigenmächtigen Zugriff, die Verwendung nicht originaler Ersatzteile sowie die Installation, Wartung oder Reparatur sämtlicher in diesem Handbuch genannter Geräte durch nicht fachkundige Personen entstehen.



Im Falle von Beschädigungen muss das Auswechseln oder die Reparatur der betreffenden Teile von VIDEOTEC ausgeführt werden bzw. unter ihrer Aufsicht.



Das Auswechseln der aufgeführten Bauteile darf nur durch originale Ersatzbauteile von VIDEOTEC erfolgen, dabei müssen strikt die Wartungsanweisungen im Anhang von jedem Ersatzteilbausatz befolgt werden.



Für jegliche Wartungsarbeiten wird empfohlen, das Produkt für die notwendigen Arbeiten in die Werkstatt zu bringen.

Wenn der Kundendienst von VIDEOTEC kontaktiert wird, muss die Seriennummer zusammen mit dem Identifizierungscode des Modells.

12.1 Übliche Wartung

12.1.1 Überprüfung der Kabel

Die Kabel dürfen keine gefahrenträchtigen Verschleiß- oder Alterungsspuren zeigen. In diesem Fall ist eine außerordentliche Wartung fällig.

12.2 Außerordentliche Wartung

12.2.1 Wechsel der Sicherungen

⚠ Wartung nur durchführen, wenn die Stromversorgung abgetrennt und die Trennvorrichtung offen ist.

⚠ ACHTUNG! Damit ein ständiger Brandschutz garantiert wird, sind die Sicherungen nur in dem gleichen Typ und Wert zu ersetzen. Die Sicherungen sind nur von Fachleuten zu ersetzen.

Bei Bedarf können die Sicherungen der Anschlussleiste im Anschlussraum ausgetauscht werden.

Die Schrauben lösen und den Deckel entfernen.

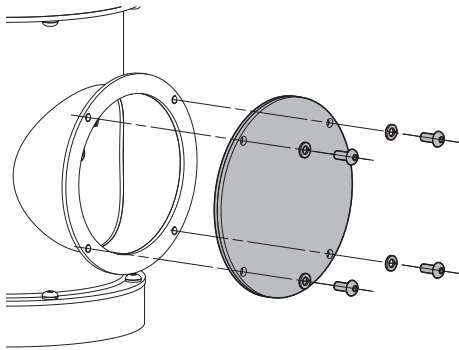


Abb. 22

Die neuen Sicherungen müssen den Angaben der Tabelle entsprechen.

WECHSEL DER SICHERUNGEN		
Versorgungsspannung	Sicherung (F1)	Sicherung (F2)
24Vac, 50/60Hz	T 4A H 250V 5x20	T 4A H 250V 5x20
120Vac, 50/60Hz	T 2A H 250V 5x20	T 4A H 250V 5x20
230Vac, 50/60Hz	T 2A H 250V 5x20	T 4A H 250V 5x20

Tab. 7

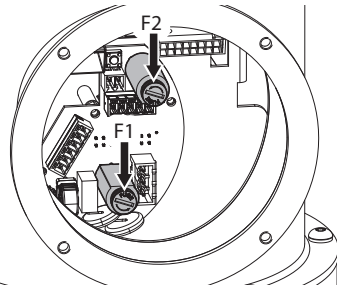


Abb. 23

Nach Beendigung das Produkt wieder schließen.

⚠ Auf die Befestigung achten. Anzugsdrehmoment: 1.5Nm (±0.2Nm).

12.2.2 Factory Default

⚠ Wenn das Zugangskennwort nicht mehr auffindbar ist, können die Werkseinstellungen über eine Rückstellprozedur wiederhergestellt werden.

Für den Reset der werkseitigen Einstellungen bezüglich Netz, Benutzerzugriff und Konfiguration der Kamera folgende Prozedur ausführen:

- Einheit abschalten.
- Unter Verwendung eines potenzialfreien Kontakts das Resetsignal (schwarzes Kabel) und die zugehörige Spannungsversorgung (weißes/gelbes Kabel) verbinden.
- Die Einheit mit Strom versorgen.
- 2 Minuten warten.
- Einheit abschalten.
- Den Kontakt zwischen Reset und der zugehörigen Spannungsversorgung öffnen.
- Die Einheit mit Strom versorgen.

i Wenn die Factory-Default-Prozedur einmal abgeschlossen ist, muss die Einheit wie im entsprechenden Kapitel beschrieben konfiguriert werden: 9.1 Vorgegebene IP-Adresse, Seite 21.

13 Reinigung



Die Häufigkeit der Eingriffe hängt von der Umgebung ab, in der die Einheit verwendet wird.

13.1 Fensterreinigung



Zu vermeiden sind Äthylalkohol, Lösungsmittel, hydrierte Kohlenwasserstoffe, starke Säuren und alkalische Lösungen. Diese Produkte können die behandelte Oberfläche beschädigen.

Es wird empfohlen, ein weiches Tuch und neutrale mit Wasser verdünnte Seife oder ein spezifisches Reinigungsmittel für Brillengläser zu verwenden.

13.2 Reinigung des Produktes

Die Reinigung muss mit einem feuchten Tuch ohne Zuhilfenahme von Druckluft vorgenommen werden.

14 Informationen bezüglich Entsorgung und Recycling

Die EU-Richtlinie 2012/19/EU über Elektro- und Elektronik-Altgeräte (WEEE) verpflichtet, dass diese Geräte nicht zusammen mit festen Haushaltsabfällen entsorgt werden sollten. Diese besonderen Abfällen müssen separat gesammelt werden, um den Rückgewinnungsstrom und das Recycling der darin enthaltenen Materialien zu optimieren, sowie zur Minderung der Einwirkung auf die menschliche Gesundheit und Umwelt aufgrund des Vorhandenseins von potentiell gefährlichen Stoffen.



Das Symbol des gekreuzten Müllbehälters ist auf allen Produkten markiert, um sich daran zu erinnern.

Die Abfälle dürfen an die ausgewiesenen Müllsammelstellen gebracht werden. Andernfalls darf man es kostenlos an den Vertragshändler bringen, bei dem das Gerät gekauft wurde. Das kann beim Einkauf von neuen gleichartigen Produkten passieren oder auch ohne Verpflichtung eines Neukaufes, falls die Größe des Gerätes kleiner als 25 cm ist.

Mehr Informationen über die korrekte Entsorgung dieser Geräte erhalten Sie bei der entsprechenden Behörde.

15 Problemlösung



Das autorisierte Kundenzentrum für jedes nicht beschriebene Problem oder bei weiterhin bestehenden Problemen kontaktieren.

PROBLEM	Das Produkt lässt sich nicht einschalten.
URSACHE	Falsche Verkabelung, Schmelzsicherungen durchgebrannt.
LÖSUNG	Anschlüsse prüfen. Die Kontinuität der Sicherungen überprüfen und im Falle eines Defektes müssen sie durch die aufgeführten Modelle ersetzt werden.
PROBLEM	Der Bereich der Aufnahme stimmt mit der aufgerufenen Presetposition nicht überein.
URSACHE	Verlust der absoluten Referenzposition.
LÖSUNG	Die Justierung an der Einrichtung oder einen Reset durch Ausschalten und erneutes Einschalten an der Einheit vornehmen.
PROBLEM	Die Einrichtung bewegt sich während der Inbetriebnahme nicht.
URSACHE	Die Umgebungstemperatur ist zu niedrig.
LÖSUNG	Ende des Vorheizvorgangs abwarten. Auf der Webseite wird folgende Meldung gezeigt: De-Ice-Verfahren läuft.

16 Technische Daten

16.1 NXPTZ SERIES2 (NXPTZHD)

16.1.1 Mechanik

Kein mechanisches Spiel

Vorinstalliertes mehrpoliges Kabel (3m, auf Anfrage sind verschiedene Längen erhältlich)

Horizontale Drehung: 360°, kontinuierliche Drehung

Vertikale Drehung: von -90° bis zu +90°

Schwenkgeschwindigkeit rechts - links (einstellbar): von 0.1°/s bis zu 100°/s

Neigegeschwindigkeit Auf-Ab einstellbar (einstellbar): von 0.1°/s bis zu 100°/s

Genauigkeit beim Aufruf der Preset- Positionen: 0.02°

Vorinstallierter Wischer

Einheitsgewicht: 22kg

16.1.2 Fenster für Gehäuse

Fenster Extraklarglas

- Stärke: 5mm

16.1.3 Elektrik

Versorgungsspannung/Stromaufnahme:

- 230Vac ±10%, 0.5A max, 50/60Hz
- 120Vac ±10%, 1A max, 50/60Hz
- 24Vac ±10%, 5A max, 50/60Hz

Leistungsaufnahme:

- 120W max
- 30W, S-N-Kopf unbewegt, ohne Heizung

16.1.4 Netzwerk

RJ45-Port

- Ethernet-Verbindung: 10BASE-T/100BASE-T

Slot SFP (SMALL FORM FACTOR PLUGGABLE)

- Ethernet-Verbindung:100BASE-FX
- Versorgungsspannung: 3.3V
- Standard: MSA-konform

Das SFP Modul, das nicht von VIDEOTEC geliefert wird, muss folgenden Anforderungen nachkommen:

- Laser: Class 1, in Übereinstimmung mit EN60825-1
- Zertifizierung: UL/IEC 60950-1 oder UL/IEC 62368-1

16.1.5 Cybersecurity

Digitale Signatur der Firmware

Zugangsbeschränkung mit Passwort (HTTP digest)

Unterschiedliche Benutzerzugangslevel werden unterstützt

Zugangskontrolle IEEE 802.1X

HTTPS-Verschlüsselung mit TLS1.0, TLS1.1, TLS1.2 und TLS1.3

Zentralisierte Zertifikateverwaltung

In Übereinstimmung mit den ONVIF Security Service Spezifikationen

16.1.6 Video

Video-Encoder

- Kommunikationsprotokoll: ONVIF, Profil Q, Profil S und Profil T
- Gerätekonfiguration: TCP/IPv4-IPv6, UDP/IPv4-IPv6, HTTP, HTTPS, NTP, DHCP, WS-DISCOVERY, DSCP, IGMP (Multicast), SOAP, DNS
- Streaming: RTSP, RTCP, RTP/IPv4-IPv6, HTTP, Multicast
- Video-Komprimierung: H.264/AVC, MJPEG, MPEG4, snapshot JPEG
- 3 unabhängige Video-Streams Full HD
- Bildauflösung: von 320x180pixel bis zu 1920x1080pixel in 8 Schritten
- Wählbare Framerate von 1 bis 60 Bilder pro Sekunde
- Webserver
- Direktionales OSD (maximal 4 einstellbare Bereiche)
- Motion Detection
- Videoanalysen: VIDEOTEC ANALYTICS (Sonderausstattung)
- QoS: Differenzierte DSCPs für Streaming und Geräteverwaltung
- Protokolle SNMP und NTCIP

16.1.7 I/O-Schnittstelle

I/O Alarm-Karte:

- Alarmeingänge: 1
- Relais-Ausgänge: 1+1 (1 Relais nur für die Scheibenwaschpumpe und ein konfigurierbares Relais, 1A, 30Vac/60Vdc max)

Eingang zum Zurücksetzen von fern: 1

16.1.8 Kamera

SONY FCB-EV7520 Day/Night Full HD 30x

Auflösung: Full HD 1080p (1920x1080)

Image Sensor: 1/2.8" Exmor™ R CMOS sensor

Effektive Pixel: ca. 2.13 Megapixels

Mindestbeleuchtung:

- Farbe: 0.0013lx (50 IRE, High sensitivity on)
- B/W: 0.0008lx (30 IRE, High sensitivity on)

Brennweitenlänge: von 4.3mm (wide) bis zu 129mm (Tele)

Zoom:

- 30x
- 36x, mit Stable Zoom Eingeschaltet

Digital-Zoom: 12x

Iris: von F1.6 bis zu F14 (Auto, Manuell)

Horizontale Blickwinkel: von 63.7° (wide end) bis zu 2.3° (tele end)

Vertikale Bildwinkel: von 38.5° (wide end) bis zu 1.3° (tele end)

Verschlusszeit: von 1/1s bis zu 1/10000s (Auto, Manuell)

Weißabgleich: Auto, Auto Tracing, Indoor, Outdoor, Manuell, Outdoor Auto, Sodium Lamp (Fix/Auto/Outdoor Auto)

Gain: von 0dB bis zu 50.0dB (Auto, Manuell)

Wide Dynamic Range: 120dB

Focus System: Auto (PTZ Trigger, Full Auto), Manuell

Bildeffekte: E-flip

Verringerung des Bildrauschens (2D, 3D): Off, On (von Stufe 1 bis zu Stufe 5)

Belichtungskontrolle: Auto, Manuell, Priorität (Shutter Priority, Iris Priority, Priorität Helligkeit)

De-fog: Off, Low, Mid, High

Dynamische Maskierung der Privatbereiche (PTZ): maximal 24 einstellbare Masken, maximal 8 gleichzeitig anzeigbare Masken

Maskierung der Privatbereiche (Kamera): maximale 8 einstellbare Masken

Indoor Flicker Reduction

Gain Limit: von 10.7dB bis zu 50dB

High sensitivity: On/Off

Backlight-Kompensation: On/Off

Auto Slowshutter: On/Off

Belichtung- korrektur: Off, On (von -10.5dB bis zu +10.5dB)

Schärfe: von Stufe 0 bis zu Stufe 15

High Light Compensation (HLC): Off, Low, Mid, High, Maskierungsstufe (Off, On, von Stufe 1 bis zu Stufe 15)

Digitale Bildstabilisierung: On/Off

Day/Night Full HD 30x DELUX

Auflösung: Full HD 1080p (1920x1080)

Image Sensor: 1/2.8" Exmor™ R CMOS sensor

Effektive Pixel: ca. 2.38 Megapixels

Mindestbeleuchtung:

- Farbe: 0.006lx (F1.6, 30 IRE)
- B/W: 0.0006lx (F1.6, 30 IRE)

Brennweitenlänge: von 4.5mm (wide) bis zu 135mm (Tele)

Zoom: 30x (480x mit digitalem Zoom)

Iris: von F1.6 bis zu F9.6 (Auto, Manuell)

Horizontale Blickwinkel: von 61.60° (wide end) bis zu 2.50° (tele end)

Vertikale Bildwinkel: von 37.07° (wide end) bis zu 1.44° (tele end)

Verschlusszeit: von 1/1s bis zu 1/10000s (Auto, Manuell)

Weißabgleich: Auto, Manuell

Gain: von 0dB bis zu 100dB (Auto, Manuell)

Wide Dynamic Range: 120dB

Focus System: Auto, Manuell, Trigger

Bildeffekte: E-flip, Farbverbesserung

Verringerung des Bildrauschens: 2D (3 Stufen), 3D (3 Stufen)

Belichtungskontrolle: Auto, Manuell, Priorität (Priorität Iris, Priorität Shutter), Helligkeit, Custom

De-fog: On/Off

Maskierung der Privatbereiche: maximale 8 einstellbare Masken

Indoor Flicker Reduction

Auto Slowshutter: Off, On (von 1/30s bis zu 1/1s)

Belichtung- korrektur: Off, On (von Stufe 0 bis zu Stufe 14)

Schärfe: von Stufe 0 bis zu Stufe 3

16.1.9 Umgebung

Montage für den Innen- und Außenbereich

Betriebstemperatur

- Durchgehende Arbeit: von -40°C bis zu +65°C
- Temperaturtest in Übereinstimmung mit NEMA-TS 2-2003 (R2008) Par. 2.1.5.1, Testprofil Abb. 2-1 (-34°C bis +74°C) (nicht für Ausführungen mit VIDEOTEC ANALYTICS gültig)
- Eingreifen der Enteisungsfunktion (Kaltstart): von -40°C bis zu -10°C

Relative Luftfeuchtigkeit: von 5% bis zu 95%

16.1.10 Zertifizierungen

Elektrische Sicherheit (CE): EN60950-1, IEC60950-1, EN62368-1, IEC62368-1

Elektromagnetische Verträglichkeit (CE): EN50130-4, EN55032 (Klasse A), EN61000-6-4, EN61000-3-2, EN61000-3-3

Außeninstallation (CE): EN60950-22, ICE60950-22

Schutzart IP (EN/IEC60529): IP66, IP67, IP68, IP69

UL- Zertifizierung (UL60950-1, CAN/CSA C22.2 No. 60950-1-07, UL62368-1, CAN/CSA C22.2 No. 62368-1-14): cULus Listed (nur für Version 24Vac)

Elektromagnetische Verträglichkeit (Nordamerika): FCC part 15 (Klasse A), ICES-003 (Klasse A)

Schutzart Type (UL50E): 4X (nur für Version 24Vac)

EAC-Zertifizierung

RoHS (CE): EN IEC 63000

Waste Electrical and Electronic Equipment (WEEE), Richtlinie 2012/19/EU

16.1.11 Zertifizierungen - Marine-Anwendungen

Zertifizierung Lloyd's Register Marine Type Approval (die 24Vac- und 120Vac-Ausführungen benötigen einen als Zubehör erhältlichen Filter FM1010):

- Test Specification Number 1 (ENV1, ENV2, ENV3, ENV5)

Elektromagnetische Verträglichkeit: EN60945

Salznebelbeständig: EN60068-2-52

Getestet bei 70°C für 16 Stunden in Übereinstimmung mit EN60068-2-2

16.2 NXPTZR SERIES2 (NXPTZR)

16.2.1 Mechanik

Kein mechanisches Spiel

Vorinstalliertes mehrpoliges Kabel (3m, auf Anfrage sind verschiedene Längen erhältlich)

Horizontale Drehung: 360°, kontinuierliche Drehung

Vertikale Drehung: von -90° bis zu +90°

Schwenkgeschwindigkeit rechts - links (einstellbar): von 0.1°/s bis zu 100°/s

Neigegeschwindigkeit Auf-Ab einstellbar (einstellbar): von 0.1°/s bis zu 100°/s

Genauigkeit beim Aufruf der Preset- Positionen: 0.02°

Einheitsgewicht: 22kg

16.2.2 Fenster für Gehäuse

Fensterscheibe aus Germanium (Optiken mit 9mm, 13mm, 19mm, 25mm, 35mm)

- Stärke: 1.5mm
- Außenbehandlung: kratzfest (Hard Carbon Coating - DLC)
- Innenbehandlung: entspiegelt
- Spektralbereich: von 7.5µm bis zu 14µm
- Mittel Transmittanz (von 7.5µm bis zu 11.5µm): 91.2%
- Mittel Transmittanz (von 11.5µm bis zu 14µm): 80.9%

Fensterscheibe aus Germanium (Optik mit 50mm)

- Stärke: 2mm
- Außenbehandlung: kratzfest (Hard Carbon Coating - DLC)
- Innenbehandlung: entspiegelt
- Spektralbereich: von 7.5µm bis zu 14µm
- Mittel Transmittanz (von 7.5µm bis zu 11.5µm): 90%
- Mittel Transmittanz (von 11.5µm bis zu 14µm): 77%

16.2.3 Elektrik

Versorgungsspannung/Stromaufnahme:

- 230Vac \pm 10%, 0.5A max, 50/60Hz
- 120Vac \pm 10%, 1A max, 50/60Hz
- 24Vac \pm 10%, 5A max, 50/60Hz

Leistungsaufnahme:

- 120W max
- 30W, S-N-Kopf unbewegt, ohne Heizung

16.2.4 Netzwerk

RJ45-Port

- Ethernet-Verbindung: 10BASE-T/100BASE-T

Slot SFP (SMALL FORM FACTOR PLUGGABLE)

- Ethernet-Verbindung: 100BASE-FX
- Versorgungsspannung: 3.3V
- Standard: MSA-konform

Das SFP Modul, das nicht von VIDEOTEC geliefert wird, muss folgenden Anforderungen nachkommen:

- Laser: Class 1, in Übereinstimmung mit EN60825-1
- Zertifizierung: UL/IEC 60950-1 oder UL/IEC 62368-1

16.2.5 Cybersecurity

Digitale Signatur der Firmware

Zugangsbeschränkung mit Passwort (HTTP digest)

Unterschiedliche Benutzerzugangslevel werden unterstützt

Zugangskontrolle IEEE 802.1X

HTTPS-Verschlüsselung mit TLS1.0, TLS1.1, TLS1.2 und TLS1.3

Zentralisierte Zertifikateverwaltung

In Übereinstimmung mit den ONVIF Security Service Spezifikationen

16.2.6 Video

Video-Encoder

- Kommunikationsprotokoll: ONVIF, Profil Q, Profil S und Profil T, ONVIF Thermal Service
- Gerätekonfiguration: TCP/IPv4-IPv6, UDP/IPv4-IPv6, HTTP, HTTPS, NTP, DHCP, WSDISCOVERY, DSCP, IGMP (Multicast), SOAP, DNS
- Streaming: RTSP, RTCP, RTP/IPv4-IPv6, HTTP, Multicast
- Video-Komprimierung: H.264/AVC, MJPEG, MPEG4, snapshot JPEG
- 3 unabhängige Video-Streams
- Bildauflösung: von 160x120pixel bis zu 720x480pixel in 5 Schritten
- Wählbare Framerate von 1 bis 30 Bilder pro Sekunde
- Webserver
- Direktionales OSD (maximal 4 einstellbare Bereiche)
- Motion Detection
- QoS: Differenzierte DSCPs für Streaming und Geräteverwaltung
- Protokolle SNMP und NTCIP

16.2.7 I/O-Schnittstelle

I/O Alarm-Karte:

- Alarmeingänge: 1
- Relais-Ausgänge: 1+1 (1 Relais nur für die Scheibenwaschpumpe und ein konfigurierbares Relais, 1A, 30Vac/60Vdc max)

Eingang zum Zurücksetzen von fern: 1

16.2.8 Kamera

In der entsprechenden Tabelle nachsehen (16.4 Wärmebildkameras, Seite 35).

16.2.9 Umgebung

Montage für den Innen- und Außenbereich

Betriebstemperatur

- Durchgehende Arbeit: von -40°C bis zu +65°C
- Temperaturtest in Übereinstimmung mit NEMA-TS 2-2003 (R2008) Par. 2.1.5.1, Testprofil Abb. 2-1 (-34°C bis +74°C)
- Eingreifen der Enteisungsfunktion (Kaltstart): von -40°C bis zu -10°C

Relative Luftfeuchtigkeit: von 5% bis zu 95%

16.2.10 Zertifizierungen

Elektrische Sicherheit (CE): EN60950-1, IEC60950-1, EN62368-1, IEC62368-1

Elektromagnetische Verträglichkeit (CE): EN61000-6-4, EN61000-3-2, EN61000-3-3, EN50130-4, EN55032 (Klasse A)

Außeninstallation (CE): EN60950-22, ICE60950-22

Schutzart IP (EN/IEC60529): IP66, IP67, IP68, IP69

UL-Zertifizierung (UL60950-1, CAN/CSA C22.2 No. 60950-1-07, UL62368-1, CAN/CSA C22.2 No. 62368-1-14): cULus Listed (nur für Version 24Vac)

Elektromagnetische Verträglichkeit (Nordamerika): FCC part 15 (Klasse A), ICES-003 (Klasse A)

Schutzart Type (UL50E): 4X (nur für Version 24Vac)

EAC-Zertifizierung

RoHS (CE): EN IEC 63000

Waste Electrical and Electronic Equipment (WEEE), Richtlinie 2012/19/EU

16.2.11 Zertifizierungen - Marine-Anwendungen

Zertifizierung Lloyd's Register Marine Type Approval (die 24Vac- und 120Vac-Ausführungen benötigen einen als Zubehör erhältlichen Filter FM1010):

- Test Specification Number 1 (ENV1, ENV2, ENV3, ENV5)

Elektromagnetische Verträglichkeit: EN60945

Salznebelbeständig: EN60068-2-52

Getestet bei 70°C für 16 Stunden in Übereinstimmung mit EN60068-2-2

16.3 NXPTZT SERIES2 (NXPTZT)

16.3.1 Mechanik

Kein mechanisches Spiel

Vorinstalliertes mehrpoliges Kabel (3m, auf Anfrage sind verschiedene Längen erhältlich)

Horizontale Drehung: 360°, kontinuierliche Drehung

Vertikale Drehung: von -90° bis zu +90°

Schwenkgeschwindigkeit rechts - links (einstellbar): von 0.1°/s bis zu 100°/s

Neigegeschwindigkeit Auf-Ab einstellbar (einstellbar): von 0.1°/s bis zu 100°/s

Genauigkeit beim Aufruf der Preset-Positionen: 0.02°

Vorinstallierter Wischer

Einheitsgewicht: 24Kg

16.3.2 Fenster für Gehäuse

Fenster Extraklarglas

- Stärke: 5mm

Fensterscheibe aus Germanium (Optiken mit 9mm, 13mm, 19mm, 25mm, 35mm)

- Stärke: 1.5mm
- Außenbehandlung: kratzfest (Hard Carbon Coating - DLC)
- Innenbehandlung: entspiegelt
- Spektralbereich: von 7.5µm bis zu 14µm
- Mittel Transmittanz (von 7.5µm bis zu 11.5µm): 91.2%
- Mittel Transmittanz (von 11.5µm bis zu 14µm): 80.9%

Fensterscheibe aus Germanium (Optik mit 50mm)

- Stärke: 2mm
- Außenbehandlung: kratzfest (Hard Carbon Coating - DLC)
- Innenbehandlung: entspiegelt
- Spektralbereich: von 7.5µm bis zu 14µm
- Mittel Transmittanz (von 7.5µm bis zu 11.5µm): 90%
- Mittel Transmittanz (von 11.5µm bis zu 14µm): 77%

16.3.3 Elektrik

Versorgungsspannung/Stromaufnahme:

- 230Vac \pm 10%, 0.5A max, 50/60Hz
- 120Vac \pm 10%, 1A max, 50/60Hz
- 24Vac \pm 10%, 5A max, 50/60Hz

Leistungsaufnahme:

- 120W max
- 30W, S-N-Kopf unbewegt, ohne Heizung

16.3.4 Netzwerk

RJ45-Port

- Ethernet-Verbindung: 10BASE-T/100BASE-T

Slot SFP (SMALL FORM FACTOR PLUGGABLE)

- Ethernet-Verbindung:100BASE-FX
- Versorgungsspannung: 3.3V
- Standard: MSA-konform

Das SFP Modul, das nicht von VIDEOTEC geliefert wird, muss folgenden Anforderungen nachkommen:

- Laser: Class 1, in Übereinstimmung mit EN60825-1
- Zertifizierung: UL/IEC 60950-1 oder UL/IEC 62368-1

16.3.5 Cybersecurity

Digitale Signatur der Firmware

Zugangsbeschränkung mit Passwort (HTTP digest)

Unterschiedliche Benutzerzugangslevel werden unterstützt

Zugangskontrolle IEEE 802.1X

HTTPS-Verschlüsselung mit TLS1.0, TLS1.1, TLS1.2 und TLS1.3

Zentralisierte Zertifikatverwaltung

In Übereinstimmung mit den ONVIF Security Service Spezifikationen

16.3.6 Video

Day/Night-Kamera

Video-Encoder

- Kommunikationsprotokoll: ONVIF, Profil Q, Profil S und Profil T
- Gerätekonfiguration: TCP/IPv4-IPv6, UDP/IPv4-IPv6, HTTP, HTTPS, NTP, DHCP, WS-DISCOVERY, DSCP, IGMP (Multicast), SOAP, DNS
- Streaming: RTSP, RTCP, RTP/IPv4-IPv6, HTTP, Multicast
- Video-Komprimierung: H.264/AVC, MJPEG, MPEG4, snapshot JPEG
- 3 unabhängige Video-Streams Full HD
- Bildauflösung: von 320x180pixel bis zu 1920x1080pixel in 8 Schritten
- Wählbare Framerate von 1 bis 60 Bilder pro Sekunde
- Webserver
- Direktionales OSD (maximal 4 einstellbare Bereiche)
- Motion Detection
- QoS: Differenzierte DSCPs für Streaming und Geräteverwaltung
- Protokolle SNMP und NTCIP

Wärmebildkamera

Video-Encoder

- Kommunikationsprotokoll: ONVIF, Profil Q, Profil S und Profil T, ONVIF Thermal Service
- Gerätekonfiguration: TCP/IPv4-IPv6, UDP/IPv4-IPv6, HTTP, HTTPS, NTP, DHCP, WSDISCOVERY, DSCP, IGMP (Multicast), SOAP, DNS
- Streaming: RTSP, RTCP, RTP/IPv4-IPv6, HTTP, Multicast
- Video-Komprimierung: H.264/AVC, MJPEG, MPEG4, snapshot JPEG
- 3 unabhängige Video-Streams
- Bildauflösung: von 160x120pixel bis zu 720x480pixel in 5 Schritten
- Wählbare Framerate von 1 bis 30 Bilder pro Sekunde
- Webserver
- Direktionales OSD (maximal 4 einstellbare Bereiche)
- Motion Detection
- QoS: Differenzierte DSCPs für Streaming und Geräteverwaltung
- Protokolle SNMP und NTCIP

16.3.7 I/O-Schnittstelle

I/O Alarm-Karte:

- Alarmeingänge: 1
- Relais-Ausgänge: 1+1 (1 Relais nur für die Scheibenwaschpumpe und ein konfigurierbares Relais, 1A, 30Vac/60Vdc max)

Eingang zum Zurücksetzen von fern: 1

16.3.8 Kamera

SONY FCB-EV7520 Day/Night Full HD 30x

Auflösung: Full HD 1080p (1920x1080)

Image Sensor: 1/2.8" Exmor™ R CMOS sensor

Effektive Pixel: ca. 2.13 Megapixels

Mindestbeleuchtung:

- Farbe: 0.0013lx (50 IRE, High sensitivity on)
- B/W: 0.0008lx (30 IRE, High sensitivity on)

Brennweitenlänge: von 4.3mm (wide) bis zu 129mm (Tele)

Belichtung- korrektur: Off, On (von -10.5dB bis zu +10.5dB)

Schärfe: von Stufe 0 bis zu Stufe 15

High Light Compensation (HLC): Off, Low, Mid, High, Maskierungsstufe (Off, On, von Stufe 1 bis zu Stufe 15)

Digitale Bildstabilisierung: On/Off

MNVNCXPTZ2_2222_DE

Zoom:

- 30x
- 36x, mit Stable Zoom Eingeschaltet

Digital-Zoom: 12x

Iris: von F1.6 bis zu F14 (Auto, Manuell)

Horizontale Blickwinkel: von 63.7° (wide end) bis zu 2.3° (tele end)

Vertikale Bildwinkel: von 38.5° (wide end) bis zu 1.3° (tele end)

Verschlusszeit: von 1/1s bis zu 1/10000s (Auto, Manuell)

Weißabgleich: Auto, Auto Tracing, Indoor, Outdoor, Manuell, Outdoor Auto, Sodium Lamp (Fix/Auto/Outdoor Auto)

Gain: von 0dB bis zu 50.0dB (Auto, Manuell)

Wide Dynamic Range: 120dB

Focus System: Auto (PTZ Trigger, Full Auto), Manuell

Bildeffekte: E-flip

Verringerung des Bildrauschens (2D, 3D): Off, On (von Stufe 1 bis zu Stufe 5)

Belichtungskontrolle: Auto, Manuell, Priorität (Shutter Priority, Iris Priority, Priorität Helligkeit)

De-fog: Off, Low, Mid, High

Dynamische Maskierung der Privatbereiche (PTZ): maximal 24 einstellbare Masken, maximal 8 gleichzeitig anzeigbare Masken

Maskierung der Privatbereiche (Kamera): maximale 8 einstellbare Masken

Indoor Flicker Reduction

Gain Limit: von 10.7dB bis zu 50dB

High sensitivity: On/Off

Backlight-Kompensation: On/Off

Auto Slowshutter: On/Off

Belichtung- korrektur: Off, On (von -10.5dB bis zu +10.5dB)

Schärfe: von Stufe 0 bis zu Stufe 15

High Light Compensation (HLC): Off, Low, Mid, High, Maskierungsstufe (Off, On, von Stufe 1 bis zu Stufe 15)

Digitale Bildstabilisierung: On/Off

Wärmebildkameras

In der entsprechenden Tabelle nachsehen (16.4 Wärmebildkameras, Seite 35).

16.3.9 Umgebung

Montage für den Innen- und Außenbereich

Betriebstemperatur

- Durchgehende Arbeit: von -40°C bis zu +65°C
- Temperaturtest in Übereinstimmung mit NEMA-TS 2-2003 (R2008) Par. 2.1.5.1, Testprofil Abb. 2-1 (-34°C bis +74°C)
- Eingreifen der Enteisungsfunktion (Kaltstart): von -40°C bis zu -10°C

Relative Luftfeuchtigkeit: von 5% bis zu 95%

16.3.10 Zertifizierungen

Elektrische Sicherheit (CE): EN60950-1, IEC60950-1, EN62368-1, IEC62368-1

Elektromagnetische Verträglichkeit (CE): EN61000-6-4, EN61000-3-2, EN61000-3-3, EN50130-4, EN55032 (Klasse A)

Außeninstallation (CE): EN60950-22, ICE60950-22

Schutzart IP (EN/IEC60529): IP66, IP67, IP68, IP69

UL-Zertifizierung (UL60950-1, CAN/CSA C22.2 No. 60950-1-07, UL62368-1, CAN/CSA C22.2 No. 62368-1-14): cULus Listed (nur für Version 24Vac)

Elektromagnetische Verträglichkeit (Nordamerika): FCC part 15 (Klasse A), ICES-003 (Klasse A)

Schutzart Type (UL50E): 4X (nur für Version 24Vac)

EAC-Zertifizierung

Restriction of Hazardous Substances (RoHS), Richtlinie 2011/65/EU: EN50581

Waste Electrical and Electronic Equipment (WEEE), Richtlinie 2012/19/EU

16.3.11 Zertifizierungen - Marine-Anwendungen

Zertifizierung Lloyd's Register Marine Type Approval (die 24Vac- und 120Vac-Ausführungen benötigen einen als Zubehör erhältlichen Filter FM1010):

- Test Specification Number 1 (ENV1, ENV2, ENV3, ENV5)

Elektromagnetische Verträglichkeit: EN60945

Salznebelbeständig: EN60068-2-52

Getestet bei 70°C für 16 Stunden in Übereinstimmung mit EN60068-2-2

16.4 Wärmebildkameras

WÄRMEBILDKAMERAS (AUFLÖSUNG 336X256)						
Objektiv	9mm	13mm	19mm	25mm	35mm	50mm
Ungekühlter mikrobolometrischer Sensor VOx	√	√	√	√	√	√
Interpolierte Auflösung	720x480	720x480	720x480	720x480	720x480	720x480
Pixelzahl	17µm	17µm	17µm	17µm	17µm	17µm
Spektrale Empfindlichkeit - langwellige Infrarotstrahlung (LWIR)	von 7.5µm bis 13.5µm	von 7.5µm bis 13.5µm	von 7.5µm bis 13.5µm	von 7.5µm bis 13.5µm	von 7.5µm bis 13.5µm	von 7.5µm bis 13.5µm
Interne Blende (nur zur Sensor-Kompensation)	Video stop <1s	Video stop <1s	Video stop <1s	Video stop <1s	Video stop <1s	Video stop <1s
Digital Detail Enhancement (DDE)	√	√	√	√	√	√
Digital-Zoom	2x, 4x	2x, 4x	2x, 4x	2x, 4x	2x, 4x	2x, 4x
Bildwiederholfrequenz	7.5fps	7.5fps	7.5fps	7.5fps	7.5fps	7.5fps
Hohe Bildwiederholfrequenz	30fps	30fps	30fps	30fps	30fps	30fps
Szenebereich (High Gain)	-40°C ÷ +160°C	-40°C ÷ +160°C	-40°C ÷ +160°C	-40°C ÷ +160°C	-40°C ÷ +160°C	-40°C ÷ +160°C
Szenebereich (Low Gain)	-40°C ÷ +550°C	-40°C ÷ +550°C	-40°C ÷ +550°C	-40°C ÷ +550°C	-40°C ÷ +550°C	-40°C ÷ +550°C
Horizontaler Sehbereich (HFOV)	35°	25°	17°	13°	9.3°	6.5°
Vertikaler Sehbereich (VFOV)	27°	19°	13°	10°	7.1°	5°
f-number	f/1.25	f/1.25	f/1.25	f/1.1	f/1.2	f/1.2
Thermische Empfindlichkeit (NETD), Wärmebildkamera mit radiometrischen Funktionen	<50mK bei f/1.0	<50mK bei f/1.0	<50mK bei f/1.0	<50mK bei f/1.0	<50mK bei f/1.0	<50mK bei f/1.0
Thermische Empfindlichkeit (NETD), Wärmebildkamera mit erweiterten radiometrischen Funktionen	<30mK bei f/1.0	<30mK bei f/1.0	<30mK bei f/1.0	<30mK bei f/1.0	<30mK bei f/1.0	<30mK bei f/1.0
Mensch (Erfassung / Erkennung / Identifizierung)	285m / 71m / 36m	440m / 112m / 56m	640m / 160m / 80m	930m / 230m / 116m	1280m / 320m / 160m	1700m / 430m / 215m
Auto (Erfassung / Erkennung / Identifizierung)	880m / 220m / 108m	1340m / 340m / 170m	1950m / 500m / 250m	2800m / 710m / 360m	3850m / 950m / 295m	5100m / 1320m / 660m

Die radiometrische Analyse hat keinen Einfluss auf die Kameraleistung.

WÄRMEBILDKAMERAS (AUFLÖSUNG 640X512)

Objectiv	9mm	13mm	19mm	25mm	35mm	50mm
Ungekühlter mikrobolometrischer Sensor VOx	√	√	√	√	√	√
Interpolierte Auflösung	720x480	720x480	720x480	720x480	720x480	720x480
Pixelzahl	17µm	17µm	17µm	17µm	17µm	17µm
Spektrale Empfindlichkeit - langwellige Infrarotstrahlung (LWIR)	von 7.5µm bis 13.5µm	von 7.5µm bis 13.5µm	von 7.5µm bis 13.5µm	von 7.5µm bis 13.5µm	von 7.5µm bis 13.5µm	von 7.5µm bis 13.5µm
Interne Blende (nur zur Sensor-Kompensation)	Video stop <1s	Video stop <1s	Video stop <1s	Video stop <1s	Video stop <1s	Video stop <1s
Digital Detail Enhancement (DDE)	√	√	√	√	√	√
Digital-Zoom	2x, 4x, 8x	2x, 4x, 8x	2x, 4x, 8x	2x, 4x, 8x	2x, 4x, 8x	2x, 4x, 8x
Bildwiederholfrequenz	7.5fps	7.5fps	7.5fps	7.5fps	7.5fps	7.5fps
Hohe Bildwiederholfrequenz	30fps	30fps	30fps	30fps	30fps	30fps
Szenebereich (High Gain)	-40°C ÷ +160°C	-40°C ÷ +160°C	-40°C ÷ +160°C	-40°C ÷ +160°C	-40°C ÷ +160°C	-40°C ÷ +160°C
Szenebereich (Low Gain)	-40°C ÷ +550°C	-40°C ÷ +550°C	-40°C ÷ +550°C	-40°C ÷ +550°C	-40°C ÷ +550°C	-40°C ÷ +550°C
Horizontaler Sehbereich (HFOV)	69°	45°	32°	25°	18°	12.4°
Vertikaler Sehbereich (VFOV)	56°	37°	26°	20°	14°	9.9°
f-number	f/1.4	f/1.25	f/1.25	f/1.1	f/1.2	f/1.2
Thermische Empfindlichkeit (NETD), Wärmebildkamera mit radiometrischen Funktionen	<50mK bei f/1.0	<50mK bei f/1.0	<50mK bei f/1.0	<50mK bei f/1.0	<50mK bei f/1.0	<50mK bei f/1.0
Thermische Empfindlichkeit (NETD), Wärmebildkamera mit erweiterten radiometrischen Funktionen	<30mK bei f/1.0	<30mK bei f/1.0	<30mK bei f/1.0	<30mK bei f/1.0	<30mK bei f/1.0	<30mK bei f/1.0
Mensch (Erfassung / Erkennung / Identifizierung)	250m / 63m / 31m	390m / 95m / 47m	570m / 144m / 72m	820m / 210m / 104m	1140m / 280m / 142m	1500m / 380m / 190m
Auto (Erfassung / Erkennung / Identifizierung)	720m / 175m / 88m	1080m / 275m / 140m	1550m / 400m / 200m	2200m / 580m / 290m	3000m / 800m / 200m	3900m / 1060m / 540m

Die radiometrische Analyse hat keinen Einfluss auf die Kameraleistung.

17 Technische Zeichnungen



Die Maße sind in Millimetern angegeben.

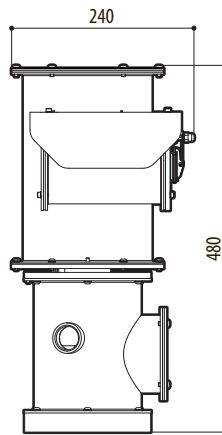
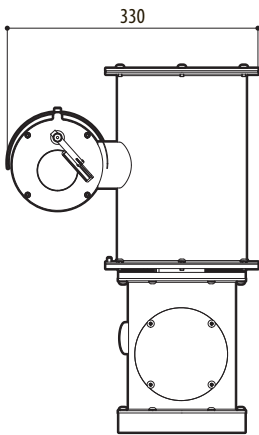
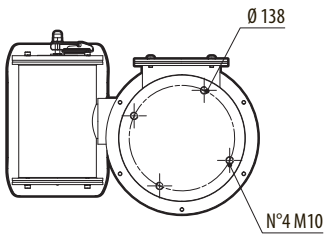


Abb. 24 NXPTZ SERIES2 (NXPTZHD).

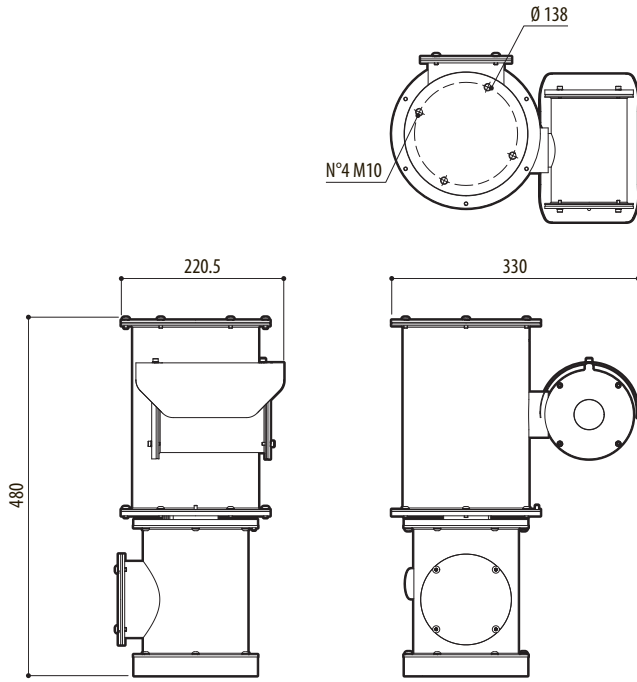


Abb. 25 NXPTZR SERIES2 (NXPTZR).

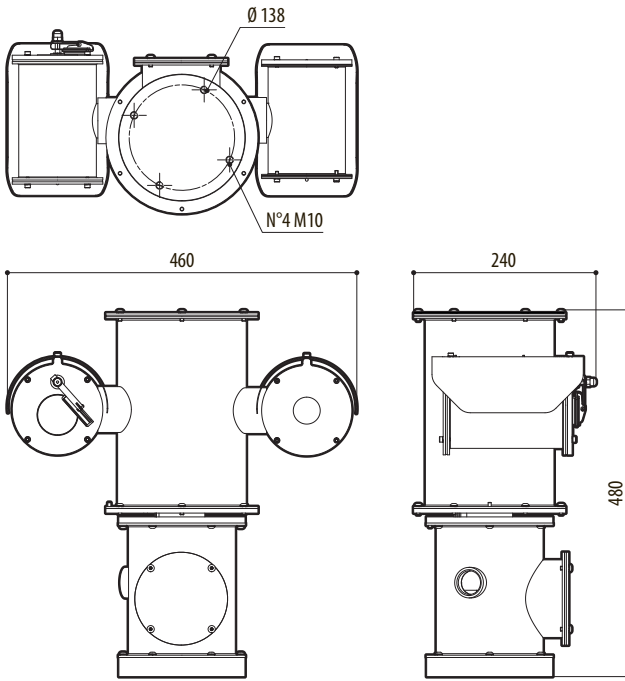


Abb. 26 NXPTZT SERIES2 (NXPTZT).



Headquarters Italy VIDEOTEC s.r.l.
Via Friuli, 6 - I-36015 Schio (VI) - Italy
Tel. +39 0445 697411 - Fax +39 0445 697414
Email: info@videotec.com
www.videotec.com

MNVCNXPZ2_2222_DE

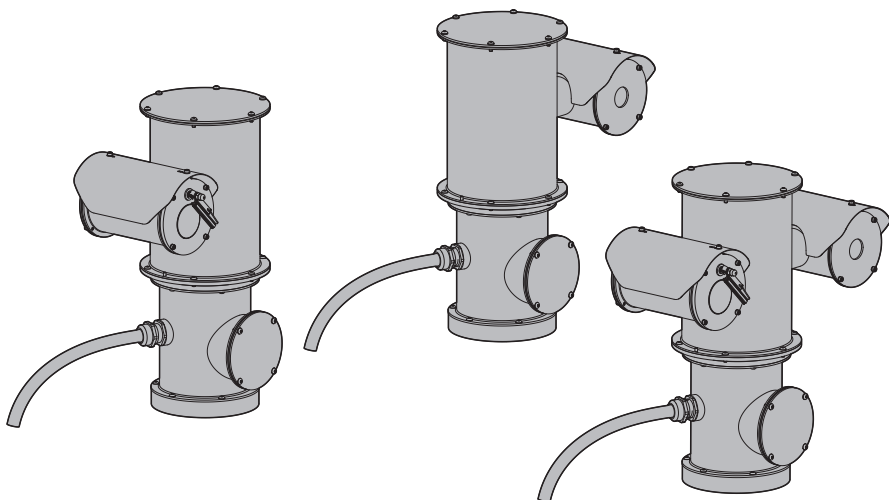


NXPTZ SERIES2 (NXPTZHD)

NXPTZR SERIES2 (NXPTZR)

NXPTZT SERIES2 (NXPTZT)

Однорежимная или двухрежимная PTZ-камера для морских, прибрежных/береговых и промышленных объектов



Комплект оборудования

1	0	1	7
1.1	Типографские условные обозначения		7
2	Примечания в отношении авторского права и информация о торговых марках		7
3	Правила техники безопасности		7
4	Обозначение		10
4.1	Описание и обозначение типа устройства		10
4.2	Маркировка изделия		10
4.2.1	Проверка маркировки		10
5	Модели		11
5.1	Камера Day/Night		11
5.2	Радиометрический тепловизор		11
5.3	Двойное изображение благодаря режимам Day/Night («день-ночь») и радиометрическому тепловизору		11
5.4	Идентификация модели		12
6	Подготовка устройства к использованию		14
6.1	Меры безопасности, предпринимаемые перед началом эксплуатации		14
6.2	Распаковка		14
6.3	Комплект оборудования		14
6.4	Безопасная утилизация упаковочных материалов		14
6.5	Подготовительные работы перед установкой		15
6.5.1	Крепление к парапету или на потолок		15
6.5.2	Крепление с помощью настенного кронштейна		16
6.5.3	Крепление устройства к адаптеру для установки на стойке или адаптеру для установки на угол		16
6.5.3.1	Крепление с помощью адаптера для установки на стойке		16
6.5.3.2	Крепление с помощью адаптера для установки на угол		17
6.5.4	Установка солнцезащитного козырька		17
7	Монтаж		18
7.1	Область применения		18
7.2	Способы установки		18
7.3	Подключение линии питания		19
7.4	Подключите Ethernet-кабель		19
7.5	Подключение аварийных сигналов и реле		20
7.5.1	Подключение аварийного сигнала к сухому контакту		20
7.5.2	Подключения реле		20
7.5.3	Подключение системы омывателя		20
8	Включение		21
8.1	Первый запуск		21
9	Конфигурация		21
9.1	IP-адрес по умолчанию		21
9.2	Веб-интерфейс		21
9.2.1	Первый вход на веб-страницу		21

10 Принадлежности и опоры	22
10.1 Омыватель.....	22
10.2 Парапет или кронштейн для монтажа на потолке.....	22
10.3 Кронштейн для крепления на стене.....	22
10.4 Адаптер для крепления на угол.....	23
10.5 Адаптер для установки на стойке.....	23
10.6 Адаптер для подключения оптического волокна.....	23
11 Инструкции по работе в нормальном режиме	24
12 Техническое обслуживание	24
12.1 Плановое техническое обслуживание	24
12.1.1 Проверка кабелей.....	24
12.2 Внеочередное обслуживание	25
12.2.1 Замена предохранителей	25
12.2.2 Factory Default	25
13 Очистка	26
13.1 Очистка стекла	26
13.2 Очистка устройства	26
14 Информация об утилизации и переработке.....	26
15 Поиск и устранение неисправностей	26
16 Технические характеристики	27
16.1 NXPTZ SERIES2 (NXPTZHD)	27
16.1.1 Механические хар.....	27
16.1.2 Окно кожуха	27
16.1.3 Электрические хар.....	27
16.1.4 Сеть	27
16.1.5 Cybersecurity	27
16.1.6 Видео.....	27
16.1.7 Интерфейс ввода-вывода	27
16.1.8 Камеры	28
16.1.9 Окружающая среда.....	29
16.1.10 Сертификаты	29
16.1.11 Сертификаты - Морское применение	29
16.2 NXPTZR SERIES2 (NXPTZR)	29
16.2.1 Механические хар.....	29
16.2.2 Окно кожуха.....	29
16.2.3 Электрические хар.....	30
16.2.4 Сеть.....	30
16.2.5 Cybersecurity	30
16.2.6 Видео	30
16.2.7 Интерфейс ввода-вывода.....	30
16.2.8 Камеры.....	31
16.2.9 Окружающая среда.....	31
16.2.10 Сертификаты.....	31
16.2.11 Сертификаты - Морское применение.....	31
16.3 NXPTZT SERIES2 (NXPTZT)	31

16.3.1 Механические хар	31
16.3.2 Окно кожуха	31
16.3.3 Электрические хар	32
16.3.4 Сеть	32
16.3.5 Cybersecurity	32
16.3.6 Видео	32
16.3.7 Интерфейс ввода-вывода	33
16.3.8 Камеры	33
16.3.9 Окружающая среда	34
16.3.10 Сертификаты	34
16.3.11 Сертификаты - Морское применение	34
16.4 Тепловизоры	35
17 Технические чертежи	37

1 О настоящем руководстве

Перед установкой и использованием этого изделия внимательно прочтите всю предоставленную документацию. Всегда держите руководство под рукой, чтобы им можно было воспользоваться в будущем.

1.1 Типографские условные обозначения



ОПАСНОСТЬ!

Высокий уровень опасности. Риск поражения электрическим током. При отсутствии иных указаний отключите питание устройства, перед тем как приступить к выполнению любой операции.



ОПАСНОСТЬ!

Опасность механического повреждения. Риск раздавливания или отрезания.



ПРЕДУПРЕЖДЕНИЕ!

Средний уровень опасности. Данная операция крайне важна для обеспечения надлежащего функционирования системы. Внимательно ознакомьтесь с описанием процедуры и выполните ее в соответствии с приведенными указаниями.



INFO

Описание характеристик системы. Рекомендуем внимательно ознакомиться с содержанием этого раздела, для того чтобы понять следующие этапы.

2 Примечания в отношении авторского права и информация о торговых марках

Названия устройств или компаний, упоминаемые в настоящем документе, являются торговыми марками или зарегистрированными торговыми знаками соответствующих компаний.

Торговая марка ONVIF® принадлежит Onvif, Inc.

3 Правила техники безопасности



ПРЕДУПРЕЖДЕНИЕ! Система электропитания, к которой подключается устройство, должна иметь автоматический двухполюсный выключатель цепи 20А max. Минимальное расстояние между контактами автоматического выключателя цепи должно составлять 3mm. Выключатель цепи должен иметь защиту от тока КЗ на землю (дифференциальная защита) и защиту от перегрузки по току (термомагнитная защита).



Электрическая система оснащается выключателем питания, который можно легко найти и использовать в случае необходимости.



ПРЕДУПРЕЖДЕНИЕ! Опасные движущиеся детали. Следите за тем, чтобы пальцы и другие части тела были на безопасном расстоянии.



ПРЕДУПРЕЖДЕНИЕ! Установка и обслуживание устройства должны осуществляться только специализированным персоналом.



ПРЕДУПРЕЖДЕНИЕ! Система типа НТС-1 Это система типа НТС-1, не подключайте ее к СНБН-схемам.



При необходимости перевезти устройство следует делать это с большой осторожностью. Резкие остановки, неровности на дороге и сильные удары могут привести к повреждению устройства или стать причиной травмы пользователя.

- Производитель не несет ответственности за любые повреждения, возникающие в результате неправильного использования указанного в настоящем руководстве оборудования. Помимо этого, производитель сохраняет за собой право изменять содержание руководства без предварительного уведомления. Представленная в настоящем руководстве документация прошла тщательную проверку. Однако производитель не несет ответственности за ее использование. Аналогичные условия предусмотрены в отношении любого лица или компании, привлеченных для составления и создания данного руководства.

- Перед тем, как приступить к выполнению любых операций, убедитесь в том, что источник питания устройства отключен.
- Не используйте кабели, которые кажутся изношенными или старыми.
- Никогда и ни при каких обстоятельствах не выполняйте изменений или подключений, не предусмотренных настоящим руководством. Ненадлежащее использование оборудования может привести к возникновению серьезных опасных ситуаций, угрожающих безопасности персонала и системы.
- Используйте только оригинальные запасные части. Неоригинальные запасные части могут привести к возникновению пожара, электрического разряда или другой опасной ситуации.
- Перед монтажом проверьте соответствие поставленных материалов спецификациям заказа, сверив идентификационные ярлыки (4.2 Маркировка изделия, страница 10).
- Это устройство разработано для подключения и установки на здании или подходящей конструкции на постоянной основе. Устройство следует надежно закрепить и подключить перед выполнением каких-либо работ.
- Электрическая система оснащается выключателем питания, который можно легко найти и использовать в случае необходимости.
- Это устройство Класса А. При установке в жилых помещениях данное устройство может вызывать радиопомехи. В таком случае пользователю может потребоваться предпринять соответствующие меры.
- В случае изделий с маркировкой UL и питанием 24Vac необходимо использовать разделительный трансформатор UL listed TNV/ES1, соответствующий стандартам IEC/UL 60950-1 и IEC/UL 62368-1.
- Категория установки (также называемая категорией перенапряжения) указывает на уровень сетевых скачков напряжения, которым подвержено оборудование. Категория зависит от места размещения оборудования и наличия каких-либо устройств защиты от скачков напряжения. Оборудование, устанавливаемое на промышленном объекте и напрямую подключаемое к магистральным линиям сети питания, относится к категории установки III. В этом случае необходимо снизить категорию перенапряжения до II. Этого можно добиться путем использования изолирующего трансформатора с заземленным экраном между первичной и вторичной обмоткой или путем установки устройств защиты от скачков напряжения (УЗСН), UL listed, на участке между фазой и нулем, а также нулем и землей. Сертифицированные устройства защиты от скачков напряжения должны обеспечивать многократное ограничение скачков напряжения и подходить для работы в следующих номинальных условиях: Тип 2 (УЗСН, постоянно подключенные к сети питания и предназначенные для установки на стороне нагрузки вспомогательного оборудования); номинальный ток разряда (I_n) мин. 20kA. Например, можно использовать: FERRAZ SHAWMUT, STT2240SPG-CN, STT2BL240SPG-CN с номиналом 120Vac/240Vac, ($I_n=20kA$). Максимальное расстояние между устройством и ограничителем перенапряжения составляет 5m.

- Устройство предназначено для установки в зоне ограниченного доступа, и монтаж должен быть выполнен квалифицированными техническими специалистами.
- Устройство следует подключать через соответствующий источник бесперебойного питания (ИБП) в целях компенсации кратковременной посадки напряжения или кратковременного нарушения электроснабжения.
- Защитное заземление должно выполняться согласно нормам, действующим по месту установки.
- Отдельная защитная заземляющая клемма устройства должна быть постоянно подключена к проводу заземления.
- Для обеспечения постоянной защиты от риска возгорания при замене предохранителей следует использовать предохранители того же типа и номинала. Только обслуживающий персонал может проводить замену предохранителей.
- Подключите устройство к источнику питания в соответствии с указаниями на этикетке с маркировкой. Перед тем как продолжить установку, убедитесь, что линия питания надлежащим образом изолирована. Напряжение сети питания никогда не должно превышать установленные предельные значения ($\pm 10\%$).
- Оборудование включает движущиеся детали. Убедитесь, что устройство расположено в недоступном при нормальном режиме работы месте. Разместите предупреждающую этикетку, предоставленную вместе с оборудованием, рядом с устройством так, чтобы она была хорошо заметна.
- Прикрепите ярлык "Опасные движущиеся детали" рядом с устройством. (Рис. 5, страница 14).
- Не используйте оборудование вблизи воспламеняющихся веществ.
- Только опытные сотрудники должны проводить техническое обслуживание устройства. При проведении технического обслуживания оператор подвергается риску удара током и другим опасностям.
- Используйте только указанные производителем комплектующие. Любое изменение, которое выполняется без разрешения, явным образом предоставленного производителем, аннулирует гарантию.
- Перед подключением всех кабелей убедитесь, что устройство надлежащим образом подключено к цепи заземления.
- Если устройство необходимо демонтировать, всегда отключайте кабель заземления последним.
- Предпринимайте все необходимые меры предосторожности, чтобы предотвратить повреждение оборудования вследствие электрического разряда.
- Обращайтесь с устройством очень осторожно, сильная механическая нагрузка может привести к его повреждению.
- Обратите особое внимание на то, чтобы линия питания была изолирована и находилась на значительном расстоянии от всех других кабелей, в том числе от устройств для защиты от удара молнии.

4 Обозначение

4.1 Описание и обозначение типа устройства

Однорежимная или двухрежимная PTZ-камера для морских, прибрежных/береговых и промышленных объектов.

Серия NXPTZ SERIES2 отличается устойчивостью к ржавчине и коррозии и не требует технического обслуживания благодаря максимальной точности при изготовлении и прочной конструкции из нержавеющей стали марки AISI 316L с электрополированными и прошедшими тонкую дробеструйную обработку поверхностями.

4.2 Маркировка изделия



На устройстве размещается этикетка в соответствии с маркировкой CE.

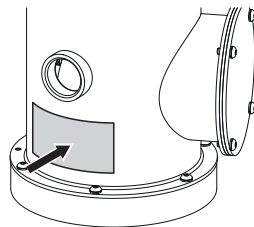


Рис. 1

На этикетке указаны:

- Идентификационный код модели.
- Напряжение сети питания (Volt).
- Частота (Hertz).
- Потребляемый ток (Ampere).
- Стандарт защиты от атмосферных воздействий (IP).
- Серийный номер.

4.2.1 Проверка маркировки

Перед тем как продолжить установку, убедитесь, что предоставленные материалы соответствуют спецификациям заказа, проверив этикетки с маркировкой.

Никогда и ни при каких обстоятельствах не выполняйте изменений или подключений, не предусмотренных настоящим руководством. Ненадлежащее использование оборудования может привести к возникновению серьезных опасных ситуаций, угрожающих безопасности персонала и системы.

Для ознакомления с более подробной информацией о версиях и кодах изделий откройте соответствующую главу. (5 Модели, страница 11).

5 Модели

5.1 Камера Day/Night

Модель с режимом Day/Night («день-ночь») оборудована камерой SONY или камерой с технологией DELUX.

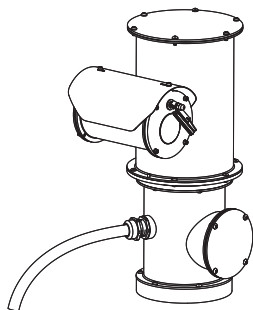


Рис. 2 NXPTZ SERIES2 (NXPTZH).

5.2 Радиометрический тепловизор

Модель с радиометрической и тепловизионной функциями оснащена теплочувствительной камерой с радиометрическими или расширенными радиометрическими функциями.

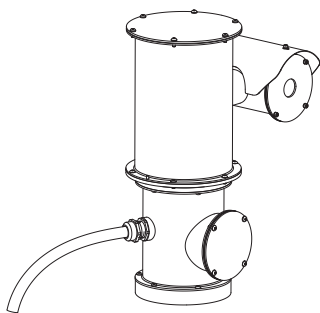


Рис. 3 NXPTZR SERIES2 (NXPTZR).

5.3 Двойное изображение благодаря режимам Day/Night («день-ночь») и радиометрическому тепловизору

Модель с двойным изображением оснащена камерой SONY с режимом Day/Night («день-ночь») и тепловизором с радиометрическими или расширенными радиометрическими функциями.

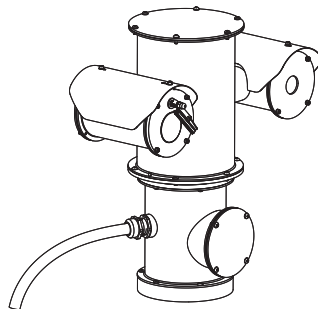


Рис. 4 NXPTZT SERIES2 (NXPTZT).

5.4 Идентификация модели

NXPTZ SERIES2 - ОПЦИИ КОНФИГУРАЦИЙ					
	Напряжение	Камера		Опции	Редакция
NXPTZHD	1 230Vac	1 Камера для сверхнизкого освещения, дневной/ночной режим, 30-кратная трансфокация, FullHD	VW0ZO	0 Без встроенной функции анализа видеоданных (Без VIDEOTECH ANALYTICS)	C Соответствие стандарту ONVIF, Профилю Q, Профилю S и Профилю T
	2 24Vac	2 Камера SONY FCB-EV7520, FULL HD 1080p, 30x		V Со встроенной функцией анализа видеоданных (VIDEOTECH ANALYTICS)	J Соответствие стандарту ONVIF, Профилю S и Профилю T
	3 120Vac				

Табл. 1 NXPTZ SERIES2 (NXPTZHD).

NXPTZR SERIES2 - ОПЦИИ КОНФИГУРАЦИЙ						
	Напряжение	Тепловизор	Опции		Редакция	Частота
NXPTZR	1 230Vac	Y 6.5° HFOV, Тепловизор 50mm, 336x256	0 Тепловизионная камера с радиометрическими функциями	OZ00	C Соответствие стандарту ONVIF, Профилю Q, Профилю S и Профилю T	- 7.5Hz
	2 24Vac	A 9.3° HFOV, Тепловизор 35mm, 336x256	R Тепловизионная камера с расширенными радиометрическими функциями		J Соответствие стандарту ONVIF, Профилю S и Профилю T	H 30Hz
	3 120Vac	B 13° HFOV, Тепловизор 25mm, 336x256				
		V 17° HFOV, Тепловизор 19mm, 336x256				
		F 25° HFOV, Тепловизор 13mm, 336x256				
		C 35° HFOV, Тепловизор 9mm, 336x256				
		W 12.4° HFOV, Тепловизор 50mm, 640x512				
		D 18° HFOV, Тепловизор 35mm, 640x512				
		E 25° HFOV, Тепловизор 25mm, 640x512				
		U 32° HFOV, Тепловизор 19mm, 640x512				
		G 45° HFOV, Тепловизор 13mm, 640x512				
		H 69° HFOV, Тепловизор 9mm, 640x512				

Табл. 2 NXPTZR SERIES2 (NXPTZR).

NXPTZT SERIES2 - ОПЦИИ КОНФИГУРАЦИЙ													
	Напряжение		Камера Day/Night		Тепловизор		Опции		Редакция	Частота			
NXPTZT	1	230Vac	2	Камера SONY FCB-EV7520, FULL HD 1080p, 30x	Y	6.5° HFOV, Тепловизор 50mm, 336x256	W	Тепловизионная камера с радиометрическими функциями	OZ00	C	Соответствие стандарту ON-VIF, Профилю Q, Профилю S и Профилю T	-	7.5Hz
	2	24Vac			A	9.3° HFOV, Тепловизор 35mm, 336x256	R	Тепловизионная камера с расширенными радиометрическими функциями		J	Соответствие стандарту ON-VIF, Профилю S и Профилю T	H	30Hz
	3	120Vac			B	13° HFOV, Тепловизор 25mm, 336x256							
					V	17° HFOV, Тепловизор 19mm, 336x256							
					F	25° HFOV, Тепловизор 13mm, 336x256							
					C	35° HFOV, Тепловизор 9mm, 336x256							
					W	12.4° HFOV, Тепловизор 50mm, 640x512							
					D	18° HFOV, Тепловизор 35mm, 640x512							
					E	25° HFOV, Тепловизор 25mm, 640x512							
					U	32° HFOV, Тепловизор 19mm, 640x512							
					G	45° HFOV, Тепловизор 13mm, 640x512							
					H	69° HFOV, Тепловизор 9mm, 640x512							

Табл. 3 NXPTZT SERIES2 (NXPTZT).

6 Подготовка устройства к использованию



Любое изменение, которое выполняется без разрешения, явным образом предоставленного производителем, аннулирует гарантию.

6.1 Меры безопасности, предпринимаемые перед началом эксплуатации



Оборудование включает движущиеся детали. Убедитесь, что устройство расположено в недоступном при нормальном режиме работы месте. Разместите предупреждающую этикетку, предоставленную вместе с оборудованием, рядом с устройством так, чтобы она была хорошо заметна.



Рис. 5

6.2 Распаковка

При получении устройства убедитесь, что упаковка не повреждена и не имеет явных признаков падения или царапин.

В случае наличия видимых повреждений незамедлительно свяжитесь с поставщиком.

В случае возврата неисправного устройства мы рекомендуем использовать оригинальную упаковку для транспортировки.

Сохраняйте упаковку на случай, если потребуется отправить устройство на ремонт.

6.3 Комплект оборудования

Проверьте комплект оборудования на соответствие представленному ниже списку материалов:

- Устройство позиционирования
- Солнцезащитный козырек (2 козырька в исполнении с двойной камерой)
- Болты и винты
- Комплект омывателя
- Этикетка (ПРЕДУПРЕЖДЕНИЕ: Опасные движущиеся детали)
- Ключ шестигранник
- Руководство по эксплуатации

6.4 Безопасная утилизация упаковочных материалов

Упаковочные материалы могут подвергаться переработке. Технический специалист установщика отвечает за сортировку материалов для переработки, а также за соблюдение требований законодательства, действующего в месте установки устройства.

6.5 Подготовительные работы перед установкой

! **ПРЕДУПРЕЖДЕНИЕ!** Установка и обслуживание устройства должны осуществляться только специализированным персоналом.

! Для установки используйте подходящие инструменты. Особый характер места установки устройства может потребовать использования специальных инструментов.

! Выбирайте место для установки, поверхность которого достаточно прочная и способна выдержать вес устройства, при этом необходимо помнить об особых факторах окружающей среды, например, воздействии сильного ветра.

! Устройство необходимо устанавливать таким образом, чтобы избежать нанесения травм движущимися частями оборудования. Также при установке следует проверить, чтобы движущиеся части не задевали другие предметы и не создавали опасные ситуации.

! Перед тем как включить питание, убедитесь в том, что устройство надежно зафиксировано.

! Техническое обслуживание должно проводиться только уполномоченным техническим персоналом.

i Поскольку пользователь самостоятельно выбирает поверхность, на которой будет закреплено устройство, мы не предоставляем крепежные приспособления для надежной фиксации оборудования на определенной поверхности. За выбор крепежных приспособлений, подходящих для соответствующей поверхности, отвечает установщик.

Устройство может быть установлено с помощью нескольких кронштейнов.

При установке настоятельно рекомендуется использовать только разрешенные кронштейны и комплектующие.

6.5.1 Крепление к парапету или на потолок

i В случае крепления на потолке необходимо активировать режим потолочного монтажа, используя веб-интерфейс (руководство Веб-интерфейс, Страница параметров движения (Motion Parameters)).

Прикрепите адаптер (01) к днищу устройства, используя 4 прилагаемых болта с плоской потайной головкой (02) с шестигранным шлицем из нержавеющей стали M10x20mm (A4 класс 70).

Убедитесь, что на резьбе нет грязи.

Нанесите большое количество герметика для резьбовых соединений (Loctite 270) на 4 резьбовых отверстия в основании устройства.

! Будьте внимательны при монтаже. Момент затяжки: 35Nm.

Оставьте герметик застывать в течение одного часа; не забудьте выждать указанное количество времени до завершения установки.

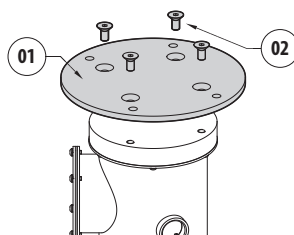


Рис. 6

Используйте внешние отверстия в адаптере, чтобы закрепить собранное устройство на парапете или потолке. Используйте винты, которые способны удерживать вес, превышающий вес устройства не менее чем в 4 раза.

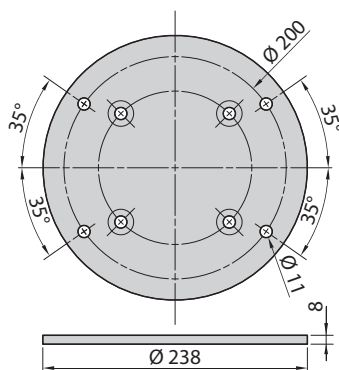


Рис. 7

6.5.2 Крепление с помощью настенного кронштейна

Кронштейн может быть закреплен на вертикальной стене. Используйте винты и приспособления для крепления на стене, которые способны выдержать вес, превышающий вес устройства не менее чем в 4 раза.

Чтобы прикрепить устройство к скобе, используйте 4 плоские шайбы, 4 зубчатые шайбы из нержавеющей стали и 4 винта с шестигранной головкой из нержавеющей стали (A4 класса 70) M10x20mm входящие в комплект поставки.

Убедитесь, что на резьбе нет грязи.

Нанесите на поверхность 4 винтов толстый слой герметика для резьбовых соединений (Loctite 270).

Затяните винты.

⚠ Будьте внимательны при монтаже. Момент затяжки: 35Nm.

Оставьте герметик застывать в течение одного часа; не забудьте выждать указанное количество времени до завершения установки.

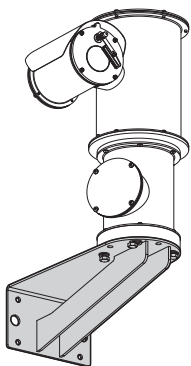


Рис. 8

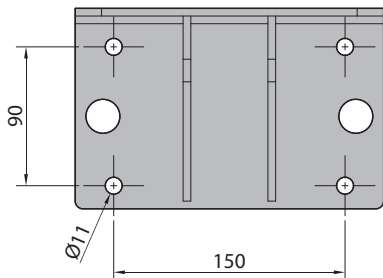


Рис. 9

6.5.3 Крепление устройства к адаптеру для установки на стойке или адаптеру для установки на угол

Перед тем как установить устройство на стойку или на угол стены, необходимо закрепить его на настенном кронштейне (6.5.2 Крепление с помощью настенного кронштейна, страница 16).

6.5.3.1 Крепление с помощью адаптера для установки на стойке

Для крепления настенного опорного кронштейна к мачтовому хомуту используйте 4 плоские шайбы, 4 шайбы Гровера из нержавеющей стали и 4 болта с шестигранной головкой из нержавеющей стали (A4 класс 70) M10x30mm, входящие в комплектацию.

Убедитесь, что на резьбе нет грязи.

Нанесите большое количество герметика для резьбовых соединений (Loctite 270) на 4 резьбовых отверстия адаптера для установки на стойке.

Затяните винты.

⚠ Будьте внимательны при монтаже. Момент затяжки: 35Nm.

Оставьте герметик застывать в течение одного часа; не забудьте выждать указанное количество времени до завершения установки.

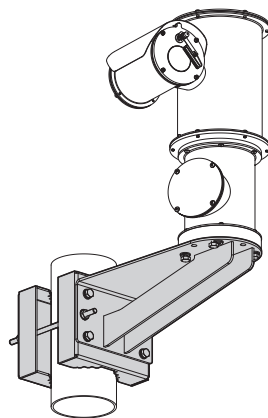


Рис. 10

6.5.3.2 Крепление с помощью адаптера для установки на угол

Для крепления настенного опорного кронштейна к модулю углового адаптера используйте 4 плоские шайбы, 4 шайбы Гровера из нержавеющей стали и 4 болта с шестигранной головкой из нержавеющей стали (A4 класс 70) M10x30mm, входящие в комплектацию.

Убедитесь, что на резьбе нет грязи.

Нанесите большое количество герметика для резьбовых соединений (Loctite 270) на 4 резьбовых отверстия адаптера для установки на угол.

Затяните винты.

⚠ Будьте внимательны при монтаже. Момент затяжки: 35Nm.

Оставьте герметик застывать в течение одного часа; не забудьте выждать указанное количество времени до завершения установки.

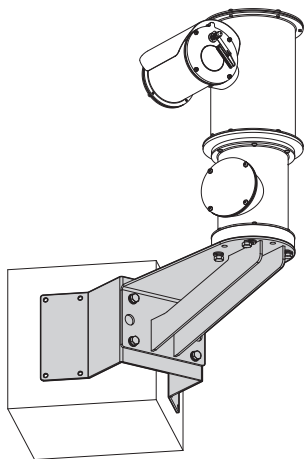


Рис. 11

6.5.4 Установка солнцезащитного козырька

Солнцезащитный козырек можно закрепить на кожухе с помощью комплектных винтов.

Нанесите толстый слой герметика для резьбовых соединений (Loctite 270) на поверхность резьбовых отверстий в основании устройства.

⚠ Будьте внимательны при монтаже. Момент затяжки: 2Nm.

Оставьте герметик застывать в течение одного часа; не забудьте выждать указанное количество времени до завершения установки.

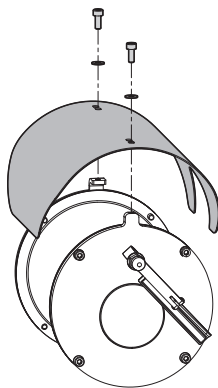


Рис. 12

7 Монтаж



ПРЕДУПРЕЖДЕНИЕ! Установка и обслуживание устройства должны осуществляться только специализированным персоналом.



Перед тем, как приступить к выполнению любых операций, убедитесь в том, что источник питания устройства отключен.



При запуске система выполняет ряд автоматических действий калибровки: отойдите от устройства после его включения.



VIDEOTEС настоятельно рекомендует проверить конфигурацию и эксплуатационные характеристики устройства перед его окончательной установкой в соответствующем месте.



Изделие оснащено многожильным кабелем, позволяющим выполнять подключения.

7.1 Область применения

Температура установки: от -40°C (-40°F) до $+65^{\circ}\text{C}$ (149°F).

Рабочая температура: от -40°C (-40°F) до $+65^{\circ}\text{C}$ (149°F).

7.2 Способы установки

Прибор может быть установлен только в стандартном или обратном положении (установка на потолок). При установке в настоящей позиции, реконфигурация функций направления и контроля телекамеры, выполняется программой системы.

Для работы в перевернутом положении не требуется проводить корректировку оборудования.

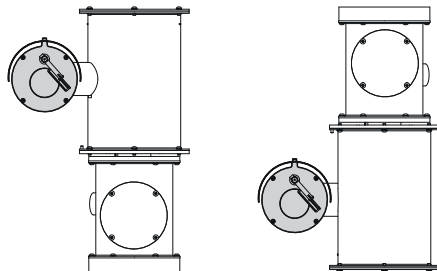


Рис. 13

7.3 Подключение линии питания

⚠ Выполнять электрические подключения необходимо при отключенном источнике питания и разомкнутом выключателе сети.

⚠ Перед началом монтажа убедитесь в том, что характеристики источника питания соответствуют характеристикам устройства.

⚠ Проверьте соответствие размеров гнезда питания и кабеля.

В зависимости от модели на устройство может подаваться разное напряжение сети питания. Значение напряжения сети указано на идентификационной этикетке устройства (4.2 Маркировка изделия, страница 10).

В состав многожильного кабеля входят силовые кабели и кабели заземления.

Выполните подключение в соответствии с приведенным в таблице описанием.

ПОДКЛЮЧЕНИЕ ЛИНИИ ПИТАНИЯ	
Цвет кабеля	Описание
Источник питания 24Vac	
Черный 2	(N) Нейтраль
Черный 1	(L) Фаза
Желтый/Зеленый	Защитное заземление
Источник питания 230Vac	
Черный 2	(N) Нейтраль
Черный 1	(L) Фаза
Желтый/Зеленый	Защитное заземление
Источник питания 120Vac	
Черный 2	(N) Нейтраль
Черный 1	(L) Фаза
Желтый/Зеленый	Защитное заземление

Табл. 4

7.4 Подключите Ethernet-кабель

i Оболочка Ethernet-кабеля со стороны оператора должна всегда подсоединяться к заземлению с помощью разъема.

Установите на Ethernet-кабель экранированный разъем RJ45.

Выполните подключение в соответствии с приведенным в таблице описанием (с учетом стандартных технических требований: TIA/EIA-568-B).

ПОДКЛЮЧЕНИЕ ETHERNET-КАБЕЛЯ	
Номер контакта	Цвет кабеля
1	Оранжевый-Белый
2	Оранжевый
3	Зеленый-Белый
4	Синий
5	Синий-Белый
6	Зеленый
7	Коричневый-Белый
8	Коричневый

Табл. 5

Ниже представлен стандартный пример установки.

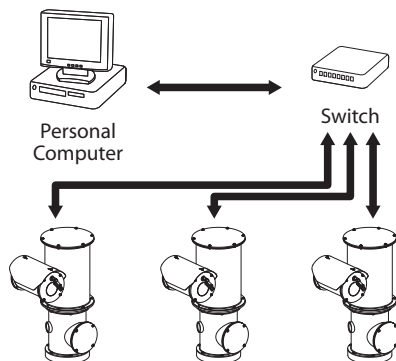


Рис. 14

7.5 Подключение аварийных сигналов и реле

Устройство оснащено сигналами тревоги и реле, указанными в таблице.

ПОДКЛЮЧЕНИЕ АВАРИЙНЫХ СИГНАЛОВ И РЕЛЕ	
Цвет кабеля	Описание
Красный-Синий	Реле 1, А
Серый-Розовый	Реле 1, В
Коричневый-Зеленый	Реле 2, А
Белый-Зеленый	Реле 2, В
Зеленый	Общий аварийный сигнал, COM
Коричневый	Аварийный сигнал 1 (сухой контакт), AL1
Белый-Желтый	Питание входа сброса
Черный	Точка для перезагрузки устройства

Табл. 6

! Обеспечьте электрическую изоляцию всех кабелей, которые не подключены и не указаны в таблице, поскольку они не используются.

7.5.1 Подключение аварийного сигнала к сухому контакту

В случае передачи сигнала тревоги через сухой контакт (сигнал тревоги AL1), выполните подключение, как показано на рисунке.

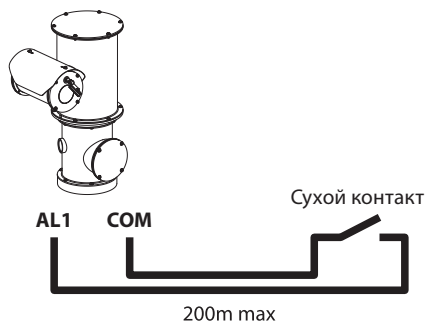


Рис. 15

Сухой контакт передачи аварийного сигнала тревоги может быть НР (нормально разомкнутым) или НЗ (нормально замкнутым).

Более подробная информация представлена в соответствующей главе (руководство Веб-интерфейс, Страница цифрового входа/выхода (Digital I/O)).

i Все сигналы тревоги могут передаваться на расстояние 200m max, который можно получить с помощью экранированного кабеля с минимальным сечением 0.25mm² (23AWG).

7.5.2 Подключения реле

! Использование реле возможно при соблюдении указанных ниже требований. Рабочее напряжение: до 30Vac или 60Vdc. Сила тока: 1A max. Используйте кабели соответствующего сечения со следующими характеристиками: от 0.25mm² (23AWG) до 1.5mm² (15AWG).

В связи с отсутствием полярности оба терминала одного и того же реле могут быть одинаково подключены с напряжением переменного тока, или с напряжением постоянного тока.


7.5.3 Подключение системы омывателя

i Дополнительная информация по конфигурации и использованию представлена в соответствующем руководстве.

После запуска системы омывателя реле 2 сообщает о включении насоса (7.5 Подключение аварийных сигналов и реле, страница 20).

Информация о настройке приведена в соответствующем руководстве по эксплуатации (9.2 Веб-интерфейс, страница 21).


8 Включение

-  Процесс автоматического предварительного подогрева (De-Ice) активируется при каждом включении устройства, если температура окружающей среды ниже 0°C. Данный процесс служит для обеспечения правильного функционирования устройства даже при низких температурах. Продолжительность процесса зависит от условий окружающей среды (от 60 минут до 120 минут).

Для того чтобы включить устройство, подключите источник питания.

Для того чтобы выключить устройство, отключите источник питания.


8.1 Первый запуск

-  Убедитесь, что устройство и прочие компоненты системы должным образом закрыты, чтобы предотвратить контакт с частями, находящимися под напряжением.

-  Убедитесь в том, что все детали надежно закреплены.

9 Конфигурация

9.1 IP-адрес по умолчанию


-  Устройство настроено таким образом, чтобы получить IP-адрес от сервера DHCP.

IP-адрес, полученный через DHCP, можно посмотреть в файле журнала сервера DHCP.

Если сервер DHCP недоступен, устройство настраивается автоматически, используя самостоятельно сгенерированный IP-адрес в подсети 169.254.x.x/16. Настройка IP-адреса компьютера в той же подсети (пример: IP-адрес: 169.254.1.1, subnet mask: 255.255.0.0).

Для поиска IP-адреса устройства используйте совместимую с ONVIF программу управления видео (VMS) или сетевой анализатор пакетов (сниффер). (Программа сканирования IP).

9.2 Веб-интерфейс

-  Поддерживаемые браузеры (последняя версия): Microsoft Edge, Google Chrome, Mozilla Firefox.

9.2.1 Первый вход на веб-страницу

Первое действие по настройке конфигурации устройства заключается в подключении к веб-интерфейсу.

Чтобы войти в веб-интерфейс устройства, просто используйте браузер для подключения к адресу: <http://IP> адрес.

При первом входе будет отображаться Главная страница.

Для настройки веб-интерфейса ознакомьтесь с инструкцией для установленной версии ПО; инструкция доступна на веб-странице изделия на сайте www.videotec.com.

10 Принадлежности и опоры

i Более подробная информация о конфигурации и способах использования представлена в руководстве для соответствующего комплектующего оборудования или кронштейна.

10.1 Омыватель

Изделие может быть оснащено внешним насосом подачи воды для очистки стекла.

Для завершения монтажа мойшей установки используйте прилагающийся комплект.

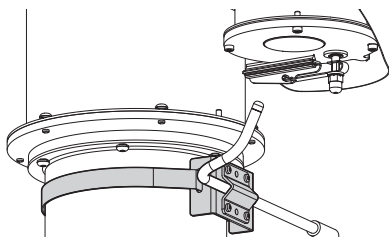


Рис. 16

i Более подробная информация представлена в соответствующей главе (9.2 Веб-интерфейс, страница 21).

10.2 Парапет или кронштейн для монтажа на потолке

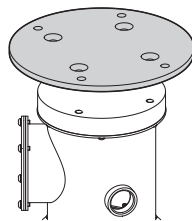


Рис. 17 NXPTZTW.

10.3 Кронштейн для крепления на стене

Кронштейн для крепления на стене.

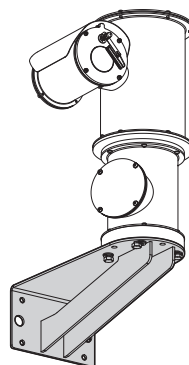


Рис. 18 NXPTZWB.

10.4 Адаптер для крепления на угол

Адаптер для крепления на угол.

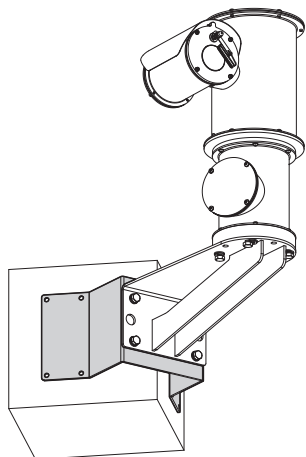


Рис. 19 NXPTZCW.

10.5 Адаптер для установки на стойке

Адаптер для установки на стойке.

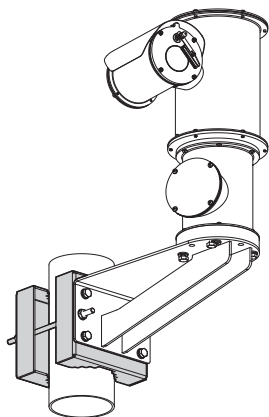


Рис. 20 NXPTZCOL.

10.6 Адаптер для подключения оптического волокна

Адаптер для подключения оптического волокна.

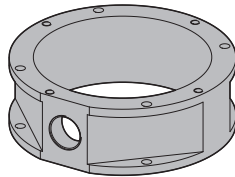


Рис. 21 NXPTZSFP.

11 Инструкции по работе в нормальном режиме



Не используйте стеклоочиститель, если температура окружающей среды ниже 0°C или при наличии льда.



Если оставить стеклоочиститель во включенном состоянии, он автоматически выключится.

Управление устройством может осуществляться различными способами:

- Через пользовательские элементы управления в веб-интерфейсе (9.2 Веб-интерфейс, страница 21).
- С помощью Программы управления видео (VMS), поддерживающей протокол ONVIF. В этом случае специальные элементы управления включаются с помощью вспомогательных команд протокола ONVIF.
- Через программное обеспечение PTZ Assistant (программное обеспечение PTZ Assistant доступно для загрузки на веб-странице изделия на сайте: www.videotec.com).

12 Техническое обслуживание



Отключите источник питания, перед тем как приступить к проведению каких-либо технических работ на устройстве.



ПРЕДУПРЕЖДЕНИЕ! Установка и обслуживание устройства должны осуществляться только специализированным персоналом.



Производитель снимает с себя всю ответственность за повреждения любых перечисленных в настоящем документе устройств, которые связаны с небрежным обращением, использованием неоригинальных запасных частей, а также случаями проведения установки и технического обслуживания и ремонта неуполномоченными сотрудниками и сотрудниками, не имеющими необходимых навыков.



При наличии повреждений каких-либо деталей их ремонт или замена должны проводиться сотрудниками компании VIDEOTEC или под их наблюдением.



Любая замена указанных деталей должна быть выполнена только оригинальными запчастями VIDEOTEC при строгом соблюдении инструкций техобслуживания, которые входят в комплект каждой запчасти.



При необходимости проведения технического обслуживания рекомендуется направить изделие в лабораторию, сотрудники которой выполняют все требуемые операции.

При обращении за поддержкой в компанию VIDEOTEC предоставьте серийный номер и идентификационный код модели.

12.1 Плановое техническое обслуживание

12.1.1 Проверка кабелей

На кабелях не должно быть признаков повреждения или износа, способных привести к опасным ситуациям. В случае их обнаружения необходимо провести внеочередное техническое обслуживание.

12.2 Внеочередное обслуживание

12.2.1 Замена предохранителей

⚡ Проводите техническое обслуживание при отключенном источнике питания и разомкнутом выключателе сети.

⚠ **ПРЕДУПРЕЖДЕНИЕ!** Для обеспечения постоянной защиты от риска возгорания при замене предохранителей следует использовать предохранители того же типа и номинала. Только обслуживающий персонал может проводить замену предохранителей.

В случае необходимости можно заменить предохранители платы разъемов в отсеке подключения.

Открутите винты и снимите крышку.

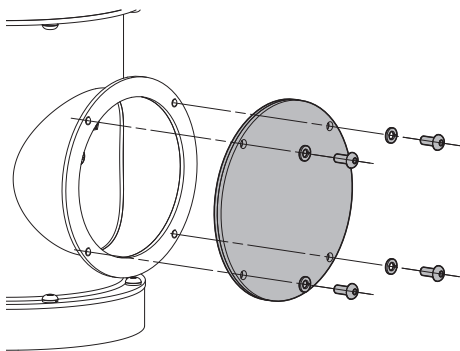


Рис. 22

Новые предохранители должны соответствовать указаниям, приведенным в таблице.

ЗАМЕНА ПРЕДОХРАНИТЕЛЕЙ		
Напряжение сети питания	Предохранитель (F1)	Предохранитель (F2)
24Vac, 50/60Hz	T 4A H 250V 5x20	T 4A H 250V 5x20
120Vac, 50/60Hz	T 2A H 250V 5x20	T 4A H 250V 5x20
230Vac, 50/60Hz	T 2A H 250V 5x20	T 4A H 250V 5x20

Табл. 7

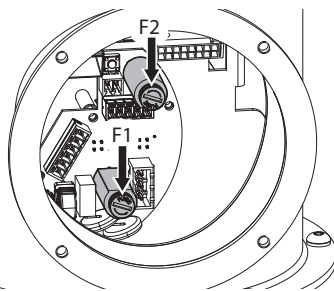


Рис. 23

После завершения операций закройте устройство.

⚠ Будьте внимательны при монтаже. Момент затяжки: 1.5Nm (±0.2Nm).

12.2.2 Factory Default


⚠ Если пароль доступа уже недействителен, выполните процедуру возврата к заводским настройкам.

Чтобы восстановить заводские настройки, относящиеся к сети, доступу пользователя и конфигурации камеры, выполните следующие действия:


- Отключите устройство.
- Подсоедините, используя сухой контакт, сигнал сброса (черный провод) и соответствующий источник питания (белый-желтый провод).
- Подключите устройство к сети электропитания.
- Подождите 2 минуты.
- Отключите устройство.
- Разомкните контакт между сбросом и соответствующим источником питания.
- Подключите устройство к сети электропитания.

i После установки заводских настроек устройство должно быть настроено так, как описано в соответствующей главе: **9.1 IP-адрес по умолчанию, страница 21.**

13 Очистка

 Частота операций зависит от среды эксплуатации изделия.

13.1 Очистка стекла

 **Не используйте этиловый спирт, растворители, галогенированные углеводороды, сильные кислоты и щелочи. Подобные вещества могут необратимо повредить поверхность устройства.**


Мы рекомендуем использовать мягкую ткань с нейтральным мылом, разведенным в воде, или специальные вещества для очистки стеклянных объективов.

13.2 Очистка устройства

Очистку устройства необходимо выполнять с помощью влажной ткани; не следует использовать сжатый воздух.

14 Информация об утилизации и переработке


Европейская директива 2012/19/ЕС Об Отходах Электрического и Электронного Оборудования (RAEE) предписывает, что данные устройства не следует утилизировать вместе с твердыми бытовыми отходами; их сбор осуществляется отдельно для оптимизации потока их утилизации и переработки содержащихся в них материалов, а также снижения воздействия на здоровье людей и окружающую среду в связи с присутствием потенциально опасных веществ.

 **Значок с изображением зачеркнутого мусорного контейнера присутствует на всей продукции для напоминания об указанном требовании.**

Отходы могут доставляться в соответствующие центры по сбору отходов или бесплатно передаваться дистрибьютору, у которого было куплено оборудование, в момент покупки новой аналогичной продукции или без обязательства совершить новую покупку в случае оборудования, чей размер не превышает 25см.

Для получения более подробной информации о надлежащей утилизации данных устройств вы можете обратиться в уполномоченную государственную организацию.

15 Поиск и устранение неисправностей

 Если проблема не описана или не решается, обратитесь в авторизованный сервисный центр.

НЕИСПРАВНОСТЬ Устройство не включается.

ПРИЧИНА	Неправильный монтаж проводки, сгоревший предохранитель.
РЕШЕНИЕ	Убедитесь в том, что соединения выполнены надлежащим образом. Проверьте правильность работы предохранителей, и при выходе предохранителей из строя замените их на предохранители указанных моделей.

НЕИСПРАВНОСТЬ Область наблюдения не соответствует выбранному предварительно настроенному положению.

ПРИЧИНА	Потеряны опорные параметры абсолютного положения.
РЕШЕНИЕ	Выполните калибровку устройства или осуществите сброс блока, выключив и включив его.

НЕИСПРАВНОСТЬ Устройство не двигается на этапе запуска.

ПРИЧИНА	Слишком низкая температура окружающей среды.
РЕШЕНИЕ	Дождитесь окончания процедуры предварительного подогрева. На веб-странице отображается следующее сообщение: Выполняется процедура De-Ice.

16 Технические характеристики

16.1 NXPTZ SERIES2 (NXPTZHD)

16.1.1 Механические хар.

Нулевой зазор

Предварительно проложенный многожильный кабель (3м, по запросу предоставляются разные длины)

Вращение по горизонтали: 360°, постоянным вращение

Вертикальное перемещение: от -90° до +90°

Скорость горизонтального движения (регулирует ся): от 0.1°/s до 100°/s

Скорость вертикального перемещения (регулирует ся): от 0.1°/s до 100°/s

Точность предварительно установленных положений: 0.02°

Встроенный стеклоочиститель

Вес устройства: 22kg

16.1.2 Окно кожуха

Стеклопанельное окно дополнительный ясный

- Толщина: 5mm

16.1.3 Электрические хар.

Напряжение сети питания/Потребляемый ток:

- 230Vac ±10%, 0.5A max, 50/60Hz
- 120Vac ±10%, 1A max, 50/60Hz
- 24Vac ±10%, 5A max, 50/60Hz

Энергопотребление:

- 120W max
- 30W, поворотное устройство остановлено, подогрев выключен

16.1.4 Сеть

Порт RJ45

- Ethernet подключение: 10BASE-T/100BASE-T

SFP-слот (SMALL FORM-FACTOR PLUGGABLE - компактный приемопередатчик)

- Ethernet подключение: 100BASE-FX
- Напряжение сети питания: 3.3V
- Standard: Соответствует MSA

Модуль SFP (не поставляется VIDEOTECH) должен отвечать следующим требованиям:

- Лазер: Class 1, отвечает требованиям EN60825-1
- Сертификаты: UL/IEC 60950-1 или UL/IEC 62368-1

16.1.5 Cybersecurity

Программное обеспечение с цифровой подписью
Доступ, ограниченный парольной защитой (протокол HTTP digest)

Поддержка нескольких уровней пользовательского доступа

Протокол контроля доступа и аутентификации по стандарту IEEE 802.1X

Шифрование по протоколу HTTPS с использованием TLS1.0, TLS1.1, TLS1.2 и TLS1.3

Централизованное управление сертификатами

Соответствует требованиям к безопасности по протоколу ONVIF

16.1.6 Видео

Видеокодер

- Протокол связи: ONVIF, Profile Q, Profile S и Profile T
- Конфигурация устройства: TCP/IPv4-IPv6, UDP/IPv4-IPv6, HTTP, HTTPS, NTP, DHCP, WS-DISCOVERY, DSCP, IGMP (Многоадресный), SOAP, DNS
- Поточковый: RTSP, RTCP, RTP/IPv4-IPv6, HTTP, Многоадресный
- Видеосжатие: H.264/AVC, MJPEG, MPEG4, snapshot JPEG
- 3 независимых видеопотока Full HD
- Разрешение изображения: от 320x180pixel до 1920x1080pixel в 8 этапов
- Возможность выбора частоты кадров от 1 до 60 кадров/с
- Веб-сервер
- Экранное меню для управления перемещением устройства (максимум 4 настраиваемых области)
- Motion Detection
- Видеоанализ: VIDEOTECH ANALYTICS (при необходимости)
- QoS: Дифференцированные DSCP для стриминга и управления устройствами
- Протоколы SNMP и NTP

16.1.7 Интерфейс ввода-вывода

Плата ввода-вывода аварийных сигналов:

- Входы аварийных сигналов: 1
- Выходы реле: 1+1 (1 реле для насоса омывателя и одно настраиваемое, 1A, 30Vac/60Vdc max)

Вход для дистанционного сброса: 1

16.1.8 Камеры

SONY FCB-EV7520 Day/Night Full HD 30x

Разрешение: Full HD 1080p (1920x1080)

Датчик изображения: 1/2.8" Exmor™ R CMOS sensor

Эффективные пиксели: приблизительно 2.13 Megapixels

Минимальное освещение:

- Цвет: 0.0013lx (50 IRE, High sensitivity on)
- В/В: 0.0008lx (30 IRE, High sensitivity on)

Фокусное расстояние: от 4.3mm (wide) до 129mm (теле)

Zoom:

- 30x
- 36x, с включенным Stable Zoom

Цифровое масштабирование (Digital Zoom): 12x

Диафрагма: от F1.6 до F14 (Auto, Ручной)

Горизонтальный угол обзора: от 63.7° (wide end) до 2.3° (tele end)

Вертикальное поле обзора: от 38.5° (wide end) до 1.3° (tele end)

Скорость затвора: от 1/1s вплоть до 1/10000s (Auto, Ручной)

Баланс белого (White Balance): Auto, Auto Tracing, Indoor, Outdoor, Ручной, Outdoor Auto, Sodium Lamp (Fix/Auto/Outdoor Auto)

Усиление: от 0dB до 50.0dB (Auto, Ручной)

Wide Dynamic Range: 120dB

Система фокусировки: Auto (PTZ Trigger, Full Auto), Ручной

Эффекты отображения: E-flip

Снижение шума (2D, 3D): Off, On (от уровень 1 до уровень 5)

Управление экспозицией: Auto, Ручной, Уровень приоритетности (Приоритет затвора, Приоритет диафрагмы, Приоритет яркости)

De-fog: Off, Low, Mid, High

Динамическая маскировка конфиденциальных зон (PTZ): максимум 24 регулируемые маски, максимум 8 отображаемых одновременно

Маскировка частных зон (камеры): максимум 8 настраиваемых масок

Indoor Flicker Reduction

Предел усиления: от 10.7dB до 50dB

High sensitivity: On/Off (Вкл./Выкл.)

Компенсации встречной засветки (Backlight Compensation): On/Off (Вкл./Выкл.)

Автоматическое замедление затвора (Auto Slowshutter): On/Off (Вкл./Выкл.)

Компенсация экспозиции: Off, On (от -10.5dB до +10.5dB)

Резкость: от уровень 0 до уровень 15

High Light Compensation (HLC): Off, Low, Mid, High, Уровень маскировки (Off, On, от уровень 1 до уровень 15)

Стабилизация цифрового изображения: On/Off (Вкл./Выкл.)

Day/Night Full HD 30x DELUX

Разрешение: Full HD 1080p (1920x1080)

Датчик изображения: 1/2.8" Exmor™ R CMOS sensor

Эффективные пиксели: приблизительно 2.38 Megapixel

Минимальное освещение:

- Цвет: 0.0061x (F1.6, 30 IRE)
- В/В: 0.00061x (F1.6, 30 IRE)

Фокусное расстояние: от 4.5mm (wide) до 135mm (теле)

Zoom: 30x (480x с цифровым масштабированием)

Диафрагма: от F1.6 до F9.6 (Auto, Ручной)

Горизонтальный угол обзора: от 61.60° (wide end) до 2.50° (tele end)

Вертикальное поле обзора: от 37.07° (wide end) до 1.44° (tele end)

Скорость затвора: от 1/1s до 1/10000s (Auto, Ручной)

Баланс белого (White Balance): Auto, Ручной

Усиление: от 0dB до 100dB (Auto, Ручной)

Wide Dynamic Range: 120dB

Система фокусировки: Auto, Ручной, Триггер (Trigger)

Эффекты отображения: E-flip, Улучшение цвета

Снижение шума: 2D (3 уровня), 3D (3 уровня)

Управление экспозицией: Auto, Ручной, Уровень приоритетности (Iris Priority, Shutter Priority), Яркость (Brightness), Пользовательская конфигурация (Custom)

De-fog: On/Off (Вкл./Выкл.)

Маскировка частных зон: максимум 8 настраиваемых масок

Indoor Flicker Reduction

Автоматическое замедление затвора (Auto Slowshutter): Off, On (от 1/30s до 1/1s)

Компенсация экспозиции: Off, On (от уровень 0 до уровень 14)

Резкость: от уровень 0 до уровень 3

16.1.9 Окружающая среда

Для установки внутри помещений и наружной установки

Рабочая температура

- Постоянная работа: от -40°C до +65°C
- Проведены испытания на воздействие температуры в соответствии с NEMA-TS 2-2003 (R2008) п. 2.1.5.1, профиль испытания рис. 2-1 (от -34 °C до + 74 °C) (отсутствует в версиях с системой VIDEOTEC ANALYTICS)
- Срабатывание функции защиты от обледенения (холодный запуск): от -40°C до -10°C

Относительная влажность: от 5% до 95%

16.1.10 Сертификаты

Электробезопасность (CE): EN60950-1, IEC60950-1, EN62368-1, IEC62368-1

Электромагнитная совместимость (CE): EN50130-4, EN55032 (Класс А), EN61000-6-4, EN61000-3-2, EN61000-3-3

Наружная установка (CE): EN60950-22, ICE60950-22

Степень защиты IP (EN/IEC60529): IP66, IP67, IP68, IP69

Сертификат UL (UL60950-1, CAN/CSA C22.2 No. 60950-1-07, UL62368-1, CAN/CSA C22.2 No. 62368-1-14): cULus Listed (только для модели с 24Vac)

Электромагнитная совместимость (Северная Америка): FCC part 15 (Класс А), ICES-003 (Класс А)

Степень защиты Тип (UL50E): 4X (только для модели с 24Vac)

Сертификат EAC

RoHS (CE): EN IEC 63000

Waste Electrical and Electronic Equipment (WEEE), Директива 2012/19/EU

16.1.11 Сертификаты - Морское применение

Сертификат соответствия требованиям Lloyd's Register Marine Type Approval (моделям с питанием 24Vac и 120Vac требуется дополнительный фильтр FM1010):

- Test Specification Number 1 (ENV1, ENV2, ENV3, ENV5)

Электромагнитная совместимость: EN60945

Защита от солевого тумана: EN60068-2-52

Устройство успешно прошло испытание при 70°C в течение 16 часов в соответствии с EN60068-2-2

16.2 NXPTZR SERIES2 (NXPTZR)

16.2.1 Механические хар.

Нулевой зазор

Предварительно проложенный многожильный кабель (3m, по запросу предоставляются разные длины)

Вращение по горизонтали: 360°, постоянным вращение

Вертикальное перемещение: от -90° до +90°

Скорость горизонтального движения (регулируется): от 0.1°/s до 100°/s

Скорость вертикального перемещения (регулируется): от 0.1°/s до 100°/s

Точность предварительно установленных положений: 0.02°

Вес устройства: 22kg

16.2.2 Окно кожуха

Германиевое окно (линзы 9mm, 13mm, 19mm, 25mm, 35mm)

- Толщина: 1.5mm
- Обработка внешней поверхности: защита от царапин (Высокопрочное углеродное покрытие (DLC))
- Обработка внутренней поверхности: антибликовое покрытие
- Спектральный диапазон: от 7.5µm до 14µm
- Средний коэффициент пропускания (от 7.5µm до 11.5µm): 91.2%
- Средний коэффициент пропускания (от 11.5µm до 14µm): 80.9%

Германиевое окно (линзы 50mm)

- Толщина: 2mm
- Обработка внешней поверхности: защита от царапин (Высокопрочное углеродное покрытие (DLC))
- Обработка внутренней поверхности: антибликовое покрытие
- Спектральный диапазон: от 7.5µm до 14µm
- Средний коэффициент пропускания (от 7.5µm до 11.5µm): 90%
- Средний коэффициент пропускания (от 11.5µm до 14µm): 77%

16.2.3 Электрические хар.

Напряжение сети питания/Потребляемый ток:

- 230Vac \pm 10%, 0.5A max, 50/60Hz
- 120Vac \pm 10%, 1A max, 50/60Hz
- 24Vac \pm 10%, 5A max, 50/60Hz

Энергопотребление:

- 120W max
- 30W, поворотное устройство остановлено, подогрев выключен

16.2.4 Сеть

Порт RJ45

- Ethernet подключение: 10BASE-T/100BASE-T

SFP-слот (SMALL FORM-FACTOR PLUGGABLE - компактный приемопередатчик)

- Ethernet подключение: 100BASE-FX
- Напряжение сети питания: 3.3V
- Standard: Соответствует MSA

Модуль SFP (не поставляется VIDEOTEC) должен отвечать следующим требованиям:

- Лазер: Class 1, отвечает требованиям EN60825-1
- Сертификаты: UL/IEC 60950-1 или UL/IEC 62368-1

16.2.5 Cybersecurity

Программное обеспечение с цифровой подписью

Доступ, ограниченный парольной защитой (протокол HTTP digest)

Поддержка нескольких уровней пользовательского доступа

Протокол контроля доступа и аутентификации по стандарту IEEE 802.1X

Шифрование по протоколу HTTPS с использованием TLS1.0, TLS1.1, TLS1.2 и TLS1.3

Централизованное управление сертификатами

Соответствует требованиям к безопасности по протоколу ONVIF

16.2.6 Видео

Видеокодер

- Протокол связи: ONVIF, Profile Q, Profile S и Profile T, ONVIF Thermal Service
- Конфигурация устройства: TCP/IPv4-IPV6, UDP/IPv4-IPV6, HTTP, HTTPS, NTP, DHCP, WSDISCOVERY, DSCP, IGMP (Многоадресный), SOAP, DNS
- Поточковый: RTSP, RTCP, RTP/IPv4-IPV6, HTTP, Многоадресный
- Видеосжатие: H.264/AVC, MJPEG, MPEG4, snapshot JPEG
- 3 независимых видеопотока
- Разрешение изображения: от 160x120pixel до 720x480pixel при 5 прогонах
- Возможность выбора частоты кадров от 1 до 30 кадров/с
- Веб-сервер
- Экранное меню для управления перемещением устройства (максимум 4 настраиваемых области)
- Motion Detection
- QoS: Дифференцированные DSCP для стриминга и управления устройствами
- Протоколы SNMP и NTCIP

16.2.7 Интерфейс ввода-вывода

Плата ввода-вывода аварийных сигналов:

- Входы аварийных сигналов: 1
- Выходы реле: 1+1 (1 реле для насоса омывателя и одно настраиваемое, 1A, 30Vac/60Vdc max)

Вход для дистанционного сброса: 1

16.2.8 Камеры

Пожалуйста, обратитесь к соответствующей таблице (16.4 Тепловизоры, страница 35).

16.2.9 Окружающая среда

Для установки внутри помещений и наружной установки

Рабочая температура

- Постоянная работа: от -40°C до +65°C
- Проведены испытания на воздействие температуры в соответствии с NEMA-TS 2-2003 (R2008) п. 2.1.5.1, профиль испытания рис. 2-1 (от -34 °C до + 74 °C)
- Срабатывание функции защиты от обледенения (холодный запуск): от -40°C до -10°C

Относительная влажность: от 5% до 95%

16.2.10 Сертификаты

Электробезопасность (CE): EN60950-1, IEC60950-1, EN62368-1, IEC62368-1

Электромагнитная совместимость (CE): EN61000-6-4, EN61000-3-2, EN61000-3-3, EN50130-4, EN55032 (Класс А)

Наружная установка (CE): EN60950-22, ICE60950-22

Степень защиты IP (EN/IEC60529): IP66, IP67, IP68, IP69

Сертификат UL (UL60950-1, CAN/CSA C22.2 No. 60950-1-07, UL62368-1, CAN/CSA C22.2 No. 62368-1-14): cULus Listed (только для модели с 24Vac)

Электромагнитная совместимость (Северная Америка): FCC part 15 (Класс А), ICES-003 (Класс А)

Степень защиты Тип (UL50E): 4X (только для модели с 24Vac)

Сертификат EAC

RoHS (CE): EN IEC 63000

Waste Electrical and Electronic Equipment (WEEE), Директива 2012/19/EU

16.2.11 Сертификаты - Морское применение

Сертификат соответствия требованиям Lloyd's Register Marine Type Approval (моделям с питанием 24Vac и 120Vac требуется дополнительный фильтр FM1010):

- Test Specification Number 1 (ENV1, ENV2, ENV3, ENV5)

Электромагнитная совместимость: EN60945

Защита от солевого тумана: EN60068-2-52

Устройство успешно прошло испытание при 70°C в течение 16 часов в соответствии с EN60068-2-2

16.3 NXPTZT SERIES2 (NXPTZT)

16.3.1 Механические хар.

Нулевой зазор

Предварительно проложенный многожильный кабель (3m, по запросу предоставляются разные длины)

Вращение по горизонтали: 360°, постоянным вращение

Вертикальное перемещение: от -90° до +90°

Скорость горизонтального движения (регулируется): от 0.1°/s до 100°/s

Скорость вертикального перемещения (регулируется): от 0.1°/s до 100°/s

Точность предварительно установленных положений: 0.02°

Встроенный стеклоочиститель

Вес устройства: 24kg

16.3.2 Окно кожура

Стеклоанное окно дополнительный ясный

- Толщина: 5mm

Германиевое окно (линзы 9mm, 13mm, 19mm, 25mm, 35mm)

- Толщина: 1.5mm
- Обработка внешней поверхности: защита от царапин (Высокопрочное углеродное покрытие (DLC))
- Обработка внутренней поверхности: антибликовое покрытие
- Спектральный диапазон: от 7.5µm до 14µm
- Средний коэффициент пропускания (от 7.5µm до 11.5µm): 91.2%
- Средний коэффициент пропускания (от 11.5µm до 14µm): 80.9%

Германиевое окно (линзы 50mm)

- Толщина: 2mm
- Обработка внешней поверхности: защита от царапин (Высокопрочное углеродное покрытие (DLC))
- Обработка внутренней поверхности: антибликовое покрытие
- Спектральный диапазон: от 7.5µm до 14µm
- Средний коэффициент пропускания (от 7.5µm до 11.5µm): 90%
- Средний коэффициент пропускания (от 11.5µm до 14µm): 77%

16.3.3 Электрические хар.

Напряжение сети питания/Потребляемый ток:

- 230Vac \pm 10%, 0.5A max, 50/60Hz
- 120Vac \pm 10%, 1A max, 50/60Hz
- 24Vac \pm 10%, 5A max, 50/60Hz

Энергопотребление:

- 120W max
- 30W, поворотное устройство остановлено, подогрев выключен

16.3.4 Сеть

Порт RJ45

- Ethernet подключение: 10BASE-T/100BASE-T

SFP-слот (SMALL FORM-FACTOR PLUGGABLE - компактный приемопередатчик)

- Ethernet подключение: 100BASE-FX
- Напряжение сети питания: 3.3V
- Standard: Соответствует MSA

Модуль SFP (не поставляется VIDEOTEC) должен отвечать следующим требованиям:

- Лазер: Class 1, отвечает требованиям EN60825-1
- Сертификаты: UL/IEC 60950-1 или UL/IEC 62368-1

16.3.5 Cybersecurity

Программное обеспечение с цифровой подписью

Доступ, ограниченный парольной защитой (протокол HTTP digest)

Поддержка нескольких уровней пользовательского доступа

Протокол контроля доступа и аутентификации по стандарту IEEE 802.1X

Шифрование по протоколу HTTPS с использованием TLS1.0, TLS1.1, TLS1.2 и TLS1.3

Централизованное управление сертификатами

Соответствует требованиям к безопасности по протоколу ONVIF

16.3.6 Видео

Камера Day/Night

Видеокодер

- Протокол связи: ONVIF, Profile Q, Profile S и Profile T
- Конфигурация устройства: TCP/IPv4-IPv6, UDP/IPv4-IPv6, HTTP, HTTPS, NTP, DHCP, WS-DISCOVERY, DSCP, IGMP (Многоадресный), SOAP, DNS
- Поточковый: RTSP, RTCP, RTP/IPv4-IPv6, HTTP, Многоадресный
- Видеожатие: H.264/AVC, MJPEG, MPEG4, snapshot JPEG
- 3 независимых видеопотока Full HD
- Разрешение изображения: от 320x180pixel до 1920x1080pixel в 8 этапов
- Возможность выбора частоты кадров от 1 до 60 кадров/с
- Веб-сервер
- Экранное меню для управления перемещением устройства (максимум 4 настраиваемых области)
- Motion Detection
- QoS: Дифференцированные DSCP для стриминга и управления устройствами
- Протоколы SNMP и NTCIP

Тепловизор

Видеокодер

- Протокол связи: ONVIF, Profile Q, Profile S и Profile T, ONVIF Thermal Service
- Конфигурация устройства: TCP/IPv4-IPv6, UDP/IPv4-IPv6, HTTP, HTTPS, NTP, DHCP, WSDISCOVERY, DSCP, IGMP (Многоадресный), SOAP, DNS
- Протоколы: RTSP, RTP, RTP/IPv4-IPv6, HTTP, Многоадресный
- Видеосжатие: H.264/AVC, MJPEG, MPEG4, snapshot JPEG
- 3 независимых видеопотока
- Разрешение изображения: от 160x120pixel до 720x480pixel при 5 прогонах
- Возможность выбора частоты кадров от 1 до 30 кадров/с
- Веб-сервер
- Экранное меню для управления перемещением устройства (максимум 4 настраиваемых области)
- Motion Detection
- QoS: Дифференцированные DSCP для стриминга и управления устройствами
- Протоколы SNMP и NTCIP

16.3.7 Интерфейс ввода-вывода

Плата ввода-вывода аварийных сигналов:

- Входы аварийных сигналов: 1
- Выходы реле: 1+1 (1 реле для насоса омывателя и одно настраиваемое, 1A, 30Vac/60Vdc max)

Вход для дистанционного сброса: 1

16.3.8 Камеры

SONY FCB-EV7520 Day/Night Full HD 30x

Разрешение: Full HD 1080p (1920x1080)

Датчик изображения: 1/2.8" Exmor™ R CMOS sensor

Эффективные пиксели: приблизительно 1.13 Megapixels

Минимальное освещение:

- Цвет: 0.0013lx (50 IRE, High sensitivity on)
- В/В: 0.0008lx (30 IRE, High sensitivity on)

Фокусное расстояние: от 4.3mm (wide) до 129mm (теле)

Компенсация экспозиции: Off, On (от -10.5dB до +10.5dB)

Резкость: от уровень 0 до уровень 15

High Light Compensation (HLC): Off, Low, Mid, High, Уровень маскировки (Off, On, от уровень 1 до уровень 15)

Стабилизация цифрового изображения: On/Off (Вкл./Выкл.)

Zoom:

- 30x
- 36x, с включенным Stable Zoom

Цифровое масштабирование (Digital Zoom): 12x

Диафрагма: от F1.6 до F14 (Auto, Ручной)

Горизонтальный угол обзора: от 63.7° (wide end) до 2.3° (tele end)

Вертикальное поле обзора: от 38.5° (wide end) до 1.3° (tele end)

Скорость затвора: от 1/1s вплоть до 1/10000s (Auto, Ручной)

Баланс белого (White Balance): Auto, Auto Tracing, Indoor, Outdoor, Ручной, Outdoor Auto, Sodium Lamp (Fix/Auto/Outdoor Auto)

Усиление: от 0dB до 50.0dB (Auto, Ручной)

Wide Dynamic Range: 120dB

Система фокусировки: Auto (PTZ Trigger, Full Auto), Ручной

Эффекты отображения: E-flip

Снижение шума (2D, 3D): Off, On (от уровень 1 до уровень 5)

Управление экспозицией: Auto, Ручной, Уровень приоритетности (Приоритет затвора, Приоритет диафрагмы, Приоритет яркости)

De-fog: Off, Low, Mid, High

Динамическая маскировка конфиденциальных зон (PTZ): максимум 24 регулируемые маски, максимум 8 отображаемых одновременно

Маскировка частных зон (камеры): максимум 8 настраиваемых масок

Indoor Flicker Reduction

Предел усиления: от 10.7dB до 50dB

High sensitivity: On/Off (Вкл./Выкл.)

Компенсации встречной засветки (Backlight Compensation): On/Off (Вкл./Выкл.)

Автоматическое замедление затвора (Auto Slowshutter): On/Off (Вкл./Выкл.)

Компенсация экспозиции: Off, On (от -10.5dB до +10.5dB)

Резкость: от уровень 0 до уровень 15

High Light Compensation (HLC): Off, Low, Mid, High, Уровень маскировки (Off, On, от уровень 1 до уровень 15)

Стабилизация цифрового изображения: On/Off (Вкл./Выкл.)

Тепловизоры

Пожалуйста, обратитесь к соответствующей таблице (16.4 Тепловизоры, страница 35).

16.3.9 Окружающая среда

Для установки внутри помещений и наружной установки

Рабочая температура

- Постоянная работа: от -40°C до +65°C
- Проведены испытания на воздействие температуры в соответствии с NEMA-TS 2-2003 (R2008) п. 2.1.5.1, профиль испытания рис. 2-1 (от -34 °C до + 74 °C)
- Срабатывание функции защиты от обледенения (холодный запуск): от -40°C до -10°C

Относительная влажность: от 5% до 95%

16.3.10 Сертификаты

Электробезопасность (CE): EN60950-1, IEC60950-1, EN62368-1, IEC62368-1

Электромагнитная совместимость (CE): EN61000-6-4, EN61000-3-2, EN61000-3-3, EN50130-4, EN55032 (Класс А)

Наружная установка (CE): EN60950-22, ICE60950-22

Степень защиты IP (EN/IEC60529): IP66, IP67, IP68, IP69

Сертификат UL (UL60950-1, CAN/CSA C22.2 No. 60950-1-07, UL62368-1, CAN/CSA C22.2 No. 62368-1-14): cULus Listed (только для модели с 24Vac)

Электромагнитная совместимость (Северная Америка): FCC part 15 (Класс А), ICES-003 (Класс А)

Степень защиты Тип (UL50E): 4X (только для модели с 24Vac)

Сертификат EAC

Restriction of Hazardous Substances (RoHS), Директива 2011/65/EU: EN50581

Waste Electrical and Electronic Equipment (WEEE), Директива 2012/19/EU

16.3.11 Сертификаты - Морское применение

Сертификат соответствия требованиям Lloyd's Register Marine Type Approval (моделям с питанием 24Vac и 120Vac требуется дополнительный фильтр FM1010):

- Test Specification Number 1 (ENV1, ENV2, ENV3, ENV5)

Электромагнитная совместимость: EN60945

Защита от солевого тумана: EN60068-2-52

Устройство успешно прошло испытание при 70°C в течение 16 часов в соответствии с EN60068-2-2

16.4 Тепловизоры

ТЕПЛОВИЗОРЫ (РАЗРЕШЕНИЕ 336X256)						
Объектив	9mm	13mm	19mm	25mm	35mm	50mm
Неохлаждаемый микролометрический датчик VOx	√	√	√	√	√	√
Интерполированное разрешение	720x480	720x480	720x480	720x480	720x480	720x480
Размеры пикселя	17μm	17μm	17μm	17μm	17μm	17μm
Спектральная чувствительность - длинноволновая ИК-область спектра (LWIR)	от 7.5μm до 13.5μm	от 7.5μm до 13.5μm	от 7.5μm до 13.5μm	от 7.5μm до 13.5μm	от 7.5μm до 13.5μm	от 7.5μm до 13.5μm
Внутренний затвор (только для компенсации датчика)	Video stop <1s	Video stop <1s	Video stop <1s	Video stop <1s	Video stop <1s	Video stop <1s
Цифровое улучшение деталей изображения (DDE)	√	√	√	√	√	√
Цифровое масштабирование (Digital Zoom)	2x, 4x	2x, 4x	2x, 4x	2x, 4x	2x, 4x	2x, 4x
Частота обновления изображения	7.5fps	7.5fps	7.5fps	7.5fps	7.5fps	7.5fps
Высокая частота обновления изображения	30fps	30fps	30fps	30fps	30fps	30fps
Область наблюдения (с большим усилением)	-40°C ÷ +160°C	-40°C ÷ +160°C	-40°C ÷ +160°C	-40°C ÷ +160°C	-40°C ÷ +160°C	-40°C ÷ +160°C
Область наблюдения (с малым усилением)	-40°C ÷ +550°C	-40°C ÷ +550°C	-40°C ÷ +550°C	-40°C ÷ +550°C	-40°C ÷ +550°C	-40°C ÷ +550°C
Горизонтальное поле обзора (HFOV)	35°	25°	17°	13°	9.3°	6.5°
Вертикальное поле обзора (VFOV)	27°	19°	13°	10°	7.1°	5°
f-number	f/1.25	f/1.25	f/1.25	f/1.1	f/1.2	f/1.2
Температурная чувствительность (NETD), тепловизионная камера с радиометрическими функциями	<50mk при f/1.0	<50mk при f/1.0	<50mk при f/1.0	<50mk при f/1.0	<50mk при f/1.0	<50mk при f/1.0
Температурная чувствительность (NETD), тепловизионная камера с расширенными радиометрическими функциями	<30mK при f/1.0	<30mK при f/1.0	<30mK при f/1.0	<30mK при f/1.0	<30mK при f/1.0	<30mK при f/1.0
Людей (обнаружение/ распознавание / идентификация)	285m / 71m / 36m	440m / 112m / 56m	640m / 160m / 80m	930m / 230m / 116m	1280m / 320m / 160m	1700m / 430m / 215m
Автомобиль (обнаружение / распознавание / идентификация)	880m / 220m / 108m	1340m / 340m / 170m	1950m / 500m / 250m	2800m / 710m / 360m	3850m / 950m / 295m	5100m / 1320m / 660m

Радиометрический анализ не влияет на рабочие характеристики камеры

ТЕПЛОВИЗОРЫ (РАЗРЕШЕНИЕ 640X512)						
Объектив	9mm	13mm	19mm	25mm	35mm	50mm
Неохлаждаемый микроболлометрический датчик VOx	√	√	√	√	√	√
Интерполированное разрешение	720x480	720x480	720x480	720x480	720x480	720x480
Размеры пикселя	17μm	17μm	17μm	17μm	17μm	17μm
Спектральная чувствительность - длинноволновая ИК-область спектра (LWIR)	от 7.5μm до 13.5μm	от 7.5μm до 13.5μm	от 7.5μm до 13.5μm	от 7.5μm до 13.5μm	от 7.5μm до 13.5μm	от 7.5μm до 13.5μm
Внутренний затвор (только для компенсации датчика)	Video stop <1s	Video stop <1s	Video stop <1s	Video stop <1s	Video stop <1s	Video stop <1s
Цифровое улучшение деталей изображения (DDE)	√	√	√	√	√	√
Цифровое масштабирование (Digital Zoom)	2x, 4x, 8x	2x, 4x, 8x	2x, 4x, 8x	2x, 4x, 8x	2x, 4x, 8x	2x, 4x, 8x
Частота обновления изображения	7.5fps	7.5fps	7.5fps	7.5fps	7.5fps	7.5fps
Высокая частота обновления изображения	30fps	30fps	30fps	30fps	30fps	30fps
Область наблюдения (с большим усилением)	-40°C ÷ +160°C	-40°C ÷ +160°C	-40°C ÷ +160°C	-40°C ÷ +160°C	-40°C ÷ +160°C	-40°C ÷ +160°C
Область наблюдения (с малым усилением)	-40°C ÷ +550°C	-40°C ÷ +550°C	-40°C ÷ +550°C	-40°C ÷ +550°C	-40°C ÷ +550°C	-40°C ÷ +550°C
Горизонтальное поле обзора (HFOV)	69°	45°	32°	25°	18°	12.4°
Вертикальное поле обзора (VFOV)	56°	37°	26°	20°	14°	9.9°
f-number	f/1.4	f/1.25	f/1.25	f/1.1	f/1.2	f/1.2
Температурная чувствительность (NETD), тепловизионная камера с радиометрическими функциями	<50mk при f/1.0	<50mk при f/1.0	<50mk при f/1.0	<50mk при f/1.0	<50mk при f/1.0	<50mk при f/1.0
Температурная чувствительность (NETD), тепловизионная камера с расширенными радиометрическими функциями	<30mK при f/1.0	<30mK при f/1.0	<30mK при f/1.0	<30mK при f/1.0	<30mK при f/1.0	<30mK при f/1.0
Людей (обнаружение/ распознавание / идентификация)	250m / 63m / 31m	390m / 95m / 47m	570m / 144m / 72m	820m / 210m / 104m	1140m / 280m / 142m	1500m / 380m / 190m
Автомобиль (обнаружение / распознавание / идентификация)	720m / 175m / 88m	1080m / 275m / 140m	1550m / 400m / 200m	2200m / 580m / 290m	3000m / 800m / 200m	3900m / 1060m / 540m

Радиометрический анализ не влияет на рабочие характеристики камеры

17 Технические чертежи

i Размеры указаны в миллиметрах.

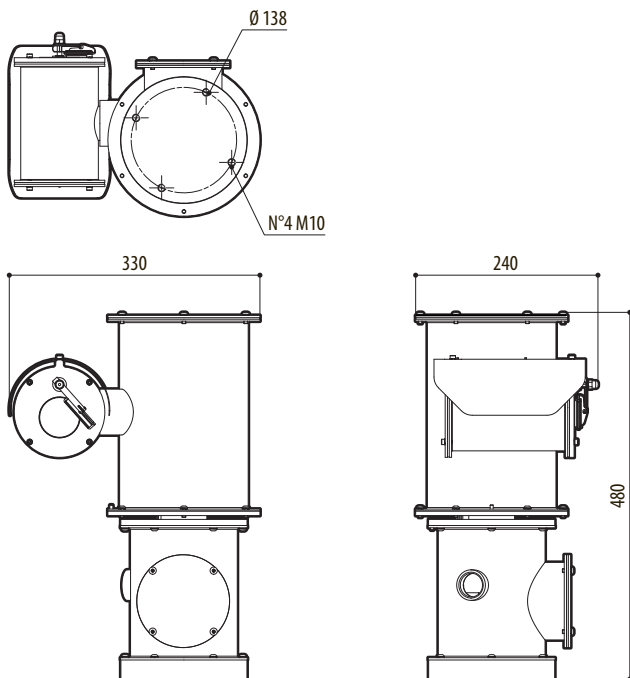


Рис. 24 NXPTZ SERIES2 (NXPTZHD).

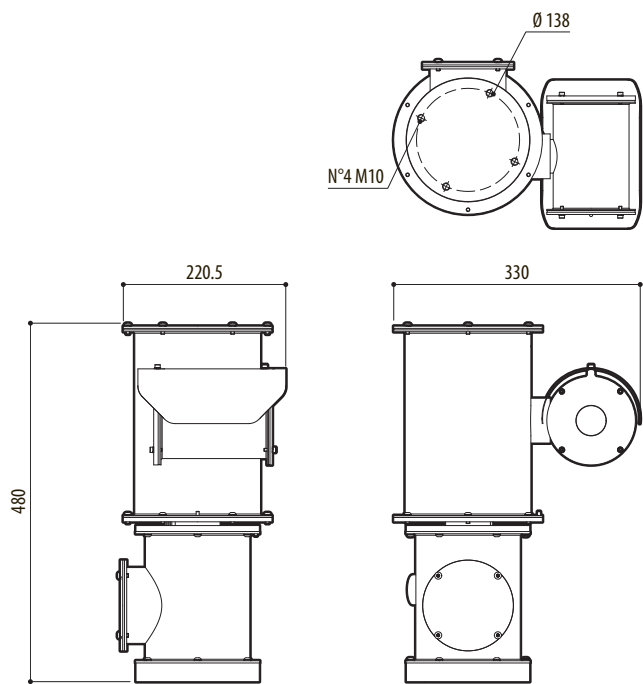


Рис. 25 NXPTZR SERIES2 (NXPTZR).

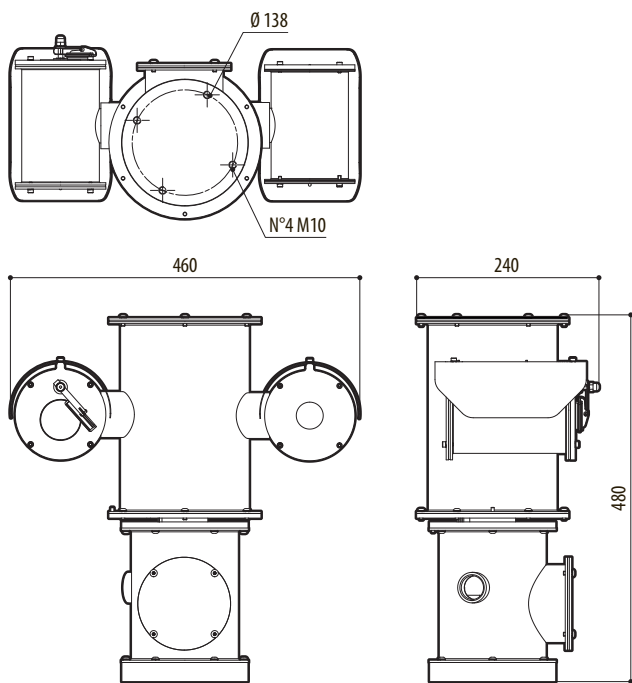


Рис. 26 NXPTZT SERIES2 (NXPTZT).



Headquarters Italy VIDEOTEC s.r.l.
Via Friuli, 6 - I-36015 Schio (VI) - Italy
Tel. +39 0445 697411 - Fax +39 0445 697414
Email: info@videotec.com
www.videotec.com

MNVCNXPZ2_2222_RU



Headquarters Italy VIDEOTEC s.r.l.
Via Friuli, 6 - I-36015 Schio (VI) - Italy
Tel. +39 0445 697411 - Fax +39 0445 697414
Email: info@videotec.com
www.videotec.com

MNVCNXPTZ2_2222