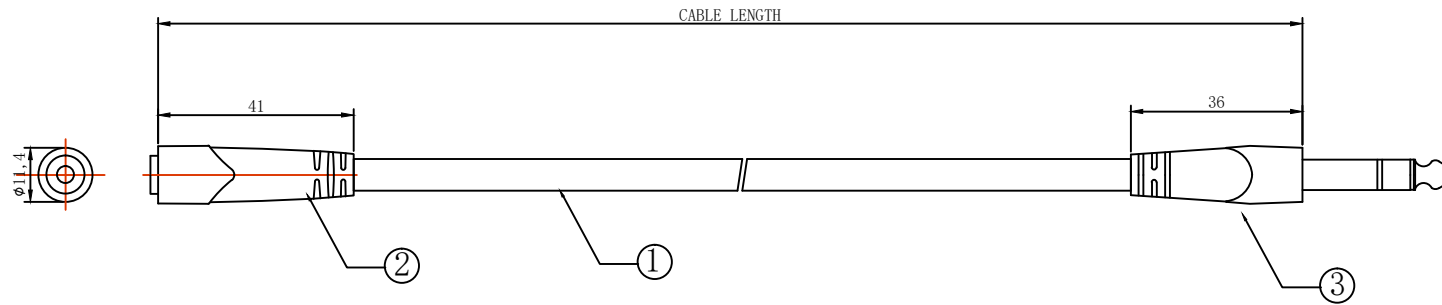


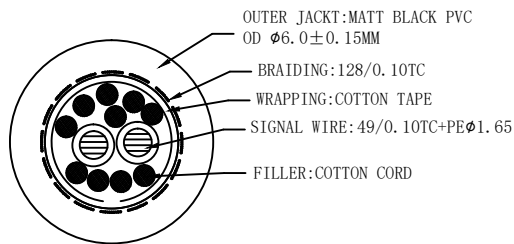
RoHS

REV.	DESCRIPTION	DATE
A		2023-03-20
B		

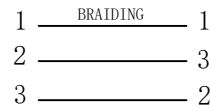


NO.	SPECIFICATION
①	MICROPHONE CABLE
②	3.5MM STEREO AUDIO CONNECTOR FEMALE
③	STEREO 6.35mm CONNECTOR MALE

CABLE SPECIFICATION



PIN ASSIGNMENT



ITEM NO.	LENGTH
PROMJMF1.5	1.5

TITLE	6.35mm JACK MALE TO 3.5mm FEMALE CABLE		
DRAWING NO		DRAWER	001
REV.	A	CHECKED	
		APPROVED	

VIVO LINK