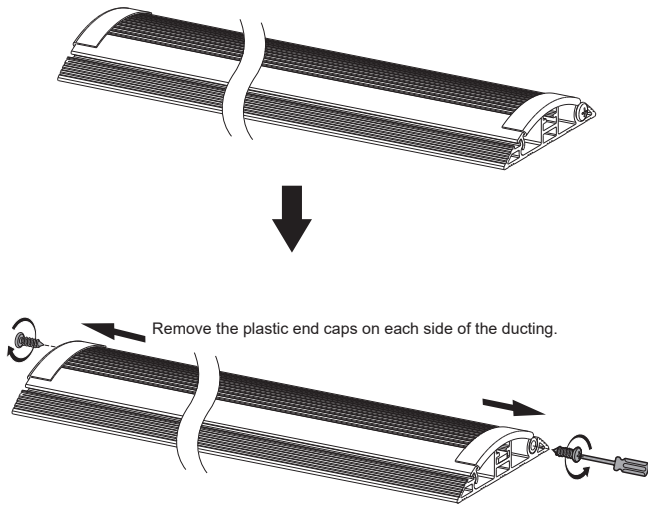


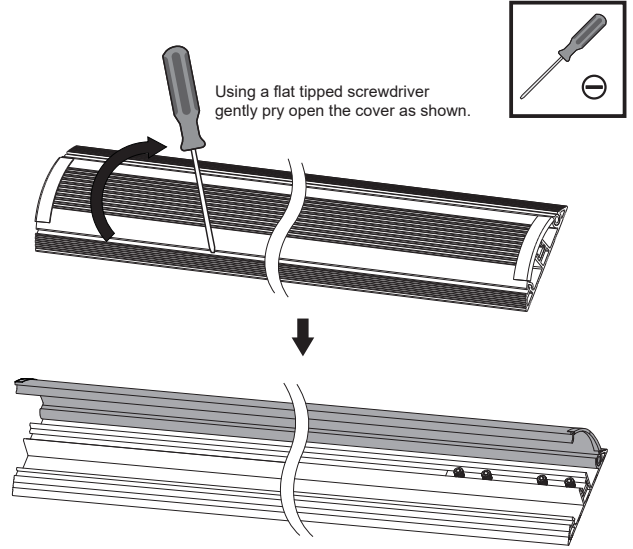
Instruction Manual

1

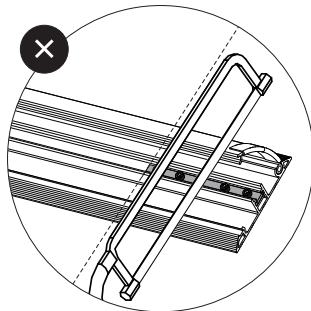
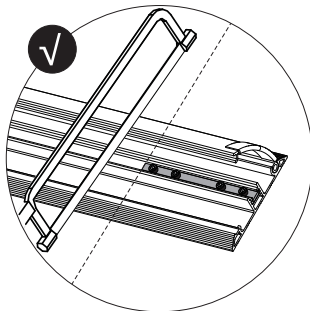
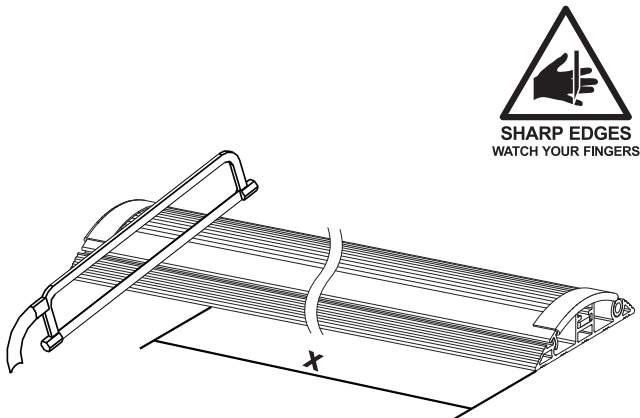


NOTE: Do not remove the end cap screws if you are not cutting the Ducting to a custom size. (Skip to Step 5 for managing cables)

2

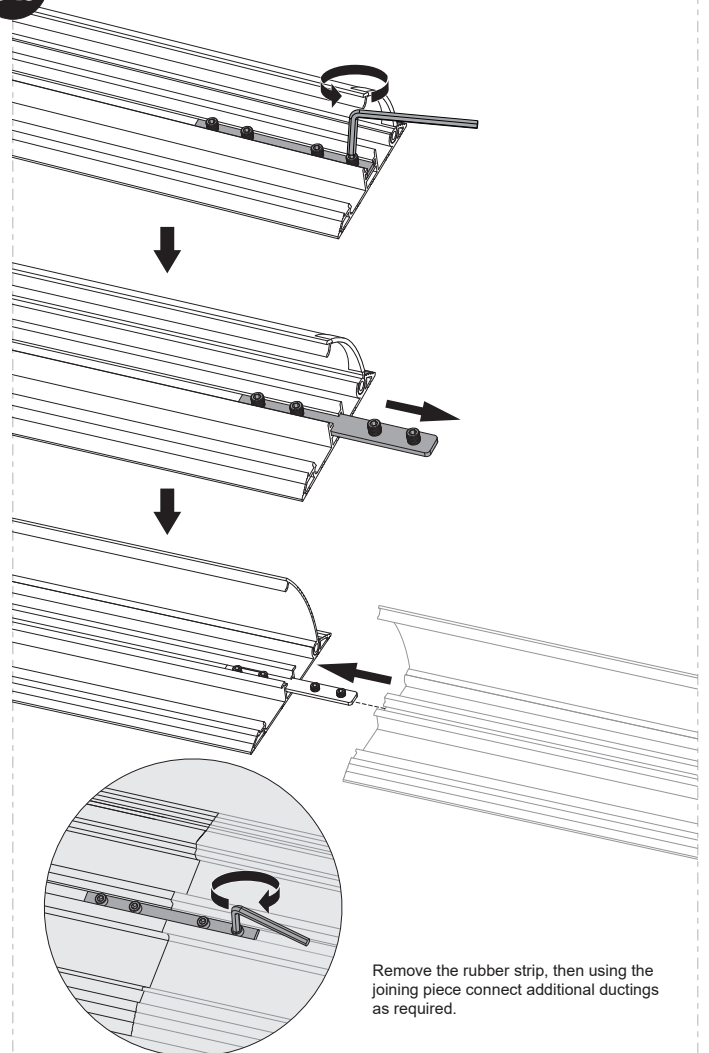


3a



Using a hacksaw cut the ducting to desired length (Keep the Lid Closed).
NOTE: Avoid cutting the jointing piece.

3b



Remove the rubber strip, then using the joining piece connect additional ductings as required.