

Easy UPS 3S

Modular Battery Cabinet

Installation

E3SXR6

12/2018



Legal Information

The Schneider Electric brand and any registered trademarks of Schneider Electric Industries SAS referred to in this guide are the sole property of Schneider Electric SA and its subsidiaries. They may not be used for any purpose without the owner's permission, given in writing. This guide and its content are protected, within the meaning of the French intellectual property code (Code de la propriété intellectuelle français, referred to hereafter as "the Code"), under the laws of copyright covering texts, drawings and models, as well as by trademark law. You agree not to reproduce, other than for your own personal, noncommercial use as defined in the Code, all or part of this guide on any medium whatsoever without Schneider Electric's permission, given in writing. You also agree not to establish any hypertext links to this guide or its content. Schneider Electric does not grant any right or license for the personal and noncommercial use of the guide or its content, except for a non-exclusive license to consult it on an "as is" basis, at your own risk. All other rights are reserved.

Electrical equipment should be installed, operated, serviced, and maintained only by qualified personnel. No responsibility is assumed by Schneider Electric for any consequences arising out of the use of this material.

As standards, specifications, and designs change from time to time, please ask for confirmation of the information given in this publication.



Go to <http://www.productinfo.schneider-electric.com/portals/ui/easyups3s/> for translations.

Rendez-vous sur <http://www.productinfo.schneider-electric.com/portals/ui/easyups3s/> pour accéder aux traductions.

Vaya a <http://www.productinfo.schneider-electric.com/portals/ui/easyups3s/> para obtener las traducciones.

Gehe zu <http://www.productinfo.schneider-electric.com/portals/ui/easyups3s/> für Übersetzungen.

Vai a <http://www.productinfo.schneider-electric.com/portals/ui/easyups3s/> per le traduzioni.

Vá para <http://www.productinfo.schneider-electric.com/portals/ui/easyups3s/> para obter as traduções.

Перейдите по ссылке <http://www.productinfo.schneider-electric.com/portals/ui/easyups3s/> для просмотра переводов.

前往 <http://www.productinfo.schneider-electric.com/portals/ui/easyups3s/> 查看译文。

前往 <http://www.productinfo.schneider-electric.com/portals/ui/easyups3s/> 查看譯文。

Table of Contents

| | |
|--|----|
| Important Safety Instructions — SAVE THESE | |
| INSTRUCTIONS | 5 |
| Safety Precautions | 6 |
| Electrical Safety | 8 |
| Battery Safety | 9 |
| Specifications | 11 |
| Modular Battery Cabinet Weights and Dimensions | 11 |
| Installation Procedure | 12 |
| Receiving | 13 |
| Remove the Modular Battery Cabinet from the Pallet | 13 |
| Connect Cables between Modular Battery Cabinet and | |
| UPS | 15 |
| Install Batteries in the Modular Battery Cabinet | 19 |

Important Safety Instructions — SAVE THESE INSTRUCTIONS

Read these instructions carefully and look at the equipment to become familiar with it before trying to install, operate, service or maintain it. The following safety messages may appear throughout this manual or on the equipment to warn of potential hazards or to call attention to information that clarifies or simplifies a procedure.



The addition of this symbol to a “Danger” or “Warning” safety message indicates that an electrical hazard exists which will result in personal injury if the instructions are not followed.



This is the safety alert symbol. It is used to alert you to potential personal injury hazards. Obey all safety messages with this symbol to avoid possible injury or death.

| |
|---|
| ⚠ DANGER |
| DANGER indicates a hazardous situation which, if not avoided, will result in death or serious injury. |
| Failure to follow these instructions will result in death or serious injury. |

| |
|---|
| ⚠ WARNING |
| WARNING indicates a hazardous situation which, if not avoided, could result in death or serious injury. |
| Failure to follow these instructions can result in death, serious injury, or equipment damage. |

| |
|--|
| ⚠ CAUTION |
| CAUTION indicates a hazardous situation which, if not avoided, could result in minor or moderate injury. |
| Failure to follow these instructions can result in injury or equipment damage. |

| |
|--|
| NOTICE |
| NOTICE is used to address practices not related to physical injury. The safety alert symbol shall not be used with this type of safety message. |
| Failure to follow these instructions can result in equipment damage. |

Please Note

Electrical equipment should only be installed, operated, serviced, and maintained by qualified personnel. No responsibility is assumed by Schneider Electric for any consequences arising out of the use of this material.

A qualified person is one who has skills and knowledge related to the construction, installation, and operation of electrical equipment and has received safety training to recognize and avoid the hazards involved.

Safety Precautions

⚠ DANGER

HAZARD OF ELECTRIC SHOCK, EXPLOSION, OR ARC FLASH

Read all instructions in the installation manual before installing or working on this product.

Failure to follow these instructions will result in death or serious injury.

⚠ DANGER

HAZARD OF ELECTRIC SHOCK, EXPLOSION, OR ARC FLASH

Do not install the product until all construction work has been completed and the installation room has been cleaned.

Failure to follow these instructions will result in death or serious injury.

⚠ DANGER

HAZARD OF ELECTRIC SHOCK, EXPLOSION, OR ARC FLASH

The product must be installed according to the specifications and requirements as defined by Schneider Electric. It concerns in particular the external and internal protections (upstream breakers, battery breakers, cabling, etc.) and environmental requirements. No responsibility is assumed by Schneider Electric if these requirements are not respected.

Failure to follow these instructions will result in death or serious injury.

⚠ DANGER

HAZARD OF ELECTRIC SHOCK, EXPLOSION, OR ARC FLASH

The UPS system must be installed according to local and national regulations. Install the UPS according to:

- IEC 60364 (including 60364-4-41- protection against electric shock, 60364-4-42 - protection against thermal effect, and 60364-4-43 - protection against overcurrent), **or**
- NEC NFPA 70, **or**
- Canadian Electrical Code (C22.1, Part 1)

depending on which one of the standards apply in your local area.

Failure to follow these instructions will result in death or serious injury.

⚠ DANGER

HAZARD OF ELECTRIC SHOCK, EXPLOSION, OR ARC FLASH

- Install the product in a temperature controlled indoor environment free of conductive contaminants and humidity.
- Install the product on a non-flammable, level and solid surface (e.g. concrete) that can support the weight of the system.

Failure to follow these instructions will result in death or serious injury.

⚠ DANGER

HAZARD OF ELECTRIC SHOCK, EXPLOSION, OR ARC FLASH

The product is not designed for and must therefore not be installed in the following unusual operating environments:

- Damaging fumes
- Explosive mixtures of dust or gases, corrosive gases, or conductive or radiant heat from other sources
- Moisture, abrasive dust, steam or in an excessively damp environment
- Fungus, insects, vermin
- Salt-laden air or contaminated cooling refrigerant
- Pollution degree higher than 2 according to IEC 60664-1
- Exposure to abnormal vibrations, shocks, and tilting
- Exposure to direct sunlight, heat sources, or strong electromagnetic fields

Failure to follow these instructions will result in death or serious injury.

⚠ DANGER

HAZARD OF ELECTRIC SHOCK, EXPLOSION, OR ARC FLASH

Do not drill or cut holes for cables or conduits with the gland plates installed and do not drill or cut holes in close proximity to the UPS.

Failure to follow these instructions will result in death or serious injury.

⚠ WARNING

HAZARD OF ARC FLASH

Do not make mechanical changes to the product (including removal of cabinet parts or drilling/cutting of holes) that are not described in the installation manual.

Failure to follow these instructions can result in death, serious injury, or equipment damage.

NOTICE

RISK OF OVERHEATING

Respect the space requirements around the product and do not cover the ventilation openings when the product is in operation.

Failure to follow these instructions can result in equipment damage.

Electrical Safety

⚠ DANGER

HAZARD OF ELECTRIC SHOCK, EXPLOSION, OR ARC FLASH

- Electrical equipment must be installed, operated, serviced, and maintained only by qualified personnel.
- Apply appropriate personal protective equipment (PPE) and follow safe electrical work practices.
- Turn off all power supplying the UPS system before working on or inside the equipment.
- Before working on the UPS system, check for hazardous voltage between all terminals including the protective earth.
- The UPS contains an internal energy source. Hazardous voltage can be present even when disconnected from the mains supply. Before installing or servicing the UPS system, ensure that the units are OFF and that mains and batteries are disconnected. Wait five minutes before opening the UPS to allow the capacitors to discharge.
- The UPS must be properly earthed/grounded and due to a high leakage current, the earthing/grounding conductor must be connected first.

Failure to follow these instructions will result in death or serious injury.

⚠ DANGER

HAZARD OF ELECTRIC SHOCK, EXPLOSION, OR ARC FLASH

In systems where backfeed protection is not part of the standard design, an automatic isolation device (backfeed protection option or other device meeting the requirements of IEC/EN 62040–1 or UL1778 5th Edition – depending on which of the two standards apply to your local area) must be installed to prevent hazardous voltage or energy at the input terminals of the isolation device. The device must open within 15 seconds after the upstream power supply fails and must be rated according to the specifications.

Failure to follow these instructions will result in death or serious injury.

When the UPS input is connected through external isolators that, when opened, isolate the neutral or when the automatic backfeed isolation is provided external to the equipment or is connected to an IT power distribution system, a label must be fitted at the UPS input terminals, and on all primary power isolators installed remote from the UPS area and on external access points between such isolators and the UPS, by the user, displaying the following text (or equivalent in a language which is acceptable in the country in which the UPS system is installed):

⚠ DANGER

HAZARD OF ELECTRIC SHOCK, EXPLOSION, OR ARC FLASH

Risk of Voltage Backfeed. Before working on this circuit: Isolate the UPS and check for hazardous voltage between all terminals including the protective earth.

Failure to follow these instructions will result in death or serious injury.

Battery Safety

⚠ DANGER

HAZARD OF ELECTRIC SHOCK, EXPLOSION OR ARC FLASH

- Battery circuit breakers must be installed according to the specifications and requirements as defined by Schneider Electric.
- Servicing of batteries must only be performed or supervised by qualified personnel knowledgeable of batteries and the required precautions. Keep unqualified personnel away from batteries.
- Disconnect charging source prior to connecting or disconnecting battery terminals.
- Do not dispose of batteries in a fire as they can explode.
- Do not open, alter, or mutilate batteries. Released electrolyte is harmful to the skin and eyes. It may be toxic.

Failure to follow these instructions will result in death or serious injury.

⚠ DANGER

HAZARD OF ELECTRIC SHOCK, EXPLOSION, OR ARC FLASH

Batteries can present a risk of electric shock and high short-circuit current. The following precautions must be observed when working on batteries

- Remove watches, rings, or other metal objects.
- Use tools with insulated handles.
- Wear protective glasses, gloves and boots.
- Do not lay tools or metal parts on top of batteries.
- Disconnect the charging source prior to connecting or disconnecting battery terminals.
- Determine if the battery is inadvertently grounded. If inadvertently grounded, remove source from ground. Contact with any part of a grounded battery can result in electric shock. The likelihood of such shock can be reduced if such grounds are removed during installation and maintenance (applicable to equipment and remote battery supplies not having a grounded supply circuit).

Failure to follow these instructions will result in death or serious injury.

⚠ DANGER

HAZARD OF ELECTRIC SHOCK, EXPLOSION, OR ARC FLASH

When replacing batteries, always replace with the same type and number of batteries or battery packs. Refer to the label in the classic battery cabinet for information on batteries in your system.

Failure to follow these instructions will result in death or serious injury.

▲ CAUTION**RISK OF EQUIPMENT DAMAGE**

- Wait until the system is ready to be powered up before installing batteries in the system. The time duration from battery installation until the UPS system is powered up must not exceed 72 hours or 3 days.
- Batteries must not be stored more than six months due to the requirement of recharging. If the UPS system remains de-energized for a long period, we recommend that you energize the UPS system for a period of 24 hours at least once every month. This charges the batteries, thus avoiding irreversible damage.

Failure to follow these instructions can result in injury or equipment damage.

Specifications

| |
|---|
| ⚠ DANGER |
| HAZARD OF ELECTRIC SHOCK, EXPLOSION, OR ARC FLASH |
| The modular battery cabinet must only be used with the Easy UPS 3S with internal batteries. |
| Failure to follow these instructions will result in death or serious injury. |

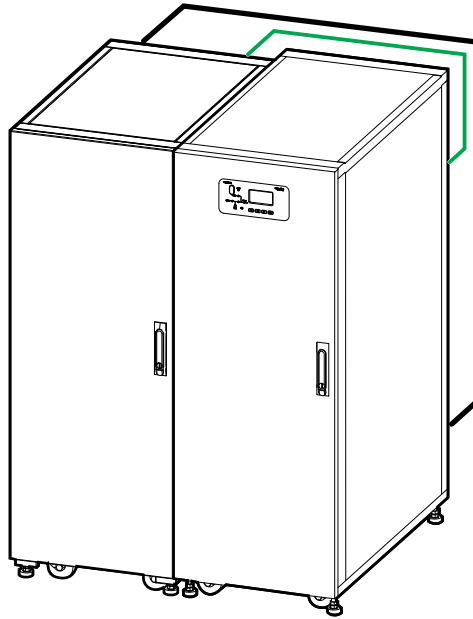
| |
|--|
| NOTICE |
| HAZARD OF EQUIPMENT DAMAGE |
| Refer to the UPS installation manual for detailed specifications for the UPS system. |
| Failure to follow these instructions can result in equipment damage. |

| | |
|-----------------------------------|-----------|
| Nominal battery voltage (V) | 480 |
| Battery type | Lead-acid |
| Number of blocks per string | 40 |
| Maximum short-circuit level (ICW) | 10 kA |

Modular Battery Cabinet Weights and Dimensions

| | Weight kg | Height mm | Width mm | Depth mm |
|-------------------------|-----------|-----------|----------|----------|
| Modular battery cabinet | 125 | 1400 | 500 | 851 |

Installation Procedure



— Signal cable
— Power cable

1. *Remove the Modular Battery Cabinet from the Pallet, page 13.*
2. *Connect Cables between Modular Battery Cabinet and UPS, page 15.*
3. *Install Batteries in the Modular Battery Cabinet, page 19.*

Receiving

External Inspection

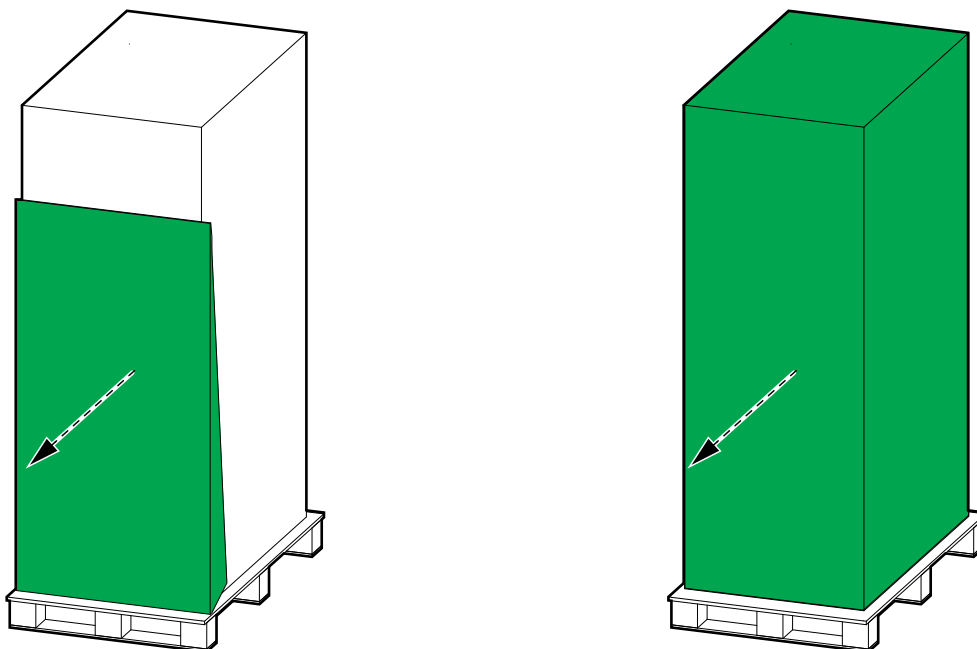
When the shipment arrives, inspect the shipping material for any signs of damage or mishandling. Check tilt and impact indicators. Do not attempt to install the system if a damage is apparent. If any damage is noted, contact Schneider Electric and file a damage claim with the shipping agency within 24 hours.

Compare the components of the shipment with the bill of lading. Report any missing items to the carrier and to Schneider Electric immediately.

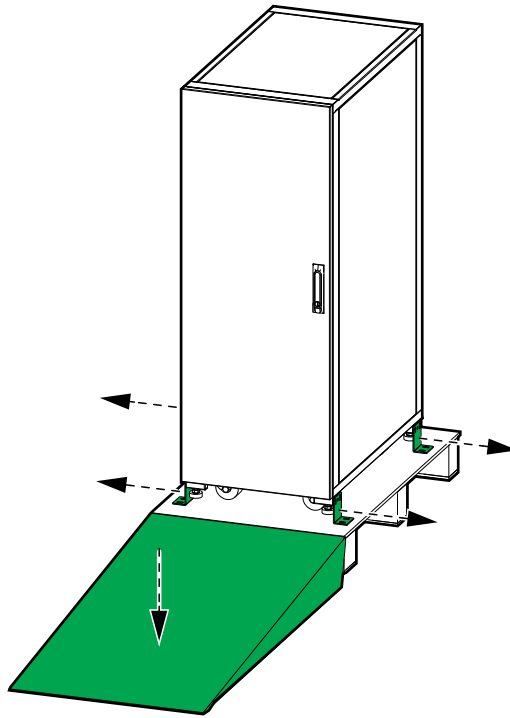
Verify that labelled units match the order confirmation.

Remove the Modular Battery Cabinet from the Pallet

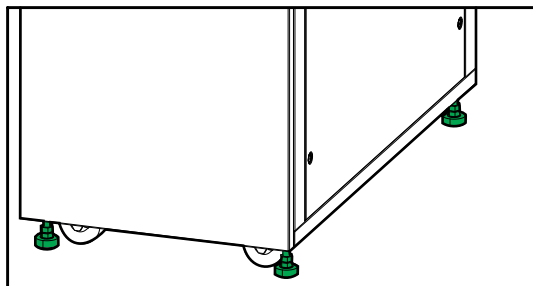
1. Move the modular battery cabinet to the final installation area using a forklift.
2. Remove the ramp from the pallet and remove the shipping material.



3. Place the ramp in front of the pallet.



4. Loosen the bolts and remove the shipping brackets. Dispose of the shipping brackets.
5. Roll the modular battery cabinet down from the pallet.
6. Move the modular battery cabinet to its installation location and use a wrench to lower the levelling feet. Ensure that the cabinet is level.

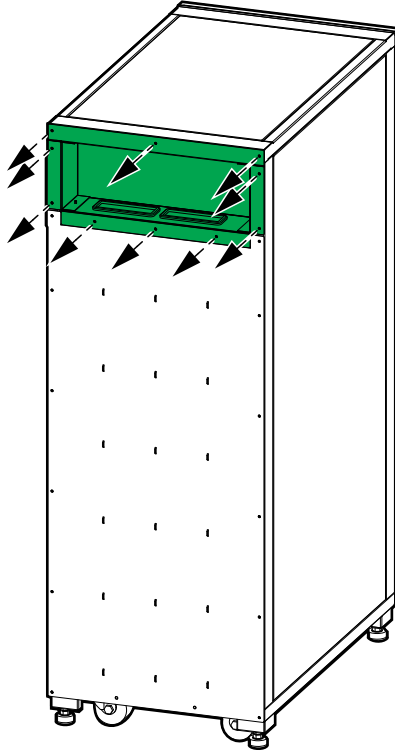


Connect Cables between Modular Battery Cabinet and UPS

NOTE: Route the signal cables separately from the power cables.

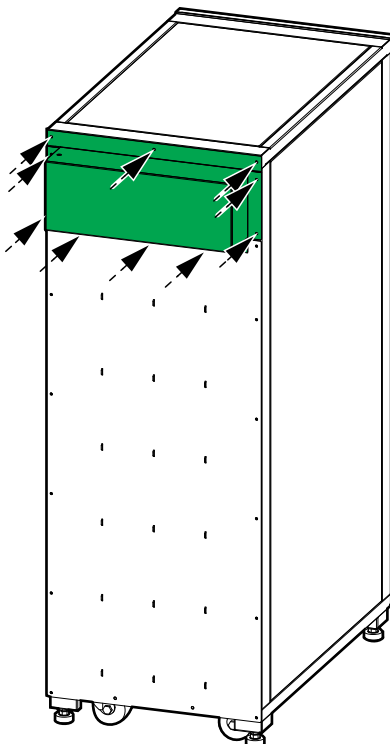
1. Remove the conduit box from the rear side of the modular battery cabinet.

Rear View of the Modular Battery Cabinet



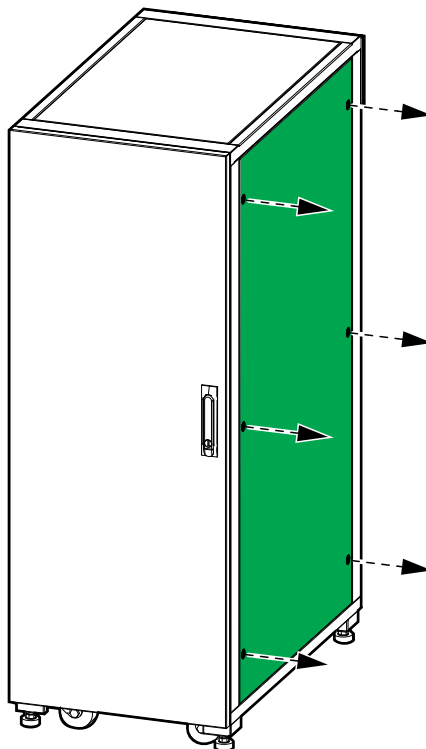
2. Rotate the conduit box and install.

Rear View of the Modular Battery Cabinet



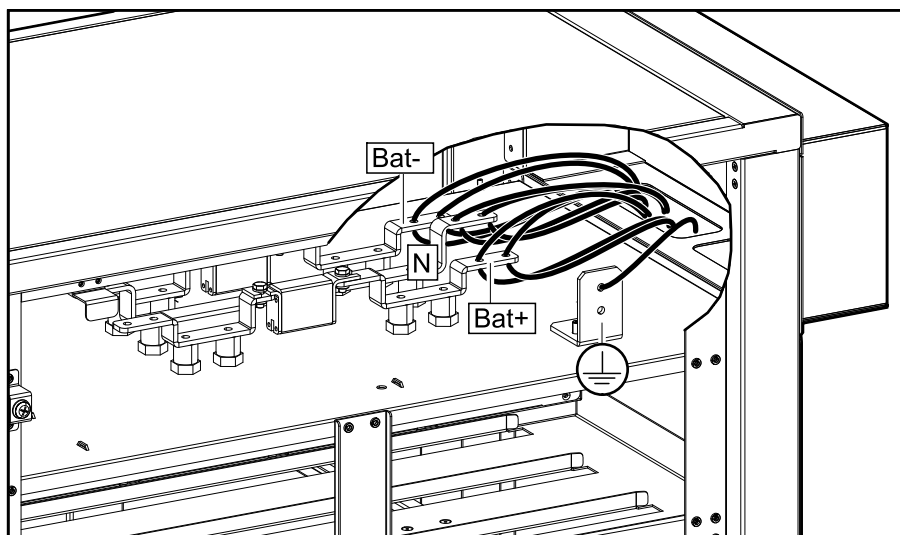
3. Remove the right or left side panel.

Front View of the Modular Battery Cabinet

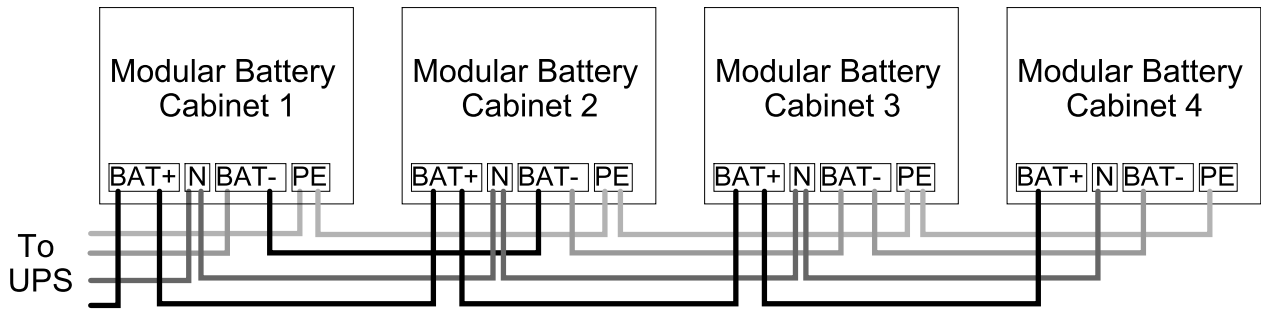


4. Connect the supplied battery cables to the busbars:
 - 10–20 kVA UPS: WH100138 (Bat+), WH100139 (N), WH100140 (Bat-), WH100145 (PE)
 - 30–40 kVA UPS: WH100141 (Bat+), WH100142 (N), WH100143 (Bat-), WH100146 (PE)

Right Side View of the Modular Battery Cabinet

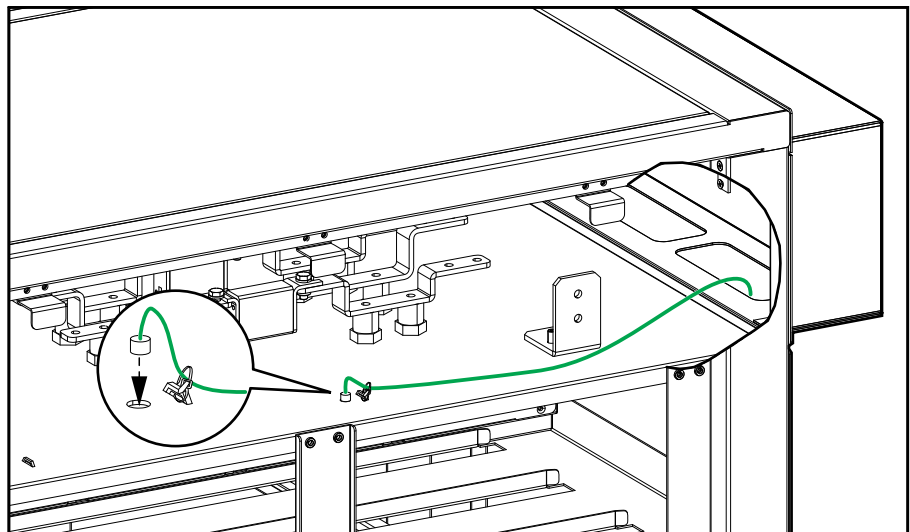


- If more than one modular battery cabinet is part of the installation, connect the battery cables between the modular battery cabinets.



- Install the temperature sensor E3SOPT003 (if available).

Right Side View of the Modular Battery Cabinet



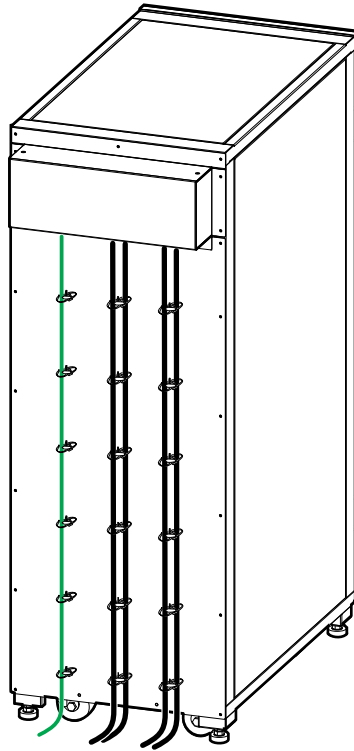
- Route the battery temperature sensor cables through the conduit box to the UPS. Disconnect the cables from J2-1 and J2-2 and connect the battery temperature sensor.



- Reinstall the side panel.

9. Fasten the cables to the cable reliefs.

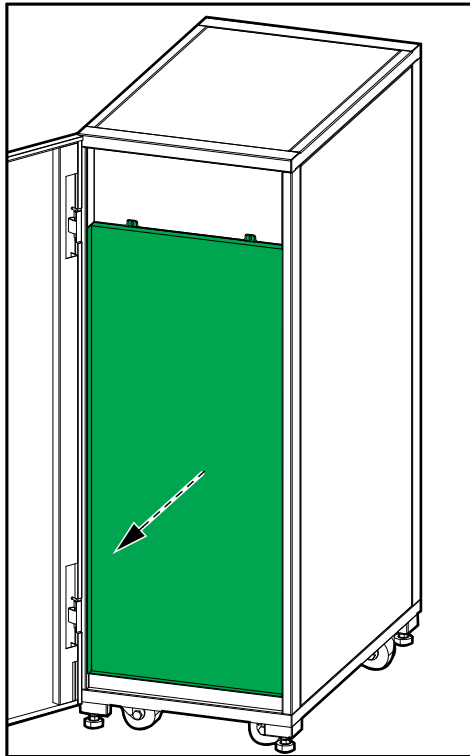
Rear View of the Modular Battery Cabinet



Install Batteries in the Modular Battery Cabinet

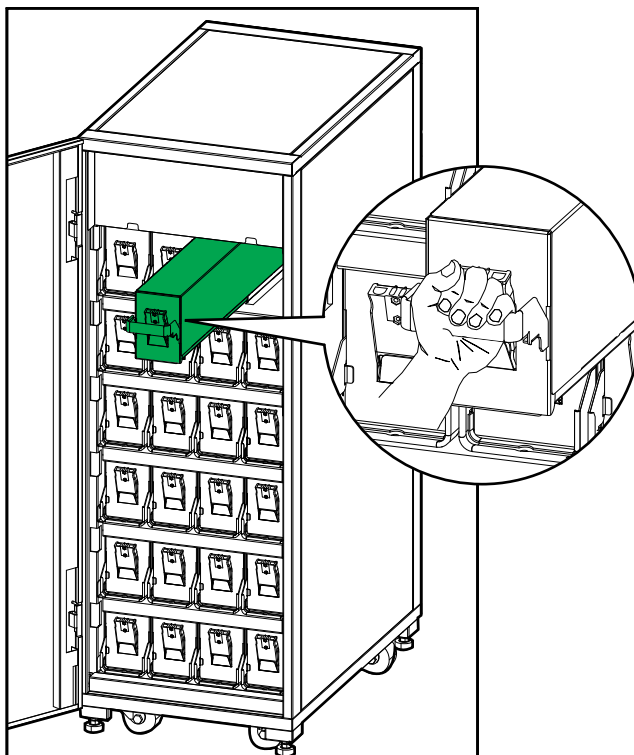
1. Remove the plate in front of the battery shelves.

Front View of the Modular Battery Cabinet



2. Holding the handle, install the battery modules one string at a time from the bottom and up.

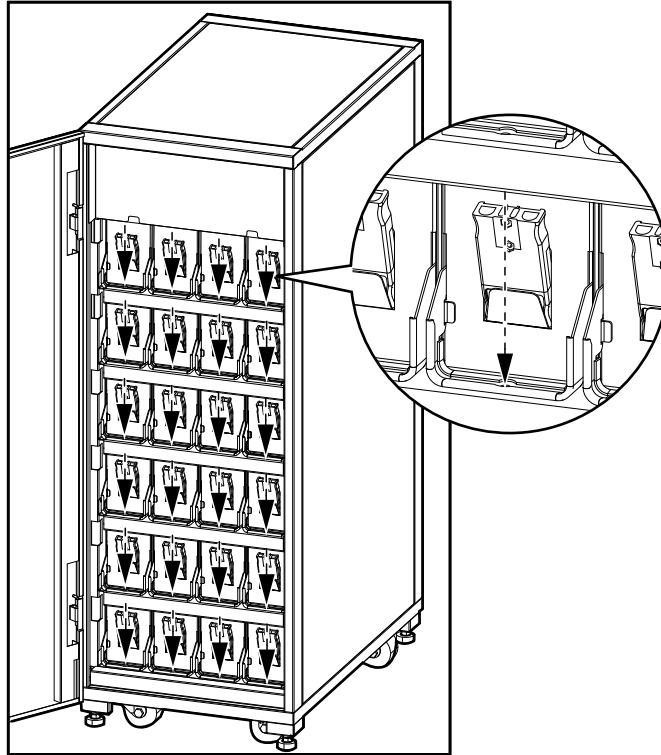
Front View of the Modular Battery Cabinet



3. Push down the handle of each battery module.

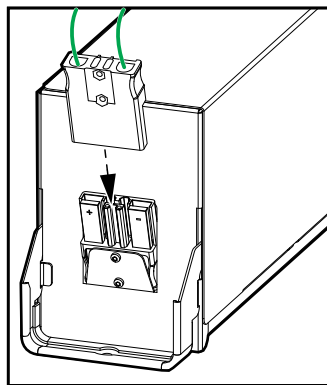
4. Fasten each battery module with the provided screw in front of the battery module.

Front View of the Modular Battery Cabinet



5. Connect the power terminals to the batteries.

Front View of Battery Module



6. Reinstall the plate in front of the battery shelves.

Schneider Electric
35 rue Joseph Monier
92500 Rueil Malmaison
France

+ 33 (0) 1 41 29 70 00

www.schneider-electric.com

As standards, specifications, and design change from time to time,
please ask for confirmation of the information given in this publication.

© 2018 – 2018 Schneider Electric. All rights reserved.

990-5993A-001