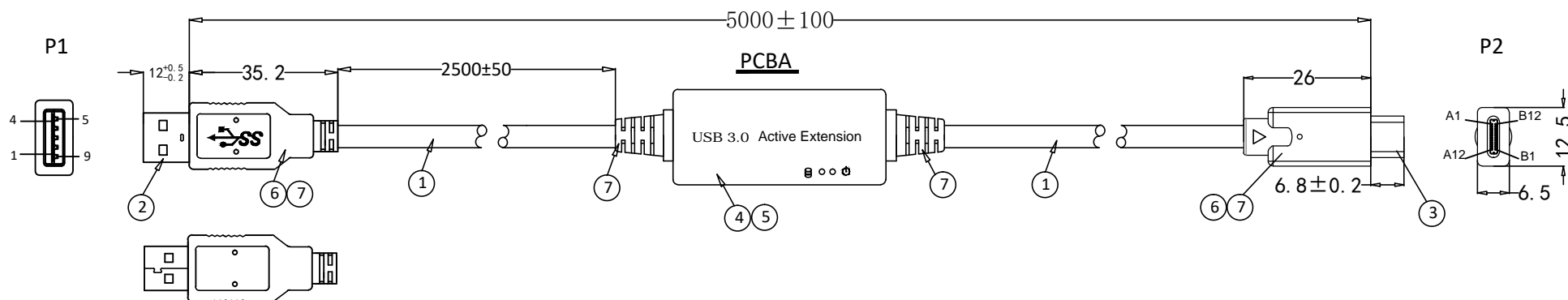


RoHS compliant

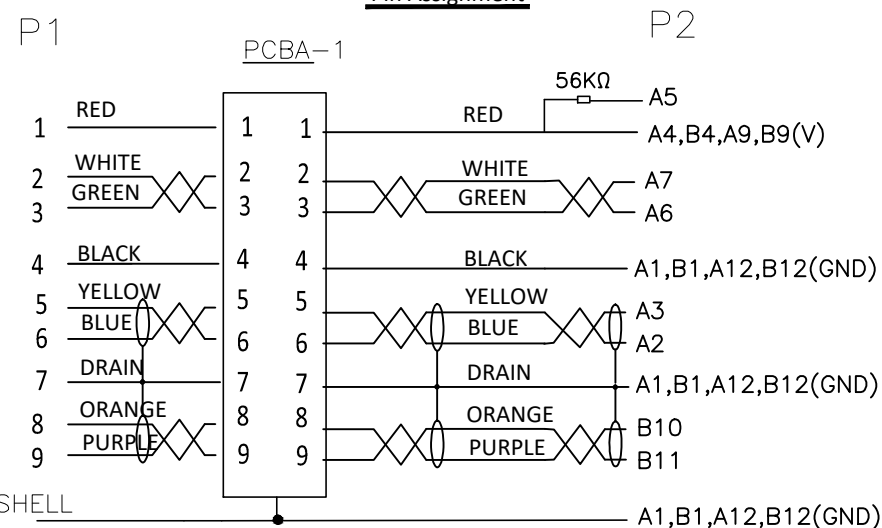
REV	MODIFICATION	DATE
A	ISSUE	2021.06.22



**ELECTRONIC FEATURES:**

A.Read &Write speed more than 300MB/S with SSD disk.

**Pin Assignment**



NO	NAME	SPECIFICATIONS	Q'TY	UNIT
⑦	MOLDED	45P BLACK PVC	16	G
⑥	MOLDED	LD-PE	3	G
⑤	HOOD	ABS ASSEMBLY HOOD, BLACK COLOR	2	PCS
④	PCBA	USB3.0 PCBA WITH IC VL210	1	PCS
③	CONN.2	Type C MALE BALCK INSULATION ,CONTACT PIN G/F AND SHELL NICKEL PLATE(Rp=56K)	1	PCS
②	CONN.1	USB 3.0A MALE CONNECTOR, BLUE INSULATION, CONTACT PIN G/F PLATED AND SHELL NICKEL PLATED	1	PCS
①	CABLE	[(7/0.127TC*1P+D7/0.10TC+AL+MYALR)*2C+7/0.127TC*1P+7/0.20*2C+AL -FOIL+D (1/0.32BC)+B(96/0.12LMS)] 黑 PVC JACKET, OD; 5.5 印字: HIGH SPEED USB 3.0 CABLE	5000	MM

PROJ:	TOLERANCE: XX=XXX=	PROUCT NAME: USB3.0 AM to CM_5M
SCALE: NONE	REV: A	PART NO:
UNIT: MM	SHEET: 1/2	CUST:
SUST APPROVED:		
APPROVED: Emil Olsen		
CHECKED:		
DRAWING: 2021.06.22		