

CITIZEN

# LINE THERMAL PRINTER

MODEL CT-E601

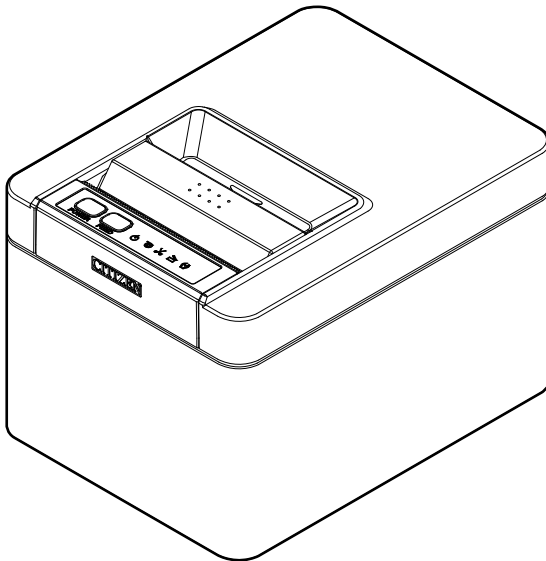
User's Manual

Mode d'emploi

Benutzerhandbuch

Manuale dell'utente

Manual de Usuario



CITIZEN SYSTEMS JAPAN CO., LTD.

# WEEE MARK

En

If you want to dispose of this product, do not mix it with general household waste. There is a separate collection systems for used electronics products in accordance with legislation under the WEEE Directive and is effective only within European Union.

Ge

Wenn Sie dieses Produkt entsorgen wollen, dann tun Sie dies bitte nicht zusammen mit dem Haushaltsmüll. Es gibt im Rahmen der WEEE-Direktive innerhalb der Europäischen Union gesetzliche Bestimmungen für separate Sammelsysteme für gebrauchte elektronische Geräte und Produkte.

Fr

Si vous souhaitez vous débarrasser de cet appareil, ne le mettez pas à la poubelle avec vos ordures ménagères. Il existe un système de récupération distinct pour les vieux appareils électroniques conformément à la législation WEEE sur le recyclage des déchets des équipements électriques et électroniques qui est uniquement valable dans les pays de l'Union européenne.

Les appareils et les machines électriques et électroniques contiennent souvent des matières dangereuses pour l'homme et l'environnement si vous les utilisez et vous vous en débarrassez de façon inappropriée.

Sp

Si desea deshacerse de este producto, no lo mezcle con residuos domésticos de carácter general. Existe un sistema de recogida selectiva de aparatos electrónicos usados, según establece la legislación prevista por la sobre residuos de aparatos eléctricos y electrónicos (RAEE), vigente únicamente en la Unión Europea.

It

Se desiderate gettare via questo prodotto, non mescolatelo ai rifiuti generici di casa. Esiste un sistema di raccolta separato per i prodotti elettronici usati in conformità alla legislazione RAEE, valida solo all'interno dell'Unione Europea.

Du

Deponer dit product niet bij het gewone huishoudelijk afval wanneer u het wilt verwijderen. Er bestaat ingevolge de WEEE-richtlijn een speciaal wettelijk voorgeschreven verzamelsysteem voor gebruikte elektronische producten, welk alleen geldt binnen de Europese Unie.

Da

Hvis du vil skille dig af med dette produkt, må du ikke smide det ud sammen med dit almindelige husholdningsaffald. Der findes et separat indsamlingsssystem for udtjente elektroniske produkter i overensstemmelse med lovgivningen under WEEE-direktivet, som kun er gældende i den Europæiske Union.

Por

Se quiser deitar fora este produto, não o misture com o lixo comum. De acordo com a legislação que decorre da Directiva REEE – Resíduos de Equipamentos Eléctricos e Electrónicos, existe um sistema de recolha separado para os equipamentos electrónicos fora de uso, em vigor apenas na União Europeia.

Pol

Jeżeli zamierzasz pozbyć się tego produktu, nie wyrzucaj go razem ze zwykłymi domowymi odpadkami. Według dyrektywy WEEE obowiązującej w Unii Europejskiej dla używanych produktów elektronicznych należy stosować oddzielne sposoby utylizacji.



**ENGLISH**

## Compliance Statement for European Users

CE marking shows conformity to the following criteria and provisions:

Low Voltage Directive (2014/35/EU), EMC Directive (2014/30/EU), and RoHS directive (2011/65/EU)

Full text of the EU declaration of conformity is available at the following internet address:

[http://www.citizen-systems.co.jp/en/printer/download/eu\\_doc.html](http://www.citizen-systems.co.jp/en/printer/download/eu_doc.html)

**IMPORTANT:** This equipment generates, uses, and can radiate radio frequency energy and if not installed and used in accordance with the instruction manual, may cause interference to radio communications. It has been tested and found to comply with the limits for a Class A computing device pursuant to Subpart J of Part 15 of FCC Rules, which are designed to provide reasonable protection against such interference when operated in a commercial environment. Operation of this equipment in a residential area is likely to cause interference, in which case the user at his own expense will be required to take whatever measures may be necessary to correct the interference.

**CAUTION: Use shielded cable for this equipment.**

### Sicherheitshinweis

Die Steckdose zum Anschluß dieses Druckers muß nahe dem Gerät angebracht und leicht zugänglich sein.

## GENERAL PRECAUTIONS

- Before using this product, be sure to read through this manual. After having read this manual, keep it in a safe, readily accessible place for future reference.
- The information contained herein is subject to change without prior notice.
- Reproduction or transfer of part or all of this document in any means is prohibited without permission from Citizen Systems.
- Note that Citizen Systems is not responsible for any operation results regardless of omissions, errors, or misprints in this manual.
- Note that Citizen Systems is not responsible for any trouble caused as a result of using options or consumables that are not specified in this manual.
- Except explained elsewhere in this manual, do not attempt to service, disassemble, or repair this product.
- Note that Citizen Systems is not responsible for any damage attributable to incorrect operation/handling or improper operating environments that are not specified in this manual.
- Data is basically for temporary use and not stored for an extended period of time or permanently. Please note that Citizen Systems is not responsible for damage or lost profit resulting from the loss of data caused by accidents, repairs, tests or other occurrences.
- If you find omissions, errors, or have questions, please contact your Citizen Systems dealer.
- If you find any pages missing or out of order, contact your Citizen Systems dealer for a replacement.

Use of the Made for Apple badge means that an accessory has been designed to connect specifically to the Apple product(s) identified in the badge and has been certified by the developer to meet Apple performance standards.

Apple is not responsible for the operation of this device or its compliance with safety and regulatory standards.

Please note that the use of this accessory with an Apple product may affect wireless performance.

- Apple, Apple TV, Apple Watch, iPad, iPad Air, iPad Pro, iPhone, and Lightning are trademarks of Apple Inc., registered in the U.S. and other countries. tvOS is a trademark of Apple Inc. The trademark “iPhone” is used in Japan with a license from iPhone K.K.
- EPSON and ESC/POS are registered trademarks of Seiko Epson Corporation.
- QR Code is a registered trademark of DENSO WAVE INCORPORATED.

- Ethernet is a registered trademark of Fuji Xerox Corporation.
- Bluetooth® is a registered trademark of Bluetooth-SIG Inc.
- CITIZEN is a registered trademark of Citizen Watch Co., Ltd.
- All other trademarks are the property of their respective owners.
- Citizen Systems use these trademarks in accordance with the license of relevant owners.

Copyright© CITIZEN SYSTEMS JAPAN CO., LTD. 2021

# SAFETY PRECAUTIONS...WHICH SHOULD BE STRICTLY OBSERVED

Before using this product for the first time, carefully read these SAFETY PRECAUTIONS. Improper handling may result in accidents (fire, electric shock or injury).

In order to prevent injury to operators, third parties, or damage to property, special warning symbols are used in the User's Manual to indicate important items to be strictly observed.

- After having read this Manual, keep it in a safe, readily accessible place for future reference.
- Some of the descriptions contained in this manual may not be relevant to some printer models.

The following describes the degree of hazard and damage that could occur if the printer is improperly operated by ignoring the instructions indicated by the warning symbols. Be sure to read this information carefully.



## WARNING

Neglecting precautions indicated by this symbol may result in fatal or serious injury.



## CAUTION

Neglecting precautions indicated by this symbol may result in injury or damage to property.



This symbol is used to alert your attention to important items.



This symbol is used to alert you to the danger of electric shock or electrostatic damage.



This symbol denotes a request to unplug the printer from the wall outlet.



This symbol is used to indicate that the power supply must be grounded.



This symbol is used to indicate useful information, such as procedures, instructions or the like.



This symbol is used to indicate prohibited actions.

# PRECAUTIONS ON PRINTER INSTALLATION



## WARNING

■ **Do not use or store this product in a place where it will be exposed to:**

- \* Flames or moist air.
- \* Direct sunlight.
- \* Hot airflow or radiation from a heating device.
- \* Salty air or corrosive gases.
- \* Ill-ventilated atmosphere.
- \* Chemical reactions in a laboratory.
- \* Airborne oil, steel particles, or dust.
- \* Static electricity or strong magnetic fields.



■ **These locations create the risk of printer damage, as well as product failure, overheating, emission of smoke, fire, or electric shock.**

**They can also result in fire or electric shocks and so should always be avoided.**

■ **Do not drop any foreign object nor spill liquid into the printer. Do not place any object on the printer either.**

■ **Do not drop any metallic object such as paper clips, pins or screws into the printer.**

■ **Do not place a flower vase, pot, or anything containing water on the printer.**

■ **Do not spill coffee, soft drinks, or any other liquid into the printer.**

■ **Do not spray insecticide or any other chemical liquid over the printer.**

■ **Dropping a metallic foreign object into the printer, may cause printer failure, fire, or electric shock.**

**Should it occur, immediately turn the printer off, unplug it from the supply outlet, and call your local Citizen Systems dealer.**



■ **Do not handle the printer in the following ways:**

- Do not subject the printer to strong impacts or hard jolts (e.g., being stepped on, dropped or struck).
- Never attempt to disassemble or modify the printer.

■ **These actions create the risk of printer damage, as well as product failure, overheating, emission of smoke, fire, or electric shock.**

**They can also result in fire or electric shocks and so should always be avoided.**







## WARNING

**This device is not appropriate to be used where a child may be present. Install, store, or use the device where it cannot be reached by a child.**



- Electric appliances could cause an unexpected injury or accident if they are handled or used improperly.
- Keep the power cord and signal cables out of the reach of children. Also children should not be allowed to gain access to any internal part of the printer.
- The plastic bag the printer came in must be disposed of properly or kept away from children. Wearing it over the head may lead to suffocation.

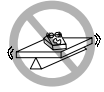


## CAUTION

**Do not use the printer under the following conditions.**

- Avoid locations subject to vibration or instability.
- Avoid locations where the printer is not level.
  - ◆ **The printer may fall and cause an injury.**
  - ◆ **The quality of printing may deteriorate.**
- Do not obstruct the printer's air vents.
- Do not place anything on the printer.
- Do not cover or wrap the printer in cloth or blankets.
  - ◆ **Doing so could cause heat to build up and deform the case or start a fire.**
- Avoid using the printer near a radio or TV set or from supplying it from the same electric outlet as these appliances.
- Avoid using the printer interconnected with a cable or cord that has no protection against noise.

(For interconnections, use shielded or a twisted pair of cables and ferrite cores, or other anti-noise devices.)
- Avoid using the printer with a device that is a strong source of noise.
  - ◆ **The printer may have an adverse effect on nearby radio or TV transmissions. There may also be cases when nearby electrical appliances adversely influence the printer, causing data errors or malfunction.**
- Installed in any orientation other than those specified.
  - ◆ **Malfunction, failure, or electric shock may result.**





## CAUTION

■ **Connect the printer to a ground.**

- Electric leakage may cause an electric shock.



■ **Do not connect the printer's ground to any of the following:**

\* Gas piping

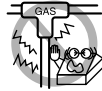
- A gas explosion could result.



\* Telephone line ground

\* Lightning rod

- If lightning strikes a large surge of current may cause fire or shock.



\* Water pipes

- Plastic water pipes should not be used for grounding. (Those approved by a Waterworks Department may be used.)

■ **Before connecting or disconnecting the grounding lead to or from the printer, always unplug it from the electric outlet.**



# PRECAUTIONS IN HANDLING THE PRINTER



## WARNING

Please observe the following precautions for power source and power cord:

- Do not plug or unplug the power cord with a wet hand.
- Use the printer only at the specified supply voltage and frequency.
- Use only the specified AC adapter with the printer.
- Use only the power cord that comes with the printer, and never use the supplied power cord with another device.
- Check to make sure that the supply outlet from which the printer is powered has a sufficient capacity.
- Do not supply the printer from a power strip or current tap shared with other appliances.
- Do not plug the power cord into an electric outlet with dust or debris left on the plug.
- Do not use a deformed or damaged power cord.
- Do not move the printer while its power is on.
- ◆ **Neglecting to handle it properly may result in printer failure, emission of smoke, fire, or electric shock.**
- ◆ **An overload may cause the power cord to overheat, catch fire, or the circuit breaker to trip.**
- Do not allow anything to rest on the power cord. Do not place the printer where the power cord may be stepped on.
- Do not subject the power cord to severe bending, twisting, or pulling. Do not carry the product while it is in this state either.
- Do not attempt to modify the power cord unnecessarily.
- Do not place the power cord near any heating device.
- ◆ **Neglecting these cautions may cause wires or insulation to break, which could result in electric leakage, electric shock, or printer failure.**  
**If the power cord sustains damage, contact your Citizen Systems dealer.**
- Do not leave things around the electric outlet.
- Supply power to the printer from a convenient electric outlet, readily accessible in an emergency.
- ◆ **Pull the plug to immediately shut it down in an emergency.**
- Insert the power plug fully into the outlet.
- If the printer will not be used for a long time, disconnect it from its electric outlet.





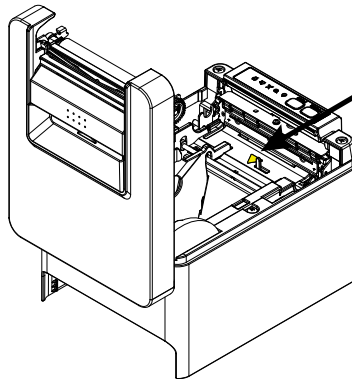
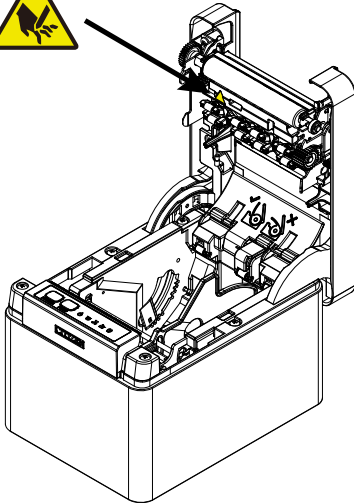
## **WARNING**

- Hold the plug and connector when plugging or unplugging the power cord or signal cable after turning off the printer and the appliance connected to it.

## CAUTION

Caution label is attached in the position shown in the following figure. Carefully read the handling precautions before using the printer.

These labels indicate that the head becomes hot, so touching it may cause burns, and touching the auto cutter when opening the paper cover may cause cuts on hands.



**Do not transport this printer with the paper roll inside.**

- Printer failure or damage may occur.

**To prevent possible malfunction or failure observe the following.**

- Do not open the paper cover during printing.
- Avoid operating the printer without paper properly loaded.
- Avoid the use of paper not complying with specifications.
  - ◆ **May result in poor print quality.**
- Avoid using torn pieces of paper or paper spliced with plastic adhesive tape.
- Avoid forcibly pulling already loaded paper by hand.
- Avoid using a sharp pointed device to operate panel buttons.





## CAUTION

### ■ Be sure to firmly insert the cable plugs into their mating sockets.

- A cross connection may damage the printer's internal electronics or the host system's hardware.



### ■ Only use the printer with devices that have designated solenoid specifications for the cash drawer interface connector.

- Neglecting this caution may result in malfunction or failure.

### To prevent injury and printer failures from worsening, observe the following:

- Do not touch the printing surface of the thermal head.
- Do not touch any of the moving parts (e.g., paper cutter, gears, active electric parts) while the printer is working.
- In case of trouble do not attempt to repair the printer. Ask Citizen Systems service for repair.
- Be careful that the covers do not pinch your hands or fingers.
- Be careful of the sharp edges on the printer. Do not allow them to injure you or damage property.



### ◆ May result in electric shock, burn, or injury.

If the printer emits smoke, an odd smell, or unusual noise while printing, immediately abort the current print session and unplug the printer from the electric outlet.



## DAILY MAINTENANCE

### Observe the following precautions for daily maintenance.

- When cleaning the printer, always turn it off and unplug it from the electric outlet.
- Using a soft and dry cloth, wipe off any dirt or dust on the surface of the case.

If it is badly soiled, wipe it off with a dish towel wetted with water and wrung out hard.

Never use organic solvents such as thinner, trichloroethylene, benzene, ketone, etc., or chemically treated cloth.

- To remove paper dust, use a soft brush.





## **CAUTION**

**The thermal head is at a dangerously high temperature immediately after printing.  
Allow it to cool off before starting maintenance work.**



# THE TABLE OF CONTENTS

<b>1. GENERAL OUTLINE .....</b>	<b>19</b>
1.1 Features .....	19
1.2 Unpacking .....	21
1.3 Model Classification .....	22
1.4 Basic Specifications .....	22
<b>2. EXPLANATION OF PRINTER PARTS .....</b>	<b>25</b>
2.1 Printer Appearance .....	25
2.2 Inside the Paper Cover .....	28
2.3 Other Built-in Functions .....	30
<b>3. SETUP .....</b>	<b>32</b>
3.1 Connecting the AC Power Cord .....	32
3.2 Serial Interface Board .....	33
3.3 USB Interface .....	35
3.4 Bluetooth Interface Board .....	36
3.5 Bluetooth USB host interface board .....	39
3.6 Ethernet (LAN)/Wireless LAN Interface Board .....	47
3.7 Lightning USB host interface board .....	54
3.8 USB Power Supply Port .....	60
3.9 Connecting the Cash Drawer .....	62
3.10 Precautions for Installing the Printer .....	64
3.11 Adjusting the Paper Near-end Sensor .....	65
3.12 Loading Paper .....	66
3.13 58-mm Width Roll Paper Partition .....	69
3.14 Mounting the Cable Cover .....	70
3.15 Precautions for Creating Applications and Practical Operations .....	71
3.16 Download Site for Various Electronic Files .....	71
<b>4. MAINTENANCE AND TROUBLESHOOTING .....</b>	<b>72</b>
4.1 Periodic Cleaning .....	72
4.2 Clearing a Cutter Error .....	74
4.3 Canceling print stop caused by a paper jam .....	74
4.4 Self Test .....	75
4.5 Hexadecimal Dump Printing .....	76
4.6 Error Indications .....	77

4.7 Paper Jams ..... 79

4.8 Precautions for Performing Printing for Which Printing Speed  
Changes ..... 79

**5. OTHER ..... 80**

5.1 External Views and Dimensions ..... 80

5.2 Printing Paper ..... 81

5.3 Manual Setting of Memory Switches ..... 83

# 1. GENERAL OUTLINE

The CT-E601 line thermal printer series is designed for use with a broad array of terminal equipment including data, POS, and kitchen terminals.

These printers have extensive features so they can be used in a wide range of applications.

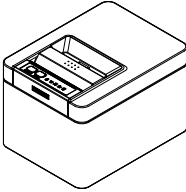
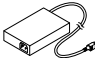
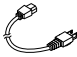
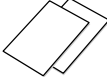
## 1.1 Features

- High-speed printing at up to 350 mm/sec possible
- Silver ion-blended plastic is used for the exterior
- Stylish design
- Compact size with the lowest possible height
- Support for paper widths of 80 mm and 58 mm
- High-speed cutter employed
- Equipped the printing stop sensor by paper jam
- Equipped with a paper anti-curling function
- USB interface included as standard
- Equipped with a standard USB power supply port
- Energy saving function (ENERGY STAR compliant)
- Interchangeable interface board
- XML/Web print function included (wired LAN or wireless LAN model)
- USB host function capable of controlling peripheral devices included (wired LAN, Bluetooth or Lightning USB host model)
- The Lightning model can transmit data even during fast charging of Apple devices
- Printer status and errors indicated by five LEDs
- Built-in drawer kick interface
- USB-linked power OFF function available
- 16 level greyscale and clear printing
- Paper saving function available
- Support for the JIS X0213 third and fourth level Kanji character sets
- Support for the simplified and traditional Chinese character sets and Hangul character set
- Support for UTF-8 using commands
- Various customizations using the memory switches possible

- User created characters and logos can be saved in the user memory
- Support for barcodes including 2D barcodes
- Apple MFi certified Bluetooth and USB (Lightning) communication support (Bluetooth model, Lightning model)

## 1.2 Unpacking

Make sure the following items are included with your printer.

NAME	QUAN- TITY	ILLUSTRATION
Printer	1	 A line drawing of a compact, rectangular printer with a paper tray on top and a control panel on the front.
AC Adapter (37AD5)	1	 A line drawing of a small, rectangular AC adapter with a power cord attached to one end.
AC power cord	1	 A line drawing of a standard AC power cord with a three-pronged plug on one end and a two-pronged plug on the other.
Quick Start Guide	2	 A line drawing of two overlapping sheets of paper, representing the Quick Start Guide.

## 1.3 Model Classification

Model numbers indicate printer features according to the following system.

**CT - E601 RS E - BK**

1                      2                      3                      4

1: Model name

2: Interface

RS: Serial RS-232C+USB

ET: Ethernet+USB

HET: Ethernet (USB host function) + USB

BT: Bluetooth+USB

HBT: Bluetooth (USB host function)

WF: Wireless LAN+Ethernet+USB

LT: Lightning (USB host function) + USB

NN:USB

3: Market

U: North America

E: Europe

4: Body case color

WH: Pure white

BK: Black

Contact us in advance for special combinations, some of which may not be available.

## 1.4 Basic Specifications

Item	Specifications
Model	CT-E601
Print method	Line thermal dot print method
Print widths	72 mm/576 dots, 68.25 mm/546 dots, 64 mm/512 dots, 52.5 mm/420 dots, 48.75 mm/390 dots, 48 mm/384 dots, 45 mm/360 dots, factory default 72 mm
Dot density	8 × 8 dots/mm (203 dpi)
Print Speed	350 mm/sec (maximum speed, print density level 100%, 2800 dot lines/sec)

Item	Specifications			
Number of print columns *1	Font	Maximum number of characters (columns) / 80 mm	Maximum number of characters (columns) / 58 mm	Dot configuration (dots)
	Font A	48	35	12 × 24
	Font B	64	46	9 × 24
	Font C	72	52	8 × 16
Character size *2	Font A:1.50×3.00 mm, Font B:1.13×3.00 mm, Font C:1.00×2.00 mm			
Character type	Alphanumeric characters, international characters, PC437/850/852/857/858/860/863/864/865/866, WPC1252, WPC1258, Katakana, ThaiCode 11/18 (1Pass/3Pass), TCVN-3, Kanji (JIS first, second, third, and fourth level), Kana, extended characters, JIS X0213, GB18030, BIG5, KS Hangul, EUC Hangul			
User memory	384 KB (capable of storing user-defined characters and logos)			
Bar code types	UPC-A/E, JAN(EAN) 13 digits/8 digits, ITF, CODE39, CODE128, CODABAR (NW-7), CODE93, PDF417, QR Code, GS1-DataBar			
Line spacing	4.25 mm (1/6 inch) (Variable by command)			
Paper roll	Roll paper: 80 mm x max. ø83 mm Paper thickness: 53 to 85 µm (paper roll inner diameter 12 mm / outer diameter 18 mm)			
Interface	Serial (RS-232C standard), USB, Bluetooth+USB, LAN, wireless LAN+LAN, LAN (USB host function) (USB 2 port)), Bluetooth (USB host function) (USB 2 port)), Lightning (USB host function (USB3 port))			
Ethernet	100BASE-TX/10BASE-T			
Wireless LAN	IEEE802.11n, IEEE802.11a, IEEE802.11g, IEEE802.11b			
Bluetooth	Version: Bluetooth 3.0 + EDR Profile: SPP (Serial Port Protocol), iAP (iPod Accessory Protocol) Power class: Class2			
Bluetooth (USB host function)	Version: Bluetooth 4.2 + EDR Profile: SPP (Serial Port Protocol), iAP2 (iPod Accessory Protocol) Power class: Class2			
USB power supply port	Max. 2.1 A			
Cash drawer kick-out	Supports 2 cash drawers			
Input buffer	4 K bytes/45 bytes			
Supply voltage	DC 24 V ±5%			
Power consumption	Approx. 50 W (when printing), approx. 1 W (in standby mode), approx. 0.3 W (with power off)			
AC Adapter (37AD5)	Rated input: AC 100 to 240 V, 50/60 Hz, 150 VA Rated output: DC 24 V, 2.1 A			
Weight	Approximately 1.2 kg			
Outside dimensions	125 (W) × 165 (D) × 108 (H) mm			
Operating temperature and humidity	5 to 45 °C, 10 to 90% RH (no condensation)			
Storage temperature and humidity	-20 to 60 °C, 10 to 90% RH (no condensation)			
Reliability	Print head life: 200 km, 200 million pulses (room temperature, room humidity, specified recommended paper, specified paper thickness), Auto cutter life: 2 million cuts (3-inch), 1.5 million cuts (2-inch) (room temperature, room humidity, specified recommended paper, specified paper thickness)			
Safety standard *3	UL, FCC Class A, CE Marking			

Notes:

\*1 The number of printable columns is selected using a memory switch.

The numbers of columns noted in this table refer to typical models. The number of columns varies depending on specifications.

\*2 Characters appear small because the dimensions include a blank area surrounding each character.

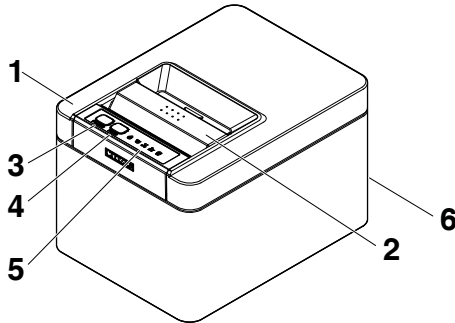
\*3 This standard applies when our AC Adapter (37AD5) is used.



# 2. EXPLANATION OF PRINTER PARTS

## 2.1 Printer Appearance

### Names of parts



1: Paper cover

Open to load paper.

Also open to clear a cutter error.



**Refer to 4.2 Clearing a Cutter Error**

2: Cover open lever

Use to open the paper cover.

3: POWER button

Hold down two or three seconds to switch power on or off.

4: FEED button

Press this button to feed paper.

In case of a cutter error, press the FEED button with the paper cover closed after removing the cause.

The printer enters the mode for setting memory switches and running self test.



**Refer to 4.4 Self Test**

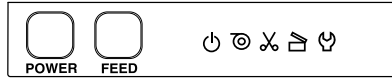


**Refer to 5.3 Manual Setting of Memory Switches**






5: Operation panel

6: Rear connectors

## Operation panel



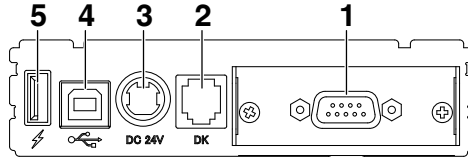
The operation panel has five LEDs and two buttons.

	LED name	Color	Description
	POWER LED	Green	Lights when the power is on, turns off when the power is off.
	PAPER LED	Green	Lights or flashes when no paper or low paper is detected. May also light or flash when other abnormalities are detected.
	CUTTER LED	Green	Flashes when a cutter error is detected. May also light or flash when other abnormalities are detected.
	COVER LED	Green	Lights or flashes when an open paper cover is detected. May also light or flash when other abnormalities are detected.
	SERVICE LED	Orange	Flashes when an unrecoverable printer abnormality is detected.



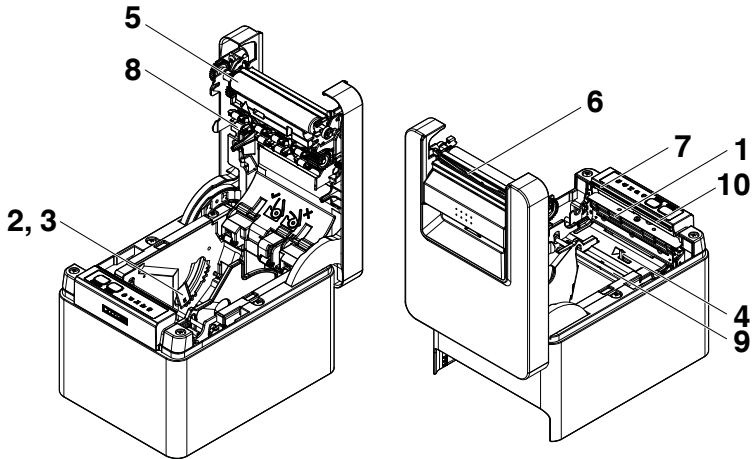
**Refer to 4.6 Error Indications**

**Rear connectors (serial interface example)**



- 1: Interface connector (serial, USB, etc.)  
Connect to the interface cable.
- 2: Cash drawer kick-out connector  
Connect to the cable from the cash drawer.
- 3: Power connector  
Connect to the AC adapter cable.
- 4: USB connector
- 5: USB power supply port  
Supply power to a USB device.

## 2.2 Inside the Paper Cover



### 1: Print head (thermal)

Prints characters and graphic data on paper (paper rolls).

### 2: Paper near-end (PNE) sensor

Detects when the paper is near the end of the roll. Adjust the position of the sensor to determine when it detects the end of the paper is near.

### 3: Button to change paper near-end sensor

Change the position of the paper near-end sensor to match the paper being used.



**Refer to 3.11 Adjusting the Paper Near-end Sensor**

### 4: Paper end (PE) sensor

Detects when there is no paper. Printing stops when this sensor detects there is no paper.

### 5: Platen

Feeds the paper.

Do not remove the platen except to do maintenance.

### 6: Auto cutter

Cuts the paper.



**Refer to 5.3 Manual Setting of Memory Switches**

### 7: Manual cutter

For cutting the paper manually when printing is finished.

8: Paper anti-curling roller

Roller for reducing the warp of the paper.

9: Paper anti-curling damper

Damper for reducing the warp of the paper.

10: Paper jamming sensor

Sensor for detecting paper jam and stopping the printing.

<b>Notes</b>
The anti-curling roller and anti-curling damper do not straighten the paper completely.

## 2.3 Other Built-in Functions

- Buzzer

Buzzes when errors occur or when operations or command operations are performed.



**Refer to 4.6 Error Indications**

- User memory

You can save user-defined logo and character data in this memory. Data remains stored in this memory even if the printer is turned off. For information on how to save data, refer to the Command Reference.

- Memory switch

Setting of various kinds of functions can be stored in memory. Settings remain stored in the memory even if the printer is turned off.

- USB-linked power OFF (When MSW6-3 of memory switch is set to ON)

When the printer is connected to PC by USB, the printer becomes the state of USB-linked power OFF after 3 seconds when PC power off or USB connection lost.

This mode is canceled when the PC is turned back on or when a USB connection is established.

### Notes

- Since the POWER LED is unlit when the state of USB-linked power OFF, it cannot be identified from the power OFF.
- Pressing the POWER button while the state of USB-linked power OFF turns on power normally.

- Paper saving functions

Memory switches MSW8-3 through MSW8-4 can be used to configure the settings below, which save paper.

- Top margin suppression

The printer back feeds the paper before printing which reduces the blank space at the top edge of the paper.

The back feed amount can be specified.

- Line gap reduce

Automatically compresses the linefeed amount between lines. The compression ratio can be specified.



## CAUTION

Remove the partially cut paper before performing back feed for starting printing.  
The cut paper may be torn off in the next printing process, which may cause a problem.

- Auto side shift (MSW8-6)

This function dissipates heat load during frequent heat generation by a vertical ruled line or other specific head heating element.

If no data is received within 15 seconds after each cut or print, the print position is automatically slid  $N^*$  dots to the right. The original print position is returned to at the next slide timing.

\*  $N$  is the MSW8-6 setting value.

### Notes

- If the right margin is too narrow, this may result in some print characters being cut off.
- This function is disabled under initial settings.
- To enable this function, use MSW8-6 to specify an appropriate value for the maximum slide amount.

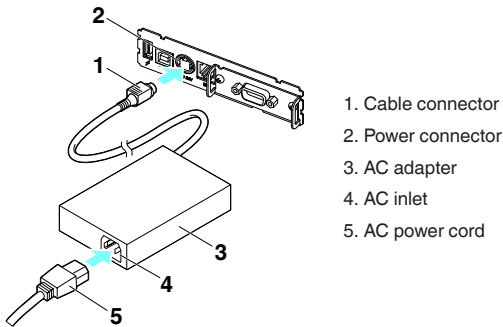
## 3. SETUP

### 3.1 Connecting the AC Power Cord

1. Turn off the power.

2. Connect the power connector to the AC adapter cable connector.

Next, connect the AC power cord to the AC inlet, and insert the plug into an electric outlet.



#### CAUTION

- Use only the specified AC adapter.
- Always hold the AC adapter's cable connector by the connector when removing or inserting it.
- Use an AC power source that does not also supply power to equipment that generates electromagnetic noise.
- Pulling on the AC power cord may damage it, cause a fire, electric shock, or break a wire.
- If a lightning storm is approaching, unplug the AC power cord from the electric outlet. A lightning strike may cause a fire or electric shock.
- Keep the AC power cord away from heat generating appliances. The insulation on the AC power cord may melt and cause a fire or electric shock.
- If the printer is not going to be used for a long time, unplug the AC power cord from the electric outlet.
- Place the AC power cord so that people do not trip on it.

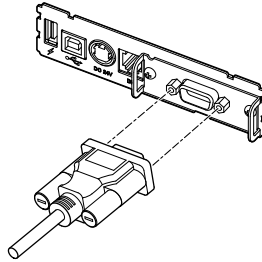


## 3.2 Serial Interface Board

Data can be exchanged by serial communication.

### Connecting the Interface Cable

1. Turn off the power.
2. Confirm the orientation of the interface cable and connect it to the port.



3. Insert the other connector firmly into the interface port of the host computer.



### CAUTION

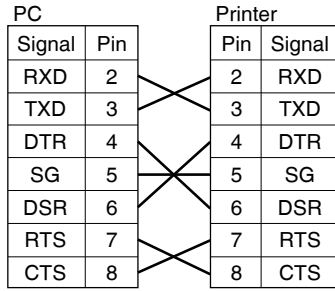
- When disconnecting the cable, always hold the connector.
- Place the interface cable so that people do not trip on it.

### Notes

Do not connect multiple interfaces at the same time.

Use a serial cable with the connection layout shown below.

### 9-pin (female) - 9-pin (female) cable



## 3.3 USB Interface

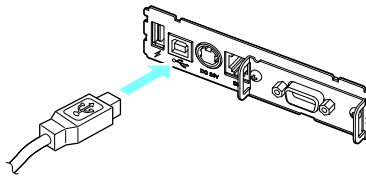
Data can be exchanged by USB communication.

### Specifications

Standard	USB 2.0 specification-compliant
Communication speed	Supports 12 Mbps (Full-Speed) transfer

### Connecting the Interface Cable

1. Turn off the power.
2. Confirm the orientation of the interface cable and connect it to the port.



3. Insert the other connector firmly into the interface port of the host computer.



### CAUTION

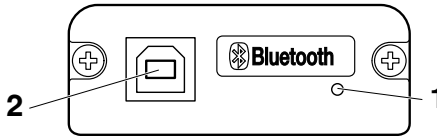
- When disconnecting the cable, always hold the connector.
- Place the interface cable so that people do not trip on it.
- Be careful not to insert the USB cable into the cash drawer kick-out connector.

### Notes

- Do not connect multiple interfaces at the same time.
- To connect more than one printer to a single computer by USB, you must change the serial number of the USB interface.
- There are models with a USB port on the interface board side.  
With such a model, do not connect USB cables to both the printer main unit side and interface board side.  
If USB cables are connected to both, priority will be given to communication of the one connected to the port on the main unit side.

## 3.4 Bluetooth Interface Board

### Names of parts



#### 1. Status LED

The Bluetooth communication/connection/error status is indicated by this LED.

#### 2. USB connector

Data can be exchanged by USB communication.

### Notes

When using this interface board as a USB interface, do not connect USB cables to both the main unit side and interface board side.

If USB cables are connected to both, priority will be given to communication of the one connected to the connector on the main unit side.

### Bluetooth status LED

Status	Description	LED Status
Detection standby (Discoverable)	Standing by for detection and connection	
Connection standby (Connectable)	Standing by for connection	
iOS connection	Data session unopened	
Communicating	iOS: data session opened Other OS: connection established and communication in progress	
Error	Error or settings being configured	Unlit

## **Pairing operation**

You need to perform the operations below the first time you establish a Bluetooth connection for Bluetooth data communication.

1. Detect Bluetooth devices
2. Configure pairing settings

### **1: Detecting Bluetooth devices**

Confirm that Bluetooth is enabled on the host PC before searching for Bluetooth devices.

This product will show up as "CT-E601\_XX"(XX is last 2 digits of unique BD address.) when it is detected.

Select this product from among the detected devices.

Note: You can search for devices and change the names.

When memory switch MSW13-5 is set to "No Response," nothing is displayed by device detection.

You can temporarily switch this setting to device detection (detect mode) by opening the paper cover and holding down the FEED button for two seconds. Detect mode is exited when the connection between the host PC is terminated.

### **2: Configuring pairing settings**

Normally, selecting the printer during device detection will transition directly to pairing settings.

<b>Notes</b>
Some host PC configurations and models may not transition directly to pairing settings after the printer is selected during device detection.

The operation required to configure pairing settings depends on whether SSP (secure simple pairing) is enabled on the host PC.

If SSP is enabled on the host PC, pairing can be achieved without additional operations.

If SSP is disabled on the host PC, you will be prompted to input a passkey.

Input the passkey as described below.

#### **Passkey**

Last four digits of the address on the self test printout (Letters A through F are uppercase)

Example: If the address is 01:23:45:67:89:AB the passkey is 89AB.

If you delete pairing information from the host PC without deleting the corresponding pairing information on the printer, the printer may not show up if you detect devices again with the host PC.

To delete printer pairing information, open the paper cover and then hold down the FEED button for five seconds.

Deleting pairing information on the printer will put the printer into discovery mode.

### **Auto reconnection**

With iOS device Bluetooth communication, a connection between a paired iOS device and the printer is not automatically restored after it is lost. However, when auto reconnection is enabled, the printer tries to reconnect with an iOS device after two-way communication is enabled and automatically restores the connection.

#### **Notes**

■ **This function is enabled when shipped from the factory. (MSW13-6)**

**Auto reconnection can take some time to connect when the host is not an iOS device.**

- Even if the partner device is an iOS device, the conditions below can interfere with the auto reconnection function.
  - **When you want Bluetooth communication to cut off after printing is complete**
  - **When there are multiple iOS devices printing on the same printer**

Under such conditions, disable auto reconnection.

### **Enabling and disabling auto reconnect**

During self test, press the FEED button 3 times -> Auto reconnect = Valid

During self test, press the FEED button 4 times -> Auto reconnect = Invalid

At the end of self test, new setting will be printed as Auto reconnect [Valid] or [Invalid].



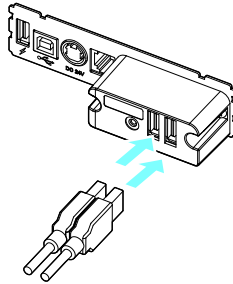
**Refer to 4.4 Self Test**

## 3.5 Bluetooth USB host interface board

In addition to printer control via Bluetooth communication, Bluetooth USB host interfaces can control peripheral devices connected via a USB port.

### Connecting a Peripheral Device

1. Turn off the power.
2. Connect the cable of a peripheral device to this port.



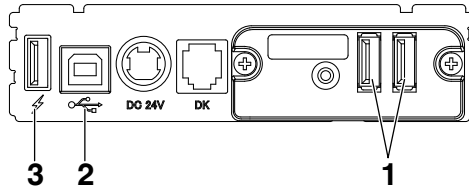
### **Notes**

A peripheral device cannot be controlled if it is connected to the USB power supply port. Be sure to connect it to the USB port of the interface board.

## Connecting a USB Device

The function assigned to each USB port differs.

Connect the USB device to be connected to the correct place in reference to the following figure.



1: For peripheral device control

Connect a peripheral device.

The connected peripheral device can be controlled.

2: For host computer communication

Connect with a host computer.

The printer and host computer will communicate via USB.



**Refer to 3.3 USB Interface**

3: For supplying power

Connect a mobile device or other USB device.

Power can be supplied to a connected USB device.

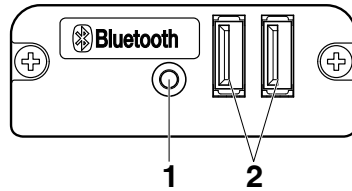
\* This port does not support USB data communication.



**Refer to 3.8 USB Power Supply Port**



## Names of parts



1: Panel button

Control this interface board.

2: USB 2 port

Connect a peripheral device.

### **Notes**

- Only connect peripheral devices specified by our company to the USB port.
- Only plug in/remove peripheral devices when the printer power is turned off.

## Pairing operation

You need to perform the operations below the first time you establish a Bluetooth connection for Bluetooth data communication.

1. Detect Bluetooth devices
2. Configure pairing settings

### **1: Detecting Bluetooth devices**

Confirm that Bluetooth is enabled on the host PC before searching for Bluetooth devices.

This product will show up as "CT-E601\_XX"(XX is last 2 digits of unique BD address.) when it is detected.

Select this product from among the detected devices.

Note: You can search for devices and change the names.

When memory switch MSW13-5 is set to "No Response," nothing is displayed by device detection.

With these settings, pressing and holding the panel button for at least three seconds and then pressing it twice more places the product temporarily in a state where it will be found in device searching (discovery mode).

Discovery mode cancels when the product is connected to a host PC.

## 2: Configuring pairing settings

Normally, selecting the printer during device detection will transition directly to pairing settings.

Notes
Some host PC configurations and models may not transition directly to pairing settings after the printer is selected during device detection.

The operation required to configure pairing settings depends on whether SSP (secure simple pairing) is enabled on the host PC.

If SSP is enabled on the host PC, pairing can be achieved without additional operations.

If SSP is disabled on the host PC, you will be prompted to input a passkey.

Input the passkey as described below.

Passkey

Last four digits of the address on the self test printout (Letters A through F are uppercase)

Example: If the address is 01:23:45:67:89:AB the passkey is 89AB.

If you delete pairing information from the host PC without deleting the corresponding pairing information on the printer, the printer may not show up if you detect devices again with the host PC.

When deleting pairing information, press and hold the panel button for at least three seconds, and after the buzzer sounds, press it four more times.

If successful, "Erase Bonded Device" is printed.

Deleting pairing information on the printer will put the printer into discovery mode.

### **Auto reconnection**

With iOS device Bluetooth communication, a connection between a paired iOS device and the printer is not automatically restored after it is lost. However, when auto reconnection is enabled, the printer tries to reconnect with an iOS device after two-way communication is enabled and automatically restores the connection.

## Notes

- **This function is enabled when shipped from the factory. (MSW13-6)**

**Auto reconnection can take some time to connect when the host is not an iOS device.**

- Even if the partner device is an iOS device, the conditions below can interfere with the auto reconnection function.

- **When you want Bluetooth communication to cut off after printing is complete**
- **When there are multiple iOS devices printing on the same printer**

Under such conditions, disable auto reconnection.

### **Enabling and disabling auto reconnect**

During self test, press the FEED button 3 times -> Auto reconnect = Valid

During self test, press the FEED button 4 times -> Auto reconnect = Invalid

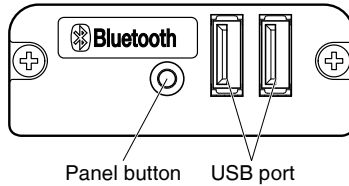
At the end of self test, new setting will be printed as Auto reconnect [Valid] or [Invalid].



**Refer to 4.4 Self Test**

## **Panel button operation**

Use the panel button on the rear of the Bluetooth board to operate this board.



- **BT device search (MSW13-5) settings**

1. Press and hold the panel button to turn on printer power.
2. Press the panel button within one second after starting the printer.

The setting changes in accordance with the number of times you press the panel button.

Two presses: Discovery possible

Three presses: No response

After these operations the printer restarts.

- **Print the interface board state**

After starting the printer, pressing the panel button once prints the interface board state.

```
Bluetooth Board Information

Boot.      Xxxxx }
FW Ver.    Xxxxxx } 1
BT Ver.    Xxxxx }

--Printer state--
Manuf: CITIZEN SYSTEMS
Model: CT-E601
BD Addr: 11:22:33:44:55:66 ← 2
BD Name: CT-E601_XX ← 3
Profile: SPP/iAP2 ← 4

Bluetooth Set info. ← 5
Paired      : Enable
Discoverable: Enable
Reconnect   : Disable

USB Device Info. ← 6
USB1: Barcode scanner
USB2: Customer Display

BOARD STATE: Waiting Connect ← 7
```

Print example

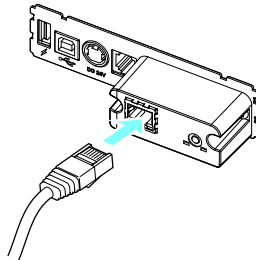
1. Board firmware version
2. Address of equipped Bluetooth module
3. Bluetooth name
4. Response profile in Bluetooth transmission
5. Bluetooth setting state
6. Name of connected USB device (“No connection” is displayed when there is no connection)
7. Board status

## 3.6 Ethernet (LAN)/Wireless LAN Interface Board

This section provides an overview of the interface board. For details on this board, including explanations about the USB host function and XML peripheral device support, refer to the separate manual.

### Connecting the Interface Cable

1. Turn off the power.
2. Confirm the orientation of the interface cable and connect it to the port.



3. Connect the other connector to a hub, router, or similar device.



### CAUTION

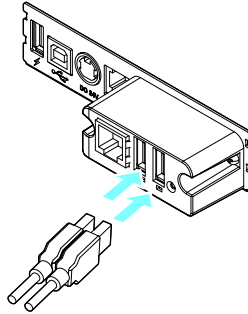
- When disconnecting the cable, always hold the connector.
- Place the interface cable so that people do not trip on it.
- Hold the connector of the LAN cable perpendicular and straight when connecting or disconnecting it. Doing it at an angle may cause the connector to misconnect.

### Notes

Do not connect multiple interfaces at the same time.

## **Connecting a Peripheral Device**

1. Turn off the power.
2. Connect the cable of a peripheral device to this port.

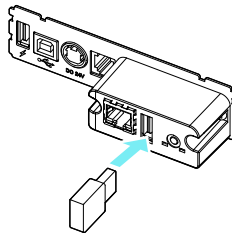


### **Notes**

A peripheral device cannot be controlled if it is connected to the USB power supply port.  
Be sure to connect it to the USB port of the interface board.

## **Connecting the wireless LAN adapter**

1. Turn off the power.
2. Connect the wireless LAN adapter to the connector.



### **Notes**

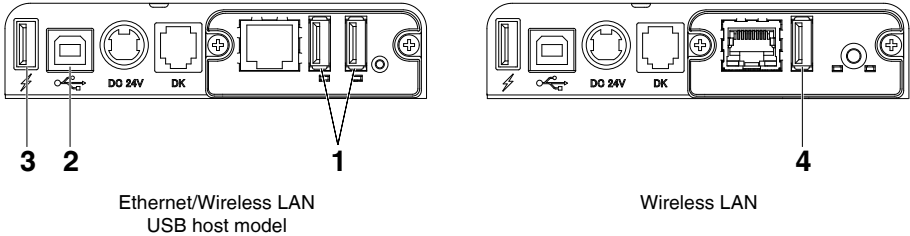
The wireless LAN cannot be used when connected to the USB power supply connector.  
Be sure to connect it to the USB connector on the interface board.



## Connecting a USB Device

The function assigned to each USB port differs.

Connect the USB device to be connected to the correct place in reference to the following figure.



1: For peripheral device control and wireless LAN adapter connection

Connects the peripheral devices and wireless LAN adapter.

You can connect to either the left or right USB port.

Even when a wireless LAN adapter is connected, you can connect peripheral devices to available ports.

2: For host computer communication

Connect with a host computer.

The printer and host computer will communicate via USB.



**Refer to 3.3 USB Interface**

3: For supplying power

Connect a mobile device or other USB device.

Power can be supplied to a connected USB device.

\* This port does not support USB data communication.



**Refer to 3.8 USB Power Supply Port**

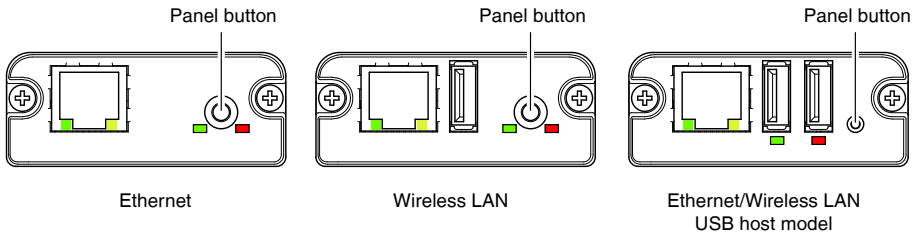
4: For wireless LAN adapter connection

Connect a wireless LAN adapter.

A wireless LAN adapter must be connected in order to perform wireless LAN communication.

## **Panel button operation**

Board operations are performed using the panel button on the rear of the LAN board.



- **Enabling LAN connection**

Turn on the printer. Operation of this board will start about 20 seconds later.

- **Printing LAN setup information**

Press the panel button.

- **Entering setting mode**

Hold down the panel button. A buzzer will sound once to indicate that setting mode has been entered.

- You can use setting mode to read factory settings.
- If no operation is performed for 3 seconds in configuration mode, the mode switches back to normal mode.

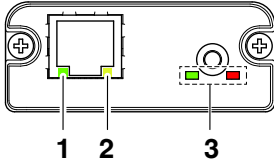
- **Returning to factory settings**

Enter the board setting mode, and then hold down the panel button. This returns the board to its factory settings.

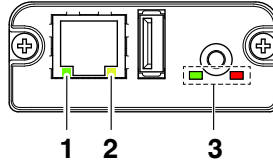
<b>Notes</b>
The board will automatically restart after this operation is complete. After clearing settings, you will need to re-configure network settings.

## LED Functions

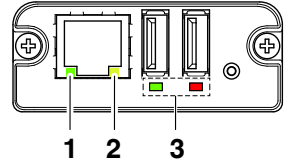
The tables below explain how to interpret LED indications.



Ethernet



Wireless LAN



Ethernet/Wireless LAN  
USB host model

### 1: Wired LAN transmission speed

Transmission speed	LED (green)
100 Mbps	Lit
10 Mbps/Not connected	Unlit

### 2: Wired LAN connection/transmission status

Connection status	LED (yellow)
Connected	Lit
Not connected	Unlit
Data transmission in progress	Flashing

### 3: Wired/Wireless LAN status

Connection status		LED (green)	LED (red)	Description
No printer connection		Unlit	—	Board is not connected with a printer.
Printer connection	No network connection	Lit	Unlit	Board is connected with a printer.
	Connected by wired LAN	Lit	Flashing (1-second cycle)	Getting an IP address from the DHCP server over wired LAN.
	Wired LAN operation	Lit	Lit	Network operation being performed over wired LAN.
	Connected by wireless LAN *	Flashing (2-second cycle)	Flashing (1-second cycle)	Connecting to an access point or getting an IP address from the DHCP server over wireless LAN.
	Wireless LAN operation *	Flashing (2-second cycle)	Lit	Network operation being performed over wireless LAN.
Resource error		Alternate flashing (1-second cycle)		Board is unable to operate normally.
System error		Alternate flashing (0.2-second cycle)		Board is unable to operate normally.

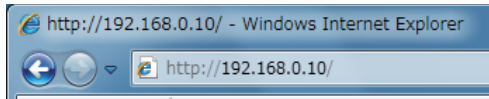
\* Only when using wireless LAN

## Web Manager

The interface board has a Web Manager function that can be used to connect to the board with a web browser and change board settings.

### Starting up Web Manager

1. Start up a web browser.
2. In the address field, input the board's IP address and then press [Enter].



### HOME Screen

This is the Web manager home screen.

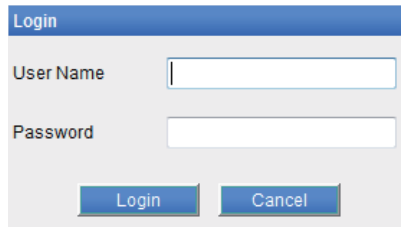
The following screen is an example for a wireless LAN.



Here, press the [CONFIG] button.

## CONFIG Screen

This will display the Login dialog box shown below. Log in as an administrator and then configure interface board settings.

A screenshot of a 'Login' dialog box. The dialog has a blue title bar with the word 'Login' in white. Below the title bar, there are two text input fields. The first is labeled 'User Name' and the second is labeled 'Password'. At the bottom of the dialog, there are two buttons: 'Login' and 'Cancel', both with blue backgrounds and white text.

- User Name  
Input a board administrator user name. (Initial setting: admin)
- Password  
Input the administrator user password. (Initial setting: admin)
- [Login] button  
After inputting an administrator user name and password, click the [Login] button.  
This displays the setting screen.  
For details about settings, refer to the separate manual.

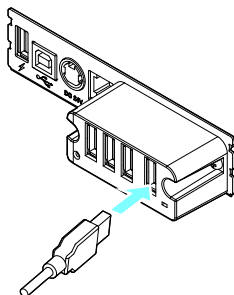
## 3.7 Lightning USB host interface board

In addition to printer control via USB (Lightning) communication, Lightning USB host interfaces can control peripheral devices connected via a USB port.

For Apple products with a USB Type-C connector, such as the iPad Pro, it is possible to use the same function by using USB Type-A - Type-C cable.

### Connecting the Interface Cable

1. Turn off the power.
2. Confirm the orientation of the interface cable and connect it to the port.



3. Connect the other connector to the interface connector of an Apple device.



### CAUTION

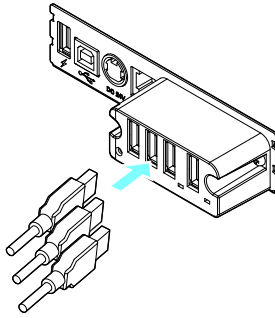
- When disconnecting the cable, always hold the connector.
- Place the interface cable so that people do not trip on it.
- Hold the connector of the LAN cable perpendicular and straight when connecting or disconnecting it. Doing it at an angle may cause the connector to misconnect.

### Notes

Do not connect multiple interfaces at the same time.

## Connecting a Peripheral Device

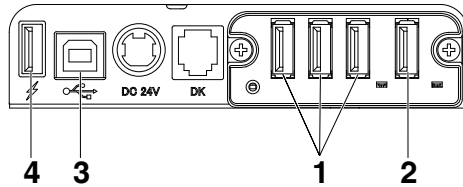
1. Turn off the power.
2. Connect the cable of a peripheral device to this port.



### **Notes**

A peripheral device cannot be controlled if it is connected to the USB power supply port.  
Be sure to connect it to the USB port of the interface board.

## Connecting a USB Device



1: For peripheral device control

Connect a peripheral device.

The connected peripheral device can be controlled.

2: For Apple device connection

Connect with an Apple device.

The printer and Apple device will communicate via the Lightning cable.

Fast charging of the Apple device can also be carried out.

3: For host computer communication

Connect with a host computer.

The printer and host computer will communicate via USB.



**Refer to 3.3 USB Interface**

4: For supplying power

Connect a mobile device or other USB device.

Power can be supplied to a connected USB device.

\* This port does not support USB data communication.

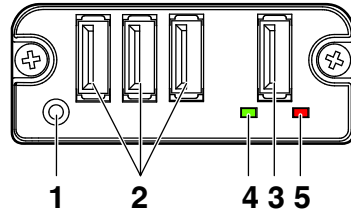
The Lightning model does not have a power supply function.



**Refer to 3.8 USB Power Supply Port**



## Names of parts



1: Panel button

Control this interface board.

2: USB port for peripheral device connection (3 ports)

Connect a peripheral device.

3: USB port for Apple device connection (1 port)

Connect an Apple device.

Data can be transmitted even during fast charging of Apple devices.

4: Green LED

This LED indicates the communication status with the printer.

5: Red LED

This LED indicates the connection status with an Apple device.

### **Notes**

- Only connect peripheral devices specified by our company to the USB port.
- Only plug in/remove peripheral devices when the printer power is turned off.
- Operation of this board will start about 30 seconds after the power is turned on.
- Use an MFi certified cable for connection with an Apple device.

## Panel button operation

Use the panel button on the rear of the Lightning board to operate this board.

### 1: Print the interface board state

After starting the printer, pressing the panel button once prints the interface board state.

```
I/F Board
Information

System Information
Board Name : IF2-LT01
Boot Version : BOT-000.000
Firm Version : FB00-0000 (2020/05/27)

Printer Status
Manufacture : CITIZEN SYSTEMS
Model : CT-E601
Serial Number : 987654321012

Accessory Identification
Name : CT-E601
Firmware Ver. : 1.0.0
Hardware Ver. : 1.0.0

Peripheral Status
Stream #1
  Status : Ready
  Type : ttyUSB (V:067b, P:2303)
  Specify : Enable (V:067b, P:2303)
Stream #2
  Status : Ready
  Type : ttyACM (V:24ea, P:0187)
  Specify : Disable
Stream #3
  Status : Offline
  Type : ttyUSB
  Specify : Disable
```

1. System information of this interface board
2. Information of the printer connected to this interface board
3. Identification information of this interface board
4. Peripheral device connection information

## **LED Functions**

The tables below explain how to interpret LED indications.

### **1: Communication status with the printer**

<b>Communicating</b>	<b>LED (green)</b>
Not connected	Unlit
Connected	Lit
Communication in progress	Flashing

### **2: Connection status with an Apple device**

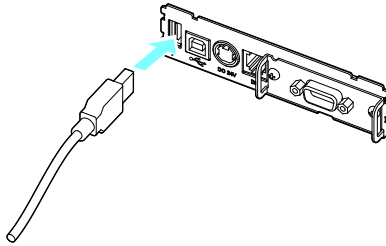
<b>Communicating</b>	<b>LED (red)</b>
Not connected	Unlit
Connected	Lit
Communication failed	Flashing (1-second cycle)
Interface board error	Flashing (0.2-second cycle)

## 3.8 USB Power Supply Port

Power (max. 2.1 A) can be supplied to a mobile device or other USB device by connecting the cable of the USB device to the power supply port.

### Connecting Mobile Device or Other Device

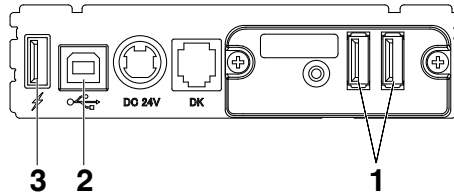
1. Turn off the power.
2. Connect the cable of a mobile device or other device to the USB power supply port.



## Connecting a USB Device

The function assigned to each USB port differs.

Connect the USB device to be connected to the correct place in reference to the following figure.



1: For peripheral device control

Connect a peripheral device.

The connected peripheral device can be controlled.

2: For host computer communication

Connect with a host computer.

The printer and host computer will communicate via USB.



**Refer to 3.3 USB Interface**

3: For supplying power

Connect a mobile device or other USB device.

Power can be supplied to a connected USB device.

\* This port does not support USB data communication.



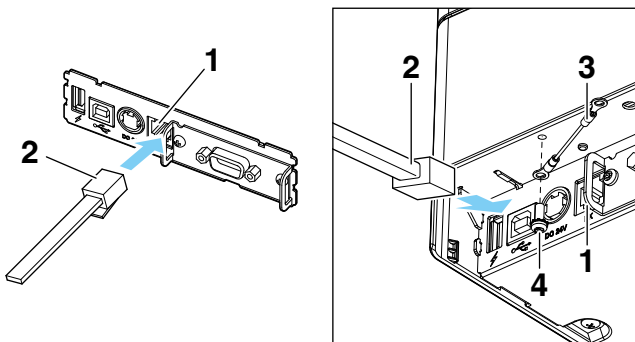
**Refer to 3.8 USB Power Supply Port**

### Notes

- This port does not support USB data communication.
- Power may not be able to be supplied depending on the USB device to be used.  
In this case, use the device's dedicated AC adapter or battery charger.
- A USB cable for power supply is not included with this product.  
Use a commercially available USB cable or the one that comes with the USB device.
- The Lightning model does not have a power supply function.

## 3.9 Connecting the Cash Drawer

1. Turn off the power.
2. Confirm the orientation of the cash drawer kick-out cable connector and connect it to the cash drawer kick-out connector at the back of the printer.
3. Remove the screw for the ground wire.
4. Screw the cash drawer's ground wire to the body of the printer.



1. Cash drawer kick-out connector
2. Cash drawer kick-out cable connector
3. Ground wire
4. Screw for ground wire



### CAUTION

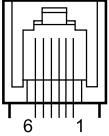
- Connect only the cash drawer kick-out cable to this connector. (Do not connect a telephone line.)
- Hold the connector of the drawer kick cable perpendicular and straight when connecting or disconnecting it. Doing it at an angle may cause the connector to misconnect.

### Notes

Signals cannot be output from the cash drawer kick-out connector while printing.

(1) Connector pin configuration

No.	Signal	Function
1	FG	Frame ground
2	DRAWER1	Cash drawer 1 drive signal
3	DRSW	Cash drawer switch input
4	VDR	Cash drawer drive power supply
5	DRAWER2	Cash drawer 2 drive signal
6	GND	Signal ground (common ground on circuits)



\* Applicable connector: RJ-11

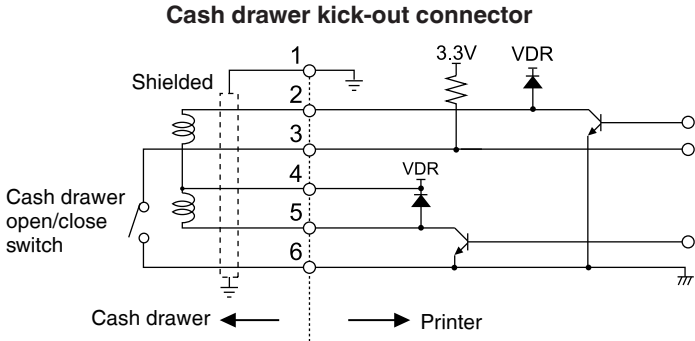
(2) Electric characteristics

- 1) Drive voltage: 24 VDC
- 2) Drive current: Approx. 1 A max. (not to exceed 510 ms.)
- 3) DRSW signal: Signal levels: "L" = 0 to 0.5 V, "H" = 3 to 5 V

(3) DRSW signal

Status can be tested by commands.

(4) Drive circuit

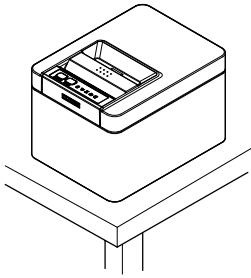


 **CAUTION**

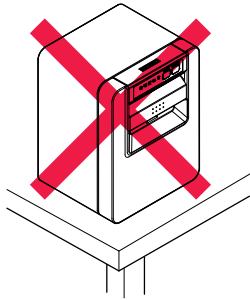
- Cash drawers 1 and 2 cannot be operated at the same time.
- The solenoid used for the cash drawer should be 24 Ω or more. Do not allow the electric current to exceed 1 A. Excessive current could damage or burn out the circuits.

## 3.10 Precautions for Installing the Printer

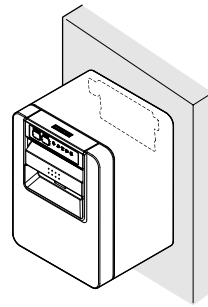
This product can be used horizontally or wall-mounted. Cannot be used vertically.



Horizontal position



Vertical position



Wall-mounted



### CAUTION

**Do not use the printer under the following conditions.**

- Avoid locations subject to vibration or instability.
- Locations that are very dirty or dusty.
- Avoid locations where the printer is not level.
  - ◆ **The printer may fall and cause an injury.**
  - ◆ **The quality of printing may deteriorate.**
- Oriented other than as specified.
  - ◆ **Malfunction, failure, or electric shock may result.**

#### **Precautions for horizontal installations**

- Do not use the full cut setting. Doing so could cause a cutter jam.

#### **Precautions for wall installations**

- Adjust the paper near-end sensor.

### **For wall mounting**

If the printer is to be wall-mounted, ask a service person to install it.

For more information, please refer to the separate Wall Mount Kit manual.



## 3.11 Adjusting the Paper Near-end Sensor

Change the settings of the paper near-end sensor to set the position at which the near-end of the paper is detected.

1. Gently press the paper near-end sensor with your finger.
2. Keep the paper near-end sensor pressed as you move it left and right. The sensor positions are shown below for the various diameters of the paper roll used.

(Unit: mm)

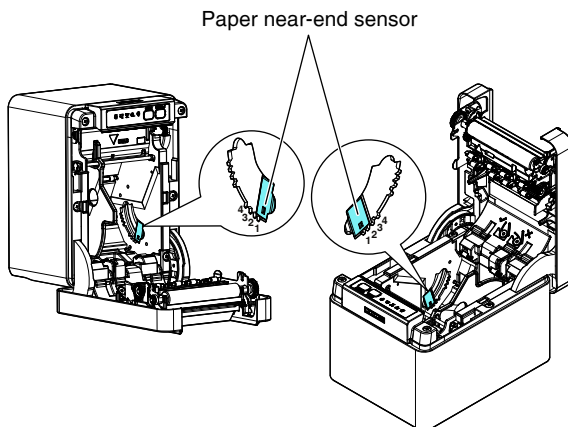
Sensor position	Paper roll outer diameter when near-end is detected	Exterior/ interior diameter of core of paper roll used
1*	Approximately $\phi 22.0$	$\phi 18/\phi 12$
2	Approximately $\phi 25.0$	$\phi 18/\phi 12$
3	Approximately $\phi 29.0$	$\phi 18/\phi 12$
4	Approximately $\phi 34.0$	$\phi 18/\phi 12$

Notes:

- \* Sensor position when shipped from the factory. However, factory settings differ depending on the destination market.

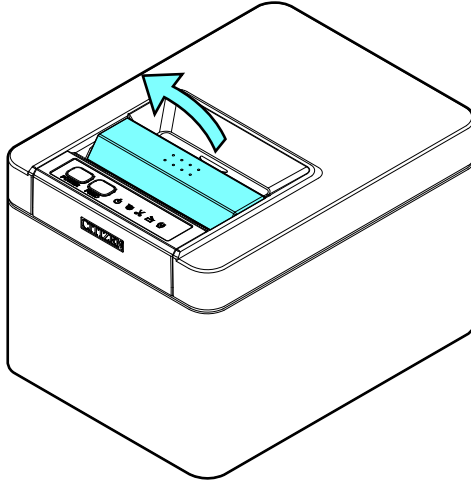
### Notes

The diameter of the roll of paper that is detected is an estimate. Some variations may occur depending on the paper.



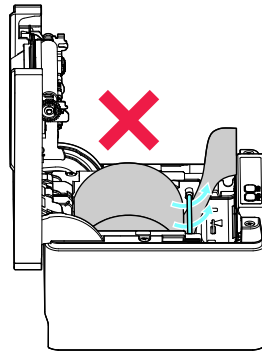
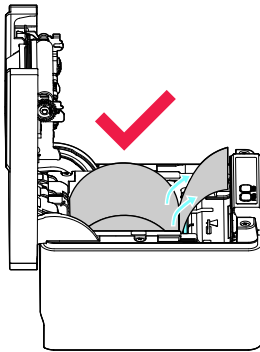
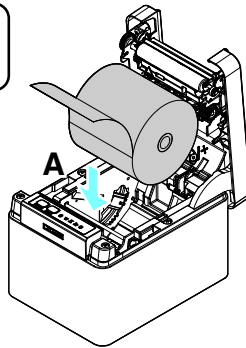
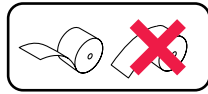
## 3.12 Loading Paper

1. Turn on the power.
2. Pull the cover open lever toward you to open the paper cover.

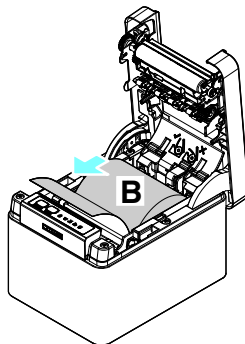


3. Load the paper roll so that the printable side of the paper is facing up, as shown by arrow A.

Set the roll paper so that it passes over the paper anti-curling damper.



4. Pull a few centimeters of paper straight out in the direction of arrow B.



5. Close the paper cover until you hear a click. Paper is fed and cut automatically (by the factory setting).



## CAUTION

- When opening the paper cover, be careful not to touch the entrance of the blade of the auto cutter.
- The print head is very hot immediately after printing. Be careful not to touch it with your hands.
- Do not touch the print head with bare hands or metal objects.
- When closing the paper cover, be careful not to pinch your fingers.
- Be careful of paper cuts while loading the paper.

### Notes

- Always use the specified types of paper rolls.
- Confirm that the paper roll is set correctly.
- If the paper is skewed and not coming straight out of the paper cover, open it and straighten the paper.
- Always pull a few centimeters of paper straight out of the printer if you open the paper cover while paper is loaded.
- Press on the center of the paper cover to close it securely.  
If only one of them is closed, uneven printing may occur.



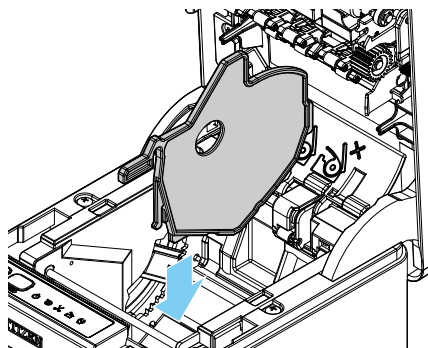
**Refer to PRECAUTIONS IN HANDLING THE PRINTER**

## 3.13 58-mm Width Roll Paper Partition

1. Turn off the power.
2. Pull the cover open lever toward you to open the paper cover.
3. Mount the supplied partition to the groove. When using the 80-mm width roll paper, remove the partition.
4. Change the print area width while referring to “Manual Setting of Memory Switches” in Section 5.3.



Refer to 5.3 Manual Setting of Memory Switches



### CAUTION

- When opening the paper cover, be careful not to touch the entrance of the blade of the auto cutter.
- The print head is very hot immediately after printing. Be careful not to touch it with your hands.
- Do not touch the print head with bare hands or metal objects.

### Notes

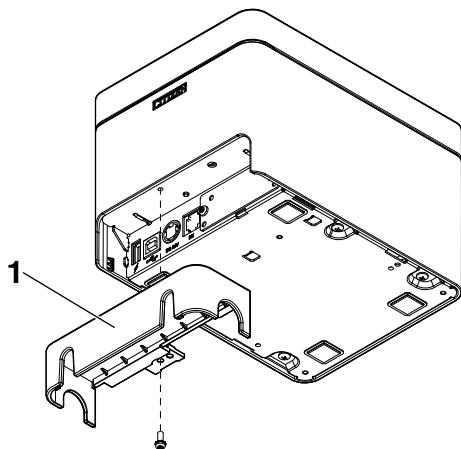
- When using 58-mm width media, be sure to mount the partition.
- When using 58-mm wide paper, use the printer as a dedicated printer for that paper size. The printer may not correctly feed paper or print if it is switched to 80-mm wide paper after using 58-mm wide paper.



Refer to PRECAUTIONS IN HANDLING THE PRINTER

## 3.14 Mounting the Cable Cover

- Align the claws of the cable cover with the grooves in the printer main unit and then insert them.



1. Cable cover

## **3.15 Precautions for Creating Applications and Practical Operations**

If printing is done immediately after the paper is partially cut and torn off, the top of the next print out may be distorted.

For printing after cutting, we recommend to print with the first line empty.

If you are using a serial interface that has a slow data transmission speed, streaks may appear in the printouts when you are printing graphics or gradated text, which require large amounts of data.

USB interfaces may be susceptible to the effects of electromagnetic interference from the host or environment.

If this is the case, try using a cable with ferrite cores on both ends, which are very effective at eliminating EMI.

## **3.16 Download Site for Various Electronic Files**

You can view support information and download the latest documents, drivers, utilities, etc. from the following site.

<https://www.citizen-systems.co.jp/en/printer/download/>

# 4. MAINTENANCE AND TROUBLE-SHOOTING

## 4.1 Periodic Cleaning

### How to care for the printer's exterior surface

After turning off the printer, wear gloves and use a soft cloth or an absorbent cotton to wipe it off.

At this time, be sure to unplug the AC power cord from the outlet.



### **CAUTION**

- Prolonged use of cleaning agents may cause whitening of the outer case.
- When cleaning with an approved chemicals, test it beforehand and always refer the manufacturer's recommended procedure.
- Do not clean with Ethanol where fire is present, as Ethanol is extremely flammable.
- Utilize a soft cloth when spreading chemicals onto printer. Do not spray or pour directly onto printer.
- Wipe off the disinfectant with a soft damp cloth after cleaning procedure. No water droplets should remain on the printer.
- Do not soak or wipe the inside of the printer nor allow disinfectant gets inside. It may cause a product failure.

### How to clean the print head and platen

If the print head, platen, or other parts of the printer are dirty, the printer may not print cleanly or it could cause a malfunction. It is recommended that you clean the unit periodically (approximately two to three months) using the following procedure.

#### **1. Turn off the power.**

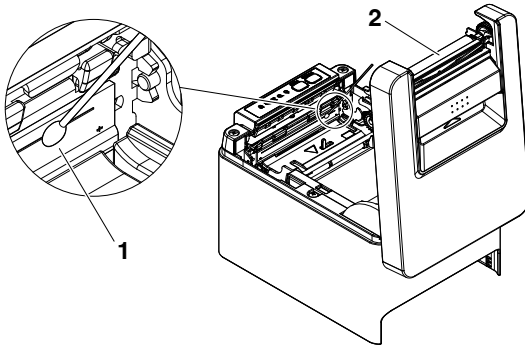
At this time, be sure to unplug the AC power cord from the outlet.

#### **2. Pull the cover open lever toward you to open the paper cover.**

#### **3. Wait a few minutes until the print head cools.**

#### **4. Use a cotton swab dampened with ethyl alcohol to wipe off any dirt and dust that is on the print head and platen.**





- 1. Print head
- 2. Platen



## CAUTION

- When opening the paper cover, be careful not to touch the entrance of the blade of the auto cutter.
- The print head is very hot immediately after printing. Be careful not to touch it with your hands.
- Do not touch the print head with bare hands or metal objects.



**Refer to PRECAUTIONS IN HANDLING THE PRINTER**

## 4.2 Clearing a Cutter Error

If the auto cutter stops during the auto cutter operation with the blade of the auto cutter in the open position due to foreign matter entering, paper jamming, etc., the CUTTER LED flashes. When a cutter error occurs, resolve the cutter error with the following procedure.

1. Turn on the power.
2. Pull the cover open lever toward you to open the paper cover.
3. Remove any jammed paper including any scraps of paper. (Remove the paper roll that is loaded in the holder also.)
4. Reload the paper roll and close the paper cover.



### CAUTION

- When opening the paper cover, be careful not to touch the entrance of the blade of the auto cutter.
- The print head is very hot immediately after printing. Be careful not to touch it with your hands.
- Do not touch the print head with bare hands or metal objects.



Refer to **PRECAUTIONS IN HANDLING THE PRINTER**

## 4.3 Canceling print stop caused by a paper jam

The paper jamming sensor detects a paper jam at the paper exit and stops printing. Use the following method to release a print stop caused by a paper jam.

1. Remove any paper that is jammed in the paper exit.
2. If it cannot be removed, open the paper cover and remove the paper.
3. Load paper, close the paper cover, and make sure that the PAPER LED is off.

## 4.4 Self Test

You can use self test to check for printer problems.

### Performing a self test operation

1. While paper is loaded, press and hold the FEED button and turn on the power.
2. Hold the FEED button down for about one second until the buzzer sounds. Release the button to start self test. The printer will print its model name, version, memory switch settings, and built-in fonts.

```
CT-E601 ← 1
FA00-XXXX
20XX-XX-XX
PROG : BOT-XXX.XXX
FPGA : RBF-XXX.XXX
FONT : ANK-XXX.XXX
FONT : ANK-XXX.XXX
CONF : J3R-3R
SUM:XXXX-XXXX
Interface Type
Serial
Serial Interface
Baud rate :9600
Data bit :8 bits
Parity :None
Handshaking :DTR/DSR
Buffer Size
4K Bytes
```

```
Memory switches
Memory SW( 1) 00000000
Power On Info (Valid
Buffer Size (4K bytes
Busy Condition (Full/Err
Receive Error (Print ?
CR Mode (Ignored
DSR Signal (Invalid
Init Signal (Invalid
Memory SW( 2) 00001011
Auto Cutter (Valid
Spool Print (Invalid
Full Col Print (WaitData
Resume aft PE (Next
PNE Sensor (Valid
Memory SW( 3) 00000010
Resume Ctrr Err (Valid
PE signal by PNE (Invalid
CBM1000 Mode (Invalid
Resume Open Err (Close
Memory SW( 4) 10000100
Feed&Cut at TOF (Valid
Partial Only (Valid
Memory SW( 5) 00000100
Buzzer (Valid
Line Pitch (1/360
USB Mode (Printer Class
```

- 1: Printer type name
- 2: Firmware version
- 3: Interface settings
- 4: Buffer size
- 5: Memory switch settings

## 4.5 Hexadecimal Dump Printing

Print received data in hexadecimal. If problems such as missing or duplicated data occur, this function allows you to check whether or not the printer is receiving data correctly.

### How to do hexadecimal dump printing

1. Load paper.
2. While the paper cover is open, hold down the FEED button as you turn on printing power. Keep FEED button pressing until the POWER LED starts to flash, and then close the paper cover.
3. The printer will print “HEX dump print mode” followed by the received data printed in hexadecimal numbers and some characters.

### How to stop hexadecimal dump printing

Do one of the following to stop printing.

- Press the FEED button consecutively three times
- Turn off the power
- Receive a reset command from an interface

#### Notes

- The printer prints “.” if there is no character corresponding to the data.
- None of the commands function during hexadecimal dump printing.
- If print data does not cover a complete line, press the FEED button to advance the paper.

Print example

HEX dump print mode

```
61 62 63 64 65 66 67 0A 0D 0D 0D 0D abcdefg.....  
0D 0D 0D                                     .....
```

## 4.6 Error Indications

- Paper end, paper near-end

The end of the roll of paper is detected at two stages, paper near-end and paperend. When paper near-end is detected, the PAPER LED flashes. Prepare a new paper roll. When paper end is detected, the PAPER LED lights and the buzzer sounds. Load a new paper roll. Memory switch settings can be used to disable the buzzer.

- Cover Open

If the cover is opened, the COVER LED lights and a buzzer sounds. The buzzer may not sound depending on the memory switch setting. Do not open the cover during printing. If the cover is accidentally opened, the COVER LED flashes. Check the paper, pull it straight out of the printer by a couple of centimeters, and then close the cover. Printing restarts. A command must be sent to restart printing depending on the memory switch setting.

- Cutter error

If the auto cutter cannot move because of a paper jam or something else, the CUTTER LED flashes and the buzzer sounds. Remove the cause of the trouble and press the FEED button. If the auto cutter still does not move and the paper cover cannot be opened, refer to “Clearing a Cutter Error.”



**Refer to 4.2 Clearing a Cutter Error**

- Print stop due to paper jam

When a paper jam occurs at the paper exit, the PAPER LED blinks and printing stops.

Remove the jammed paper and load the paper.


















**Refer to 4.3 Canceling print stop caused by a paper jam**

- Print head hot

When you print dense characters, dark images, or for an extended time in a hot environment, the print head temperature increases. If the print head exceeds a specified temperature, the printer stops printing and waits for the print head to cool. When this happens, the PAPER LED, CUTTER LED, and COVER LED flash. Printing resumes automatically when the print head cools.

The status display for various messages is shown below.

Status	POWER LED	PAPER LED	CUTTER LED	COVER LED	SERVICE LED	Buzzer*1
Paper near-end	Lit		Unlit	Unlit	Unlit	No

Status	POWER LED	PAPER LED	CUTTER LED	COVER LED	SERVICE LED	Buzzer*1
Paper-end	Lit	Lit	Unlit	Unlit	Unlit	Yes*2
Cover open*3	Lit	Unlit	Unlit	Lit	Unlit	Yes*2
Cover open II*4	Lit	Unlit	Unlit		Unlit	Yes*2
Cutter locked	Lit	Unlit		Unlit	Unlit	Yes
Print stop due to paper jam	Lit		Unlit	Unlit	Unlit	No
Low-voltage error	Lit				Unlit	No
High-voltage error	Lit	Unlit	Unlit	Unlit		No
System error	Lit	Unlit	Unlit	Unlit		No
Memory error	Unlit	Unlit	Unlit	Unlit		No
Print head hot	Lit				Unlit	No
Wait for Macro Execution		Unlit	Unlit	Unlit	Unlit	No
Data reception		Unlit	Unlit	Unlit	Unlit	No

Notes:

- \*1 Buzzer sounds when MSW5-1 (buzzer setting) is set to ON.
- \*2 MSW10-5 (buzzer event) can be configured to disable the buzzer.
- \*3 Indicated when a cover is opened during standby.
- \*4 Indicated when a cover is opened during printing.

## 4.7 Paper Jams

Take care to avoid obstruction of the paper outlet and paper jamming around the outlet during printing.

If paper cannot get out of the printer, it can roll up on the platen inside the printer and cause an error.

If the paper wraps around the platen, open the paper cover and carefully pull the paper out.

## 4.8 Precautions for Performing Printing for Which Printing Speed Changes

When printing for which the printing speed changes is performed, white lines may be printed or paper may not be fed depending on the printing conditions. To prevent these problems, change the following memory switch settings.

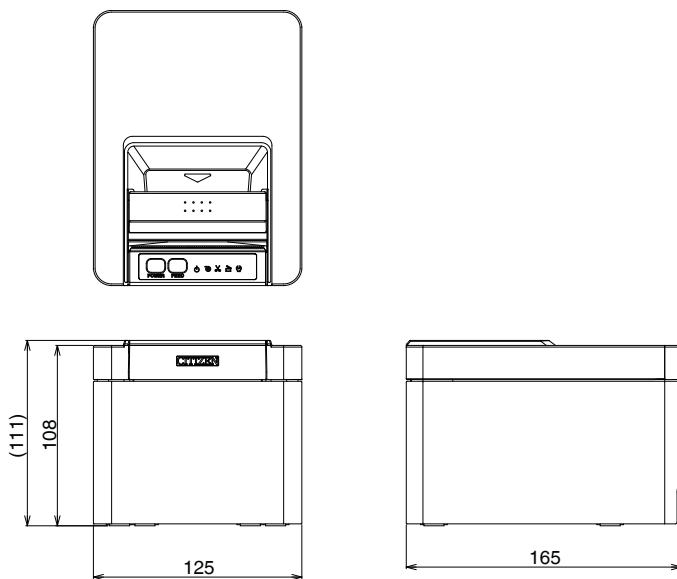
1. **Enable MSW2-3 (buffering).**
2. **Increase the baud rate of MSW7-1 (serial baud rate).**
3. **Change MSW10-2 (print speed) to a lower level.**

Notes
Depending on the serial interface transmission speed, ambient temperature, print data duty, and other factors, changing the above settings may not eliminate the problems.

## 5. OTHER

### 5.1 External Views and Dimensions

(Unit: mm)



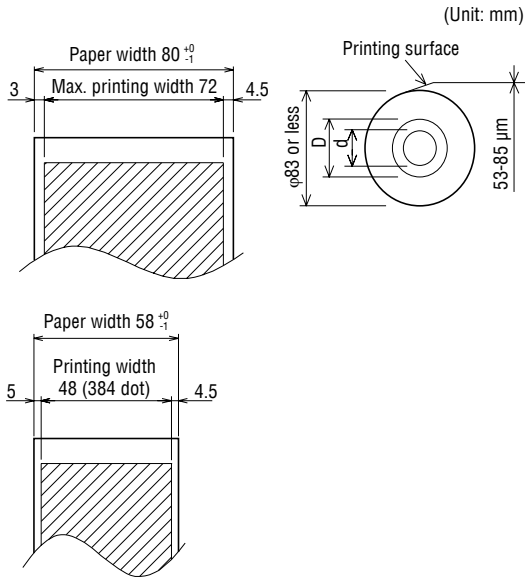


## 5.2 Printing Paper

Use the paper shown in the following table or paper of the same quality.

Paper type	Product name
Recommended thermal roll paper	Nippon Paper TP50KR-2Y, TP50KJ-R, TL69KS-LH, TF50KS-E2D
	Oji Paper PD150R, PD160R, PD160R-63
	Mitsubishi Paper Mills HP220AB-1, P220AB
	Koehler KT48-FA

(Unit: mm)



Paper thickness ( $\mu\text{m}$ )	53 to 85
Core inner diameter d (mm)	$\phi 12$
Core outer diameter D (mm)	$\phi 18$

## Notes

### Use thermal paper that is wound as follows:

- Not creased and fits tight to the core.
- Not folded.
- Not glued to the core.
- Rolled with the printable side out.

## 5.3 Manual Setting of Memory Switches

Memory switches are used to set various printer settings. Memory switches can be set manually, or by utilities or commands. This section explains how to perform manual settings.

For information on how to set the memory switches using commands, please refer to the Command Reference.

### Quick setting mode

The settings for the memory switches for a replacement printer's manufacturer, model, paper width, and character spacing can be set at the same time to the optimum settings.

Do the settings while confirming the selected items on the printout.

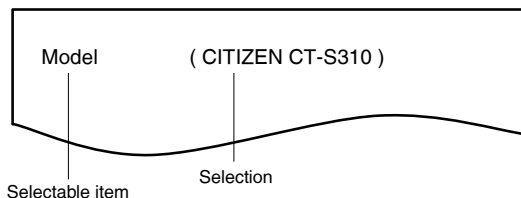
**1. Load paper.**

**2. While the paper cover is open, press and hold the FEED button and turn on the power.**

**3. Press the FEED button three and close the paper cover.**

The printer enters memory switch quick setting mode.

The selectable item "Model" and the selection are printed.



**4. Press the FEED button.**

A selection is printed in order through the cycle each time the FEED button is pressed.

Press the FEED button until the selection you want is printed.

**5. Press the FEED button for at least two seconds.**

The selection is set.

If there is another selectable item, it and the selection are printed.

**6. Repeat steps 4 and 5 to select and set the printer's model, paper width, character spacing (EPSON T88 only).**

When all the items are set, "Save To Memory" is printed.

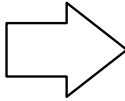
**7. Press the FEED button for at least two seconds.**

The changed memory switch settings are saved and a list of them is printed.

The printer exits quick setting mode when printing is finished.

**Selected item**

Manufacturer	Paper width	Character space
CITIZEN CT-S310	58 mm	-
	80 mm	-
EPSON T88	58 mm	0 dot
		1 dot
	80 mm	0 dot
		1 dot
EPSON 203dpi	80 mm	-
	58 mm	-



**Automatic memory switch settings**

MSW2-4 Full Col Print	MSW3-7 CBM1000 Mode	MSW8-1 Print Width	MSW6-2 Character Space
WaitData	Invalid	384 dots	-
WaitData	Invalid	576 dots	-
WaitData	Invalid	360 dots	0 dot
WaitData	Invalid	390 dots	1 dot
WaitData	Invalid	512 dots	0 dot
WaitData	Invalid	546 dots	1 dot
WaitData	Invalid	576 dots	0 dot
WaitData	Invalid	420 dots	-

## Individual setting mode

Set the memory switches individually.

Do the settings while confirming the memory switch function and settings on the print-out.

### 1. Load paper.

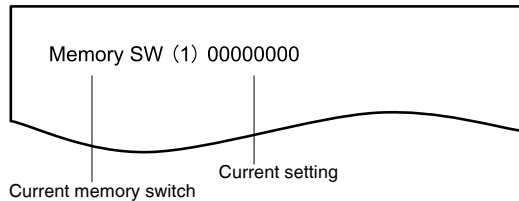
### 2. While the paper cover is open, press and hold the FEED button and turn on the power.

### 3. Press the FEED button twice and close the paper cover.

The printer enters the mode for setting memory switches individually.

The printer prints "Memory SW (1)" and the current setting, 0 (off) or 1 (on).

(The current settings for memory switches 7 to 13 are not printed.)



### 4. Press the FEED button.

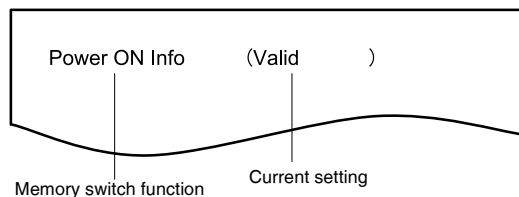
Each press of the FEED button cycles through the list of memory switches in the following sequence: "Memory SW (1)" > "Memory SW (2)" > ... "Memory SW (11)" or "Memory SW (13)" > "Save To Memory" > "Memory SW (1)".

Press the FEED button until the number for the memory switch you want to change is printed.

### 5. Press the FEED button for at least two seconds.

A setting for the memory switch is printed, through the cycle, each time the FEED button is pressed for at least two seconds.

Press the FEED button for at least two seconds to cycle through the list until the function of the memory switch you want to change is printed.



**6. Press the FEED button.**

A setting is printed each time the FEED button is pressed in order through the cycle.  
When the current settings are printed, the COVER LED lights.  
Press the FEED button until the setting you want is printed.

**7. Press the FEED button for at least two seconds.**

The selected settings are set.  
The next memory switch function and settings are printed.

**8. Repeat steps 5 to 7 to change different functions for the current memory switch number.**

**9. Open the paper cover and close it.**

The changed memory switch settings are printed.

**10. Repeat steps 4 to 9 to change functions for a different memory switch number.**

**11. Press the FEED button until “Save To Memory” is printed.**

**12. Press the FEED button for at least two seconds.**

The changed memory switch settings are saved and a list of them is printed.  
The printer exits individual setting mode when printing is finished.

**Memory switch initialization**

Set all the memory switches to the factory settings.

**1. Do steps 1 through 3 of the procedure to enter individual setting mode.**

**2. Press the FEED button until “Save To Memory” is printed.**

**3. Open the paper cover.**

**4. Press the FEED button for at least two seconds.**

All memory switches change to the factory settings.

**5. Close the paper cover.**

The function of each memory switch is shown in the following table. (Shaded values are factory settings.)

Switch no.	Function	OFF	ON
MSW1-1	Power ON Info	Valid	Not Send
MSW1-2	Buffer Size	4K bytes	45 bytes
MSW1-3	Busy Condition	Full/Err	Full
MSW1-4	Receive Error	Print“?”	No Print
MSW1-5	CR Mode	Ignored	LF

Switch no.	Function	OFF	ON
MSW1-6	Reserved	Fixed	—
MSW1-7	DSR Signal	Invalid	Valid
MSW1-8	INIT Signal	Invalid	Valid
MSW2-1	Reserved	—	Fixed
MSW2-2	Auto Cutter	Invalid	Valid
MSW2-3	Spool Print	Invalid	Valid
MSW2-4	Full Col Print	LineFeed	WaitData
MSW2-5	Resume aft PE	Next	Top
MSW2-6	Reserved	Fixed	—
MSW2-7	Reserved	Fixed	—
MSW2-8	PNE Sensor	Valid	Invalid
MSW3-1	Resume Ctrr Err	Valid	Invalid
MSW3-2	PE signal by PNE	Valid	Invalid
MSW3-3	Reserved	Fixed	—
MSW3-4	Reserved	Fixed	—
MSW3-5	Reserved	Fixed	—
MSW3-6	Reserved	Fixed	—
MSW3-7	CBM1000 Mode	Invalid	Valid
MSW3-8	Resume Open Err	Close	Command
MSW4-1	Reserved	Fixed	—
MSW4-2	Reserved	Fixed	—
MSW4-3	Feed&Cut at TOF	Invalid	Valid
MSW4-4	Reserved	Fixed	—
MSW4-5	Reserved	Fixed	—
MSW4-6	Reserved	Fixed	—
MSW4-7	Reserved	Fixed	—
MSW4-8	Partial Only	Invalid	Valid
MSW5-1	Buzzer	Valid	Invalid
MSW5-2	Line Pitch	1/360	1/406
MSW5-3	USB Mode	Virtual COM	Printer Class
MSW5-4	Reserved	Fixed	—
MSW5-5	Reserved	Fixed	—
MSW5-6	Reserved	Fixed	—
MSW5-7	Reserved	Fixed	—
MSW5-8	Reserved	Fixed	—
MSW6-1	Act. For Driver	Invalid	Valid
MSW6-2	Character Space	Invalid	Valid
MSW6-3	USB Power Save	Invalid	Valid
MSW6-4	Reserved	Fixed	—
MSW6-5	Reserved	Fixed	—
MSW6-6	Reserved	Fixed	—
MSW6-7	USB Power@PW-OFF	Invalid	Valid
MSW6-8	Power ON trigger	Power switch ON	AC power input

Switch no.	Function	Initial setting	Setting value
MSW7-1	Baud Rate	9600 bps	1200 bps, 2400 bps, 4800 bps, 9600 bps, 19200 bps, 38400 bps, 57600 bps, 115200 bps
MSW7-2	Data Length	8bits	7bits, 8bits
MSW7-3	Stop Bit	1bit	1bit, 2bits
MSW7-4	Parity	NONE	NONE, ODD, EVEN
MSW7-5	Flow Control	DTR/DSR	DTR/DSR, XON/XOFF
MSW7-6	DMA Control	Valid	Valid, Invalid
MSW7-7	VCom Protocol	PC Setting	PC Setting, DTR/DSR, XON/XOFF
MSW8-1	Print Width	576 dots	576 dots, 546 dots, 512 dots, 420 dots, 390 dots, 384 dots, 360 dots
MSW8-3	Top Margin	12 mm	2 mm, 3 mm, 4 mm, 5 mm, 6 mm, 7 mm, 8 mm, 9 mm, 10 mm, 11 mm, 12 mm
MSW8-4	Line Gap Reduce	Invalid	Invalid, 3/4, 2/3, 1/2, 1/3, 1/4, 1/5, ALL
MSW8-5	Reduced Char V/H	100% / 100%	100% / 100%, 75% / 100%, 50% / 100%, 100% / 75%, 75% / 75%, 50% / 75%
MSW8-6	Auto Side Shift	Invalid	Invalid, 1 dot, 2 dots, 3 dots, 4 dots, 5 dots, 6 dots, 7 dots
MSW9-1	Code Page	PC437	PC 437, Katakana, PC 850, PC 858, PC 860, PC 863, PC 865, PC 852, PC 866, PC 857, WPC1252, Space page, PC 864, ThaiCode11 1Pass, ThaiCode11 3Pass, ThaiCode18 1Pass, ThaiCode18 3Pass, TCVN-3, WPC1258
MSW9-2	Int'Char Set	U.S.A	USA, France, Germany, England, Denmark, Sweden, Italy, Spain, Japan, Norway, Denmark 2, Spain 2, Latin America, Korea, Croatia, China, Vietnam
MSW9-4	Kanji code	Invalid	Disabled, JIS (Japan), SJIS: CP932 (Japan), SJIS: X0213 (Japan), GB18030 (China), KS Hangul (South Korea), EUC Hangul (South Korea), BIG5-HKSCS
MSW10-1	Print Density	100 %	70 %, 75 %, 80 %, 85 %, 90 %, 95 %, 100 %, 105 %, 110 %, 115 %, 120 %, 125 %, 130 %, 135 %, 140 %
MSW10-2	Print Speed	Level 9	Level 1, Level 2, Level 3, Level 4, Level 5, Level 6, Level 7, Level 8, Level 9
MSW10-4	Old Command	Invalid	Invalid, CBM1, CBM2
MSW10-5	Buzzer Event	Not By C. Open	All Event/Error, Not by C.Open, Not by C.Open/PE
MSW10-6	Buzzer Sound	Tone 2	Tone 1, Tone 2, Tone 3, Tone 4
MSW13-1	Security/Target	Low/All	Low/All, Mid/All, Mid/Paired only, Hi/All, Hi/Paired only
MSW13-5	BT Device Scan	Discoverable	No Response, Discoverable
MSW13-6	Auto Reconnect	Valid	Valid   Invalid, Valid



# FRANÇAIS

## PRÉCAUTIONS GÉNÉRALES

- Veuillez à lire le présent mode d'emploi avant d'utiliser ce produit. Après l'avoir lu, conservez-le dans un endroit sûr et facilement accessible pour toute référence ultérieure.
- Les informations contenues dans le présent mode d'emploi sont sujettes à modification sans préavis.
- La reproduction ou le transfert d'une partie ou de la totalité de ce document, par quelque moyen que ce soit, sans l'autorisation de Citizen Systems, est interdit.
- Notez que Citizen Systems ne peut être tenu responsable des conséquences du fonctionnement, quelles que soient les omissions, erreurs ou fautes d'impression présentes dans ce mode d'emploi.
- Citizen Systems n'est en aucun cas responsable de tout problème causé par l'utilisation d'options ou de produits consommables qui ne sont pas indiqués dans ce mode d'emploi.
- Sauf en cas de spécification contraire dans ce mode d'emploi, n'essayez pas d'entretenir, de démonter ou de réparer ce produit.
- Citizen Systems n'est en aucun cas responsable de tout dommage attribuable à une opération/manipulation incorrecte ou à un environnement d'exploitation inapproprié qui ne sont pas indiqués dans ce mode d'emploi.
- Les données sont prévues fondamentalement pour un usage provisoire et ne sont pas stockées pendant une longue période ou de manière permanente. Notez que Citizen Systems ne peut être tenu responsable des dommages ou pertes de profits résultant de pertes de données occasionnées par des accidents, des réparations, des tests ou autres.
- Si vous trouvez des omissions ou des erreurs ou si vous avez des questions, veuillez contacter votre revendeur Citizen Systems.
- S'il manque des pages ou si des pages sont inversées, contactez votre revendeur Citizen Systems pour remplacer le mode d'emploi.

L'utilisation de la mention « Made for Apple » signifie qu'un accessoire a été conçu pour se connecter spécifiquement à ou aux produits Apple identifiés, et que son développeur certifie la conformité avec les standards de performances d'Apple.

Apple décline toute responsabilité relative au fonctionnement de cet appareil ou à sa conformité aux normes de sécurité et à la réglementation en vigueur.

Veuillez noter que l'utilisation de cet accessoire avec un produit Apple peut affecter les performances sans fil.

- Apple, Apple TV, Apple Watch, iPad, iPad Air, iPad Pro, iPhone, and Lightning are trademarks of Apple Inc., registered in the U.S. and other countries. tvOS is a trade-

mark of Apple Inc. The trademark "iPhone" is used in Japan with a license from Ai-  
phone K.K.

- EPSON et ESC/POS sont des marques déposées de Seiko Epson Corporation.
- QR Code est une marque déposée de DENSO WAVE INCORPORATED.
- Ethernet est une marque déposée de Fuji Xerox Corporation.
- Bluetooth® est une marque commerciale déposée de Bluetooth-SIG Inc.
- CITIZEN est une marque enregistrée de Citizen Watch Co. Ltd.
- Toutes les autres marques de commerce appartiennent à leurs propriétaires respectifs.
- Citizen Systems utilise ces marques de commerce conformément à la licence des propriétaires respectifs.

Copyright© CITIZEN SYSTEMS JAPAN CO., LTD. 2021

# PRÉCAUTIONS DE SÉCURITÉ... À RESPECTER RIGOR- EUSEMENT

Veillez lire attentivement ces PRÉCAUTIONS DE SÉCURITÉ avant d'utiliser l'appareil pour la première fois. Une manipulation incorrecte peut entraîner des accidents (tels qu'un incendie, un choc électrique ou des blessures).

Afin d'éviter tout risque de blessures aux opérateurs ou à des tiers ou de dommages matériels, des symboles d'avertissement spéciaux sont utilisés dans le Mode d'emploi pour indiquer les points importants à respecter rigoureusement.

- Après avoir lu ce mode d'emploi, conservez-le dans un endroit sûr et facilement accessible pour toute référence ultérieure.
- Certaines des descriptions contenues dans ce mode d'emploi peuvent ne pas s'appliquer à certains modèles d'imprimantes.

Ce qui suit indique le degré de danger et de dommage encouru si l'imprimante n'est pas utilisée correctement, sans tenir compte des instructions indiquées par les symboles d'avertissement. Veillez à lire attentivement ces informations.



## AVERTISSEMENT

Le non-respect des précautions indiquées par ce symbole peut provoquer des blessures mortelles ou graves.



## ATTENTION

Le non-respect des précautions indiquées par ce symbole peut provoquer des blessures ou des dommages matériels.



Ce symbole sert à attirer votre attention sur des points importants.



Ce symbole sert à vous avertir d'un risque de choc électrique ou de dommage électrostatique.



Ce symbole indique la nécessité de débrancher l'imprimante de la prise murale.



Ce symbole indique que l'alimentation électrique doit être mise à la terre.



Ce symbole est utilisé pour indiquer des informations utiles, telles que des procédures, des instructions ou d'autres informations similaires.



Ce symbole sert à indiquer des actions interdites.

# PRÉCAUTIONS RELATIVES À L'INSTALLATION DE L'IMPRIMANTE



## AVERTISSEMENT

- **N'utilisez pas et ne rangez pas cet appareil dans un endroit où il sera exposé à :**

- \* des flammes ou de l'air humide.
- \* la lumière directe du soleil.
- \* de l'air chaud ou des radiations d'un appareil de chauffage.
- \* de l'air salin ou des gaz corrosifs.
- \* une atmosphère mal ventilée.
- \* des réactions chimiques en laboratoire.
- \* de l'huile, des particules d'acier ou de la poussière dans l'air.
- \* de l'électricité statique ou des champs magnétiques puissants.



- **De tels endroits présentent un risque de dommages à l'imprimante, ainsi que de panne de l'appareil, de surchauffe, d'émission de fumée, d'incendie ou de choc électrique.**

**De plus, il faut toujours éviter ces endroits car ils peuvent entraîner un incendie ou des chocs électriques.**

- **Ne laissez pas tomber de corps étrangers et ne renversez pas de liquide dans l'imprimante. Ne placez aucun objet sur l'imprimante.**

- **Ne faites pas tomber d'objets métalliques, tels que des trombones, des épingles ou des vis, dans l'imprimante.**

- **Ne placez pas de vase, de pot de fleurs ou d'objets contenant de l'eau sur l'imprimante.**

- **Ne renversez pas de café, de boissons gazeuses ou tout autre liquide dans l'imprimante.**

- **Ne vaporisez pas d'insecticide ou tout autre produit chimique liquide sur l'imprimante.**

- **Si un objet métallique tombe accidentellement dans l'imprimante, il existe un risque de panne de l'imprimante, d'incendie ou de choc électrique.**

**Dans ce cas, mettez immédiatement l'imprimante hors tension, débranchez-la de la prise d'alimentation et contactez votre revendeur local Citizen Systems.**





## AVERTISSEMENT

### ■ Ne manipulez pas l'imprimante de la manière suivante :

- Ne soumettez pas l'imprimante à de forts impacts ou à des secousses violentes (ne marchez pas sur l'imprimante, ne la faites pas tomber, ne la heurtez pas, etc.).
- Ne tentez pas de démonter ou de modifier l'imprimante.



### ■ De telles actions présentent un risque de dommages à l'imprimante, ainsi que de panne de l'appareil, de surchauffe, d'émission de fumée, d'incendie ou de choc électrique.



**De plus, il faut toujours éviter de réaliser ces actions car elles peuvent entraîner un incendie ou des chocs électriques.**

**Cet appareil ne convient pas à une utilisation dans des endroits où des enfants sont susceptibles d'être présents. Installez, rangez et utilisez l'appareil hors de la portée des enfants.**



- Les appareils électriques risquent de provoquer des blessures ou des accidents inattendus s'ils sont manipulés ou utilisés de manière incorrecte.
- Laissez le cordon d'alimentation et les câbles de signaux hors de la portée des enfants. En outre, les enfants ne doivent pas pouvoir accéder aux pièces internes de l'imprimante.
- Le sac en plastique dans lequel l'imprimante est emballée doit être mis au rebut correctement et conservé hors de la portée des enfants. Une suffocation peut se produire si le sac est mis sur la tête.

## ATTENTION

### N'utilisez pas l'imprimante dans les conditions suivantes.

- Évitez les emplacements soumis à des vibrations ou à une certaine instabilité.
- Évitez les emplacements où l'imprimante n'est pas de niveau.
  - ◆ **L'imprimante pourrait tomber et entraîner des blessures.**
  - ◆ **La qualité de l'impression peut se détériorer.**
- N'obstruez pas les orifices d'aération de l'imprimante.
- Ne placez rien sur l'imprimante.
- Ne couvrez pas et n'enroulez pas l'imprimante dans des vêtements ou des couvertures.
  - ◆ **De la chaleur pourrait s'accumuler et déformer le boîtier ou déclencher un incendie.**
- Évitez d'utiliser l'imprimante à proximité d'une radio ou d'un téléviseur ou de l'alimenter à partir de la même prise électrique que ces appareils.
- Éviter d'utiliser l'imprimante connectée ensemble avec un câble ou un cordon qui ne présente aucune protection contre les parasites.  
(Pour les interconnexions, utilisez des câbles blindés ou torsadés et des noyaux en ferrite, ou d'autres dispositifs anti-bruit.)
- Évitez d'utiliser l'imprimante avec un appareil produisant une source de bruit importante.
  - ◆ **L'imprimante peut avoir un effet négatif sur les transmissions radio ou télévisées. Dans certains cas également, les appareils électriques proches peuvent avoir un effet négatif sur l'imprimante et causer des erreurs de données ou des pannes.**
- Installée dans un sens autre que ceux indiqués.
  - ◆ **Un dysfonctionnement, une panne ou un choc électrique peut se produire.**





## ATTENTION

### ■ Reliez l'imprimante à la terre.

- Les fuites électriques peuvent entraîner des décharges électriques.



### ■ Ne connectez pas la terre de l'imprimante aux éléments suivants :

#### \* Tuyaux de gaz

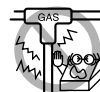
- Une explosion de gaz peut se produire.



#### \* Terre d'une ligne téléphonique

#### \* Paratonnerre

- En cas de foudre, une surtension de courant importante peut provoquer un incendie ou un choc électrique.



#### \* Conduites d'eau

- Les conduites d'eau en plastique ne doivent pas être utilisées pour la mise à la terre. (Celles approuvées par le Département des Eaux peuvent être utilisées.)



### ■ Avant de connecter le fil de terre à l'imprimante ou de le déconnecter de l'imprimante, débranchez-le toujours de la prise électrique.

# PRÉCAUTIONS DE MANIPULATION DE L'IMPRI- MANTE



## AVERTISSEMENT

Observez les précautions suivantes pour l'alimentation électrique et le cordon d'alimentation :

- Ne branchez pas et ne débranchez pas le cordon d'alimentation avec les mains mouillées.
- Utilisez l'imprimante uniquement avec la tension d'alimentation et la fréquence spécifiées.
- Utilisez uniquement l'adaptateur secteur spécifié avec l'imprimante.
- Utilisez uniquement le cordon d'alimentation fourni avec l'imprimante et n'utilisez jamais le cordon d'alimentation fourni avec un autre appareil.
- Vérifiez si la prise sur laquelle l'imprimante est alimentée a une capacité suffisante.
- N'alimentez pas l'imprimante à partir d'un bloc multiprise ou d'une fiche multiprise servant déjà à d'autres appareils.
- Ne branchez pas le cordon d'alimentation dans une prise électrique comportant de la poussière ou des débris.
- N'utilisez pas un cordon d'alimentation déformé ou endommagé.
- Ne déplacez pas l'imprimante lorsqu'elle est sous tension.
- ◆ **Toute manipulation incorrecte peut entraîner une panne de l'imprimante, une émission de fumée, un incendie ou un choc électrique.**
- ◆ **Le cordon d'alimentation risque de surchauffer ou de prendre feu, ou le disjoncteur risque de se déclencher en raison d'une surchauffe.**
- Ne posez aucun objet sur le cordon d'alimentation. Ne placez pas l'imprimante à un emplacement où le cordon d'alimentation risque d'être piétiné.
- Ne pliez pas, ne tordez pas et ne tirez pas excessivement sur le cordon d'alimentation. Ne transportez pas non plus le produit dans de telles conditions.
- Ne tentez pas de modifier inutilement le cordon d'alimentation.
- Ne placez pas le cordon d'alimentation à proximité d'un appareil de chauffage.
- ◆ **Le non-respect de ces avertissements peut provoquer la rupture des fils ou de l'isolation, ce qui peut entraîner une fuite électrique, un choc électrique ou une panne de l'imprimante.**
- ◆ **En cas d'endommagement du cordon d'alimentation, veuillez contacter votre revendeur Citizen Systems.**
- Ne laissez rien autour de la prise électrique.
- Alimentez l'imprimante à partir d'une prise électrique pratique et facile d'accès en cas d'urgence.





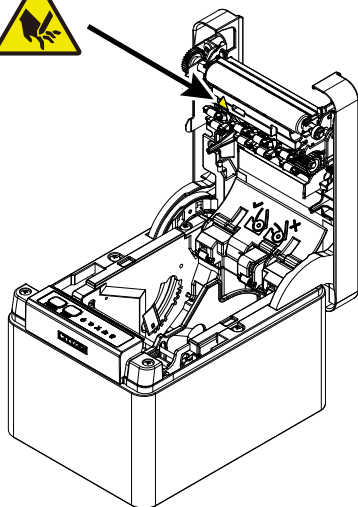
## AVERTISSEMENT

◆ **Retirez la fiche de manière à arrêter immédiatement l'imprimante en cas d'urgence.**

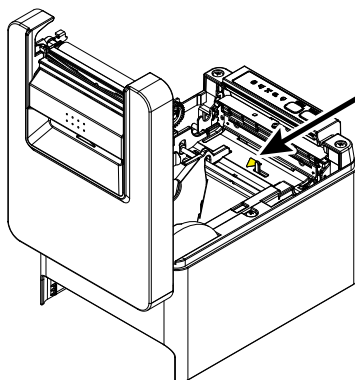
- Introduisez à fond la fiche d'alimentation dans la prise.
- Si vous ne comptez pas utiliser l'imprimante pendant une période prolongée, débranchez-la de la prise électrique.
- Tenez la fiche et la prise quand vous effectuez le branchement ou le débranchement du cordon d'alimentation ou du câble de signal après avoir éteint l'imprimante et l'appareil qui lui est connecté.

## ATTENTION

L'étiquette d'avertissement est apposée à l'emplacement indiqué sur l'illustration suivante. Lisez attentivement les précautions de manipulation avant d'utiliser l'imprimante.



Ces étiquettes indiquent le risque de brûlures en cas de contact avec la tête qui devient chaude et le risque de coupures au niveau des mains en cas de contact avec le système de découpe automatique lors de l'ouverture du capot papier.



**Ne transportez pas cette imprimante avec un rouleau de papier à l'intérieur.**

- Une panne de l'imprimante ou des dommages peuvent survenir.

**Pour éviter tout risque de dysfonctionnement ou de panne, respectez les instructions suivantes :**

- N'ouvrez pas le capot papier pendant l'impression.
- Évitez de faire fonctionner l'imprimante sans rouleau de papier correctement chargé.
- Évitez d'utiliser du papier non conforme aux spécifications.
  - ◆ **Cela risque d'entraîner une qualité d'impression médiocre.**
- Évitez d'utiliser des morceaux de papier déchirés ou du papier collé avec du ruban adhésif en plastique.
- Évitez de tirer à la main avec force sur du papier déjà chargé.
- Évitez d'utiliser un objet pointu pour appuyer sur les touches du panneau.



## ATTENTION

### ■ Veillez à insérer fermement les fiches de câble dans leur douille de connexion.

- Une connexion croisée risque d'endommager les composants électroniques internes de l'imprimante ou le matériel du système hôte.

### ■ Utilisez l'imprimante uniquement avec des dispositifs ayant les spécifications indiquées pour le solénoïde du connecteur de l'ouverture du tiroir-caisse.

- Le non-respect de cette précaution risque de provoquer un dysfonctionnement ou une panne.



### Pour éviter tout risque de blessures et l'aggravation des dommages à l'imprimante, respectez les instructions suivantes :

- Ne touchez pas à la surface d'impression de la tête thermique.
- Ne touchez pas les pièces mobiles (système de découpe du papier, engrenages, pièces électriques actives, par exemple) lors du fonctionnement de l'imprimante.
- En cas d'anomalie, ne tentez pas de réparer l'imprimante. Confiez-la au service de Citizen Systems pour la réparation.
- Veillez à ne pas vous coincer les mains ou les doigts dans les capots.
- Faites attention aux bords tranchants de l'imprimante. Ils risquent de vous blesser ou de provoquer des dommages matériels.
- ◆ Cela pourrait entraîner un choc électrique, des brûlures ou des blessures.



Si l'imprimante émet de la fumée, une odeur étrange ou un bruit anormal lors de l'impression, quittez immédiatement la session d'impression en cours et débranchez l'imprimante de la prise électrique.

## ENTRETIEN JOURNALIER

**Observez les précautions suivantes pour l'entretien quotidien.**

- Lors du nettoyage de l'imprimante, mettez-la toujours hors tension et débranchez-la de la prise électrique.
- À l'aide d'un chiffon doux et sec, essuyez toute saleté ou poussière sur la surface du boîtier.

S'il est très sale, essuyez-le avec un torchon imbibé d'eau et bien essoré.

N'utilisez jamais de solvants organiques, tels que du diluant, du trichloréthylène, du benzène, de la cétone, etc., ou un chiffon traité chimiquement.

- Pour enlever la poussière de papier, utilisez une brosse souple.



## ATTENTION

**La tête thermique conserve une température dangereusement élevée immédiatement après l'impression.**

**Laissez-la refroidir avant de démarrer les travaux d'entretien.**

# TABLE DES MATIÈRES

<b>1. PRÉSENTATION GÉNÉRALE .....</b>	<b>105</b>
1.1 Fonctionnalités .....	105
1.2 Déballage .....	107
1.3 Classification des modèles .....	108
1.4 Spécifications de base .....	108
<b>2. EXPLICATION DES COMPOSANTS DE L'IMPRIMANTE .....</b>	<b>111</b>
2.1 Apparence extérieure de l'imprimante .....	111
2.2 À l'intérieur du capot papier .....	114
2.3 Autres fonctions intégrées .....	116
<b>3. INSTALLATION .....</b>	<b>118</b>
3.1 Branchement du cordon d'alimentation secteur .....	118
3.2 Carte d'interface série .....	120
3.3 Interface USB .....	121
3.4 Carte d'interface Bluetooth .....	122
3.5 Carte d'interface de l'hôte USB Bluetooth .....	125
3.6 Ethernet (LAN)/Carte d'interface LAN sans fil .....	133
3.7 Carte d'interface de l'hôte USB Lightning .....	141
3.8 Port d'alimentation électrique USB .....	147
3.9 Branchement du tiroir-caisse .....	149
3.10 Précautions d'installation de l'imprimante .....	151
3.11 Réglage du capteur de fin de papier proche .....	152
3.12 Chargement du papier .....	153
3.13 Séparateur pour rouleau de papier de 58 mm de large .....	156
3.14 Montage du cache du câble .....	158
3.15 Précautions pour la création d'applications et les opérations pratiques .....	159
3.16 Site de téléchargement de divers fichiers électroniques .....	159
<b>4. ENTRETIEN ET DÉPANNAGE .....</b>	<b>160</b>
4.1 Nettoyage périodique .....	160
4.2 Correction d'une erreur de découpe .....	162
4.3 Annulation de l'arrêt d'impression causé par un bourrage pa- pier .....	162
4.4 Auto-test .....	164
4.5 Impression d'un vidage hexadécimal .....	165

4.6	Indications d'erreur .....	166
4.7	Bourrages papier .....	169
4.8	Précautions relatives à l'impression avec des changements de vitesse d'impression .....	169
<b>5.</b>	<b>DIVERS .....</b>	<b>170</b>
5.1	Vues et dimensions externes .....	170
5.2	Papier d'impression .....	171
5.3	Réglage manuel des commutateurs de mémoire .....	173



# 1. PRÉSENTATION GÉNÉRALE

L'imprimante thermique par ligne de la série CT-E601 est conçue pour une utilisation avec une grande variété d'équipements, y compris des terminaux de données, des terminaux de points de vente et des imprimantes cuisine.

Ces imprimantes possèdent de nombreuses fonctionnalités afin de pouvoir être utilisées pour une large gamme d'applications.

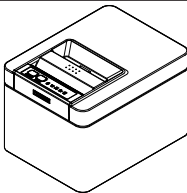

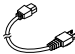
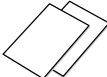
## 1.1 Fonctionnalités

- Impression à grande vitesse jusqu'à 350 mm/s possible
- Extérieur en plastique aux ions d'argent
- Design élégant
- Format compact d'une hauteur minimale
- Largeurs de papier de 80 mm et 58 mm prises en charge
- Équipée d'un système de découpe haute vitesse
- Équipée d'un capteur d'arrêt d'impression par bourrage papier
- Équipée d'une fonction anti-enroulement du papier
- Interface USB incluse de série
- Avec un port d'alimentation électrique USB de série
- Fonction d'économie d'énergie (conforme à ENERGY STAR)
- Carte d'interface interchangeable
- Fonction d'impression Web/XML incluse (modèle LAN câblé ou LAN sans fil)
- Fonction d'hôte USB pouvant contrôler les appareils périphériques inclus (modèle hôte USB LAN câblé, Bluetooth ou Lightning)
- Le modèle Lightning peut transmettre des données même pendant la charge rapide des appareils Apple
- État de l'imprimante et erreurs indiquées par cinq DEL
- Interface du tiroir-caisse intégrée
- Fonction de mise hors tension par connexion USB disponible
- Échelle de gris de 16 niveaux et impression claire
- Fonction d'économie de papier disponible
- Prise en charge des troisième et quatrième niveaux des jeux de caractères kanji de JIS X0213
- Prise en charge des jeux de caractères chinois simplifiés et traditionnels et du jeu de caractères hangul

- Prise en charge d'UTF-8 à l'aide de commandes
- Diverses personnalisations possibles à l'aide des commutateurs de mémoire
- Enregistrement des caractères et logos définis par l'utilisateur dans la mémoire de l'utilisateur possible
- Prise en charge des codes à barres, y compris les codes à barres 2D
- Prise en charge de la communication Bluetooth et USB (Lightning) certifiée Apple MFi (modèle Bluetooth, modèle Lightning)

## 1.2 Déballage

Assurez-vous que les éléments suivants sont fournis avec l'imprimante.

NOM	QUAN- TITÉ	ILLUSTRATION
Imprimante	1	
Adaptateur secteur (37AD5)	1	
Cordon d'alimentation secteur	1	
Guide de démarrage rapide	2	

## 1.3 Classification des modèles

Les numéros de modèle indiquent les fonctionnalités des imprimantes en fonction du système suivant.

**CT - E601 RS E - BK**  
                  1                  2                  3                  4

1: Nom du modèle

2: Interface

RS: Série RS-232C+USB

ET: Ethernet+USB

HET: Ethernet (fonction d'hôte USB) + USB

BT: Bluetooth+USB

HBT: Bluetooth (fonction d'hôte USB)

WF: LAN sans fil+Ethernet+USB

LT : Lightning (fonction d'hôte USB) + USB

NN:USB

3: Marché

U : Amérique du Nord

E : Europe

4: Couleur du boîtier

WH : Blanc pur

BK : Noir

Contactez-nous au préalable pour des combinaisons spéciales, car certaines peuvent ne pas être disponibles.

## 1.4 Spécifications de base

Rubrique	Spécifications
Modèle	CT-E601
Méthode d'impression	Méthode d'impression matricielle thermique par ligne
Largeurs d'impression	72 mm/576 points, 68,25 mm/546 points, 64 mm/512 points, 52,5 mm/420 points, 48,75 mm/390 points, 48 mm/384 points, 45 mm/360 points, valeur par défaut de 72 mm

Rubrique	Spécifications			
Densité de points	8 × 8 points/mm (203 ppp)			
Vitesse d'impression	350 mm/s (vitesse maximale, niveau de densité d'impression de 100 %, 2800 lignes de points/s)			
Nombre de colonnes d'impression *1	Police	Nombre maximum de caractères (colonnes) / 80 mm	Nombre maximum de caractères (colonnes) / 58 mm	Configuration des points (points)
	Police A	48	35	12 × 24
	Police B	64	46	9 × 24
	Police C	72	52	8 × 16
Taille des caractères *2	Police A : 1,50 × 3,00 mm, Police B : 1,13 × 3,00 mm, Police C : 1,00 × 2,00 mm			
Type de caractère	Caractères alphanumériques, caractères internationaux, PC437/850/852/857/858/ 860/863/864/865/866, WPC1252, WPC1258, katakana, ThaiCode 11/18 (1Pass/3Pass), TCVN-3, kanji (premier, deuxième, troisième et quatrième niveaux JIS), kana, caractères étendus, JIS X0213, GB18030, BIG5, KS Hangul, EUC Hangul			
Mémoire utilisateur	384 Ko (capable de stocker les caractères et les logos définis par l'utilisateur)			
Types de code à barres	UPC-A/E, JAN(EAN) 13 chiffres/8 chiffres, ITF, CODE39, CODE128, CODABAR(NW-7), CODE93, PDF417, QR Code, GS1-DataBar			
Interligne	4,25 mm (1/6 pouce) (variable par commande)			
Rouleau de papier	Papier rouleau : 80 mm x maximum ø83 mm Épaisseur du papier : 53 à 85 µm (diamètre intérieur du rouleau de papier de 12 mm / diamètre extérieur de 18 mm)			
Interface	Série (standard RS-232C), USB, Bluetooth+USB, LAN, LAN sans fil+LAN, LAN (fonction d'hôte USB) (port USB 2)), Bluetooth (fonction d'hôte USB) (port USB 2)), Lightning (fonction d'hôte USB (port USB 3))			
Ethernet	100BASE-TX/10BASE-T			
LAN sans fil	IEEE802.11n, IEEE802.11a, IEEE802.11g, IEEE802.11b			
Bluetooth	Version : Bluetooth 3.0 + EDR Profil : SPP (Serial Port Protocol, Profil de port série), iAP (iPod Accessory Protocol, Protocole d'accessoires iPod) Classe de puissance : Classe 2			
Bluetooth (fonction d'hôte USB)	Version : Bluetooth 4.2 + EDR Profil : SPP (Serial Port Protocol, Profil de port série), iAP2 (iPod Accessory Protocol, Protocole d'accessoires iPod) Classe de puissance : Classe 2			
Port d'alimentation électrique USB	2,1 A maximum			
Arrêt du tiroir-caisse	Prend en charge 2 tiroirs-caisses			
Tampon d'entrée	4 K octets/45 octets			
Tension d'alimentation	24 V CC ±5 %			
Consommation	Environ 50 W (lors de l'impression), environ 1 W (en mode de veille), environ 0,3 W (hors tension)			
Adaptateur secteur (37AD5)	Entrée nominale : 100 à 240 V CA, 50/60 Hz, 150 VA Sortie nominale : 24 V CC, 2,1 A			
Poids	Environ 1,2 kg			
Dimensions externes	125 (L) × 165 (P) × 108 (H) mm			
Température et humidité de fonctionnement	De 5 à 45 °C, 10 à 90 % d'humidité relative (sans condensation)			

Rubrique	Spécifications
Température et humidité de stockage	De -20 à 60 °C, 10 à 90 % d'humidité relative (sans condensation)
Fiabilité	Durée de vie de la tête d'impression : 200 km, 200 millions d'impulsions (température ambiante, humidité ambiante, papier recommandé spécifié, épaisseur de papier spécifiée), Durée de vie du système de découpe automatique : 2 million de découpes (3 pouces), 1.5 million de découpes (2 pouces) (température ambiante, humidité ambiante, papier recommandé spécifié, épaisseur de papier spécifiée)
Normes de sécurité *3	UL, FCC Classe A, marquage CE

Remarques :

\*1 Le nombre de colonnes imprimables est sélectionné avec le commutateur de mémoire.

Le nombre de colonnes noté dans ce tableau se rapporte à des modèles typiques. Le nombre de colonnes varie en fonction des spécifications.

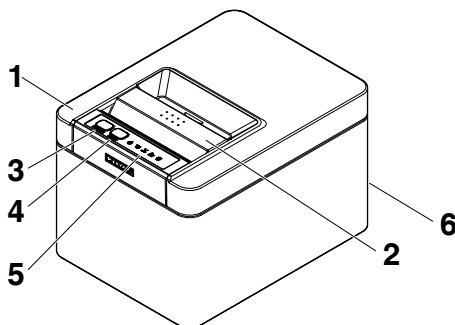
\*2 Les caractères apparaissent plus petits parce que les dimensions comprennent une zone blanche autour de chaque caractère.

\*3 Cette norme s'applique lors de l'utilisation de notre adaptateur secteur (37AD5).

## 2. EXPLICATION DES COMPOSANTS DE L'IMPRIMANTE

### 2.1 Apparence extérieure de l'imprimante

#### Nom des composants



1: Capot papier

Ouvrez pour charger le papier.

Ouvrez également pour corriger une erreur de découpe.



**Reportez-vous à 4.2 Correction d'une erreur de découpe**

2: Levier d'ouverture du capot

Utilisez ce levier pour ouvrir le capot papier.

3: Touche POWER

Appuyez sur cette touche pendant deux ou trois secondes pour mettre l'appareil sous ou hors tension.

4: Touche FEED

Appuyez sur cette touche pour faire avancer le papier.

En cas d'erreur de découpe, appuyez sur la touche FEED avec le capot papier fermé après avoir supprimé la cause.

L'imprimante entre en mode de réglage des commutateurs de mémoire et d'exécution d'un auto-test.



**Reportez-vous à 4.4 Auto-test**

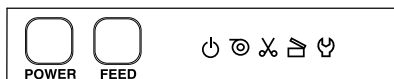


**Reportez-vous à 5.3 Réglage manuel des commutateurs de mémoire**






5: Panneau de commande

6: Connecteurs arrière

## Panneau de commande



Le panneau de commande comporte cinq DEL et deux touches.

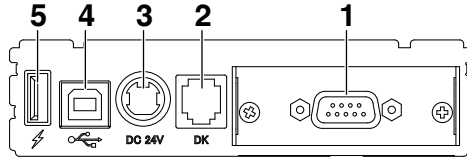
	Nom de voyant	Couleur	Description
	POWER LED	Vert	S'allume lorsque l'appareil est sous tension, s'éteint lorsque l'appareil est hors tension.
	PAPER LED	Vert	S'allume ou clignote lorsque la détection est faite qu'il n'y a plus de papier ou très peu. Peut également s'allumer ou clignoter lorsque d'autres anomalies sont détectées.
	CUTTER LED	Vert	Clignote lorsqu'une erreur de découpe est détectée. Peut également s'allumer ou clignoter lorsque d'autres anomalies sont détectées.
	COVER LED	Vert	S'allume ou clignote lorsque un capot papier ouvert est détecté. Peut également s'allumer ou clignoter lorsque d'autres anomalies sont détectées.
	SERVICE LED	Orange	Clignote lorsqu'une anomalie de l'imprimante irrémédiable est détectée.



**Reportez-vous à 4.6 Indications d'erreur**

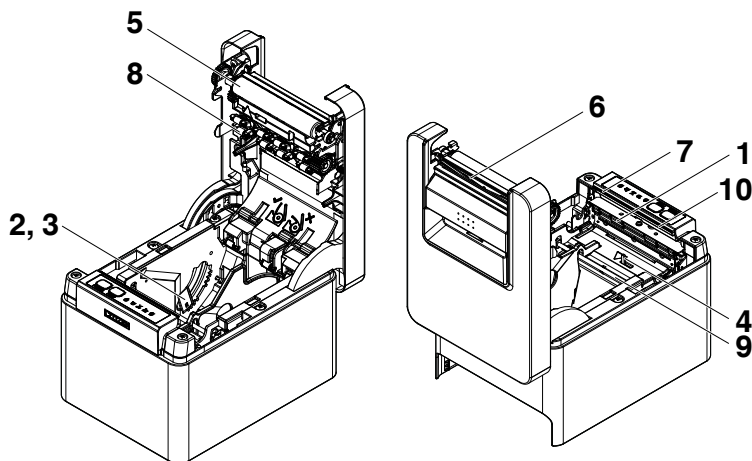


## Connecteurs arrière (exemple de l'interface série)



- 1: Connecteur d'interface (série, USB, etc.)  
Connectez le câble d'interface.
- 2: Connecteur d'arrêt du tiroir-caisse  
Connectez le câble du tiroir-caisse.
- 3: Connecteur d'alimentation  
Connectez le câble de l'adaptateur secteur.
- 4: Connecteur USB
- 5: Port d'alimentation électrique USB  
Alimentez un périphérique USB.

## 2.2 À l'intérieur du capot papier



1: Tête d'impression (thermique)

Imprime les caractères et les données graphiques sur le papier (rouleaux de papier).

2: Capteur de fin de papier proche (PNE)

Détecte quand le papier est proche de la fin du rouleau. Ajustez la position du capteur pour déterminer quand il détecte que la fin du papier est proche.

3: Touche pour changer le capteur de fin de papier proche

Changez la position du capteur de fin de papier proche en fonction du papier utilisé.



**Reportez-vous à 3.11 Réglage du capteur de fin de papier proche**

4: Capteur de fin de papier (PE)

Détecte quand il n'y a pas de papier. L'impression s'arrête quand ce capteur détecte qu'il n'y a pas de papier.

5: Cylindre

Fait avancer le papier.

Ne retirez le cylindre que lors de l'entretien.

6: Système de découpe automatique

Coupe le papier.



**Reportez-vous à 5.3 Réglage manuel des commutateurs de mémoire**

7: Système de découpe manuelle

Pour couper le papier manuelle quand l'impression est terminée.

8: Rouleau anti-enroulement du papier

Rouleau pour réduire l'ondulation du papier.

9: Amortisseur anti-enroulement du papier

Amortisseur pour réduire l'ondulation du papier.

10: Capteur de bourrage papier

Capteur pour détecter un bourrage papier et arrêter l'impression.

<b>Remarques</b>
Le rouleau anti-enroulement et l'amortisseur anti-enroulement ne redressent pas complètement le papier.

## 2.3 Autres fonctions intégrées

### ● Signal sonore

Un signal sonore est émis en cas d'erreur ou quand des opérations ou des commandes sont effectuées.



**Reportez-vous à 4.6 Indications d'erreur**

### ● Mémoire utilisateur

Vous pouvez sauvegarder des logos et des caractères définis par l'utilisateur dans cette mémoire. Les données restent stockées dans cette mémoire même si l'imprimante est mise hors tension. Pour savoir comment sauvegarder des données, reportez-vous à la Référence des commandes.

### ● Commutateur de mémoire

Le réglage de divers types de fonctions peut être mémorisé. Les réglages restent stockés dans la mémoire même si l'imprimante est mise hors tension.

### ● Mise hors tension par connexion USB (lorsque le commutateur de mémoire MSW6-3 est activé)

Lorsque l'imprimante est connectée à un ordinateur via une connexion USB, l'imprimante passe en état de mise hors tension par connexion USB après 3 secondes lorsque l'ordinateur est éteint ou la connexion USB est perdue.

Ce mode est annulé lorsque l'ordinateur est rallumé ou lorsqu'une connexion USB est établie.

### Remarques

- Le voyant POWER LED étant éteint lors de l'état de mise hors tension par connexion USB, cet état ne peut pas être distingué de la mise hors tension.
- L'appui sur la touche POWER pendant l'état de mise hors tension par connexion USB permet de remettre sous tension normalement.

### ● Fonctions d'économie de papier

Vous pouvez configurer les réglages ci-dessous permettant d'économiser le papier à l'aide des commutateurs de mémoire MSW8-3 à MSW8-4.

#### • Suppression de la marge supérieure

L'imprimante fait reculer le papier avant l'impression, ce qui réduit l'espace vide au niveau du bord supérieur du papier.

La quantité de retour du papier peut être spécifiée.

#### • Réduction de l'intervalle de ligne

Réduit automatiquement la distance entre les lignes au niveau du saut de ligne. Le taux de réduction peut être spécifié.



## ATTENTION

Retirez le papier partiellement découpé avant de faire reculer le papier pour démarrer l'impression.

Le papier coupé pourrait être déchiré lors de la prochaine impression et entraîner un problème.

### ● Déplacement latéral auto (MSW8-6)

Cette fonction permet de dissiper la charge thermique lors de la génération de chaleur fréquente par une ligne verticale réglée ou un autre élément de chauffage de tête spécifique.

Si aucune donnée n'est reçue dans les 15 secondes après chaque découpe ou impression, la position d'impression est automatiquement décalée de N\* points vers la droite. Le retour à la position d'impression d'origine est effectué lors du prochain décalage.

\* N correspond à la valeur de réglage de MSW8-6.

### Remarques

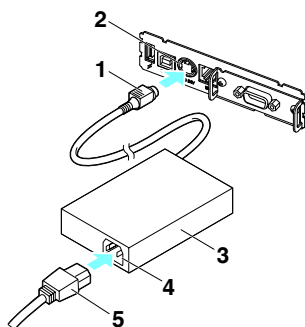
- Si la marge droite est trop étroite, certains caractères d'impression risquent d'être coupés.
- Cette fonction est désactivée dans les réglages initiaux.
- Pour activer cette fonction, utilisez MSW8-6 pour spécifier une valeur appropriée pour la quantité de décalage maximum.

## 3. INSTALLATION

### 3.1 Branchement du cordon d'alimentation secteur

1. Mettez l'appareil hors tension.
2. Connectez le connecteur d'alimentation au connecteur du câble de l'adaptateur secteur.

Ensuite, connectez le cordon d'alimentation secteur à la prise d'entrée secteur et branchez la fiche sur une prise électrique.



1. Connecteur du câble
2. Connecteur d'alimentation
3. Adaptateur secteur
4. Prise d'entrée secteur
5. Cordon d'alimentation secteur



## ATTENTION

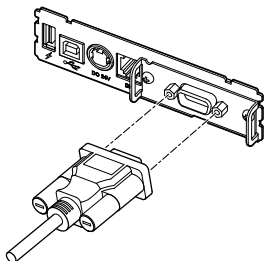
- Utilisez uniquement l'adaptateur secteur spécifié.
- Tenez toujours le connecteur du câble de l'adaptateur secteur par le connecteur lorsque vous le retirez ou l'insérez.
- Utilisez une source d'alimentation secteur qui n'est pas non plus utilisée pour alimenter un appareil qui génère du bruit électromagnétique.
- Tirer directement sur le cordon d'alimentation secteur peut l'endommager et provoquer un incendie, un choc électrique ou la rupture d'un fil.
- En cas d'approche d'un orage, débranchez le cordon d'alimentation secteur de la prise électrique. La foudre pourrait provoquer un incendie ou un choc électrique.
- Maintenez le cordon d'alimentation secteur éloigné des appareils de chauffage. L'isolant du cordon d'alimentation secteur peut fondre et provoquer un incendie ou un choc électrique.
- Si vous ne comptez pas utiliser l'imprimante pendant une période prolongée, débranchez le cordon d'alimentation secteur de la prise électrique.
- Placez le cordon d'alimentation secteur de façon à ne pas marcher dessus.

## 3.2 Carte d'interface série

Il est possible d'échanger des données via la communication en série.

### Connexion du câble d'interface

1. Mettez l'appareil hors tension.
2. Vérifiez l'orientation du câble d'interface et connectez-le au port.



3. Insérez fermement l'autre connecteur dans le port d'interface de l'ordinateur hôte.



### ATTENTION

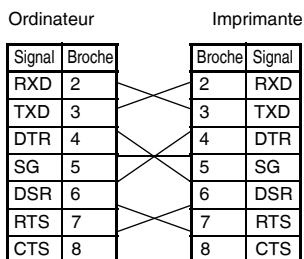
- Lors du débranchement du câble, tenez toujours le connecteur.
- Placez le câble d'interface de façon à ne pas marcher dessus.

### Remarques

Ne connectez pas plusieurs interfaces en même temps.

Utilisez un câble série avec la méthode de connexion ci-dessous.

### Câble 9 broches (femelles) - 9 broches (femelles)





## 3.3 Interface USB

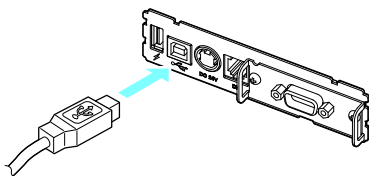
Il est possible d'échanger des données via la communication USB.

### Spécifications

Norme	Conformité aux spécifications USB 2.0
Vitesse de communication	Prise en charge des transferts de 12 Mbit/s (Pleine vitesse)

### Connexion du câble d'interface

1. Mettez l'appareil hors tension.
2. Vérifiez l'orientation du câble d'interface et connectez-le au port.



3. Insérez fermement l'autre connecteur dans le port d'interface de l'ordinateur hôte.



### ATTENTION

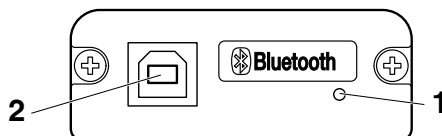
- Lors du débranchement du câble, tenez toujours le connecteur.
- Placez le câble d'interface de façon à ne pas marcher dessus.
- Faites attention de ne pas insérer le câble USB dans le connecteur d'arrêt du tiroir-caisse.

### Remarques

- Ne connectez pas plusieurs interfaces en même temps.
- Pour connecter plus d'une imprimante à un seul ordinateur via USB, vous devez changer le numéro de série de l'interface USB.
- Certains modèles sont équipés d'un port USB du côté de la carte d'interface.  
Lors de l'utilisation de tels modèles, ne connectez pas les câbles USB à la fois à l'unité principale de l'imprimante et à la carte d'interface.  
Si les câbles USB sont connectés à l'unité principale et à la carte d'interface, la communication pour le câble qui est connecté au port de l'unité principale sera prioritaire.

## 3.4 Carte d'interface Bluetooth

### Nom des composants



#### 1. État Voyant

Ce voyant indique le statut d'erreur/de connexion/de communication Bluetooth.

#### 2. Connecteur USB

Il est possible d'échanger des données via la communication USB.

### Remarques

Lors de l'utilisation de cette carte d'interface comme interface USB, ne connectez pas les câbles USB en même temps à l'appareil principal et à la carte d'interface.

Si les câbles USB sont connectés à l'appareil principal et à la carte d'interface, la communication pour le câble qui est connecté au connecteur de l'appareil principal sera prioritaire.

### DEL d'état de Bluetooth

État	Description	État de DEL
Mise en veille de détection (visible)	Mise en veille de la détection et la connexion	
Mise en veille de connexion (Connectable)	Mise en veille pour la connexion	
Connexion iOS	Session de données non ouverte	
En communication	iOS : session de données ouverte Autres SE : connexion établie et communication en cours	
Erreur	Erreur ou réglages configurés	Éteinte

## **Opération de couplage**

Vous devez réaliser les opérations ci-dessous la première fois que vous établissez une connexion Bluetooth pour la communication de données Bluetooth.

1. détecter les appareils Bluetooth
2. configurer les réglages de couplage

### **1: Détection des appareils Bluetooth**

Vérifiez que le Bluetooth est activé sur le PC hôte avant de rechercher les appareils Bluetooth.

Ce produit apparaît en tant que "CT-E601\_XX"(XX sont les 2 derniers chiffres de l'adresse BD uniquement.) lorsqu'il est détecté.

Sélectionnez ce produit parmi les appareils détectés.

Remarque : vous pouvez rechercher des appareils et changer leurs noms.

Lorsque le commutateur de mémoire MSW13-5 est réglé sur "No response," rien ne s'affiche lors de la détection d'appareil.

Vous pouvez temporairement basculer ce réglage sur détection d'appareil (mode de

détection) en ouvrant le capot papier et en maintenant enfoncée la touche FEED pendant deux secondes. Vous quittez le mode de détection lorsque la connexion entre le PC hôte est terminée.

### **2: Configuration des réglages de couplage**

En règle générale, sélectionner l'imprimante pendant la détection d'appareils permettra d'aboutir directement aux réglages de couplage.

<b>Remarques</b>
Certaines configurations et certains modèles d'ordinateur hôte risquent de ne pas aboutir aux réglages de couplage une fois l'imprimante sélectionnée pendant la détection d'appareils.

Selon que le SSP (couplage simple sécurisé) est activé sur l'ordinateur hôte ou non, l'opération requise pour configurer les réglages de couplage est différente.

Si le SSP est activé sur le PC hôte, le couplage peut être terminé sans opérations supplémentaires.

Si le SSP est désactivé sur l'ordinateur hôte, vous serez invité à saisir une clé d'accès. Saisissez la clé d'accès tel que décrit ci-dessous.

Clé d'accès

Quatre derniers chiffres de l'adresse sur l'impression du test automatique (Les lettres de A à F sont des majuscules)

Exemple : si l'adresse est 01:23:45:67:89:AB la clé d'accès est 89AB.

Si vous supprimez des informations de couplage de l'ordinateur hôte sans supprimer les informations de couplage correspondantes, l'imprimante risque de ne pas apparaître si vous détectez à nouveau des appareils avec l'ordinateur hôte.

Pour supprimer les informations de couplage d'imprimante, ouvrez le capot papier, puis, maintenez enfoncée la touche FEED pendant cinq secondes.

La suppression des informations de couplage sur l'imprimante placera l'imprimante en mode découverte.

### **Reconnexion automatique**

Avec la communication d'appareil iOS Bluetooth, une connexion entre un appareil iOS couplé et l'imprimante n'est pas automatiquement rétablie une fois perdue.

Néanmoins, lorsque l'option de reconnexion automatique est activée, l'imprimante tente de se reconnecter à un appareil iOS une fois une communication à double sens activée et rétablit automatiquement la connexion.

#### **Remarques**

■ **Cette fonction est activée à la livraison en usine. (MSW13-6)**

**La reconnexion automatique peut prendre quelques instants lorsque l'hôte n'est pas un appareil iOS.**

■ Même si l'appareil partenaire est un appareil iOS, les conditions ci-dessous peuvent interférer avec la fonction de reconnexion automatique.

- **Lorsque vous souhaitez que la communication Bluetooth se coupe une fois l'impression terminée**
- **Lorsque plusieurs appareils iOS impriment sur la même imprimante**

Sous de telles conditions, désactivez la reconnexion automatique.

### **Activation et désactivation de la fonction de reconnexion automatique**

Pendant l'auto-test, appuyez sur la touche FEED 3 fois -> Reconnexion automatique = Valide

Pendant l'auto-test, appuyez sur la touche FEED 4 fois -> Reconnexion automatique = Invalide

À la fin du test automatique, un nouveau réglage sera imprimé en tant que Reconnexion automatique [Valide] ou [Non valide].



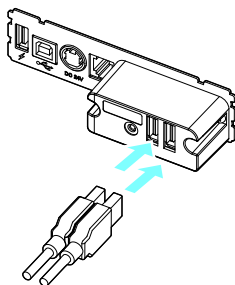
**Reportez-vous à 4.4 Auto-test**

## 3.5 Carte d'interface de l'hôte USB Bluetooth

Outre le contrôle de l'imprimante par communication Bluetooth, les interfaces de l'hôte USB Bluetooth peuvent également contrôler les appareils périphériques connectés sur un port USB.

### Connexion d'un appareil périphérique

1. Mettez l'appareil hors tension.
2. Connectez le câble d'un appareil périphérique à ce port.



#### **Remarques**

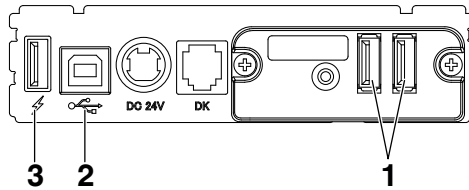
Les appareils périphériques ne peuvent être contrôlés s'ils sont connectés au port d'alimentation électrique USB.

Veillez à les connecter au port USB de la carte d'interface.

## Connexion d'un périphérique USB

La fonction attribuée à chaque port USB varie.

Connectez le périphérique USB à raccorder à l'emplacement correct en vous reportant à l'illustration suivante.



1: Pour le contrôle d'un appareil périphérique

Connectez un appareil périphérique.

L'appareil périphérique connecté peut alors être contrôlé.

2: Pour la communication avec un ordinateur hôte

Connectez un ordinateur hôte.

L'imprimante et l'ordinateur hôte communiquent via USB.



**Reportez-vous à 3.3 Interface USB**

3: Pour l'alimentation électrique

Connectez un périphérique mobile ou autre périphérique USB.

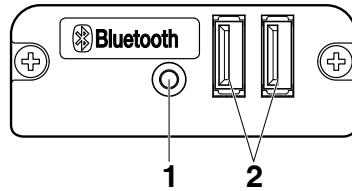
Le périphérique USB connecté est alors alimenté en électricité.

\* Ce port ne prend pas en charge la communication de données USB.



**Reportez-vous à 3.8 Port d'alimentation électrique USB**

## Nom des composants



1: Touche du panneau

Contrôlez cette carte d'interface.

2: Port USB 2

Connectez un appareil périphérique.

### **Remarques**

- Sur le port USB, branchez uniquement des appareils périphériques indiqués par notre entreprise.
- Branchez/débranchez les appareils périphériques uniquement lorsque l'imprimante est éteinte.

## Opération de couplage

Vous devez réaliser les opérations ci-dessous la première fois que vous établissez une connexion Bluetooth pour la communication de données Bluetooth.

1. détecter les appareils Bluetooth
2. configurer les réglages de couplage

### **1: Détection des appareils Bluetooth**

Vérifiez que le Bluetooth est activé sur le PC hôte avant de rechercher les appareils Bluetooth.

Ce produit apparaît en tant que "CT-E601\_XX"(XX sont les 2 derniers chiffres de l'adresse BD uniquement.) lorsqu'il est détecté.

Sélectionnez ce produit parmi les appareils détectés.

Remarque : vous pouvez rechercher des appareils et changer leurs noms.

Lorsque le commutateur de mémoire MSW13-5 est réglé sur "No response," rien ne s'affiche lors de la détection d'appareil.

Avec ces paramètres, appuyez sur la touche du panneau et maintenez-la enfoncée pendant au moins trois secondes, puis appuyez deux fois pour passer temporairement le produit en mode de recherche d'appareils (mode découverte).

Le mode découverte est annulé lorsque le produit est connecté à un PC hôte.

## 2: Configuration des réglages de couplage

En règle générale, sélectionner l'imprimante pendant la détection d'appareils permettra d'aboutir directement aux réglages de couplage.

Remarques
Certaines configurations et certains modèles d'ordinateur hôte risquent de ne pas aboutir aux réglages de couplage une fois l'imprimante sélectionnée pendant la détection d'appareils.

Selon que le SSP (couplage simple sécurisé) est activé sur l'ordinateur hôte ou non, l'opération requise pour configurer les réglages de couplage est différente.

Si le SSP est activé sur le PC hôte, le couplage peut être terminé sans opérations supplémentaires.

Si le SSP est désactivé sur l'ordinateur hôte, vous serez invité à saisir une clé d'accès. Saisissez la clé d'accès tel que décrit ci-dessous.

Clé d'accès

Quatre derniers chiffres de l'adresse sur l'impression du test automatique (Les lettres de A à F sont des majuscules)

Exemple : si l'adresse est 01:23:45:67:89:AB la clé d'accès est 89AB.

Si vous supprimez des informations de couplage de l'ordinateur hôte sans supprimer les informations de couplage correspondantes, l'imprimante risque de ne pas apparaître si vous détectez à nouveau des appareils avec l'ordinateur hôte.

Pour supprimer des informations d'appairage, appuyez sur la touche du panneau et maintenez-la enfoncée pendant au moins trois secondes, puis appuyez quatre fois dessus une fois que le signal sonore a retenti.

Si le processus réussit, la mention « Effacer l'appareil associé » est imprimée.

La suppression des informations de couplage sur l'imprimante placera l'imprimante en mode découverte.

### **Reconnexion automatique**

Avec la communication d'appareil iOS Bluetooth, une connexion entre un appareil iOS couplé et l'imprimante n'est pas automatiquement rétablie une fois perdue.

Néanmoins, lorsque l'option de reconnexion automatique est activée, l'imprimante tente de se reconnecter à un appareil iOS une fois une communication à double sens activée et rétablit automatiquement la connexion.



## Remarques

■ **Cette fonction est activée à la livraison en usine. (MSW13-6)**

**La reconnexion automatique peut prendre quelques instants lorsque l'hôte n'est pas un appareil iOS.**

■ Même si l'appareil partenaire est un appareil iOS, les conditions ci-dessous peuvent interférer avec la fonction de reconnexion automatique.

- **Lorsque vous souhaitez que la communication Bluetooth se coupe une fois l'impression terminée**
- **Lorsque plusieurs appareils iOS impriment sur la même imprimante**

Sous de telles conditions, désactivez la reconnexion automatique.

### **Activation et désactivation de la fonction de reconnexion automatique**

Pendant l'auto-test, appuyez sur la touche FEED 3 fois -> Reconnexion automatique = Valide

Pendant l'auto-test, appuyez sur la touche FEED 4 fois -> Reconnexion automatique = Invalide

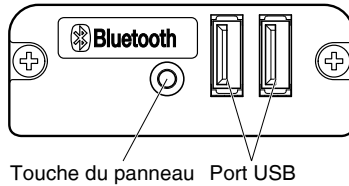
À la fin du test automatique, un nouveau réglage sera imprimé en tant que Reconnexion automatique [Valide] ou [Non valide].



**Reportez-vous à 4.4 Auto-test**

## Touche de panneau de commande

Utilisez la touche du panneau située à l'arrière de la carte Bluetooth pour faire fonctionner cette carte.



- Paramètres de la recherche d'appareils BT (MSW13-5)

1. Appuyez sur la touche du panneau et maintenez-la enfoncée pour mettre en marche l'imprimante.
2. Appuyez sur la touche du panneau dans la seconde suivant la mise en marche de l'imprimante.

Ce paramètre effectue les modifications conformément au nombre de fois où la touche du panneau a été pressée.

Deux pressions : découverte possible

Trois pressions : aucune réaction

Après ces opérations, l'imprimante redémarre.

- Imprimer l'état de la carte d'interface

Après la mise en marche de l'imprimante, appuyez sur la touche du panneau une fois pour imprimer l'état de la carte d'interface.

```
Bluetooth Board Information

Boot.      Xxxxx }
FW Ver.    Xxxxxx } 1
BT Ver.    Xxxxx }

--Printer state--
Manuf: CITIZEN SYSTEMS
Model: CT-E601
BD Addr: 11:22:33:44:55:66 ← 2
BD Name: CT-E601_XX ← 3
Profile: SPP/iAP2 ← 4

Bluetooth Set info. ← 5
Paired      : Enable
Discoverable: Enable
Reconnect   : Disable

USB Device Info. ← 6
USB1: Barcode scanner
USB2: Customer Display

BOARD STATE: Waiting Connect ← 7
```

### Exemple d'impression

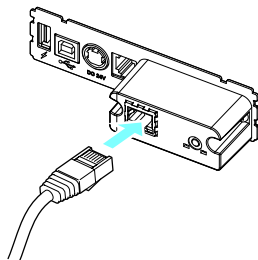
1. Version du micrologiciel de la carte
2. Adresse du module Bluetooth équipé
3. Nom Bluetooth
4. Profil de réponse dans la transmission Bluetooth
5. État du réglage Bluetooth
6. Nom de l'appareil USB connecté (« Aucune connexion » est affiché si aucune connexion n'est disponible.)
7. État de la carte

## 3.6 Ethernet (LAN)/Carte d'interface LAN sans fil

Cette section donne un aperçu de la carte d'interface. Pour plus de détails sur cette carte, y compris des explications concernant la fonction d'hôte USB et la prise en charge des périphériques XML, reportez-vous au manuel séparé.

### Connexion du câble d'interface

1. Mettez l'appareil hors tension.
2. Vérifiez l'orientation du câble d'interface et connectez-le au port.



3. Connectez l'autre connecteur à un concentrateur, un routeur ou un périphérique similaire.



### ATTENTION

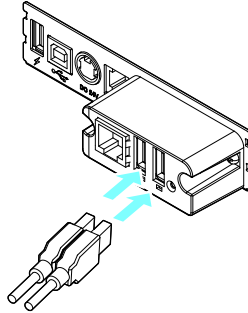
- Lors du débranchement du câble, tenez toujours le connecteur.
- Placez le câble d'interface de façon à ne pas marcher dessus.
- Maintenez le connecteur du câble LAN perpendiculaire et droit lorsque vous le connectez ou le déconnectez. Si le connecteur est incliné lors de cette opération, il risque d'être mal connecté.

### Remarques

Ne connectez pas plusieurs interfaces en même temps.

## **Connexion d'un appareil périphérique**

1. Mettez l'appareil hors tension.
2. Connectez le câble d'un appareil périphérique à ce port.



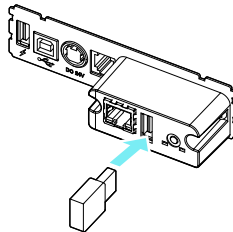
### **Remarques**

Les appareils périphériques ne peuvent être contrôlés s'ils sont connectés au port d'alimentation électrique USB.

Veillez à les connecter au port USB de la carte d'interface.

## **Connexion de l'adaptateur LAN sans fil**

1. Mettez l'appareil hors tension.
2. Connectez l'adaptateur LAN sans fil au connecteur.



### **Remarques**

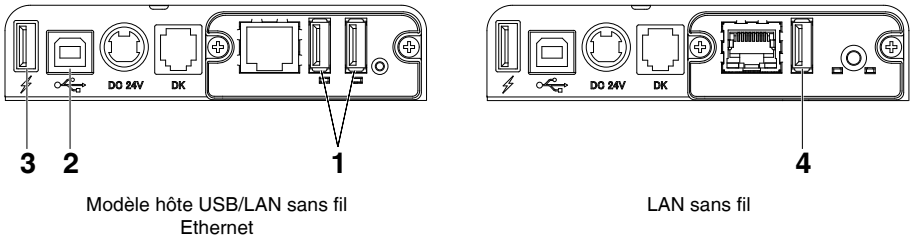
Le réseau LAN sans fil ne peut pas être utilisé lorsqu'il est connecté au connecteur d'alimentation USB.

Assurez-vous de le connecter au connecteur USB de la carte d'interface.

## Connexion d'un périphérique USB

La fonction attribuée à chaque port USB varie.

Connectez le périphérique USB à raccorder à l'emplacement correct en vous reportant à l'illustration suivante.



1: Pour le contrôle d'appareils périphériques et la connexion de l'adaptateur LAN sans fil

Connecte les appareils périphériques et l'adaptateur LAN sans fil.

Vous pouvez effectuer la connexion au port USB gauche ou droit.

Même lorsqu'un adaptateur LAN sans fil est connecté, vous pouvez connecter des appareils périphériques aux ports disponibles.

2: Pour la communication avec un ordinateur hôte

Connectez un ordinateur hôte.

L'imprimante et l'ordinateur hôte communiquent via USB.



**Reportez-vous à 3.3 Interface USB**

3: Pour l'alimentation électrique

Connectez un périphérique mobile ou autre périphérique USB.

Le périphérique USB connecté est alors alimenté en électricité.

\* Ce port ne prend pas en charge la communication de données USB.



**Reportez-vous à 3.8 Port d'alimentation électrique USB**

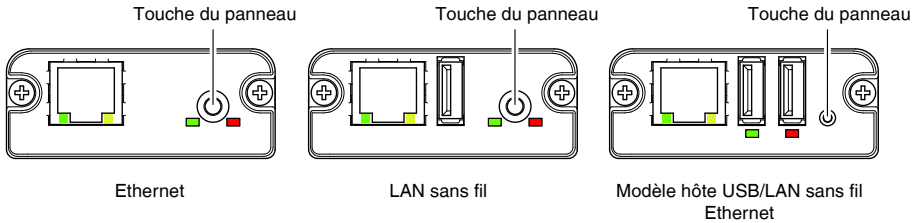
4: Pour la connexion d'un adaptateur LAN sans fil

Connectez un adaptateur LAN sans fil.

Un adaptateur LAN sans fil doit être connecté pour la communication LAN sans fil.

## **Touche de panneau de commande**

Les opérations relatives à la carte sont effectuées à l'aide de la touche du panneau à l'arrière de la carte LAN.



- **Activation de la connexion LAN**

Mettez l'imprimante sous tension. Le fonctionnement de cette carte démarrera environ 20 secondes plus tard.

- **Impression des informations de configuration LAN**

Appuyez sur la touche du panneau de commande.

- **Saisie du mode de réglage**

Enfoncez la touche du panneau de commande. Un signal sonore retentira une fois pour indiquer que le mode de réglage a été saisi.

- Vous pouvez utiliser le mode réglages pour lire les réglages en usine.
- Si aucune opération n'est effectuée pendant trois secondes en mode de configuration, le mode normal est rétabli.

- **Rétablissement des réglages en usine**

Saisissez le mode réglage de la carte, puis, maintenez la touche du panneau de commande enfoncée. Il permet de rétablir les réglages en usine de la carte.

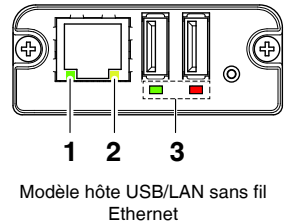
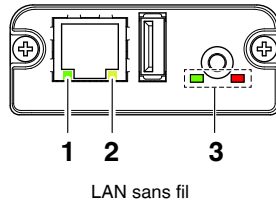
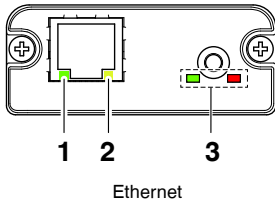
### **Remarques**

La carte redémarrera automatiquement une fois cette opération terminée. Une fois les réglages effacés, vous devez reconfigurer les réglages de réseau.



## Fonctions DEL

Les tableaux ci-dessous expliquent comment interpréter les indications DEL.



### 1: Vitesse de transmission LAN câblée

Vitesse de transmission	DEL (verte)
100 Mbps	Allumée
10 Mbps/Non connecté	Éteinte

### 2: Connexion LAN câblée/état de transmission

État de connexion	DEL (jaune)
Connectée	Allumée
Non connectée	Éteinte
Transmission de données en cours	Clignotement

### 3: État de LAN câblé/sans fil

État de connexion		DEL (verte)	DEL (rouge)	Description
Pas de connexion d'imprimante		Éteinte	—	La carte n'est pas connectée à une imprimante.
Connexion d'imprimante	Pas de connexion réseau	Allumée	Éteinte	La carte est connectée à une imprimante.
	Connectée par LAN câblé	Allumée	Clignotement (cycle de 1 seconde)	Obtention d'une adresse IP depuis le serveur DHCP sur le réseau LAN câblé.
	Fonctionnement du réseau LAN câblé	Allumée	Allumée	Fonctionnement du réseau en cours de réalisation sur un réseau LAN câblé.
	Connectée par le réseau LAN sans fil *	Clignotement (cycle de 2 seconde)	Clignotement (cycle de 1 seconde)	Connexion à un point d'accès ou obtention d'une adresse IP depuis le serveur DHCP sur le réseau LAN sans fil.
	Fonctionnement du réseau LAN sans fil *	Clignotement (cycle de 2 seconde)	Allumée	Fonctionnement du réseau en cours de réalisation sur un réseau LAN sans fil.

<b>État de connexion</b>	<b>DEL (verte)</b>	<b>DEL (rouge)</b>	<b>Description</b>
Erreur de ressource		Clignotement alternatif (cycle de 1 seconde)	La carte ne peut pas fonctionner normalement.
Erreur de ressource		Clignotement alternatif (cycle de 0,2 seconde)	La carte ne peut pas fonctionner normalement.

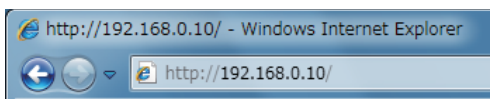
\* Uniquement lors de l'utilisation d'un réseau LAN sans fil

## Gestionnaire Web

La carte d'interface dispose d'une fonction de gestion Web permettant la connexion à la carte avec un navigateur Web et la modification des réglages de la carte.

### Démarrage du Gestionnaire Web

1. Démarrez un navigateur Web.
2. Dans le champ adresse, saisissez l'adresse IP de la carte puis appuyez sur [Enter].



### Écran HOME

Il s'agit de l'écran d'accueil du gestionnaire Web.

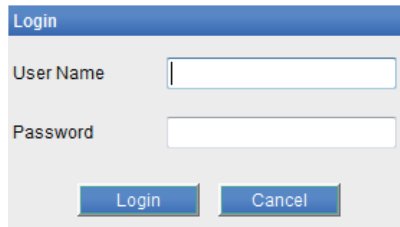
L'écran suivant est un exemple pour un réseau LAN sans fil.



Appuyez, ici sur la touche [CONFIG].

## Écran CONFIG

La boîte de dialogue de connexion indiquée ci-dessous s'affiche. Connectez-vous en tant qu'administrateur, puis configurez les réglages de la carte d'interface.



The image shows a 'Login' dialog box with a blue header. It contains two text input fields: 'User Name' and 'Password'. At the bottom, there are two buttons: 'Login' and 'Cancel'.

- User Name  
Saisissez un nom d'utilisateur d'administrateur de la carte. (Réglage initial : admin)
- Password  
Saisissez le mot de passe d'utilisateur administrateur. (Réglage initial : admin)
- Touche [Login]  
Après avoir saisi un nom d'utilisateur et mot de passe utilisateur, cliquez sur la touche [Login]. Celle-ci affiche l'écran de réglage.  
Pour plus de détails concernant les réglages, reportez-vous au manuel séparé.

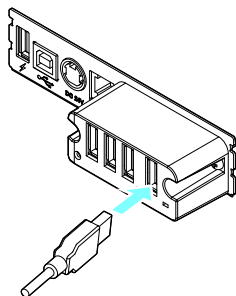
## 3.7 Carte d'interface de l'hôte USB Lightning

Outre le contrôle de l'imprimante par communication USB (Lightning), les interfaces de l'hôte USB Lightning peuvent également contrôler les appareils périphériques connectés sur un port USB.

Pour les produits Apple dotés d'un connecteur USB Type-C, comme l'iPad Pro, il est possible d'utiliser la même fonction en utilisant un câble USB Type-A - Type-C.

### Connexion du câble d'interface

1. Mettez l'appareil hors tension.
2. Vérifiez l'orientation du câble d'interface et connectez-le au port.



3. Raccordez l'autre connecteur au connecteur d'interface d'un appareil Apple.

### ATTENTION

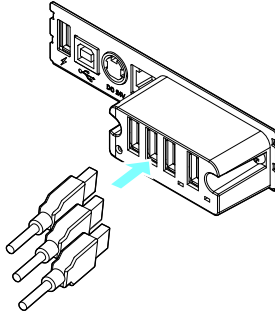
- Lors du débranchement du câble, tenez toujours le connecteur.
- Placez le câble d'interface de façon à ne pas marcher dessus.
- Maintenez le connecteur du câble LAN perpendiculaire et droit lorsque vous le connectez ou le déconnectez. Si le connecteur est incliné lors de cette opération, il risque d'être mal connecté.

### Remarques

Ne connectez pas plusieurs interfaces en même temps.

## Connexion d'un appareil périphérique

1. Mettez l'appareil hors tension.
2. Connectez le câble d'un appareil périphérique à ce port.

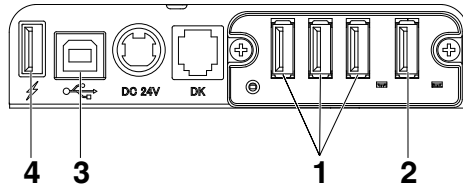


### **Remarques**

Les appareils périphériques ne peuvent être contrôlés s'ils sont connectés au port d'alimentation électrique USB.

Veillez à les connecter au port USB de la carte d'interface.

## Connexion d'un périphérique USB



1: Pour le contrôle d'un appareil périphérique

Connectez un appareil périphérique.

L'appareil périphérique connecté peut alors être contrôlé.

2: Pour la connexion d'un appareil Apple

Connectez avec un appareil Apple.

L'imprimante et l'appareil Apple communiqueront via le câble Lightning.

La charge rapide de l'appareil Apple peut également être effectuée.

3: Pour la communication avec un ordinateur hôte

Connectez un ordinateur hôte.

L'imprimante et l'ordinateur hôte communiquent via USB.



**Reportez-vous à 3.3 Interface USB**

4: Pour l'alimentation électrique

Connectez un périphérique mobile ou autre périphérique USB.

Le périphérique USB connecté est alors alimenté en électricité.

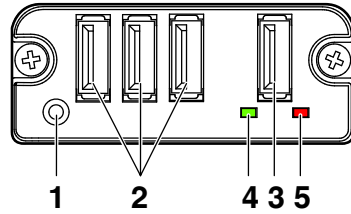
\* Ce port ne prend pas en charge la communication de données USB.

Le modèle Lightning n'a pas de fonction d'alimentation.



**Reportez-vous à 3.8 Port d'alimentation électrique USB**

## Nom des composants



1: Touche du panneau

Contrôlez cette carte d'interface.

2: Port USB pour la connexion d'appareils périphériques (3 ports)

Connectez un appareil périphérique.

3: Port USB pour la connexion d'un appareil Apple (1 port)

Connectez un appareil Apple.

Les données peuvent être transmises même pendant la charge rapide des appareils Apple.

4: Voyant vert

Ce voyant indique l'état de la communication avec l'imprimante.

5: Voyant rouge

Ce voyant indique l'état de la connexion avec un appareil Apple.

### **Remarques**

- Sur le port USB, branchez uniquement des appareils périphériques indiqués par notre entreprise.
- Branchez/débranchez les appareils périphériques uniquement lorsque l'imprimante est éteinte.
- Le fonctionnement de cette carte démarre environ 30 secondes après la mise sous tension.
- Utilisez un câble certifié MFi pour la connexion avec un appareil Apple.



## Touche de panneau de commande

Utilisez la touche du panneau située à l'arrière de la carte Lightning pour faire fonctionner cette carte.

### 1: Imprimer l'état de la carte d'interface

Après la mise en marche de l'imprimante, appuyez sur la touche du panneau une fois pour imprimer l'état de la carte d'interface.

```
I/F Board
Information

System Information
Board Name : IF2-LT01
Boot Version : BOT-000.000
Firm Version : FB00-0000 (2020/05/27)

Printer Status
Manufacture : CITIZEN SYSTEMS
Model : CT-E601
Serial Number : 987654321012

Accessory Identification
Name : CT-E601
Firmware Ver. : 1.0.0
Hardware Ver. : 1.0.0

Peripheral Status
Stream #1
  Status : Ready
  Type : ttyUSB (V:067b, P:2303)
  Specify : Enable (V:067b, P:2303)
Stream #2
  Status : Ready
  Type : ttyACM (V:24ea, P:0187)
  Specify : Disable
Stream #3
  Status : Offline
  Type : ttyUSB
  Specify : Disable
```

1. Informations système de cette carte d'interface
2. Informations sur l'imprimante connectée à cette carte d'interface
3. Informations d'identification de cette carte d'interface
4. Informations sur la connexion d'appareils périphériques

## **Fonctions DEL**

Les tableaux ci-dessous expliquent comment interpréter les indications DEL.

### **1: État de la communication avec l'imprimante**

<b>En communication</b>	<b>DEL (verte)</b>
Non connecté	Éteinte
Connectée	Allumée
Communication en cours	Clignotement

### **2: État de la connexion avec un appareil Apple**

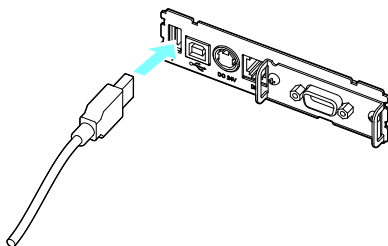
<b>En communication</b>	<b>DEL (rouge)</b>
Non connecté	Éteinte
Connectée	Allumée
Échec de la communication	Clignotement (cycle de 1 seconde)
Erreur de la carte d'interface	Clignotement (cycle de 0,2 seconde)

## 3.8 Port d'alimentation électrique USB

Il est possible d'alimenter en électricité (2,1 A maximum) un périphérique mobile ou autre périphérique USB en connectant le câble du périphérique USB au port d'alimentation électrique.

### Connexion d'un périphérique mobile ou autre périphérique

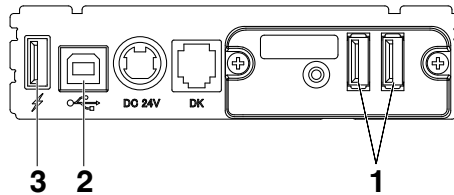
1. Mettez l'appareil hors tension.
2. Connectez le câble d'un périphérique mobile ou autre périphérique au port d'alimentation électrique USB.



## Connexion d'un périphérique USB

La fonction attribuée à chaque port USB varie.

Connectez le périphérique USB à raccorder à l'emplacement correct en vous reportant à l'illustration suivante.



1: Pour le contrôle d'un appareil périphérique

Connectez un appareil périphérique.

L'appareil périphérique connecté peut alors être contrôlé.

2: Pour la communication avec un ordinateur hôte

Connectez un ordinateur hôte.

L'imprimante et l'ordinateur hôte communiquent via USB.



**Reportez-vous à 3.3 Interface USB**

3: Pour l'alimentation électrique

Connectez un périphérique mobile ou autre périphérique USB.

Le périphérique USB connecté est alors alimenté en électricité.

\* Ce port ne prend pas en charge la communication de données USB.



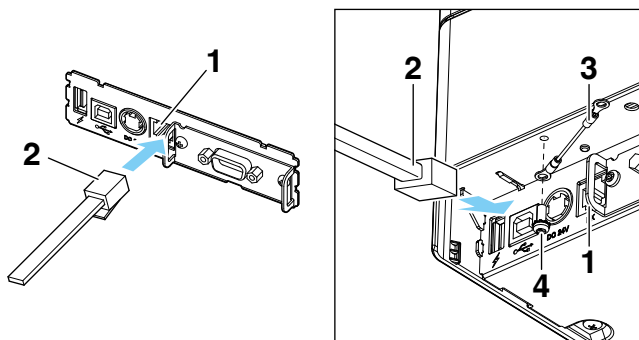
**Reportez-vous à 3.8 Port d'alimentation électrique USB**

### Remarques

- Ce port ne prend pas en charge la communication de données USB.
- Il est possible que l'alimentation électrique ne puisse être assurée selon le périphérique USB utilisé.  
Utilisez alors le chargeur de batterie ou l'adaptateur secteur du périphérique.
- Aucun câble d'alimentation électrique USB n'est fourni avec ce produit.  
Utilisez un câble USB disponible dans le commerce ou le câble fourni avec le périphérique USB.
- Le modèle Lightning n'a pas de fonction d'alimentation.

## 3.9 Branchement du tiroir-caisse

1. Mettez l'appareil hors tension.
2. Vérifiez l'orientation du connecteur du câble d'arrêt du tiroir-caisse et connectez-le au connecteur d'arrêt du tiroir-caisse à l'arrière de l'imprimante.
3. Retirez la vis du fil de terre.
4. Vissez le fil de terre du tiroir-caisse au corps de l'imprimante.



1. Connecteur d'arrêt du tiroir-caisse
2. Connecteur du câble d'arrêt du tiroir-caisse
3. Fil de terre
4. Vis du fil de terre



### ATTENTION

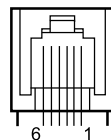
- Connectez uniquement le câble d'arrêt du tiroir-caisse à ce connecteur. (Ne connectez pas une ligne téléphonique.)
- Maintenez le connecteur du câble d'arrêt du tiroir-caisse perpendiculaire et droit lorsque vous le connectez ou le déconnectez. Si le connecteur est incliné lors de cette opération, il risque d'être mal connecté.

### Remarques

Les signaux ne peuvent pas être émis par le connecteur d'arrêt du tiroir-caisse pendant une impression.

(1) Configuration des broches du connecteur

N°	Signal	Fonction
1	FG	Terre du cadre
2	DRAWER1	Signal de commande du tiroir-caisse 1
3	DRSW	Entrée du commutateur du tiroir-caisse
4	VDR	Alimentation de commande du tiroir-caisse
5	DRAWER2	Signal de commande du tiroir-caisse 2
6	GND	Terre du signal (terre commune sur les circuits)



\* Connecteur utilisable : RJ-11

## (2) Caractéristiques électriques

1) Tension de commande : 24 VCC

2) Courant de commande : Environ 1 A max. (ne doit pas excéder 510 ms)

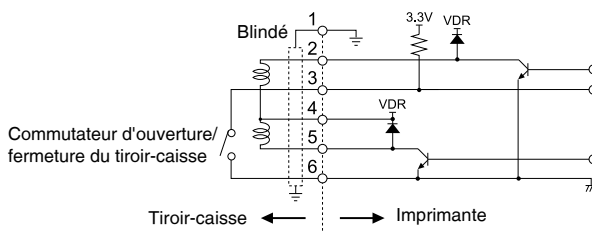
3) Signal DRSW : Niveaux de signal : « L » = 0 à 0,5 V, « H » = 3 à 5 V

## (3) Signal DRSW

L'état peut être testé avec les commandes.

## (4) Circuit de commande

### Connecteur d'arrêt du tiroir-caisse

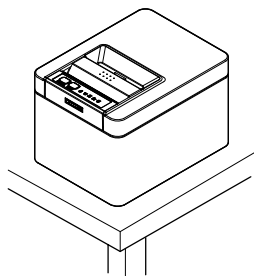


## ATTENTION

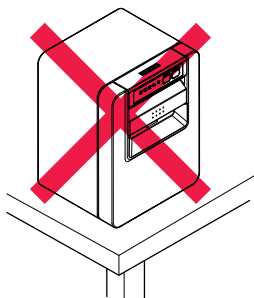
- Les tiroirs-caisses 1 et 2 ne peuvent pas être commandés en même temps.
- Le solénoïde utilisé pour le tiroir-caisse doit être de 24 Ω ou plus. Ne laissez pas le courant électrique dépasser 1 A. Un courant trop élevé peut endommager ou brûler les circuits.

## 3.10 Précautions d'installation de l'imprimante

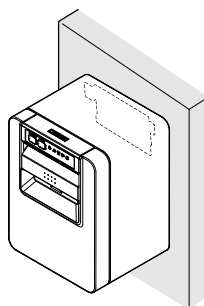
Ce produit peut être utilisé horizontalement ou fixé au mur. Il ne peut pas être utilisé verticalement.



Position horizontale



Position verticale



Montage mural



### ATTENTION

**N'utilisez pas l'imprimante dans les conditions suivantes.**

- Évitez les emplacements soumis à des vibrations ou à une certaine instabilité.
- Dans des emplacements très sales ou poussiéreux.
- Évitez les emplacements où l'imprimante n'est pas de niveau.
  - ◆ **L'imprimante pourrait tomber et entraîner des blessures.**
  - ◆ **La qualité de l'impression peut se détériorer.**
- Orientation autre que celle spécifiée.
  - ◆ **Un dysfonctionnement, une panne ou un choc électrique peut se produire.**

**Précautions pour une installation horizontale**

- N'utilisez pas le réglage de coupe complète. Cela pourrait provoquer un bourrage du système de découpe.

**Précautions pour une installation au mur**

- Ajustez le capteur de fin de papier proche.

### Pour montage mural

Si l'imprimante doit être fixée au mur, demandez à un technicien de service de l'installer.

Pour plus d'informations, reportez-vous au manuel séparé du kit de montage mural.

## 3.11 Réglage du capteur de fin de papier proche

Changez les réglages du capteur de fin de papier proche pour régler la position dans laquelle la proximité de la fin du papier est détectée.

1. Appuyez doucement avec le doigt sur le capteur de fin de papier proche.
2. Gardez le capteur de fin de papier proche enfoncé alors que vous le déplacez vers la gauche ou vers la droite. Les positions du capteur sont indiquées ci-dessous pour les divers diamètres des rouleaux de papier utilisés.

(Unité : mm)

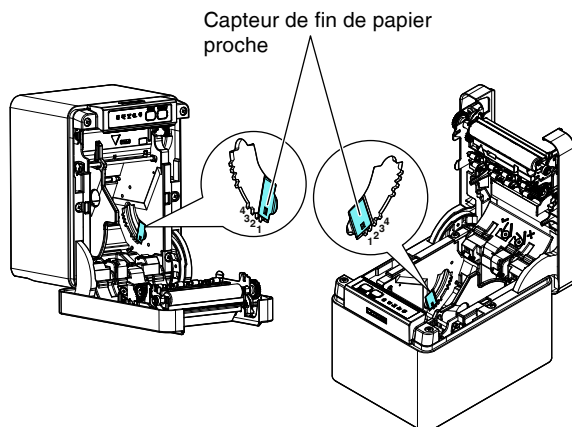
Position du capteur	Le diamètre externe du rouleau de papier lorsqu'il arrive à la fin est détecté	Diamètre extérieur/ intérieur du noyau du rouleau de papier utilisé
1*	Environ $\varnothing 22,0$	$\varnothing 18/\varnothing 12$
2	Environ $\varnothing 25,0$	$\varnothing 18/\varnothing 12$
3	Environ $\varnothing 29,0$	$\varnothing 18/\varnothing 12$
4	Environ $\varnothing 34,0$	$\varnothing 18/\varnothing 12$

Remarques:

\* Position du capteur lorsque l'appareil est livré depuis l'usine. Cependant, les réglages de l'usine diffèrent en fonction du marché de destination.

### Remarques

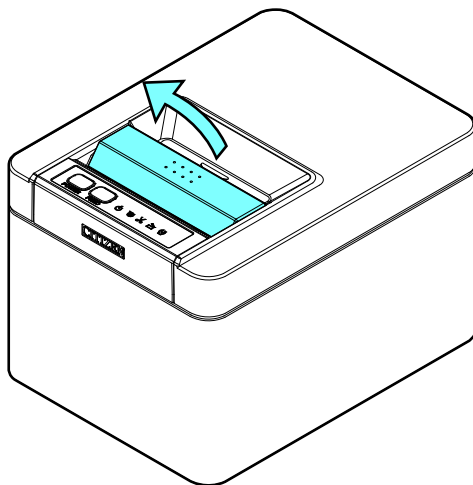
Le diamètre du rouleau de papier qui est détecté est une estimation. Des variations sont possibles en fonction du papier.





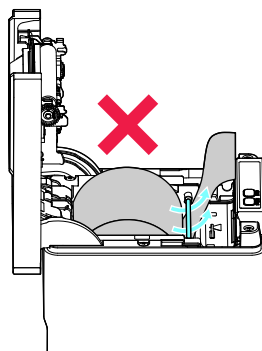
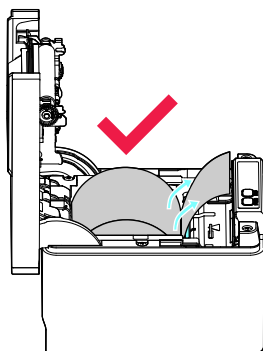
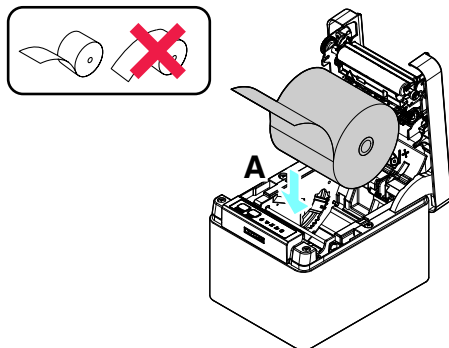
## 3.12 Chargement du papier

1. Mettez l'appareil sous tension.
2. Tirez le levier d'ouverture du capot vers vous pour ouvrir le capot papier.

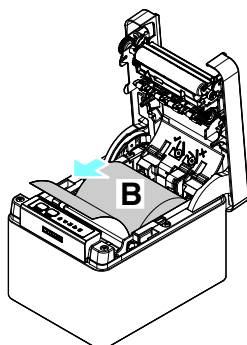


**3. Chargez le rouleau de papier avec la face imprimable du papier orientée vers le haut, comme indiqué par la flèche A.**

Placez le papier rouleau de manière à ce qu'il passe au-dessus de l'amortisseur anti-enroulement du papier.



**4. Tirez quelques centimètres de papier bien droit vers l'extérieur dans la direction de la flèche B.**



**5. Fermez le capot papier jusqu'à entendre un clic. Le papier est avancé et coupé automatiquement (selon le réglage d'usine).**



## **ATTENTION**

- Veillez à ne pas toucher l'orifice de la lame du système de découpe automatique lorsque vous ouvrez le capot papier.
- La tête d'impression est très chaude immédiatement après l'impression. Veillez à ne pas la toucher avec vos mains.
- Ne touchez pas la tête d'impression à mains nues ou avec des objets métalliques.
- Lors de la fermeture du capot papier, veillez à ne pas vous coincer les doigts.
- Faites attention aux coupures de papier lors du chargement du papier.

### **Remarques**

- Utilisez toujours les types de rouleaux de papier spécifiés.
  - Vérifiez que le rouleau de papier est installé correctement.
  - Si le papier est de biais et ne sort pas droit du capot papier, ouvrez ce dernier et remettez le papier droit.
  - Tirez toujours quelques centimètres de papier bien droit hors de l'imprimante si vous ouvrez le capot papier quand du papier est chargé.
  - Appuyez sur le centre du capot papier pour le fermer correctement.
- Si un seul d'entre eux est fermé, une impression inégale peut se produire.



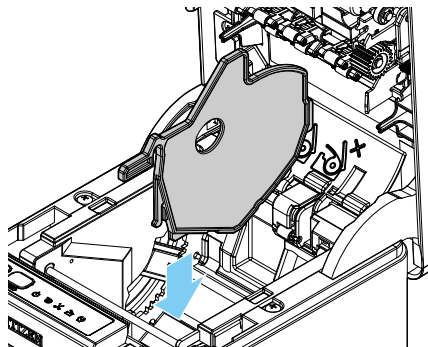
**Reportez-vous à PRÉCAUTIONS DE MANIPULATION DE L'IMPRIMANTE**

## 3.13 Séparateur pour rouleau de papier de 58 mm de large

1. Mettez l'appareil hors tension.
2. Tirez le levier d'ouverture du capot vers vous pour ouvrir le capot papier.
3. Montez le séparateur fourni dans la rainure. Lors de l'utilisation d'un rouleau de papier de 80 mm de large, enlevez le séparateur.
4. Changez la largeur de la zone d'impression en vous reportant à la section 5.3 « Réglage manuel des commutateurs de mémoire ».



Reportez-vous à 5.3 Réglage manuel des commutateurs de mémoire



### ATTENTION

- Veillez à ne pas toucher l'orifice de la lame du système de découpe automatique lorsque vous ouvrez le capot papier.
- La tête d'impression est très chaude immédiatement après l'impression. Veillez à ne pas la toucher avec vos mains.
- Ne touchez pas la tête d'impression à mains nues ou avec des objets métalliques.

## Remarques

- Lors de l'utilisation d'un support de 58 mm de large, veillez à installer le séparateur.
- Lors de l'utilisation de papier de 58 mm de large, utilisez l'imprimante comme imprimante dédiée pour ce format de papier.

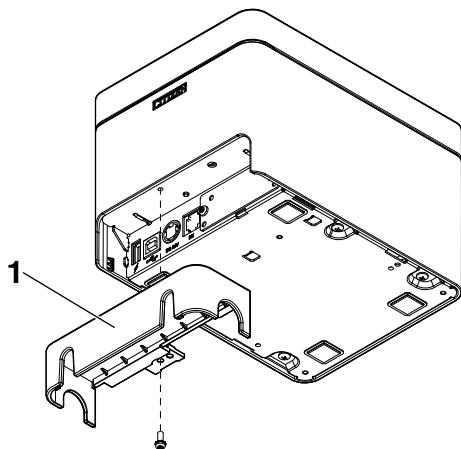
L'imprimante peut ne pas faire avancer le papier ou imprimer correctement si du papier de 80 mm de large est utilisé après avoir utilisé du papier de 58 mm de large.



**Reportez-vous à PRÉCAUTIONS DE MANIPULATION DE L'IMPRIMANTE**

## 3.14 Montage du cache du câble

- Alignez les griffes du cache du câble sur les rainures de l'unité principale de l'imprimante, puis insérez-les.



1. Cache du câble

## **3.15 Précautions pour la création d'applications et les opérations pratiques**

Si l'impression est effectuée immédiatement après avoir partiellement coupé et déchiré le papier, le haut de l'impression suivante risque d'être tordu.

Pour imprimer après la découpe, nous recommandons d'effectuer l'impression avec la première ligne vide.

Si vous utilisez une interface série dont la vitesse de transmission des données est lente, des traînées peuvent apparaître sur les impressions lors de l'impression de graphiques ou de texte avec un dégradé, qui nécessite de grandes quantités de données.

Les interfaces USB peuvent être sensibles aux effets des interférences électromagnétiques provenant de l'hôte ou de l'environnement.

Dans ce cas, essayez d'utiliser un câble à noyaux en ferrite aux deux extrémités, qui sont très efficaces pour supprimer les interférences électromagnétiques.

## **3.16 Site de téléchargement de divers fichiers électroniques**

Vous pouvez consulter les informations d'assistance et télécharger les derniers documents, pilotes, utilitaires, etc. à partir du site suivant.

<https://www.citizen-systems.co.jp/en/printer/download/>

## 4. ENTRETIEN ET DÉPANNAGE

### 4.1 Nettoyage périodique

#### Entretien de la surface extérieure de l'imprimante

Après avoir mis l'imprimante hors tension, portez des gants et utilisez un chiffon doux ou un coton absorbant pour l'essuyer.

À ce stade, assurez-vous de débrancher le cordon d'alimentation secteur de la prise.



#### ATTENTION

- L'utilisation prolongée de produits de nettoyage peut provoquer un blanchiment du boîtier extérieur.
- Lors du nettoyage avec un produit chimique approuvé, testez-le au préalable et reportez-vous toujours à la procédure recommandée par le fabricant.
- N'utilisez de l'éthanol pour le nettoyage en présence de flammes, car l'éthanol est extrêmement inflammable.
- Utilisez un chiffon doux pour étaler le produit chimique sur l'imprimante. Ne le vaporisez pas et ne le versez pas directement sur l'imprimante.
- Essuyez le désinfectant avec un chiffon doux et humide après la procédure de nettoyage. Il ne doit rester aucune goutte d'eau sur l'imprimante.
- Ne faites pas tremper ou n'essuyez pas l'intérieur de l'imprimante et ne laissez pas le désinfectant pénétrer à l'intérieur. Cela peut provoquer une panne du produit.

#### Nettoyage de la tête d'impression et du cylindre

Si la tête d'impression, le cylindre ou toute autre pièce de l'imprimante est sale, l'imprimante risque de ne pas imprimer correctement ou cela peut provoquer un dysfonctionnement. Il est recommandé de nettoyer l'appareil régulièrement (environ tous les deux à trois mois) en suivant la procédure suivante.

##### **1. Mettez l'appareil hors tension.**

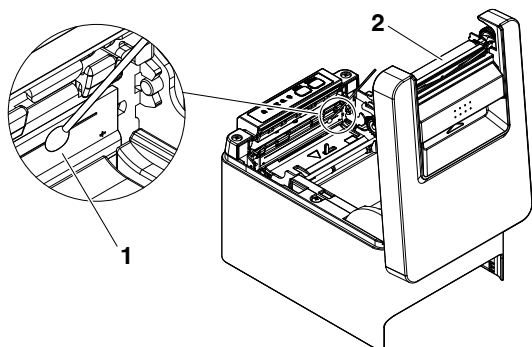
À ce stade, assurez-vous de débrancher le cordon d'alimentation secteur de la prise.

##### **2. Tirez le levier d'ouverture du capot vers vous pour ouvrir le capot papier.**

##### **3. Attendez quelques minutes que la tête d'impression refroidisse.**

##### **4. Utilisez un coton-tige imprégné d'alcool éthylique pour retirer les saletés et la poussière de la tête d'impression et du cylindre.**





1. Tête d'impression
2. Cylindre



## ATTENTION

- Veillez à ne pas toucher l'orifice de la lame du système de découpe automatique lorsque vous ouvrez le capot papier.
- La tête d'impression est très chaude immédiatement après l'impression. Veillez à ne pas la toucher avec vos mains.
- Ne touchez pas la tête d'impression à mains nues ou avec des objets métalliques.



**Reportez-vous à PRÉCAUTIONS DE MANIPULATION DE L'IMPRIMANTE**

## 4.2 Correction d'une erreur de découpe

Si le système de découpe automatique s'arrête en cours de fonctionnement avec la lame en position ouverte en raison de la pénétration d'un corps étranger, d'un bourrage papier, etc., le voyant CUTTER LED clignote.

En cas d'erreur de découpe, résolvez l'erreur en procédant comme suit.

1. **Mettez l'appareil sous tension.**
2. **Tirez le levier d'ouverture du capot vers vous pour ouvrir le capot papier.**
3. **Retirez le papier coincé, y compris tous les morceaux de papier. (Retirez également le rouleau de papier qui est chargé dans le support.)**
4. **Chargez à nouveau le rouleau de papier et fermez le capot papier.**



### ATTENTION

- Veillez à ne pas toucher l'orifice de la lame du système de découpe automatique lorsque vous ouvrez le capot papier.
- La tête d'impression est très chaude immédiatement après l'impression. Veillez à ne pas la toucher avec vos mains.
- Ne touchez pas la tête d'impression à mains nues ou avec des objets métalliques.



Reportez-vous à **PRÉCAUTIONS DE MANIPULATION DE L'IMPRIMANTE**

## 4.3 Annulation de l'arrêt d'impression causé par un bourrage papier

Le capteur de bourrage papier détecte un bourrage papier à la sortie papier et arrête l'impression.

Utilisez la méthode suivante pour annuler un arrêt d'impression causé par un bourrage papier.

1. **Retirez tout papier coincé dans la sortie papier.**
2. **S'il ne peut pas être retiré, ouvrez le capot papier et retirez le papier.**

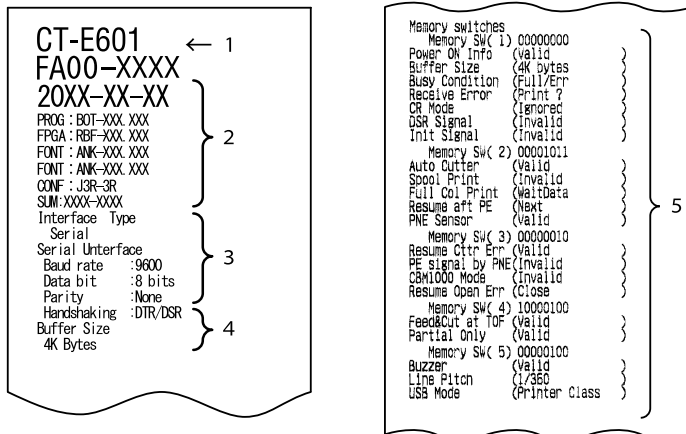
**3. Chargez du papier, fermez le capot papier et assurez-vous que le voyant PAPER LED est éteint.**

## 4.4 Auto-test

Vous pouvez utiliser l'auto-test pour vérifier les problèmes de l'imprimante.

### Exécution de l'auto-test

1. Pendant que du papier est chargé, maintenez enfoncée la touche FEED et mettez l'imprimante sous tension.
2. Maintenez enfoncée la touche FEED pendant une seconde jusqu'à ce que le signal sonore retentisse. Relâchez la touche pour démarrer l'auto-test. L'imprimante imprime son nom de modèle, la version, les réglages des commutateurs de mémoire et les polices intégrées.



- 1: Nom du type d'imprimante
- 2: Version du micrologiciel
- 3: Réglages de l'interface
- 4: Taille de la mémoire tampon
- 5: Réglages des commutateurs de mémoire

## 4.5 Impression d'un vidage hexadécimal

Imprimez les données reçues au format hexadécimal. Si des problèmes tels que des données manquantes ou des duplications de données se produisent, cette fonction permet de vérifier si l'imprimante reçoit ou non les données correctement.

### Comment réaliser l'impression d'un vidage hexadécimal

1. Chargez le papier.
2. Alors que le capot papier est ouvert, maintenez enfoncée la touche FEED tout en mettant l'imprimante sous tension. Maintenez enfoncée la touche FEED jusqu'à ce que le voyant POWER LED commence à clignoter, puis fermez le capot papier.
3. L'imprimante imprime « HEX dump print mode » suivi des données reçues sous forme de nombres hexadécimaux et de certains caractères.

### Comment arrêter l'impression d'un vidage hexadécimal

Procédez de l'une des manières suivantes pour arrêter l'impression.

- Appuyez sur la touche FEED trois fois de suite
- Mettez l'appareil hors tension
- Recevez une commande de réinitialisation d'une interface

#### Remarques

- S'il n'y a pas de caractère disponible correspondant aux données, « . » est imprimé à la place du caractère.
- Aucune commande ne fonctionne pendant l'impression d'un vidage hexadécimal.
- Si les données imprimées ne couvrent pas une ligne complète, appuyez sur la touche FEED pour faire avancer le papier.

Exemple d'impression

HEX dump print mode

```
61 62 63 64 65 66 67 0A 0D 0D 0D 0D abcdefg.....  
0D 0D 0D                                     .....
```

## 4.6 Indications d'erreur

- Fin de papier, fin de papier proche

La fin du rouleau de papier a été détectée à deux niveaux, fin de papier proche et fin de papier.

Lorsque la fin de papier proche est détectée, la PAPER LED clignote. Préparez un nouveau rouleau de papier.

Lorsque la fin de papier est détectée, la PAPER LED s'allume et le signal sonore retentit. Chargez un nouveau rouleau de papier. Les réglages du commutateur de mémoire peuvent être utilisés pour désactiver le signal sonore.

- Capot ouvert

Si le capot est ouvert, le voyant COVER LED s'allume et un signal sonore retentit.

Le signal sonore peut ne pas retentir selon le réglage du commutateur de mémoire.

N'ouvrez pas le capot pendant l'impression. Si le capot est accidentellement ouvert, le voyant COVER LED clignote. Vérifiez le papier, tirez quelques centimètres de papier bien droit hors de l'imprimante et refermez le capot. L'impression reprend. Une commande doit être envoyée pour reprendre l'impression selon le réglage du commutateur de mémoire.

- Erreur de découpe

Si le système de découpe automatique ne fonctionne pas en raison d'un bourrage papier ou autre, le voyant CUTTER LED clignote et le signal sonore retentit. Supprimez la cause du problème et appuyez sur la touche FEED. Si le système de découpe automatique ne fonctionne toujours pas et que le capot papier ne peut pas être ouvert, reportez-vous à « Correction d'une erreur de découpe ».



**Reportez-vous à 4.2 Correction d'une erreur de découpe**

- Arrêt de l'impression en raison d'un bourrage papier

Lorsqu'un bourrage papier se produit à la sortie papier, le voyant PAPER LED clignote et l'impression s'arrête.

Retirez le papier coincé et chargez le papier.


















**Reportez-vous à 4.3 Annulation de l'arrêt d'impression causé par un bourrage papier**

● Tête d'impression chaude

Quand vous imprimez des caractères denses, des images sombres, ou pendant une longue durée dans un environnement chaud, la température de la tête d'impression augmente. Si la tête d'impression dépasse une température spécifiée, l'imprimante s'arrête d'imprimer et attend que la tête d'impression refroidisse. Lorsque cela survient, la PAPER LED, CUTTER LED et la COVER LED clignotent. L'impression reprend automatiquement quand la tête d'impression a refroidi.

L'affichage de l'état pour divers messages est indiqué ci-dessous.

État	POWER LED	PAPER LED	CUTTER LED	COVER LED	SERVICE LED	Signal sonore*1
Fin de papier proche	Allumé		Éteinte	Éteinte	Éteinte	Non
Fin de papier	Allumé	Allumé	Éteinte	Éteinte	Éteinte	Oui*2
Capot ouvert*3	Allumé	Éteinte	Éteinte	Allumé	Éteinte	Oui*2
Capot ouvert II*4	Allumé	Éteinte	Éteinte		Éteinte	Oui*2
Système de découpe verrouillé	Allumé	Éteinte		Éteinte	Éteinte	Oui
Arrêt de l'impression en raison d'un bourrage papier	Allumé		Éteinte	Éteinte	Éteinte	Non
Erreur de basse tension	Allumé				Éteinte	Non
Erreur de haute tension	Allumé	Éteinte	Éteinte	Éteinte		Non
Erreur système	Allumé	Éteinte	Éteinte	Éteinte		Non
Erreur mémoire	Éteinte	Éteinte	Éteinte	Éteinte		Non
Tête d'impression chaude	Allumé				Éteinte	Non
Attente d'exécution d'une macro		Éteinte	Éteinte	Éteinte	Éteinte	Non
Réception de données		Éteinte	Éteinte	Éteinte	Éteinte	Non

Remarques:

\*1 Le signal sonore retentit quand MSW5-1 (réglage du signal sonore) est réglé sur ON.

\*2 MSW10-5 (cas de signal sonore) peut être configuré pour désactiver le signal sonore.

\*3 Indiqué lorsqu'un capot est ouvert pendant la mise en veille.

\*4 Indiqué lorsqu'un capot est ouvert pendant l'impression.



## 4.7 Bourrages papier

Veillez à ne pas bloquer la sortie du papier et à éviter le bourrage papier autour de la sortie pendant l'impression.

Si le papier ne peut pas sortir de l'imprimante, il risque de s'enrouler autour du cylindre à l'intérieur de l'imprimante et de provoquer une erreur.

Si le papier s'enroule autour du cylindre, ouvrez le capot papier et retirez le papier avec précaution.

## 4.8 Précautions relatives à l'impression avec des changements de vitesse d'impression

Lors de l'impression avec des changements de vitesse d'impression, des lignes blanches peuvent être imprimées ou le papier peut ne pas être alimenté en fonction des conditions d'impression. Pour éviter de tels problèmes, modifiez les réglages du commutateur de mémoire suivants.

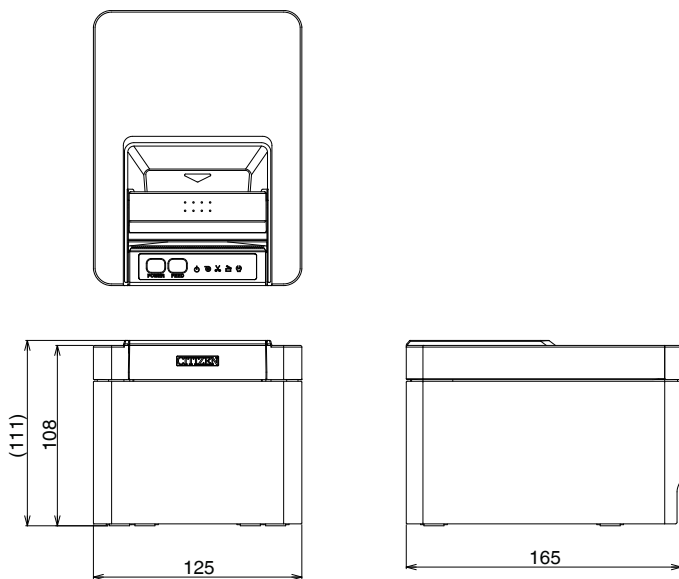
1. **Activez MSW2-3 (mise en mémoire tampon).**
2. **Augmentez la vitesse de transmission de MSW7-1 (vitesse de transmission en série).**
3. **Changez MSW10-2 (vitesse d'impression) à un niveau inférieur.**

Remarques
En fonction de la vitesse de transmission de l'interface série, de la température ambiante, de la responsabilité des données d'impression et d'autres facteurs, la modification des réglages ci-dessus peut ne pas éliminer les problèmes.

# 5. DIVERS

## 5.1 Vues et dimensions externes

(Unité : mm)

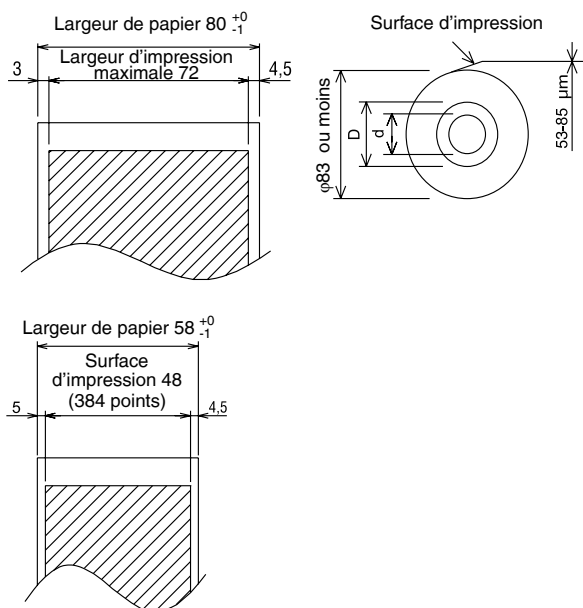


## 5.2 Papier d'impression

Utilisez le papier indiqué dans le tableau suivant ou un papier de qualité équivalente.

Type de papier	Nom du produit
Rouleau de papier thermique recommandé	TP50KR-2Y, TP50KJ-R, TL69KS-LH, TF50KS-E2D de Nippon Paper PD150R, PD160R, PD160R-63 d'Oji Paper HP220AB-1, P220AB de Mitsubishi Paper Mills KT48-FA de Koehler

(Unité : mm)



Épaisseur du papier ( $\mu\text{m}$ )	53 à 85
Diamètre intérieur du noyau d (mm)	$\varnothing 12$
Diamètre extérieur du noyau D (mm)	$\varnothing 18$

## Remarques

**Utilisez un papier thermique qui est enroulé de la façon suivante :**

- Non froissé et bien serré sur le noyau.
- Non plié.
- Non collé au noyau.
- Enroulé avec la face imprimable vers l'extérieur.

## 5.3 Réglage manuel des commutateurs de mémoire

Les commutateurs de mémoire sont utilisés pour définir divers réglages de l'imprimante. Les commutateurs de mémoire peuvent être réglés manuellement ou par des utilitaires ou des commandes. Cette section explique comment réaliser les réglages manuels.

Pour en savoir plus sur le réglage des commutateurs de mémoire, reportez-vous à la Référence des commandes.

### **Mode Quick setting**

Les réglages pour les commutateurs de mémoire pour le remplacement du fabricant d'imprimante, du modèle, de l'épaisseur papier et de l'espacement des caractères peuvent être définis en même temps aux réglages optimum.

Procédez aux réglages conformément aux éléments sélectionnés sur l'impression.

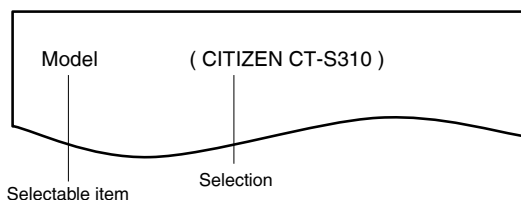
#### **1. Chargez le papier.**

#### **2. Alors que le capot papier est ouvert, maintenez enfoncée la touche FEED et mettez l'imprimante sous tension.**

#### **3. Appuyez à trois reprises sur la touche FEED et fermez le capot papier.**

L'imprimante entre en mode de réglage rapide du commutateur de mémoire.

L'élément sélectionnable «Model» et la sélection sont imprimés.



#### **4. Appuyez sur la touche FEED.**

Une sélection est imprimée dans l'ordre chaque fois que la touche FEED est enfoncée.

Appuyez sur la touche FEED jusqu'à ce que la sélection désirée soit imprimée.

#### **5. Appuyez sur la touche FEED pendant au moins deux secondes.**

La sélection est réglée.

S'il y a un autre élément sélectionnable, ce dernier et la sélection sont imprimés.

**6. Répétez les étapes 4 et 5 pour sélectionner et régler le modèle d'imprimante, l'épaisseur papier, l'espacement des caractères (EPSON T88 uniquement).**

Lorsque tous les éléments sont réglés, «Save To Memory» s'imprime.

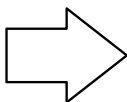
**7. Appuyez sur la touche FEED pendant au moins deux secondes.**

Les réglages du commutateur de mémoire modifiés sont enregistrés et une liste de ces derniers est imprimée.

L'imprimante quitte le mode de réglage rapide lorsque l'impression est terminée.

**Élément sélectionné**

Manufacturer	Paper width	Character space
CITIZEN CT-S310	58 mm	-
	80 mm	-
EPSON T88	58 mm	0 dot
		1 dot
	80 mm	0 dot
		1 dot
EPSON 203dpi	80 mm	-
	58 mm	-



**Réglages automatiques du commutateur de mémoire**

MSW2-4 Full Col Print	MSW3-7 CBM1000 Mode	MSW8-1 Print Width	MSW6-2 Character Space
WaitData	Invalid	384 dots	-
WaitData	Invalid	576 dots	-
WaitData	Invalid	360 dots	0 dot
WaitData	Invalid	390 dots	1 dot
WaitData	Invalid	512 dots	0 dot
WaitData	Invalid	546 dots	1 dot
WaitData	Invalid	576 dots	0 dot
WaitData	Invalid	420 dots	-

## Mode de réglage individuel

Réglez les commutateurs de mémoire individuellement.

Procédez aux réglages en vérifiant la fonction des commutateurs de mémoire et les réglages sur l'impression.

### 1. Chargez le papier.

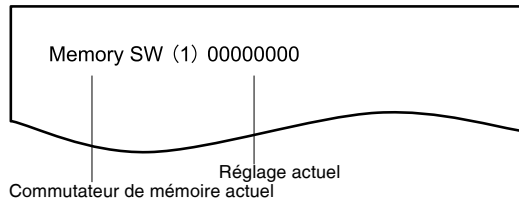
### 2. Alors que le capot papier est ouvert, maintenez enfoncée la touche FEED et mettez l'imprimante sous tension.

### 3. Appuyez deux fois sur la touche FEED et fermez le capot papier.

L'imprimante entre en mode de réglage individuel des commutateurs de mémoire.

L'imprimante imprime « Memory SW (1) » et le réglage actuel, 0 (OFF) ou 1 (ON).

(Les réglages actuels des commutateurs de mémoire de 7 à 13 ne sont pas imprimés.)



### 4. Appuyez sur la touche FEED.

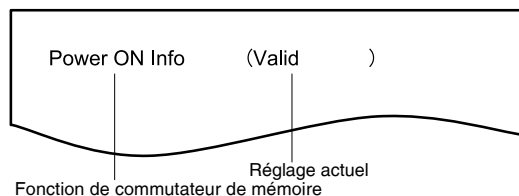
Chaque appui sur la touche FEED fait défiler la liste des commutateurs de mémoire dans l'ordre suivant : « Memory SW (1) » > « Memory SW (2) » > ... « Memory SW (11) » ou « Memory SW (13) » > « Save To Memory » > « Memory SW (1) ».

Appuyez sur la touche FEED jusqu'à ce que le numéro du commutateur de mémoire que vous souhaitez modifier soit imprimé.

### 5. Appuyez sur la touche FEED pendant au moins deux secondes.

Un réglage pour le commutateur de mémoire est imprimé, dans l'ordre de défilement, à chaque appui sur la touche FEED pendant au moins deux secondes.

Appuyez sur la touche FEED pendant au moins deux secondes pour faire défiler la liste jusqu'à ce que la fonction du commutateur de mémoire que vous souhaitez modifier soit imprimée.



#### 6. Appuyez sur la touche FEED.

Un réglage est imprimé à chaque appui sur la touche FEED dans l'ordre de défilement. Lorsque les réglages actuels sont imprimés, le voyant COVER LED s'allume. Appuyez sur la touche FEED jusqu'à ce que le réglage désiré soit imprimé.

#### 7. Appuyez sur la touche FEED pendant au moins deux secondes.

Les réglages sélectionnés sont définis. La fonction suivante du commutateur de mémoire et les réglages sont imprimés.

#### 8. Répétez les étapes de 5 à 7 pour changer différentes fonctions pour le numéro du commutateur de mémoire actuel.

#### 9. Ouvrez le capot papier et fermez-le.

Les réglages du commutateur de mémoire modifiés sont imprimés.

#### 10. Répétez les étapes de 4 à 9 pour changer les fonctions pour un numéro de commutateur de mémoire différent.

#### 11. Appuyez sur la touche FEED jusqu'à ce que « Save To Memory » soit imprimé.

#### 12. Appuyez sur la touche FEED pendant au moins deux secondes.

Les réglages du commutateur de mémoire modifiés sont enregistrés et une liste de ces derniers est imprimée.

L'imprimante quitte le mode de réglage individuel lorsque l'impression est terminée.

### **Initialisation des commutateurs de mémoire**

Réglez tous les commutateurs de mémoire aux réglages d'usine.

#### 1. Effectuez les étapes de 1 à 3 de la procédure pour entrer en mode de réglage individuel.

#### 2. Appuyez sur la touche FEED jusqu'à ce que « Save To Memory » soit imprimé.

#### 3. Ouvrez le capot papier.

#### 4. Appuyez sur la touche FEED pendant au moins deux secondes.

Tous les commutateurs de mémoire sont ramenés aux réglages d'usine.

#### 5. Fermez le capot papier.

La fonction de chaque commutateur de mémoire est indiquée dans le tableau suivant. (Les valeurs en gris correspondent aux réglages d'usine.)

N° de commutateur	Fonction	OFF	ON
MSW1-1	Power ON Info	Valid	Not Send



<b>N° de commutateur</b>	<b>Fonction</b>	<b>OFF</b>	<b>ON</b>
MSW1-2	Buffer Size	4K bytes	45 bytes
MSW1-3	Busy Condition	Full/Err	Full
MSW1-4	Receive Error	Print*?"	No Print
MSW1-5	CR Mode	Ignored	LF
MSW1-6	Reserved	Fixed	—
MSW1-7	DSR Signal	Invalid	Valid
MSW1-8	INIT Signal	Invalid	Valid
MSW2-1	Reserved	—	Fixed
MSW2-2	Auto Cutter	Invalid	Valid
MSW2-3	Spool Print	Invalid	Valid
MSW2-4	Full Col Print	LineFeed	WaitData
MSW2-5	Resume aft PE	Next	Top
MSW2-6	Reserved	Fixed	—
MSW2-7	Reserved	Fixed	—
MSW2-8	PNE Sensor	Valid	Invalid
MSW3-1	Resume Ctrr Err	Valid	Invalid
MSW3-2	PE signal by PNE	Valid	Invalid
MSW3-3	Reserved	Fixed	—
MSW3-4	Reserved	Fixed	—
MSW3-5	Reserved	Fixed	—
MSW3-6	Reserved	Fixed	—
MSW3-7	CBM1000 Mode	Invalid	Valid
MSW3-8	Resume Open Err	Close	Command
MSW4-1	Reserved	Fixed	—
MSW4-2	Reserved	Fixed	—
MSW4-3	Feed&Cut at TOF	Invalid	Valid
MSW4-4	Reserved	Fixed	—
MSW4-5	Reserved	Fixed	—
MSW4-6	Reserved	Fixed	—
MSW4-7	Reserved	Fixed	—
MSW4-8	Partial Only	Invalid	Valid
MSW5-1	Buzzer	Valid	Invalid
MSW5-2	Line Pitch	1/360	1/406
MSW5-3	USB Mode	Virtual COM	Printer Class
MSW5-4	Reserved	Fixed	—
MSW5-5	Reserved	Fixed	—
MSW5-6	Reserved	Fixed	—
MSW5-7	Reserved	Fixed	—
MSW5-8	Reserved	Fixed	—
MSW6-1	Act. For Driver	Invalid	Valid
MSW6-2	Character Space	Invalid	Valid
MSW6-3	USB Power Save	Invalid	Valid
MSW6-4	Reserved	Fixed	—
MSW6-5	Reserved	Fixed	—
MSW6-6	Reserved	Fixed	—
MSW6-7	USB Power@PW-OFF	Invalid	Valid
MSW6-8	Power ON trigger	Power switch ON	AC power input

N° de commutateur	Fonction	Initial setting	Setting value
MSW7-1	Baud Rate	9600 bps	1200 bps, 2400 bps, 4800 bps, 9600 bps, 19200 bps, 38400 bps, 57600 bps, 115200 bps
MSW7-2	Data Length	8bits	7bits, 8bits
MSW7-3	Stop Bit	1bit	1bit, 2bits
MSW7-4	Parity	NONE	NONE, ODD, EVEN
MSW7-5	Flow Control	DTR/DSR	DTR/DSR, XON/XOFF
MSW7-6	DMA Control	Valid	Valid, Invalid
MSW7-7	VCom Protocol	PC Setting	PC Setting, DTR/DSR, XON/XOFF
MSW8-1	Print Width	576 dots	576 dots, 546 dots, 512 dots, 420 dots, 390 dots, 384 dots, 360 dots
MSW8-3	Top Margin	12 mm	2 mm, 3 mm, 4 mm, 5 mm, 6 mm, 7 mm, 8 mm, 9 mm, 10 mm, 11 mm, 12 mm
MSW8-4	Line Gap Reduce	Invalid	Invalid, 3/4, 2/3, 1/2, 1/3, 1/4, 1/5, ALL
MSW8-5	Reduced Char V/H	100% / 100%	100% / 100%, 75% / 100%, 50% / 100%, 100% / 75%, 75% / 75%, 50% / 75%
MSW8-6	Auto Side Shift	Invalid	Invalid, 1 dot, 2 dots, 3 dots, 4 dots, 5 dots, 6 dots, 7 dots
MSW9-1	Code Page	PC437	PC 437, Katakana, PC 850, PC 858, PC 860, PC 863, PC 865, PC 852, PC 866, PC 857, WPC1252, Space page, PC 864, ThaiCode11 1Pass, ThaiCode11 3Pass, ThaiCode18 1Pass, ThaiCode18 3Pass, TCVN-3, WPC1258
MSW9-2	Int'Char Set	U.S.A	USA, France, Germany, England, Denmark, Sweden, Italy, Spain, Japan, Norway, Denmark 2, Spain 2, Latin America, Korea, Croatia, China, Vietnam
MSW9-4	Kanji code	Invalid	Disabled, JIS (Japan), SJIS: CP932 (Japan), SJIS: X0213 (Japan), GB18030 (China), KS Hangul (South Korea), EUC Hangul (South Korea), BIG5-HKSCS
MSW10-1	Print Density	100 %	70 %, 75 %, 80 %, 85 %, 90 %, 95 %, 100 %, 105 %, 110 %, 115 %, 120 %, 125 %, 130 %, 135 %, 140 %
MSW10-2	Print Speed	Level 9	Level 1, Level 2, Level 3, Level 4, Level 5, Level 6, Level 7, Level 8, Level 9
MSW10-4	Old Command	Invalid	Invalid, CBM1, CBM2
MSW10-5	Buzzer Event	Not By C. Open	All Event/Error, Not by C.Open, Not by C.Open/PE
MSW10-6	Buzzer Sound	Tone 2	Tone 1, Tone 2, Tone 3, Tone 4
MSW13-1	Security/Target	Low/All	Low/All, Mid/All, Mid/Paired only, Hi/All, Hi/Paired only
MSW13-5	BT Device Scan	Discoverable	No Response, Discoverable
MSW13-6	Auto Reconnect	Valid	Invalid, Valid

**DEUTSCH**

## ALLGEMEINE VORSICHTSMASSNAHMEN

- Lesen Sie sich das vorliegende Benutzerhandbuch sorgfältig durch, bevor Sie das Gerät verwenden. Bewahren Sie das Handbuch danach an einem sicheren, leicht zugänglichen Ort auf, um bei Bedarf darauf zurückgreifen zu können.
- Der Hersteller behält sich vor, die hierin enthaltenen Informationen ohne vorherige Ankündigung zu ändern.
- Jegliche Reproduktion und Weitergabe von Teilen oder der Gesamtheit des Dokuments ohne vorherige Genehmigung von Citizen Systems ist untersagt.
- Beachten Sie, dass Citizen Systems jegliche Haftung für Folgen aus dem Betrieb des Geräts unabhängig von im vorliegenden Handbuch enthaltenen Auslassungen, Fehlern oder Druckfehlern ausschließt.
- Beachten Sie, dass Citizen Systems keine Haftung für jegliche Störungen übernimmt, die infolge der Verwendung von in diesem Handbuch nicht autorisierten Zubehörteilen oder Verbrauchsmaterialien entstehen.
- Mit Ausnahme der in diesem Handbuch genannten Fälle darf das Gerät nicht selbst gewartet, zerlegt oder repariert werden.
- Beachten Sie, dass Citizen Systems keine Haftung für jegliche Störungen übernimmt, die infolge von unsachgemäßer Verwendung oder nicht geeigneter Betriebsumgebungen auftreten, auch wenn in diesem Handbuch nicht darauf hingewiesen wird.
- Daten sind im Allgemeinen für einen temporären Gebrauch vorgesehen und werden nicht über einen ausgedehnten Zeitabschnitt oder dauerhaft gespeichert. Beachten Sie, dass Citizen Systems jegliche Haftung für Schäden oder entgangene Verluste ausschließt, die aus Datenverlusten infolge von unvorhergesehenen Ereignissen, Reparaturen, Tests oder sonstigen Umständen entstehen.
- Wenn Ihnen Auslassungen oder Fehler auffallen oder Sie Fragen haben, wenden Sie sich an Ihren Citizen Systems-Händler.
- Wenn Ihnen fehlende oder falsch sortierte Seiten auffallen, wenden Sie sich zwecks Ersatz an Ihren Citizen Systems-Händler.

Die Verwendung der „Made for Apple“-Plakette bedeutet, dass ein Zubehör spezifisch für die auf der Plakette angegebenen Apple-Produkte ausgelegt ist und vom Entwickler als die Apple-Leistungsstandards erfüllend zertifiziert wurde.

Apple ist nicht für den Betrieb dieses Geräts oder seine Konformität mit Sicherheits- und gesetzlichen Standards verantwortlich.

Beachten Sie bitte, dass die Verwendung dieses Zubehörs mit einem Apple-Produkt die Wireless-Leistung beeinträchtigen könnte.

- Apple, Apple TV, Apple Watch, iPad, iPad Air, iPad Pro, iPhone, and Lightning are trademarks of Apple Inc., registered in the U.S. and other countries. tvOS is a trademark of Apple Inc. The trademark "iPhone" is used in Japan with a license from iPhone K.K.
- EPSON und ESC/POS sind eingetragene Marken der Seiko Epson Corporation.
- QR Code ist eine eingetragene Marke der DENSO WAVE INCORPORATED.
- Ethernet ist eine eingetragene Marke der Fuji Xerox Corporation.
- Bluetooth® ist eine eingetragene Marke der Bluetooth-SIG Inc.
- CITIZEN ist eine eingetragene Marke der Citizen Watch Co., Ltd.
- Alle anderen Marken sind das Eigentum ihrer jeweiligen Inhaber.
- Citizen Systems verwendet diese Marken gemäß den Lizenzen der entsprechenden Inhaber.

Copyright© CITIZEN SYSTEMS JAPAN CO., LTD. 2021

# SICHERHEITSMASSNAHMEN...DIE SIE STRIKT EINHALTEN MÜSSEN

Lesen Sie sich vor der erstmaligen Verwendung des Produkts die SICHERHEITSMASSNAHMEN sorgfältig durch. Falsche Handhabung kann zu Unfällen führen (Brände, elektrische Schläge oder Verletzungen).

Um Verletzungen von Benutzern und Dritten sowie materielle Schäden zu vermeiden, werden im Handbuch spezielle Warnsymbole verwendet, die auf wichtige Informationen hinweisen.

- Bewahren Sie das Handbuch danach an einem sicheren, leicht zugänglichen Ort auf, um bei Bedarf darauf zurückgreifen zu können.
- Einige der im Handbuch enthaltenen Beschreibungen sind möglicherweise für Ihr Druckermodell nicht von Bedeutung.

Nachstehend wird der Grad der Gefahren und Schäden beschrieben, die bei unsachgemäßem Betrieb des Druckers oder Nichtbeachtung der durch die Warnsymbole gekennzeichneten Hinweise entstehen können. Lesen Sie diese Informationen unbedingt sorgfältig.



## WARNUNG

Bei Nichtbeachtung derartig gekennzeichneten Informationen kann es zu schweren oder tödlichen Verletzungen kommen.



## VORSICHT

Die Nichtbeachtung von mit diesem Symbol gekennzeichneten Informationen kann zu Verletzungen oder materiellen Schäden führen.



Dieses Symbol wird verwendet, um Sie auf wichtige Informationen aufmerksam zu machen.



Dieses Symbol weist auf Gefahren durch elektrische Schläge und mögliche Schäden durch statische Elektrizität hin.



Dieses Symbol weist darauf hin, dass der Netzstecker des Geräts zu ziehen ist.



Dieses Symbol weist darauf hin, dass die Spannungsversorgung geerdet sein muss.



Dieses Symbol wird verwendet, um nützliche Informationen, wie Verfahren oder Anweisungen zur Benutzung hervorzuheben.



Dieses Symbol dient zur Warnung vor unzulässigen Eingriffen.

# VORSICHTSMASSNAHMEN BEIM AUFSTELLEN DES DRUCKERS

## **WARNUNG**

### ■ Verwenden und lagern Sie das Gerät nicht an Orten, an denen es folgenden Einflüssen ausgesetzt ist:

- \* Flammen oder hohe Luftfeuchtigkeit.
- \* Direkte Sonneneinstrahlung.
- \* Heißluftströme oder Abwärme von Heizgeräten.
- \* Salzige Luft oder korrosive Gase.
- \* Unzureichende Belüftung.
- \* Chemische Reaktionen in Laboren.
- \* Ölnebel, Stahlpartikel oder Staub.
- \* Statische Elektrizität oder starke Magnetfelder.



### ■ An diesen Orten besteht die Gefahr einer Druckerbeschädigung sowie eines Ausfalls des Druckers, Überhitzung sowie Rauch, Feuer oder elektrischen Schlägen.

Dort kann es zudem zu Feuer oder elektrischen Schlägen kommen, weshalb diese Orte immer zu vermeiden sind.

### ■ Keine Gegenstände in den Drucker einführen. Keine Flüssigkeiten in den Drucker spritzen. Keine Gegenstände auf dem Drucker ablegen.

### ■ Lassen Sie keine Metallgegenstände wie Büroklammern, Heftklammern oder Schrauben in den Drucker fallen.

### ■ Stellen Sie keine Blumenvasen, Töpfe oder sonstige Behälter mit Flüssigkeiten auf dem Drucker ab.

### ■ Achten Sie darauf, dass keine Getränke oder sonstigen Flüssigkeiten in den Drucker geraten.

### ■ Keine Insektenvertilgungsmittel oder sonstige Chemikalien auf den Drucker sprühen.

### ■ Wenn metallische Fremdkörper in den Drucker fallen, kann dies einen Ausfall des Druckers, Feuer oder Stromschläge verursachen.

In derartigen Fällen ist der Drucker sofort abzuschalten und vom Netz zu trennen. Wenden Sie sich an Ihren örtlichen Citizen Systems-Händler.







## WARNUNG

### ■ Gehen Sie stets sachgemäß mit dem Drucker um:

- Setzen Sie den Drucker keinen heftigen Stößen oder starken Erschütterungen aus (z. B. durch Darauftreten, Fallenlassen oder Schlägeinwirkungen).
- Den Drucker nicht demontieren oder sonstig modifizieren.



### ■ Bei diesen Aktionen besteht die Gefahr einer Druckerbeschädigung sowie eines Ausfalls des Druckers, Überhitzung sowie Rauch, Feuer oder elektrischen Schlägen.



Sie können zudem Feuer oder Stromschläge verursachen und sind daher immer zu vermeiden.

**Dieses Gerät ist nicht zur Nutzung in der Präsenz von Kindern geeignet. Installieren, lagern oder nutzen Sie dieses Gerät außerhalb der Reichweite von Kindern.**



- Von elektrischen Geräten können bei unsachgemäßer Handhabung oder Verwendung Unfall- und Verletzungsrisiken ausgehen.
- Achten Sie darauf, dass sich das Netzkabel und die Signalkabel außerhalb der Reichweite von Kindern befinden. Der Drucker ist so aufzustellen, dass Kinder keinen Zugang zum Geräteinnern erlangen können.
- Die Kunststoffhülle, in der sich der Drucker bei der Lieferung befindet, ist ordnungsgemäß zu entsorgen oder außerhalb der Reichweite von Kindern aufzubewahren. Wenn die Hülle über den Kopf gezogen wird, besteht Erstickengefahr.

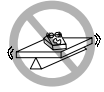


## VORSICHT

Unter folgenden Bedingungen darf der Drucker nicht verwendet werden:

- Standorte, die Vibrationen ausgesetzt oder instabil sind.
- Standorte, an denen keine ebene Aufstellung des Druckers möglich ist:
  - ◆ **Der Drucker kann herunterfallen und Verletzungen verursachen.**
  - ◆ **Die Druckqualität kann sich verschlechtern.**
- Die Belüftungsöffnungen des Druckers nicht abdecken.
- Keine Gegenstände auf den Drucker stellen oder legen.
- Den Drucker nicht mit Tüchern oder Decken abdecken oder einhüllen.
  - ◆ **Der entstehende Wärmestau könnte Gehäuseverformungen verursachen oder einen Brand entstehen lassen.**
- Stellen Sie den Drucker nicht in der Nähe von Rundfunk- oder Fernsehempfängern auf und schließen Sie ihn nicht an dieselbe Netzsteckdose an wie diese Geräte.
- Vermeiden Sie es, den Drucker über nicht abgeschirmte Kabel oder Leitungen zu betreiben.

(Verwenden Sie für die Signalleitungen abgeschirmte Kabel oder verdrehte Doppelkabel mit Ferritkernen oder andere Abschirmverfahren.)
- Benutzen Sie den Drucker nicht zusammen mit Geräten, die starke Störstrahlung abgeben.
  - ◆ **Der Drucker kann den Radio- oder Fernsehempfang in der Umgebung beeinträchtigen. Es besteht auch die Möglichkeit, dass benachbarte elektrische Geräte den Drucker beeinflussen und dadurch Datenfehler oder Funktionsstörungen auftreten.**
- Installation in einer anderen Ausrichtung als vorgeschrieben.
  - ◆ **Andernfalls besteht die Gefahr von Fehlfunktionen, Ausfällen oder Stromschlag.**





## VORSICHT

■ **Der Drucker muss mit einem Erdungsanschluss verbunden werden.**

- Erdschlüsse können elektrische Schläge verursachen.

■ **Schließen Sie die Erdung des Druckers nicht an folgende Gegenstände an:**

\* Gasleitungen

- Andernfalls besteht die Gefahr von Gasexplosionen.

\* Erdungen von Telefonleitungen

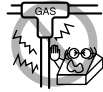
\* Blitzableiter

- Andernfalls besteht bei Blitzschlägen durch Spannungsspitzen Brand- oder Stromschlaggefahr.

\* Wasserleitungen

- Wasserleitungen aus Kunststoff sind zur Erdung nicht geeignet. (sofern keine Zustimmung der zuständigen Wasserwerke vorliegt).

■ **Ziehen Sie vor dem Anschließen oder Trennen des Drucker-Erdungsleiters stets den Netzstecker des Geräts.**



# VORSICHTSMASSNAHMEN BEI DER HANDHABUNG DES DRUCKERS

## **WARNUNG**

**Beachten Sie die nachstehenden Vorsichtsmaßnahmen zur Stromversorgung und zum Netzkabel:**

- Den Netzstecker nicht mit feuchten Händen anschließen oder ziehen.
- Betreiben Sie den Drucker ausschließlich mit der angegebenen Netzspannung und -frequenz.
- Verwenden Sie für den Drucker ausschließlich das angegebene externe Netzteil.
- Verwenden Sie ausschließlich das mit dem Drucker mitgelieferte Netzkabel und niemals das Netzkabel eines anderen Geräts.
- Stellen Sie sicher, dass die Netzsteckdose, an die der Drucker angeschlossen ist, eine ausreichende Belastbarkeit aufweist.
- Verwenden Sie zur Stromversorgung keine Anschlussleisten oder Mehrfachsteckdosen, an die gleichzeitig auch andere Geräte angeschlossen sind.
- Säubern Sie den Netzstecker vor dem Anschließen an eine Steckdose von Staub und anderen Ablagerungen.
- Verwenden Sie keine verformten oder beschädigten Netzkabel.
- Bewegen Sie den Drucker nicht in eingeschaltetem Zustand.

- ◆ **Eine unsachgemäße Handhabung kann zum Ausfall des Druckers, zu Brand- und Rauchentwicklung oder elektrischen Schlägen führen.**
- ◆ **Bei Überlastung kann sich das Netzkabel überhitzen und in Brand geraten oder der Schutzschalter ausgelöst werden.**

- Stellen Sie keine Gegenstände auf das Netzkabel. Stellen Sie den Drucker so auf, dass nicht auf das Netzkabel getreten wird.
- Das Netzkabel darf nicht übermäßig verbogen, gedreht oder daran gezogen werden. Tragen Sie das Produkt zudem nicht, wenn es sich in einem solchen Zustand befindet.
- Versuchen Sie nicht, das Netzkabel zu modifizieren.
- Bringen Sie das Netzkabel nicht in die Nähe von Heizgeräten.

- ◆ **Die Nichtbeachtung dieser Vorsichtsmaßnahmen kann Aderbrüche oder Beschädigungen der Isolierung zur Folge haben, wodurch die Gefahr von Kriechströmen, elektrischen Schlägen oder Fehlfunktionen des Druckers besteht.**

**Wenn das Netzkabel beschädigt wurde, wenden Sie sich bitte an Ihren Citizen-Systems-Händler.**





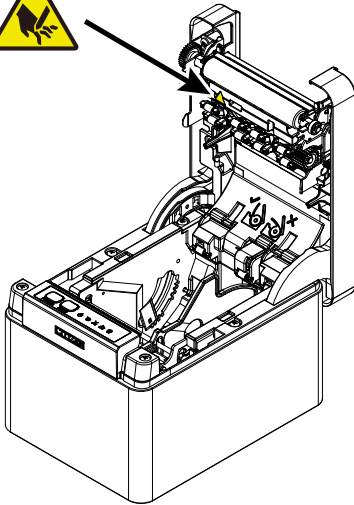
## WARNUNG

- Achten Sie darauf, dass der Zugang zu der verwendeten Steckdose nicht durch abgestellte Gegenstände behindert wird.
- Versorgen Sie den Drucker über eine günstig platzierte Steckdose, die im Notfall schnell erreichbar ist.
  - ◆ **Ziehen Sie in einem Notfall zur schnellen Abschaltung den Netzstecker.**
- Stecken Sie den Netzstecker ordnungsgemäß in die Steckdose.
- Ziehen Sie bei längerer Nichtbenutzung des Druckers den Netzstecker aus der Steckdose.
- Nach dem Abschalten des Druckers und des daran angeschlossenen Geräts beim Trennen des Netzkabels oder der Signalleitung den Stecker und den Anschluss greifen.

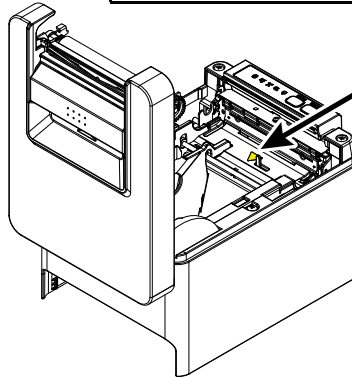


## VORSICHT

Der Warnaufkleber befindet sich an der in der unten stehenden Zeichnung gezeigten Position. Lesen Sie die Vorsichtsmaßnahmen sorgfältig durch, bevor Sie den Drucker in Betrieb nehmen.



Diese Aufkleber weisen darauf hin, dass der Druckkopf heiß wird und beim Berühren Verbrennungen verursachen kann. Zudem besteht die Gefahr von Schnittverletzungen an den Händen, wenn der automatische Papierschneider beim Öffnen der Papierabdeckung berührt wird.



**Transportieren Sie diesen Drucker nicht mit eingesetzter Papierrolle.**

- Es besteht die Gefahr von Fehlfunktionen oder Schäden am Drucker.

**Beachten Sie die folgenden Hinweise, um Fehlfunktionen zu vermeiden.**

- Die Papierabdeckung darf während des Druckens nicht geöffnet werden.
- Den Drucker nicht mit nicht ordnungsgemäß eingesetzter Papierrolle verwenden.
- Kein Papier verwenden, das nicht den Spezifikationen entspricht.
  - ◆ **Mögliche Beeinträchtigung der Druckqualität.**
- Verwenden Sie kein eingerissenes oder mit Klebestreifen zusammengefügttes Papier.
- Nicht mit der Hand gewaltsam am bereits eingesetzten Papier ziehen.
- Betätigen Sie die Tasten des Bedienungsfelds nicht mit spitzen Gegenständen.





## VORSICHT

■ **Achten Sie darauf, dass die Kabelstecker fest in die zugehörigen Buchsen eingesteckt sind.**

- Bei Querschaltung kann es zu Beschädigungen der Druckerelektronik oder der Hardware des Host-Systems kommen.

■ **Schließen Sie den Drucker mit Geldlade-Kickout-Funktion ausschließlich an Geräte an, die ein Solenoid mit für die Geldlade-Kickout-Buchse geeigneten technischen Daten besitzen.**

- Bei Nichtbeachtung dieser Vorsichtsmaßnahme können Funktionsfehler und Störungen auftreten.



**Beachten Sie die folgenden Hinweise, um bei Ausfällen des Geräts Verletzungen und Beschädigungen zu vermeiden:**

- Die Druckoberfläche des Thermkopfes nicht berühren.
- Berühren Sie während des Druckerbetriebs keine beweglichen Teile im Inneren des Druckers (z. B. Papierschneider, Zahnräder und aktive elektrische Bauteile).
- Versuchen Sie nicht, den Drucker bei etwaigen Problemen selbst zu reparieren. Verständigen Sie den Citizen Systems-Kundendienst.
- Achten Sie darauf, sich an der Druckerabdeckung nicht die Hände oder Finger einzuklemmen.
- Achten Sie auf die scharfen Kanten am Drucker. Sie können Verletzungen verursachen oder andere Gegenstände beschädigen.

◆ **Hier besteht Stromschlag-, Verbrennungs- und Verletzungsgefahr.**



Falls beim Drucken Rauch, ungewöhnliche Gerüche oder Geräusche entstehen, brechen Sie den Druckvorgang sofort ab und ziehen Sie den Netzstecker aus der Steckdose.

## TÄGLICHE WARTUNG

**Beachten Sie bei der täglichen Wartung die folgenden Vorsichtsmaßnahmen:**

- Vor dem Reinigen schalten Sie stets den Drucker aus und ziehen Sie den Netzstecker.
- Wischen Sie Schmutz und Staub auf der Oberfläche des Gehäuses mit einem weichen, trockenen Tuch ab.  
Bei starker Verschmutzung wischen Sie das Gehäuse mit einem mit Wasser angefeuchteten und stark ausgewringenen Geschirrtuch ab.  
Verwenden Sie niemals organische Lösungsmittel wie Verdünnern, Trichlorethylen, Benzol, Keton usw. oder chemisch behandelte Tücher.
- Zum Entfernen von Papierstaub einen weichen Pinsel verwenden.



## VORSICHT

**Unmittelbar nach dem Drucken ist der Thermokopf sehr heiß, sodass Verbrennungsgefahr besteht.**

**Warten Sie vor der Durchführung von Wartungsarbeiten ab, bis der Thermokopf abgekühlt ist.**



# INHALTSVERZEICHNIS

<b>1. ALLGEMEINE ÜBERSICHT .....</b>	<b>195</b>
1.1 Funktionen .....	195
1.2 Auspacken .....	197
1.3 Modellklassifizierung .....	198
1.4 Grundlegende technische Daten .....	198
<b>2. ERLÄUTERUNG DER DRUCKERKOMPONENTEN .....</b>	<b>201</b>
2.1 Ansicht des Druckers .....	201
2.2 Unter der Papierabdeckung .....	204
2.3 Weitere integrierte Funktionen .....	206
<b>3. EINRICHTUNG .....</b>	<b>208</b>
3.1 Anschließen des Netzkabels .....	208
3.2 Serielle Schnittstellenkarte .....	209
3.3 USB-Schnittstelle .....	211
3.4 Bluetooth-Schnittstellenkarte .....	212
3.5 Bluetooth-USB-Host-Schnittstellenkarte .....	217
3.6 Ethernet (LAN)/WLAN-Schnittstellenkarte .....	225
3.7 Lightning-USB-Host-Schnittstellenkarte .....	233
3.8 USB-Stromanschluss .....	239
3.9 Anschließen der Geldlade .....	241
3.10 Hinweise zum Installieren des Druckers .....	243
3.11 Einstellen des Papiermengen-Sensors .....	244
3.12 Einlegen von Papier .....	245
3.13 Trennvorrichtung für 58 mm breite Papierrollen .....	248
3.14 Anbringen der Kabelabdeckung .....	250
3.15 Vorsichtshinweise für die Erstellung von Anwendungen und praktische Nutzung .....	251
3.16 Download-Website für verschiedene elektronische Dateien .....	251
<b>4. WARTUNG UND FEHLERBEHEBUNG .....</b>	<b>252</b>
4.1 Regelmäßige Reinigung .....	252
4.2 Beheben eines Cutterfehlers .....	254
4.3 Aufheben des Druckstopps, der durch einen Papierstau verur- sacht wurde .....	254
4.4 Selbsttest .....	256
4.5 Hexdump-Ausdruck .....	257

4.6	Fehleranzeige .....	258
4.7	Papierstau .....	260
4.8	Vorsichtshinweise beim Drucken mit sich ändernder Druckgeschwindigkeit .....	260
<b>5.</b>	<b>SONSTIGES .....</b>	<b>261</b>
5.1	Äußere Ansicht und Abmessungen .....	261
5.2	Druckpapier .....	262
5.3	Manuelle Einstellung von Speicherschaltern .....	264

# 1. ALLGEMEINE ÜBERSICHT

Die Modelle CT-E601 sind Thermo-Zeilendrucker, die sich für verschiedene Terminallösungen eignen, darunter Daten-, POS- und Küchenterminals.

Diese Geräte besitzen umfassende Funktionen und können in einer Vielzahl von Anwendungsbereichen eingesetzt werden.

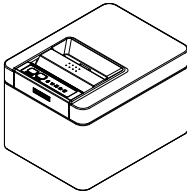
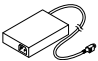
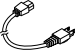
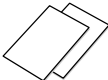
## 1.1 Funktionen

- Hochgeschwindigkeitsdruck bis zu 350 mm/s möglich
- Für die Außenseite wird ein mit Silberionen gemischter Kunststoff verwendet
- Stilvolles Design
- Kompakte Größe mit geringstmöglicher Höhe
- Unterstützt eine Papierbreite von 80 mm und 58 mm
- Hochgeschwindigkeits-Papierschneider
- Ausgerüstet mit einem Druckstoppsensor bei Papierstau
- Ausgerüstet mit einer Papierglättungsfunktion
- USB-Schnittstelle im Lieferumfang enthalten
- Mit einer Standard-USB-Stromanschluss ausgerüstet
- Energiesparfunktion (ENERGY STAR-konform)
- Austauschbare Schnittstellenkarte
- XML/Web-Druckfunktion im Lieferumfang enthalten (verkabeltes oder drahtloses LAN-Modell)
- USB-Host-Funktion zur Steuerung der mitgelieferten Peripheriegeräte (verdrahtetes LAN-, Bluetooth- oder Lightning-USB-Host-Modell)
- Beim Lightning-Modell können Daten auch während des schnellen Ladevorgangs von Apple-Geräten übertragen werden
- Fünf LEDs zur Druckerstatus- und Fehleranzeige
- Eingebaute Geldlade-Kickout-Schnittstelle
- USB-verknüpfte Ausschaltfunktion verfügbar
- 16-stufige Graustufen und klarer Druck
- Papiersparfunktion verfügbar
- Unterstützung für die dritte und vierte Ebene der Kanji-Zeichensätze JIS X0213
- Unterstützung für vereinfachte und traditionelle chinesische Zeichensätze und Hangul-Zeichensätze

- Unterstützung für UTF-8-Befehle
- Verschiedene individuelle Einstellungen über die Speicherschalter möglich
- Vom Benutzer definierte Sonderzeichen und Logos können im Benutzerspeicher gespeichert werden
- Unterstützung für Barcodes einschließlich 2D-Barcodes
- Apple MFi-zertifizierte Bluetooth- und USB-Kommunikationsunterstützung (Lightning) (Bluetooth-Modell, Lightning-Modell)

## 1.2 Auspacken

Vergewissern Sie sich beim Auspacken des Druckers, dass alle nachstehend aufgeführten Komponenten vorhanden sind:

NAME	MENGE	ABBILDUNG
Drucker	1	
Netzteil (37AD5)	1	
Netzkabel	1	
Kurzanleitung	2	

## 1.3 Modellklassifizierung

Die Modellbezeichnungen geben die Funktionsausstattung der Druckermodelle nach dem folgenden Schema an:

**CT - E601 RS E - BK**  
          1      2      3      4

1: Modellname

2: Schnittstelle

RS: Seriell, RS-232C+USB

ET: Ethernet+USB

HET: Ethernet (USB-Host-Funktion) + USB

BT: Bluetooth+USB

HBT: Bluetooth (USB-Host-Funktion)

WF: WLAN+Ethernet+USB

LT: Lightning (USB-Hostfunktion) + USB

NN:USB

3: Markt

U: Nordamerika

E: Europa

4: Gehäusefarbe

WH: Reines Weiß

BK: Schwarz

Einige Kombination sind eventuell nicht verfügbar. Wenden Sie sich vorab an uns.

## 1.4 Grundlegende technische Daten

Merkmal	Technische Daten
Modell	CT-E601
Druckverfahren	Thermo-Zeilenpunktdruck
Druckbreite	72 mm/576 Punkte, 68,25 mm/546 Punkte, 64 mm/512 Punkte, 52,5 mm/420 Punkte, 48,75 mm/390 Punkte, 48 mm/384 Punkte, 45 mm/360 Punkte, Werkseinstellung 72 mm
Punktdichte	8 × 8 Punkte/mm (203 dpi)

<b>Merkmal</b>	<b>Technische Daten</b>			
Druckgeschwindigkeit	350 mm/s (max. Geschwindigkeit, Druckdichte 100 %, 2800 Punktzeilen/s)			
Anzahl Druckspalten *1	Schrift	Maximale Anzahl der Zeichen (Spalten) / 80 mm	Maximale Anzahl der Zeichen (Spalten) / 58 mm	Punktfiguration (Punkte)
	Schrift A	48	35	12 x 24
	Schrift B	64	46	9 x 24
	Schrift C	72	52	8 x 16
Zeichengröße *2	Schrift A: 1,50 x 3,00 mm, Schrift B: 1,13 x 3,00 mm, Schrift C: 1,00 x 2,00 mm			
Zeichentyp	Alphanumerische Zeichen, internationale Zeichen, PC437/850/852/857/858/860/863/864/865/866, WPC1252, WPC1258, Katakana, ThaiCode 11/18 (1Pass/3Pass), TCVN-3, Kanji (JIS erste, zweite, dritte und vierte Ebene), Kana, erweiterte Zeichen, JIS X0213, GB18030, BIG5, KS Hangul, EUC Hangul			
Benutzerspeicher	384 KB (zum Speichern von benutzerdefinierten Zeichen und Logos)			
Strichcode-Typen	UPC-A/E, JAN (EAN) 13 Ziffern/8 Ziffern, ITF, CODE39, CODE128, CODABAR (NW-7), CODE93, PDF417, QR Code, GS1-DataBar			
Zeilenabstand	4,25 mm (1/6 Zoll) (per Befehl veränderbar)			
Papierrolle	Papierrolle: 80 mm x max. ø83 mm Papierstärke: 53 bis 85 µm (Kernrohr-Durchmesser: innen 12 mm / außen 18 mm)			
Schnittstelle	Seriell (RS-232C-Standard), USB, Bluetooth + USB, LAN, WLAN + LAN, LAN (USB-Host-Funktion) (USB 2-Anschluss)), Bluetooth (USB-Host-Funktion) (USB 2-Anschluss)), Lightning (USB-Host-Funktion (USB 3-Anschluss))			
Ethernet	100BASE-TX/10BASE-T			
WLAN	IEEE802.11n, IEEE802.11a, IEEE802.11g, IEEE802.11b			
Bluetooth	Version: Bluetooth 3.0 + EDR Profil: SPP (Serial Port Protocol), iAP (iPod Accessory Protocol) Leistungsklasse: Klasse2			
Bluetooth (USB-Host-Funktion)	Version: Bluetooth 4.2 + EDR Profil: SPP (Serial Port Protocol), iAP2 (iPod Accessory Protocol) Leistungsklasse: Klasse2			
USB-Stromanschluss	Max. 2,1 A			
Geldlade-Kickout-Funktion	2 Fächer werden unterstützt			
Eingangspuffer	4 kByte / 45 Byte			
Versorgungsspannung	24 V Gleichspannung ±5 %			
Leistungsaufnahme	Ungefähr. 50 W (beim Drucken), ca. 1 W (im Standby-Modus), ca. 0,3 W (bei ausgeschaltetem Gerät)			
Netzteil (37AD5)	Nenneingangsspannung: 100 bis 240 V Wechselstrom, 50/60 Hz, 150 VA Nennausgangsspannung: 24 V Gleichstrom, 2,1 A			
Gewicht	Ca. 1,2 kg			
Äußere Abmessungen	125 (B) x 165 (T) x 108 (H) mm			
Betriebstemperatur und Luftfeuchtigkeit	5 bis 45 °C, 10 bis 90 % relative Luftfeuchtigkeit (nicht kondensierend)			
Lagertemperatur und Luftfeuchtigkeit	-20 bis 60 °C, 10 bis 90 % relative Luftfeuchtigkeit (nicht kondensierend)			
Zuverlässigkeit	Lebensdauer Druckkopf: 200 km, 200 Millionen Impulse (Raumtemperatur/-luftfeuchtigkeit, empfohlene Papiersorte und -stärke), Lebensdauer automatischer Papierschneider: 2 Millionen Schnitte (3-Zoll), 1,5 Million Schnitte (2-Zoll) (Raumtemperatur/-luftfeuchtigkeit, empfohlene Papiersorte und -stärke)			
Sicherheitsstandard *3	UL, FCC Klasse A, CE-Kennzeichnung			

Hinweise:

\*1 Die Anzahl der druckbaren Spalten wird per Speicherschalter eingestellt.

Die Spaltenangaben in dieser Tabelle beziehen sich auf ein typisches Modell. Die Anzahl der druckbaren Spalten ist je nach Druckerspezifikation unterschiedlich.

\*2 Da die angegebene Zeichengröße jeweils einen Leerbereich beinhaltet, sieht das tatsächliche Zeichen kleiner aus.

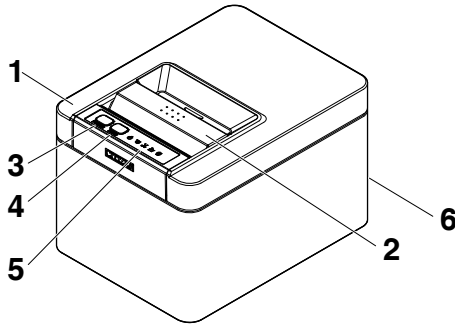
\*3 Dieser Standard gilt bei der Verwendung unseres Netzteils (37AD5).



# 2. ERLÄUTERUNG DER DRUCKERKOMPONENTEN

## 2.1 Ansicht des Druckers

### Bezeichnungen der Komponenten



#### 1: Papierabdeckung

Wird zum Einlegen von Papier geöffnet.

Wird ebenfalls zum Beheben von Fehlern des Papierschneiders geöffnet.



**Siehe 4.2 Beheben eines Cutterfehlers**

#### 2: Abdeckung-Öffnen-Hebel

Damit wird die Papierabdeckung geöffnet.

#### 3: POWER-Taste

Für zwei oder drei Sekunden gedrückt halten, um das Gerät ein- oder auszuschalten.

#### 4: FEED-Taste

Drücken Sie diese Taste, um den Papiervorschub zu betätigen.

Drücken Sie bei einem Fehler des Papierschneiders nach dem Beheben der Ursache bei geschlossener Papierabdeckung auf die FEED-Taste.

Der Drucker wechselt in den Modus zum Einstellen der Speicherschalter und führt einen Selbsttest aus.



**Siehe 4.4 Selbsttest**

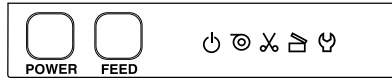


**Siehe 5.3 Manuelle Einstellung von Speicherschaltern**




5: Bedienungsfeld

6: Rückwärtige Anschlüsse

## Bedienungsfeld



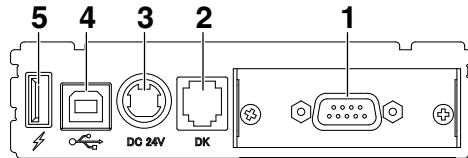
Das Bedienungsfeld verfügt über fünf LED-Anzeigen und zwei Tasten.

	Name der LED	Farbe	Beschreibung
	POWER LED	Grün	Leuchtet bei eingeschalteter Versorgungsspannung und erlischt bei ausgeschalteter Spannung.
	PAPER LED	Grün	Leuchtet oder blinkt, wenn kein Papier eingelegt ist oder der Papiervorrat zur Neige geht. Leuchtet oder blinkt ebenfalls, wenn andere Störungen erkannt werden.
	CUTTER LED	Grün	Leuchtet bei einem erkannten Schneidefehler. Leuchtet oder blinkt ebenfalls, wenn andere Störungen erkannt werden.
	COVER LED	Grün	Leuchtet oder blinkt, wenn die Papierabdeckung geöffnet ist. Leuchtet oder blinkt ebenfalls, wenn andere Störungen erkannt werden.
	SERVICE LED	Orange	Blinkt, wenn eine nicht behebbare Druckerstörung erkannt wird.



**Siehe 4.6 Fehleranzeige**

## Rückseitige Anschlüsse (Beispiel einer seriellen Schnittstelle)



1: Schnittstellenbuchse (seriell, USB etc.)

Anschluss für das Schnittstellenkabel.

2: Geldlade-Kickout-Buchse

Zum Anschließen des Geldlade-Kabels.

3: Netzteil-Anschlussbuchse

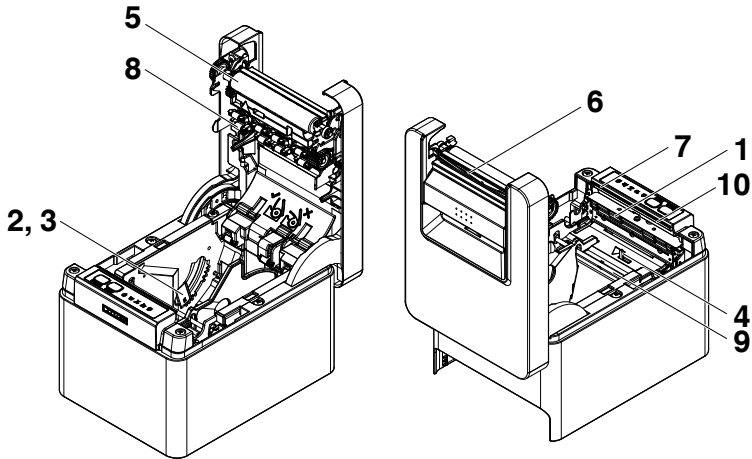
Zum Anschließen des Netzteilkabels.

4: USB-Buchse

5: USB-Stromanschluss

Versorgen Sie ein USB-Gerät mit Strom.

## 2.2 Unter der Papierabdeckung



### 1: Druckkopf (thermisch)

Druckt alphanumerische Zeichen und Grafikdaten auf Papier (Papierrollen).

### 2: Papiermengen-Sensor (PNE)

Erkennt, dass der Papiervorrat auf der Rolle zur Neige geht. Durch Anpassen der Sensorposition können Sie festlegen, wann das baldige Ende des Papiervorrats gemeldet werden soll.

### 3: Einstellknopf für Papiermengen-Sensor

Passen Sie die Einstellung des Papiermengen-Sensors an die Stärke der verwendeten Papiersorte an.



**Siehe 3.11 Einstellen des Papiermengen-Sensors**

### 4: Papierende-Sensor (PE)

Erkennt es, wenn sich kein Papier im Drucker befindet. Der Druckvorgang wird abgebrochen, wenn dieser Sensor meldet, dass kein Papier mehr vorhanden ist.

### 5: Förderwalze

Bewirkt den Papiervorschub.

Die Förderwalze darf nur ausgebaut werden, wenn dies zu Wartungszwecken erforderlich ist.

6: Automatischer Papierschneider

Schneidet das Papier.



**Siehe 5.3 Manuelle Einstellung von Speicherschaltern**

7: Manueller Papierschneider

Zum manuellen Zuschneiden des Papiers nach dem Ende des Druckvorgangs.

8: Papierglättungswalze

Walze zur Reduzierung der Papierwölbung.

9: Papierglättungsdämpfer

Feuchtwalze zur Reduzierung der Papierwölbung.

10: Papierstausensor

Sensor zur Erkennung eines Papierstaus und zum Anhalten des Drucks.

<b>Hinweise</b>
Die Glättungswalze und der Glättungsdämpfer entwölben das Papier nicht vollständig.

## 2.3 Weitere integrierte Funktionen

- Signaltonger

Erzeugt einen Signalton, wenn Fehler auftreten oder wenn Funktionen oder Befehle ausgeführt werden.



**Siehe 4.6 Fehleranzeige**

- Benutzerspeicher

In diesem Speicher können Sie benutzerdefinierte Logo- und Schriftzeichendaten speichern. Die Daten bleiben in diesem Speicher erhalten, auch wenn der Drucker ausgeschaltet wird. Hinweise zum Speichern von Daten finden Sie in der Befehlsreferenz.

- Speicherschalter

Die Einstellungen für verschiedene Arten von Funktionen können im Speicher gespeichert werden. Die Einstellungen bleiben im Speicher erhalten, auch wenn der Drucker ausgeschaltet wird.

- USB-verknüpfte Ausschaltfunktion (wenn der Speicherschalter MSW6-3 auf ON gesetzt ist)

Wenn der Drucker über USB mit einem PC verbunden ist, wird drei Sekunden nach Ausschalten des PCs oder Trennen der USB-Verbindung die USB-verknüpfte Stromversorgung ausgeschaltet.

Dieser Modus wird abgebrochen, wenn der PC erneut eingeschaltet wird oder wenn eine USB-Verbindung hergestellt wird.

### Hinweise

- Die POWER LED leuchtet bei ausgeschalteter USB-verknüpfter Stromversorgung nicht, wodurch sich der Betriebsstatus nicht ablesen lässt.
- Durch Drücken auf die POWER-Taste während der Betriebsstatus aufgrund der USB-Verknüpfung ausgeschaltet ist, schaltet sich das Gerät wie gewohnt ein.

- Papiersparfunktionen

Die Speicherschalter MSW8-3 bis MSW8-4 können für die Konfiguration der unten stehenden Einstellungen verwendet werden, was Papier spart.

- Reduktion des oberen Rands

Der Drucker zieht das Papier vor dem Drucken erneut ein, um den leeren Bereich am oberen Papierrand zu reduzieren.

Die Länge dieses Bereichs kann festgelegt werden.

- Reduzierung des Zeilenabstands

Der Abstand zwischen den Zeilen wird automatisch komprimiert. Das Komprimierungsverhältnis kann festgelegt werden.



## VORSICHT

Entfernen Sie das teilweise geschnittene Papier, bevor Sie das Papier vor dem Drucken erneut einziehen.

Das geschnittene Papier könnte während des nächsten Vorgangs abreißen und eventuell ein Problem verursachen.

### ● Auto Side Shift (MSW8-6)

Mithilfe dieser Funktion wird die Wärme spezieller Druckkopfkomponenten abgeführt, die durch bestimmte häufige Vorgänge wie das Drucken vertikaler Linien usw. entsteht, und dadurch der Verschleiß der Wärmeelemente verhindert.

Wenn innerhalb von 15 Sekunden nach dem Schneiden oder Drucken keine Daten empfangen werden, wird die Druckposition automatisch um  $N^*$  Punkte nach rechts verschoben. Beim nächsten Verschiebungsvorgang kehrt der Druckkopf in die ursprüngliche Druckposition zurück.

\*N ist der Einstellwert von MSW8-6.

### Hinweise

- Wenn der rechte Rand zu schmal ist, werden eventuell einige gedruckten Zeichen abgeschnitten.
- Diese Funktion ist standardmäßig deaktiviert.
- Um diese Funktion zu aktivieren, legen Sie mit MSW8-6 einen geeigneten Höchstwert für das Verschieben von Punkten fest.

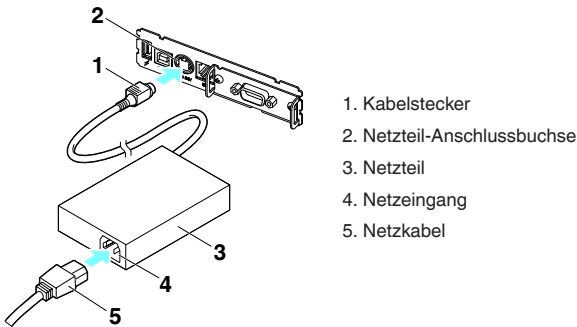
# 3. EINRICHTUNG

## 3.1 Anschließen des Netzkabels

1. Schalten Sie das Gerät aus.

2. Verbinden Sie den Stecker des Netzteils mit der Netzteil-Anschlussbuchse des Druckers.

Verbinden Sie nun das Netzkabel mit dem Netzeingang, und schließen Sie den Netzstecker an eine Steckdose an.



### VORSICHT

- Verwenden Sie ausschließlich das angegebene externe Netzteil.
- Fassen Sie das Netzteil-Anschlusskabel beim Abziehen oder Anschließen stets direkt am Stecker an.
- Verwenden Sie keinen Versorgungsstromkreis, der gleichzeitig Geräte speist, die elektromagnetische Störungen erzeugen.
- Ziehen am Netzkabel kann eine Beschädigung des Kabels, Feuer, Stromschläge oder Brüche der Leitungsadern verursachen.
- Ziehen Sie bei aufziehendem Gewitter das Netzkabel aus der Steckdose. Blitzschläge können Brände oder Stromschläge verursachen.
- Verlegen Sie das Netzkabel nicht in der Nähe von Heizgeräten. Die Isolation des Netzkabels kann schmelzen und so einen Brand oder Stromschlag verursachen.
- Wenn der Drucker längere Zeit nicht genutzt wird, trennen Sie das Netzkabel von der Steckdose.
- Verlegen Sie das Netzkabel so, dass niemand darauf tritt.

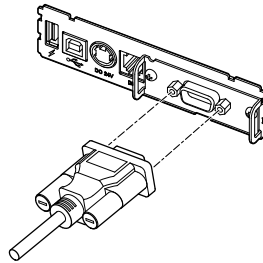


## 3.2 Serielle Schnittstellenkarte

Die Daten können über eine serielle Verbindung ausgetauscht werden.

### Anschließen des Schnittstellenkabels

1. Schalten Sie das Gerät aus.
2. Überprüfen Sie die Ausrichtung des Schnittstellenkabels und verbinden Sie es mit dem Anschluss.



3. Stecken Sie den anderen Stecker fest in den Schnittstellenanschluss des Host-Computers.



**VORSICHT**

- Fassen Sie das Kabel beim Abziehen stets direkt am Stecker an.
- Verlegen Sie das Schnittstellenkabel so, dass niemand darauf tritt.

### **Hinweise**

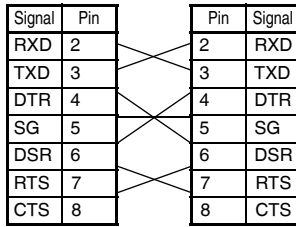
Schließen Sie nicht mehrere Schnittstellen gleichzeitig an.

Verwenden Sie ein serielles Kabel mit der unten gezeigten Pinbelegung.

## 9-Pin-(Buchse)-auf-9-Pin-(Buchse)-Kabel

PC

Drucker



## 3.3 USB-Schnittstelle

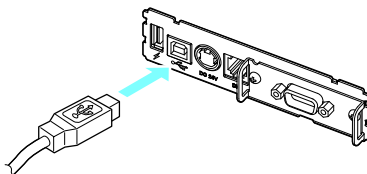
Die Daten können über eine USB-Verbindung ausgetauscht werden.

### Technische Daten

Standard	Für die USB 2.0-Spezifikation geeignet
Übertragungsgeschwindigkeit	Unterstützt eine Übertragung mit 12 Mbit/s (maximale Geschwindigkeit)

### Anschließen des Schnittstellenkabels

1. Schalten Sie das Gerät aus.
2. Überprüfen Sie die Ausrichtung des Schnittstellenkabels und verbinden Sie es mit dem Anschluss.



3. Stecken Sie den anderen Stecker fest in den Schnittstellenanschluss des Host-Computers.



## VORSICHT

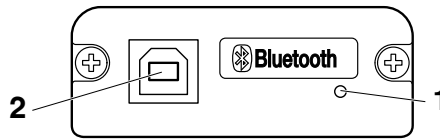
- Fassen Sie das Kabel beim Abziehen stets direkt am Stecker an.
- Verlegen Sie das Schnittstellenkabel so, dass niemand darauf tritt.
- Achten Sie darauf, dass das USB-Kabel nicht an die Geldlade-Kickout-Buchse angeschlossen wird.

### Hinweise

- Schließen Sie nicht mehrere Schnittstellen gleichzeitig an.
- Wenn Sie mehrere Drucker per USB an einen einzelnen Computer anschließen möchten, müssen Sie eine USB-Schnittstelle mit anderer Seriennummer verwenden.
- Es gibt Modelle mit einem USB-Anschluss auf der Schnittstellenkartenseite.  
Wenn Sie ein solches Modell verwenden, schließen Sie die USB-Kabel nicht gleichzeitig an die Drucker-Hauptgeräteseite und Schnittstellenkartenseite an.  
Wenn USB-Kabel an beide Seiten angeschlossen sind, wird der Kommunikation des Kabels am Anschluss an der Hauptgeräteseite Priorität eingeräumt.

## 3.4 Bluetooth-Schnittstellenkarte

### Bezeichnungen der Komponenten



#### 1. Status LED

Der Status für die Bluetooth-Kommunikation/Verbindung/Fehler wird von dieser LED angezeigt.

#### 2. USB-Buchse

Die Daten können über eine USB-Verbindung ausgetauscht werden.

### Hinweise

Wenn Sie diese Schnittstellenkarte als USB-Schnittstelle verwenden, schließen Sie die USB-Kabel nicht gleichzeitig an die Hauptgeräteseite und Schnittstellenkartenseite an.

Wenn USB-Kabel an beide Seiten angeschlossen sind, wird der Kommunikation des Kabels an der Hauptgeräteseite Priorität eingeräumt.

### Bluetooth-Status-LED

Status	Beschreibung	LED-Status
Erkennungs- Standby (sichtbar)	Erkennungs- und Verbindungsbereit- schaft	
Verbindungs- Standby (verbindbar)	Verbindungsbereit- schaft	
iOSVerbindung	Keine Datenüber- tragung	
Kommunikation läuft	iOS: Daten werden übertragen Anderes Betriebs- system: Verbindung ist hergestellt und Daten werden übertragen	

<b>Status</b>	<b>Beschreibung</b>	<b>LED-Status</b>
Fehler	Fehler oder Einstellungen werden gerade konfiguriert	Leuchtet nicht

## **Kopplung**

Wenn zum ersten Mal eine Bluetooth-Verbindung für die Bluetooth-Datenübertragung hergestellt wird, müssen die folgenden Schritte ausgeführt werden.

1. Bluetooth-Geräte erkennen
2. Kopplungseinstellungen konfigurieren

### **1: Erkennen der Bluetooth-Geräte**

Überprüfen Sie zuerst, dass Bluetooth auf dem Host-PC aktiviert ist, bevor Sie nach

Bluetooth-Geräten suchen.

Das Produkt wird nach der Erkennung als „CT-E601\_XX“ angezeigt. (XX sind die letzten 2 Ziffern der eindeutigen BD-Adresse.)

Wählen Sie dieses Produkt aus den erkannten Geräten aus.

Hinweis: Sie können nach Geräten suchen und die Namen ändern.

Wenn der Speicherschalter MSW13-5 auf „Nicht reagieren“ gesetzt ist, wird bei der Geräteerkennung nichts angezeigt.

Die Einstellung kann vorübergehend auf Geräteerkennung (Erkennungsmodus) gesetzt werden,

indem die Papierabdeckung geöffnet und die FEED-Taste für zwei Sekunden gedrückt gehalten wird.

Der Erkennungsmodus wird verlassen, nachdem die Verbindung mit dem Host-PC getrennt wird.

### **2: Konfigurieren der Kopplungseinstellungen**

Normalerweise wird nach der Auswahl des Druckers während der Geräteerkennung

sofort mit den Kopplungseinstellungen fortgefahren.

<b>Hinweise</b>
Einige Host-PC-Konfigurationen und Modelle wechseln eventuell nicht direkt zu den Kopplungseinstellungen, nachdem der Drucker während der Geräteerkennung ausgewählt wurde.

Je nachdem, ob SSP (Secure Simple Pairing) auf dem Host-PC aktiviert ist, sind unterschiedliche Vorgänge für die Konfiguration der Kopplungseinstellungen erforderlich.

Ist SSP auf dem Host-PC aktiviert, kann eine Kopplung ohne zusätzliche Vorgänge vorgenommen werden.

Ist SSP auf dem Host-PC deaktiviert, werden Sie zur Eingabe eines Hauptschlüssels aufgefordert.

Geben Sie den Hauptschlüssel wie nachfolgend erläutert ein.

Hauptschlüssel

die letzten vier Ziffern des Selbsttest-Ausdrucks (Bei den Buchstaben A bis F handelt es sich um Großbuchstaben.)

Beispiel: Bei der Adresse 01:23:45:67:89:AB ist der Hauptschlüssel 89AB.

Wenn Sie die Kopplungsinformationen vom Host-PC löschen, ohne die entsprechenden Kopplungsinformationen auf dem Drucker zu löschen, wird der Drucker eventuell nicht angezeigt, wenn erneut eine Geräteerkennung mit dem Host-PC durchgeführt wird.

Um die Druckerkopplungsinformationen zu löschen, öffnen Sie die Papierabdeckung und halten Sie die FEED-Taste für fünf Sekunden gedrückt.

Durch Löschen der Kopplungsinformationen auf dem Drucker wird dieser in den Entdeckungsmodus geschaltet.

### **Automatische Verbindungswiederherstellung**

Bei einer Bluetooth-Kommunikation mit einem iOS-Gerät wird eine Verbindung zwischen

einem gekoppelten iOS-Gerät und dem Drucker nach einem Verbindungsabbruch nicht automatisch wiederhergestellt. Wenn jedoch die automatische

Verbindungswiederherstellung aktiviert ist, versucht der Drucker eine erneute

Verbindung mit dem iOS-Gerät herzustellen. Wenn eine bidirektionale Kommunikation aktiviert ist, wird die Verbindung automatisch wiederhergestellt.

#### **Hinweise**

■ **Diese Funktion ist bei Auslieferung ab Werk aktiviert. (MSW13-6)**

**Eine automatische Verbindungswiederherstellung kann etwas dauern, wenn es sich beim Host nicht um ein iOS-Gerät handelt.**

■ Selbst wenn es sich beim zu koppelnden Gerät um ein iOS-Gerät handelt, können die nachfolgenden Bedingungen die Funktion automatische Verbindungswiederherstellung beeinträchtigen:

- **Wenn die Bluetooth-Verbindung nach Abschluss des Druckvorgangs getrennt werden soll**
- **Wenn mehrere iOS-Geräte auf dem gleichen Drucker drucken**

Deaktivieren Sie in diesen Fällen die automatische Verbindungsherstellung.

### **Automatische Verbindungswiederherstellung aktivieren/deaktivieren**

Drücken Sie während des Selbsttests 3 Mal auf die FEED-Taste -> Automatische Verbindungswiederherstellung = gültig

Drücken Sie während des Selbsttests 4 Mal auf die FEED-Taste -> Automatische Verbindungswiederherstellung = ungültig

Am Ende des Selbsttests wird aufgelistet, ob die neue Einstellung Automatische Verbindungswiederherstellung auf [Valid] oder [Invalid] eingestellt ist.



**Siehe 4.4 Selbsttest**

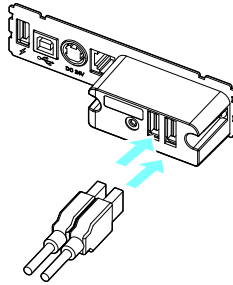


## 3.5 Bluetooth-USB-Host-Schnittstellenkarte

Zusätzlich zur Druckersteuerung über eine Bluetooth-Verbindung können über Bluetooth USB-Host-Schnittstellen Peripheriegeräte, die über den USB-Anschluss angeschlossen sind, gesteuert werden.

### Anschließen eines Peripheriegeräts

1. Schalten Sie das Gerät aus.
2. Verbinden Sie das Kabel eines Peripheriegeräts mit diesem Anschluss.



### **Hinweise**

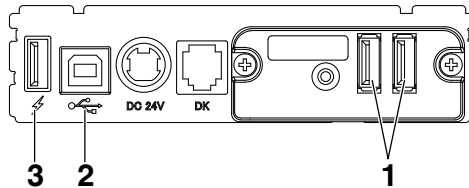
Ein Peripheriegerät kann nicht gesteuert werden, wenn es mit dem USB-Stromanschluss verbunden ist.

Stellen Sie sicher, dass Sie es an den USB-Anschluss der Schnittstellenkarte anschließen.

## Anschließen eines USB-Geräts

Die Funktion, die jedem USB-Anschluss zugewiesen wurde, ist unterschiedlich.

Schließen Sie das USB-Gerät, das Sie verbinden möchten, an der richtigen Stelle an und orientieren Sie sich dabei an der folgenden Abbildung.



1: Für die Steuerung eines Peripheriegeräts

Schließen Sie ein Peripheriegerät an.

Das angeschlossene Peripheriegerät kann gesteuert werden.

2: Für die Host-Computer-Verbindung

Stellen Sie eine Verbindung zu einem Host-Computer her.

Der Drucker und der Host-Computer kommunizieren über USB.



**Siehe 3.3 USB-Schnittstelle**

3: Für die Stromversorgung

Schließen Sie ein Mobilgerät oder ein anderes USB-Gerät an.

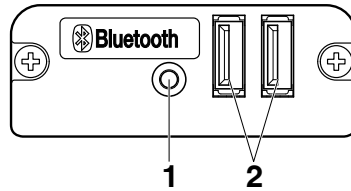
Ein angeschlossenes USB-Gerät kann mit Strom versorgt werden.

\* Dieser Anschluss unterstützt keine USB-Datenkommunikation.



**Siehe 3.8 USB-Stromanschluss**

## Bezeichnungen der Komponenten



1: Bedienelementtaste

Diese Schnittstellenkarte steuern.

2: USB 2-Anschluss

Ein Peripheriegerät anschließen.

### **Hinweise**

- Schließen Sie nur Peripheriegeräte an, die von unserem Unternehmen für den USB-Anschluss spezifiziert wurden.
- Peripheriegeräte dürfen nur eingesteckt/entfernt werden, wenn der Drucker ausgeschaltet ist.

## **Kopplung**

Wenn zum ersten Mal eine Bluetooth-Verbindung für die Bluetooth-Datenübertragung hergestellt wird, müssen die folgenden Schritte ausgeführt werden.

1. Bluetooth-Geräte erkennen
2. Kopplungseinstellungen konfigurieren

### **1: Erkennen der Bluetooth-Geräte**

Überprüfen Sie zuerst, dass Bluetooth auf dem Host-PC aktiviert ist, bevor Sie nach Bluetooth-Geräten suchen.

Das Produkt wird nach der Erkennung als „CT-E601\_XX“ angezeigt. (XX sind die letzten 2 Ziffern der eindeutigen BD-Adresse.)

Wählen Sie dieses Produkt aus den erkannten Geräten aus.

Hinweis: Sie können nach Geräten suchen und die Namen ändern.

Wenn der Speicherschalter MSW13-5 auf „Nicht reagieren“ gesetzt ist, wird bei der Geräteerkennung nichts angezeigt.

Indem Sie die Bedienelementtaste mit diesen Einstellungen mindestens drei Sekunden lang gedrückt halten und danach noch zwei Mal drücken, wird das Gerät temporär

in einen Zustand versetzt, in dem es in der Gerätesuche angezeigt wird (Entdeckungsmodus).

Der Entdeckungsmodus wird abgebrochen, wenn das Gerät mit einem Host-PC verbunden ist.

## 2: Konfigurieren der Kopplungseinstellungen

Normalerweise wird nach der Auswahl des Druckers während der Geräteerkennung

sofort mit den Kopplungseinstellungen fortgefahren.

### Hinweise

Einige Host-PC-Konfigurationen und Modelle wechseln eventuell nicht direkt zu den Kopplungseinstellungen, nachdem der Drucker während der Geräteerkennung ausgewählt wurde.

Je nachdem, ob SSP (Secure Simple Pairing) auf dem Host-PC aktiviert ist, sind unterschiedliche Vorgänge für die Konfiguration der Kopplungseinstellungen erforderlich.

Ist SSP auf dem Host-PC aktiviert, kann eine Kopplung ohne zusätzliche Vorgänge vorgenommen werden.

Ist SSP auf dem Host-PC deaktiviert, werden Sie zur Eingabe eines Hauptschlüssels aufgefordert.

Geben Sie den Hauptschlüssel wie nachfolgend erläutert ein.

Hauptschlüssel

die letzten vier Ziffern des Selbsttest-Ausdrucks (Bei den Buchstaben A bis F handelt es sich um Großbuchstaben.)

Beispiel: Bei der Adresse 01:23:45:67:89:AB ist der Hauptschlüssel 89AB.

Wenn Sie die Kopplungsinformationen vom Host-PC löschen, ohne die entsprechenden Kopplungsinformationen auf dem Drucker zu löschen, wird der Drucker eventuell nicht angezeigt, wenn erneut eine Geräteerkennung mit dem Host-PC durchgeführt wird.

Halten Sie beim Löschen der Kopplungsinformationen die Bedienfeldtaste mindestens drei Sekunden lang gedrückt und drücken Sie diese noch vier Mal, nachdem der Signalton ausgegeben wurde.

Nach erfolgreichem Abschluss wird „Verbundenes Gerät löschen“ ausgedruckt.

Durch Löschen der Kopplungsinformationen auf dem Drucker wird dieser in den Entdeckungsmodus geschaltet.

## **Automatische Verbindungswiederherstellung**

Bei einer Bluetooth-Kommunikation mit einem iOS-Gerät wird eine Verbindung zwischen einem gekoppelten iOS-Gerät und dem Drucker nach einem Verbindungsabbruch nicht automatisch wiederhergestellt. Wenn jedoch die automatische Verbindungswiederherstellung aktiviert ist, versucht der Drucker eine erneute Verbindung mit dem iOS-Gerät herzustellen. Wenn eine bidirektionale Kommunikation aktiviert ist, wird die Verbindung automatisch wiederhergestellt.

### **Hinweise**

■ **Diese Funktion ist bei Auslieferung ab Werk aktiviert. (MSW13-6)**

**Eine automatische Verbindungswiederherstellung kann etwas dauern, wenn es sich beim Host nicht um ein iOS-Gerät handelt.**

■ Selbst wenn es sich beim zu koppelnden Gerät um ein iOS-Gerät handelt, können die nachfolgenden Bedingungen die Funktion automatische Verbindungswiederherstellung beeinträchtigen:

- **Wenn die Bluetooth-Verbindung nach Abschluss des Druckvorgangs getrennt werden soll**
- **Wenn mehrere iOS-Geräte auf dem gleichen Drucker drucken**

Deaktivieren Sie in diesen Fällen die automatische Verbindungsherstellung.

### **Automatische Verbindungswiederherstellung aktivieren/deaktivieren**

Drücken Sie während des Selbsttests 3 Mal auf die FEED-Taste -> Automatische Verbindungswiederherstellung = gültig

Drücken Sie während des Selbsttests 4 Mal auf die FEED-Taste -> Automatische Verbindungswiederherstellung = ungültig

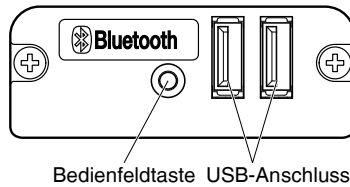
Am Ende des Selbsttests wird aufgelistet, ob die neue Einstellung Automatische Verbindungswiederherstellung auf [Valid] oder [Invalid] eingestellt ist.



**Siehe 4.4 Selbsttest**

## Bedienung der Bedienfeldtaste

Die Bluetooth-Karte wird über die Bedienfeldtaste an der Rückseite bedient.



- **Einstellungen für die BT-Gerätesuche (MSW13-5)**

1. Halten Sie die Bedienfeldtaste gedrückt, um den Drucker einzuschalten.
2. Drücken Sie die Bedienfeldtaste innerhalb einer Sekunde nach dem Start des Druckers.

Die Einstellung ändert sich, je nachdem, wie oft Sie die Bedienfeldtaste drücken.

Zwei Mal drücken: Entdeckung möglich

Drei Mal drücken: Keine Reaktion

Nach diesen Vorgängen startet der Drucker erneut.

- **Status der Schnittstellenkarte drucken**

Drücken Sie nach dem Start des Druckers die Bedienfeldtaste ein Mal, um den Status der Schnittstellenkarte zu drucken.

```
Bluetooth Board Information

Boot.      Xxxxx }
FW Ver.    Xxxxxx } 1
BT Ver.    Xxxxx }

--Printer state--
Manuf: CITIZEN SYSTEMS
Model: CT-E601
BD Addr: 11:22:33:44:55:66 ← 2
BD Name: CT-E601_XX ← 3
Profile: SPP/iAP2 ← 4

Bluetooth Set info. ← 5
Paired      : Enable
Discoverable: Enable
Reconnect   : Disable

USB Device Info. ← 6
USB1: Barcode scanner
USB2: Customer Display

BOARD STATE: Waiting Connect ← 7
```

### Beispielausdruck

1. Karten-Firmware-Version
2. Adresse des bestückten Bluetooth-Moduls
3. Bluetooth-Name
4. Reaktionsprofil der Bluetooth-Übertragung
5. Bluetooth-Einstellungsstatus
6. Name des angeschlossenen USB-Geräts („Keine Verbindung“ wird angezeigt, wenn keine Verbindung hergestellt wurde)
7. Karten-Status

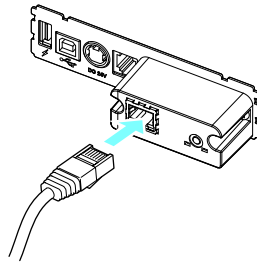


## 3.6 Ethernet (LAN)/WLAN-Schnittstellenkarte

Dieser Abschnitt gibt einen Überblick über die Schnittstellenkarte. Weitere Informationen zu dieser Karte und Erklärungen zur USB-Host-Funktion und XML-Peripheriegerät-Unterstützung finden Sie in einem separaten Handbuch.

### Anschließen des Schnittstellenkabels

1. Schalten Sie das Gerät aus.
2. Überprüfen Sie die Ausrichtung des Schnittstellenkabels und verbinden Sie es mit dem Anschluss.



3. Schließen Sie den anderen Stecker an einen Hub, Router oder ähnliches Gerät an.



### **VORSICHT**

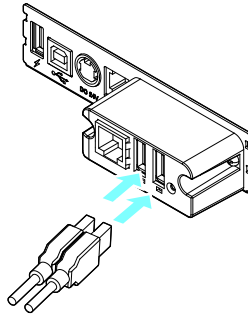
- Fassen Sie das Kabel beim Abziehen stets direkt am Stecker an.
- Verlegen Sie das Schnittstellenkabel so, dass niemand darauf tritt.
- Halten Sie den Stecker des LAN-Kabels beim Einstecken und Abziehen senkrecht und gerade. Verkanten des Steckers kann zu Anschlussfehlern führen.

### **Hinweise**

Schließen Sie nicht mehrere Schnittstellen gleichzeitig an.

## Anschließen eines Peripheriegeräts

1. Schalten Sie das Gerät aus.
2. Verbinden Sie das Kabel eines Peripheriegeräts mit diesem Anschluss.



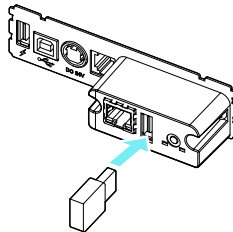
### **Hinweise**

Ein Peripheriegerät kann nicht gesteuert werden, wenn es mit dem USB-Stromanschluss verbunden ist.

Stellen Sie sicher, dass Sie es an den USB-Anschluss der Schnittstellenkarte anschließen.

## Anschließen des WLAN-Adapters

1. Schalten Sie das Gerät aus.
2. Schließen Sie den WLAN-Adapter an die Buchse an.



### **Hinweise**

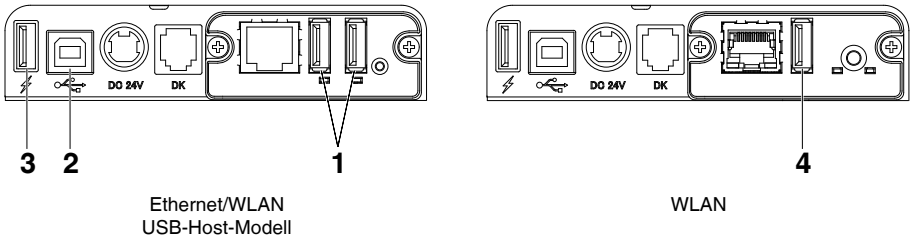
Bei Anschluss an die USB-Stromversorgungsbuchse kann das WLAN nicht verwendet werden.

Stellen Sie sicher, dass Sie den WLAN-Adapter mit dem USB-Anschluss an der Schnittstellenkarte verbinden.

## Anschließen eines USB-Geräts

Die Funktion, die jedem USB-Anschluss zugewiesen wurde, ist unterschiedlich.

Schließen Sie das USB-Gerät, das Sie verbinden möchten, an der richtigen Stelle an und orientieren Sie sich dabei an der folgenden Abbildung.



1: Für die Steuerung von Peripheriegeräten und den Anschluss von WLAN-Adaptern  
Verbindet die Peripheriegeräte und den WLAN-Adapter.

Für die Verbindung können Sie entweder den linken oder den rechten USB-Anschluss verwenden.

Auch wenn ein WLAN-Adapter angeschlossen ist, können Sie Peripheriegeräte mit den verfügbaren Anschlüssen verbinden.

2: Für die Host-Computer-Verbindung

Stellen Sie eine Verbindung zu einem Host-Computer her.

Der Drucker und der Host-Computer kommunizieren über USB.



**Siehe 3.3 USB-Schnittstelle**

3: Für die Stromversorgung

Schließen Sie ein Mobilgerät oder ein anderes USB-Gerät an.

Ein angeschlossenes USB-Gerät kann mit Strom versorgt werden.

\* Dieser Anschluss unterstützt keine USB-Datenkommunikation.



**Siehe 3.8 USB-Stromanschluss**

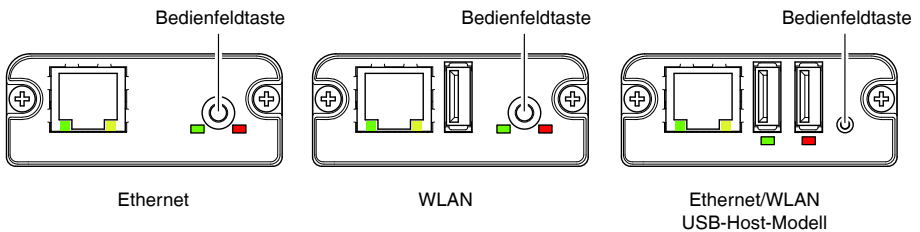
4: Für die WLAN-Adapter-Verbindung

Schließen Sie einen WLAN-Adapter an.

Für die WLAN-Datenübertragung muss ein WLAN-Adapter angeschlossen sein.

## Bedienung der Bedienfeldtaste

Die LAN-Schnittstellenkarte wird über die Bedienfeldtaste an der Rückseite bedient.



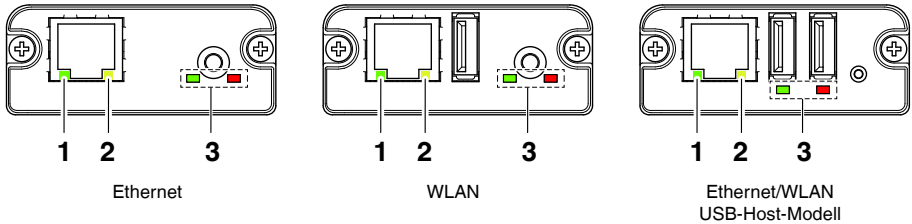
- **Aktivieren einer LAN-Verbindung**  
Schalten Sie den Drucker ein. Die Schnittstellenkarte nimmt etwa 20 Sekunden später den Betrieb auf.
- **Drucken von LAN-Setupinformationen**  
Drücken Sie auf die Bedienfeldtaste.
- **Aufrufen des Einstellungsmodus**  
Halten Sie die Bedienfeldtaste gedrückt. Es wird ein Signalton ausgegeben, der darauf verweist, dass in den Einstellungsmodus gewechselt wurde.
  - Im Einstellungsmodus können die Werkseinstellungen angezeigt werden.
  - Wenn 3 Sekunden lang keine Bedienung im Konfigurationsmodus erfolgt, wird der Modus auf den normalen Modus zurückgesetzt.
- **Zurücksetzen der Werkseinstellungen**  
Wechseln Sie in den Schnittstellenkarten-Einstellungsmodus und halten Sie dann die Bedienfeldtaste gedrückt. Damit wird die Schnittstellenkarte auf ihre Werkseinstellungen zurückgesetzt.

### **Hinweise**

Die Schnittstellenkarte wird nach Abschluss des Vorgangs neu gestartet. Nach dem Löschen der Einstellungen müssen die Netzwerkeinstellungen erneut konfiguriert werden.

## LED-Funktionen

Die nachfolgende Tabelle erläutert die Bedeutung der LED-Anzeigen.



### 1: WLAN-Übertragungsgeschwindigkeit

Übertragungsgeschwindigkeit	LED (grün)
100 Mbit/s	Leuchtet
10 Mbit/s / Nicht verbunden	Leuchtet nicht

### 2: WLAN-Verbindung/-Übertragungsstatus

Verbindungsstatus	LED (gelb)
Verbunden	Leuchtet
Nicht verbunden	Leuchtet nicht
Daten werden übertragen	Blinkt

### 3: Status verkabeltes LAN/WLAN

Verbindungsstatus		LED (grün)	LED (rot)	Beschreibung
Keine Druckerverbindung		Leuchtet nicht	—	Die Schnittstellenkarte ist nicht mit dem Drucker verbunden.
Drucker- ver- bin- dung	Keine Netzwerkverbindung	Leuchtet	Leuchtet nicht	Die Schnittstellenkarte ist mit dem Drucker verbunden.
	Über verdrahtetes LAN verbunden	Leuchtet	Blinkt (1-Sekunden-Intervall)	Es wird eine IP-Adresse vom DHCP-Server über ein verdrahtetes LAN bezogen.
	Verdrahteter LAN-Betrieb	Leuchtet	Leuchtet	Es ist ein Netzwerkbetrieb über ein verdrahtetes LAN hergestellt.
	Über WLAN verbunden *	Blinkt (2-Sekunden-Intervall)	Blinkt (1-Sekunden-Intervall)	Es wird eine Verbindung über einen Zugriffspunkt hergestellt oder es wird eine IP-Adresse vom DHCP-Server über ein WLAN bezogen.
	WLAN-Betrieb *	Blinkt (2-Sekunden-Intervall)	Leuchtet	Es ist ein Netzwerkbetrieb über ein WLAN hergestellt.
Ressourcenfehler		Blinkt (1-Sekunden-Intervall)		Die Schnittstellenkarte funktioniert nicht ordnungsgemäß.

<b>Verbindungsstatus</b>	<b>LED (grün)</b>	<b>LED (rot)</b>	<b>Beschreibung</b>
Systemfehler	Blinkt (0,2-Sekunden-Intervall)		Die Schnittstellenkarte funktioniert nicht ordnungsgemäß.

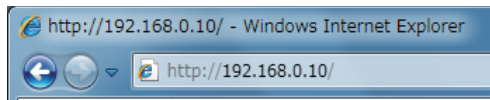
\* Nur bei Verwendung von WLAN

## Web-Manager

Die Schnittstellenkarte verfügt über eine Web-Manager-Funktion, mit deren Hilfe über einen Webbrowser eine Verbindung mit der Schnittstellenkarte hergestellt werden kann und die Einstellungen der Schnittstellenkarte geändert werden können.

### Starten des Web-Managers

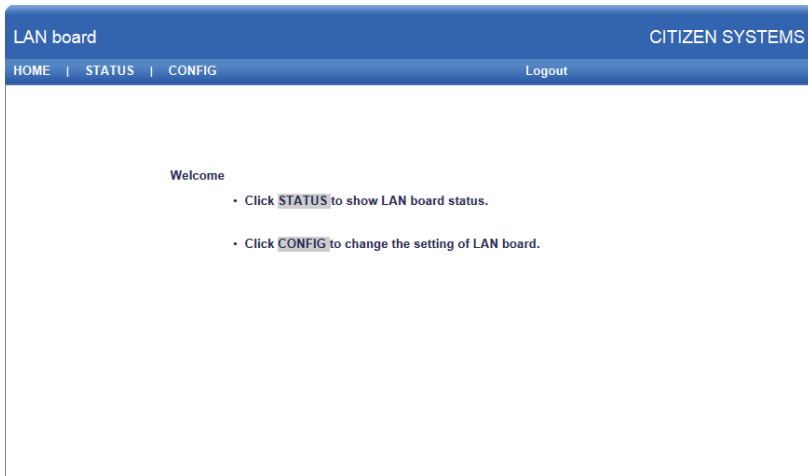
1. Öffnen Sie einen Webbrowser.
2. Geben Sie in die Adressleiste die IP-Adresse der Schnittstellenkarte ein, und drücken Sie dann auf [Enter].



### HOME-Bildschirm

Dies ist der Startbildschirm des Web-Managers.

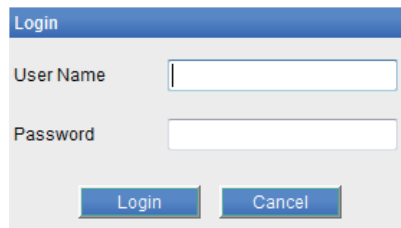
Der folgende Bildschirm ist ein Beispiel für WLAN.



Drücken Sie hier auf [CONFIG].

## CONFIG-Bildschirm

Damit wird das unten abgebildete Login-Dialogfeld angezeigt. Melden Sie sich als Administrator an und konfigurieren Sie dann die Einstellungen der Schnittstellenkarte.



The image shows a standard Windows-style dialog box titled "Login". It contains two text input fields, one labeled "User Name" and one labeled "Password". Below the input fields are two buttons: "Login" and "Cancel".

- User Name  
Geben Sie den Administrator-Benutzernamen ein. (Voreinstellung: admin)
- Password  
Geben Sie das Administrator-Kennwort ein. (Voreinstellung: admin)
- [Login]-Schaltfläche  
Klicken Sie nach der Eingabe des Administrator-Benutzernamens und -kennworts auf die [Login]-Schaltfläche. Damit wird der Einstellungsbildschirm angezeigt. Weitere Einzelheiten zu den Einstellungen entnehmen Sie der separaten Anleitung.



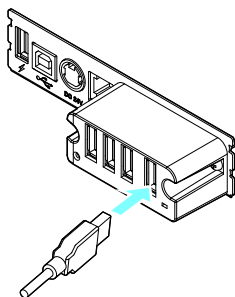
## 3.7 Lightning-USB-Host-Schnittstellenkarte

Zusätzlich zur Druckersteuerung über eine USB-Verbindung (Lightning) können über Lightning-USB-Host-Schnittstellen Peripheriegeräte, die über den USB-Anschluss angeschlossen sind, gesteuert werden.

Bei Apple-Produkten mit einem USB-Typ-C-Anschluss, wie z. B. dem iPad Pro, ist es möglich, die gleiche Funktion mit einem USB-Typ-A-auf-Typ-C-Kabel zu nutzen.

### Anschließen des Schnittstellenkabels

1. Schalten Sie das Gerät aus.
2. Überprüfen Sie die Ausrichtung des Schnittstellenkabels und verbinden Sie es mit dem Anschluss.



3. Verbinden Sie den anderen Anschluss mit dem Schnittstellenanschluss eines Apple-Geräts.



### **VORSICHT**

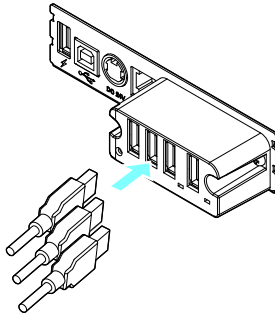
- Fassen Sie das Kabel beim Abziehen stets direkt am Stecker an.
- Verlegen Sie das Schnittstellenkabel so, dass niemand darauf tritt.
- Halten Sie den Stecker des LAN-Kabels beim Einstecken und Abziehen senkrecht und gerade. Verkanten des Steckers kann zu Anschlussfehlern führen.

### **Hinweise**

Schließen Sie nicht mehrere Schnittstellen gleichzeitig an.

## Anschließen eines Peripheriegeräts

1. Schalten Sie das Gerät aus.
2. Verbinden Sie das Kabel eines Peripheriegeräts mit diesem Anschluss.

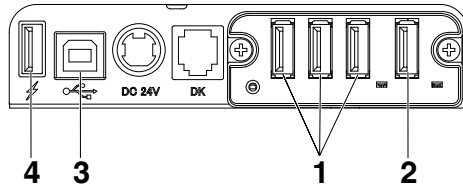


### **Hinweise**

Ein Peripheriegerät kann nicht gesteuert werden, wenn es mit dem USB-Stromanschluss verbunden ist.

Stellen Sie sicher, dass Sie es an den USB-Anschluss der Schnittstellenkarte anschließen.

## Anschließen eines USB-Geräts



### 1: Für die Steuerung eines Peripheriegeräts

Schließen Sie ein Peripheriegerät an.

Das angeschlossene Peripheriegerät kann gesteuert werden.

### 2: Für eine Apple-Geräteverbindung

Schließen Sie ein Apple-Gerät an.

Der Drucker und das Apple-Gerät kommunizieren über das Lightning-Kabel.

Das Apple-Gerät kann darüber auch schnell aufgeladen werden.

### 3: Für die Host-Computer-Verbindung

Stellen Sie eine Verbindung zu einem Host-Computer her.

Der Drucker und der Host-Computer kommunizieren über USB.



**Siehe 3.3 USB-Schnittstelle**

### 4: Für die Stromversorgung

Schließen Sie ein Mobilgerät oder ein anderes USB-Gerät an.

Ein angeschlossenes USB-Gerät kann mit Strom versorgt werden.

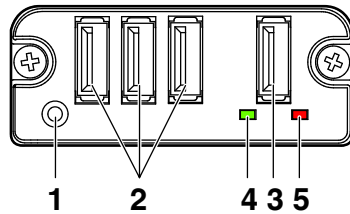
\* Dieser Anschluss unterstützt keine USB-Datenkommunikation.

Das Lightning-Modell verfügt nicht über eine Stromversorgungsfunktion.



**Siehe 3.8 USB-Stromanschluss**

## Bezeichnungen der Komponenten



### 1: Bedienfeldtaste

Diese Schnittstellenkarte steuern.

### 2: USB-Anschluss für Peripheriegeräteverbindung (3 Anschlüsse)

Ein Peripheriegerät anschließen.

### 3: USB-Anschluss für eine Apple-Geräteverbindung (1 Anschluss)

Schließen Sie ein Apple-Gerät an.

Während des schnellen Ladevorgangs von Apple-Geräten können auch Daten übertragen werden.

### 4: Grüne LED

Diese LED zeigt den Kommunikationsstatus des Druckers an.

### 5: Rote LED

Diese LED zeigt den Verbindungsstatus mit einem Apple-Gerät an.

## **Hinweise**

- Schließen Sie nur Peripheriegeräte an, die von unserem Unternehmen für den USB-Anschluss spezifiziert wurden.
- Peripheriegeräte dürfen nur eingesteckt/entfernt werden, wenn der Drucker ausgeschaltet ist.
- Der Betrieb dieser Karte beginnt ca. 30 Sekunden nach dem Einschalten.
- Verwenden Sie ein MFi-zertifiziertes Kabel für die Verbindung mit einem Apple-Gerät.

## Bedienung der Bedienfeldtaste

Die Lightning-Karte wird über die Bedienfeldtaste an der Rückseite bedient.

### 1: Status der Schnittstellenkarte drucken

Drücken Sie nach dem Start des Druckers die Bedienfeldtaste ein Mal, um den Status der Schnittstellenkarte zu drucken.

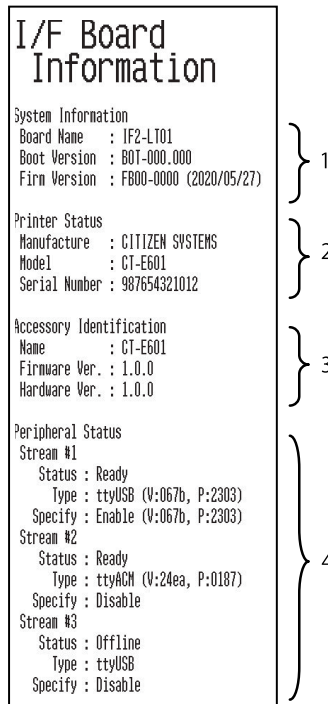
```
I/F Board
Information

System Information
Board Name : IF2-LT01
Boot Version : BOT-000.000
Firm Version : FB00-0000 (2020/05/27)

Printer Status
Manufacture : CITIZEN SYSTEMS
Model : CT-E601
Serial Number : 987654321012

Accessory Identification
Name : CT-E601
Firmware Ver. : 1.0.0
Hardware Ver. : 1.0.0

Peripheral Status
Stream #1
  Status : Ready
  Type : ttyUSB (V:067b, P:2303)
  Specify : Enable (V:067b, P:2303)
Stream #2
  Status : Ready
  Type : ttyACM (V:24ea, P:0187)
  Specify : Disable
Stream #3
  Status : Offline
  Type : ttyUSB
  Specify : Disable
```



The image shows a terminal window titled "I/F Board Information". The content is organized into four sections, each indicated by a right-facing curly bracket and a number:

- 1**: System Information (Board Name, Boot Version, Firm Version)
- 2**: Printer Status (Manufacture, Model, Serial Number)
- 3**: Accessory Identification (Name, Firmware Ver., Hardware Ver.)
- 4**: Peripheral Status (Stream #1, Stream #2, Stream #3)

1. Systeminformationen dieser Schnittstellenkarte
2. Informationen des an diese Schnittstellenkarte angeschlossenen Druckers
3. Identifikationsinformationen dieser Schnittstellenkarte
4. Verbindungsinformationen zum Peripheriegerät

## LED-Funktionen

Die nachfolgende Tabelle erläutert die Bedeutung der LED-Anzeigen.

### 1: Kommunikationsstatus des Druckers

<b>Kommunikation läuft</b>	<b>LED (grün)</b>
Nicht verbunden	Leuchtet nicht
Verbunden	Leuchtet
Kommunikation läuft	Blinkt

### 2: Verbindungsstatus mit einem Apple-Gerät

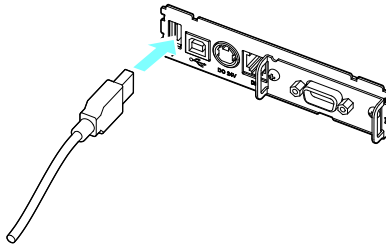
<b>Kommunikation läuft</b>	<b>LED (rot)</b>
Nicht verbunden	Leuchtet nicht
Verbunden	Leuchtet
Kommunikation gestört	Blinkt (1-Sekunden- Intervall)
Schnittstellenkartenfehler	Blinkt (0,2-Sekunden- Intervall)

## 3.8 USB-Stromanschluss

Ein Mobilgerät oder ein anderes USB-Gerät kann mit Strom (max. 2,1 A) versorgt werden, indem das Kabel des USB-Geräts mit dem Stromanschluss verbunden wird.

### Anschließen eines Mobilgeräts oder anderen Geräts

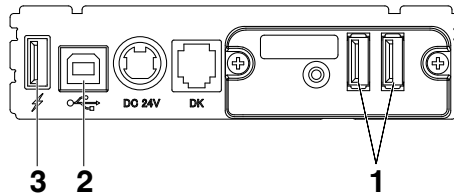
1. Schalten Sie das Gerät aus.
2. Schließen Sie das Kabel eines Mobilgeräts oder eines anderen Geräts an den USB-Stromanschluss an.



## Anschließen eines USB-Geräts

Die Funktion, die jedem USB-Anschluss zugewiesen wurde, ist unterschiedlich.

Schließen Sie das USB-Gerät, das Sie verbinden möchten, an der richtigen Stelle an und orientieren Sie sich dabei an der folgenden Abbildung.



1: Für die Steuerung eines Peripheriegeräts

Schließen Sie ein Peripheriegerät an.

Das angeschlossene Peripheriegerät kann gesteuert werden.

2: Für die Host-Computer-Verbindung

Stellen Sie eine Verbindung zu einem Host-Computer her.

Der Drucker und der Host-Computer kommunizieren über USB.



**Siehe 3.3 USB-Schnittstelle**

3: Für die Stromversorgung

Schließen Sie ein Mobilgerät oder ein anderes USB-Gerät an.

Ein angeschlossenes USB-Gerät kann mit Strom versorgt werden.

\* Dieser Anschluss unterstützt keine USB-Datenkommunikation.



**Siehe 3.8 USB-Stromanschluss**

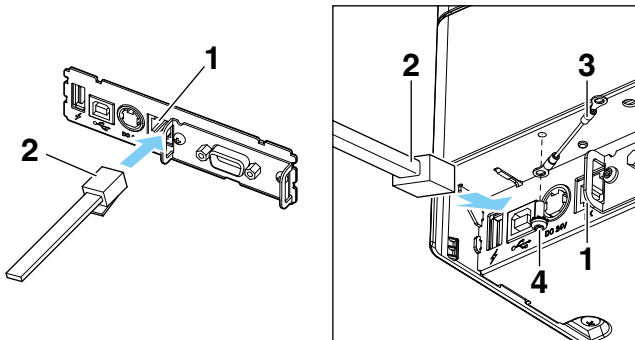
### **Hinweise**

- Dieser Anschluss unterstützt keine USB-Datenkommunikation.
- Je nach verwendetem USB-Gerät kann das Gerät ggf. nicht mit Strom versorgt werden.  
Verwenden Sie in diesem Fall das spezielle Netzteil des Geräts oder ein Akku-Ladegerät.
- Ein USB-Kabel für die Stromversorgung ist nicht im Lieferumfang dieses Produkts enthalten.  
Verwenden Sie ein im Handel erhältliches USB-Kabel oder das Kabel, das bei Ihrem USB-Gerät beilag.
- Das Lightning-Modell verfügt nicht über eine Stromversorgungsfunktion.



## 3.9 Anschließen der Geldlade

1. Schalten Sie das Gerät aus.
2. Achten Sie auf die richtige Ausrichtung des Geldlade-Kickout-Kabelsteckers und stecken Sie ihn in die Geldlade-Kickout-Buchse an der Rückseite des Druckers.
3. Entfernen Sie die Schraube für die Erdungsleitung.
4. Schrauben Sie die Erdungsleitung der Geldlade am Druckergehäuse fest.



1. Geldlade-Kickout-Buchse
2. Geldlade-Kickout-Kabelstecker
3. Erdungsleitung
4. Schraube für Erdungsleitung



### VORSICHT

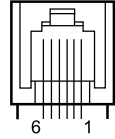
- Schließen Sie ausschließlich das Geldlade-Kickout-Kabel an die Geldlade-Kickout-Buchse an. (Schließen Sie kein Telefonkabel an.)
- Halten Sie den Stecker des Geldlade-Kickout-Kabels beim Einstecken und Abziehen senkrecht und gerade. Verkanten des Steckers kann zu Anschlussfehlern führen.

### Hinweise

Während des Druckvorgangs können keine Signale über die Geldlade-Kickout-Buchse ausgegeben werden.

(1) Pinbelegung der Buchse

Nr.	Signal	Funktion
1	FG	Gehäusemasse
2	DRAWER1	Steuersignal Geldlade 1
3	DRSW	Geldlade-Schaltereingang
4	VDR	Stromversorgung für Geldladeantrieb
5	DRAWER2	Steuersignal Geldlade 2
6	GND	Signalmasse (gemeinsames Massepotenzial der Stromkreise)



\* Benötigter Stecker: RJ-11

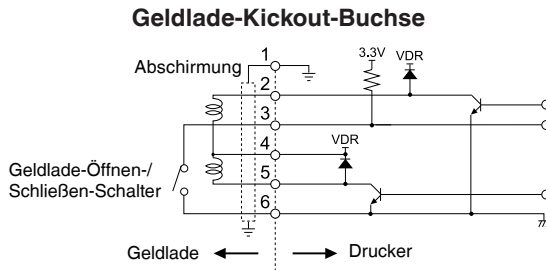
## (2) Elektrische Eigenschaften

- 1) Antriebsspannung: 24 V Gleichstrom
- 2) Antriebsstrom: Ca. 1 A max. (maximale Dauer 510 ms)
- 3) DRSW-Signal: Signalpegel: „L“ = 0 bis 0,5 V, „H“ = 3 bis 5 V

## (3) DRSW-Signal

Der Status kann per Befehlssteuerung getestet werden.

## (4) Antriebsstromkreis

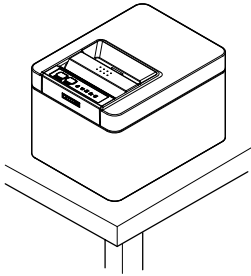


**VORSICHT**

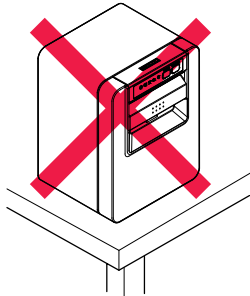
- Die Geldladen 1 und 2 können nicht gleichzeitig verwendet werden.
- Für die Geldlade ist ein Solenoid mit mindestens 24  $\Omega$  zu verwenden. Die Stromstärke darf 1 A nicht überschreiten. Eine zu hohe Stromstärke könnte zu Beschädigungen oder zum Durchbrennen der Stromkreise führen.

## 3.10 Hinweise zum Installieren des Druckers

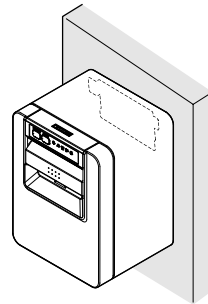
Dieses Produkt kann waagrecht oder an der Wand montiert verwendet werden. Kann nicht in senkrechter Richtung verwendet werden.



Horizontale Ausrichtung



Vertikale Ausrichtung



Wandmontage



### VORSICHT

**Unter folgenden Bedingungen darf der Drucker nicht verwendet werden:**

- Standorte, die Vibrationen ausgesetzt oder instabil sind
- Stark verschmutzte oder sehr staubhaltige Standorte.
- Standorte, an denen keine ebene Aufstellung des Druckers möglich ist.
  - ◆ **Der Drucker kann herunterfallen und Verletzungen verursachen.**
  - ◆ **Die Druckqualität kann sich verschlechtern.**
- Andere Ausrichtung als vorgeschrieben.
  - ◆ **Andernfalls besteht die Gefahr von Fehlfunktionen, Ausfällen oder Stromschlag.**

#### **Hinweise für die Aufstellung in horizontaler Ausrichtung**

- Verwenden Sie nicht die Einstellung „Voller Schnitt“. Anderenfalls kann es zu einem Messer-  
stau kommen.

#### **Hinweise für die Aufstellung für die Wandmontage**

- Einstellung des Papiermengen-Sensors anpassen.

### **Für die Wandmontage**

Wenn der Drucker an der Wand montiert werden soll, lassen Sie ihn von einer Servicekraft installieren.

Weitere Informationen finden Sie in der separaten Anleitung für das Wandmontage-Kit.

## 3.11 Einstellen des Papiermengen-Sensors

Ändern Sie die Einstellung des Papiermengen-Sensors, um festzulegen, bei welcher Position ein zur Neige gehender Papiervorrat erkannt werden soll.

1. Drücken Sie mit dem Finger leicht auf den Papiermengen-Sensor.
2. Halten Sie den Papiermengen-Sensor gedrückt, während Sie ihn nach links oder rechts verschieben. In der folgenden Tabelle sind die jeweils geeigneten Sensorpositionen für die verschiedenen Papierrollendurchmesser aufgeführt.

(Einheit: mm)

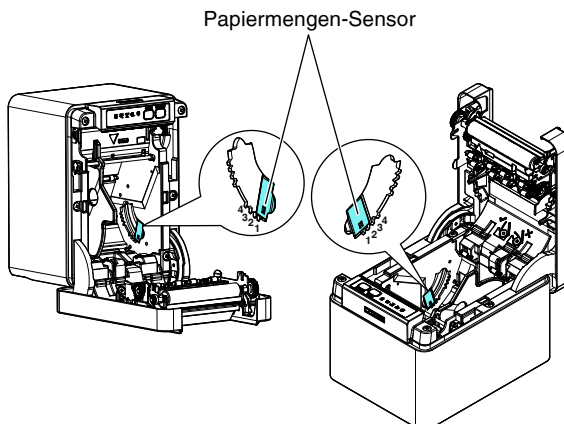
Sensorposition	Außendurchmesser der Papierrolle, wenn der Papiervorrat zur Neige geht	Außen-/Innenkerndurchmesser der verwendeten Papierrolle
1*	Ca. $\varnothing 22,0$	$\varnothing 18/\varnothing 12$
2	Ca. $\varnothing 25,0$	$\varnothing 18/\varnothing 12$
3	Ca. $\varnothing 29,0$	$\varnothing 18/\varnothing 12$
4	Ca. $\varnothing 34,0$	$\varnothing 18/\varnothing 12$

Hinweise:

\* Sensorposition bei Auslieferung ab Werk. Die werksseitigen Voreinstellungen sind allerdings je nach Zielmarkt unterschiedlich.

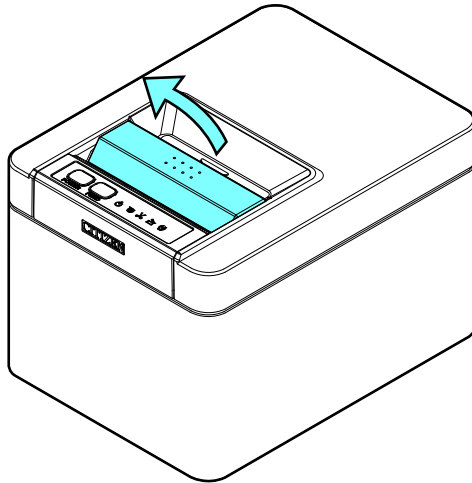
### Hinweise

Der erkannte Papierrollendurchmesser ist nur ein geschätzter Wert. Je nach Papiersorte sind gewisse Abweichungen möglich.



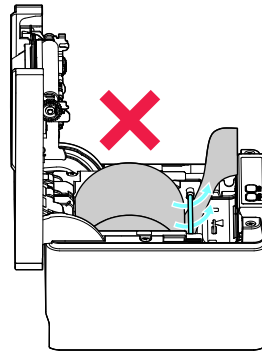
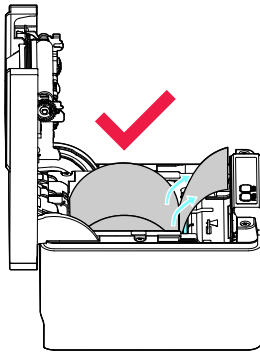
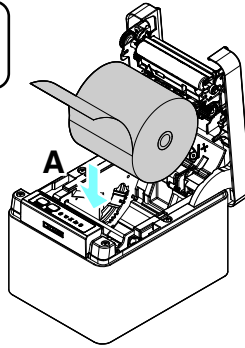
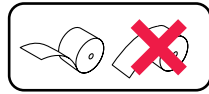
## 3.12 Einlegen von Papier

1. Schalten Sie das Gerät ein.
2. Ziehen Sie den Hebel zum Öffnen der Abdeckung zu sich hin, um die Papierabdeckung zu öffnen.

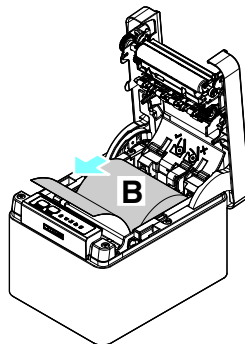


3. Legen Sie die Papierrolle so ein, dass die zu bedruckende Papierseite nach oben zeigt (Pfeil A).

Stellen Sie das Rollenpapier so ein, dass es über den Papierglättungsdämpfer geführt wird.



4. Ziehen Sie das Papier einige Zentimeter weit geradlinig in Richtung von Pfeil B.



5. Schließen Sie die Papierabdeckung und lassen Sie sie hörbar einrasten. Das Papier wird automatisch vorgeschoben und abgeschnitten (Werkseinstellung).



## VORSICHT

- Achten Sie beim Öffnen der Papierabdeckung darauf, nicht den Zugang zur Klinge des automatischen Papierschneiders zu berühren.
- Unmittelbar nach dem Drucken ist der Druckkopf noch sehr heiß. Achten Sie darauf, ihn nicht mit Ihren Händen zu berühren.
- Vermeiden Sie es, den Druckkopf mit bloßen Händen oder Metallgegenständen zu berühren.
- Achten Sie beim Schließen der Papierabdeckung darauf, dass Sie sich nicht die Finger ein-klemmen.
- Achten Sie darauf, sich beim Einlegen des Papiers nicht an den Papierkanten zu schneiden.

### Hinweise

- Verwenden Sie ausschließlich die angegebenen Papierrollentypen.
- Stellen Sie sicher, dass die Einstellung dem Papierrollentyp entspricht.
- Wenn das Papier schräg läuft und nicht gerade aus der Papierabdeckung geschoben wird, öffnen Sie diese und richten Sie das Papier gerade aus.
- Ziehen Sie stets einige Zentimeter Papier geradlinig aus dem Drucker, wenn Sie die Papierabdeckung öffnen, während Papier eingelegt ist.
- Drücken Sie auf die Mitte der Papierabdeckung, um sie sicher zu schließen.  
Wenn nur eine von ihnen geschlossen ist, kann es zu ungleichmäßigem Druck kommen.



**Siehe VORSICHTSMASSNAHMEN BEI DER HANDHABUNG DES DRUCK-**

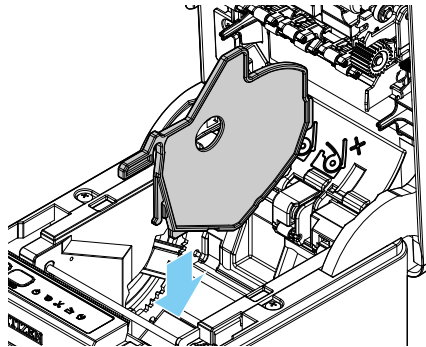
**ERS**

## 3.13 Trennvorrichtung für 58 mm breite Papierrollen

1. Schalten Sie das Gerät aus.
2. Ziehen Sie den Hebel zum Öffnen der Abdeckung zu sich hin, um die Papierabdeckung zu öffnen.
3. Setzen Sie die mitgelieferte Trennvorrichtung in die Aussparung. Entfernen Sie die Trennvorrichtung bei der Verwendung 80 mm breiter Papierrollen.
4. Ändern Sie die Breite des Druckbereichs unter Bezugnahme des Abschnitts 5.3 „Manuelle Einstellung von Speicherschaltern“.



Siehe 5.3 Manuelle Einstellung von Speicherschaltern



### VORSICHT

- Achten Sie beim Öffnen der Papierabdeckung darauf, nicht den Zugang zur Klinge des automatischen Papierschneiders zu berühren.
- Unmittelbar nach dem Drucken ist der Druckkopf noch sehr heiß. Achten Sie darauf, ihn nicht mit Ihren Händen zu berühren.
- Vermeiden Sie es, den Druckkopf mit bloßen Händen oder Metallgegenständen zu berühren.



## Hinweise

- Wenn Sie Medien mit 58-mm Breite verwenden, sollten Sie unbedingt die Trenvorrichtung anbringen.
- Verwenden Sie den Drucker bei der Nutzung von 58 mm breitem Papier immer als ausschließlichen Drucker für dieses Papierformat.

Die Papierzufuhr oder der Druckvorgang funktioniert eventuell nicht ordnungsgemäß, wenn nach der Nutzung von 58 mm breitem Papier zu 80 mm breitem Papier gewechselt wird.

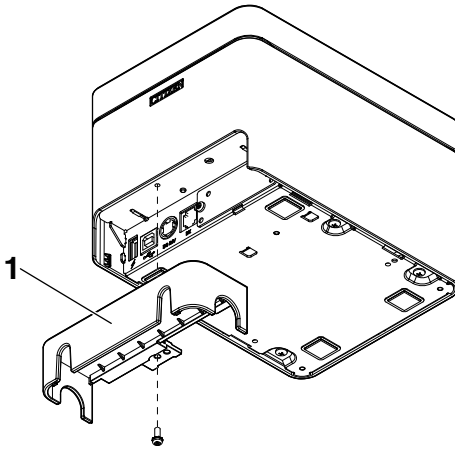


**Siehe VORSICHTSMASSNAHMEN BEI DER HANDHABUNG DES DRUCK-**

**ERS**

## 3.14 Anbringen der Kabelabdeckung

- Richten Sie die Krallen der Kabelabdeckung an den Vertiefungen des Drucker-Hauptgeräts aus und stecken Sie diese hinein.



1. Kabelabdeckung

## **3.15 Vorsichtshinweise für die Erstellung von Anwendungen und praktische Nutzung**

Erfolgt ein Druckvorgang direkt nach einem Teilschnitt und Abriss des Papiers, kann der Anfang des nächsten Ausdrucks eventuell verzerrt sein.

Wir empfehlen, nach dem Schneiden einen Papiervorschub um eine Zeile vorzunehmen, bevor der nächste Ausdruck erfolgt.

Bei der Verwendung einer seriellen Schnittstelle mit langsamer Datenübertragungsgeschwindigkeit können beim Drucken von Grafiken oder abgestuftem Text, die große Datenmengen erfordern, auf dem Ausdruck eventuell Streifen erscheinen.

USB-Schnittstellen sind eventuell anfällig für elektromagnetische Funkstörungen des Hosts oder der Umgebung.

Verwenden Sie in diesem Fall ein Kabel mit Ferritkernen an beiden Enden, das elektromagnetische Störungen sehr effektiv beseitigt.

## **3.16 Download-Website für verschiedene elektronische Dateien**

Auf der folgenden Website erhalten Sie weitere Support-Informationen und können die neuesten Dokumente, Treiber, Utilities usw. herunterladen.

<https://www.citizen-systems.co.jp/en/printer/download/>

# 4. WARTUNG UND FEHLERBEHEBUNG

## 4.1 Regelmäßige Reinigung

### So warten Sie die Außenfläche des Druckers

Schalten Sie den Drucker aus. Ziehen Sie Handschuhe an und wischen Sie ihn mit einem weichen Tuch oder saugfähiger Watte ab.

Ziehen Sie davor unbedingt den Stecker des Netzkabels aus der Steckdose.



### VORSICHT

- Längerer Gebrauch von Reinigungsmitteln kann zu einer Aufhellung des äußeren Gehäuses führen.
- Wenn Sie als Reinigungsmittel eine zugelassene Chemikalie verwenden, testen Sie diese vorher und beachten Sie immer die vom Hersteller empfohlene Vorgehensweise.
- Reinigen Sie nicht mit Ethanol, wenn in der Nähe ein offenes Feuer vorhanden ist, da Ethanol extrem brennbar ist.
- Verwenden Sie ein weiches Tuch, wenn Sie die Chemikalien auf dem Drucker verteilen. Nicht direkt auf den Drucker sprühen oder gießen.
- Wischen Sie das Desinfektionsmittel nach dem Reinigungsvorgang mit einem weichen, feuchten Tuch ab. Es sollten keine Flüssigkeitstropfen auf dem Drucker zurückbleiben.
- Das Innere des Druckers darf nicht eingeweicht oder abgewischt werden und es darf kein Desinfektionsmittel in das Innere gelangen. Anderenfalls kann es zu einem Produktausfall kommen.

### So reinigen Sie den Druckkopf und die Walze

Wenn der Druckkopf, die Walze oder andere Teile des Druckers verschmutzt sind, druckt der Drucker möglicherweise nicht sauber oder es kann zu einer Fehlfunktion kommen. Es wird empfohlen, das Gerät in regelmäßigen Abständen (etwa alle zwei bis drei Monate) nach dem folgenden Verfahren zu reinigen.

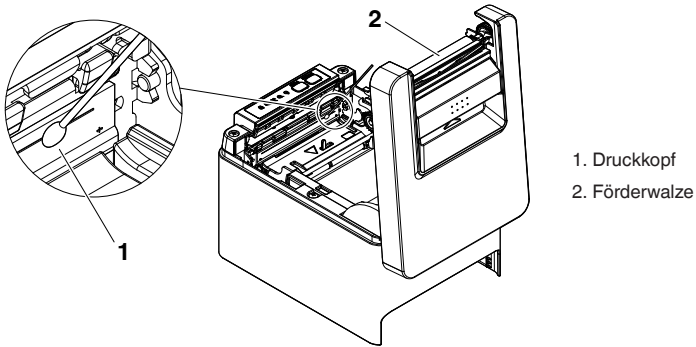
#### **1. Schalten Sie das Gerät aus.**

Ziehen Sie davor unbedingt den Stecker des Netzkabels aus der Steckdose.

#### **2. Ziehen Sie den Hebel zum Öffnen der Abdeckung zu sich hin, um die Papierabdeckung zu öffnen.**

#### **3. Lassen Sie den Druckkopf einige Minuten abkühlen.**

4. Befeuchten Sie ein Wattestäbchen mit Ethylalkohol und wischen Sie alle Schmutz- und Staubablagerungen vom Druckkopf und von der Förderwalze ab.



## VORSICHT

- Achten Sie beim Öffnen der Papierabdeckung darauf, nicht den Zugang zur Klinge des automatischen Papierschneiders zu berühren.
- Unmittelbar nach dem Drucken ist der Druckkopf noch sehr heiß. Achten Sie darauf, ihn nicht mit Ihren Händen zu berühren.
- Vermeiden Sie es, den Druckkopf mit bloßen Händen oder Metallgegenständen zu berühren.



Siehe VORSICHTSMASSNAHMEN BEI DER HANDHABUNG DES DRUCK-

ERS

## 4.2 Beheben eines Cutterfehlers

Die CUTTER LED blinkt, wenn die Klinge des automatischen Papierschneiders während des automatischen Schneidevorgangs aufgrund einer Blockierung durch eingedrungene Fremdkörper, Papierstau usw. ausgefahren bleibt.

Wenn ein Cutterfehler auftritt, muss dieser wie folgt behoben werden.

1. Schalten Sie das Gerät ein.
2. Ziehen Sie den Hebel zum Öffnen der Abdeckung zu sich hin, um die Papierabdeckung zu öffnen.
3. Entfernen Sie das gestaute Papier sowie etwaige Papierfetzen. (Entnehmen Sie auch die in den Halter eingesetzte Papierrolle.)
4. Setzen Sie die Papierrolle wieder ein, und schließen Sie die Papierabdeckung.



### VORSICHT

- Achten Sie beim Öffnen der Papierabdeckung darauf, nicht den Zugang zur Klinge des automatischen Papierschneiders zu berühren.
- Unmittelbar nach dem Drucken ist der Druckkopf noch sehr heiß. Achten Sie darauf, ihn nicht mit Ihren Händen zu berühren.
- Vermeiden Sie es, den Druckkopf mit bloßen Händen oder Metallgegenständen zu berühren.



Siehe VORSICHTSMASSNAHMEN BEI DER HANDHABUNG DES DRUCK-

ERS

## 4.3 Aufheben des Druckstopps, der durch einen Papierstau verursacht wurde

Der Papierstausensor erkennt einen Papierstau am Papierausgabebereich und stoppt den Druckvorgang.

Verwenden Sie das folgende Verfahren, um einen durch einen Papierstau verursachten Druckstopp aufzuheben.

1. Entfernen Sie Papier, das sich im Papierausgabebereich gestaut hat.
2. Wenn es sich nicht entfernen lässt, öffnen Sie die Papierabdeckung und entfernen Sie das Papier.

**3. Legen Sie Papier ein, schließen Sie die Papierabdeckung, und vergewissern Sie sich, dass die PAPER LED ausgeschaltet ist.**

## 4.4 Selbsttest

Mithilfe des Selbsttests kann nach Druckerproblemen gesucht werden.

### Durchführen eines Selbsttests

1. Vergewissern Sie sich, dass Papier eingelegt ist. Drücken und halten Sie die FEED-Taste gedrückt, und schalten Sie gleichzeitig das Gerät ein.
2. Halten Sie die FEED-Taste für etwa eine Sekunde gedrückt, bis der Signalton ertönt. Lassen Sie die Taste los, um den Selbsttest zu starten. Der Drucker druckt seine Modellbezeichnung und Version, die Speicherschalter-Einstellungen sowie eine Liste der eingebauten Schriftarten.

```
CT-E601 ← 1
FA00-XXXX
20XX-XX-XX
PROG : BOT-XXX XXX
FPGA : RBF-XXX XXX
FONT : ANK-XXX XXX
FONT : ANK-XXX XXX
CONF : J3R-3R
SUM:XXXX-XXXX
Interface Type
Serial
Serial Interface
Baud rate :9600
Data bit :8 bits
Parity :None
Handshaking :DTR/DSR
Buffer Size
4K Bytes
```

```
Memory switches
Memory SW( 1) 00000000
Power ON Info (Valid)
Buffer Size (4K bytes)
Busy Condition (Full/Err)
Receive Error (Print ?)
CR Mode (Ignored)
DSR Signal (Invalid)
Init Signal (Invalid)
Memory SW( 2) 00001011
Auto Cutter (Valid)
Spool Print (Invalid)
Full Col Print (WaitData)
Resume aft PE (Next)
PNE Sensor (Valid)
Memory SW( 3) 00000010
Resume Ctr Err (Valid)
PE signal by PNE (Invalid)
CRH1000 Mode (Invalid)
Resume Open Err (Close)
Memory SW( 4) 10000100
Feed&Cut at TOF (Valid)
Partial Only (Valid)
Memory SW( 5) 00000100
Buzzer (Valid)
Line Pitch (1/360)
USB Mode (Printer Class)
```

- 1: Name des Druckertyps
- 2: Firmwareversion
- 3: Schnittstelleneinstellungen
- 4: Puffergröße
- 5: Speicherschalter-Einstellungen



## 4.5 Hexdump-Ausdruck

Die empfangenen Daten werden hexadezimal ausgedruckt. Wenn Probleme wie fehlende oder duplizierte Daten auftreten, können Sie mit dieser Funktion überprüfen, ob der Drucker die Daten korrekt empfängt.

### Erstellen eines Hexdump-Ausdrucks

1. Legen Sie Papier ein.
2. Halten Sie bei geöffneter Papierabdeckung die FEED-Taste gedrückt und schalten Sie gleichzeitig das Gerät ein. Halten Sie die FEED-Taste so lange gedrückt, bis die POWER LED zu blinken beginnt, und schließen Sie dann die Papierabdeckung.
3. Der Drucker druckt die Zeichenfolge „HEX dump print mode“, die empfangenen Daten in Form von Hexadezimalzeichen sowie einige weitere Zeichen aus.

### Abbrechen eines Hexdump-Ausdrucks

Der Druckvorgang kann auf eine der folgenden Arten abgebrochen werden.

- Die FEED-Taste dreimal nacheinander drücken.
- Schalten Sie das Gerät aus.
- Über eine der Schnittstellen trifft ein Reset-Befehl ein.

#### **Hinweise**

- Wenn für einzelne Daten keine Zeichen verfügbar sind, wird für diese als Platzhalter „.“ gedruckt.
- Während der Erstellung eines Hexdump-Ausdrucks stehen keine Befehlsfunktionen zur Verfügung.
- Wenn die empfangenen Daten keine ganze Zeile ausfüllen, betätigen Sie die FEED-Taste, um einen Papiervorschub auszulösen.

Beispielausdruck

HEX dump print mode

```
61 62 63 64 65 66 67 0A 0D 0D 0D 0D abcdefg.....  
0D 0D 0D                                     .....
```

## 4.6 Fehleranzeige

- Papierende, wenig Papier

Die Papierende-Erkennung arbeitet in zwei Stufen: wenig Papier und Papierende. Die PAPER LED blinkt, wenn der Papiervorrat zur Neige geht. Bereiten Sie eine neue Papierrolle vor.

Wenn kein Papier mehr vorhanden ist, leuchtet die PAPER LED und ein Signalton ertönt. Setzen Sie eine neue Papierrolle ein. Mithilfe der Speicherschalter-Einstellungen kann der Signalton deaktiviert werden.

- Abdeckung offen

Wenn die Abdeckung geöffnet ist, leuchtet die COVER LED-Anzeige und ein Signalton ertönt.

Je nach Einstellung des Speicherschalters wird eventuell kein Signalton ausgegeben.

Die Abdeckung darf während des Druckens nicht geöffnet werden. Wenn die Abdeckung unbeabsichtigt geöffnet wird, blinkt die COVER LED. Überprüfen Sie das Papier und ziehen Sie einige Zentimeter geradlinig aus dem Drucker heraus, bevor Sie die Abdeckung wieder schließen. Der Druckvorgang wird fortgesetzt. Bei entsprechender Speicherschalter-Einstellung kann es erforderlich sein, einen Befehl zum Fortsetzen des Druckvorgangs zu senden.

- Cutterfehler

Wenn sich der automatische Papierschneider aufgrund eines Papierstaus oder aus anderen Gründen nicht bewegen kann, leuchtet die CUTTER LED und ein Signalton ertönt. Beseitigen Sie die Fehlerursache, und betätigen Sie anschließend die FEED-Taste. Wenn sich der automatische Papierschneider anschließend noch immer nicht bewegt und sich die Papierabdeckung nicht öffnen lässt, siehe Abschnitt „Beheben eines Cutterfehlers“.



**Siehe 4.2 Beheben eines Cutterfehlers**

- Druckstopp wegen Papierstau

Wenn ein Papierstau am Papierausbereich auftritt, blinkt die PAPER LED und der Druckvorgang stoppt.

Entfernen Sie das gestaute Papier und legen Sie neues Papier ein.


















**Siehe 4.3 Aufheben des Druckstopps, der durch einen Papierstau verursacht wurde**

● Druckkopf zu heiß

Wenn Sie Text mit engem Zeichenabstand oder Grafiken mit hohem Schwarzanteil drucken oder der Druckvorgang in einer warmen Umgebung lange Zeit andauert, erhöht sich die Druckkopftemperatur. Wenn dabei ein bestimmter Temperaturwert überschritten wird, unterbricht der Drucker den Druckvorgang und wartet, bis der Druckkopf abgekühlt ist. In diesem Fall blinken die PAPER LED-, CUTTER LED- UND COVER LED. Der Druckvorgang wird automatisch fortgesetzt, sobald der Druckkopf abgekühlt ist.

In der folgenden Tabelle werden verschiedene Statusanzeigen dargestellt und erläutert.

Status	POWER LED	PAPER LED	CUTTER LED	COVER LED	SERVICE LED	Signalton *1
Wenig Papier	Leuchtet		Leuchtet nicht	Leuchtet nicht	Leuchtet nicht	Nein
Papierende	Leuchtet	Leuchtet	Leuchtet nicht	Leuchtet nicht	Leuchtet nicht	Ja*2
Abdeckung geöffnet*3	Leuchtet	Leuchtet nicht	Leuchtet nicht	Leuchtet	Leuchtet nicht	Ja*2
Abdeckung geöffnet II*4	Leuchtet	Leuchtet nicht	Leuchtet nicht		Leuchtet nicht	Ja*2
Papierschneider blockiert	Leuchtet	Leuchtet nicht		Leuchtet nicht	Leuchtet nicht	Ja
Druckstopp wegen Papierstau	Leuchtet		Leuchtet nicht	Leuchtet nicht	Leuchtet nicht	Nein
Unterspannungsfehler	Leuchtet				Leuchtet nicht	Nein
Überspannungsfehler	Leuchtet	Leuchtet nicht	Leuchtet nicht	Leuchtet nicht		Nein
Systemfehler	Leuchtet	Leuchtet nicht	Leuchtet nicht	Leuchtet nicht		Nein
Speicherfehler	Leuchtet nicht	Leuchtet nicht	Leuchtet nicht	Leuchtet nicht		Nein
Druckkopf zu heiß	Leuchtet				Leuchtet nicht	Nein
Makro-Arbeitung wird abgewartet		Leuchtet nicht	Leuchtet nicht	Leuchtet nicht	Leuchtet nicht	Nein
Datenempfang		Leuchtet nicht	Leuchtet nicht	Leuchtet nicht	Leuchtet nicht	Nein

Hinweise:

\*1 Signalton ertönt, wenn MSW5-1 (Signalton-Einstellung) auf ON gesetzt ist.

\*2 Durch das Einstellen von MSW10-5 (Ausgabe des Signaltons) kann der Signalton deaktiviert werden.

\*3 Wird angezeigt, wenn eine Abdeckung im Standby geöffnet wird.

\*4 Wird angezeigt, wenn während des Druckvorgangs eine Abdeckung geöffnet wird.

## 4.7 Papierstau

Achten Sie darauf, dass während des Druckvorgangs der Papierausgang nicht blockiert wird und keine Papierstaus um den Ausgabebereich auftreten.

Wenn das Papier nicht ausgegeben werden kann, rollt es sich eventuell auf der Förderwalze im Druckerinneren auf und kann einen Fehler verursachen.

Wenn sich das Papier um die Förderwalze wickelt, öffnen Sie die Papierabdeckung und ziehen Sie es vorsichtig heraus.

## 4.8 Vorsichtshinweise beim Drucken mit sich ändernder Druckgeschwindigkeit

Beim Drucken mit sich ändernder Druckgeschwindigkeit werden eventuell weiße Linien gedruckt oder das Papier wird je nach Druckbedingungen womöglich nicht vorgeschoben. Um diesen Problemen vorzubeugen, ändern Sie die folgenden Speicherschaltereinstellungen.

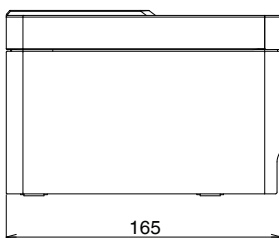
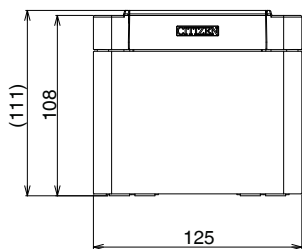
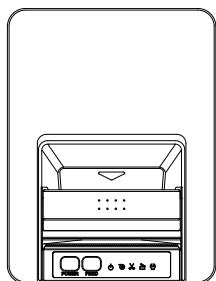
1. **Aktivieren Sie MSW2-3 (Pufferung).**
2. **Erhöhen Sie die Baudrate von MSW7-1 (serielle Baudrate).**
3. **Ändern Sie MSW10-2 (Druckgeschwindigkeit) auf ein niedrigeres Niveau.**

Hinweise
Je nach der Übertragungsgeschwindigkeit der seriellen Schnittstelle, der Umgebungstemperatur, der Druckdatenmenge und anderer Faktoren wird das Ändern der obigen Einstellungen die Probleme nicht beheben.

# 5. SONSTIGES

## 5.1 Äußere Ansicht und Abmessungen

(Einheit: mm)

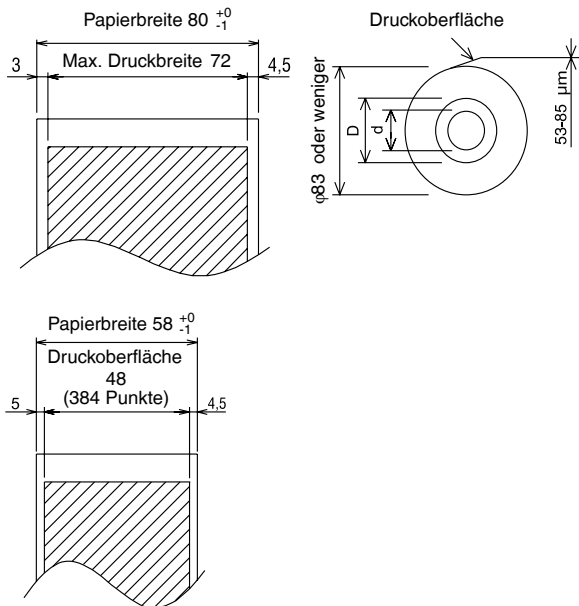


## 5.2 Druckpapier

Verwenden Sie die in der nachstehenden Tabelle genannten Papiertypen oder Papier gleichwertiger Qualität.

Papiertyp	Produktbezeichnung
Empfohlenes Thermo-Rollenpapier	Nippon Paper TP50KR-2Y, TP50KJ-R, TL69KS-LH, TF50KS-E2D
	Oji Paper PD150R, PD160R, PD160R-63
	Mitsubishi Paper Mills HP220AB-1, P220AB
	Koehler KT48-FA

(Einheit: mm)



Papierdicke ( $\mu\text{m}$ )	53 bis 85
Kerninnendurchmesser d (mm)	$\varnothing 12$
Kernaußendurchmesser D (mm)	$\varnothing 18$

## **Hinweise**

### **Das verwendete Thermopapier muss wie folgt aufgerollt sein:**

- Ohne Knicke und Falten, eng auf den Kern gewickelt.
- Nicht gefaltet.
- Nicht auf den Kern aufgeklebt.
- Mit der bedruckbaren Seite nach außen gewickelt.

## 5.3 Manuelle Einstellung von Speicherschaltern

Mit den Speicherschaltern können verschiedene Einstellungen für den Drucker festgelegt werden. Die Speicherschalter können manuell oder mithilfe von Dienstprogrammen oder Befehlen eingestellt werden. In diesem Abschnitt wird die Durchführung der manuellen Einstellungen erläutert.

Informationen zum Einstellen der Speicherschalter über Befehle entnehmen Sie bitte der Befehlsreferenz.

### Schnelleinstellungsmodus

Die Speicherschalter für Hersteller, Modell, Papierbreite und Zeichenabstand eines Ersatzdruckers können gleichzeitig auf die optimalen Einstellungen gesetzt werden.

Kontrollieren Sie, während Sie die Einstellungen vornehmen, die jeweils gewählten Optionen im Ausdruck.

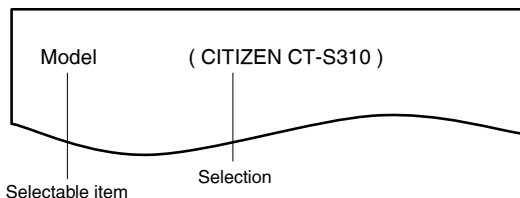
#### **1. Legen Sie Papier ein.**

#### **2. Drücken und halten Sie die FEED-Taste bei geöffneter Papierabdeckung gedrückt, und schalten Sie gleichzeitig das Gerät ein.**

#### **3. Drücken Sie dreimal die FEED-Taste, und schließen Sie die Papierabdeckung.**

Der Drucker wechselt in den Speicherschalter-Schnelleinstellungsmodus.

Die wählbare Option „Modell“ und die entsprechende Auswahl werden gedruckt.



#### **4. Drücken Sie auf die FEED-Taste.**

Bei jedem Druck auf die FEED-Taste wird in zyklischer Reihenfolge eine Auswahl gedruckt.

Drücken Sie die FEED-Taste, bis die gewünschte Auswahl gedruckt wird.

#### **5. Drücken Sie die FEED-Taste mindestens zwei Sekunden lang.**

Die Auswahl wird festgelegt.

Falls eine andere wählbare Option vorhanden ist, wird sie zusammen mit der Auswahl gedruckt.



**6. Wiederholen Sie die Schritte 4 und 5, um Druckermodell, Papierbreite und Zeichenabstand auszuwählen und festzulegen (nur bei EPSON T88).**

Wenn alle Optionen festgelegt sind, wird „Save To Memory“ gedruckt.

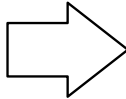
**7. Drücken Sie die FEED-Taste mindestens zwei Sekunden lang.**

Die geänderten Speicherschalter-Einstellungen werden gespeichert und eine Liste davon gedruckt.

Der Drucker verlässt den Schnelleinstellungs-Modus, wenn der Druck abgeschlossen ist.

**Gewählte Option**

Manufacturer	Paper width	Character space
CITIZEN CT-S310	58 mm	-
	80 mm	-
EPSON T88	58 mm	0 dot
		1 dot
	80 mm	0 dot
		1 dot
EPSON 203dpi	80 mm	-
	58 mm	-



**Automatische Einstellung der Speicherschalter**

MSW2-4 Full Col Print	MSW3-7 CBM1000 Mode	MSW8-1 Print Width	MSW6-2 Character Space
WaitData	Invalid	384 dots	-
WaitData	Invalid	576 dots	-
WaitData	Invalid	360 dots	0 dot
WaitData	Invalid	390 dots	1 dot
WaitData	Invalid	512 dots	0 dot
WaitData	Invalid	546 dots	1 dot
WaitData	Invalid	576 dots	0 dot
WaitData	Invalid	420 dots	-

## Individueller Einstellungsmodus

Stellen Sie die Speicherschalter individuell ein.

Nehmen Sie die Einstellungen vor, während Sie die Speicherschalterfunktion und die Einstellungen auf dem Ausdruck prüfen.

**1. Legen Sie Papier ein.**

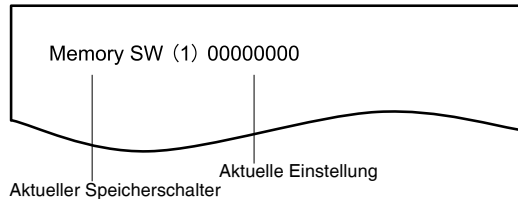
**2. Drücken und halten Sie die FEED-Taste bei geöffneter Papierabdeckung gedrückt, und schalten Sie gleichzeitig das Gerät ein.**

**3. Drücken Sie zwei Mal auf die FEED-Taste, und schließen Sie die Papierabdeckung.**

Der Drucker wechselt in den Modus zum individuellen Einstellen der Speicherschalter.

Der Drucker druckt „Memory SW (1)“ und die aktuelle Einstellung sowie 0 (aus) oder 1 (ein).

(Die aktuellen Einstellungen für die Speicherschalter 7 bis 13 werden nicht gedruckt.)



**4. Drücken Sie auf die FEED-Taste.**

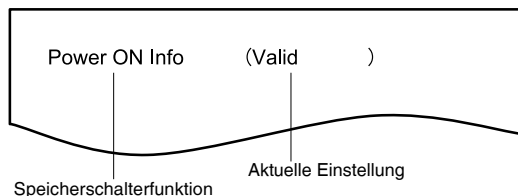
Mit jedem Betätigen der FEED-Taste wird durch die Liste der Speicherschalter in folgender Reihenfolge gewechselt: „Memory SW (1)“ > „Memory SW (2)“ > ..., „Memory SW (11)“ oder „Memory SW (13)“ > „Save To Memory“ > „Memory SW (1)“.

Drücken Sie so lange auf die FEED-Taste, bis die Nummer des zu ändernden Speicherschalters gedruckt wird.

**5. Drücken Sie die FEED-Taste mindestens zwei Sekunden lang.**

Die Einstellung für den Speicherschalter, der durch Drücken auf die FEED-Taste für mindestens zwei Sekunden während des Blätterns durch den Zyklus aufgerufen wird, wird gedruckt.

Drücken Sie für mindestens zwei Sekunden auf die FEED-Taste, um durch die Liste zu blättern, bis die Funktion des zu ändernden Speicherschalters gedruckt wird.



#### **6. Drücken Sie auf die FEED-Taste.**

Mit jedem Betätigen der FEED-Taste wird eine Einstellung gedruckt entsprechend der Reihenfolge des Zyklus.

Beim Drucken der aktuellen Einstellungen leuchtet die COVER LED.

Drücken Sie so lange auf die FEED-Taste, bis die gewünschte Einstellung gedruckt wird.

#### **7. Drücken Sie die FEED-Taste mindestens zwei Sekunden lang.**

Die ausgewählten Einstellungen werden konfiguriert.

Die nächste Speicherschalterfunktion und deren Einstellungen werden gedruckt.

#### **8. Wiederholen Sie die Schritte 5 bis 7, um die verschiedenen Funktionen für die aktuelle Speicherschalternummer zu ändern.**

#### **9. Öffnen und schließen Sie die Papierabdeckung.**

Die geänderten Speicherschaltereinstellungen werden gedruckt.

#### **10. Wiederholen Sie die Schritte 4 bis 9, um die Funktionen einer anderen Speicherschalternummer zu ändern.**

#### **11. Drücken Sie so lange auf die FEED-Taste, bis „Save To Memory“ gedruckt wird.**

#### **12. Drücken Sie die FEED-Taste mindestens zwei Sekunden lang.**

Die geänderten Speicherschalter-Einstellungen werden gespeichert und eine Liste davon gedruckt.

Der Drucker beendet den individuellen Einstellungsmodus nach dem Abschluss des Druckvorgangs.

### **Zurücksetzen der Speicherschalter**

Stellt alle Speicherschalter auf die werksseitigen Voreinstellungen zurück.

#### **1. Führen Sie die Schritte 1 bis 3 wie zum Aufrufen des individuellen Einstellungsmodus aus.**

#### **2. Drücken Sie so lange auf die FEED-Taste, bis „Save To Memory“ gedruckt wird.**

#### **3. Öffnen Sie die Papierabdeckung.**

#### **4. Drücken Sie die FEED-Taste mindestens zwei Sekunden lang.**

Alle Speicherschalter werden auf die werksseitigen Voreinstellungen zurückgesetzt.

#### **5. Schließen Sie die Papierabdeckung.**

Nachstehend finden Sie eine Darstellung der einzelnen Speicherschalter. (Die werksseitigen Einstellungen sind schattiert dargestellt.)

Schalter-Nr.	Funktion	OFF	ON
MSW1-1	Power ON Info	Valid	Not Send
MSW1-2	Buffer Size	4K bytes	45 bytes
MSW1-3	Busy Condition	Full/Err	Full
MSW1-4	Receive Error	Print*?"	No Print
MSW1-5	CR Mode	Ignored	LF
MSW1-6	Reserved	Fixed	—
MSW1-7	DSR Signal	Invalid	Valid
MSW1-8	INIT Signal	Invalid	Valid
MSW2-1	Reserved	—	Fixed
MSW2-2	Auto Cutter	Invalid	Valid
MSW2-3	Spool Print	Invalid	Valid
MSW2-4	Full Col Print	LineFeed	WaitData
MSW2-5	Resume aft PE	Next	Top
MSW2-6	Reserved	Fixed	—
MSW2-7	Reserved	Fixed	—
MSW2-8	PNE Sensor	Valid	Invalid
MSW3-1	Resume Ctrr Err	Valid	Invalid
MSW3-2	PE signal by PNE	Valid	Invalid
MSW3-3	Reserved	Fixed	—
MSW3-4	Reserved	Fixed	—
MSW3-5	Reserved	Fixed	—
MSW3-6	Reserved	Fixed	—
MSW3-7	CBM1000 Mode	Invalid	Valid
MSW3-8	Resume Open Err	Close	Command
MSW4-1	Reserved	Fixed	—
MSW4-2	Reserved	Fixed	—
MSW4-3	Feed&Cut at TOF	Invalid	Valid
MSW4-4	Reserved	Fixed	—
MSW4-5	Reserved	Fixed	—
MSW4-6	Reserved	Fixed	—
MSW4-7	Reserved	Fixed	—
MSW4-8	Partial Only	Invalid	Valid
MSW5-1	Buzzer	Valid	Invalid
MSW5-2	Line Pitch	1/360	1/406
MSW5-3	USB Mode	Virtual COM	Printer Class
MSW5-4	Reserved	Fixed	—
MSW5-5	Reserved	Fixed	—
MSW5-6	Reserved	Fixed	—
MSW5-7	Reserved	Fixed	—
MSW5-8	Reserved	Fixed	—
MSW6-1	Act. For Driver	Invalid	Valid
MSW6-2	Character Space	Invalid	Valid
MSW6-3	USB Power Save	Invalid	Valid
MSW6-4	Reserved	Fixed	—
MSW6-5	Reserved	Fixed	—
MSW6-6	Reserved	Fixed	—
MSW6-7	USB Power@PW-OFF	Invalid	Valid

Schalter-Nr.	Funktion	OFF	ON
MSW6-8	Power ON trigger	Power switch ON	AC power input

Schalter-Nr.	Funktion	Voreinstellung	Einstellwert
MSW7-1	Baud Rate	9600 bps	1200 bps, 2400 bps, 4800 bps, 9600 bps, 19200 bps, 38400 bps, 57600 bps, 115200 bps
MSW7-2	Data Length	8bits	7bits, 8bits
MSW7-3	Stop Bit	1bit	1bit, 2bits
MSW7-4	Parity	NONE	NONE, ODD, EVEN
MSW7-5	Flow Control	DTR/DSR	DTR/DSR, XON/XOFF
MSW7-6	DMA Control	Valid	Valid, Invalid
MSW7-7	VCom Protocol	PC Setting	PC Setting, DTR/DSR, XON/XOFF
MSW8-1	Print Width	576 dots	576 dots, 546 dots, 512 dots, 420 dots, 390 dots, 384 dots, 360 dots
MSW8-3	Top Margin	12 mm	2 mm, 3 mm, 4 mm, 5 mm, 6 mm, 7 mm, 8 mm, 9 mm, 10 mm, 11 mm, 12 mm
MSW8-4	Line Gap Reduce	Invalid	Invalid, 3/4, 2/3, 1/2, 1/3, 1/4, 1/5, ALL
MSW8-5	Reduced Char V/H	100% / 100%	100% / 100%, 75% / 100%, 50% / 100%, 100% / 75%, 75% / 75%, 50% / 75%
MSW8-6	Auto Side Shift	Invalid	Invalid, 1 dot, 2 dots, 3 dots, 4 dots, 5 dots, 6 dots, 7 dots
MSW9-1	Code Page	PC437	PC 437, Katakana, PC 850, PC 858, PC 860, PC 863, PC 865, PC 852, PC 866, PC 857, WPC1252, Space page, PC 864, ThaiCode11 1Pass, ThaiCode11 3Pass, ThaiCode18 1Pass, ThaiCode18 3Pass, TCVN-3, WPC1258
MSW9-2	Int'Char Set	U.S.A	USA, France, Germany, England, Denmark, Sweden, Italy, Spain, Japan, Norway, Denmark 2, Spain 2, Latin America, Korea, Croatia, China, Vietnam
MSW9-4	Kanji code	Invalid	Disabled, JIS (Japan), SJIS: CP932 (Japan), SJIS: X0213 (Japan), GB18030 (China), KS Hangul (South Korea), EUC Hangul (South Korea), BIG5-HKSCS
MSW10-1	Print Density	100 %	70 %, 75 %, 80 %, 85 %, 90 %, 95 %, 100 %, 105 %, 110 %, 115 %, 120 %, 125 %, 130 %, 135 %, 140 %
MSW10-2	Print Speed	Level 9	Level 1, Level 2, Level 3, Level 4, Level 5, Level 6, Level 7, Level 8, Level 9
MSW10-4	Old Command	Invalid	Invalid, CBM1, CBM2
MSW10-5	Buzzer Event	Not By C. Open	All Event/Error, Not by C.Open, Not by C.Open/PE
MSW10-6	Buzzer Sound	Tone 2	Tone 1, Tone 2, Tone 3, Tone 4
MSW13-1	Security/Target	Low/All	Low/All, Mid/All, Mid/Paired only, Hi/All, Hi/Paired only
MSW13-5	BT Device Scan	Discoverable	No Response, Discoverable
MSW13-6	Auto Reconnect	Valid	Invalid, Valid

**ITALIANO**

## PRECAUZIONI GENERALI

- Prima di utilizzare questo prodotto, leggere attentamente il presente manuale. Dopo aver letto il manuale, conservarlo in un luogo sicuro e di facile accesso per l'utilizzo futuro.
- Le informazioni contenute in questo documento sono soggette a modifiche senza preavviso.
- Nessuna parte di questo documento può essere riprodotta o trasferita senza il consenso scritto di Citizen Systems.
- Si prega di tener presente che Citizen Systems non è responsabile di eventuali problemi causati da omissioni, errori di scrittura o di stampa presenti in questo manuale.
- Citizen Systems non è responsabile di nessun problema causato dall'utilizzo di accessori o prodotti di consumo non indicati in questo manuale.
- Salvo diversamente specificato nel presente manuale, non svolgere senza autorizzazione operazioni di manutenzione, smontaggio o riparazione del prodotto.
- Citizen Systems non è responsabile per qualsiasi tipo di danno riconducibile al funzionamento/trattamento non corretto dell'apparecchiatura o all'utilizzo in ambienti non adeguati, specificati in questo manuale.
- I dati della stampante sono principalmente destinati ad un utilizzo temporaneo e non vengono memorizzati per un lungo periodo o in modo permanente. Citizen Systems non è responsabile di eventuali danni o perdite di profitto derivanti dalla perdita di dati causata da incidenti, riparazioni, test o altro.
- Se si rilevano omissioni, errori o in caso di dubbi, contattare il proprio rivenditore Citizen Systems.
- Se si riscontrano pagine mancanti o inesattezze, contattare il proprio rivenditore Citizen Systems per la sostituzione.

L'uso dell'adesivo "Made for Apple" significa che un accessorio è stato progettato per essere collegato specificamente al prodotto o ai prodotti Apple indicati sull'adesivo ed è stato certificato dagli sviluppatori come conforme agli standard di performance Apple.

Apple non è responsabile per il funzionamento di tale dispositivo o per la sua conformità agli standard di sicurezza e normativi.

L'uso di questo accessorio con un prodotto Apple potrebbe influire negativamente sulle prestazioni wireless.

- Apple, Apple TV, Apple Watch, iPad, iPad Air, iPad Pro, iPhone, and Lightning are trademarks of Apple Inc., registered in the U.S. and other countries. tvOS is a trademark of Apple Inc. The trademark "iPhone" is used in Japan with a license from Apple K.K.

- EPSON ed ESC/POS sono marchi registrati di Seiko Epson Corporation.
- QR Code è un marchio registrato di DENSO WAVE INCORPORATED.
- Ethernet è un marchio registrato di Fuji Xerox Corporation.
- Bluetooth® è un marchio registrato di Bluetooth-SIG Inc.
- CITIZEN è un marchio registrato di Citizen Watch Co., Ltd.
- Tutti gli altri marchi sono di proprietà dei rispettivi titolari.
- Citizen Systems utilizza i suddetti marchi con licenza dei rispettivi proprietari.

Copyright© CITIZEN SYSTEMS JAPAN CO., LTD. 2021



# PRECAUZIONI DI SICUREZZA - DA OSSERVARE RIGOROSAMENTE

Prima di utilizzare il prodotto per la prima volta, leggere attentamente le PRECAUZIONI DI SICUREZZA. L'uso improprio può causare incidenti (incendi, scosse elettriche o lesioni).

Per evitare il rischio di lesioni ad operatori e a terzi o danni ad oggetti, nel presente manuale vengono usati speciali simboli di avvertenza per indicare i punti importanti che richiedono una stretta osservanza.

- Dopo aver letto il presente manuale, conservarlo in un luogo sicuro e di facile accesso per l'utilizzo futuro.
- Alcune descrizioni contenute nel manuale potrebbero non essere rilevanti per alcuni modelli di stampante.

Quanto segue è la descrizione del livello di rischio e di danno che potrebbe verificarsi se la stampante non viene usata correttamente, ignorando le istruzioni fornite dai simboli di avvertenza. Leggere attentamente queste informazioni.



## AVVERTENZA

La mancata osservanza delle precauzioni indicate da questo simbolo potrebbe causare lesioni mortali o gravi.



## ATTENZIONE

La mancata osservanza delle precauzioni indicate da questo simbolo potrebbe provocare lesioni personali o danni materiali.



Questo simbolo viene usato per richiamare l'attenzione su punti importanti.



Questo simbolo viene usato per richiamare l'attenzione sul pericolo di scosse elettriche o danni elettrostatici.



Questo simbolo indica la necessità di scollegare la stampante dalla presa a muro.



Questo simbolo viene usato per indicare che l'alimentazione deve essere collegata a terra.



Questo simbolo è utilizzato per indicare informazioni utili, quali procedure, istruzioni o altri dati simili.



Questo simbolo viene usato per indicare operazioni vietate.

# PRECAUZIONI PER L'INSTALLAZIONE DELLA STAMPANTE



## AVVERTENZA

■ **Non utilizzare o custodire il prodotto in luoghi dove potrebbe essere esposto a:**

- \* Fiamme o umidità.
- \* Luce solare diretta.
- \* Correnti d'aria calda o radiazioni provenienti da un apparecchio di riscaldamento.
- \* Aria salmastra o gas corrosivi.
- \* Ambiente mal ventilato.
- \* Reazioni chimiche di laboratorio.
- \* Olio, particelle di acciaio o polvere trasportati dall'aria.
- \* Elettricità statica o forti campi magnetici.



■ **Nei suddetti ambienti vi è il rischio di danneggiare la stampante o causare guasti, surriscaldamenti, emissioni di fumo, incendi o scosse elettriche.**

**Adottare tutte le misure necessarie per evitare incendi e scosse elettriche.**

■ **Non lasciar cadere oggetti estranei e non versare liquidi all'interno della stampante. Inoltre, non depositare nessun oggetto sulla stampante.**

■ **Non far cadere oggetti metallici come graffette, punti metallici o viti nella stampante.**

■ **Evitare di collocare vasi da fiori, tazze o oggetti contenenti acqua sulla stampante.**

■ **Attenzione a non versare caffè, bibite o qualsiasi altro tipo di liquido nella stampante.**

■ **Non spruzzare insetticidi o altre sostanze chimiche liquide sulla stampante.**

■ **La caduta accidentale di oggetti metallici all'interno della stampante può provocare malfunzionamenti, incendi o scosse elettriche.**

**In questo caso, spegnere immediatamente la stampante, scollegarla dalla presa elettrica e contattare il rivenditore locale Citizen Systems.**





## AVVERTENZA

### ■ Evitare di trattare la stampante come segue:

- Evitare che la stampante subisca urti violenti o forti sobbalzi (ad es. non salirvi sopra, farla cadere o urtarla).
- Non tentare di smontare o modificare la stampante.



- ### ■ Le suddette operazioni rischiano di danneggiare la stampante o causare guasti, surriscaldamenti, emissioni di fumo, incendi o scosse elettriche. Adottare tutte le misure necessarie per evitare incendi e scosse elettriche.



**L'uso di questo dispositivo non è appropriato in presenza di bambini. Installare, custodire o utilizzare il dispositivo lontano dalla portata dei bambini.**

- Gli apparecchi elettrici potrebbero provocare lesioni impreviste o incidenti se trattati o utilizzati non correttamente.
- Tenere il cavo di alimentazione e i cavi dei segnali fuori dalla portata dei bambini. Inoltre, ai bambini non deve essere consentito l'accesso alle parti interne della stampante.
- Il sacchetto di plastica che contiene la stampante deve essere tenuto lontano dalla portata dei bambini. Se indossato sul capo può provocare il soffocamento.





## ATTENZIONE

### Non utilizzare la stampante nelle seguenti condizioni:

- Evitare luoghi soggetti a vibrazioni o instabilità.
- Evitare luoghi in cui la stampante non si trova perfettamente in piano.
  - ◆ **La stampante può cadere e provocare lesioni.**
  - ◆ **La qualità di stampa può peggiorare.**
- Non ostruire le aperture di sfogo dell'aria.
- Non depositare nessun oggetto sulla stampante.
- Non coprire o avvolgere la stampante in un panno o una coperta.
  - ◆ **In tal caso si accumulerebbe calore che potrebbe deformare l'alloggiamento o provocare un incendio.**
- Non utilizzare la stampante vicino ad una radio o ad un televisore e non alimentarla dalla stessa presa utilizzata per questi apparecchi.
- Evitare di utilizzare la stampante collegata ad un cavo non protetto dai disturbi.  
(Per le interconnessioni, utilizzare cavi schermati o a doppino intrecciato e nuclei in ferrite o altri dispositivi antidisturbo.)
- Evitare di usare la stampante con un dispositivo che può causare forti disturbi.
  - ◆ **La stampante potrebbe avere effetti negativi sulle trasmissioni radio o TV. In alcuni casi gli apparecchi elettrici potrebbero influenzare in modo negativo la stampante, causando errori nella trasmissione dei dati o malfunzionamenti.**
- Se la stampante viene installata orientandola diversamente da quanto specificato.
  - ◆ **Possono verificarsi malfunzionamenti, guasti o scosse elettriche.**





## ATTENZIONE

### ■ Collegare la stampante a terra.

- Le dispersioni elettriche possono causare scosse.

### ■ Non collegare la messa a terra della stampante ai seguenti punti:

#### \* Tubazioni del gas

- Potrebbe verificarsi un'esplosione causata dal gas.

#### \* Linee telefoniche

#### \* Parafulmini

- In caso di fulmini, un forte picco di corrente potrebbe provocare incendi o scosse elettriche.

#### \* Tubazioni dell'acqua

- Le tubazioni idrauliche in plastica non devono essere utilizzate per la messa a terra. (possono essere utilizzate solo quelle approvate dall'Acquedotto).

### ■ Prima di collegare/scollegare il cavo di terra alla/dalla stampante, staccare sempre la spina dalla presa elettrica.



# PRECAUZIONI PER LA MANIPOLAZIONE DELLA STAMPANTE

## AVVERTENZA

Osservare le seguenti precauzioni per l'alimentazione ed il cavo di alimentazione:

- Non collegare o scollegare il cavo di alimentazione con le mani bagnate.
- Utilizzare la stampante solo con la tensione e la frequenza di alimentazione specificate.
- Utilizzare esclusivamente l'alimentatore CA specifico per la stampante.
- Utilizzare esclusivamente il cavo di alimentazione in dotazione con la stampante. Non utilizzare mai il cavo con altri dispositivi.
- Assicurarsi che la presa di alimentazione alla quale è collegata la stampante abbia una potenza sufficiente.
- Non alimentare la stampante da una basetta di alimentazione o da una presa di corrente condivisa con altri apparecchi.
- Non collegare il cavo di alimentazione ad una presa elettrica se ci sono polvere o detriti sulla spina.
- Non utilizzare un cavo di alimentazione deformato o danneggiato.
- Non spostare la stampante mentre è accesa.

◆ **Se la stampante non viene maneggiata correttamente, possono verificarsi guasti, emissioni di fumo, incendi o scosse elettriche.**

◆ **Un sovraccarico può provocare il surriscaldamento del cavo di alimentazione, che può eventualmente prendere fuoco o far scattare l'interruttore di sicurezza.**

- Assicurarsi che non ci siano oggetti sul cavo di alimentazione. Non mettere la stampante in un luogo dove il cavo di alimentazione può essere calpestato.
- Non piegare, torcere o tirare con forza il cavo di alimentazione. Non spostare il prodotto se si riscontrano anomalie di questo tipo.
- Non cercare di modificare il cavo di alimentazione.
- Non posare il cavo di alimentazione vicino a un elemento riscaldante.

◆ **La mancata osservanza di queste precauzioni può danneggiare i conduttori o l'isolamento, con conseguenti dispersioni di corrente, scosse elettriche o guasti alla stampante.**

**Se il cavo di alimentazione è danneggiato, contattare il rivenditore Citizen Systems.**

- Non lasciare oggetti intorno alla presa elettrica.
- Collegare la stampante ad una presa di alimentazione facilmente accessibile in caso di emergenza.





## AVVERTENZA

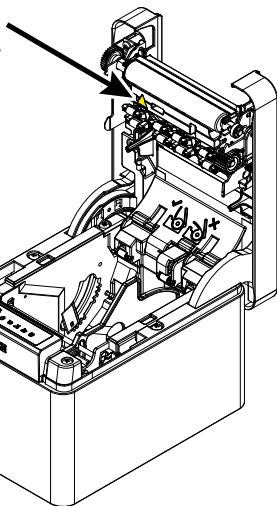
◆ **In caso di emergenza, staccare la spina per spegnere immediatamente la stampante.**

- Inserire la spina di alimentazione a fondo nella presa.
- Se la stampante non deve essere utilizzata per un lungo periodo, staccarla dalla presa elettrica.
- Per collegare o scollegare il cavo di alimentazione o il cavo del segnale, afferrare saldamente la spina e il connettore dopo avere scollegato la stampante e l'apparecchio ad essa collegato.

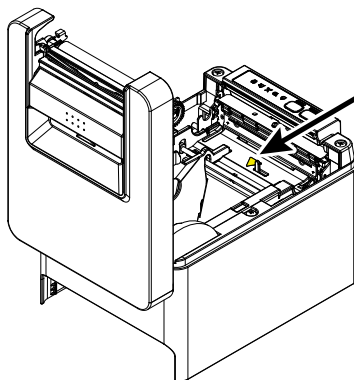


## **ATTENZIONE**

L'etichetta di avvertenza è posizionata come mostrato in figura. Prima di utilizzare la stampante, leggere attentamente le precauzioni per l'uso.



Queste etichette indicano che la testina di stampa può surriscaldarsi con conseguente pericolo di ustioni in caso di contatto; inoltre, se aprendo il coperchio carta si tocca la taglierina automatica, ciò può provocare tagli alle mani.



**Non trasportare la stampante con il rotolo di carta inserito.**

- Possono verificarsi guasti o danneggiamenti.

**Per evitare malfunzionamenti o guasti, osservare quanto segue.**

- Non aprire il coperchio carta durante la stampa.
- Evitare di azionare la stampante senza il rotolo di carta correttamente caricato.
- Evitare l'impiego di carta non conforme alle specifiche.
  - ◆ **La stampa potrebbe risultare di scarsa qualità.**
- Evitare l'utilizzo di fogli di carta strappati o uniti con nastro adesivo in plastica.
- Evitare l'estrazione forzata a mano di carta già inserita.
- Evitare l'utilizzo di uno strumento appuntito o affilato per azionare i pulsanti del pannello.





## ATTENZIONE

■ **Assicurarsi che i connettori dei cavi siano saldamente inseriti nelle relative prese.**

- Un collegamento errato potrebbe danneggiare i circuiti elettronici interni o l'hardware del sistema host.

■ **Alla stampante deve essere collegato un solenoide di apertura cassetto compatibile con le specifiche indicate nel manuale.**

- L'inosservanza di questa precauzione potrebbe causare malfunzionamenti o guasti.



**Per evitare lesioni o danni alla stampante, osservare le seguenti istruzioni:**

- Non toccare la superficie di stampa della testina termica.
  - Non toccare le parti mobili (ad es. la taglierina, gli ingranaggi, le parti elettriche attive) quando la stampante è in uso.
  - In caso di problemi, non cercare di riparare la stampante. Affidarla al servizio Citizen Systems per la riparazione.
  - Prestare attenzione che i coperchi non pizzichino le mani o le dita.
  - Attenzione ai bordi taglienti della stampante, che rischiano di causare lesioni o danni materiali.
- ◆ **L'inosservanza delle suddette precauzioni può causare scosse elettriche, ustioni o lesioni.**



Se la stampante emette fumo, odori strani o rumori inconsueti durante la stampa, interrompere immediatamente la stampa in corso e scollegare la stampante dalla presa di alimentazione.



## MANUTENZIONE QUOTIDIANA

**Osservare le precauzioni seguenti per la manutenzione quotidiana.**

- Prima di pulire la stampante, spegnerla sempre e staccarla dalla presa elettrica.
- Utilizzando un panno morbido e asciutto, rimuovere ogni traccia di sporco o polvere dalla superficie dell'alloggiamento.

Se è molto sporco, utilizzare uno strofinaccio imbevuto d'acqua e ben strizzato.

Non utilizzare mai solventi organici come diluenti per vernici, tricloroetilene, benzene, chetone, ecc. o panni trattati chimicamente.

- Per rimuovere la polvere di carta, utilizzare una spazzola morbida.





## **ATTENZIONE**

**Immediatamente dopo l'utilizzo, la testina termica rimane ad una temperatura pericolosamente elevata.**

**Lasciarla raffreddare prima di iniziare la manutenzione.**



4.6	Indicazioni di errore .....	346
4.7	Inceppamenti carta .....	349
4.8	Precauzioni per l'esecuzione della stampa a velocità variabile .....	349
<b>5.</b>	<b>ALTRO .....</b>	<b>350</b>
5.1	Viste e dimensioni esterne .....	350
5.2	Carta per la stampa .....	351
5.3	Impostazione manuale dei memory switch .....	353

# 1. DESCRIZIONE GENERALE

La serie di stampanti termiche a righe di punti CT-E601 è ideata per un'ampia gamma di terminali per dati, POS e cucine.

Le stampanti sono dotate di molteplici funzioni e possono essere utilizzate in numerose applicazioni.

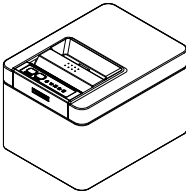
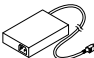
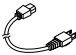
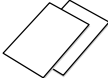
## 1.1 Caratteristiche

- Stampa ad alta velocità fino a 350 mm/sec
- Corpo esterno in plastica agli ioni d'argento
- Design elegante
- Dimensioni compatte con l'altezza minima possibile
- Supporta carta di larghezza 80 mm e 58 mm
- Taglierina ad alta velocità
- Dotata di sensore di arresto stampa per inceppamento della carta
- Dotata di una funzione di antiarricciamento carta
- Interfaccia USB inclusa come standard
- Dotata di una porta di alimentazione USB standard
- Funzione di risparmio energetico (conforme ENERGY STAR)
- Scheda d'interfaccia intercambiabile
- Funzione di stampa XML/Web inclusa (modello con LAN cablata o modello con LAN wireless)
- Funzione host USB inclusa per il controllo di periferiche (modello con LAN cablata, Bluetooth o modello con host USB Lightning)
- Il modello Lightning è in grado di trasmettere dati anche durante la ricarica rapida dei dispositivi Apple
- Lo stato e gli errori della stampante sono segnalati da cinque LED
- Interfaccia di estrazione cassetto incorporata
- Funzione di spegnimento sincronizzato USB
- Scala di grigi a 16 livelli e stampa chiara
- Funzione di risparmio carta
- Supporto per i set di caratteri Kanji JIS X0213 di terzo e quarto livello
- Supporto per i set di caratteri cinesi (semplificato e tradizionale) e Hangul
- Supporto per la codifica UTF-8 tramite comandi

- Varie opzioni di personalizzazione mediante i memory switch
- I caratteri e i loghi creati dall'utente possono essere salvati in memoria
- Supporto per i codici a barre, compresi i codici a barre 2D
- Supporto per la comunicazione Bluetooth e USB (Lightning) certificato MFi Apple (modello Bluetooth, modello Lightning)

## 1.2 Rimozione dell'imballo

Accertarsi che la confezione della stampante contenga i seguenti articoli.

NOME	QUAN- TITÀ	ILLUSTRAZIONE
Stampante	1	
Alimentatore CA (37AD5)	1	
Cavo di alimentazione CA	1	
Guida d'avviamento rapido	2	



## 1.3 Classificazione dei modelli

I numeri di modello indicano le caratteristiche della stampante in base al seguente sistema.

**CT - E601 RS E - BK**  
          1      2      3      4

1: Nome modello

2: Interfaccia

RS: Seriale RS-232C+USB

ET: Ethernet+USB

HET: Ethernet (funzione host USB) + USB

BT: Bluetooth+USB

HBT: Bluetooth (funzione host USB)

WF: Wireless LAN+Ethernet+USB

LT: Lightning (funzione host USB) + USB

NN:USB

3: Mercato

U: Nord America

E: Europa

4: Colore dell'alloggiamento

WH: bianco puro

BK: nero

Contattare preventivamente Citizen Systems per combinazioni speciali, alcune delle quali potrebbero non essere disponibili.

## 1.4 Specifiche di base

Voce	Caratteristiche
Modello	CT-E601
Metodo di stampa	Stampa termica a righe di punti
Larghezze di stampa	72 mm/576 punti, 68,25 mm/546 punti, 64 mm/512 punti, 52,5 mm/420 punti, 48,75 mm/390 punti, 48 mm/384 punti, 45 mm/360 punti, impostazione di fabbrica 72 mm

Voce	Caratteristiche			
Densità punti	8 × 8 punti/mm (203 dpi)			
Velocità di stampa	350 mm/sec (velocità massima, densità di stampa 100%, 2800 righe di punti/sec)			
Numero di colonne di stampa *1	Font	Numero massimo di caratteri (colonne) / 80 mm	Numero massimo di caratteri (colonne) / 58 mm	Configurazione punti (punti)
	Font A	48	35	12 × 24
	Font B	64	46	9 × 24
	Font C	72	52	8 × 16
Dimensione carattere *2	Font A: 1,50×3,00 mm, Font B: 1,13×3,00 mm, Font C: 1,00×2,00 mm			
Tipi di caratteri	Caratteri alfanumerici, caratteri internazionali, PC437/850/852/857/858/860/863/864/865/866, WPC1252, WPC1258, Katakana, ThaiCode 11/18 (1Pass/3Pass), TCVN-3, Kanji (JIS primo, secondo, terzo e quarto livello), Kana, caratteri estesi, JIS X0213, GB18030, BIG5, KS Hangul, EUC Hangul			
Memoria utente	384 KB (in grado di memorizzare caratteri e loghi definiti dall'utente)			
Tipi di codice a barre	UPC-A/E, JAN(EAN) 13 cifre/8 cifre, ITF, CODE39, CODE128, CODA-BAR(NW-7), CODE93, PDF417, QR Code, GS1-DataBar			
Spaziatura	4,25 mm (1/6 pollice) (variabile tramite comando)			
Rotolo di carta	Carta in rotoli: 80 mm x max. ø83 mm Spessore carta: da 53 a 85 µm (diametro interno rotolo di carta 12 mm / diametro esterno 18 mm)			
Interfaccia	Seriale (standard RS-232C), USB, Bluetooth + USB, LAN, LAN wireless + LAN, LAN (funzione host USB) (porta USB 2)), Bluetooth (funzione host USB) (porta USB 2)), Lightning (funzione host USB (porta USB 3))			
Ethernet	100BASE-TX/10BASE-T			
Wireless LAN	IEEE802.11n, IEEE802.11a, IEEE802.11g, IEEE802.11b			
Bluetooth	Versione: Bluetooth 3.0 + EDR Profilo: SPP (Serial Port Protocol), iAP (iPod Accessory Protocol) Classe di potenza: classe 2			
Bluetooth (funzione host USB)	Versione: Bluetooth 4.2 + EDR Profilo: SPP (Serial Port Protocol), iAP2 (iPod Accessory Protocol) Classe di potenza: classe 2			
Porta di alimentazione USB	Max. 2.1 A			
Estrazione del cassetto-cassa	Supporta 2 cassette-cassa			
Buffer in ingresso	4 Kbyte/45 byte			
Tensione di alimentazione	24 V CC ±5%			
Consumo di corrente	Circa 50 W (in stampa), circa 1 W (in modalità standby), circa 0,3 W (spenta)			
Alimentatore CA (37AD5)	Tensione nominale di ingresso: da 100 a 240 V CA, 50/60 Hz, 150 VA Tensione nominale di uscita: 24 V CC, 2,1 A			
Peso	Circa 1,2 kg			
Dimensioni esterne	125 (L) × 165 (P) × 108 (A) mm			
Temperatura e umidità operative	Da 5 a 45 °C, da 10 a 90% UR (senza condensa)			
Temperatura e umidità di immagazzinamento	Da -20 a 60 °C, da 10 a 90% UR (senza condensa)			
Affidabilità	Durata della testina di stampa: 200 km, 200 milioni di impulsi (a temperatura e umidità ambiente, usando la carta e lo spessore consigliati). Durata della taglierina automatica: 2 milioni di tagli (3 pollici), 1,5 milione di tagli (2 pollici) (a temperatura e umidità ambiente, usando la carta e lo spessore consigliati)			

Voce	Caratteristiche
Standard di sicurezza *3	UL, FCC Classe A, marcatura CE

Note:

\*1 il numero di colonne stampabili può essere scelto con un memory switch (microinterruttore di memoria).

Il numero di colonne indicato in tabella si riferisce a modelli tipici. Il numero di colonne varia a seconda delle caratteristiche tecniche.

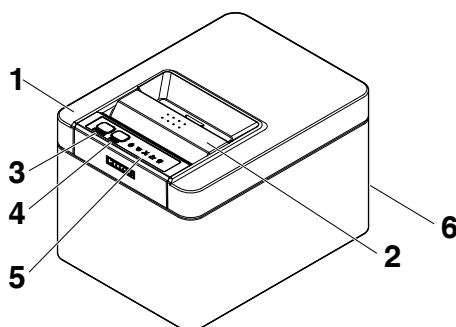
\*2 i caratteri appaiono piccoli perché le dimensioni comprendono lo spazio vuoto che circonda ogni carattere.

\*3 standard valido quando si utilizza l'alimentatore CA dedicato (37AD5).

## 2. SPIEGAZIONE DEI COMPONENTI DELLA STAMPANTE

### 2.1 Aspetto esterno della stampante

#### Denominazione dei componenti



1: Coperchio carta

Aprire per caricare la carta.

Aprire anche per eliminare un errore della taglierina.



**Consultare 4.2 Eliminazione degli errori della taglierina**

2: Leva di apertura coperchio

Utilizzare la leva per aprire il coperchio carta.

3: Pulsante POWER

Tenere premuto per due o tre secondi per accendere o spegnere la stampante.

4: Pulsante FEED

Premere il pulsante per fare avanzare la carta.

In caso di errore della taglierina, premere il pulsante FEED con il coperchio carta chiuso dopo aver eliminato la causa di errore.

La stampante accede alla modalità per la configurazione dei memory switch e l'esecuzione dell'autodiagnosi.



**Consultare 4.4 Autodiagnosi**

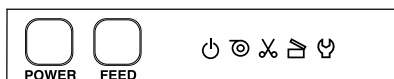


**Consultare 5.3 Impostazione manuale dei memory switch**

5: Pannello di comando

6: Connettori posteriori

## Pannello di comando



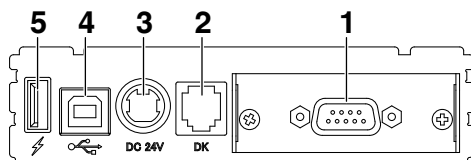
Il pannello di comando ha cinque LED e due tasti.

	Nome LED	Colore	Descrizione
	POWER LED	Verde	Si illumina quando la stampante è accesa, si spegne quando la stampante non è più alimentata.
	PAPER LED	Verde	Si illumina o lampeggia se la carta è assente o esaurita. Può illuminarsi o lampeggiare quando sono rilevate altre anomalie.
	CUTTER LED	Verde	Lampeggia quando si rileva un errore del dispositivo di taglio. Può illuminarsi o lampeggiare quando sono rilevate altre anomalie.
	COVER LED	Verde	Si illumina o lampeggia se il coperchio carta è aperto. Può illuminarsi o lampeggiare quando sono rilevate altre anomalie.
	SERVICE LED	Arancione	Lampeggia quando si rileva un errore irrecuperabile della stampante.



**Consultare 4.6 Indicazioni di errore**

## Connettori posteriori (esempio di interfaccia seriale)



1: Connettore di interfaccia (seriale, USB, ecc.)

Collega il cavo di interfaccia.

2: Connettore di estrazione del cassetto-cassa

Collega il cavo proveniente dal cassetto-cassa.

3: Connettore di alimentazione

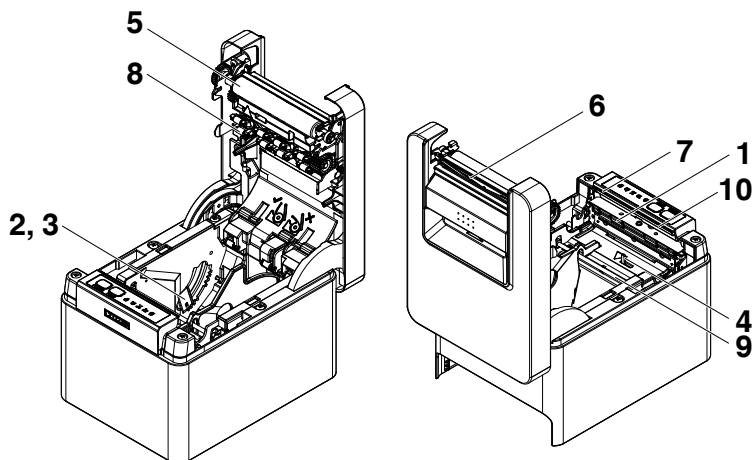
Collega il cavo dell'alimentatore CA.

4: Connettore USB

5: Porta di alimentazione USB

Alimenta un dispositivo USB.

## 2.2 All'interno del coperchio carta



1: Testina di stampa (termica)

Stampa i caratteri e/o i dati grafici sulla carta (rotoli di carta).

2: Sensore di quasi-fine carta (PNE)

Rileva quando il rotolo di carta sta per terminare. Regolare la posizione del sensore per sapere quando esso rileva l'approssimarsi della fine della carta.

3: Pulsante per cambio sensore di quasi-fine carta

Cambiare la posizione del sensore di quasi-fine carta per confrontare la carta utilizzata.



**Consultare 3.11 Regolazione del sensore di quasi-fine carta**

4: Sensore di fine carta (PE)

Rileva l'esaurimento della carta. Quando il sensore rileva la mancanza di carta, la stampa si interrompe.

5: Piatto

Fa avanzare la carta.

Non rimuovere il piatto per operazioni diverse dalla manutenzione.

6: Taglierina automatica

Taglia la carta.



**Consultare 5.3 Impostazione manuale dei memory switch**

7: Taglio manuale

Per tagliare la carta manualmente alla fine della stampa.

8: Rullo antiarricciamento carta

Rullo per ridurre la curvatura della carta.

9: Ammortizzatore antiarricciamento carta

Ammortizzatore per ridurre la curvatura della carta.

10: Sensore inceppamento carta

Sensore che rileva l'inceppamento della carta e arresta la stampa.

<b>Note</b>
Il rullo e l'ammortizzatore antiarricciamento carta non raddrizzano completamente la carta.



## 2.3 Altre funzioni integrate

- Cicalino

Suona quando si verificano errori o quando sono in corso operazioni o comandi.



**Consultare 4.6 Indicazioni di errore**

- Memoria utente

In questa memoria si possono salvare loghi e caratteri definiti dall'utente. I dati restano salvati in memoria anche se la stampante viene spenta. Per maggiori informazioni su come salvare i dati, vedere Riferimento Comandi.

- Memory switch

È possibile salvare le impostazioni di varie funzioni, che restano memorizzate anche se la stampante viene spenta.

- Spegnimento sincronizzato USB (se il memory switch MSW6-3 è impostato su ON)

Se la stampante è collegata a un PC tramite USB, la stampante entra in modalità di spegnimento sincronizzato USB dopo 3 secondi quando il PC viene spento o perde la connessione USB.

Questa modalità viene annullata alla riaccensione del PC o quando viene stabilita una connessione USB.

### Note

- Poiché POWER LED è spento in modalità di spegnimento sincronizzato USB, questa modalità non può essere distinta dal normale spegnimento.
- Premendo il pulsante POWER durante la modalità di spegnimento sincronizzato USB, la stampante si accende normalmente.

- Funzioni di risparmio carta

È possibile utilizzare i memory switch da MSW8-3 a MSW8-4 per configurare le seguenti impostazioni di risparmio carta.

- Eliminazione margine superiore

La stampante fa arretrare la carta prima della stampa, riducendo lo spazio vuoto sul lato superiore.

Il valore di arretramento può essere specificato.

- Riduzione interlinea

Comprime automaticamente lo spazio tra le righe. È possibile specificare il rapporto di compressione.



## ATTENZIONE

Rimuovere la carta tagliata parzialmente prima di eseguire l'arretramento per avviare la stampa. La carta tagliata potrebbe strapparsi alla stampa successiva, causando un problema.

- **Spostamento laterale automatico (MSW8-6)**

Questa funzione dissipa il calore generato frequentemente dalla stampa di una linea verticale o di altri elementi specifici che scaldano la testina.

Se non si ricevono dati entro 15 secondi dopo ogni taglio o stampa, la posizione di stampa viene spostata automaticamente di N\* punti a destra. La posizione di stampa originale viene ripristinata allo spostamento successivo.

\* N è il valore di impostazione di MSW8-6.

### Note

- Se il margine destro è troppo stretto, alcuni caratteri potrebbero risultare tagliati.
- La funzione è disabilitata per impostazione predefinita.
- Per abilitarla, utilizzare MSW8-6 per specificare un valore di spostamento massimo appropriato.

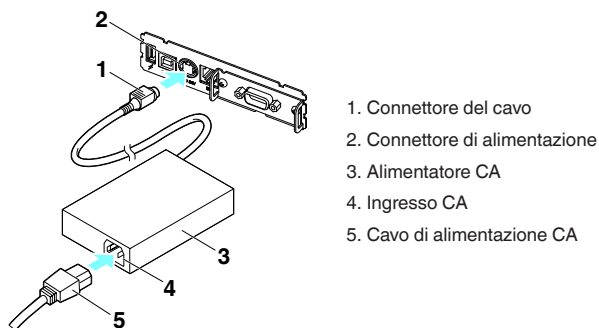
## 3. CONFIGURAZIONE

### 3.1 Collegamento del cavo di alimentazione CA

1. Spegnerne la stampante.

2. Collegare il connettore di alimentazione al connettore del cavo dell'alimentatore CA.

Quindi, collegare il cavo di alimentazione CA all'ingresso CA e inserire la spina in una presa elettrica.



### ATTENZIONE

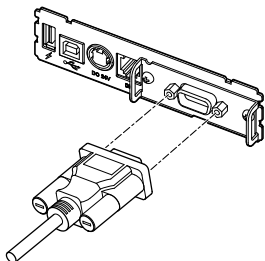
- Utilizzare esclusivamente l'alimentatore CA specificato.
- Afferrare sempre il connettore del cavo dell'alimentatore CA per rimuoverlo o inserirlo.
- Utilizzare una fonte di alimentazione CA che non stia già alimentando apparecchiature che producono disturbi elettromagnetici.
- Non tirare il cavo di alimentazione CA per evitare di danneggiarlo con possibili rischi di incendi, scosse elettriche o danneggiamento dei fili.
- Se si sta avvicinando un temporale, staccare il cavo di alimentazione CA dalla presa elettrica. Un fulmine può provocare incendi o scosse elettriche.
- Tenere il cavo di alimentazione CA lontano da apparecchi riscaldanti. Il rivestimento del cavo di alimentazione CA potrebbe fondere, provocando incendi o scosse elettriche.
- Se la stampante non deve essere utilizzata per un lungo periodo, staccare il cavo di alimentazione CA dalla presa elettrica.
- Sistemare il cavo di alimentazione CA in modo che nessuno possa calpestarlo.

## 3.2 Scheda di interfaccia seriale

I dati possono essere scambiati mediante la comunicazione seriale.

### Collegamento del cavo di interfaccia

1. Spegner la stampante.
2. Verificare l'orientamento del cavo di interfaccia e collegarlo alla porta.



3. Inserire saldamente il connettore nella porta interfaccia del computer host.



### ATTENZIONE

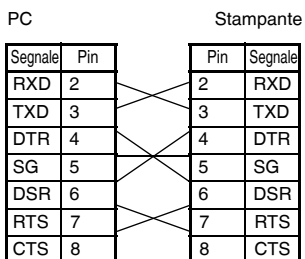
- Per scollegare il cavo, afferrarlo sempre dal connettore.
- Sistemare il cavo di interfaccia in modo che nessuno possa calpestarlo.

### Note

Non collegare più interfacce contemporaneamente.

Utilizzare un cavo seriale con la seguente configurazione.

### Cavo 9 pin (femmina) - 9 pin (femmina)



## 3.3 Interfaccia USB

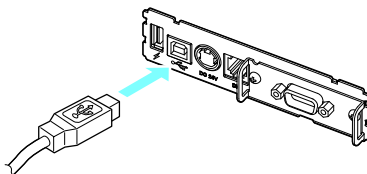
I dati possono essere scambiati mediante la comunicazione USB.

### Caratteristiche

Standard	Conforme alle specifiche USB 2.0
Velocità di comunicazione	Supporta il trasferimento a 12 Mbps (Full-Speed)

### Collegamento del cavo di interfaccia

1. Spegner la stampante.
2. Verificare l'orientamento del cavo di interfaccia e collegarlo alla porta.



3. Inserire saldamente il connettore nella porta interfaccia del computer host.



### ATTENZIONE

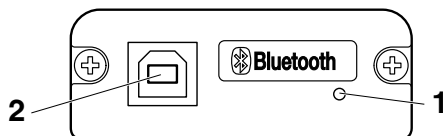
- Per scollegare il cavo, afferrarlo sempre dal connettore.
- Sistemare il cavo di interfaccia in modo che nessuno possa calpestarlo.
- Prestare attenzione a non inserire il cavo USB nel connettore di estrazione del cassetto-cassa.

### Note

- Non collegare più interfacce contemporaneamente.
- Per collegare più di una stampante a un unico computer tramite USB, è necessario cambiare il numero di serie dell'interfaccia USB.
- Alcuni modelli sono dotati di porta USB sul lato della scheda di interfaccia.  
Su questi modelli, non collegare i cavi USB sia sul lato dell'unità principale della stampante che sul lato della scheda di interfaccia.  
Se i cavi USB vengono collegati su entrambi i lati, la comunicazione del cavo collegato alla porta dell'unità principale avrà la priorità.

## 3.4 Scheda d'interfaccia Bluetooth

### Denominazione dei componenti



#### 1. Stato LED

Lo stato di comunicazione/connesione/errore Bluetooth è indicato da questo LED.

#### 2. Connettore USB

I dati possono essere scambiati mediante la comunicazione USB.

### Note

Quando si utilizza questa scheda di interfaccia come interfaccia USB, non collegare i cavi USB sia al lato dell'unità principale che al lato della scheda di interfaccia.

Se i cavi USB vengono collegati a entrambi i lati, la comunicazione del cavo collegato al connettore dell'unità principale avrà la priorità.

### LED di stato Bluetooth

Stato	Descrizione	Stato LED
Standby di rilevamento (individuabile)	Standby per rilevamento e collegamento	
Standby di connessione (collegabile)	Standby per collegamento	
Connessione iOS	Sessione dati non aperta	
In comunicazione	iOS: sessione dati aperta Altro SO: collegamento stabilito e comunicazione in corso	
Errore	Errore o configurazione delle impostazioni in corso	Spento

## **Operazione di sincronizzazione**

Si devono svolgere le procedure riportate di seguito quando si stabilisce per la prima volta una connessione Bluetooth per la comunicazione di dati Bluetooth.

1. Rilevare dispositivi Bluetooth
2. Configurare impostazioni di sincronizzazione

### **1: Rilevare dispositivi Bluetooth**

Confermare che il Bluetooth sia attivato sul PC host prima di effettuare la ricerca di dispositivi Bluetooth.

Questo prodotto apparirà come “CT-E601\_XX” (XX corrisponde alle ultime 2 cifre dell’indirizzo unico BD) quando è rilevato.

Selezionare questo prodotto tra i dispositivi rilevati.

Nota: si possono ricercare dispositivi e modificare i nomi.

Se memory switch MSW13-5 è impostato su “Nessuna risposta” al rilevamento di dispositivi non apparirà nulla.

Si può commutare temporaneamente questa impostazione su rilevamento dispositivo (modalità rilevamento) aprendo il coperchio carta e tenendo premuto il pulsante FEED per due secondi. Si esce dalla modalità di rilevamento quando la connessione con il PC host è conclusa.

### **2: Configurare impostazioni di sincronizzazione**

Di norma, selezionando la stampante durante il rilevamento dispositivo si passa direttamente alle impostazioni di sincronizzazione.

<b>Note</b>
Alcune configurazioni e modelli di PC host non passano direttamente alle impostazioni di sincronizzazione dopo aver selezionato la stampante durante il rilevamento dispositivo.

La procedura richiesta per configurare le impostazioni di sincronizzazione dipende dal fatto se SSP (secure simple pairing) è attivata sul PC host.

Se SSP è abilitata sul PC host, si può effettuare la sincronizzazione senza operazioni aggiuntive.

Se SSP è disabilitata sul PC host, verrà richiesta l'immissione di una chiave di accesso.

Digitare la chiave di accesso come descritto di seguito.

Chiave di accesso

Ultime quattro cifre dell'indirizzo stampato dall'autotest (Le lettere da A ad F sono maiuscole)

Esempio: se l'indirizzo è 01:23:45:67:89:AB la chiave di accesso è 89AB.

Se si eliminano le informazioni di sincronizzazione dal PC host senza eliminare le corrispondenti informazioni di sincronizzazione sulla stampante, la stampante potrebbe non mostrare se si rilevano di nuovo dispositivi con il PC host.

Per eliminare le informazioni di sincronizzazione della stampante, aprire il coperchio carta e tenere premuto il pulsante FEED per cinque secondi.

Eliminando le informazioni di sincronizzazione sulla stampante, questa entrerà in modalità di individuazione.

### **Ri-connesione automatica**

In caso di comunicazione Bluetooth di dispositivo iOS, una connessione tra dispositivo iOS sincronizzato e stampante non è ripristinata automaticamente dopo essere stata interrotta. Tuttavia, se la ri-connesione automatica è attivata, la stampante tenta di riconnettersi al dispositivo iOS dopo che la comunicazione a due vie è stata abilitata e ripristina automaticamente la connessione.

#### **Note**

■ **Questa funzione è abilitata all'uscita dalla fabbrica. (MSW13-6)**

**La ri-connesione automatica può richiedere del tempo per connettersi se l'host non è un dispositivo iOS.**

■ Anche se il dispositivo iOS è il dispositivo interlocutore, le seguenti condizioni possono interferire con la funzione di connessione automatica.

- **Se si desidera interrompere la comunicazione Bluetooth al termine della stampa**
- **Quando ci sono vari dispositivi iOS che stampano con la stessa stampante**

In tali condizioni, disattivare la ri-connesione automatica.

### **Attivare e disattivare la ri-connesione automatica**

Durante l'autodiagnosi premere 3 volte il pulsante FEED -> Ri-connesione automatica = Validata

Durante l'autodiagnosi premere 4 volte il pulsante FEED -> Ri-connesione automatica = Non valida

Alla fine dell'autotest verrà stampata la nuova impostazione come richiesta di riconnesione



automatica [Valid] o [Invalid].



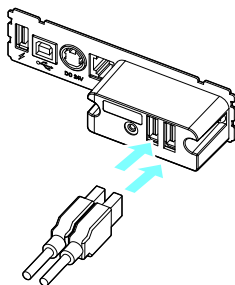
**Consultare 4.4 Autodiagnosi**

## 3.5 Scheda di interfaccia host USB Bluetooth

Oltre al controllo della stampante tramite la comunicazione Bluetooth, le interfacce host USB Bluetooth possono controllare periferiche collegate tramite porta USB.

### Collegamento di una periferica

1. Spegnerla stampante.
2. Collegare il cavo di una periferica a questa porta.



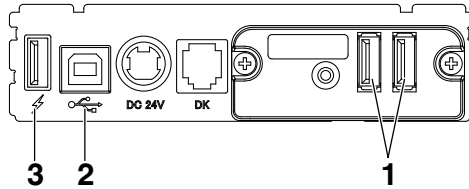
#### **Note**

Non è possibile collegare una periferica se è collegata alla porta di alimentazione USB. Collegarla sempre alla porta USB della scheda di interfaccia.

## **Collegamento di un dispositivo USB**

La funzione assegnata a ciascuna porta USB varia.

Collegare il dispositivo USB nella posizione corretta consultando la seguente figura.



1: Per il controllo di una periferica

Collegare una periferica.

È possibile controllare la periferica collegata.

2: Per la comunicazione con il computer host

Collegare con un computer host.

La stampante e il computer host comunicheranno mediante USB.



**Consultare 3.3 Interfaccia USB**

3: Per l'alimentazione

Collegare un dispositivo mobile o un altro dispositivo USB.

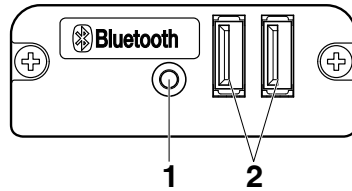
È possibile alimentare un dispositivo USB collegato.

\* Questa porta non supporta la comunicazione dati USB.



**Consultare 3.8 Porta di alimentazione USB**

## Denominazione dei componenti



1: Pulsante del pannello

Controllare questa scheda di interfaccia.

2: Porta USB 2

Collegare una periferica.

### **Note**

- Collegare alla porta USB solo le periferiche specificate dalla nostra azienda.
- Collegare/rimuovere le periferiche solo quando la stampante è spenta.

## Operazione di sincronizzazione

Si devono svolgere le procedure riportate di seguito quando si stabilisce per la prima volta una connessione Bluetooth per la comunicazione di dati Bluetooth.

1. Rilevare dispositivi Bluetooth
2. Configurare impostazioni di sincronizzazione

### **1: Rilevare dispositivi Bluetooth**

Confermare che il Bluetooth sia attivato sul PC host prima di effettuare la ricerca di dispositivi Bluetooth.

Questo prodotto apparirà come "CT-E601\_XX" (XX corrisponde alle ultime 2 cifre dell'indirizzo unico BD) quando è rilevato.

Selezionare questo prodotto tra i dispositivi rilevati.

Nota: si possono ricercare dispositivi e modificare i nomi.

Se memory switch MSW13-5 è impostato su "Nessuna risposta" al rilevamento di dispositivi non apparirà nulla.

Con queste impostazioni, tenendo premuto il pulsante del pannello per almeno tre secondi e poi premendolo ancora due volte, il prodotto viene posto temporaneamente nello stato in cui potrà essere trovato nella ricerca dei dispositivi (modalità di ricerca).

La modalità di rilevamento si annulla quando il prodotto è collegato a un PC host.

## 2: Configurare impostazioni di sincronizzazione

Di norma, selezionando la stampante durante il rilevamento dispositivo si passa direttamente alle impostazioni di sincronizzazione.

Note
Alcune configurazioni e modelli di PC host non passano direttamente alle impostazioni di sincronizzazione dopo aver selezionato la stampante durante il rilevamento dispositivo.

La procedura richiesta per configurare le impostazioni di sincronizzazione dipende dal fatto se SSP (secure simple pairing) è attivata sul PC host.

Se SSP è abilitata sul PC host, si può effettuare la sincronizzazione senza operazioni aggiuntive.

Se SSP è disabilitata sul PC host, verrà richiesta l'immissione di una chiave di accesso.

Digitare la chiave di accesso come descritto di seguito.

Chiave di accesso

Ultime quattro cifre dell'indirizzo stampato dall'autotest (Le lettere da A ad F sono maiuscole)

Esempio: se l'indirizzo è 01:23:45:67:89:AB la chiave di accesso è 89AB.

Se si eliminano le informazioni di sincronizzazione dal PC host senza eliminare le corrispondenti informazioni di sincronizzazione sulla stampante, la stampante potrebbe non mostrare se si rilevano di nuovo dispositivi con il PC host.

Quando si eliminano le informazioni di accoppiamento, tenere premuto il pulsante del pannello per almeno tre secondi e, dopo che il cicalino suona, premerlo altre quattro volte.

Se l'operazione ha successo, viene stampato "Erase Bonded Device" (Elimina dispositivo collegato).

Eliminando le informazioni di sincronizzazione sulla stampante, questa entrerà in modalità di individuazione.

### **Ri-connessione automatica**

In caso di comunicazione Bluetooth di dispositivo iOS, una connessione tra dispositivo iOS sincronizzato e stampante non è ripristinata automaticamente dopo essere stata interrotta. Tuttavia, se la ri-connessione automatica è attivata, la stampante tenta di riconnettersi al dispositivo iOS dopo che la comunicazione a due vie è stata abilitata e ripristina automaticamente la connessione.

## Note

■ **Questa funzione è abilitata all'uscita dalla fabbrica. (MSW13-6)**

**La ri-connessione automatica può richiedere del tempo per connettersi se l'host non è un dispositivo iOS.**

■ Anche se il dispositivo iOS è il dispositivo interlocutore, le seguenti condizioni possono interferire con la funzione di connessione automatica.

- **Se si desidera interrompere la comunicazione Bluetooth al termine della stampa**
- **Quando ci sono vari dispositivi iOS che stampano con la stessa stampante**

In tali condizioni, disattivare la ri-connessione automatica.

### **Attivare e disattivare la ri-connessione automatica**

Durante l'autodiagnosi premere 3 volte il pulsante FEED -> Riconnessione automatica = Valida

Durante l'autodiagnosi premere 4 volte il pulsante FEED -> Riconnessione automatica = Non valida

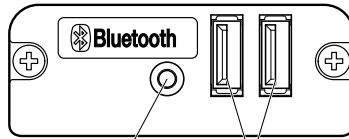
Alla fine dell'autotest verrà stampata la nuova impostazione come richiesta di riconnessione automatica [Valid] o [Invalid].



**Consultare 4.4 Autodiagnosi**

## Funzionamento pulsante pannello

Utilizzare il pulsante del pannello sul retro della scheda Bluetooth per utilizzare questa scheda.



Pulsante del pannello Porta USB

- Impostazioni di ricerca dispositivo BT (MSW13-5)

1. Tenere premuto il pulsante del pannello per accendere la stampante.
2. Premere il pulsante del pannello entro un secondo dall'avvio della stampante.

L'impostazione cambia in base al numero di volte che si preme il pulsante del pannello.

Due pressioni: rilevamento possibile

Tre pressioni: nessuna risposta

Dopo queste operazioni, la stampante si riavvia.

- Stampa dello stato della scheda di interfaccia

Dopo aver avviato la stampante, premendo una volta il pulsante del pannello viene stampato lo stato della scheda di interfaccia.



```
Bluetooth Board Information

Boot.      Xxxxx }
FW Ver.    Xxxxxx } 1
BT Ver.    Xxxxx }

--Printer state--
Manuf: CITIZEN SYSTEMS
Model: CT-E601
BD Addr: 11:22:33:44:55:66 ← 2
BD Name: CT-E601_XX ← 3
Profile: SPP/iAP2 ← 4

Bluetooth Set info. ← 5
Paired      : Enable
Discoverable: Enable
Reconnect   : Disable

USB Device Info. ← 6
USB1: Barcode scanner
USB2: Customer Display

BOARD STATE: Waiting Connect ← 7
```

### Esempio di stampa

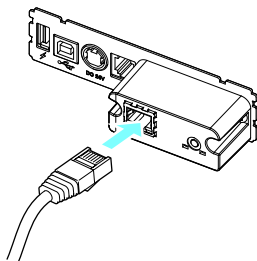
1. Versione del firmware della scheda
2. Indirizzo del modulo Bluetooth utilizzato
3. Nome Bluetooth
4. Profilo di risposta nella trasmissione Bluetooth
5. Stato di impostazione Bluetooth
6. Nome del dispositivo USB collegato (in assenza di connessione viene visualizzato "No connection" (Nessuna connessione))
7. Stato della scheda

## 3.6 Ethernet (LAN)/Scheda d'interfaccia Wireless LAN

Questa sezione fornisce una panoramica sulla scheda di interfaccia. Per i dettagli su questa scheda, comprese le spiegazioni sulla funzione host USB e sul supporto per periferiche XML, consultare il manuale separato.

### Collegamento del cavo di interfaccia

1. **Spegnere la stampante.**
2. **Verificare l'orientamento del cavo di interfaccia e collegarlo alla porta.**



3. **Collegare l'altro connettore a un hub, un router o un dispositivo simile.**



### **ATTENZIONE**

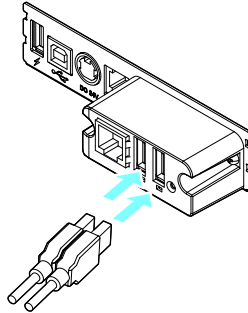
- Per scollegare il cavo, afferrarlo sempre dal connettore.
- Sistemare il cavo di interfaccia in modo che nessuno possa calpestarlo.
- Per collegare o scollegare il cavo LAN, tenere il connettore perpendicolare e diritto. Tenendolo inclinato, il connettore potrebbe non collegarsi correttamente.

### **Note**

Non collegare più interfacce contemporaneamente.

## Collegamento di una periferica

1. Spegner la stampante.
2. Collegare il cavo di una periferica a questa porta.

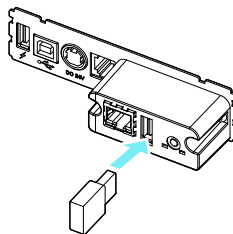


### **Note**

Non è possibile collegare una periferica se è collegata alla porta di alimentazione USB.  
Collegarla sempre alla porta USB della scheda di interfaccia.

## Collegamento della scheda LAN wireless

1. Spegner la stampante.
2. Collegare la scheda LAN wireless al connettore.



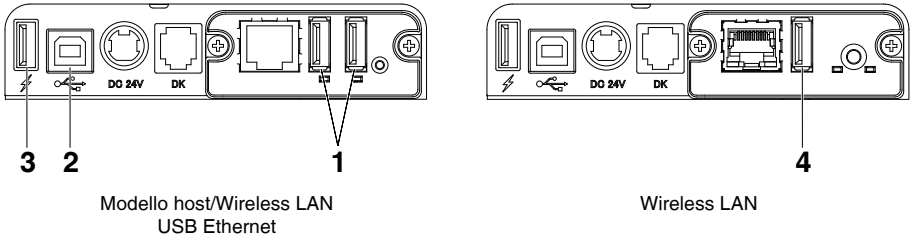
### **Note**

Non è possibile utilizzare la LAN wireless collegandola al connettore di alimentazione USB.  
Collegarla sempre al connettore USB della scheda di interfaccia.

## **Collegamento di un dispositivo USB**

La funzione assegnata a ciascuna porta USB varia.

Collegare il dispositivo USB nella posizione corretta consultando la seguente figura.



1: Per il controllo di periferiche e il collegamento della scheda LAN wireless

Collega le periferiche e la scheda LAN wireless.

È possibile collegarle alla porta USB destra o sinistra.

Anche quando è collegata una scheda LAN wireless, è possibile collegare periferiche alle porte disponibili.

2: Per la comunicazione con il computer host

Collegare con un computer host.

La stampante e il computer host comunicheranno mediante USB.



**Consultare 3.3 Interfaccia USB**

3: Per l'alimentazione

Collegare un dispositivo mobile o un altro dispositivo USB.

È possibile alimentare un dispositivo USB collegato.

\* Questa porta non supporta la comunicazione dati USB.



**Consultare 3.8 Porta di alimentazione USB**

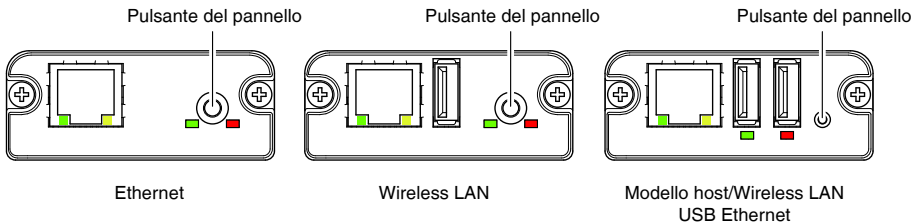
4: Per il collegamento a una scheda LAN wireless

Collegare una scheda LAN wireless.

La scheda LAN wireless è necessaria per eseguire la comunicazione tramite LAN wireless.

## **Funzionamento pulsante pannello**

Le operazioni della scheda vengono eseguite tramite il pulsante del pannello situato nella parte posteriore della scheda LAN.



- **Attivazione della connessione LAN**

Accendere la stampante. La scheda inizierà a funzionare dopo circa 20 secondi.

- **Stampa delle informazioni sulla configurazione LAN**

Premere il pulsante pannello.

- **Accesso alla modalità di impostazione**

Tenere premuto il pulsante pannello. Un cicalino suonerà una volta per indicare che è avvenuto l'accesso alla modalità di impostazione.

- Si può utilizzare la modalità di impostazione per leggere le impostazioni di fabbrica.
- Se non viene eseguita alcuna operazione per 3 secondi nella modalità di configurazione, la modalità ritorna alla modalità normale.

- **Ripristino delle impostazioni di fabbrica**

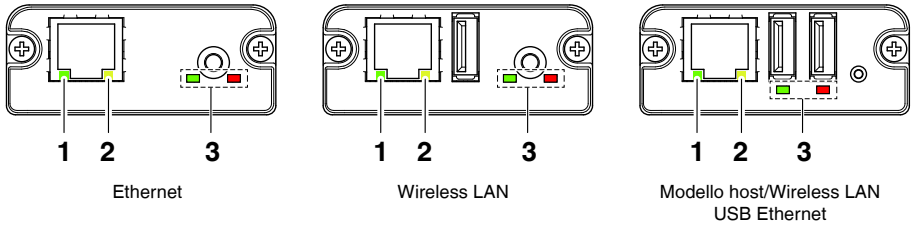
Accedere alla modalità di impostazione scheda quindi tenere premuto il pulsante pannello. In tal modo la scheda ritorna ai valori predefiniti di fabbrica.

### **Note**

La scheda si riavvia automaticamente al termine dell'operazione. Dopo l'azzeramento delle impostazioni, sarà necessario riconfigurare le impostazioni di rete.

## Funzioni LED

Questa tabella spiega come interpretare le indicazioni LED.



### 1: Velocità di trasmissione wireless LAN

Velocità di trasmissione	LED (verde)
100 Mbps	Acceso
10 Mbps/Non connesso	Spento

### 2: Stato di connessione/trasmissione wireless LAN

Stato connessione	LED (giallo)
Connesso	Acceso
Non connesso	Spento
Trasmissione dati in corso	Lampeggiante

### 3: Stato cablato/wireless LAN

Stato connessione		LED (verde)	LED (rosso)	Descrizione
Nessun collegamento stampante		Spento	—	La scheda non è collegata con una stampante.
Collegamento stampante	Nessuna connessione di rete	Acceso	Spento	La scheda è collegata con una stampante.
	Collegato tramite LAN cablata	Acceso	Lampeggiante (ciclo da 1 secondi)	Ottenimento di indirizzo IP da server DHCP tramite LAN cablata.
	Funzionamento LAN cablata	Acceso	Acceso	Il funzionamento della rete avviene tramite LAN cablata.
	Collegato tramite wireless LAN *	Lampeggiante (ciclo da 2 secondi)	Lampeggiante (ciclo da 1 secondi)	Ottenimento di indirizzo IP da server DHCP tramite wireless LAN.
	Funzionamento wireless LAN *	Lampeggiante (ciclo da 2 secondi)	Acceso	Il funzionamento della rete avviene tramite wireless LAN.

<b>Stato connessione</b>	<b>LED (verde)</b>	<b>LED (rosso)</b>	<b>Descrizione</b>
Errore risorsa		Lampeggiante alternato (ciclo da 1 secondi)	La scheda non è in grado di funzionare normalmente.
Errore sistema		Lampeggiante alternato (ciclo da 0,2 secondi)	La scheda non è in grado di funzionare normalmente.

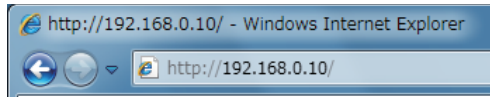
\* Solo quando si utilizza una connessione wireless LAN

## Web Manager

La scheda di interfaccia dispone di una funzione Amministratore Web che consente di collegarsi alla scheda tramite un browser web e modificare le impostazioni della scheda.

### Avvio di Web Manager

1. Avviare un browser web.
2. Nel campo indirizzo, immettere l'indirizzo IP della scheda e premere [Invio].



### Schermata HOME

Si tratta della schermata principale di Web manager.

La seguente schermata è un esempio di connessione LAN.

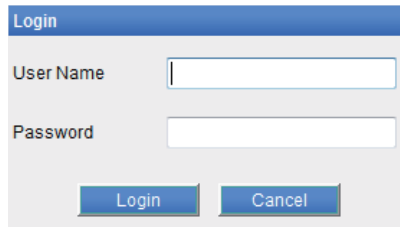


In questa schermata premere il pulsante [CONFIG].



## Schermata CONFIG

Apparirà la finestra di dialogo per il login indicata di seguito. Eseguire l'accesso come amministratore e configurare le impostazioni della scheda di interfaccia.



The image shows a standard Windows-style dialog box titled "Login". It contains two text input fields, one labeled "User Name" and one labeled "Password". Below the input fields are two buttons: "Login" and "Cancel".

- User Name  
Immettere il nome utente dell'amministratore della scheda. (Impostazione iniziale: admin)
- Password  
Immettere la password utente dell'amministratore. (Impostazione iniziale: admin)
- Pulsante [Login]  
Dopo aver immesso nome utente e password dell'amministratore, fare clic sul pulsante [Login]. In tal modo appare la schermata delle impostazioni.  
Per maggiori dettagli circa le impostazioni fare riferimento al manuale separato.

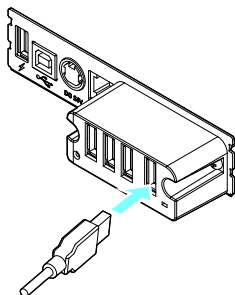
## 3.7 Scheda di interfaccia host USB Lightning

Oltre al controllo della stampante tramite la comunicazione USB (Lightning), le interfacce host USB Lightning possono controllare periferiche collegate tramite porta USB.

Per i prodotti Apple con connettore USB tipo C, come iPad Pro, è possibile utilizzare la stessa funzione utilizzando un cavo USB tipo A - tipo C.

### Collegamento del cavo di interfaccia

1. Spegnerne la stampante.
2. Verificare l'orientamento del cavo di interfaccia e collegarlo alla porta.



3. Collegare l'altro connettore al connettore di interfaccia di un dispositivo Apple.



### **ATTENZIONE**

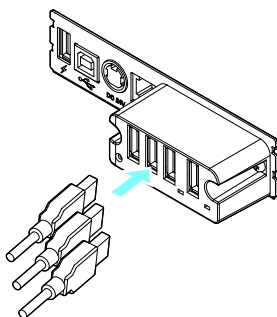
- Per scollegare il cavo, afferrarlo sempre dal connettore.
- Sistemare il cavo di interfaccia in modo che nessuno possa calpestarlo.
- Per collegare o scollegare il cavo LAN, tenere il connettore perpendicolare e diritto. Tenendolo inclinato, il connettore potrebbe non collegarsi correttamente.

### **Note**

Non collegare più interfacce contemporaneamente.

## Collegamento di una periferica

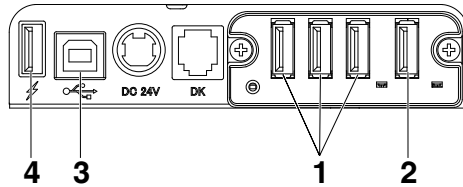
1. Spegnerla stampante.
2. Collegare il cavo di una periferica a questa porta.



### **Note**

Non è possibile collegare una periferica se è collegata alla porta di alimentazione USB.  
Collegarla sempre alla porta USB della scheda di interfaccia.

## Collegamento di un dispositivo USB



1: Per il controllo di una periferica

Collegare una periferica.

È possibile controllare la periferica collegata.

2: Per la connessione di dispositivi Apple

Collegare con un dispositivo Apple.

La stampante e il dispositivo Apple comunicheranno mediante il cavo Lightning.

È inoltre possibile eseguire la ricarica rapida del dispositivo Apple.

3: Per la comunicazione con il computer host

Collegare con un computer host.

La stampante e il computer host comunicheranno mediante USB.



**Consultare 3.3 Interfaccia USB**

4: Per l'alimentazione

Collegare un dispositivo mobile o un altro dispositivo USB.

È possibile alimentare un dispositivo USB collegato.

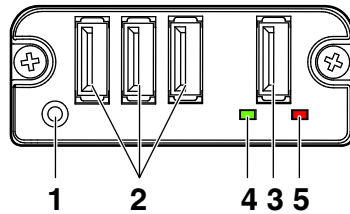
\* Questa porta non supporta la comunicazione dati USB.

Il modello Lightning non dispone di una funzione di alimentazione.



**Consultare 3.8 Porta di alimentazione USB**

## Denominazione dei componenti



1: Pulsante del pannello

Controllare questa scheda di interfaccia.

2: Porta USB per il collegamento di periferiche (3 porte)

Collegare una periferica.

3: Porta USB per il collegamento di dispositivi Apple (1 porta)

Collegare un dispositivo Apple.

È possibile trasmettere dati anche durante la ricarica rapida dei dispositivi Apple.

4: LED verde

Questo LED indica lo stato della comunicazione con la stampante.

5: LED rosso

Questo LED indica lo stato della connessione con un dispositivo Apple.

### **Note**

- Collegare alla porta USB solo le periferiche specificate dalla nostra azienda.
- Collegare/rimuovere le periferiche solo quando la stampante è spenta.
- Il funzionamento di questa scheda inizierà circa 30 secondi dopo l'accensione.
- Utilizzare un cavo certificato MFi per il collegamento a un dispositivo Apple.

## Funzionamento pulsante pannello

Utilizzare il pulsante del pannello nella parte posteriore della scheda Lightning per controllare questa scheda.

### 1: Stampa dello stato della scheda di interfaccia

Dopo aver avviato la stampante, premendo una volta il pulsante del pannello viene stampato lo stato della scheda di interfaccia.

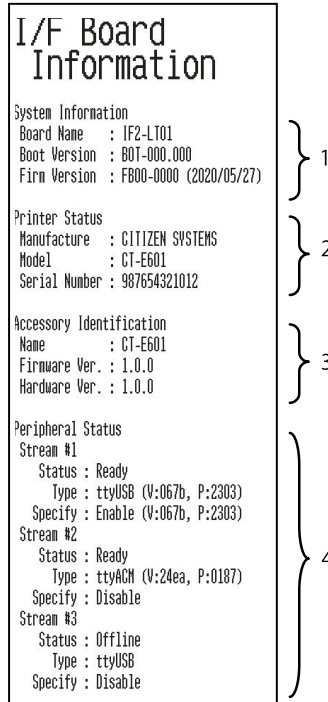
```
I/F Board
Information

System Information
Board Name : IF2-LT01
Boot Version : BOT-000.000
Firm Version : FB00-0000 (2020/05/27)

Printer Status
Manufacture : CITIZEN SYSTEMS
Model : CT-E601
Serial Number : 987654321012

Accessory Identification
Name : CT-E601
Firmware Ver. : 1.0.0
Hardware Ver. : 1.0.0

Peripheral Status
Stream #1
  Status : Ready
  Type : ttyUSB (V:067b, P:2303)
  Specify : Enable (V:067b, P:2303)
Stream #2
  Status : Ready
  Type : ttyACM (V:24ea, P:0187)
  Specify : Disable
Stream #3
  Status : Offline
  Type : ttyUSB
  Specify : Disable
```



1. Informazioni di sistema di questa scheda di interfaccia
2. Informazioni sulla stampante collegata a questa scheda di interfaccia
3. Informazioni di identificazione di questa scheda di interfaccia
4. Informazioni sulla connessione della periferica

## **Funzioni LED**

Questa tabella spiega come interpretare le indicazioni LED.

### **1: Stato della comunicazione con la stampante**

<b>In comunicazione</b>	<b>LED (verde)</b>
Non connessa	Spento
Connesso	Acceso
Comunicazione in corso	Lampeggiante

### **2: Stato della connessione con un dispositivo Apple**

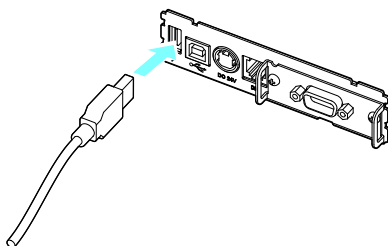
<b>In comunicazione</b>	<b>LED (rosso)</b>
Non connessa	Spento
Connesso	Acceso
Errore di comunicazione	Lampeggiante (ciclo da 1 secondi)
Errore della scheda di interfaccia	Lampeggiante (ciclo da 0,2 secondi)

## 3.8 Porta di alimentazione USB

È possibile alimentare (max. 2.1 A) un dispositivo mobile o un altro dispositivo USB collegando il cavo del dispositivo USB alla porta di alimentazione.

### Collegamento di un dispositivo mobile o un altro dispositivo

1. Spegnerla stampante.
2. Collegare il cavo di un dispositivo mobile o di un altro dispositivo alla porta di alimentazione USB.

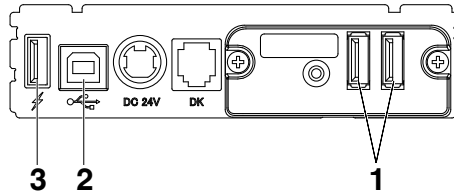




## Collegamento di un dispositivo USB

La funzione assegnata a ciascuna porta USB varia.

Collegare il dispositivo USB nella posizione corretta consultando la seguente figura.



1: Per il controllo di una periferica

Collegare una periferica.

È possibile controllare la periferica collegata.

2: Per la comunicazione con il computer host

Collegare con un computer host.

La stampante e il computer host comunicheranno mediante USB.



**Consultare 3.3 Interfaccia USB**

3: Per l'alimentazione

Collegare un dispositivo mobile o un altro dispositivo USB.

È possibile alimentare un dispositivo USB collegato.

\* Questa porta non supporta la comunicazione dati USB.



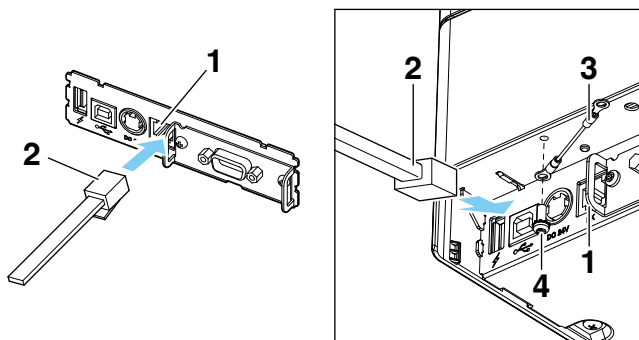
**Consultare 3.8 Porta di alimentazione USB**

### Note

- Questa porta non supporta la comunicazione dati USB.
- A seconda del dispositivo USB da utilizzare, l'alimentazione potrebbe risultare impossibile. In questo caso, utilizzare l'alimentatore CA dedicato o il caricabatterie del dispositivo.
- Con questo prodotto non è incluso un cavo USB per l'alimentazione. Utilizzare un cavo USB disponibile in commercio o il cavo in dotazione con il dispositivo USB.
- Il modello Lightning non dispone di una funzione di alimentazione.

## 3.9 Collegamento del cassetto-cassa

1. Spegner la stampante.
2. Controllare l'orientamento del connettore del cavo di estrazione del cassetto-cassa e collegarlo alla presa corrispondente sul retro della stampante.
3. Togliere la vite del filo di massa.
4. Avvitare il filo di massa del cassetto-cassa al corpo della stampante.



1. Connettore di estrazione del cassetto-cassa
2. Connettore del cavo di estrazione del cassetto-cassa
3. Filo di massa
4. Vite per filo di massa



### ATTENZIONE

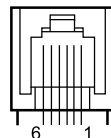
- Collegare esclusivamente il cavo di estrazione del cassetto-cassa a questo connettore (non collegare una linea telefonica).
- Per collegare o scollegare il cavo di estrazione del cassetto-cassa, tenere il connettore perpendicolare e diritto. Tenendolo inclinato, il connettore potrebbe non collegarsi correttamente.

### Note

I segnali non possono essere inviati dal connettore di estrazione del cassetto-cassa durante la stampa.

(1) Configurazione dei pin del connettore

N.	Segnale	Funzione
1	FG	Massa (Frame Ground)
2	DRAWER1	Segnale di comando cassetto-cassa 1
3	DRSW	Ingresso commutatore cassetto-cassa
4	VDR	Alimentazione elettrica di comando cassetto-cassa
5	DRAWER2	Segnale di comando cassetto-cassa 2
6	GND	Massa segnale (massa comune sui circuiti)



\* Connettore applicabile: RJ-11

## (2) Caratteristiche elettriche

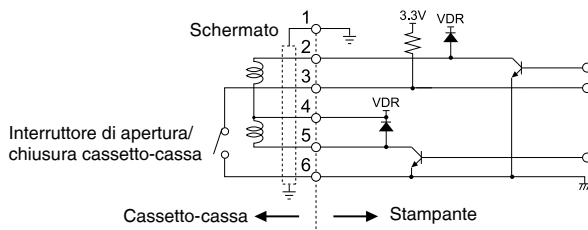
- 1) Tensione di comando: 24 V CC
- 2) Corrente di comando: Max. 1 A circa (non deve superare i 510 ms)
- 3) Segnale DRSW: Livelli segnale: "L" = da 0 a 0,5 V, "H" = da 3 a 5 V

## (3) Segnale DRSW

È possibile verificarne lo stato tramite comandi.

## (4) Circuito di comando

### Connettore di estrazione del cassetto-cassa



Cassetto-cassa ← → Stampante

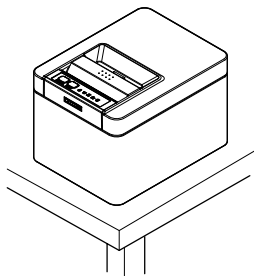


## ATTENZIONE

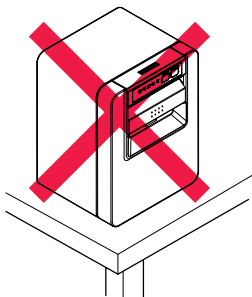
- I cassette 1 e 2 non possono essere azionati contemporaneamente.
- Il solenoide utilizzato per il cassetto-cassa deve essere a 24 Ω o superiore. La corrente non deve mai superare 1 A. Una corrente eccessiva potrebbe danneggiare o bruciare i circuiti.

## 3.10 Precauzioni per l'installazione della stampante

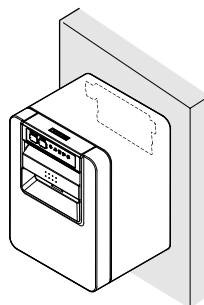
Il prodotto può essere utilizzato orizzontalmente o montato a parete. Non può essere utilizzato verticalmente.



Posizione orizzontale



Posizione verticale



Montato a parete



### ATTENZIONE

**Non utilizzare la stampante nelle seguenti condizioni:**

- Evitare luoghi soggetti a vibrazioni o instabilità.
- Punti molto sporchi o polverosi.
- Evitare luoghi in cui la stampante non si trova perfettamente in piano.
  - ◆ **La stampante può cadere e provocare lesioni.**
  - ◆ **La qualità di stampa può peggiorare.**
- Orientamento diverso da quello prescritto.
  - ◆ **Possono verificarsi malfunzionamenti, guasti o scosse elettriche.**

**Precauzioni per installazioni orizzontali**

- Non utilizzare l'impostazione di taglio totale. In caso contrario, la taglierina potrebbe incepparsi.

**Precauzioni per installazioni a parete**

- Regolare il sensore di quasi-fine carta.

### Per il montaggio a parete

Se la stampante deve essere montata a parete, rivolgersi a un tecnico dell'assistenza per l'installazione.

Per maggiori informazioni, consultare il manuale del kit di montaggio a parete separato.

## 3.11 Regolazione del sensore di quasi-fine carta

Cambiare l'impostazione del sensore di quasi-fine carta per regolare la posizione nella quale si rileva lo stato di quasi-fine carta.

1. Premere delicatamente il sensore quasi fine carta con il dito.
2. Tenere premuto il sensore quasi fine carta e spostarlo a sinistra e a destra. Le posizioni del sensore per i vari diametri di rotoli di carta utilizzati sono illustrate di seguito.

(Unità: mm)

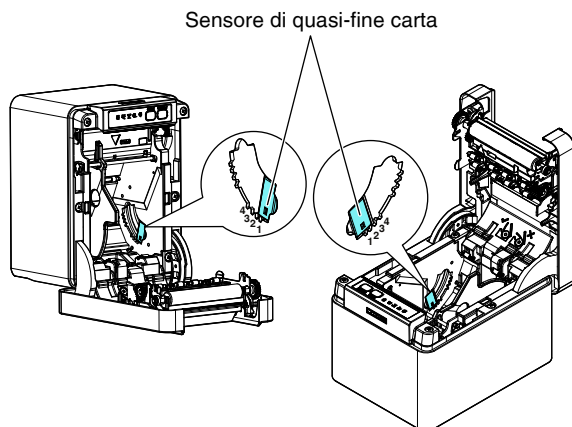
Posizione del sensore	Diametro esterno rotolo di carta quando è rilevato quasi fine carta	Diametro esterno/interno dell'anima del rotolo di carta
1*	Circa $\varnothing 22,0$	$\varnothing 18/\varnothing 12$
2	Circa $\varnothing 25,0$	$\varnothing 18/\varnothing 12$
3	Circa $\varnothing 29,0$	$\varnothing 18/\varnothing 12$
4	Circa $\varnothing 34,0$	$\varnothing 18/\varnothing 12$

Note:

- \* La posizione del sensore all'uscita dalla fabbrica. Tuttavia, le impostazioni di fabbrica possono variare a seconda del mercato di destinazione.

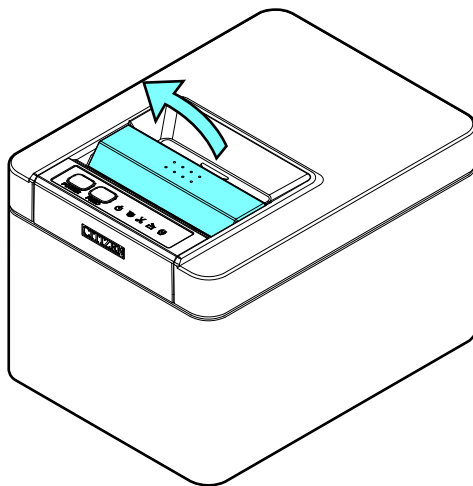
### Note

Il diametro del rotolo di carta che è rilevato corrisponde a una stima. Si possono verificare delle variazioni a seconda della carta.



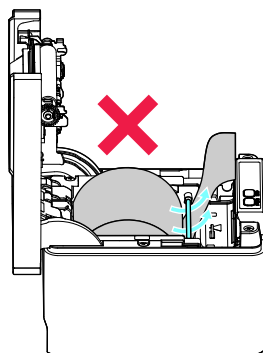
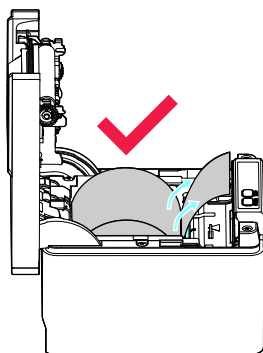
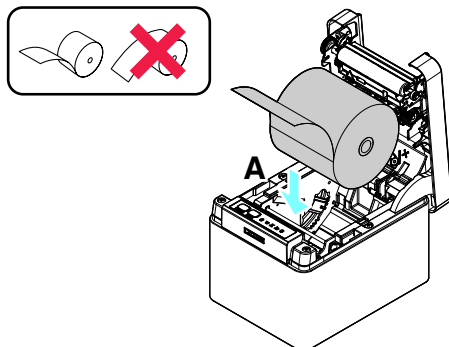
## 3.12 Caricamento della carta

1. Accendere la stampante.
2. Tirare la leva di apertura del coperchio verso di sé per aprire il coperchio carta.

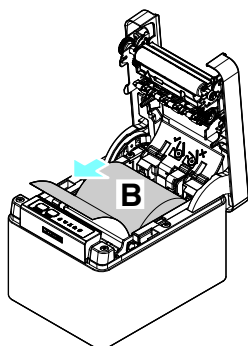


**3. Caricare il rotolo di carta in modo che il lato stampabile sia rivolto verso l'alto, come indicato dalla freccia.**

Posizionare il rotolo di carta in modo che passi sopra l'ammortizzatore antiarricciamento carta.



**4. Tenendola dritta, estrarre la carta di qualche centimetro nel senso indicato dalla freccia B.**



**5. Chiudere il coperchio carta fino a bloccarlo con uno scatto. La carta avanza e viene tagliata automaticamente (se è attiva l'impostazione di fabbrica).**



## ATTENZIONE

- Aprendo il coperchio carta, prestare attenzione a non toccare l'ingresso della lama della tagliarina automatica.
- La testina di stampa è molto calda subito dopo la stampa. Prestare attenzione a non toccarla con le mani.
- Non toccare mai la testina di stampa a mani nude o con oggetti metallici.
- Quando si chiude il coperchio carta, prestare attenzione a non incastrare le dita.
- Prestare attenzione ai tagli della carta durante il caricamento.

### Note

- Utilizzare esclusivamente i rotoli di carta specificati.
- Verificare che il rotolo di carta sia installato correttamente.
- Se la carta è inclinata e non esce dritta dal coperchio carta, aprirlo e raddrizzarla.
- Se si apre il coperchio per caricare la carta, estrarla sempre di qualche centimetro dalla stampante tenendola dritta.
- Premere al centro del coperchio carta per chiuderlo saldamente.  
Se se ne chiude solo uno, la stampa potrebbe risultare irregolare.



**Consultare PRECAUZIONI PER LA MANIPOLAZIONE DELLA STAMPANTE**

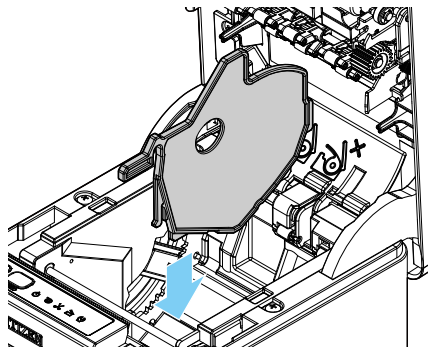


## 3.13 Divisorio per rotolo carta di larghezza 58 mm

1. Spegner la stampante.
2. Tirare la leva di apertura del coperchio verso di sé per aprire il coperchio carta.
3. Inserire il divisorio in dotazione nella scanalatura. Quando si utilizza un rotolo di carta di larghezza 80 mm, rimuovere il divisorio.
4. Modificare la larghezza dell'area di stampa consultando "Impostazione manuale dei memory switch" alla Sezione 5.3.



Consultare 5.3 Impostazione manuale dei memory switch



### ATTENZIONE

- Aprendo il coperchio carta, prestare attenzione a non toccare l'ingresso della lama della tagliarina automatica.
- La testina di stampa è molto calda subito dopo la stampa. Prestare attenzione a non toccarla con le mani.
- Non toccare mai la testina di stampa a mani nude o con oggetti metallici.

## Note

- Quando si utilizzano supporti di larghezza 58 mm, montare sempre il divisorio.
- Quando si utilizza carta di larghezza 58 mm, utilizzare la stampante esclusivamente per tale formato.

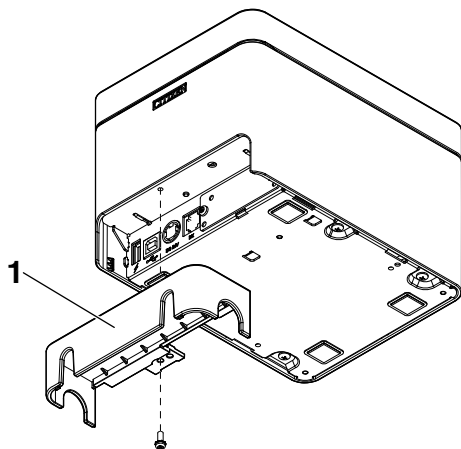
La stampante potrebbe non alimentare la carta o stampare correttamente se viene impostata la larghezza di 80 mm dopo aver utilizzato carta da 58 mm.



**Consultare PRECAUZIONI PER LA MANIPOLAZIONE DELLA STAMPANTE**

## 3.14 Montaggio del coperchio del cavo

- Allineare le linguette della copertura del cavo con le scanalature sull'unità principale della stampante, quindi inserirle.



1. Coperchio del cavo

## 3.15 Precauzioni per la creazione di applicazioni e funzioni pratiche

Se la stampa avviene dopo il taglio parziale e lo strappo della carta, la parte alta della stampa successiva può risultare distorta.

Per la stampa dopo il taglio, si consiglia di stampare con la prima riga vuota.

Se si utilizza un'interfaccia seriale con bassa velocità di trasmissione dati, sulla stampa di grafici o testi graduati che richiedono una maggiore quantità di dati possono comparire strisce.

Le interfacce USB sono suscettibili agli effetti delle interferenze elettromagnetiche ambientali.

In tal caso, utilizzare un cavo con nuclei in ferrite su entrambe le estremità, molto efficace per eliminare le interferenze elettromagnetiche.

## 3.16 Sito per il download di file utili

Dal seguente sito è possibile visualizzare informazioni per l'assistenza e scaricare gli ultimi documenti, driver, utility, ecc.

<https://www.citizen-systems.co.jp/en/printer/download/>

## 4. MANUTENZIONE E ASSISTENZA

### 4.1 Pulizia periodica

#### Manutenzione della superficie esterna della stampante

Dopo aver spento la stampante, indossare i guanti e strofinarla con un panno morbido o dell'ovatta.

Prima della manutenzione, scollegare sempre il cavo di alimentazione CA dalla presa elettrica.



#### **ATTENZIONE**

- Un uso prolungato di detersivi può sbiancare l'alloggiamento esterno.
- Prima di pulire la stampante con prodotti chimici approvati, provarli e consultare sempre la procedura consigliata dal produttore.
- In presenza di fiamme, non pulire con etanolo, che è una sostanza estremamente infiammabile.
- Distribuire i prodotti chimici sulla stampante con un panno morbido. Non spruzzarli o versarli direttamente sulla stampante.
- Dopo la pulizia, rimuovere il disinfettante con un panno morbido e umido. Sulla stampante non devono rimanere gocce d'acqua.
- Non bagnare o strofinare l'interno della stampante ed evitare che il disinfettante penetri all'interno. In caso contrario, il prodotto potrebbe guastarsi.

#### Pulizia della testina di stampa e del piatto

Se la testina di stampa, il piatto o altre parti della stampante sono sporchi, la stampante potrebbe non stampare nitidamente o potrebbero verificarsi malfunzionamenti. Si consiglia di pulire l'unità periodicamente (ogni due o tre mesi circa) utilizzando la seguente procedura.

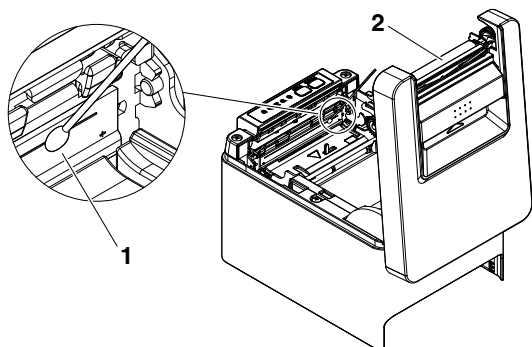
##### **1. Spegnere la stampante.**

Prima della manutenzione, scollegare sempre il cavo di alimentazione CA dalla presa elettrica.

##### **2. Tirare la leva di apertura del coperchio verso di sé per aprire il coperchio carta.**

##### **3. Attendere il raffreddamento della testina di stampa per qualche minuto.**

##### **4. Passare un batuffolo di cotone inumidito con alcol etilico per eliminare lo sporco e la polvere presenti sulla testina di stampa e il piatto.**



1. Testina di stampa

2. Piatto



## ATTENZIONE

- Aprendo il coperchio carta, prestare attenzione a non toccare l'ingresso della lama della tagliarina automatica.
- La testina di stampa è molto calda subito dopo la stampa. Prestare attenzione a non toccarla con le mani.
- Non toccare mai la testina di stampa a mani nude o con oggetti metallici.



**Consultare PRECAUZIONI PER LA MANIPOLAZIONE DELLA STAMPANTE**

## 4.2 Eliminazione degli errori della taglierina

Se durante il taglio automatico la taglierina si arresta con la lama in posizione aperta a causa dell'ingresso di corpi estranei, inceppamenti, ecc., CUTTER LED lampeggia.

Correggere gli errori della taglierina con la seguente procedura.

1. **Accendere la stampante.**
2. **Tirare la leva di apertura del coperchio verso di sé per aprire il coperchio carta.**
3. **Rimuovere la carta inceppata, compresi eventuali pezzi di carta strappati (togliere anche il rotolo di carta dal supporto).**
4. **Ricaricare il rotolo di carta e chiudere il coperchio carta.**



### ATTENZIONE

- Aprendo il coperchio carta, prestare attenzione a non toccare l'ingresso della lama della taglierina automatica.
- La testina di stampa è molto calda subito dopo la stampa. Prestare attenzione a non toccarla con le mani.
- Non toccare mai la testina di stampa a mani nude o con oggetti metallici.



**Consultare PRECAUZIONI PER LA MANIPOLAZIONE DELLA STAMPANTE**

## 4.3 Ripristino dopo un arresto stampa per inceppamento della carta

Il sensore di inceppamento carta rileva un inceppamento all'uscita della carta e arresta la stampa.

Utilizzare il seguente metodo per ripristinare la stampante dopo un arresto stampa per inceppamento della carta.

1. **Rimuovere tutta la carta inceppata all'uscita.**
2. **Se non è possibile rimuoverla, aprire il coperchio carta e rimuovere la carta.**
3. **Caricare la carta, chiudere il coperchio carta e verificare che il PAPER LED sia spento.**

## 4.4 Autodiagnosi

È possibile utilizzare l'autodiagnosi per rilevare eventuali problemi della stampante.

### Esecuzione dell'autodiagnosi

1. Con la carta caricata, tenere premuto il pulsante FEED e accendere la stampante.
2. Tenere premuto il pulsante FEED per circa un secondo fino ad azionare il cicalino. Rilasciare il pulsante per avviare l'autodiagnosi. La stampante stampa il nome del modello, la versione, le impostazioni dei memory switch e i font incorporati.

```
CT-E601 ← 1
FA00-XXXX
20XX-XX-XX
PROG : BOT-XXX.XXX
FPGA : RBF-XXX.XXX
FONT : ANK-XXX.XXX
FONT : ANK-XXX.XXX
CONF : J3R-3R
SUM:XXXX-XXXX
Interface Type
Serial
Serial Interface
Baud rate :9600
Data bit :8 bits
Parity :None
Handshaking :DTR/DSR
Buffer Size
4K Bytes
```

```
Memory switches
Memory SW( 1) 00000000
Power On Info (Valid)
Buffer Size (4K bytes)
Busy Condition (Full/Err)
Receive Error (Print ?)
CR Mode (Ignored)
DSR Signal (Invalid)
Init Signal (Invalid)
Memory SW( 2) 00001011
Auto Cutter (Valid)
Spool Print (Invalid)
Full Col Print (WaitData)
Resume aft PE (Next)
PNE Sensor (Valid)
Memory SW( 3) 00000010
Resume Ctrr Err (Valid)
PE signal by PNE (Invalid)
CBM1000 Mode (Invalid)
Resume Open Err (Close)
Memory SW( 4) 10000100
Feed&Cut at TOF (Valid)
Partial Only (Valid)
Memory SW( 5) 00000100
Buzzer (Valid)
Line Pitch (1/360)
USB Mode (Printer Class)
```

- 1: Nome e tipo stampante
- 2: Versione del firmware
- 3: Impostazioni interfaccia
- 4: Dimensione buffer
- 5: Impostazioni dei memory switch



## 4.5 Stampa della copia del contenuto memoria esadecimale

Stampa dei dati ricevuti in esadecimale. Se si riscontrano problemi come dati mancanti o duplicati, questa funzione permette di verificare la corretta ricezione dei dati sulla stampante.

### Stampa della copia del contenuto memoria esadecimale

1. Caricare la carta.
2. Con il coperchio carta aperto, tenere premuto il pulsante FEED mentre si accende la stampante. Tenere premuto il pulsante FEED fino a quando POWER LED inizia a lampeggiare, quindi chiudere il coperchio carta.
3. La stampante stampa "HEX dump print mode" (modalità di stampa della copia del contenuto memoria esadecimale), quindi stampa tutti i dati ricevuti sotto forma di numeri esadecimale e caratteri.

### Arresto della stampa della copia del contenuto memoria esadecimale

Per arrestare la stampa, eseguire una delle seguenti operazioni.

- Premere tre volte il pulsante FEED
- Spegnerne la stampante
- Ricevere un comando di reset da un'interfaccia

#### Note

- La stampante stampa "." se non trova un carattere corrispondente ai dati.
- Nessun comando funziona durante la stampa della copia del contenuto memoria esadecimale.
- Se i dati di stampa non riempiono una riga completa, premere il pulsante FEED per far avanzare la carta.

Esempio di stampa

HEX dump print mode

```
61 62 63 64 65 66 67 0A 0D 0D 0D 0D abcdefg.....  
0D 0D 0D                                     .....
```

## 4.6 Indicazioni di errore

- Fine carta, quasi fine carta

La fine del rotolo di carta viene rilevato in due fasi: quasi-fine carta e fine carta.

Se si rileva un quasi fine carta il PAPER LED lampeggia. Predisporre un rotolo di carta nuovo.

Se si rileva fine carta il PAPER LED lampeggia e il cicalino emette un suono.

Caricare un rotolo di carta nuovo. Le configurazioni dei memory switch possono essere utilizzate per disattivare il cicalino.

- Coperchio aperto

Se il coperchio è aperto, COVER LED si accende e il cicalino suona.

A seconda dell'impostazione del memory switch, il cicalino potrebbe non suonare.

Non aprire il coperchio durante la stampa. Se il coperchio viene aperto accidentalmente, COVER LED lampeggia. Controllare la carta, estrarla di qualche centimetro dalla stampante tenendola dritta e chiudere il coperchio. La stampa riprende. A seconda dell'impostazione del memory switch, per riprendere la stampa potrebbe essere necessario inviare un comando.

- Errore taglierina

Se la taglierina automatica non si può muovere per un inceppamento o per cause simili, il CUTTER LED lampeggia e il cicalino suona. Eliminare la causa del problema e premere il pulsante FEED. Se la taglierina automatica ancora non si sposta ed è impossibile aprire il coperchio carta, vedere "Eliminazione degli errori della taglierina".



**Consultare 4.2 Eliminazione degli errori della taglierina**

- Arresto per inceppamento della carta

Quando si verifica un inceppamento all'uscita della carta, il PAPER LED lampeggia e la stampa si arresta.

Rimuovere la carta inceppata e caricare la carta.



**Consultare 4.3 Ripristino dopo un arresto stampa per inceppamento della carta**

● Testina di stampa calda

Quando si stampano caratteri ad alta densità, immagini scure o si stampa per periodi prolungati in un ambiente caldo, la temperatura della testina di stampa aumenta. Se la temperatura della testina di stampa supera un limite prestabilito, la stampante cessa di funzionare ed aspetta fino a che la temperatura della testina di stampa si abbassa. Quando ciò si verifica, il PAPER LED, il CUTTER LED e il COVER LED lampeggiano. La stampa riprende automaticamente quando la testina di stampa si raffredda.

Di seguito vengono riportati i display di stato per vari messaggi.

Stato	POWER LED	PAPER LED	CUTTER LED	COVER LED	SERVICE LED	Cicalino *1
Quasi-fine carta	Acceso		Spento	Spento	Spento	No
Fine carta	Acceso	Acceso	Spento	Spento	Spento	Si*2
Coperchio aperto*3	Acceso	Spento	Spento	Acceso	Spento	Si*2
Coperchio aperto II*4	Acceso	Spento	Spento		Spento	Si*2
Dispositivo di taglio bloccato	Acceso	Spento		Spento	Spento	Si
Arresto stampa per inceppamento della carta	Acceso		Spento	Spento	Spento	No
Errore di tensione bassa	Acceso				Spento	No
Errore di tensione alta	Acceso	Spento	Spento	Spento		No
Errore sistema	Acceso	Spento	Spento	Spento		No
Errore di memoria	Spento	Spento	Spento	Spento		No
Testina di stampa calda	Acceso				Spento	No
Attesa esecuzione macro		Spento	Spento	Spento	Spento	No
Ricezione dati		Spento	Spento	Spento	Spento	No

Note:

\*1 Il cicalino suona se si imposta MSW5-1 (impostazione cicalino) su ON.

\*2 MSW10-5 (evento cicalino) può essere configurato per disattivare il cicalino.

\*3 Indicato quando un coperchio è aperto in stand-by.

\*4 Indicato quando viene aperto un coperchio durante la stampa.

## 4.7 Inceppamenti carta

Evitare ostruzioni dell'uscita della carta e inceppamenti nell'area circostante durante la stampa.

Se la carta non fuoriesce dalla stampante, si arrotola sul piatto interno e provoca un errore.

Se la carta si avvolge intorno al piatto, aprire il coperchio carta ed estrarla con cura.

## 4.8 Precauzioni per l'esecuzione della stampa a velocità variabile

Quando si esegue una stampa a velocità variabile, potrebbero comparire righe bianche o la carta potrebbe non avanzare, a seconda delle condizioni di stampa. Per prevenire questi problemi, cambiare le seguenti impostazioni dei memory switch.

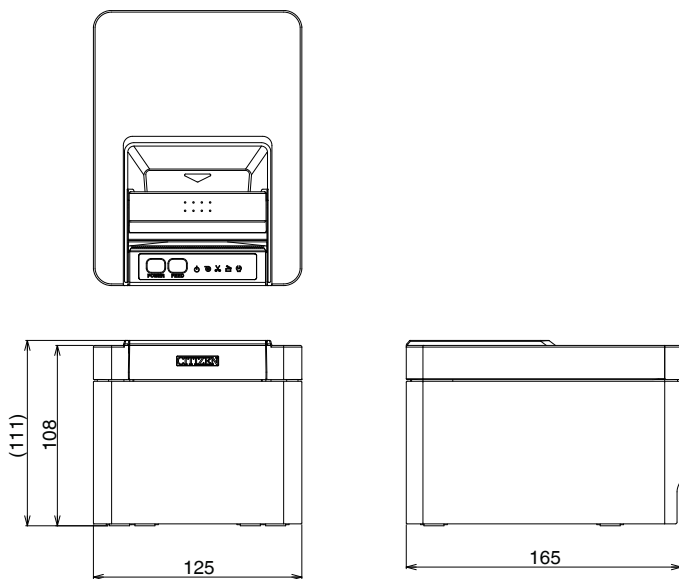
1. **Abilitare MSW2-3 (buffering).**
2. **Aumentare la velocità in baud di MSW7-1 (velocità in baud seriale).**
3. **Impostare un livello più basso per MSW10-2 (velocità di stampa).**

Note
A seconda della velocità di trasmissione dell'interfaccia seriale, della temperatura ambiente, della quantità di dati di stampa e altri fattori, la modifica delle suddette impostazioni potrebbe non eliminare i problemi.

## 5. ALTRO

### 5.1 Viste e dimensioni esterne

(Unità: mm)

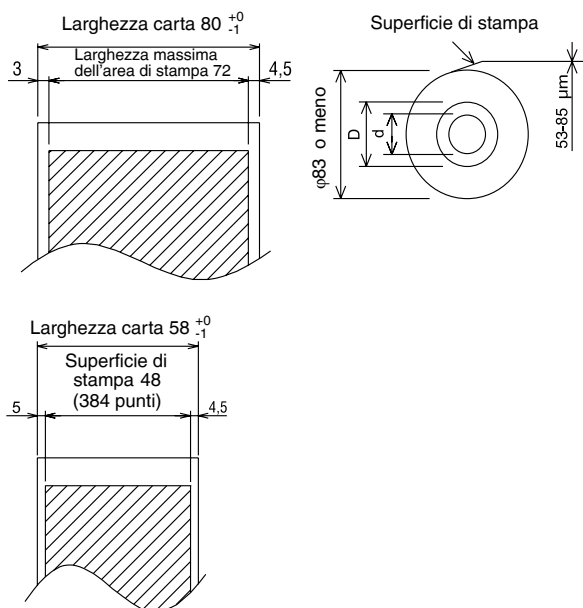


## 5.2 Carta per la stampa

Utilizzare la carta indicata nella tabella seguente o carta di qualità equivalente.

Tipo di carta	Nome del prodotto
Rotolo di carta termica consigliato	Nippon Paper TP50KR-2Y, TP50KJ-R, TL69KS-LH, TF50KS-E2D Oji Paper PD150R, PD160R, PD160R-63 Mitsubishi Paper Mills HP220AB-1, P220AB Koehler KT48-FA

(Unità: mm)



Spessore della carta ( $\mu\text{m}$ )	Da 53 a 85
Diametro interno dell'anima del rotolo d (mm)	$\varnothing 12$
Diametro esterno dell'anima del rotolo D (mm)	$\varnothing 18$

## Note

### Utilizzare carta termica arrotolata come segue:

- Non corrugata e fissata strettamente all'anima del rotolo.
- Non piegata.
- Non incollata all'anima del rotolo.
- Arrotolata con il lato di stampa rivolto all'esterno.



## 5.3 Impostazione manuale dei memory switch

I memory switch sono utilizzati per configurare diverse impostazioni della stampante e possono essere impostati manualmente oppure tramite utility o comandi. Questa sezione spiega come eseguire le impostazioni manuali.

Per maggiori informazioni su come impostare i memory switch tramite comandi, vedere Riferimento Comandi.

### **Modalità Quick setting**

Le impostazioni dei memory switch per costruttore, modello, larghezza carta e spaziatura carattere di una stampante sostitutiva possono essere impostate contemporaneamente con le configurazioni ottimali.

Configurare confermando le opzioni selezionate sulla stampa.

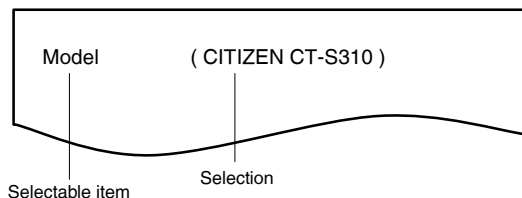
#### **1. Caricare la carta.**

#### **2. Con il coperchio carta aperto, tenere premuto il pulsante FEED e accendere la stampante.**

#### **3. Premere il pulsante FEED tre volte e chiudere il coperchio carta.**

La stampante accede alla modalità quick setting dei memory switch.

Vengono stampati l'opzione selezionabile "Model" e la selezione.



#### **4. Premere il pulsante FEED.**

Viene stampata una selezione nell'ordine ciclico ogni qualvolta si preme il pulsante FEED.

Premere il pulsante FEED finché la selezione desiderata non viene stampata.

#### **5. Premere il pulsante FEED per almeno due secondi.**

La selezione è impostata.

In caso di altra opzione selezionabile, questa verrà stampata insieme alla selezione.

#### **6. Ripetere i passaggi 4 e 5 per selezionare e impostare modello, larghezza carta, spaziatura carattere (solo EPSON T88).**

Quando tutte le opzioni sono state impostate, viene stampato "Save To Memory".

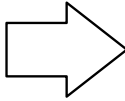
## 7. Premere il pulsante FEED per almeno due secondi.

Le impostazioni modificate del memory switch vengono salvate e stampate su un elenco.

Al termine della stampa la stampante esce dalla modalità quick setting.

### Opzione selezionata

Manufacturer	Paper width	Character space
CITIZEN CT-S310	58 mm	-
	80 mm	-
EPSON T88	58 mm	0 dot
		1 dot
	80 mm	0 dot
		1 dot
EPSON 203dpi	80 mm	-
	58 mm	-



### Impostazioni automatiche dei

#### memory switch

MSW2-4 Full Col Print	MSW3-7 CBM1000 Mode	MSW8-1 Print Width	MSW6-2 Character Space
WaitData	Invalid	384 dots	-
WaitData	Invalid	576 dots	-
WaitData	Invalid	360 dots	0 dot
WaitData	Invalid	390 dots	1 dot
WaitData	Invalid	512 dots	0 dot
WaitData	Invalid	546 dots	1 dot
WaitData	Invalid	576 dots	0 dot
WaitData	Invalid	420 dots	-

## Modalità di configurazione individuale

Configura i memory switch individualmente.

Eseguire la configurazione verificando la funzione e le impostazioni dei memory switch sulla stampa.

### 1. Caricare la carta.

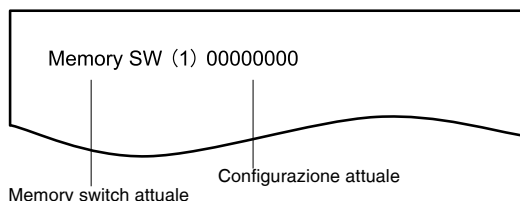
### 2. Con il coperchio carta aperto, tenere premuto il pulsante FEED e accendere la stampante.

### 3. Premere il pulsante FEED due volte e chiudere il coperchio carta.

La stampante accede alla modalità di configurazione individuale dei memory switch.

La stampante stampa "Memory SW (1)" e la configurazione attuale, 0 (off) o 1 (on).

(Le impostazioni correnti per i memory switch da 7 a 13 non vengono stampate).



### 4. Premere il pulsante FEED.

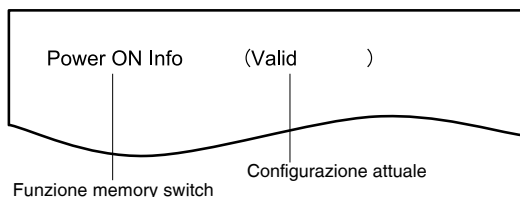
A ogni pressione del pulsante FEED, l'elenco dei memory switch scorre ciclicamente nel seguente ordine: "Memory SW (1)" > "Memory SW (2)" > ... "Memory SW (11)" o "Memory SW (13)" > "Save To Memory" > "Memory SW (1)".

Premere il pulsante FEED fino a quando viene stampato il numero del memory switch che si desidera modificare.

### 5. Premere il pulsante FEED per almeno due secondi.

A ogni pressione del pulsante FEED per almeno due secondi, viene stampata l'impostazione del memory switch secondo l'ordine ciclico.

Premere il pulsante FEED per almeno due secondi per scorrere l'elenco fino a quando viene stampata la funzione del memory switch che si desidera modificare.



## 6. Premere il pulsante FEED.

A ogni pressione del pulsante FEED nell'ordine ciclico viene stampata un'impostazione. Durante la stampa delle impostazioni correnti, COVER LED si accende. Premere il pulsante FEED fino a quando viene stampata l'impostazione desiderata.

## 7. Premere il pulsante FEED per almeno due secondi.

Le impostazioni selezionate vengono applicate. Quindi, vengono stampate la funzione e le impostazioni del memory switch successivo.

## 8. Ripetere i passaggi da 5 a 7 per modificare le varie funzioni del numero corrente di memory switch.

## 9. Aprire e chiudere il coperchio carta.

Vengono stampate le impostazioni del memory switch modificate.

## 10. Ripetere i passaggi da 4 a 9 per modificare le funzioni di un numero diverso di memory switch.

## 11. Premere il pulsante FEED fino a quando viene stampato "Save To Memory".

## 12. Premere il pulsante FEED per almeno due secondi.

Le impostazioni modificate del memory switch vengono salvate e stampate su un elenco. Al termine della stampa, la stampante esce dalla modalità di configurazione individuale.

## Inizializzazione dei memory switch

Riporta tutti i memory switch ai valori predefiniti di fabbrica.

### 1. Effettuare i passaggi da 1 a 3 della procedura per accedere alla modalità di configurazione individuale.

### 2. Premere il pulsante FEED fino a quando viene stampato "Save To Memory".

### 3. Aprire il coperchio carta.

### 4. Premere il pulsante FEED per almeno due secondi.

Tutti i memory switch tornano ai valori predefiniti di fabbrica.

### 5. Chiudere il coperchio carta.

La funzione di ciascun memory switch viene indicata nella tabella seguente (i valori ombreggiati corrispondono alle impostazioni di fabbrica).

N. switch	Funzione	OFF	ON
MSW1-1	Power ON Info	Valid	Not Send
MSW1-2	Buffer Size	4K bytes	45 bytes

<b>N. switch</b>	<b>Funzione</b>	<b>OFF</b>	<b>ON</b>
MSW1-3	Busy Condition	Full/Err	Full
MSW1-4	Receive Error	Printt"?"	No Print
MSW1-5	Mode	Ignored	LF
MSW1-6	Reserved	Fixed	—
MSW1-7	DSR Signal	Invalid	Valid
MSW1-8	INIT Signal	Invalid	Valid
MSW2-1	Reserved	—	Fixed
MSW2-2	Auto Cutter	Invalid	Valid
MSW2-3	Spool Print	Invalid	Valid
MSW2-4	Full Col Print	LineFeed	WaitData
MSW2-5	Resume aft PE	Next	Top
MSW2-6	Reserved	Fixed	—
MSW2-7	Reserved	Fixed	—
MSW2-8	PNE Sensor	Valid	Invalid
MSW3-1	Resume Ctrr Err	Valid	Invalid
MSW3-2	PE signal by PNE	Valid	Invalid
MSW3-3	Reserved	Fixed	—
MSW3-4	Reserved	Fixed	—
MSW3-5	Reserved	Fixed	—
MSW3-6	Reserved	Fixed	—
MSW3-7	CBM1000 Mode	Invalid	Valid
MSW3-8	Resume Open Err	Close	Command
MSW4-1	Reserved	Fixed	—
MSW4-2	Reserved	Fixed	—
MSW4-3	Feed&Cut at TOF	Invalid	Valid
MSW4-4	Reserved	Fixed	—
MSW4-5	Reserved	Fixed	—
MSW4-6	Reserved	Fixed	—
MSW4-7	Reserved	Fixed	—
MSW4-8	Partial Only	Invalid	Valid
MSW5-1	Buzzer	Valid	Invalid
MSW5-2	Line Pitch	1/360	1/406
MSW5-3	USB Mode	Virtual COM	Printer Class
MSW5-4	Reserved	Fixed	—
MSW5-5	Reserved	Fixed	—
MSW5-6	Reserved	Fixed	—
MSW5-7	Reserved	Fixed	—
MSW5-8	Reserved	Fixed	—
MSW6-1	Act. For Driver	Invalid	Valid
MSW6-2	Character Space	Invalid	Valid
MSW6-3	USB Power Save	Invalid	Valid
MSW6-4	Reserved	Fixed	—
MSW6-5	Reserved	Fixed	—
MSW6-6	Reserved	Fixed	—
MSW6-7	USB Power@PW-OFF	Invalid	Valid
MSW6-8	Power ON trigger	Power switch ON	AC power input

<b>N. switch</b>	<b>Funzione</b>	<b>Initial setting</b>	<b>Setting value</b>
MSW7-1	Baud Rate	9600 bps	1200 bps, 2400 bps, 4800 bps, 9600 bps, 19200 bps, 38400 bps, 57600 bps, 115200 bps
MSW7-2	Data Length	8bits	7bits, 8bits
MSW7-3	Stop Bit	1bit	1bit, 2bits
MSW7-4	Parity	NONE	NONE, ODD, EVEN
MSW7-5	Flow Control	DTR/DSR	DTR/DSR, XON/XOFF
MSW7-6	DMA Control	Valid	Valid, Invalid
MSW7-7	VCom Protocol	PC Setting	PC Setting, DTR/DSR, XON/XOFF
MSW8-1	Print Width	576 dots	576 dots, 546 dots, 512 dots, 420 dots, 390 dots, 384 dots, 360 dots
MSW8-3	Top Margin	12 mm	2 mm, 3 mm, 4 mm, 5 mm, 6 mm, 7 mm, 8 mm, 9 mm, 10 mm, 11 mm, 12 mm
MSW8-4	Line Gap Reduce	Invalid	Invalid, 3/4, 2/3, 1/2, 1/3, 1/4, 1/5, ALL
MSW8-5	Reduced Char V/H	100% / 100%	100% / 100%, 75% / 100%, 50% / 100%, 100% / 75%, 75% / 75%, 50% / 75%
MSW8-6	Auto Side Shift	Invalid	Invalid, 1 dot, 2 dots, 3 dots, 4 dots, 5 dots, 6 dots, 7 dots
MSW9-1	Code Page	PC437	PC 437, Katakana, PC 850, PC 858, PC 860, PC 863, PC 865, PC 852, PC 866, PC 857, WPC1252, Space page, PC 864, ThaiCode11 1Pass, ThaiCode11 3Pass, ThaiCode18 1Pass, ThaiCode18 3Pass, TCVN-3, WPC1258
MSW9-2	Int'Char Set	U.S.A	USA, France, Germany, England, Denmark, Sweden, Italy, Spain, Japan, Norway, Denmark 2, Spain 2, Latin America, Korea, Croatia, China, Vietnam
MSW9-4	Kanji code	Invalid	Disabled, JIS (Japan), SJIS: CP932 (Japan), SJIS: X0213 (Japan), GB18030 (China), KS Hangul (South Korea), EUC Hangul (South Korea), BIG5-HKSCS
MSW10-1	Print Density	100 %	70 %, 75 %, 80 %, 85 %, 90 %, 95 %, 100 %, 105 %, 110 %, 115 %, 120 %, 125 %, 130 %, 135 %, 140 %
MSW10-2	Print Speed	Level 9	Level 1, Level 2, Level 3, Level 4, Level 5, Level 6, Level 7, Level 8, Level 9
MSW10-4	Old Command	Invalid	Invalid, CBM1, CBM2
MSW10-5	Buzzer Event	Not By C. Open	All Event/Error, Not by C.Open, Not by C.Open/PE
MSW10-6	Buzzer Sound	Tone 2	Tone 1, Tone 2, Tone 3, Tone 4
MSW13-1	Security/Target	Low/All	Low/All, Mid/All, Mid/Paired only, Hi/All, Hi/Paired only
MSW13-5	BT Device Scan	Discoverable	No Response, Discoverable
MSW13-6	Auto Reconnect	Valid	Invalid, Valid

# ESPAÑOL

## PRECAUCIONES GENERALES

- Antes de utilizar este producto, asegúrese de leer completamente este manual. Después de haber leído este manual, guárdelo en un lugar seguro al que pueda acceder fácilmente para poder consultarlo en el futuro.
- La información de este manual está sujeta a cambios sin previo aviso.
- La reproducción o transferencia parcial o total de este documento por cualquier medio está prohibida si no se dispone del permiso de Citizen Systems.
- Citizen Systems no se hace responsable de los resultados de impresión independientemente de la existencia de omisiones, errores o erratas en este manual.
- Citizen Systems no es responsable por cualquier problema causado como resultado del uso de partes opcionales o materiales de consumo no especificados en este manual.
- A menos que se explique en alguna parte en este manual, no intente mantener, desmontar o reparar este producto.
- Citizen Systems no es responsable por ningún daño atribuible a una operación/manejo incorrecto, o condiciones ambientales inadecuadas que no se especifiquen en este manual.
- Los datos son básicamente para uso temporal y no son almacenados durante un largo período de tiempo ni permanentemente. Citizen Systems no se hace responsable de los daños o lucro cesante que pudieran resultar de la pérdida de datos por accidentes, reparaciones, pruebas u otras causas.
- Si detecta alguna omisión o error o bien tiene alguna duda, póngase en contacto con su distribuidor de Citizen Systems.
- Si detecta que falta alguna página o que están incorrectamente ordenadas, póngase en contacto con su distribuidor de Citizen Systems para obtener un manual de reposición.

El uso de la insignia “Made for Apple” significa que un accesorio se ha diseñado para conectarse específicamente al producto o a los productos de Apple identificados en la insignia y que el desarrollador ha certificado que cumple con las normas de rendimiento de Apple.

Apple no se hace responsable del funcionamiento de este dispositivo ni de su conformidad con las normas de seguridad y regulatorias.

Tenga en cuenta que el uso de este accesorio con un producto de Apple puede afectar al rendimiento inalámbrico.

- Apple, Apple TV, Apple Watch, iPad, iPad Air, iPad Pro, iPhone, and Lightning are trademarks of Apple Inc., registered in the U.S. and other countries. tvOS is a trade-



mark of Apple Inc. The trademark "iPhone" is used in Japan with a license from iPhone K.K.

- EPSON y ESC/POS son marcas comerciales registradas de Seiko Epson Corporation.
- QR Code es una marca comercial registrada de DENSO WAVE INCORPORATED.
- Ethernet es una marca comercial registrada de Fuji Xerox Corporation.
- Bluetooth® es una marca registrada de Bluetooth-SIG Inc.
- CITIZEN es una marca comercial registrada de Citizen Watch Co., Ltd.
- Todas las demás marcas comerciales son propiedad de sus respectivos propietarios.
- Citizen Systems emplea estas marcas comerciales de acuerdo con la licencia de los propietarios relevantes.

Copyright© CITIZEN SYSTEMS JAPAN CO., LTD. 2021

# NORMAS DE SEGURIDAD ...QUE DEBEN SER SEGUIDAS Estrictamente

Antes de utilizar este producto por primera vez, lea atentamente estas **NORMAS DE SEGURIDAD**. La manipulación incorrecta puede resultar en accidentes (incendio, descarga eléctrica o lesión).

Para evitar lesiones a los operadores, a terceros, o daños materiales, en este Manual de usuario se utilizan símbolos especiales de advertencia para indicar los puntos importantes que deben observarse estrictamente.

- Después de haber leído este manual, guárdelo en un lugar seguro al que pueda acceder fácilmente para poder consultarlo en el futuro.
- Algunas de las descripciones de este manual podrían no ser relevantes para algunos modelos de impresoras.

A continuación se describe el grado de peligro y los daños que podrían producirse si la impresora no es utilizada de la forma correcta o si se ignoran las instrucciones indicadas por los símbolos de advertencia. Asegúrese de leer esta información atentamente.



## ADVERTENCIA

Si no se cumplen las normas indicadas por este símbolo, se pueden producir lesiones mortales o graves.



## PRECAUCIÓN

Si no se cumplen las precauciones indicadas con este símbolo, se pueden producir lesiones personales o daños materiales.



Este símbolo se utiliza para avisarle de puntos importantes.



Este símbolo se utiliza para avisarle del peligro de descargas eléctricas o daños electrostáticos.



Este símbolo indica que la impresora debe ser desconectada de la toma de corriente mural.



Este símbolo se utiliza para indicar que la fuente de alimentación debe conectarse a tierra.



Este símbolo se utiliza para indicar una información útil, tal como procedimientos, instrucciones y otros.



Este símbolo se utiliza para indicar acciones prohibidas.

# PRECAUCIONES DE INSTALACIÓN PARA LA IMPRESORA

## ADVERTENCIA

### ■ No utilice ni guarde este producto en un lugar donde esté expuesto a:

- \* Llamas o aire húmedo.
- \* Luz solar directa.
- \* Aire caliente o calor procedente de un aparato de calefacción.
- \* Atmósfera salina o gases corrosivos.
- \* Lugar mal ventilado.
- \* Reacciones químicas en un laboratorio.
- \* Aceite, partículas de acero o polvo en el aire.
- \* Electricidad estática o campos magnéticos intensos.



### ■ En estos lugares se puede generar un riesgo de daños para la impresora, así como fallos en el producto, sobrecalentamiento, emisión de humos, incendios o descargas eléctricas.

También se pueden producir incendios o descargas eléctricas, por lo que deberán evitarse siempre.

### ■ No deje caer ningún objeto extraño ni derrame líquidos en el interior de la impresora. No ponga tampoco ningún objeto encima de la impresora.



### ■ No deje caer ningún objeto metálico como, por ejemplo, clips sujetapapeles, alfileres o tornillos en el interior de la impresora.

### ■ No coloque floreros, macetas o recipientes que contengan agua encima de la impresora.



### ■ No derrame café, bebidas o cualquier otro líquido en el interior de la impresora.

### ■ No rocíe insecticida ni ningún otro líquido químico encima de la impresora.

### ■ La caída accidental de un objeto extraño metálico en la impresora puede causar averías, un incendio o una descarga eléctrica.



Si ocurriese, apague inmediatamente la impresora, desenchúfela de la toma de corriente y llame a su distribuidor local de Citizen Systems.

## **ADVERTENCIA**

### ■ **No utilice la impresora en los siguientes casos:**

- No someta la impresora a fuertes impactos o sacudidas bruscas (por ejemplo, que sea pisoteada, se deje caer o reciba golpes).
- No intente nunca desmontar ni modificar la impresora.

### ■ **Estas acciones pueden generar un riesgo de daños para la impresora, así como fallos en el producto, sobrecalentamiento, emisión de humos, incendios o descargas eléctricas.**

**También se pueden producir incendios o descargas eléctricas, por lo que deberán evitarse siempre.**



**Este dispositivo no es adecuado para utilizarlo en lugares en que hayan niños presentes. Instale, utilice o guarde el dispositivo fuera del alcance de los niños.**

- Los aparatos eléctricos pueden causar lesiones o accidentes inesperados si se manejan o utilizan incorrectamente.
- Mantenga el cable de alimentación y los cables de señales fuera del alcance de los niños. Tampoco debe permitirse que los niños tengan acceso a la parte interna de la impresora.
- La bolsa de plástico en la que se entrega la impresora deberá ser eliminada correctamente o guardarse fuera del alcance de los niños. Cubrirse la cabeza con ella puede causar asfixia.





## PRECAUCIÓN

No utilice la impresora en las siguientes condiciones.

- Evite aquellos lugares inestables o sometidos a vibraciones.
- Evite aquellos lugares en los que la impresora no esté nivelada.

◆ La impresora podría caerse o provocar lesiones.

◆ La calidad de impresión podría deteriorarse.

- No bloquee los orificios de ventilación de la impresora.
- No coloque ningún objeto encima de la impresora.
- No cubra o envuelva la impresora con un paño o una sábana.

◆ De hacerlo, podría dar lugar a la acumulación de calor y deformación de la carcasa, y provocar un incendio.

- No utilice la impresora cerca de una radio o un televisor, ni la conecte a la misma toma de corriente de dichos aparatos.
- Evite utilizar la impresora interconectada con un cable o cordón que no tenga protección contra ruido.

(Para las interconexiones, utilice un cable blindado o un cable de par trenzado y núcleos de ferrita, u otros dispositivos antirruido).

- Evite utilizar la impresora junto a un aparato que sea una fuente de ruido intenso.

◆ La impresora puede causar un efecto adverso en las emisiones de radio y TV cercanas. También pueden haber casos en que los aparatos eléctricos cercanos afecten adversamente a la impresora, causando errores de datos o fallos de funcionamiento.

- Instalada con una orientación distinta a las especificadas.

◆ Puede resultar en funcionamiento erróneo, fallos o descargas eléctricas.





## PRECAUCIÓN

### ■ Conecte la impresora a una toma de tierra.

- Las fugas eléctricas pueden ocasionar descargas eléctricas.



### ■ No conecte la toma a tierra de la impresora a ninguno de los puntos siguientes:

#### \* Tuberías de gas

- Podría producirse una explosión de gas.



#### \* Tierra de la línea telefónica

#### \* Pararrayos

- Si cae un rayo, la sobrecorriente podría causar un incendio o una descarga eléctrica.



#### \* Tuberías de agua

- Para hacer la conexión a tierra no deberán utilizarse tuberías de agua de plástico. (Podrán utilizarse las tuberías aprobadas por la compañía de abastecimiento de agua).



### ■ Antes de conectar o desconectar el cable de puesta a tierra a/de la impresora, desenchufe siempre la impresora de la toma de corriente eléctrica.

# PRECAUCIONES PARA EL MANEJO DE LA IMPRESORA

## ADVERTENCIA

Tenga en cuenta las precauciones siguientes para la fuente de alimentación y el cable de alimentación:

- No enchufe ni desenchufe el cable de alimentación con las manos mojadas.
  - Utilice la impresora solamente con la tensión y la frecuencia especificada.
  - Utilice solamente el adaptador de CA especificado con la impresora.
  - Utilice solo el cable de alimentación que viene con la impresora y no utilice jamás el cable de alimentación suministrado con otro dispositivo.
  - Asegúrese de que la toma de corriente a la que conecte la impresora tenga la capacidad suficiente.
  - No conecte la impresora a una toma de corriente o un adaptador de alimentación compartidos con otros aparatos.
  - No enchufe el cable de alimentación a una toma eléctrica si el enchufe tiene polvo u otro tipo de suciedad adherida.
  - No utilice un cable de alimentación deformado o estropeado.
  - No mueva la impresora mientras está encendida.
- ◆ **El manejo incorrecto de la impresora puede provocar fallos, emisión de humo, incendio o descarga eléctrica.**
- ◆ **Una sobrecarga puede hacer que el cable de alimentación se recaliente, se incendie o se dispare el disyuntor.**
- No coloque nada encima del cable de alimentación. No coloque la impresora en un lugar donde el cable de alimentación pueda ser pisado.
  - No doble, retuerce o estire el cable de alimentación excesivamente. Tampoco transporte el producto mientras se encuentre en este estado.
  - No intente modificar el cable de alimentación si no es necesario.
  - No coloque el cable de alimentación cerca de un aparato de calefacción.
- ◆ **Si no se observan estas precauciones, podrían romperse los cables o el aislamiento, lo que podría causar fugas y descargas eléctricas, o fallos en la impresora.**
- Si el cable de alimentación sufre daños, póngase en contacto con su distribuidor de Citizen Systems.**
- No deje ningún objeto alrededor de la toma de corriente.
  - Suministre alimentación eléctrica a la impresora desde una toma de corriente próxima, fácilmente accesible en caso de emergencia.



◆ **El manejo incorrecto de la impresora puede provocar fallos, emisión de humo, incendio o descarga eléctrica.**

◆ **Una sobrecarga puede hacer que el cable de alimentación se recaliente, se incendie o se dispare el disyuntor.**



● No coloque el cable de alimentación cerca de un aparato de calefacción.

◆ **Si no se observan estas precauciones, podrían romperse los cables o el aislamiento, lo que podría causar fugas y descargas eléctricas, o fallos en la impresora.**

**Si el cable de alimentación sufre daños, póngase en contacto con su distribuidor de Citizen Systems.**







## ADVERTENCIA

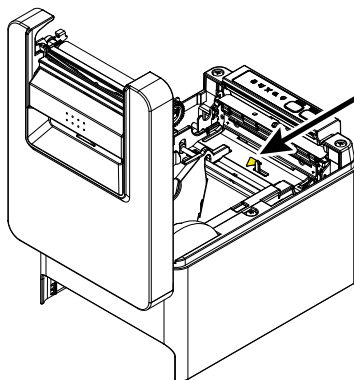
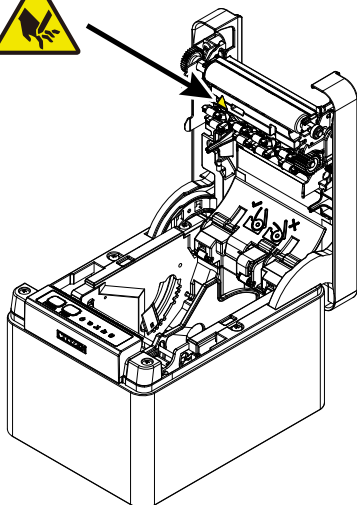
◆ **En caso de emergencia, tire del enchufe para apagarla inmediatamente.**

- Inserte completamente el enchufe de alimentación en la toma de corriente.
- Si no se va a utilizar la impresora durante un período de tiempo prolongado, déjela desconectada de la toma de corriente eléctrica.
- Sostenga el enchufe y el conector cuando enchufe o desenchufe el cordón de alimentación o el cable de señales después de apagar la impresora y el aparato conectado a esta.

## PRECAUCIÓN

Hay una etiqueta de precaución colocada en la posición que se indica en la imagen siguiente. Antes de utilizar la impresora, lea atentamente las precauciones de uso.

Estas etiquetas indican que el cabezal se calienta; de modo que si se toca, se pueden producir quemaduras, y si se toca la cizalla automática al abrir la tapa del papel, se pueden producir cortes en las manos.



**No transporte esta impresora con el rollo de papel en el interior.**

- Podrían producirse fallos o daños en la impresora.

**Para evitar fallos de funcionamiento tenga en cuenta lo siguiente:**

- No abra la tapa del papel mientras se está imprimiendo.
- Evite utilizar la impresora sin estar correctamente cargado el papel.
- Evite utilizar papel que no cumpla con las especificaciones.
  - ◆ **Puede resultar en una calidad de impresión inadecuada.**
- No utilice papel roto o empalmado con cinta adhesiva de plástico.
- Evite tirar con la mano del papel que ya está cargado.
- No utilice objetos puntiagudos para pulsar los botones.





## PRECAUCIÓN

■ **Asegúrese de insertar firmemente las clavijas del enchufe en las tomas correspondientes.**

- Una mala conexión puede dañar los componentes electrónicos internos o el hardware del ordenador al que está conectada.



■ **Utilice solamente la impresora con los dispositivos que tienen las especificaciones de solenoide descritas para el conector de interfaz del cajón portamonedas.**

- Si no se tiene en cuenta esta precaución se pueden producir fallos de funcionamiento de la impresora.

**Para impedir lesiones y fallos de funcionamiento tenga en cuenta lo siguiente:**

- No toque la superficie de impresión de la cabeza térmica.
  - No toque las piezas móviles (como, por ejemplo, la cizalla del papel, los engranajes o las piezas eléctricas con corriente) mientras la impresora está en funcionamiento.
  - En el caso de problemas no intente reparar la impresora. Solicite la reparación al centro de servicio de Citizen Systems.
  - Tenga cuidado para no pillarse las manos o los dedos con las tapas de la impresora.
  - Tenga cuidado con los bordes afilados de la impresora. Procure que no se produzcan lesiones personales o daños materiales.
- ◆ **Se puede producir descarga eléctrica, quemadura o lesión.**



Si la impresora emite humos u olores o ruidos extraños al imprimir, cancele inmediatamente la sesión de impresión en curso y desenchúfela de la toma de corriente.

## MANTENIMIENTO DIARIO

**Tome las precauciones siguientes para el mantenimiento diario:**

- Cuando vaya a limpiar la impresora, apáguela y desconéctela siempre de la toma de corriente.
- Con un paño suave y seco, elimine la suciedad y el polvo de la superficie de la carcasa.  
Si está muy sucia, límpiela con un paño de cocina humedecido con agua y bien escurrido.  
No utilice nunca disolventes orgánicos tales como diluyente, tricloroetileno, bencina, cetona, etc., ni paños tratados químicamente.
- Para retirar el polvo de papel, utilice una escobilla suave.



## PRECAUCIÓN

**La cabeza térmica estará muy caliente inmediatamente después de imprimir.  
Deje que se enfríe antes de iniciar las tareas de mantenimiento.**

# ÍNDICE

<b>1. NOCIONES GENERALES .....</b>	<b>375</b>
1.1 Características .....	375
1.2 Desembalaje .....	377
1.3 Clasificación del modelo .....	378
1.4 Especificaciones generales .....	378
<b>2. EXPLICACION DE LAS PARTES DE LA IMPRESORA .....</b>	<b>381</b>
2.1 Aspecto de la Impresora .....	381
2.2 Interior de la tapa del papel .....	384
2.3 Otras funciones integradas .....	386
<b>3. INSTALACIÓN .....</b>	<b>388</b>
3.1 Conexión del cable de alimentación de CA .....	388
3.2 Placa de interfaz serie .....	390
3.3 Interfaz USB .....	391
3.4 Placa de interfaz Bluetooth .....	392
3.5 Placa de interfaz del host USB Bluetooth .....	396
3.6 Ethernet (LAN)/Placa de interfaz de LAN inalámbrica .....	404
3.7 Placa de interfaz de host USB Lightning .....	412
3.8 Puerto de alimentación USB .....	418
3.9 Conexión del cajón portamonedas .....	420
3.10 Precauciones para la instalación de la impresora .....	422
3.11 Ajuste del sensor de papel casi agotado .....	423
3.12 Carga del papel .....	424
3.13 Separador de papel en rollo de 58 mm de anchura .....	427
3.14 Fijación de la tapa de los cables .....	429
3.15 Precauciones para la creación de aplicaciones y operaciones prácticas .....	430
3.16 Sitio de descarga de varios archivos electrónicos .....	430
<b>4. MANTENIMIENTO Y LOCALIZACION DE AVERIAS .....</b>	<b>431</b>
4.1 Limpieza periódica .....	431
4.2 Subsanan un error de cizalla .....	433
4.3 Cancelación de la detención de impresión causada por un atasco de papel .....	433
4.4 Autotest .....	435
4.5 Impresión de volcado hexadecimal .....	436

4.6	Indicaciones de error .....	437
4.7	Atascos de papel .....	440
4.8	Precauciones al realizar impresiones en las que cambia la velocidad de impresión .....	440
<b>5.</b>	<b>OTROS .....</b>	<b>441</b>
5.1	Vistas externas y dimensiones .....	441
5.2	Papel de Impresión .....	442
5.3	Ajuste manual de los interruptores de memoria .....	444

# 1. NOCIONES GENERALES

La impresora térmica por líneas serie CT-E601 ha sido diseñada para utilizarse con una amplia gama de equipos terminales, tales como terminales de datos, POS y de cocina.

Estas impresoras incorporan numerosas funciones, por lo que se pueden utilizar en una amplia variedad de aplicaciones.

## 1.1 Características

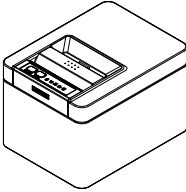
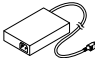
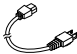
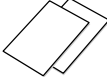
- Impresión a alta velocidad posible de hasta 350 mm/s
- Para el exterior se utiliza plástico con mezcla de iones de plata
- Diseño moderno
- Tamaño compacto con la altura más baja posible
- Soporte de anchuras de papel de 80 mm y 58 mm
- Empleo de cizalla de alta velocidad
- Incluye sensor de detención de impresión por atasco de papel
- Incluye función de alisado de papel
- Se incluye una interfaz USB de serie
- Equipada con un puerto de alimentación USB estándar
- Función de ahorro de energía (compatible con ENERGY STAR)
- Placa de interfaz intercambiable
- Función de impresión XML/Web incluida (modelo de LAN por cable o LAN inalámbrica)
- Función de host USB con capacidad para controlar los dispositivos periféricos incluidos (modelo de LAN por cable, Bluetooth o host USB Lightning)
- El modelo Lightning puede transmitir datos incluso durante la carga rápida de los dispositivos de Apple
- Indicación de estado y errores de la impresora mediante cinco pilotos LED
- Interfaz de cajón portamonedas integrada
- Disponibilidad de función de apagado por USB
- 16 niveles de escala de grises e impresión nítida
- Disponibilidad de funciones de ahorro de papel
- Compatible con los juegos de caracteres JIS X0213 Kanji de tercer y cuarto nivel
- Compatible con los juegos de caracteres de chino simplificado y tradicional y el juego de caracteres Hangul

- Compatibilidad con UTF-8 mediante comandos
- Posibilidad de varias personalizaciones mediante los interruptores de memoria
- Los caracteres y los logotipos creados por el usuario y se pueden guardar en la memoria de usuario
- Compatible con códigos de barras, incluidos los códigos de barras 2D
- Compatibilidad con comunicación Bluetooth y USB (Lightning) con certificación Apple MFi (modelo Bluetooth y modelo Lightning)



## 1.2 Desembalaje

Compruebe que los artículos siguientes se incluyen con la impresora.

NOMBRE	CANTI- DAD	ILUSTRACIÓN
Impresora	1	
Adaptador de CA (37AD5)	1	
Cable de alimentación de CA	1	
Guía de arranque rápido	2	

## 1.3 Clasificación del modelo

Los números de modelo indican funciones de la impresora según el sistema siguiente.

**CT - E601 RS E - BK**

1                      2                      3                      4

1: Nombre de modelo

2: Interfaz

RS: Serie RS-232C+USB

ET: Ethernet+USB

HET: Ethernet (función de host USB) + USB

BT: Bluetooth+USB

HBT: Bluetooth (función de host USB)

WF: LAN inalámbrica+Ethernet+USB

LT: Lightning (función de host USB) + USB

NN:USB

3: Mercado

U: Norteamérica

E: Europa

4: Color de la carcasa

WH: Blanco puro

BK: Negro

Póngase en contacto con nosotros por adelantado para combinaciones especiales, de las cuales algunas pueden no estar disponibles.

## 1.4 Especificaciones generales

Elemento	Especificaciones
Modelo	CT-E601
Método de impresión	Método de impresión térmica por líneas de puntos
Anchuras de impresión	72 mm/576 puntos, 68,25 mm/546 puntos, 64 mm/512 puntos, 52,5 mm/420 puntos, 48,75 mm/390 puntos, 48 mm/384 puntos, 45 mm/360 puntos, predeterminado de fábrica 72 mm
Densidad de punto	8 × 8 puntos/mm (203 ppp)

Elemento	Especificaciones			
Velocidad de impresión	350 mm/s (velocidad máxima, nivel de densidad de impresión 100%, 2800 líneas de puntos/s)			
Número de columnas de impresión *1	Fuente	Número máximo de caracteres (columnas) / 80 mm	Número máximo de caracteres (columnas) / 58 mm	Configuración de punto (puntos)
	Fuente A	48	35	12 x 24
	Fuente B	64	46	9 x 24
	Fuente C	72	52	8 x 16
Tamaño de caracteres *2	Fuente A:1,50 x 3,00 mm, Fuente B:1,13 x 3,00 mm, Fuente C:1,00 x 2,00 mm			
Tipo de caracteres	Caracteres alfanuméricos, caracteres internacionales, PC437/850/852/857/858/860/863/864/865/866, WPC1252, WPC1258, katakana, Thai código 11/18 (1Pass/3Pass), TCVN-3, Kanji (JIS primer, segundo, tercer y cuarto nivel), Kana, caracteres extendidos, JIS X0213, GB18030, BIG5, KS Hangul, EUC Hangul			
Memoria de usuario	384 KB (puede guardar logotipos y caracteres definidos por el usuario)			
Tipos de códigos de barras	UPC-A/E, JAN (EAN) 13 dígitos/8 dígitos, ITF, CODE39, CODE128, CODABAR (NW-7), CODE93, PDF417, Código QR, GS1-DataBar			
Separación entre líneas	4,25 mm (1/6 pulgada) (modificable mediante comandos)			
Rollo de papel	Papel en rollo: 80 mm x máx. ø83 mm Grosor del papel: 53 a 85 µm (diámetro interior del rollo de papel: 12 mm / diámetro exterior: 18 mm)			
Interfaz	Serie (estándar RS-232C), USB, Bluetooth + USB, LAN, LAN inalámbrica + LAN, LAN (función de host USB) (puerto USB 2)), Bluetooth (función de host USB) (puerto USB 2)), Lightning (función de host USB (puerto USB 3))			
Ethernet	100BASE-TX/10BASE-T			
LAN inalámbrica	IEEE802.11n, IEEE802.11a, IEEE802.11g, IEEE802.11b			
Bluetooth	Versión: Bluetooth 3.0 + EDR Perfil: SPP (Serial Port Protocol), iAP (iPod Accessory Protocol) Clase de potencia: Clase 2			
Bluetooth (función de host USB)	Versión: Bluetooth 4.2 + EDR Perfil: SPP (Serial Port Protocol), iAP2 (iPod Accessory Protocol) Clase de potencia: Clase 2			
Puerto de alimentación USB	Máx. 2,1 A			
Cajón portamonedas	Admite 2 cajones portamonedas			
Búfer de entrada	4 K bytes/45 bytes			
Tensión de alimentación	CC 24 V ±5%			
Consumo de energía	Aprox. 50 W (al imprimir), aprox. 1 W (en modo de espera), aprox. 0,3 W (con la alimentación apagada)			
Adaptador de CA (37AD5)	Entrada nominal: 100 a 240 V CA, 50/60 Hz, 150 VA Salida nominal: CC 24 V, 2,1 A			
Peso	Aproximadamente 1,2 kg			
Dimensiones externas	125 (An) x 165 (Pr) x 108 (Al) mm			
Temperatura y humedad de funcionamiento	5 a 45 °C, 10 a 90% HR (sin condensación)			
Temperatura y humedad de almacenamiento	-20 a 60 °C, 10 a 90% HR (sin condensación)			

Elemento	Especificaciones
Fiabilidad	Vida útil del cabezal de impresión: 200 km, 200 millones de impactos (temperatura ambiente, humedad ambiente, papel recomendado específico, grosor de papel específico), vida útil de la cizalla automática: 2 millones de cortes (3 pulgadas), 1,5 millón de cortes (2 pulgadas) (temperatura ambiente, humedad ambiente, papel recomendado específico, grosor de papel específico)
Normas de seguridad *3	UL, FCC Clase A, Marca CE

Notas:

\*1 El número de columnas que se puede imprimir se selecciona mediante un interruptor de memoria.

Los números de columnas que se indican en esta tabla hacen referencia a los modelos típicos. El número de columnas varía según las especificaciones.

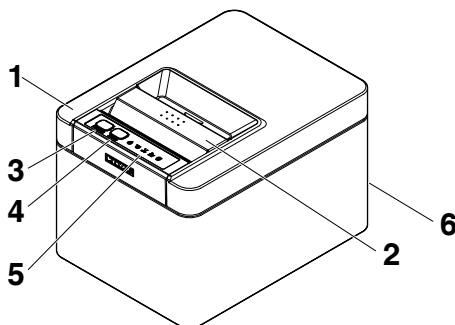
\*2 Los caracteres aparecen pequeños puesto que las dimensiones incluyen una zona en blanco alrededor de cada carácter.

\*3 Esta norma se aplica cuando se utiliza nuestro adaptador de CA (37AD5).

## 2. EXPLICACION DE LAS PARTES DE LA IMPRESORA

### 2.1 Aspecto de la Impresora

#### Nombre de las piezas



#### 1: Tapa del papel

Ábrala para cargar el papel.

Ábrala también para subsanar un error de cizalla.



**Consulte 4.2 Subsanar un error de cizalla**

#### 2: Palanca de apertura de la tapa

Use esta palanca para abrir la tapa del papel.

#### 3: Botón POWER

Mantenga pulsado este botón durante dos o tres segundos para conectar o desconectar la alimentación.

#### 4: Botón FEED

Pulse este botón para alimentar papel.

En caso de un error de la cizalla, pulse el botón FEED con la tapa del papel cerrada después de solucionar el problema.

La impresora entra en el modo de configuración de los interruptores de memoria y de ejecución del autotest.



**Consulte 4.4 Autotest**

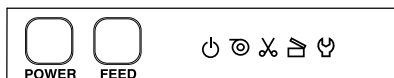


**Consulte 5.3 Ajuste manual de los interruptores de memoria**

5: Panel de operaciones

6: Conectores traseros

### Panel de operaciones



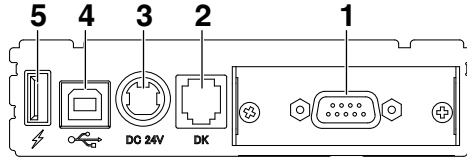
El panel de operaciones cuenta con cinco pilotos LED y dos botones.

	Nombre de LED	Color	Descripción
	POWER LED	Verde	Se ilumina cuando se conecta la alimentación, y se apaga cuando se desconecta la alimentación.
	PAPER LED	Verde	Se ilumina o parpadea cuando se detecta que no hay papel o se está agotando. También puede iluminarse o parpadear cuando se detectan otras anomalías.
	CUTTER LED	Verde	Parpadea cuando se detecta un error de la cizalla. También puede iluminarse o parpadear cuando se detectan otras anomalías.
	COVER LED	Verde	Se ilumina o parpadea cuando se detecta que la tapa del papel está abierta. También puede iluminarse o parpadear cuando se detectan otras anomalías.
	SERVICE LED	Naranja	Parpadea cuando se detecta una anomalía irreparable de la impresora.



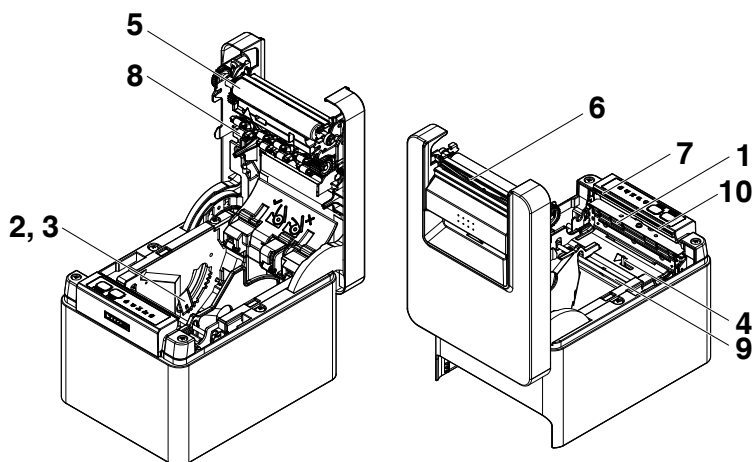
**Consulte 4.6 Indicaciones de error**

## Conectores traseros (ejemplo de interfaz serie)



- 1: Conector de interfaz (serie, USB, etc.)  
Conecta el cable de interfaz.
- 2: Conector del cajón portamonedas  
Conecta el cable del cajón portamonedas.
- 3: Conector de alimentación  
Conecta el cable adaptador de CA.
- 4: Conector USB
- 5: Puerto de alimentación USB  
Suministra energía a un dispositivo USB.

## 2.2 Interior de la tapa del papel



1: Cabezal de impresión (térmico)

Imprime datos de caracteres y gráficos en papel (rollos de papel).

2: Sensor de papel casi agotado (PNE)

Detecta cuando el rollo de papel está casi agotado. Ajuste la posición del sensor para determinar cuando detecta que queda poco hasta el final del rollo de papel.

3: Botón para cambiar el sensor de papel casi agotado

Cambie la posición del sensor de papel casi agotado para adaptarla al papel que esté utilizando.



**Consulte 3.11 Ajuste del sensor de papel casi agotado**

4: Sensor de papel agotado (PE)

Detecta cuando no queda papel. La impresión se detiene cuando este sensor detecta que no hay papel.

5: Rodillo

Hace avanzar el papel.

No retire el rodillo, excepto en casos de mantenimiento.

6: Cizalla automática

Corta el papel.



**Consulte 5.3 Ajuste manual de los interruptores de memoria**



7: Cizalla manual

Para cortar el papel manualmente cuando finaliza la impresión.

8: Rodillo de alisado de papel

Rodillo para reducir la deformación del papel.

9: Amortiguador de alisado de papel

Amortiguador para reducir la deformación del papel.

10: Sensor de atascos de papel

Sensor para detectar atascos de papel y detener la impresión.

<b>Notas</b>
El rodillo de alisado y el amortiguador de alisado no enderezan el papel completamente.

## 2.3 Otras funciones integradas

- Zumbador

Suena cuando se produce un error o cuando se realizan operaciones o se dan comandos.



**Consulte 4.6 Indicaciones de error**

- Memoria de usuario

En esta memoria se pueden guardar datos de caracteres o logotipos definidos por el usuario. Dichos datos quedan almacenados en la memoria aunque se apague la impresora. Para obtener información sobre cómo guardar datos, consulte la Referencia de comandos.

- Interruptor de memoria

La configuración de varios tipos de funciones se puede guardar en la memoria. Dicha configuración queda almacenada en la memoria aunque se apague la impresora.

- Apagado por USB (cuando MSW6-3 del interruptor de memoria está ajustado en ON)

Si la impresora está conectada a un PC por USB, la impresora entra en el estado de apagado por USB tras 3 segundos cuando el PC se apaga o se pierde la conexión USB.

Este modo se cancela cuando se conecta de nuevo el PC o cuando se establece una conexión USB.

### Notas

- Dado que el POWER LED se apaga cuando se establece el estado de apagado por USB, no se puede identificar desde el apagado de la alimentación.
- Al pulsar el botón POWER mientras se está en el estado de apagado por USB se enciende la alimentación normalmente.

- Funciones de ahorro de papel

Se pueden utilizar los interruptores de memoria MSW8-3 a MSW8-4 para configurar los ajustes siguientes, lo que permite ahorrar papel.

- Eliminación de margen superior

La impresora invierte el avance de papel antes de la impresión, lo que hace que se reduzca el espacio en blanco en el margen superior del papel.

Se puede especificar la distancia de avance inverso.

- Reducción del espacio entre líneas

Se comprime automáticamente la distancia del avance entre líneas. Se puede especificar la relación de compresión.



## PRECAUCIÓN

Retire el papel cortado parcialmente antes de realizar el avance inverso para comenzar la impresión.

El papel cortado puede arrancarse en el próximo proceso de impresión, lo que puede causar problemas.

### ● Desplazamiento lateral automático (MSW8-6)

Esta función disipa la carga térmica durante la generación frecuente de calor mediante una línea guiada en vertical u otro elemento específico de calentamiento del cabezal.

Si no se reciben datos en el transcurso de 15 segundos después de cada corte o impresión, la posición de impresión se desliza automáticamente N\* puntos hacia la derecha. Se vuelve a la posición de impresión original en el próximo cronometraje de deslizamiento.

\* N es el valor de ajuste de MSW8-6.

### Notas

- Si el margen derecho es demasiado estrecho, ello puede tener como resultado que se corten algunos caracteres de impresión.
- Esta función se deshabilita bajo los ajustes iniciales.
- Para habilitar esta función, utilice MSW8-6 para especificar un valor apropiado para la cantidad de deslizamiento máximo.

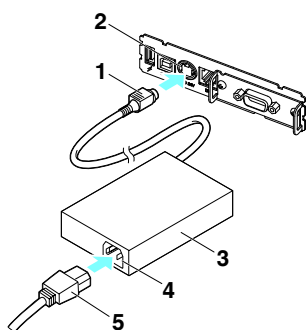
# 3. INSTALACIÓN

## 3.1 Conexión del cable de alimentación de CA

1. Desconecte la alimentación.

2. Conecte el conector de alimentación al conector de cable del adaptador de CA.

A continuación, conecte el cable de alimentación de CA a la toma de CA e inserte el enchufe a una toma de corriente eléctrica.



- 1. Conector de cable
- 2. Conector de alimentación
- 3. Adaptador de CA
- 4. Toma de CA
- 5. Cable de alimentación de CA



## PRECAUCIÓN

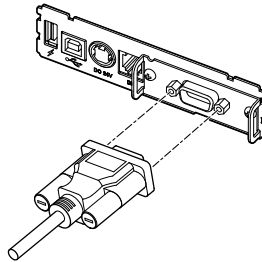
- Utilice solamente el adaptador de CA especificado.
- Sujete siempre el conector de cable del adaptador de CA por el conector cuando lo retire o lo inserte.
- Utilice una fuente de alimentación de CA que no alimente a su vez a equipos que generen ruido electromagnético.
- Si tira del cable de alimentación de CA, podría dañarlo, producir un incendio, una descarga eléctrica o la rotura de un hilo del cable.
- Cuando se aproxime una tormenta eléctrica, desenchufe el cable de alimentación de CA de la toma de corriente eléctrica. Un rayo podría ocasionar un incendio o una descarga eléctrica.
- Mantenga el cable de alimentación de CA alejado de los aparatos generadores de calor. El aislamiento del cable de alimentación de CA podría derretirse y ocasionar un incendio o una descarga eléctrica.
- Si no se va a utilizar la impresora durante un periodo prolongado de tiempo, desenchufe el cable de alimentación de CA de la toma de corriente eléctrica.
- Sitúe el cable de alimentación de CA de forma que nadie se tropiece con él.

## 3.2 Placa de interfaz serie

Los datos pueden intercambiarse mediante comunicación serie.

### Conexión del cable de interfaz

1. Desconecte la alimentación.
2. Confirme la orientación del cable de interfaz y conéctelo al puerto.



3. Inserte el otro conector firmemente en la interfaz de datos del ordenador host.



### PRECAUCIÓN

- Cuando desconecte el cable, sujételo siempre por el conector.
- Sitúe el cable de interfaz de forma que nadie se tropiece con él.

### Notas

No conecte varias interfaces simultáneamente.

Utilice un cable de interfaz serie con el siguiente esquema de conexiones.

### Cable de 9 pines (hembra) – 9 pines (hembra)

PC			Impresora	
Señal	Pin		Pin	Señal
RXD	2	↔	2	RXD
TXD	3	↔	3	TXD
DTR	4	↔	4	DTR
SG	5	↔	5	SG
DSR	6	↔	6	DSR
RTS	7	↔	7	RTS
CTS	8	↔	8	CTS

## 3.3 Interfaz USB

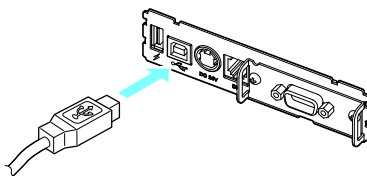
Los datos pueden intercambiarse mediante comunicación USB.

### Especificaciones

Estándar	Compatible con la especificación USB 2.0
Velocidad de comunicación	Compatible con la transferencia de 12 Mbps (Velocidad completa)

### Conexión del cable de interfaz

1. **Desconecte la alimentación.**
2. **Confirme la orientación del cable de interfaz y conéctelo al puerto.**



3. **Inserte el otro conector firmemente en la interfaz de datos del ordenador host.**



### PRECAUCIÓN

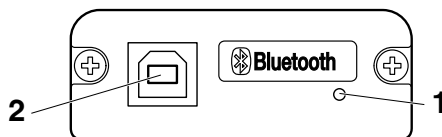
- Cuando desconecte el cable, sujételo siempre por el conector.
- Sitúe el cable de interfaz de forma que nadie se tropiece con él.
- Tenga cuidado de no insertar el cable USB en el conector del cajón portamonedas.

### Notas

- No conecte varias interfaces simultáneamente.
- Para conectar más de una impresora a un solo ordenador a través de USB, debe cambiar el número de serie de la interfaz USB.
- Hay modelos con un puerto USB en el lado de la placa de interfaz.  
Con ese modelo, no conecte los cables USB tanto al lado de la unidad principal de la impresora como al lado de la placa de interfaz.  
Si los cables USB se conectan a ambos lados, se dará prioridad a la comunicación del cable conectado al puerto del lado de la unidad principal.

## 3.4 Placa de interfaz Bluetooth

### Nombre de las piezas



#### 1. Estado LED

Este LED indica el estado de comunicación/conexión/error de Bluetooth.

#### 2. Conector USB

Los datos pueden intercambiarse mediante comunicación USB.

### Notas

Cuando utilice esta placa de interfaz como interfaz USB, no conecte los cables USB al lado de la unidad principal y también al lado de la placa de la interfaz.

Si los cables USB se conectan a ambos lados, se dará prioridad a la comunicación del cable conectado al conector del lado de la unidad principal.

### LED de estado Bluetooth

Estado	Descripción	Estado del LED
Detección en espera (Detectable)	A la espera de detección y conexión	
Conexión en espera (Conectable)	A la espera de conexión	
Conexión iOS	Sesión de datos no abierta	
Comunicando	iOS: sesión de datos abierta Otro OS: conexión establecida y comunicación en curso	
Error	Error o ajustes en proceso de configuración	No iluminado



## **Operación de emparejamiento**

Para realizar una comunicación de datos vía Bluetooth debe realizar las operaciones siguientes la primera vez que establece una conexión Bluetooth.

1. Detectar dispositivos Bluetooth
2. Configurar los ajustes de emparejamiento

### **1: Detección de dispositivos Bluetooth**

Antes de realizar la búsqueda de dispositivos Bluetooth, compruebe que la función Bluetooth está activada en el PC host.

Este producto aparecerá como "CT-E601\_XX" (XX corresponde a los 2 últimos dígitos de la dirección BD única) cuando se detecte.

Seleccione este producto entre los dispositivos detectados.

Nota: puede buscar dispositivos y modificar sus nombres.

Cuando el interruptor de memoria MSW13-5 está ajustado en "No Response", la detección de dispositivos no mostrará nada.

Puede ajustar este valor temporalmente en detección de dispositivo (modo de detección)

abriendo la tapa del papel y pulsando prolongadamente el botón FEED durante dos

segundos. El modo de detección se abandona cuando finaliza la conexión con el PC host.

### **2: Configuración de los ajustes de emparejamiento**

Normalmente, cuando se selecciona la impresora durante la detección de dispositivos, se pasa directamente a los ajustes de emparejamiento.

<b>Notas</b>
Es posible que con algunas configuraciones y modelos de PC no se pase directamente a los ajustes de emparejamiento una vez seleccionada la impresora durante la detección de dispositivos.

La operación necesaria para configurar los ajustes de emparejamiento depende de si SSP (emparejamiento sencillo seguro) está activado en el PC host.

Si SSP está activado en el PC host, el emparejamiento se puede realizar sin más operaciones.

Si SSP está desactivado en el PC host, se le pedirá que introduzca una clave de acceso.

Introduzca la clave de acceso como se indica a continuación.

## Clave de acceso

Últimos cuatro dígitos de la dirección impresa en el autodiagnóstico (Las letras de la A a la F son en mayúsculas)

Ejemplo: si la dirección es 01:23:45:67:89:AB, la clave de acceso es 89AB.

Si elimina los datos de emparejamiento del PC host sin eliminar los datos de emparejamiento correspondientes en la impresora, es posible que la impresora no aparezca la próxima vez que realice una detección de dispositivos con el PC host. Para eliminar los datos de emparejamiento de la impresora, abra la tapa del papel y pulse prolongadamente el botón FEED durante cinco segundos.

Al eliminar los datos de emparejamiento de la impresora, ésta pasa a modo detectable.

## Reconexión automática

Con la comunicación Bluetooth de dispositivos iOS, la conexión entre un dispositivo iOS y la impresora no se restablece automáticamente después que se haya perdido. Sin embargo, si la reconexión automática está activada, la impresora intenta conectarse de nuevo a un dispositivo iOS cuando se activa la comunicación bidireccional y restablece la comunicación de forma automática.

### Notas

■ **Esta función está activada al salir de fábrica. (MSW13-6)**

**La reconexión automática puede tardar algún tiempo si el host no es un dispositivo iOS.**

■ Aunque el dispositivo asociado sea un dispositivo iOS, las circunstancias siguientes pueden interferir con la función de reconexión automática.

- **Cuando desea que la comunicación Bluetooth se corte una vez finalizada la impresión**
- **Cuando hay varios dispositivos iOS imprimiendo en la misma impresora**

En dichas circunstancias, desactive la reconexión automática.

## Activación y desactivación de la reconexión automática

Durante el autotest, pulse el botón FEED 3 veces -> Reconexión automática = Válida

Durante el autotest, pulse el botón FEED 4 veces -> Reconexión automática = No válida

Al final del autodiagnóstico, la configuración nueva se imprimirá como Reconexión

automática [Valid] o [Invalid].



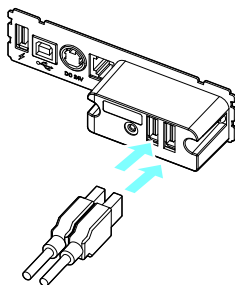
**Consulte 4.4 Autotest**

## 3.5 Placa de interfaz del host USB Bluetooth

Además del control de la impresora mediante comunicación Bluetooth, las interfaces de host USB Bluetooth pueden controlar dispositivos periféricos conectados a través de un puerto USB.

### Conexión de un dispositivo periférico

1. **Desconecte la alimentación.**
2. **Conecte el cable de un dispositivo periférico a este puerto.**



### **Notas**

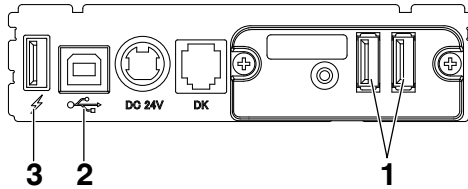
Un dispositivo periférico no se puede controlar si está conectado al puerto de alimentación USB.

Asegúrese de conectarlo al puerto USB de la placa de interfaz.

## **Conexión de un dispositivo USB**

La función asignada a cada puerto USB es diferente.

Conecte el dispositivo USB que se va a conectar al lugar correcto en referencia a la siguiente figura.



1: Para el control de periféricos

Conecte un dispositivo periférico.

Se puede controlar el dispositivo periférico conectado.

2: Para la comunicación con el ordenador host

Conéctese con un ordenador host.

La impresora y el ordenador host se comunicarán a través de USB.



**Consulte 3.3 Interfaz USB**

3: Para la alimentación

Conecte un dispositivo móvil u otro dispositivo USB.

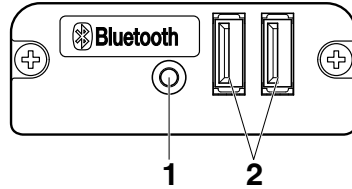
La alimentación se puede suministrar a un dispositivo USB conectado.

\* Este puerto no es compatible con la comunicación de datos USB.



**Consulte 3.8 Puerto de alimentación USB**

## Nombre de las piezas



1: Botón del panel

Controle esta placa de interfaz.

2: Puerto USB 2

Conecte un dispositivo periférico.

### **Notas**

- Conecte al puerto USB únicamente los dispositivos periféricos especificados por nuestra compañía.
- Conecte y desconecte los dispositivos periféricos únicamente cuando la impresora esté apagada.

## Operación de emparejamiento

Para realizar una comunicación de datos vía Bluetooth debe realizar las operaciones siguientes la primera vez que establece una conexión Bluetooth.

1. Detectar dispositivos Bluetooth
2. Configurar los ajustes de emparejamiento

### **1: Detección de dispositivos Bluetooth**

Antes de realizar la búsqueda de dispositivos Bluetooth, compruebe que la función Bluetooth está activada en el PC host.

Este producto aparecerá como "CT-E601\_XX" (XX corresponde a los 2 últimos dígitos de la dirección BD única) cuando se detecte.

Seleccione este producto entre los dispositivos detectados.

Nota: puede buscar dispositivos y modificar sus nombres.

Cuando el interruptor de memoria MSW13-5 está ajustado en "No Response", la detección de dispositivos no mostrará nada.

Con estos ajustes, si mantiene pulsado el botón del panel durante al menos tres segundos y luego lo pulsa dos veces más, el producto se coloca temporalmente en un estado en el que se encontrará durante la búsqueda de dispositivos (modo de detección).

El modo de detección se cancela cuando el producto se conecta a un PC host.

## 2: Configuración de los ajustes de emparejamiento

Normalmente, cuando se selecciona la impresora durante la detección de dispositivos, se pasa directamente a los ajustes de emparejamiento.

Notas
Es posible que con algunas configuraciones y modelos de PC no se pase directamente a los ajustes de emparejamiento una vez seleccionada la impresora durante la detección de dispositivos.

La operación necesaria para configurar los ajustes de emparejamiento depende de si SSP (emparejamiento sencillo seguro) está activado en el PC host.

Si SSP está activado en el PC host, el emparejamiento se puede realizar sin más operaciones.

Si SSP está desactivado en el PC host, se le pedirá que introduzca una clave de acceso.

Introduzca la clave de acceso como se indica a continuación.

Clave de acceso

Últimos cuatro dígitos de la dirección impresa en el autodiagnóstico (Las letras de la A a la F son en mayúsculas)

Ejemplo: si la dirección es 01:23:45:67:89:AB, la clave de acceso es 89AB.

Si elimina los datos de emparejamiento del PC host sin eliminar los datos de emparejamiento correspondientes en la impresora, es posible que la impresora no aparezca la próxima vez que realice una detección de dispositivos con el PC host.

Cuando elimine la información de emparejamiento, pulse y mantenga pulsado el botón del panel durante al menos tres segundos y, cuando suene el zumbador, púselo cuatro veces más.

Si tiene éxito, se imprime "Erase Bonded Device" (Borrar dispositivo vinculado).

Al eliminar los datos de emparejamiento de la impresora, ésta pasa a modo detectable.

### **Reconexión automática**

Con la comunicación Bluetooth de dispositivos iOS, la conexión entre un dispositivo iOS y la impresora no se restablece automáticamente después que se haya perdido.

Sin embargo, si la reconexión automática está activada, la impresora intenta conectarse de nuevo a un dispositivo iOS cuando se activa la comunicación bidireccional y restablece la comunicación de forma automática.

## Notas

■ **Esta función está activada al salir de fábrica. (MSW13-6)**

**La reconexión automática puede tardar algún tiempo si el host no es un dispositivo iOS.**

■ Aunque el dispositivo asociado sea un dispositivo iOS, las circunstancias siguientes pueden interferir con la función de reconexión automática.

- **Cuando desea que la comunicación Bluetooth se corte una vez finalizada la impresión**
- **Cuando hay varios dispositivos iOS imprimiendo en la misma impresora**

En dichas circunstancias, desactive la reconexión automática.



### **Activación y desactivación de la reconexión automática**

Durante el autotest, pulse el botón FEED 3 veces -> Reconexión automática = Válida

Durante el autotest, pulse el botón FEED 4 veces -> Reconexión automática = No válida

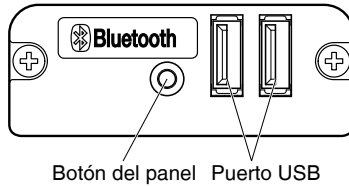
Al final del autodiagnóstico, la configuración nueva se imprimirá como Reconexión automática [Valid] o [Invalid].



**Consulte 4.4 Autotest**

## **Funcionamiento del botón del panel**

Utilice el botón del panel en la parte posterior de la placa Bluetooth para controlar esta placa.



- **Ajustes de búsqueda de dispositivos BT (MSW13-5)**

1. Pulse y mantenga pulsado el botón del panel para encender la impresora.
2. Pulse el botón del panel antes de que transcurra un segundo tras encender la impresora.

Este ajuste cambia de acuerdo con el número de veces que pulsa el botón del panel.

Dos pulsaciones: Detección posible

Tres pulsaciones: Sin respuesta

Tras estas operaciones se reinicia la impresora.

- **Imprimir el estado de la placa de interfaz**

Tras iniciar la impresora, al pulsar una vez el botón del panel se imprime el estado de la placa de interfaz.

```
Bluetooth Board Information

Boot.      Xxxxx }
FW Ver.    Xxxxxx } 1
BT Ver.    Xxxxx }

--Printer state--
Manuf: CITIZEN SYSTEMS
Model: CT-E601
BD Addr: 11:22:33:44:55:66 ← 2
BD Name: CT-E601_XX ← 3
Profile: SPP/iAP2 ← 4

Bluetooth Set info. ← 5
Paired      : Enable
Discoverable: Enable
Reconnect   : Disable

USB Device Info. ← 6
USB1: Barcode scanner
USB2: Customer Display

BOARD STATE: Waiting Connect ← 7
```

### Ejemplo de impresión

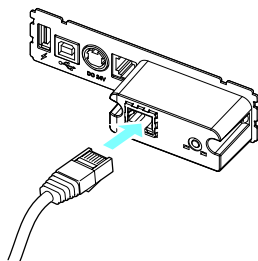
1. Versión de firmware de la placa
2. Dirección del módulo equipado con Bluetooth
3. Nombre de Bluetooth
4. Perfil de respuesta en la transmisión Bluetooth
5. Estado de ajuste de Bluetooth
6. Nombre del dispositivo USB conectado (se muestra "No connection" (Sin conexión) cuando no hay ninguna conexión)
7. Estado de la placa

## 3.6 Ethernet (LAN)/Placa de interfaz de LAN inalámbrica

En esta sección se ofrece una descripción general de la placa de interfaz. Para obtener más información sobre esta placa, incluidas las explicaciones sobre la función de host USB y la compatibilidad con dispositivos periféricos XML, consulte el manual por separado.

### Conexión del cable de interfaz

1. **Desconecte la alimentación.**
2. **Confirme la orientación del cable de interfaz y conéctelo al puerto.**



3. **Conecte el otro conector a un concentrador, router o dispositivo similar.**



### **PRECAUCIÓN**

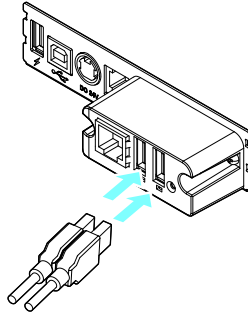
- Cuando desconecte el cable, sujételo siempre por el conector.
- Sitúe el cable de interfaz de forma que nadie se tropiece con él.
- Sujete el conector del cable LAN recto y perpendicular cuando lo conecte y lo desconecte. Si lo sujeta ladeado, podría producirse un fallo de conexión en el conector.

### **Notas**

No conecte varias interfaces simultáneamente.

## **Conexión de un dispositivo periférico**

1. **Desconecte la alimentación.**
2. **Conecte el cable de un dispositivo periférico a este puerto.**



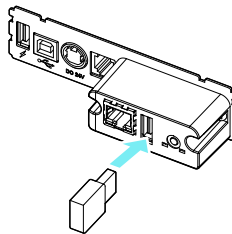
### **Notas**

Un dispositivo periférico no se puede controlar si está conectado al puerto de alimentación USB.

Asegúrese de conectarlo al puerto USB de la placa de interfaz.

## **Conexión del adaptador de LAN inalámbrica**

1. **Desconecte la alimentación.**
2. **Conecte el adaptador de LAN inalámbrica al conector.**



### **Notas**

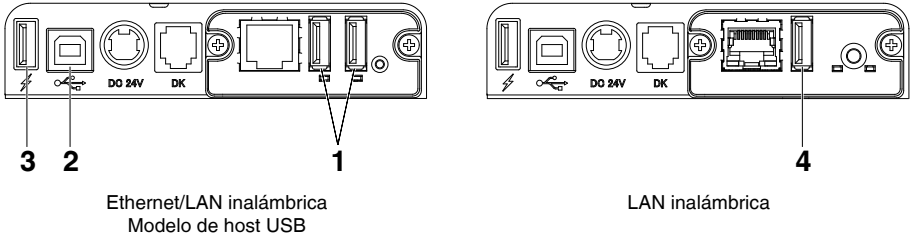
La LAN inalámbrica no se puede utilizar si se conecta al conector de alimentación USB.

Asegúrese de conectarlo al conector USB de la placa de interfaz.

## Conexión de un dispositivo USB

La función asignada a cada puerto USB es diferente.

Conecte el dispositivo USB que se va a conectar al lugar correcto en referencia a la siguiente figura.



1: Para el control de los dispositivos periféricos y la conexión del adaptador de LAN inalámbrica

Permite conectar los dispositivos periféricos y el adaptador de LAN inalámbrica. Puede conectarse al puerto USB izquierdo o al derecho.

Incluso cuando hay un adaptador de LAN inalámbrica conectado, se pueden conectar dispositivos periféricos a los puertos disponibles.

2: Para la comunicación con el ordenador host

Conéctese con un ordenador host.

La impresora y el ordenador host se comunicarán a través de USB.



**Consulte 3.3 Interfaz USB**

3: Para la alimentación

Conecte un dispositivo móvil u otro dispositivo USB.

La alimentación se puede suministrar a un dispositivo USB conectado.

\* Este puerto no es compatible con la comunicación de datos USB.



**Consulte 3.8 Puerto de alimentación USB**

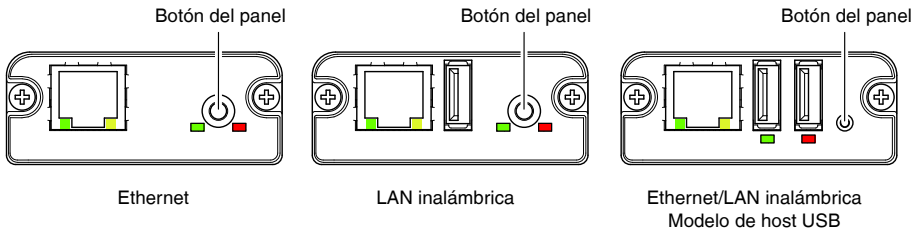
4: Para conexión de adaptador de LAN inalámbrica

Conecte un adaptador de LAN inalámbrica.

Es necesario conectar un adaptador de LAN inalámbrica para poder establecer la comunicación por LAN inalámbrica.

## **Funcionamiento del botón del panel**

Las operaciones de la placa se realizan mediante el botón del panel en la parte posterior de la placa de LAN.



- **Habilitación de la conexión LAN**

Encienda la impresora. La placa empezará a funcionar al cabo de unos 20 segundos.

- **Impresión de la información de la configuración de LAN**

Pulse el botón del panel.

- **Entrar en el modo de configuración**

Pulse prolongadamente el botón del panel. Sonará un zumbador una vez para indicar que ha entrado en el modo de configuración.

- Puede utilizar el modo de configuración para leer los ajustes de fábrica.
- Si no se realiza ninguna operación durante 3 segundos en el modo de configuración, el modo vuelve al modo normal.

- **Restablecimiento de los ajustes de fábrica**

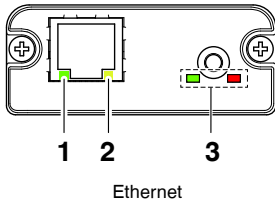
Entre en el modo de configuración de la placa y pulse prolongadamente el botón del panel. Se restablecerán los ajustes de fábrica de la placa.

### **Notas**

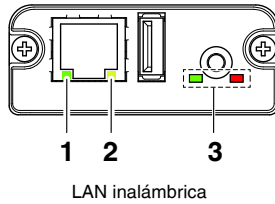
La placa se reiniciará automáticamente una vez realizada esta operación. Tras borrar la configuración, deberá volver a configurar los ajustes de red.

## Funciones de los LED

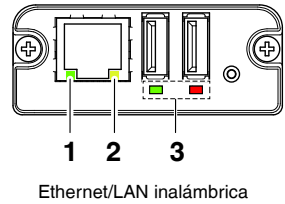
En las tablas siguientes se describe cómo interpretar las indicaciones de los LED.



Ethernet



LAN inalámbrica



Ethernet/LAN inalámbrica  
Modelo de host USB

1: Velocidad de transmisión de LAN con cable

Velocidad de transmisión	LED (verde)
100 Mbps	Iluminado
10 Mbps/No conectada	No iluminado

2: Estado de conexión/transmisión de LAN con cable

Estado de la conexión	LED (amarillo)
Conectada	Iluminado
No conectada	No iluminado
Transmisión de datos en curso	Parpadeante

3: Estado de la LAN con cable /inalámbrica

Estado de la conexión		LED (verde)	LED (rojo)	Descripción
No hay ninguna impresora conectada		No iluminado	—	La placa no está conectada a una impresora.
Conexión de impresora	No hay conexión de red	Iluminado	No iluminado	La placa está conectada a una impresora.
	Conectada mediante LAN con cable	Iluminado	Parpadeante (ciclo de 1 segundo)	Obteniendo dirección IP del servidor DHCP a través de LAN con cable.
	Funcionamiento a través de LAN con cable	Iluminado	Iluminado	Funcionamiento en red en curso a través de LAN con cable.
	Conectada mediante LAN inalámbrica *	Parpadeante (ciclo de 2 segundo)	Parpadeante (ciclo de 1 segundo)	Conectando a un punto de acceso u obteniendo dirección IP del servidor DHCP a través de LAN inalámbrica.
	Funcionamiento a través de LAN inalámbrica *	Parpadeante (ciclo de 2 segundo)	Iluminado	Funcionamiento en red en curso a través de LAN inalámbrica.
Error de recurso		Parpadeo alternado (ciclo de 1 segundo)		La placa no puede funcionar con normalidad.



Estado de la conexión	LED (verde)	LED (rojo)	Descripción
Error de sistema		Parpadeo alternado (ciclo de 0,2 segundo)	La placa no puede funcionar con normalidad.

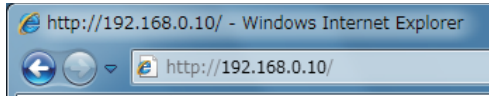
\* Solamente cuando se utilice la LAN inalámbrica

## **Administrador Web**

La placa de interfaz tiene una función de Administrador Web que se puede usar para conectar con la placa mediante un navegador Web y cambiar la configuración de la placa.

### **Inicio del Administrador Web**

1. Abra un navegador Web.
2. En el campo de dirección, escriba la dirección IP de la placa y luego pulse [Intro].



### **Pantalla HOME**

Ésta es la pantalla de inicio del administrador Web.

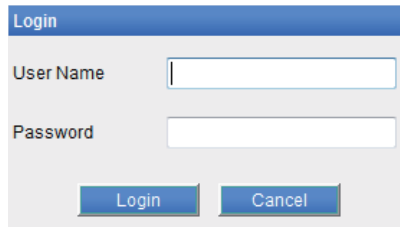
La siguiente pantalla es un ejemplo de LAN inalámbrica.



Pulse aquí el botón [CONFIG].

## Pantalla CONFIG

Mostrará el cuadro de diálogo de Inicio de sesión que aparece a continuación. Inicie sesión como administrador y, a continuación, configure los ajustes de la placa de interfaz.

A screenshot of a 'Login' dialog box. The title bar is blue with the word 'Login' in white. Below the title bar, there are two text input fields. The first is labeled 'User Name' and the second is labeled 'Password'. At the bottom of the dialog box, there are two buttons: 'Login' and 'Cancel', both with blue backgrounds and white text.

- User Name  
Escriba un nombre de usuario administrador de la placa. (Valor inicial: admin)
- Password  
Escriba la contraseña del usuario administrador de la placa. (Valor inicial: admin)
- Botón [Login]  
Una vez escrito el nombre y la contraseña de un usuario administrador, haga clic en el botón [Login]. Aparecerá la pantalla de ajustes.  
Para obtener más información acerca de los ajustes, consulte el manual por separado.

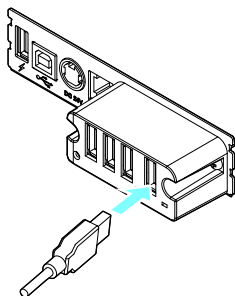
## 3.7 Placa de interfaz de host USB Lightning

Además del control de la impresora mediante comunicación USB (Lightning), las interfaces de host USB Lightning pueden controlar dispositivos periféricos conectados a través de un puerto USB.

Para los productos de Apple con un conector USB Tipo-C, como el iPad Pro, es posible utilizar la misma función mediante el uso de un cable USB Tipo-A - Tipo-C.

### Conexión del cable de interfaz

1. Desconecte la alimentación.
2. Confirme la orientación del cable de interfaz y conéctelo al puerto.



3. Conecte el otro conector al conector de interfaz de un dispositivo de Apple.



### **PRECAUCIÓN**

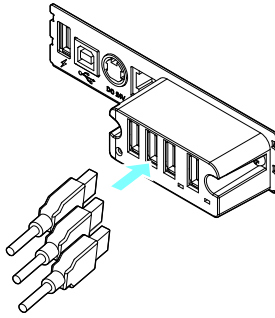
- Cuando desconecte el cable, sujételo siempre por el conector.
- Sitúe el cable de interfaz de forma que nadie se tropiece con él.
- Sujete el conector del cable LAN recto y perpendicular cuando lo conecte y lo desconecte. Si lo sujeta ladeado, podría producirse un fallo de conexión en el conector.

### **Notas**

No conecte varias interfaces simultáneamente.

## Conexión de un dispositivo periférico

1. Desconecte la alimentación.
2. Conecte el cable de un dispositivo periférico a este puerto.

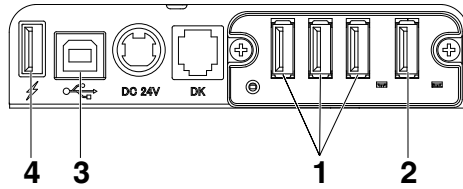


### **Notas**

Un dispositivo periférico no se puede controlar si está conectado al puerto de alimentación USB.

Asegúrese de conectarlo al puerto USB de la placa de interfaz.

## Conexión de un dispositivo USB



### 1: Para el control de periféricos

Conecte un dispositivo periférico.

Se puede controlar el dispositivo periférico conectado.

### 2: Para la conexión de un dispositivo de Apple

Conecte con un dispositivo de Apple.

La impresora y el dispositivo de Apple se comunicarán mediante el cable Lightning.

También se puede realizar la carga rápida del dispositivo de Apple.

### 3: Para la comunicación con el ordenador host

Conéctese con un ordenador host.

La impresora y el ordenador host se comunicarán a través de USB.



**Consulte 3.3 Interfaz USB**

### 4: Para la alimentación

Conecte un dispositivo móvil u otro dispositivo USB.

La alimentación se puede suministrar a un dispositivo USB conectado.

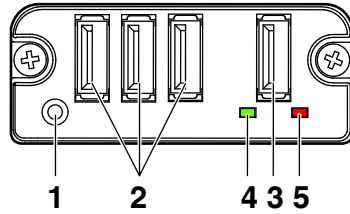
\* Este puerto no es compatible con la comunicación de datos USB.

El modelo Lightning no tiene una función de suministro de alimentación.



**Consulte 3.8 Puerto de alimentación USB**

## Nombre de las piezas



1: Botón del panel

Controle esta placa de interfaz.

2: Puerto USB para la conexión de un dispositivo periférico (3 puertos)

Conecte un dispositivo periférico.

3: Puerto USB para la conexión de un dispositivo de Apple (1 puerto)

Conecte un dispositivo de Apple.

Se pueden transmitir datos incluso durante la carga rápida de los dispositivos de Apple.

4: LED verde

Este LED indica el estado de la comunicación con la impresora.

5: LED rojo

Este LED indica el estado de la conexión con un dispositivo de Apple.

### **Notas**

- Conecte al puerto USB únicamente los dispositivos periféricos especificados por nuestra compañía.
- Conecte y desconecte los dispositivos periféricos únicamente cuando la impresora esté apagada.
- Esta placa comenzará a funcionar unos 30 segundos después de conectar la alimentación.
- Utilice un cable con certificación MFi para la conexión con un dispositivo de Apple.

## **Funcionamiento del botón del panel**

Utilice el botón del panel en la parte posterior de la placa Lightning para controlar esta placa.

### 1: Imprimir el estado de la placa de interfaz

Tras iniciar la impresora, al pulsar una vez el botón del panel se imprime el estado de la placa de interfaz.

```
I/F Board
Information

System Information
Board Name : IF2-LT01
Boot Version : BOT-000.000
Firm Version : FB00-0000 (2020/05/27)

Printer Status
Manufacture : CITIZEN SYSTEMS
Model : CT-E601
Serial Number : 987654321012

Accessory Identification
Name : CT-E601
Firmware Ver. : 1.0.0
Hardware Ver. : 1.0.0

Peripheral Status
Stream #1
  Status : Ready
  Type : ttyUSB (V:067b, P:2303)
  Specify : Enable (V:067b, P:2303)
Stream #2
  Status : Ready
  Type : ttyACM (V:24ea, P:0187)
  Specify : Disable
Stream #3
  Status : Offline
  Type : ttyUSB
  Specify : Disable
```

1. Información del sistema de esta placa de interfaz
2. Información de la impresora conectada a esta placa de interfaz
3. Información de identificación de esta placa de interfaz
4. Información de conexión del dispositivo periférico



## **Funciones de los LED**

En las tablas siguientes se describe cómo interpretar las indicaciones de los LED.

### **1: Estado de la comunicación con la impresora**

<b>Comunicando</b>	<b>LED (verde)</b>
No conectada	No iluminado
Conectada	Iluminado
Comunicación en curso	Parpadeante

### **2: Estado de la conexión con un dispositivo de Apple**

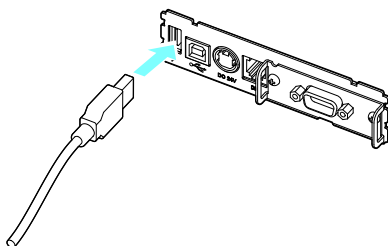
<b>Comunicando</b>	<b>LED (rojo)</b>
No conectada	No iluminado
Conectada	Iluminado
Error de la comunicación	Parpadeante (ciclo de 1 segundo)
Error de la placa de interfaz	Parpadeante (ciclo de 0,2 segundo)

## 3.8 Puerto de alimentación USB

La alimentación (máx. 2,1 A) se puede suministrar a un dispositivo móvil u otro dispositivo USB conectando el cable del dispositivo USB al puerto de alimentación.

### Conexión de un dispositivo móvil u otro dispositivo

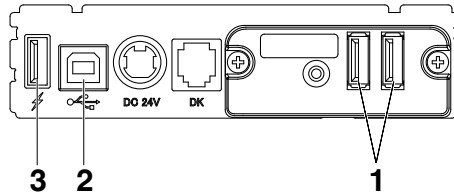
1. **Desconecte la alimentación.**
2. **Conecte el cable de un dispositivo móvil u otro dispositivo al puerto de alimentación USB.**



## **Conexión de un dispositivo USB**

La función asignada a cada puerto USB es diferente.

Conecte el dispositivo USB que se va a conectar al lugar correcto en referencia a la siguiente figura.



1: Para el control de periféricos

Conecte un dispositivo periférico.

Se puede controlar el dispositivo periférico conectado.

2: Para la comunicación con el ordenador host

Conéctese con un ordenador host.

La impresora y el ordenador host se comunicarán a través de USB.



**Consulte 3.3 Interfaz USB**

3: Para la alimentación

Conecte un dispositivo móvil u otro dispositivo USB.

La alimentación se puede suministrar a un dispositivo USB conectado.

\* Este puerto no es compatible con la comunicación de datos USB.



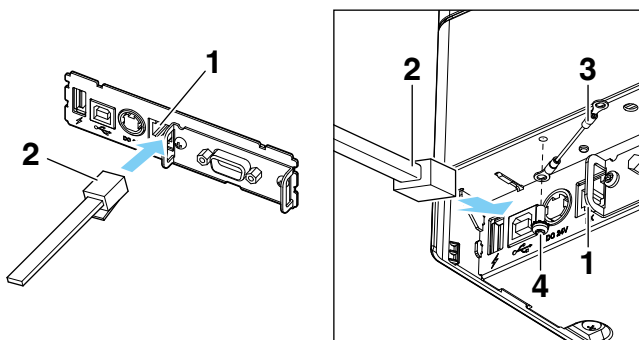
**Consulte 3.8 Puerto de alimentación USB**

### **Notas**

- Este puerto no es compatible con la comunicación de datos USB.
- Es posible que no se pueda suministrar energía dependiendo del dispositivo USB que se vaya a utilizar.  
En este caso, utilice el adaptador de CA o el cargador de baterías del dispositivo.
- Este producto no incluye un cable USB para la alimentación eléctrica.  
Utilice un cable USB disponible en el mercado o el que se suministra con el dispositivo USB.
- El modelo Lightning no tiene una función de suministro de alimentación.

## 3.9 Conexión del cajón portamonedas

1. Desconecte la alimentación.
2. Compruebe la orientación del conector del cable del cajón portamonedas y conéctelo al conector del cajón portamonedas en la parte trasera de la impresora.
3. Extraiga el tornillo del cable de puesta a tierra.
4. Atornille el cable de puesta a tierra del cajón portamonedas al cuerpo de la impresora.



1. Conector del cajón portamonedas
2. Conector del cable del cajón portamonedas
3. Cable de puesta a tierra
4. Tornillo del cable de puesta a tierra



### PRECAUCIÓN

- Conecte únicamente el conector del cable del cajón portamonedas a este conector. (No conecte un cable de línea telefónica).
- Sujete el conector del cable del cajón recto y perpendicular cuando lo conecte y lo desconecte. Si lo sujeta ladeado, podría producirse un fallo de conexión en el conector.

#### Notas

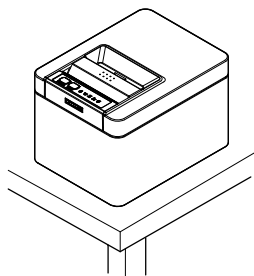
Las señales no pueden salir por el conector del cajón portamonedas mientras se está imprimiendo.

(1) Configuración de pines del conector

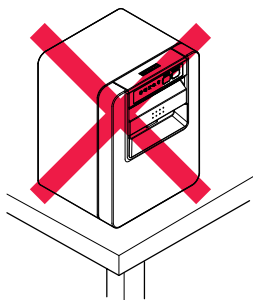


## 3.10 Precauciones para la instalación de la impresora

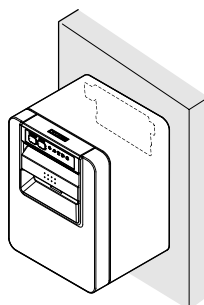
Este producto se puede utilizar horizontalmente o montado en la pared. No se puede utilizar verticalmente.



Posición horizontal



Posición vertical



Montado en la pared



### PRECAUCIÓN

**No utilice la impresora en las siguientes condiciones.**

- Evite aquellos lugares inestables o sometidos a vibraciones.
- Lugares muy sucios o polvorientos.
- Evite aquellos lugares en los que la impresora no esté nivelada.
  - ◆ **La impresora podría caerse o provocar lesiones.**
  - ◆ **La calidad de impresión podría deteriorarse.**
- Orientada de forma distinta a la especificada.
  - ◆ **Puede resultar en funcionamiento erróneo, fallos o descargas eléctricas.**

**Precauciones para las instalaciones horizontales**

- No utilice el ajuste de corte completo. De lo contrario, se podría atascar la cizalla.

**Precauciones para las instalaciones murales**

- Ajuste el sensor de papel casi agotado.

### Para montaje en pared

Si la impresora se va a montar en la pared, pida a una persona de servicio que la instale.

Para más información, consulte el manual aparte del kit de montaje en pared.

## 3.11 Ajuste del sensor de papel casi agotado

Modifique la configuración del sensor de papel casi agotado para ajustar la posición en la que se detectará que se está agotando el papel.

1. Presione con cuidado el sensor de papel casi agotado con el dedo.
2. Mantenga el sensor de papel casi agotado presionado mientras lo mueve hacia a la derecha y la izquierda. A continuación se muestran las posiciones del sensor según el diámetro del rollo de papel utilizado.

(Unidad: mm)

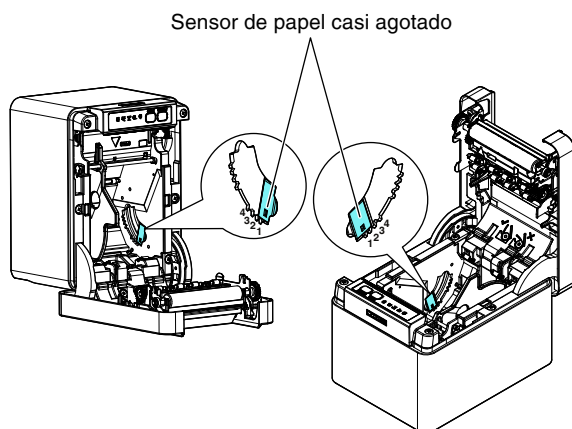
Posición del sensor	Diámetro externo del rollo de papel cuando se detecta papel casi agotado	Diámetro externo/interno del tubo del rollo de papel utilizado
1*	ø22,0 aproximadamente	ø18/ø12
2	ø25,0 aproximadamente	ø18/ø12
3	ø29,0 aproximadamente	ø18/ø12
4	ø34,0 aproximadamente	ø18/ø12

Notas:

- \* Posición del sensor al salir de fábrica. No obstante, los ajustes de fábrica varían según el mercado de destino.

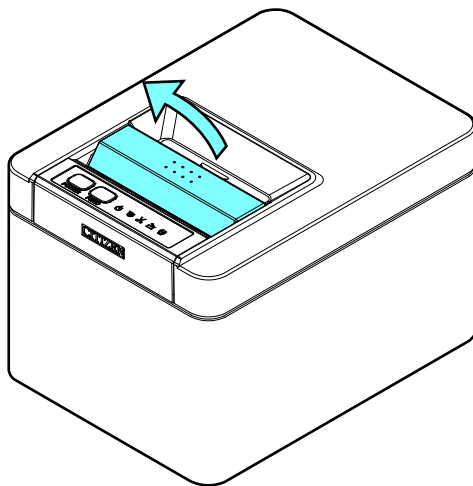
### Notas

El diámetro del rollo de papel detectado es estimativo. Pueden haber algunas variaciones según el papel.



## 3.12 Carga del papel

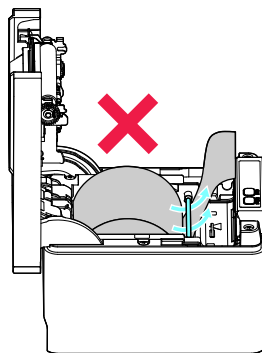
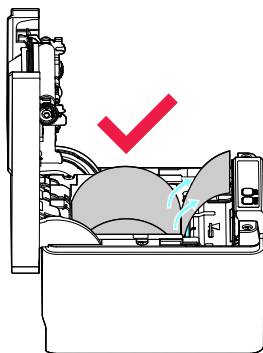
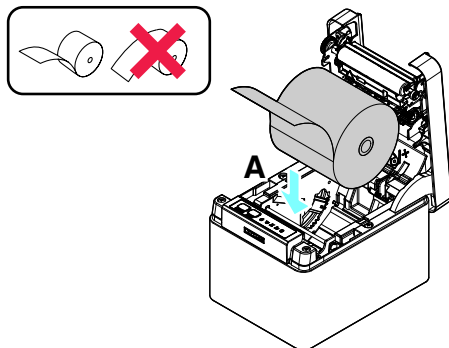
1. Conecte la alimentación.
2. Tire de la palanca de apertura de la tapa hacia usted para abrir la tapa del papel.



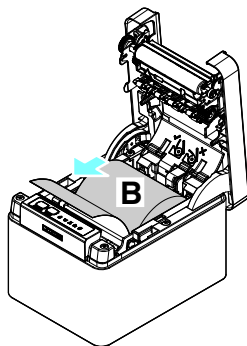


**3. Cargue el rollo de papel con la cara de impresión hacia arriba, como indica la flecha A.**

Coloque el rollo de papel de manera que pase por encima del amortiguador de alisado de papel.



**4. Saque unos centímetros de papel hacia fuera siguiendo la dirección de la flecha B.**



**5. Cierre la tapa del papel hasta que encaje en su sitio. El papel se alimenta y se corta automáticamente (según la configuración de fábrica).**



## PRECAUCIÓN

- Al abrir la tapa del papel tenga cuidado de no tocar la entrada de la hoja de la cizalla automática.
- El cabezal de impresión está muy caliente justamente después de imprimir. Tenga cuidado de no tocarlo con las manos.
- No toque el cabezal de impresión directamente con las manos o con un objeto metálico.
- Al cerrar la tapa del papel, procure no pillarse los dedos.
- Tenga cuidado de no cortarse con el papel mientras lo carga.

### Notas

- Utilice siempre los tipos de rollo de papel especificados.
- Compruebe que el rollo de papel está colocado correctamente.
- Si el papel está torcido y no sale recto por la tapa del papel, abra la tapa y enderece el papel.
- Saque unos centímetros de papel afuera de la impresora cuando abra la tapa del papel mientras se carga papel.
- Haga presión sobre el centro de la tapa del papel para cerrarla de forma segura. Si solo se cierra uno de los lados, puede producirse una impresión irregular.



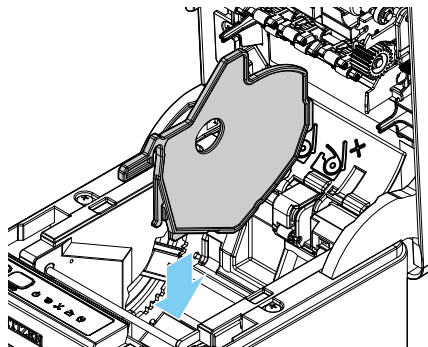
**Consulte PRECAUCIONES PARA EL MANEJO DE LA IMPRESORA**

## 3.13 Separador de papel en rollo de 58 mm de anchura

1. Desconecte la alimentación.
2. Tire de la palanca de apertura de la tapa hacia usted para abrir la tapa del papel.
3. Monte el separador suministrado en la ranura. Si utiliza el papel en rollo de 80 mm de anchura, retire el separador.
4. Para cambiar el ancho del área de impresión, consulte “Ajuste manual de los interruptores de memoria” en el apartado 5.3.



Consulte 5.3 Ajuste manual de los interruptores de memoria



### PRECAUCIÓN

- Al abrir la tapa del papel tenga cuidado de no tocar la entrada de la hoja de la cizalla automática.
- El cabezal de impresión está muy caliente justamente después de imprimir. Tenga cuidado de no tocarlo con las manos.
- No toque el cabezal de impresión directamente con las manos o con un objeto metálico.

## Notas

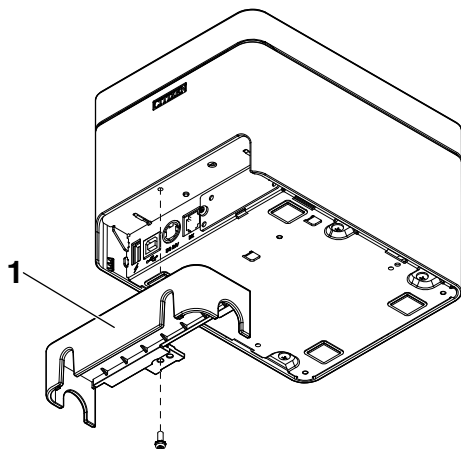
- Cuando utilice material de 58 mm de ancho, asegúrese de montar la partición.
- Si se utiliza papel de 58 mm de ancho, utilice la impresora como impresora específica para este tamaño de papel.  
La impresora puede no alimentar o imprimir papel correctamente o si se cambia a papel de 80 mm de ancho y se utiliza papel de 58 mm de ancho.



**Consulte PRECAUCIONES PARA EL MANEJO DE LA IMPRESORA**

## 3.14 Fijación de la tapa de los cables

- Alinee las garras de la tapa del cable con las ranuras de la unidad principal de la impresora e insértelas.



1. Tapa de los cables

## 3.15 Precauciones para la creación de aplicaciones y operaciones prácticas

Si la impresión se realiza inmediatamente después del corte parcial y la rotura del papel, es posible que la parte superior de la impresión siguiente quede distorsionada.

Para la impresión tras el corte, recomendamos imprimir con la primera línea vacía.

Si utiliza una interfaz serie con una velocidad de transmisión de datos lenta, puede que aparezcan bandas blancas en las impresiones cuando se impriman gráficos o texto con degradado, que requieren grandes cantidades de datos.

Las interfaces USB pueden verse afectadas por los efectos de interferencias electromagnéticas procedentes del host o ambientales.

Si fuera el caso, procure utilizar un cable con núcleos de ferrita en ambos extremos, ya que son muy eficaces eliminando las interferencias electromagnéticas (EMI).

## 3.16 Sitio de descarga de varios archivos electrónicos

Puede consultar información de asistencia y descargar los documentos, controladores, utilidades, etc. del siguiente sitio.

<https://www.citizen-systems.co.jp/en/printer/download/>

# 4. MANTENIMIENTO Y LOCALIZACION DE AVERIAS

## 4.1 Limpieza periódica

### Cómo cuidar la superficie exterior de la impresora

Después de apagar la impresora, póngase guantes y utilice un paño suave o un algodón absorbente para limpiarla.

En ese momento, asegúrese de desenchufar el cable de alimentación de CA de la toma de corriente.



### PRECAUCIÓN

- El uso prolongado de productos de limpieza puede provocar el blanqueamiento de la carcasa exterior.
- Cuando limpie con productos químicos autorizados, pruébelos previamente y siempre consulte el procedimiento recomendado por el fabricante.
- No limpie con etanol donde haya fuego, ya que el etanol es extremadamente inflamable.
- Utilice un paño suave cuando extienda productos químicos sobre la impresora. No pulverizar ni verter directamente sobre la impresora.
- Elimine el desinfectante con un paño suave y húmedo después del procedimiento de limpieza. No deben quedar gotas de agua en la impresora.
- No empape ni limpie el interior de la impresora, ni deje que penetre desinfectante en el interior. Puede producirse un fallo en el producto.

### Cómo limpiar el cabezal de impresión y el rodillo

Si el cabezal de impresión, el rodillo u otras partes de la impresora están sucias, es posible que la impresora no imprima limpiamente o que se produzca un mal funcionamiento. Se recomienda limpiar la unidad periódicamente (aproximadamente cada dos a tres meses) según el siguiente procedimiento.

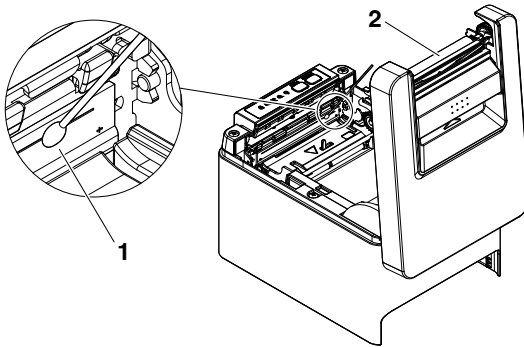
#### 1. Desconecte la alimentación.

En ese momento, asegúrese de desenchufar el cable de alimentación de CA de la toma de corriente.

#### 2. Tire de la palanca de apertura de la tapa hacia usted para abrir la tapa del papel.

#### 3. Espere unos minutos hasta que se haya enfriado el cabezal de impresión.

4. Utilice un bastón de algodón humedecido en alcohol etílico para limpiar la suciedad y el polvo que pueda haberse acumulado en el cabezal de impresión o en el rodillo.



1. Cabezal de impresión
2. Rodillo



## PRECAUCIÓN

- Al abrir la tapa del papel tenga cuidado de no tocar la entrada de la hoja de la cizalla automática.
- El cabezal de impresión está muy caliente justamente después de imprimir. Tenga cuidado de no tocarlo con las manos.
- No toque el cabezal de impresión directamente con las manos o con un objeto metálico.



Consulte PRECAUCIONES PARA EL MANEJO DE LA IMPRESORA



## 4.2 Subsanan un error de cizalla

Si la cizalla automática se detiene durante la operación de corte automático con la hoja de la cizalla automática en la posición abierta debido a la introducción de objetos extraños, atascos de papel, etc., el piloto CUTTER LED parpadea.

Si se produce un error de cizalla, subsánelo mediante el procedimiento siguiente.

1. **Conecte la alimentación.**
2. **Tire de la palanca de apertura de la tapa hacia usted para abrir la tapa del papel.**
3. **Retire el papel atascado incluido cualquier residuo del mismo. (Retire también el rollo de papel que haya en el portarrollo).**
4. **Vuelva a colocar el rollo de papel y cierre la tapa del papel.**



### PRECAUCIÓN

- Al abrir la tapa del papel tenga cuidado de no tocar la entrada de la hoja de la cizalla automática.
- El cabezal de impresión está muy caliente justamente después de imprimir. Tenga cuidado de no tocarlo con las manos.
- No toque el cabezal de impresión directamente con las manos o con un objeto metálico.



**Consulte PRECAUCIONES PARA EL MANEJO DE LA IMPRESORA**

## 4.3 Cancelación de la detención de impresión causada por un atasco de papel

El sensor de atascos de papel detecta un atasco en la salida del papel y detiene la impresión.

Utilice el siguiente método para cancelar una detención de impresión causada por un atasco de papel.

1. **Retire el papel que se haya quedado atascado en la salida del papel.**
2. **Si no se puede retirar, abra la tapa del papel y retire el papel.**

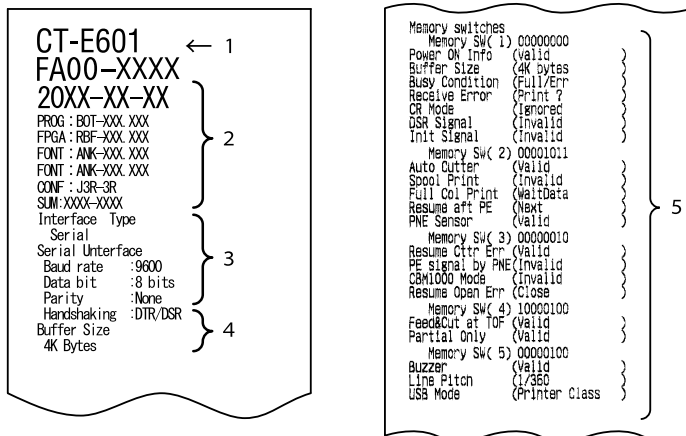
**3. Cargue el papel, cierre la tapa del papel y asegúrese de que el PAPER LED esté apagado.**

## 4.4 Autotest

Puede utilizar el autotest para comprobar problemas de la impresora.

### Realización de una operación de autotest

1. Mientras se carga papel, mantenga pulsado el botón FEED y encienda la impresora.
2. Mantenga pulsado el botón FEED durante un segundo aproximadamente hasta que suena el zumbador. Suelte el botón para iniciar el autotest. La impresora imprime el nombre de modelo, la versión, la configuración de los interruptores de memoria y la lista de fuentes incorporadas.



- 1: Nombre de modelo de la impresora
- 2: Versión de firmware
- 3: Ajustes de la interfaz
- 4: Tamaño del búfer
- 5: Ajustes de los interruptores de memoria

## 4.5 Impresión de volcado hexadecimal

Los datos recibidos se imprimen en hexadecimal. Si se produjeran problemas como la pérdida o la duplicación de datos, etc., con esta función podrá verificar si la impresora está recibiendo los datos correctamente.

### Cómo realizar la impresión de volcado hexadecimal

1. Coloque el papel.
2. Con la tapa del papel abierta, mantenga pulsado el botón FEED mientras enciende la impresora. Mantenga la pulsación del botón FEED mientras comienza a parpadear el POWER LED, y a continuación, cierre la tapa del papel.
3. La impresora imprimirá “HEX dump print mode” seguido de los datos recibidos impresos en números hexadecimales y algunos caracteres.

### Cómo detener la impresión de volcado hexadecimal

Siga uno de estos pasos para detener la impresión.

- Pulse el botón FEED tres veces seguidas
- Desconecte la alimentación
- Reciba un comando de reinicialización a través de una interfaz

#### Notas

- La impresora imprime “.” si no existen caracteres correspondientes a los datos.
- Durante la impresión de volcado hexadecimal no funciona ningún comando.
- Si los datos de impresión no ocupan una línea completa, pulse el botón FEED para hacer avanzar el papel.

#### Ejemplo de impresión

HEX dump print mode

```
61 62 63 64 65 66 67 0A 0D 0D 0D 0D abcdefg.....  
0D 0D 0D .....  
.....
```

## 4.6 Indicaciones de error

- Papel agotado, papel casi agotado

El final del rollo de papel se detecta en dos etapas, papel casi agotado y papel agotado.

Cuando se detecta que el papel está casi agotado, el piloto PAPER LED parpadea. Prepare un rollo de papel nuevo.

Cuando se detecta que el papel se ha agotado, el piloto PAPER LED se ilumina y suena el zumbador. Coloque un rollo de papel nuevo. La configuración de los interruptores de memoria se puede utilizar para desactivar el zumbador.

- Tapa abierta

Cuando se abre la tapa, el COVER LED se ilumina y suena el zumbador.

Es posible que el zumbador no suene en función del ajuste de los interruptores de memoria.

No abra la tapa mientras se está imprimiendo. Si se abre la tapa accidentalmente, parpadea el COVER LED. Compruebe el papel, tire de él recto hacia fuera de la impresora un par de centímetros y cierre la tapa. La impresión se reanuda. Se debe enviar un comando para reiniciar la impresora según la configuración de los interruptores de memoria.

- Error de cizalla

Si la cizalla automática no se puede mover a causa de un atasco de papel o por otro motivo, CUTTER LED parpadea y suena el zumbador. Elimine la causa del problema y pulse el botón FEED. Si la cizalla automática sigue sin moverse y la tapa del papel no se abre, consulte “Subsanar un error de cizalla”.



**Consulte 4.2 Subsanar un error de cizalla**

- Detención de la impresión por atasco de papel

Cuando se produce un atasco de papel en la salida del mismo, el indicador PAPER LED parpadea y la impresión se detiene.

Retire el papel atascado y cargue el papel.



**Consulte 4.3 Cancelación de la detención de impresión causada por un atasco de papel**

- **Cabezal de impresión caliente**

Cuando se imprimen caracteres densos, imágenes oscuras o durante mucho tiempo en un ambiente caluroso, la temperatura del cabezal de impresión aumenta. Si el cabezal de impresión sobrepasa una temperatura especificada, la impresora deja de imprimir y espera hasta que se enfríe el cabezal de impresión. Cuando esto sucede, los pilotos PAPER LED, CUTTER LED y COVER LED parpadean. La impresión se reanuda automáticamente cuando se haya enfriado el cabezal de impresión.

La pantalla de estado para varios mensajes se muestra a continuación.

Estado	POWER LED	PAPER LED	CUTTER LED	COVER LED	SERVICE LED	Zumbador *1
Papel casi agotado	Iluminado		No iluminado	No iluminado	No iluminado	No
Papel agotado	Iluminado	Iluminado	No iluminado	No iluminado	No iluminado	Sí*2
Tapa abierta*3	Iluminado	No iluminado	No iluminado	Iluminado	No iluminado	Sí*2
Tapa abierta II*4	Iluminado	No iluminado	No iluminado		No iluminado	Sí*2
Cizalla bloqueada	Iluminado	No iluminado		No iluminado	No iluminado	Sí
Detención de la impresión por atasco de papel	Iluminado		No iluminado	No iluminado	No iluminado	No
Error de tensión baja	Iluminado				No iluminado	No
Error de tensión alta	Iluminado	No iluminado	No iluminado	No iluminado		No
Error de sistema	Iluminado	No iluminado	No iluminado	No iluminado		No
Error de la memoria	No iluminado	No iluminado	No iluminado	No iluminado		No
Cabezal de impresión caliente	Iluminado				No iluminado	No
Espera de ejecución de macro		No iluminado	No iluminado	No iluminado	No iluminado	No
Recepción de datos		No iluminado	No iluminado	No iluminado	No iluminado	No

Notas:

\*1 El zumbador suena cuando MSW5-1 (ajuste del zumbador) está ajustado en ON.

\*2 El MSW10-5 (caso de zumbador) se puede configurar para desactivar el zumbador.

\*3 Aparece cuando hay una tapa abierta estando en modo de espera.

\*4 Se indica cuando se abre una tapa durante la impresión.

## 4.7 Atascos de papel

Procure que no se obstruya la salida de papel y se produzcan atascos alrededor de la salida al imprimir.

Si el papel no puede salir de la impresora, puede enrollarse en el rodillo dentro de la impresora y provocar un error.

Si el papel se enrolla alrededor del rodillo, abra la tapa del papel y con cuidado tire del papel para sacarlo.

## 4.8 Precauciones al realizar impresiones en las que cambia la velocidad de impresión

Cuando se realiza una impresión en la que cambia la velocidad de impresión, se pueden imprimir líneas en blanco o el papel puede no alimentarse en función de las condiciones de impresión. Para evitar estos problemas, cambie los siguientes ajustes de los interruptores de memoria.

1. **Habilite MSW2-3 (guardar en búfer).**
2. **Aumente la velocidad en baudios de MSW7-1 (velocidad en baudios serie).**
3. **Cambie el MSW10-2 (velocidad de impresión) a un nivel inferior.**

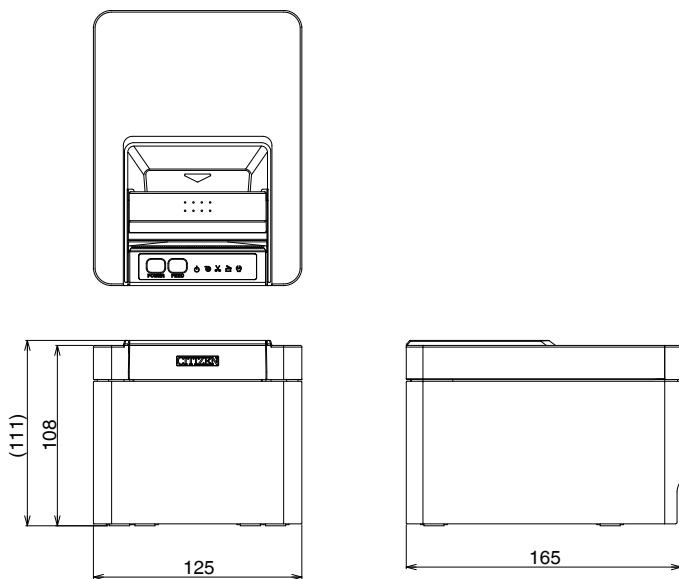
Notas
Dependiendo de la velocidad de transmisión de la interfaz serie, la temperatura ambiente, el volumen de datos de impresión y otros factores, el hecho de cambiar los ajustes puede no eliminar los problemas.



## 5. OTROS

### 5.1 Vistas externas y dimensiones

(Unidad: mm)

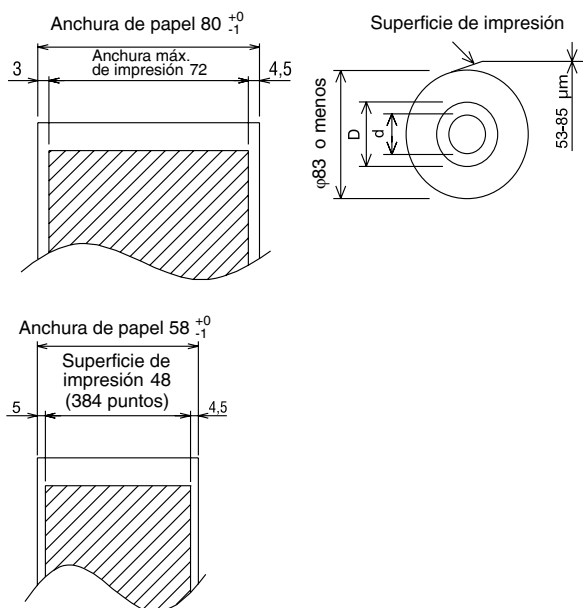


## 5.2 Papel de Impresión

Utilice el papel que se muestra en la tabla siguiente o papel de calidad equivalente.

Tipo de papel	Nombre del producto
Papel térmico en rollo recomendado	Nippon Paper TP50KR-2Y, TP50KJ-R, TL69KS-LH, TF50KS-E2D Oji Paper PD150R, PD160R, PD160R-63 Mitsubishi Paper Mills HP220AB-1, P220AB Koehler KT48-FA

(Unidad: mm)



Grosor del papel ( $\mu\text{m}$ )	53 a 85
Diámetro interno del tubo central d (mm)	$\varnothing 12$
Diámetro externo del tubo central D (mm)	$\varnothing 18$

## **Notas**

**Utilice papel térmico que haya sido enrollado de la siguiente forma:**

- Sin arrugar, apretado firmemente al tubo central.
- Sin doblar.
- Sin pegar al tubo central.
- Enrollado con la cara de impresión hacia fuera.

## 5.3 Ajuste manual de los interruptores de memoria

Los interruptores de memoria se utilizan para configurar distintos parámetros de la impresora. Los interruptores de memoria se pueden configurar manualmente o mediante comandos. En esta sección se explica cómo realizar la configuración manual.

Para obtener información sobre cómo configurar los interruptores de memoria mediante comandos, consulte la Referencia de comandos.

### Modo de configuración rápida

Los ajustes de los interruptores de memoria correspondientes al fabricante de una impresora de sustitución, el modelo, el ancho de papel y la separación entre caracteres se pueden configurar a la vez en sus valores óptimos.

Configure los ajustes mientras confirma los elementos seleccionados en el informe impreso.

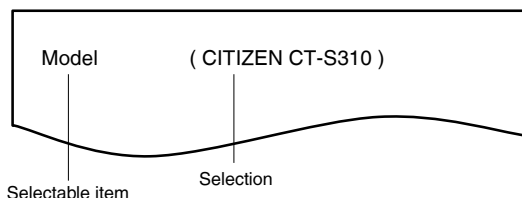
#### 1. Coloque el papel.

#### 2. Con papel cargado, mantenga pulsado el botón FEED mientras enciende la impresora.

#### 3. Pulse el botón FEED tres veces y cierre la tapa del papel.

La impresora entra en el modo de configuración rápida de los interruptores de memoria.

Se imprime el elemento seleccionable "Model" y la selección.



#### 4. Pulse el botón FEED.

Cada vez que se pulsa el botón FEED, se imprime una selección en orden a lo largo del ciclo.

Pulse el botón FEED hasta que se imprima la selección deseada.

#### 5. Pulse el botón FEED durante al menos dos segundos.

La selección queda ajustada.

Si existe otro elemento seleccionable, éste y la selección se imprimen.

**6. Repita los pasos 4 y 5 para seleccionar y ajustar el modelo de la impresora, el ancho de papel, la separación entre caracteres (sólo EPSON T88).**

Una vez ajustados todos los elementos, se imprime "Save To Memory".

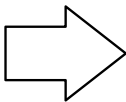
**7. Pulse el botón FEED durante al menos dos segundos.**

Se guardan los ajustes modificados de los interruptores de memoria y se imprime una lista de dichos ajustes.

Una vez finalizada la impresión, la impresora sale del modo de configuración rápida.

**Elemento seleccionado**

Manufacturer	Paper width	Character space
CITIZEN CT-S310	58 mm	-
	80 mm	-
EPSON T88	58 mm	0 dot
		1 dot
	80 mm	0 dot
		1 dot
EPSON 203dpi	80 mm	-
	58 mm	-



**Configuración automática de los interruptores de memoria**

MSW2-4 Full Col Print	MSW3-7 CBM1000 Mode	MSW8-1 Print Width	MSW6-2 Character Space
WaitData	Invalid	384 dots	-
WaitData	Invalid	576 dots	-
WaitData	Invalid	360 dots	0 dot
WaitData	Invalid	390 dots	1 dot
WaitData	Invalid	512 dots	0 dot
WaitData	Invalid	546 dots	1 dot
WaitData	Invalid	576 dots	0 dot
WaitData	Invalid	420 dots	-



**6. Pulse el botón FEED.**

Se imprime un ajuste cada vez que se pulsa el botón FEED en orden a lo largo del ciclo.  
Cuando se imprime la configuración actual, se ilumina el piloto COVER LED.  
Pulse el botón FEED hasta que se imprima el ajuste deseado.

**7. Pulse el botón FEED durante al menos dos segundos.**

Los ajustes seleccionados quedan ajustados.  
Se imprimen los ajustes y la función del interruptor de memoria siguiente.

**8. Repita los pasos 5 al 7 para modificar diversas funciones del número de interruptor de memoria actual.**

**9. Abra la tapa del papel y ciérrela.**

Se imprimen los ajustes modificados del interruptor de memoria.

**10. Repita los pasos 4 al 9 para modificar las funciones de otro número de interruptor de memoria.**

**11. Pulse el botón FEED hasta que se imprima “Save To Memory”.**

**12. Pulse el botón FEED durante al menos dos segundos.**

Se guardan los ajustes modificados de los interruptores de memoria y se imprime una lista de dichos ajustes.

Una vez finalizada la impresión, la impresora sale del modo de configuración individual.

**Inicialización de los interruptores de memoria**

Recupere la configuración de fábrica de todos los interruptores de memoria.

**1. Realice los pasos 1 al 3 del procedimiento para entrar en el modo de configuración individual.**

**2. Pulse el botón FEED hasta que se imprima “Save To Memory”.**

**3. Abra la tapa del papel.**

**4. Pulse el botón FEED durante al menos dos segundos.**

Todos los interruptores de memoria recuperan su configuración de fábrica.

**5. Cierre la tapa del papel.**

En la siguiente tabla se muestra la función de cada interruptor de memoria. (Los valores sombreados son ajustes de fábrica).

N.º de interruptor	Función	OFF	ON
MSW1-1	Power ON Info	Valid	Not Send

<b>N.º de interruptor</b>	<b>Función</b>	<b>OFF</b>	<b>ON</b>
MSW1-2	Buffer Size	4K bytes	45 bytes
MSW1-3	Busy Condition	Full/Err	Full
MSW1-4	Receive Error	Print*?"	No Print
MSW1-5	CR Mode	Ignored	LF
MSW1-6	Reserved	Fixed	—
MSW1-7	DSR Signal	Invalid	Valid
MSW1-8	INIT Signal	Invalid	Valid
MSW2-1	Reserved	—	Fixed
MSW2-2	Auto Cutter	Invalid	Valid
MSW2-3	Spool Print	Invalid	Valid
MSW2-4	Full Col Print	LineFeed	WaitData
MSW2-5	Resume aft PE	Next	Top
MSW2-6	Reserved	Fixed	—
MSW2-7	Reserved	Fixed	—
MSW2-8	PNE Sensor	Valid	Invalid
MSW3-1	Resume Ctrr Err	Valid	Invalid
MSW3-2	PE signal by PNE	Valid	Invalid
MSW3-3	Reserved	Fixed	—
MSW3-4	Reserved	Fixed	—
MSW3-5	Reserved	Fixed	—
MSW3-6	Reserved	Fixed	—
MSW3-7	CBM1000 Mode	Invalid	Valid
MSW3-8	Resume Open Err	Close	Command
MSW4-1	Reserved	Fixed	—
MSW4-2	Reserved	Fixed	—
MSW4-3	Feed&Cut at TOF	Invalid	Valid
MSW4-4	Reserved	Fixed	—
MSW4-5	Reserved	Fixed	—
MSW4-6	Reserved	Fixed	—
MSW4-7	Reserved	Fixed	—
MSW4-8	Partial Only	Invalid	Valid
MSW5-1	Buzzer	Valid	Invalid
MSW5-2	Line Pitch	1/360	1/406
MSW5-3	USB Mode	Virtual COM	Printer Class
MSW5-4	Reserved	Fixed	—
MSW5-5	Reserved	Fixed	—
MSW5-6	Reserved	Fixed	—
MSW5-7	Reserved	Fixed	—
MSW5-8	Reserved	Fixed	—
MSW6-1	Act. For Driver	Invalid	Valid
MSW6-2	Character Space	Invalid	Valid
MSW6-3	USB Power Save Mode	Invalid	Valid
MSW6-4	Reserved	Fixed	—
MSW6-5	Reserved	Fixed	—
MSW6-6	Reserved	Fixed	—
MSW6-7	USB Power@PW-OFF	Invalid	Valid
MSW6-8	Power ON trigger	Power switch ON	AC power input



N.º de interruptor	Función	Initial setting	Setting value
MSW7-1	Baud Rate	9600 bps	1200 bps, 2400 bps, 4800 bps, 9600 bps, 19200 bps, 38400 bps, 57600 bps, 115200 bps
MSW7-2	Data Length	8bits	7bits, 8bits
MSW7-3	Stop Bit	1bit	1bit, 2bits
MSW7-4	Parity	NONE	NONE, ODD, EVEN
MSW7-5	Flow Control	DTR/DSR	DTR/DSR, XON/XOFF
MSW7-6	DMA Control	Valid	Valid, Invalid
MSW7-7	VCom Protocol	PC Setting	PC Setting, DTR/DSR, XON/XOFF
MSW8-1	Print Width	576 dots	576 dots, 546 dots, 512 dots, 420 dots, 390 dots, 384 dots, 360 dots
MSW8-3	Top Margin	12 mm	2 mm, 3 mm, 4 mm, 5 mm, 6 mm, 7 mm, 8 mm, 9 mm, 10 mm, 11 mm, 12 mm
MSW8-4	Line Gap Reduce	Invalid	Invalid, 3/4, 2/3, 1/2, 1/3, 1/4, 1/5, ALL
MSW8-5	Reduced Char V/H	100% / 100%	100% / 100%, 75% / 100%, 50% / 100%, 100% / 75%, 75% / 75%, 50% / 75%
MSW8-6	Auto Side Shift	Invalid	Invalid, 1 dot, 2 dots, 3 dots, 4 dots, 5 dots, 6 dots, 7 dots
MSW9-1	Code Page	PC437	PC 437, Katakana, PC 850, PC 858, PC 860, PC 863, PC 865, PC 852, PC 866, PC 857, WPC1252, Space page, PC 864, ThaiCode11 1Pass, ThaiCode11 3Pass, ThaiCode18 1Pass, ThaiCode18 3Pass, TCVN-3, WPC1258
MSW9-2	Int'Char Set	U.S.A	USA, France, Germany, England, Denmark, Sweden, Italy, Spain, Japan, Norway, Denmark 2, Spain 2, Latin America, Korea, Croatia, China, Vietnam
MSW9-4	Kanji code	Invalid	Disabled, JIS (Japan), SJIS: CP932 (Japan), SJIS: X0213 (Japan), GB18030 (China), KS Hangul (South Korea), EUC Hangul (South Korea), BIG5-HKSCS
MSW10-1	Print Density	100 %	70 %, 75 %, 80 %, 85 %, 90 %, 95 %, 100 %, 105 %, 110 %, 115 %, 120 %, 125 %, 130 %, 135 %, 140 %
MSW10-2	Print Speed	Level 9	Level 1, Level 2, Level 3, Level 4, Level 5, Level 6, Level 7, Level 8, Level 9
MSW10-4	Old Command	Invalid	Invalid, CBM1, CBM2
MSW10-5	Buzzer Event	Not By C. Open	All Event/Error, Not by C.Open, Not by C.Open/PE
MSW10-6	Buzzer Sound	Tone 2	Tone 1, Tone 2, Tone 3, Tone 4
MSW13-1	Security/Target	Low/All	Low/All, Mid/All, Mid/Paired only, Hi/All, Hi/Paired only
MSW13-5	BT Device Scan	Discoverable	No Response, Discoverable
MSW13-6	Auto Reconnect	Valid	Invalid, Valid

# **CITIZEN SYSTEMS AMERICA CORPORATION**

363 Van Ness Way, Suite 404 Torrance, CA 90501. USA

Tel: (310) 781-1460 Fax:(310) 781-9152

<http://www.citizen-systems.com>

# **CITIZEN SYSTEMS EUROPE GmbH**

Otto-Hirsch-Brücken 17

70329 Stuttgart

Germany

Tel: +49 (0) 711 49032-0

Fax: +49 (0) 711 49032-45

<http://www.citizen-europe.com>

Elizabeth House, 56-60 London Road

Staines-Upon-Thames, TW18 4HF

United Kingdom

Tel: +44 (0) 20 8893 1900

Fax: +44 (0) 20 8893 0080

# **CITIZEN SYSTEMS JAPAN CO., LTD.**

6-1-12, Tanashi-cho, Nishi-Tokyo-shi Tokyo, 188-8511. Japan

Tel: +81 (0) 42 468 4608 Fax:+81 (0) 42 468 4687

<https://www.citizen-systems.co.jp/printer/>

CT-E601\_UM\_100\_5L

PMC-2103

March 2021