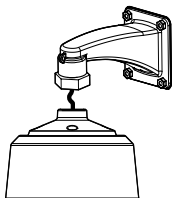


# DA-WM1400 INSTALLATION MANUAL

This manual is intended for users of the DA-WM1400 wall mounting bracket. It includes instructions for mounting the DA-WM1400 wall mounting bracket to a wall.

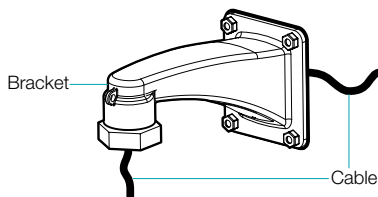


- This bracket is intended to be used with DC-S series model of cameras. Do not use it with other models of cameras.
- This installation should be performed by a qualified service personnel in conformance to all local codes.
- You may need to reinforce the wall. If the wall is not strong enough to support the camera, the camera may fall.
- Do not use this product for other purposes.

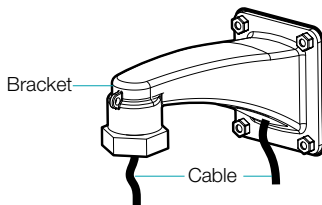
## Mounting

Mount the bracket to the wall as follows:

- 1 Mount bracket to the wall.
- 2 Insert cables from external devices, network and power adapter into bracket.



or



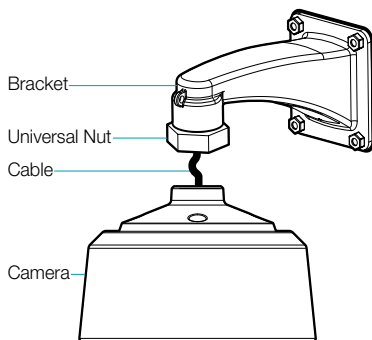
Connect your camera to the bracket as follows:

- 3 Connect the camera to the bracket by turning the universal nut.



**Do not turn the camera but turn the universal nut when connecting the camera to the pipe, otherwise, the cable will be twisted.**

- 4 Turn on power.



## Dimensions

Unit: mm (inch)

