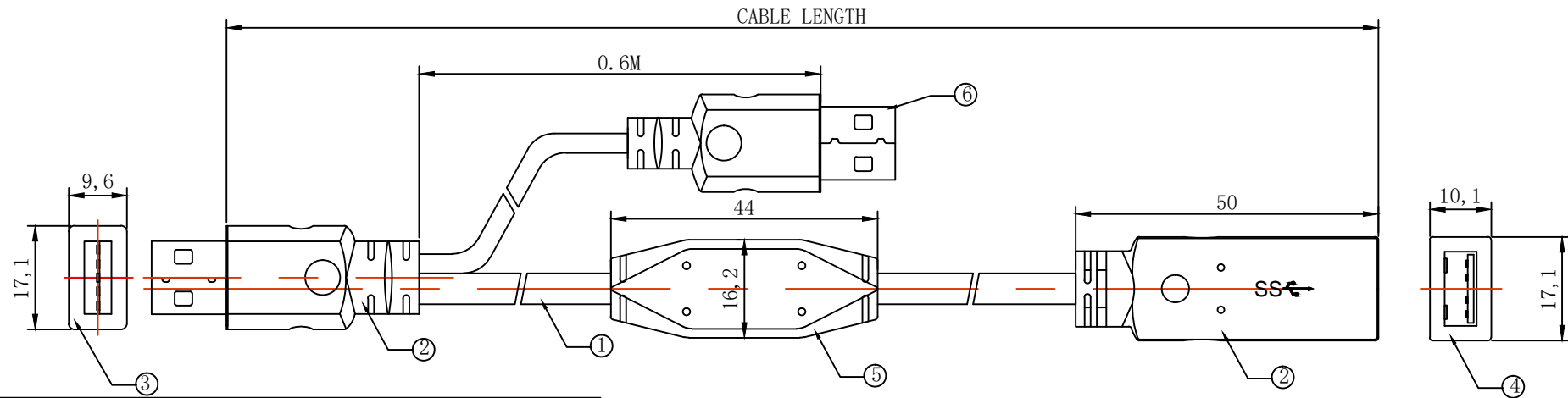


RoHS

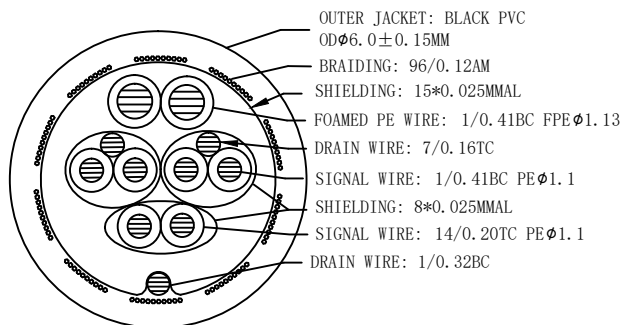
REV.	DESCRIPTION	DATE
A		2022-03-24
B		





NO.	SPECIFICATION
①	USB 3.0 CABLE
②	PLASTIC MOLDING
③	USB 3.0 CONNECTOR A-MALE
④	USB 3.0 CONNECTOR A-FEMALE
⑤	BUILD-IN AMPLIFIER
⑥	USB POWER SUPPLY CABLE

ITEM NO.	LENGTH
XX	12.5
XX	15

CABLE SPECIFICATION



TITLE	USB3.0 AM TO AF		
DRAWING NO		DRAWER	001
REV.	A	CHECKED	
		APPROVED	

VIVO LINK