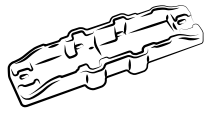
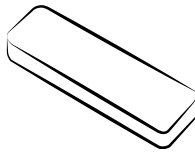


Part Index

*not to scale



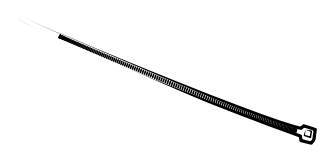
A x1



B x1

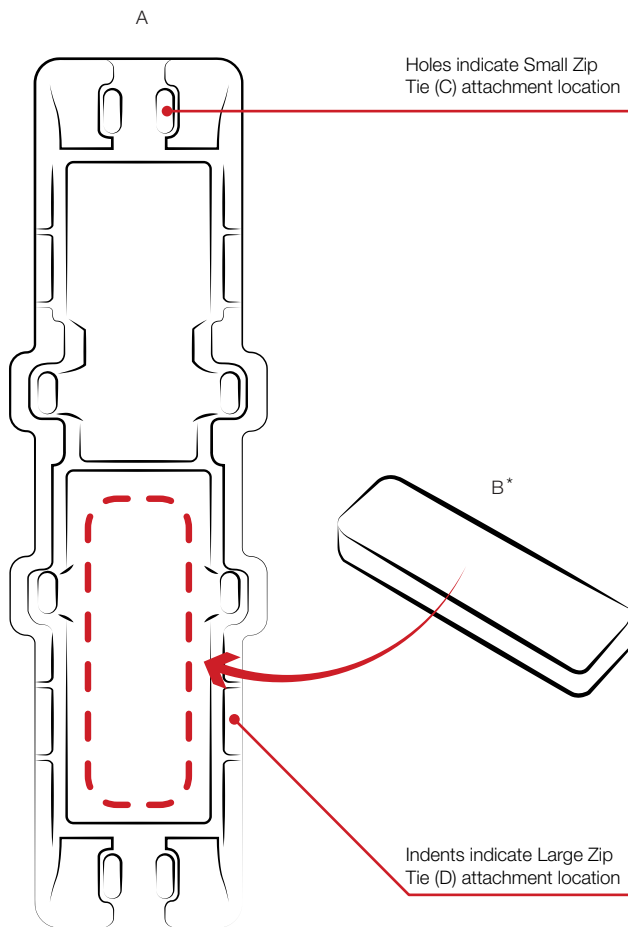


C x4

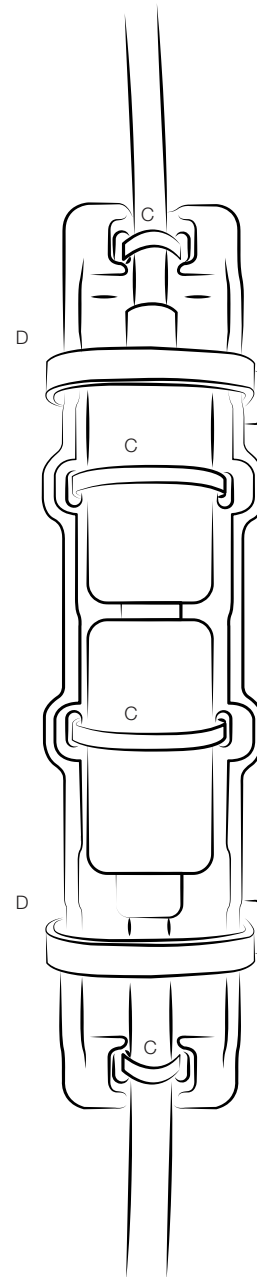


D x2

When using included RAM® Cable Clamp (A) be sure to attach the accompanying Foam Pad (B) insert into the longer side of the bracket when using Type A USB cables for greater stabilization.



*When using a USB Type-C Cable, do not use Foam Pad (B).



RPR-INS-CAB-CLAMP3



Safety Precaution

Do not install this product near or over an airbag deployment area or in a location that obstructs the driver's vision or interferes with vehicle operation. National Products, Inc does not assume responsibility or liability for any such personal injury, death or property damage.