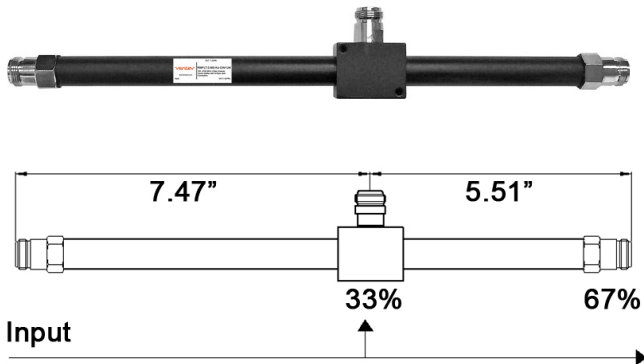


# 700-2700 MHz 2-Way Unequal Splitter with N-Style Jack Connector



Ventev's antenna splitters are designed to divide or “split” the RF signal from one radio to multiple antennas. The splitters are perfect for applications that require coverage of two different areas with a single access point or bridge. The splitter’s rugged design and small footprint make them ideal for most bridging and LAN applications.

Every Ventev splitter is covered by the company’s one-year warranty program.

For questions or to purchase product, contact Ventev: 800-851-4965 or [sales@ventev.com](mailto:sales@ventev.com)

## SPECIFICATIONS

<b>SKU</b>	363790
<b>Model</b>	RMFLT-2-M3-NJ-UN
<b>Frequency Range</b>	700 ~ 2700 MHz
<b>Splitting Power</b>	33:67
<b>VSWR</b>	≤1.3
<b>Impedance</b>	50 Ω
<b>Maximum Power</b>	500 Watts
<b>Connector</b>	N-Style Jack
<b>Operating Temperature Range</b>	-40°F to +140°F
<b>Humidity</b>	5 % ~ 95 %
<b>Dimensions</b>	12.99” x 1.89” x 1.14”
<b>Weight</b>	11.5 ounces
<b>Ingress Protection Rating</b>	IP53

## FEATURES AND BENEFITS

- Provide RF coverage in separate areas with a single access point or bridge
- Compact, lightweight design
- Easy to mount
- High isolation, low insertion loss and minimal VSWR
- N-Style Jack connector included
- Excellent value - Superior performance at a competitive price