



CT40 Scan Handle

Models CT40-SH-DC, CT40-SH-CC

Quick Start Guide

Out of the Box

Make sure that your shipping box contains these items:

- CT40 Scan Handle (CT40-SH-DC or CT40-SH-CC)

Be sure to keep the original packaging in case you need to return the scan handle for service.



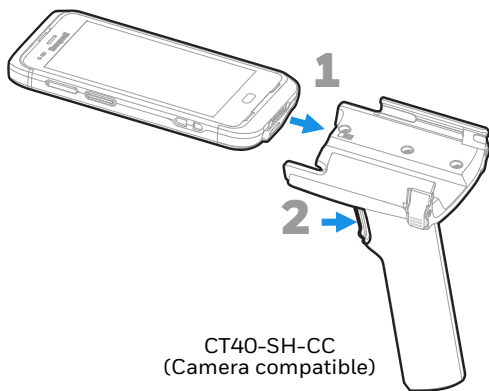
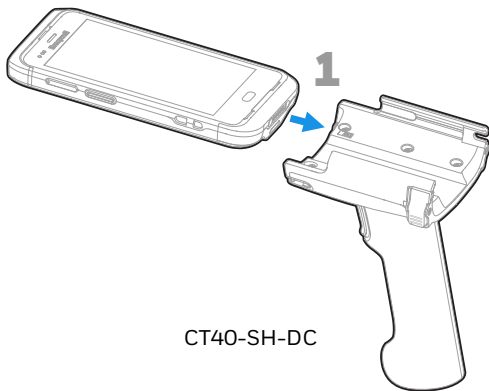
Caution: We recommend the use of Honeywell accessories and power adapters. Use of any non-Honeywell accessories or power adapters may cause damage not covered by the warranty.

Mise en garde : Il est recommandé d'utiliser les périphériques, les cordons d'alimentation et les adaptateurs secteur conçus par Honeywell. L'utilisation de tout périphérique, cordon d'alimentation ou adaptateur secteur d'une autre marque est susceptible de provoquer des dommages non couverts par la garantie.

Note: *Before installing the scan handle, remove any protective boot on the CT40.*

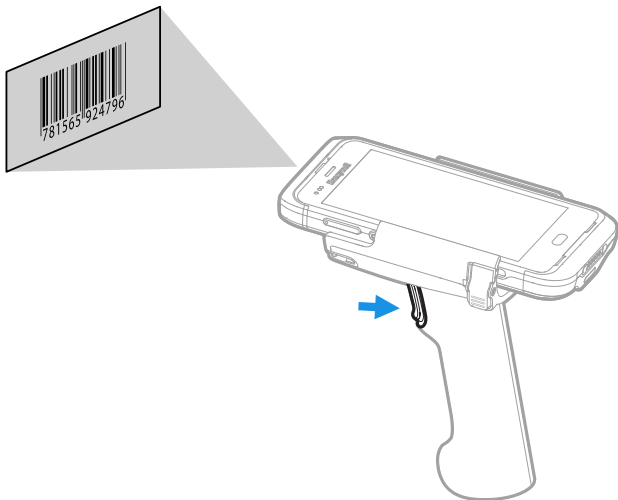
Insert the CT40 into the Scan Handle

Slide the CT40 into the scan handle until it snaps firmly in place.



Scan a Bar Code

Press the trigger on the handle to scan a bar code.

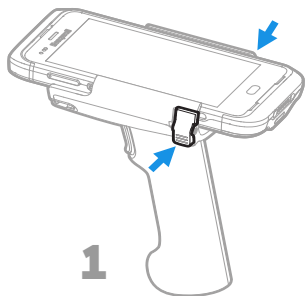
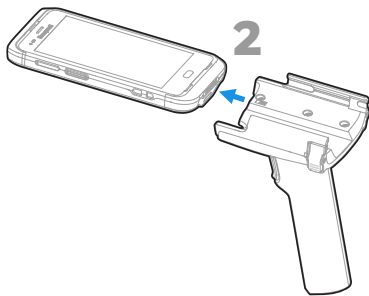


Remove the CT40 from the Scan Handle

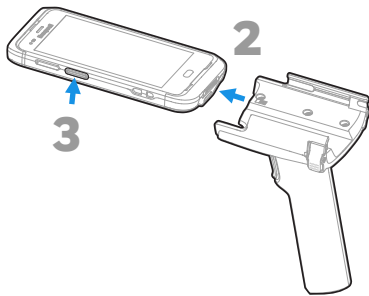
Press and hold open the latches to slide the CT40 out of the handle.



CT40-SH-DC



CT40-SH-CC
(Camera compatible)



Minimum Software Requirement

Always make sure your mobile computer is updated to the latest software release. Minimum recommended version is 85.00.16-(0121)/86.00.15-(0119) or higher.

For more information about software updates, refer to your mobile computer user guide.

Support

To search our knowledge base for a solution or to log into the Technical Support portal and report a problem, go to www.hsmcontactsupport.com.

Documentation

Product documentation is available at www.honeywellaidc.com.

Limited Warranty

For warranty information, go to www.honeywellaidc.com and click **Resources > Product Warranty**.

Patents

For patent information, see www.hsmpats.com.

Trademarks

Android and Google and other marks are trademarks of Google Inc.

Disclaimer

Honeywell International Inc. (“HII”) reserves the right to make changes in specifications and other information contained in this document without prior notice, and the reader should in all

cases consult HII to determine whether any such changes have been made. The information in this publication does not represent a commitment on the part of HII.

HII shall not be liable for technical or editorial errors or omissions contained herein; nor for incidental or consequential damages resulting from the furnishing, performance, or use of this material. HII disclaims all responsibility for the selection and use of software and/or hardware to achieve intended results.

This document contains proprietary information that is protected by copyright. All rights are reserved. No part of this document may be photocopied, reproduced, or translated into another language without the prior written consent of HII.

Copyright © 2018-2019 Honeywell International Inc. All rights reserved.