

# EHS8000 Series Enclosure

## RUGGED, OUTDOOR, STAINLESS STEEL

### Product Features

- High Reliability 316L Stainless Steel Construction
- Temperature Range from -30° to 50°C (-22° to 122°F)
- Meets IP66/IP68 and Type 6P Standards
- IK10 Mechanical Resistance, Vandal Resistance
- All Models Include Heater and Blower
- 24 VAC, Power Over Ethernet (PoE), and 230 VAC models
- Advanced Optics for Megapixel Camera Support
- Cable Entry Glands At the Rear of the Enclosure
- Integrated Cradle on Bottom of the Enclosure For Mounting or Used In Conjunction With Included Wall Mount
- Easy Access for Servicing and Installation
- Sun Shroud and EMS8000 mount included



Pelco's EHS8000 Series rugged outdoor enclosure is designed to protect camera and lens components in adverse environmental conditions. The stainless steel construction increases reliability and reduces the cost of maintenance.

The EHS8000 Series enclosure is easily installed in the field and its rugged construction and high-quality seals prevent impurities from contaminating camera and lens components.

Constructed of corrosion-resistant 316L stainless steel to IK10 and IP66 and IP68 ratings, the rugged EHS8000 Series features a mounting cradle, sled and track assembly for camera mounting for easy access to the camera and lens. Power, video, and lens control cables are routed through environmentally sealed gland fittings on the rear of the enclosure.

All EHS8000 Series enclosures come standard with heater and blower. Power input options include 24 VAC, 230 VAC and Power over Ethernet while providing 24 VAC, 12 VDC, or POE power to the camera depending on the model.

A sun shroud shields the enclosure from direct sunlight and reduces the internal temperature by approximately 6° to 10°C (10° to 15°F). The sun shroud and a wall mount bracket come standard with every unit.

# TECHNICAL SPECIFICATIONS

## MECHANICAL

Camera Mounting	Internal camera sled with adjustable positioning
Camera and Lens Size	Accepts camera and lens combinations up to 22.86 x 10.16 x 7.62 cm (9-in L x 4-in W x 3.5-in H)
Viewing Window	High optic grade soda lime glass, 4K ready
Viewing Area	3.00-inch diameter
Cable Entry	
Maximum Cable Diameters	0.45 in (11.4 mm)
Cable Entry Holes	2 x M20 compression glands
Fastening for Front and Rear of the Enclosure	M5 screws with Torx head

## CERTIFICATIONS\*

- CE
- ICES-003 (Class A)
- UL/cUL Listed
- UL/IEC 60950-22 (TBD)
- Meets Type 6P, IP66, and IP68 standards
- IK10 Mechanical Impact Resistance (Mechanical enclosure only, not the front window)
- KCC
- RCM

## ELECTRICAL

Input Power	24 VAC, HPOE, or 230 VAC
Input Voltage	
HPoE	IEEE802.3BT
24 VAC	±10%, up to 40W (without camera), up to 53W (with 13W camera), 24 VAC output to camera
230 VAC	±10%, up to 40W (without camera), up to 53W (with 13W camera), 12 VDC output to camera
Maximum Power Output to Camera	13W

### EHS8000 ENCLOSURE WITH EMS8000 WALL MOUNT



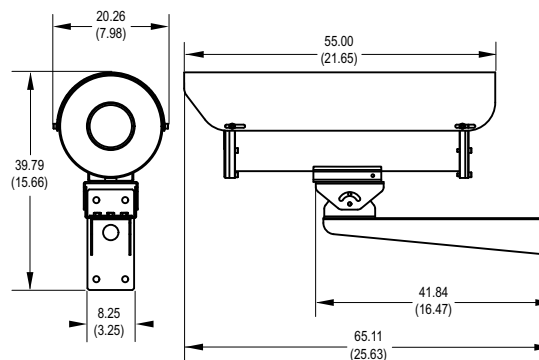
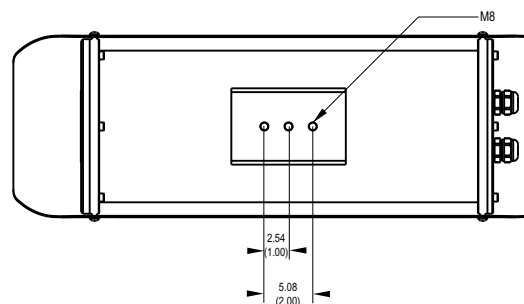
## GENERAL

Construction	316L stainless steel	
Finish	Electropolished	
Environment	Indoor/environmental ambient temperature -30° to 50° C (-22° to 122°F)	
Unit Length		
Base	55.0 cm (21.65 in)	
Overall	65.1 cm (25.63 in)	
Model	Unit Weight	Shipping Weight
EHS8000-2-H	13.1 kg (28.9 lb)	15.1 kg (33.3 lb)
EHS8000-3-H	13.23 kg (29.2 lb)	15.23 kg (33.6 lb)
EHS8000-P-H	13.23 kg (29.2 lb)	15.23 kg (33.6 lb)
EMS8000	2.03 kg (4.5 lb)	2.4 kg (5.3 lb)
EPS8000	0.85 kg (1.9 lb)	1.0 kg (2.2 lb)

## RECOMMENDED CAMERAS

Sarix® Enhanced Next Generation Series

 VALUES IN PARENTHESES ARE INCHES; ALL OTHERS ARE CENTIMETERS.



# TECHNICAL SPECIFICATIONS

## MODELS

Model Number	Heater / Blower	24 VAC	230 VAC w/12 VDC to camera	HPOE input with POE output to camera
EHS8000-2-H	•	•		
EHS8000-3-H	•		•	
EHS8000-P-H	•			•

## OPTIONAL ACCESSORIES

### POWER SUPPLIES

#### Indoor/Outdoor 24 VAC

WCS1-4	Outdoor, 1 output, 4 A (100 VA) capacity
WCS4-20B	Outdoor, 4 outputs, 20 A (480 VA) capacity
MCS4-2B	Indoor, 4 outputs, 2 A (48 VA) capacity
MCS8-5B	Indoor, 8 outputs, 5 A (120 VA) capacity
MCS16-10	Indoor, 16 outputs, 10 A (240 VA) capacity
MCS16-10SB	Same as above except with circuit breakers
MCS16-20	Indoor, 16 outputs, 20 A (480 VA) capacity
MCS16-20SB	Same as above except with circuit breakers

#### Indoor PoE

POE90U1BT	HPoE, IEEE802.3BT, midspan injector (no power cord)
POE90U1BT-US	HPoE, IEEE802.3BT, midspan injector (US power cord)
POE90U1BT-EUK	HPoE, IEEE802.3BT, midspan injector (EU/UK power cord)

**Note:** The "EUK" or "US" suffix indicates a European or US power cord.

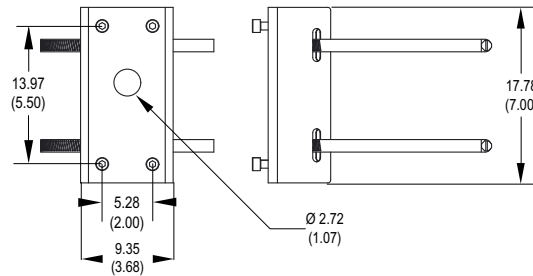
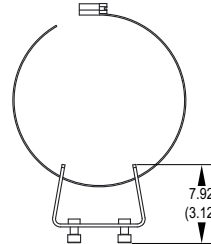
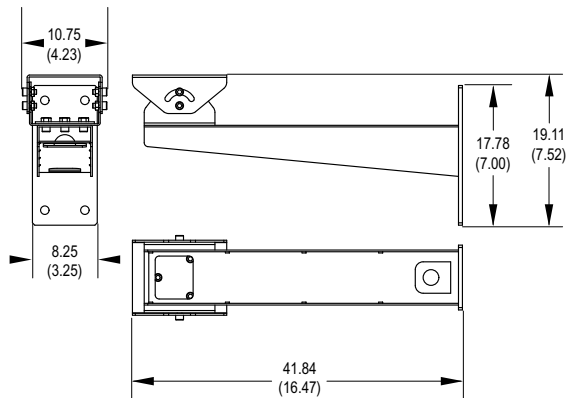
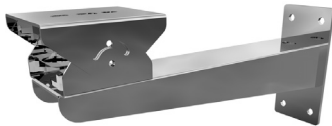
## OPTIONAL MOUNTS

EMS8000	Wall mount
EPS8000	Pole mount bracket

### EPS8000 Pole Mount Bracket



### EMS8000 Wall Mount



**▲ WARNING:** Cancer and Reproductive Harm - [www.P65Warnings.ca.gov](http://www.P65Warnings.ca.gov).  
**▲ ADVERTENCIA:** Cáncer y Daño Reproductivo - [www.P65Warnings.ca.gov](http://www.P65Warnings.ca.gov).  
**▲ AVERTISSEMENT:** Cancer et Troubles de l'appareil reproducteur - [www.P65Warnings.ca.gov](http://www.P65Warnings.ca.gov).

### Pelco, Inc.

625 W. Alluvial Ave., Fresno, California 93711 United States

**USA & Canada** Tel (800) 289-9100 Fax (800) 289-9150

**International** Tel +1 (559) 292-1981 Fax +1 (559) 348-1120

[www.pelco.com](http://www.pelco.com)

Pelco, the Pelco logo, and other trademarks associated with Pelco products referred to in this publication are trademarks of Pelco, Inc. or its affiliates. ONVIF and the ONVIF logo are trademarks of ONVIF Inc. All other product names and services are the property of their respective companies. Product specifications and availability are subject to change without notice. ©Copyright 2019, Pelco, Inc. All rights reserved.