

- NOTES:**
1. INSTALLATION SHALL COMPLY WITH ALL APPLICABLE NATIONAL, STATE AND LOCAL ELECTRICAL REGULATIONS.
 2. REFER TO PRODUCT DOCUMENTATION FOR ADDITIONAL DETAILS PRIOR TO INSTALLATION AND SITE PREPARATION WORK.
 3. ALL DIMENSIONS ARE IN MILLIMETERS [INCHES].
 4. FRONT AND REAR ACCESS REQUIRED FOR SERVICE. MINIMUM REQUIRED FRONT/REAR CLEARANCE IS 36.0 [914].
 5. NET WEIGHT OF THE EMPTY UNIT IS 85.2 kg [187.83 lb].
 6. LOADING CAPACITY:
 - a) STATIC LOAD: 1200kg [2645.5 lb].
 - b) DYNAMIC LOAD: 600kg [1322.7 lb]
 7. TOP AND BOTTOM CABLE ENTRY USING APPROPRIATE CUSTOMER PROVIDED SOLUTION.
 8. COLOR: BLACK.

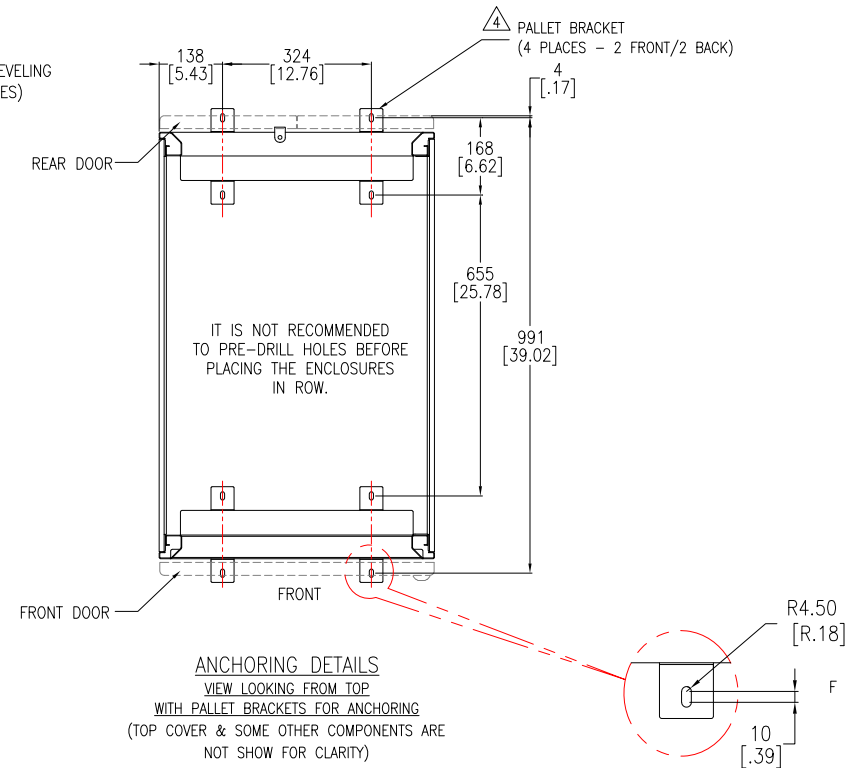
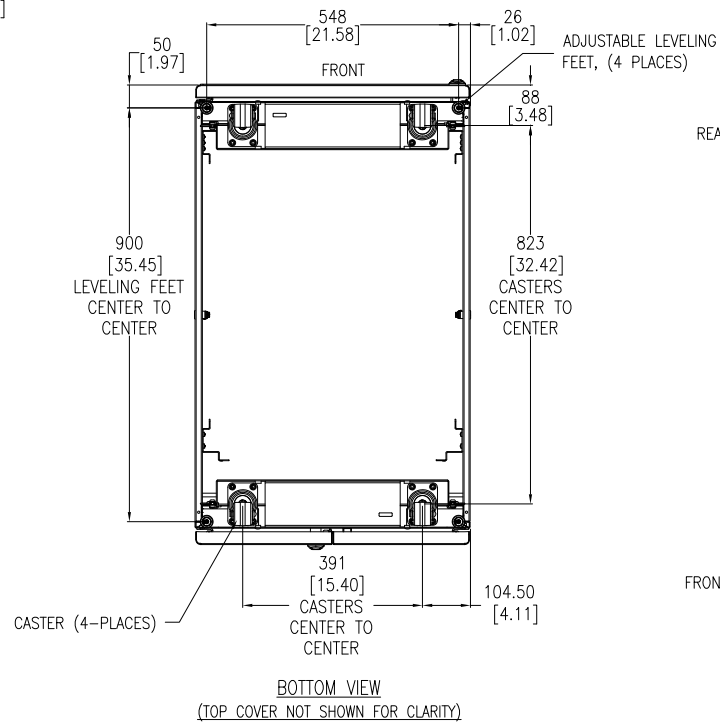
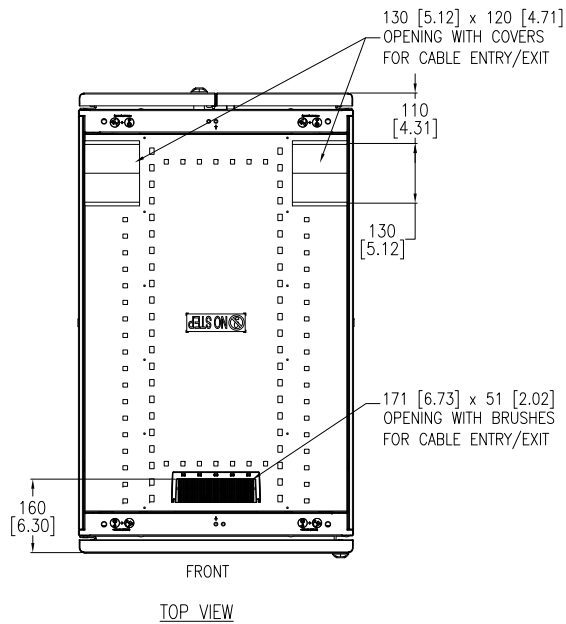
THIS DRAWING AND SPECIFICATIONS HEREIN ARE THE PROPERTY OF SCHNEIDER ELECTRIC AND SHALL NOT BE COPIED, REPRODUCED OR USED IN WHOLE OR IN PART, AS THE BASIS FOR THE MANUFACTURE OR SALE OF ITEMS WITHOUT WRITTEN PERMISSION FROM SCHNEIDER ELECTRIC. THIS DRAWING IS BASED UPON LATEST AVAILABLE INFORMATION AND IS SUBJECT TO CHANGE WITHOUT NOTICE.

Schneider Electric

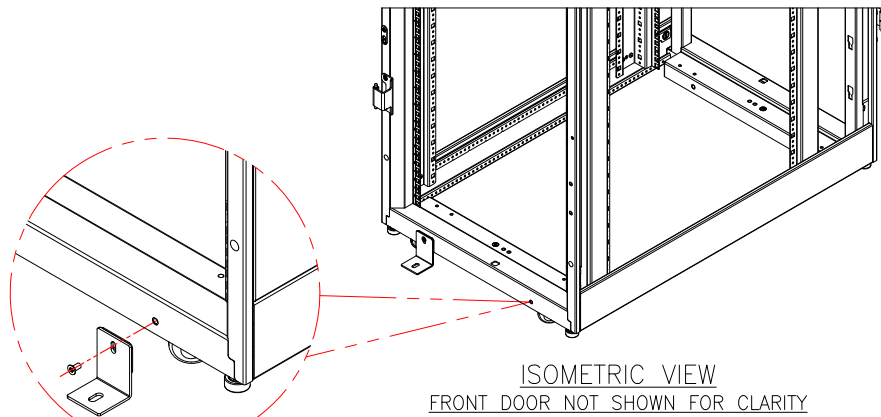
TITLE: Easy RACK 48U
 600mm W x 1000mm D w/o Side panels
 GENERAL ARRANGEMENT

DWG NO: ER6800 REV. 0
 DRAWN BY: JAYAPRAKASH 29-APR-21 FIRST ANGLE
 ENGINEER: Wenjuan JIA/Xiaoying ZENG 29-APR-21 PROJECTION
 APPROVED BY: Dazhang-Ivan SHI 29-APR-21

PROJECT: SUBMITTAL DRAWINGS SHEET 1 OF 3



STABILIZING THE ENCLOSURE:
TO PREVENT THE ENCLOSURE FROM MOVING FROM ITS FINAL LOCATION (IF NOT JOINED WITH ANOTHER COMPONENT, USE PALLET/ANCHORING BRACKET) ATTACH THE PALLET/ANCHORING BRACKETS TO THE ENCLOSURE AS SHOWN. USE CODE COMPLIANT FASTENERS TO SECURE THE ENCLOSURE TO THE FLOOR.



(4 PLACES - 2-FRONT/2-BACK)
ENLARGED VIEW

- NOTES:
1. INSTALLATION SHALL COMPLY WITH ALL APPLICABLE NATIONAL, STATE AND LOCAL ELECTRICAL REGULATIONS.
 2. REFER TO PRODUCT DOCUMENTATION FOR ADDITIONAL DETAILS PRIOR TO INSTALLATION AND SITE PREPARATION WORK.
 3. ALL DIMENSIONS ARE IN MILLIMETERS [INCHES].
 - △ 4. PALLET/ANCHORING BRACKETS ARE PROVIDED WITH THE ENCLOSURE AND ARE SECURED TO THE ENCLOSURE AND PALLET FOR SHIPMENT. RETAIN THE PALLET BRACKETS FROM SHIPMENT. THESE BRACKETS ARE USED TO ANCHOR THE ENCLOSURE ONCE INSTALLED. PALLET/ANCHORING BRACKETS CAN BE INSTALLED EITHER INSIDE OR OUTSIDE THE EASY RACK WITH TWO AT FRONT AND TWO IN BACK.

THIS DRAWING AND SPECIFICATIONS HEREIN ARE THE PROPERTY OF SCHNEIDER ELECTRIC AND SHALL NOT BE COPIED, REPRODUCED OR USED IN WHOLE OR IN PART, AS THE BASIS FOR THE MANUFACTURE OR SALE OF ITEMS WITHOUT WRITTEN PERMISSION FROM SCHNEIDER ELECTRIC. THIS DRAWING IS BASED UPON LATEST AVAILABLE INFORMATION AND IS SUBJECT TO CHANGE WITHOUT NOTICE.

Schneider Electric

TITLE: Easy RACK 48U
600mm W x 1000mm D w/o Side panels
TOP/BOTTOM & ANCHORING DETAILS

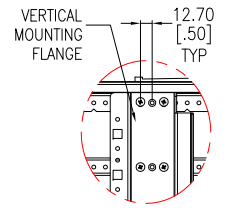
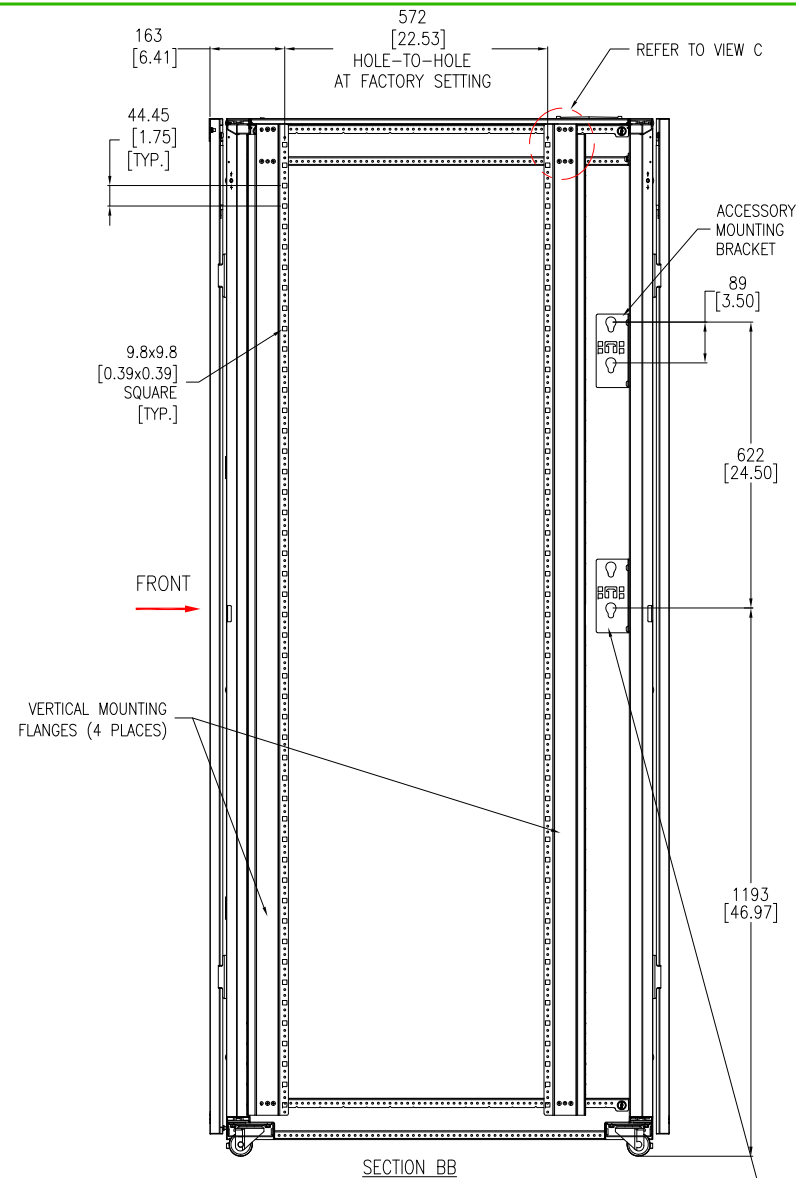
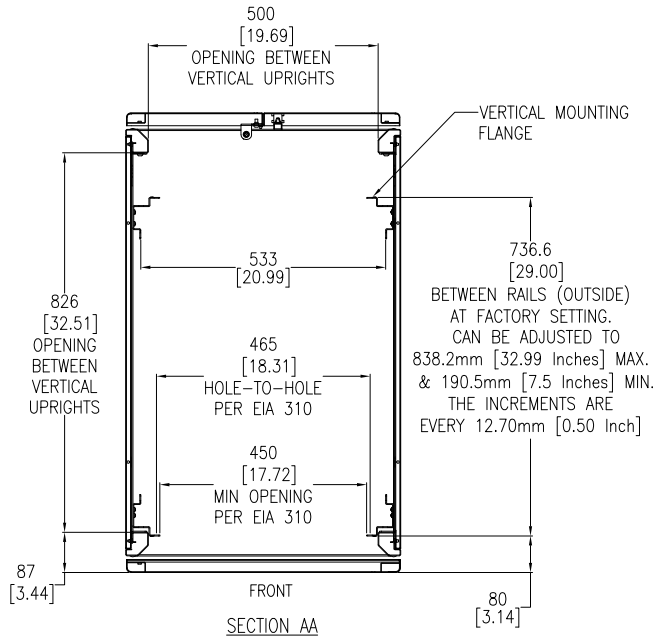
DWG NO: ER6800 REV. 0

DRAWN BY: JAYAPRAKASH 29-APR-21 FIRST

ENGINEER Wenjuan JIA/Xiaoqing ZENG 29-APR-21 ANGLE

APPROVED BY: Dazhang-Ivan SHI 29-APR-21 PROJECTION

PROJECT: SUBMITTAL DRAWINGS SHEET 2 OF 3



DEFAULT MOUNTING POSITION OF ACCESSORY MOUNTING BRACKETS SHOWN. THERE ARE 14 POSITIONS ON EACH SIDE OF THE ENCLOSURE FOR INSTALLING ACCESSORY MOUNTING BRACKETS ON ANY OF THE 2 ADJACENT MOUNTING HOLES. HOWEVER IT IS POSSIBLE TO MOUNT A MAXIMUM OF 7 ACCESSORY MOUNTING BRACKETS ON ONE SIDE. 4 ACCESSORY MOUNTING BRACKETS ARE PROVIDED WITH THE ENCLOSURE, 2 ON THE RIGHT SIDE AND 2 ON THE LEFT SIDE OF REAR OF THE UNIT LOCATED AS SHOWN. OTHER BRACKETS ARE AVAILABLE FOR PURCHASE AS SKU ER7PDUBRKTS.

- NOTES:
1. INSTALLATION SHALL COMPLY WITH ALL APPLICABLE NATIONAL, STATE AND LOCAL ELECTRICAL REGULATIONS.
 2. REFER TO PRODUCT DOCUMENTATION FOR ADDITIONAL DETAILS PRIOR TO INSTALLATION AND SITE PREPARATION WORK.
 3. ALL DIMENSIONS ARE IN MILLIMETERS [INCHES].

THIS DRAWING AND SPECIFICATIONS HEREIN ARE THE PROPERTY OF SCHNEIDER ELECTRIC AND SHALL NOT BE COPIED, REPRODUCED OR USED IN WHOLE OR IN PART, AS THE BASIS FOR THE MANUFACTURE OR SALE OF ITEMS WITHOUT WRITTEN PERMISSION FROM SCHNEIDER ELECTRIC. THIS DRAWING IS BASED UPON LATEST AVAILABLE INFORMATION AND IS SUBJECT TO CHANGE WITHOUT NOTICE.

Schneider Electric

TITLE: Easy RACK 48U
600mm W x 1000mm D w/o Side panels
SECTION VIEWS

PROJECT: SUBMITTAL DRAWINGS SHEET 3 OF 3

DWG NO: ER6800 REV. 0

DRAWN BY: JAYAPRAKASH	29-APR-21	FIRST ANGLE PROJECTION
ENGINEER: Wenjuan JIA/Xiaoying ZENG	29-APR-21	
APPROVED BY: Dazhang-Ivan SHI	29-APR-21	