

PowerWalker VFI ICT/ICR IoT Series

USER MANUAL



Service and support:

Call your local service representative

SAFETY INSTRUCTIONS

SAVE THESE INSTRUCTIONS. This manual contains important instructions that should be followed during installation and maintenance of the UPS and batteries.

UPS Tower models are considered acceptable for use in the ambient of 0 ~ 45°C;

UPS RT models are considered acceptable for use in the ambient of 0 ~ 40°C;

Certification standards

- Safety: IEC/EN 62040-1
- EMC: IEC/EN 62040-2
- Performance: IEC/EN 62040-3.
- ISO 9001:2015.
- ISO 14001:2015.

Special symbols



RISK OF ELECTRIC SHOCK - Observe the warning associated with the risk of electric shock symbol.



Important instructions that must always be followed.



EU separate collection and lead content mark for lead acid batteries. Indicates that the battery must not be disposed of to the 'normal' household waste but be separately collected and recycled.

Pb



EU separate collection mark for waste electrical and electronic equipment (WEEE). Indicates that the item must not be disposed of to the 'normal' household waste but be separately collected and recycled.



Information, advice, help.



Refer to the user manual.

Safety of persons

- Dangerous voltage levels are present within the system. It should be opened exclusively by qualified service personnel.
- The system must be properly grounded.
- The battery supplied with the system contains small amounts of toxic materials. To avoid accidents, the directives listed below must be observed:
 - Servicing of batteries should be performed or supervised by personnel

knowledgeable about batteries and the required precautions.

- Risk of explosion if battery is replaced by an incorrect type. When replacing batteries, replace with the same type and number of batteries or battery packs. Instructions shall carry sufficient information to enable the replacement of the battery with a suitable recommended type.
- **CAUTION:** Do not dispose of batteries in a fire. The batteries may explode. Dispose of used batteries according to the instructions.
- Do not open or mutilate batteries. Released electrolyte is harmful to the skin and eyes. It may be toxic.
- **CAUTION** – A battery can present a risk of electrical shock and high short circuit current. The following precautions should be observed when working on batteries:
 - Remove watches, rings, or other metal objects.
 - Use tools with insulated handles.
 - Wear rubber gloves and boots.
 - Do not lay tools or metal parts on top of batteries.
 - Disconnect charging source prior to connecting or disconnecting battery terminals.
 - Determine if battery is inadvertently grounded. If inadvertently grounded, remove source from ground. Contact with any part of a grounded battery can result in electrical shock. The likelihood of such shock can be reduced if such grounds are removed during installation and maintenance.
 - Failed batteries can reach temperatures that exceed the burn thresholds for touchable surfaces

Product safety


- The UPS connection instructions and operation described in the manual must be followed in the indicated order.
- UPS enclosure IP rating IP20.
- CAUTION - To reduce the risk of fire, the unit connects only to a circuit provided with branch circuit overcurrent protection for:
20A rating, for Tower 3ks models, trip curve C .
The upstream circuit breaker for Normal AC/Bypass AC must be easily accessible.
- for PERMANENTLY CONNECTED EQUIPMENT, a readily accessible disconnect device shall be incorporated external to the equipment
- for PLUGGABLE EQUIPMENT, the socket-outlet shall be installed near the equipment and shall be easily accessible
- Check that the indications on the rating plate correspond to your AC powered system

and to the actual electrical consumption of all the equipment to be connected to the system.

- Never install the system near liquids or in an excessively damp environment.
- Never let a foreign body penetrate inside the system.
- Never block the ventilation grates of the system.
- Never expose the system to direct sunlight or source of heat.
- If the system must be stored prior to installation, storage must be in a dry place.
- The admissible storage temperature range is -25°C to +55°C without batteries, 0°C to +40°C with batteries, suggest to storage the battery below 25°C.
- This UPS can be used in TN/IT/TT power system

Special precautions

- The unit is heavy: wear safety shoes and use vacuum lifter preferentially for handling operations.
- All handling operations will require at least two people (unpacking, lifting, installation in rack system).
- Before and after the installation, if the UPS remains de-energized for a long period, the UPS must be energized for a period of 24 hours, at least once every 6 months (for a normal storage temperature less than 25°C). This charges the battery, thus avoiding possible irreversible damage.
- During the replacement of the Battery Module, it is imperative to use the same type and number of elements as the original Battery Module provided with the UPS to maintain an identical level of performance and safety.

 This is a category C2 UPS product. In a residential environment, this product may cause radio interference, in which case the user may be required to take additional measures.

Contents

1	Introduction	1
1.1	Electronic equipment protection	1
1.2	Environmental protection	2
2	Product Overview	3
2.1	Weight and Dimension	3
2.2	Rear panels	5
3	Installation	9
3.1	Inspecting the equipment	9
3.2	Checking the accessory kit	9
3.3	Install the Unit	11
3.4	Connecting the EBM(s)	14
4	Operation	16
4.1	LCD panel	16
4.2	LCD description	17
4.3	Display functions	19
4.4	User settings	19
4.5	Starting the UPS with utility	20
4.6	Starting the UPS on Battery	21
4.7	UPS Shutdown	21
5	Communication	22
5.1	RS232 and USB	22
5.2	UPS remote control functions	22
5.3	IoT	23
5.4	Modbus TCP	24
5.5	Intelligent Card (Optional)	24
5.6	UPS Management Software	25
6	UPS maintenance	27
6.1	Equipment care	27
6.2	Transporting the UPS	27
6.3	Storing the equipment	27
6.4	Replacing batteries	27
6.5	Recycle	29
7	Troubleshooting	30
8	Specifications	32
8.1	UPS Block Diagram	32
8.2	UPS Specification	32

1 Introduction

Thank you for selecting PowerWalker VFI ICT/ICR IoT UPS to protect your electrical equipment. We recommend that you take the time to read this manual to take full advantage of the many features of the UPS (Uninterruptible Power System).

Before installing the UPS, please read the booklet presenting the safety instructions. Then follow the indications in this manual.

1.1 Electronic equipment protection

The UPS protects your sensitive electronic equipment from the most common power problems, including power failures, power sags, power surges, brownouts, line noise, high voltage spikes, frequency variations, switching transients, and harmonic distortion.

Special characteristic:

- *Double converter with pure sine waveform output*
- *Full digital control*
- *Higher power density, and output PF = 1*
- *Wider input voltage range: 110Vac~300Vac*
- *Higher efficiency: 93% for 2K/3k, 89% for 1k*
- *Input THDI<5%*
- *Bigger charger current for long backup mode:8A, adjustable from 2A to 8A through LCD*
- *EBM quantity auto detection*
- *Communication ports: RPO, Dry in, Dry out, intelligent slot, USB, RS232*
- *IoT: Ethernet(default) and Wireless (Optional)*
- *Dot-matrix LCD, it supports Multi-Language*
- *ECO Mode*
- *Start-able without battery.*

1.2 Environmental protection

Products are developed according to an eco-design approach.

Substances

This product does not contain CFCs, HCFCs or asbestos.

Packing

To improve waste treatment and facilitate recycling, separate the various packing components.

- The cardboard we use comprises over 50% of recycled cardboard.
- Sacks and bags are made of polyethylene.
- Packing materials are recyclable.

Follow all local regulations for the disposal of packing materials.

Product

The product is mainly made up of recyclable materials.

Dismantling and disassembly must take place in compliance with all local regulations concerning waste. At the end of its service life, the product must be transported to recycling centers, re-use and treatment facilities for waste electrical and electronic equipment (WEEE).

Battery

The product contains lead-acid batteries that must be processed according to applicable local regulations concerning batteries.

The battery may be removed to comply with regulations and in view of correct disposal.

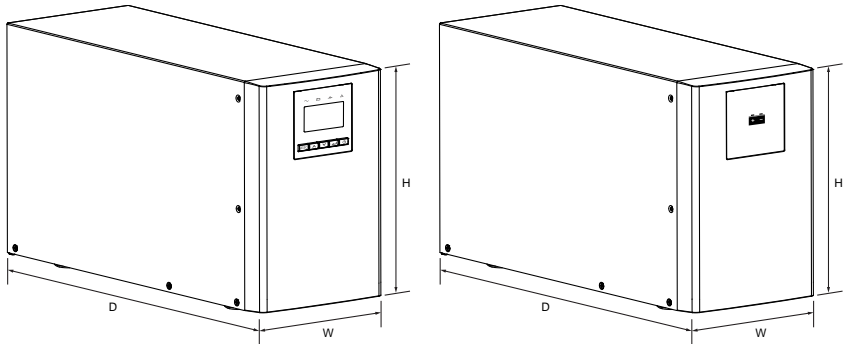
2 Product Overview

2.1 Weight and Dimension



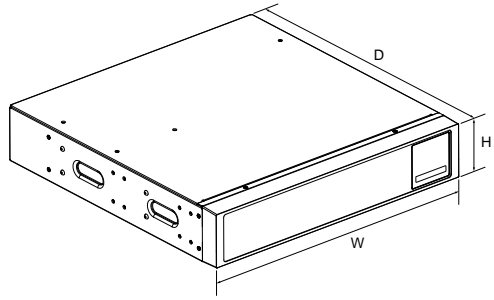
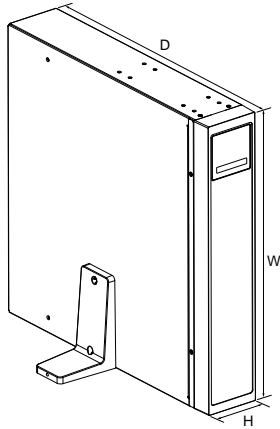
The weights in this table is reference only, please see the labels on the carton for details.

Tower models:



Description	Net Weights (kg)	Dimensions: D x W x H (mm)
Tower 1K	12.8	404 X 145 X 220
Tower 1KS	6.4	404 X 145 X 220
Tower 1.5K	14.3	404 X 145 X 220
Tower 1.5KS	6.7	404 X 145 X 220
Tower 2K	26.0	428 X 192 X 318
Tower 2KS	11.0	428 X 192 X 318
Tower 3K	26.4	428 X 192 X 318
Tower 3KS	11.4	428 X 192 X 318
Tower 36V EBM	16.8	404 X 145 X 220
Tower 72V EBM	38.7	428 X 192 X 318

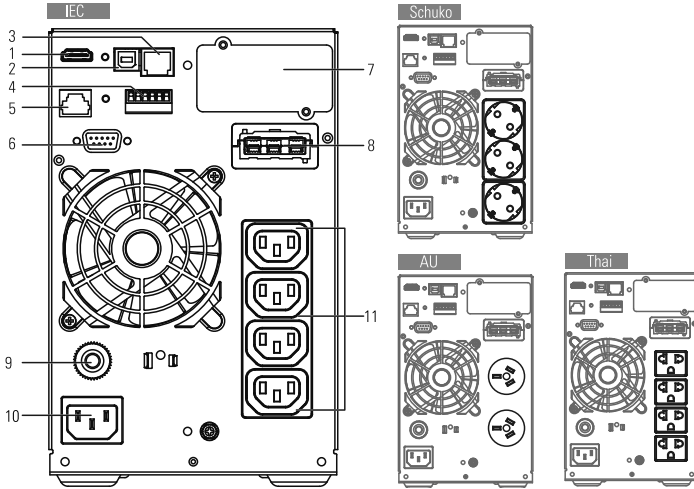
RT models



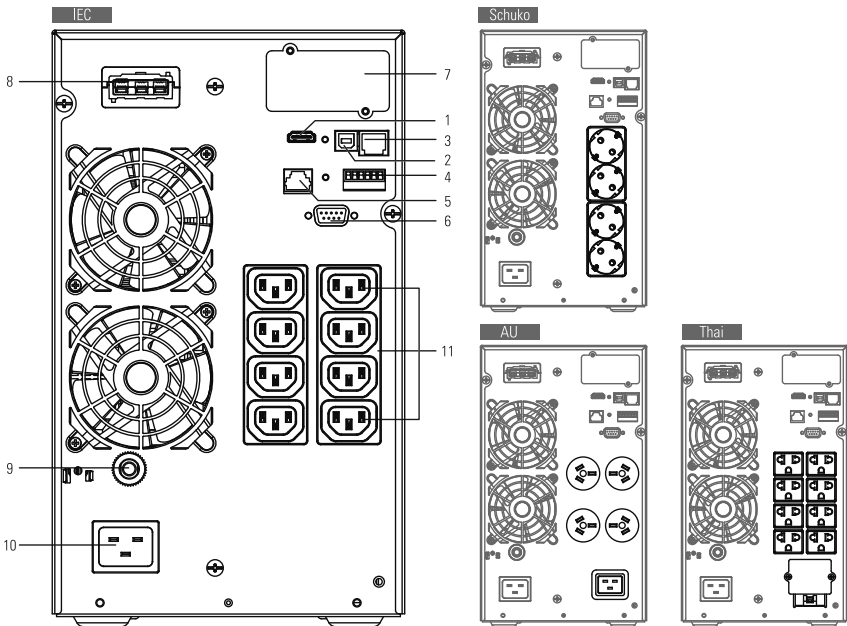
Description	Net Weights (kg)	Dimensions: D x W x H (mm)
RT 1K	14.3	445*438*85.5
RT 1KS	8.0	445*438*85.5
RT 1.5K	15.8	445*438*85.5
RT 1.5KS	8.2	445*438*85.5
RT 2K	23.3	600*438*85.5
RT 2KS	10.6	600*438*85.5
RT 3K	26.2	600*438*85.5
RT 3KS	11.0	600*438*85.5
RT 36V EBM	22.6	445*438*85.5
RT 72V EBM	39.9	600*438*85.5

2.2 Rear panels

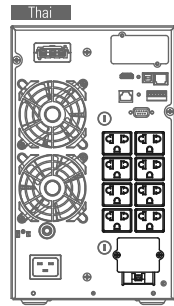
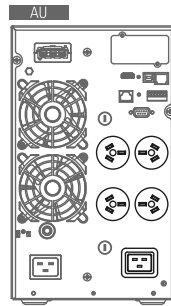
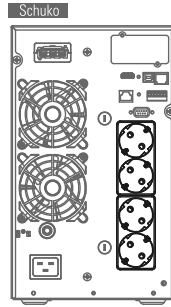
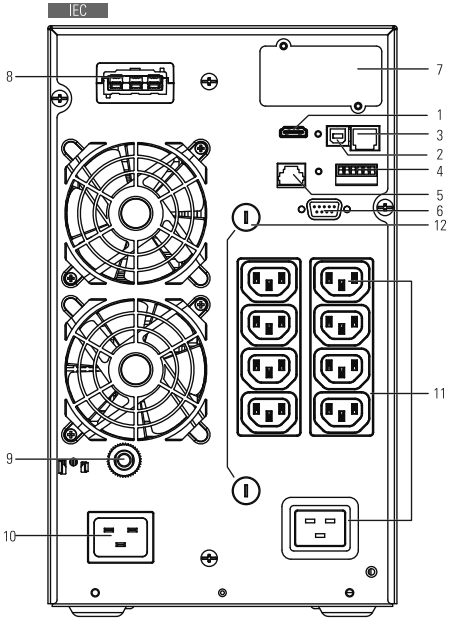
Tower 1K/1KS/1.5K/1.5KS



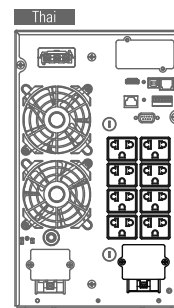
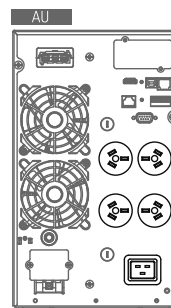
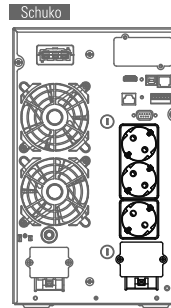
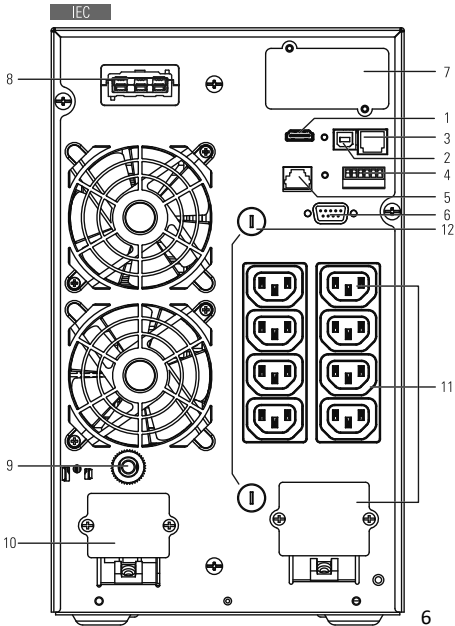
Tower 2K/2KS



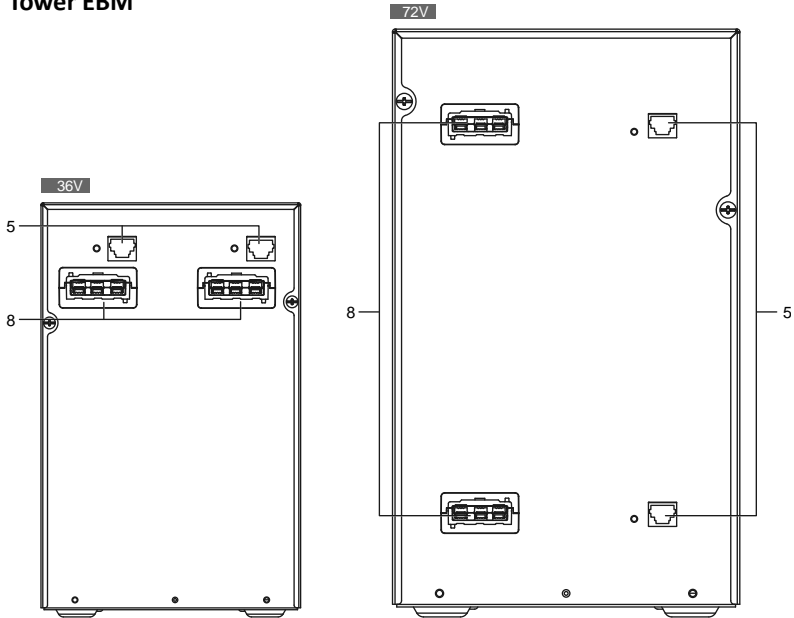
Tower 3K



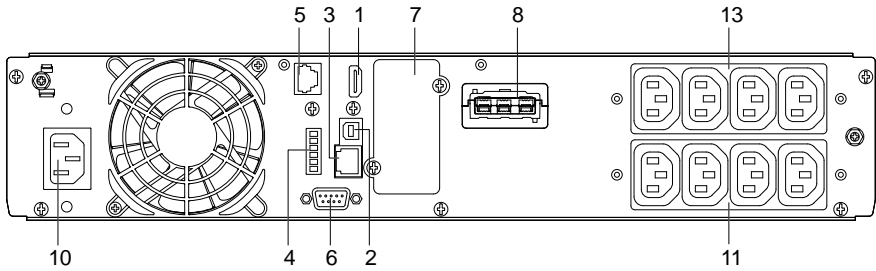
Tower 3KS



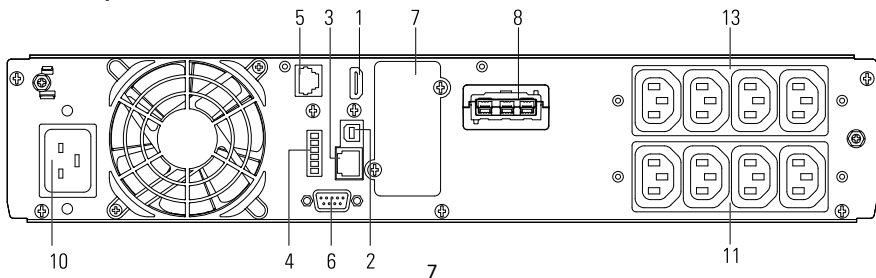
Tower EBM



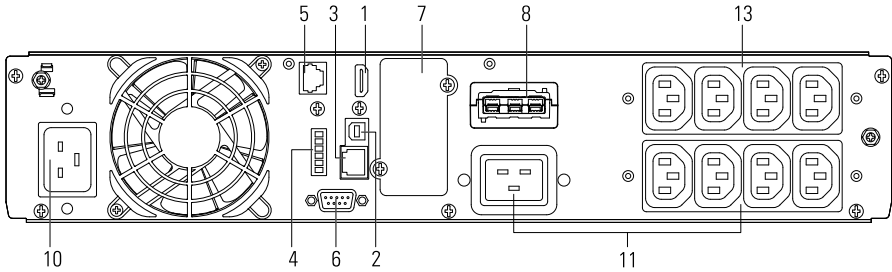
RT 1K/1KS/1.5k/1.5KS



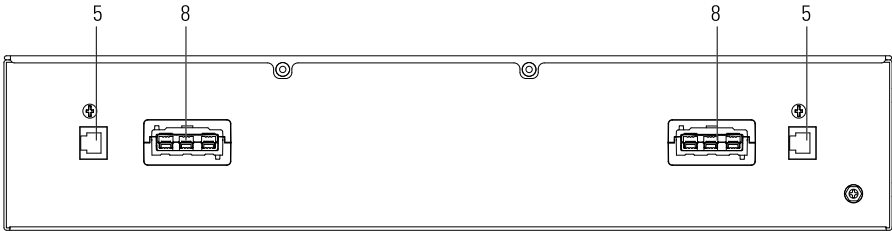
RT 2K/2KS



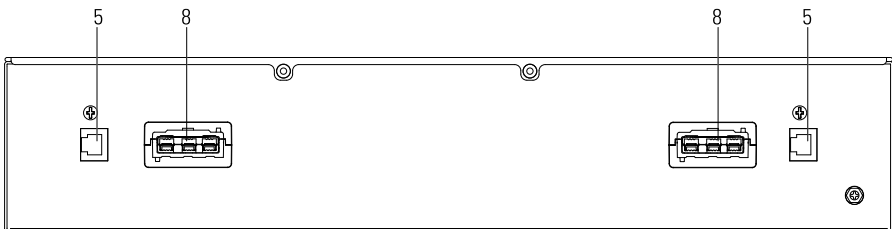
RT 3K/3KS



RT 36V EBM



RT 72V EBM



1	WLAN(HDMI)	2	USB	3	Ethernet (RJ45)
4	RPO/Dry in/Dry out	5	EBM auto detection	6	RS232
7	Slot Card Box	8	EBM Connector	9	Input Breaker(optional)
10	Input Socket/ Input Terminal	11	Output Socket/ Output Terminal	12	Output Fuse (optional)
13	Programmable Output Socket				

3 Installation

3.1 Inspecting the equipment



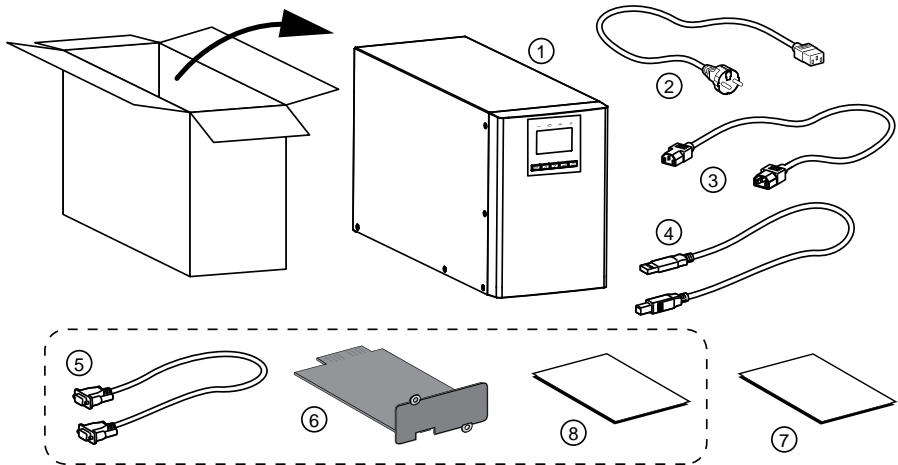
If any equipment has been damaged during shipment, keep the shipping cartons and packing materials for the carrier or place of purchase and file a claim for shipping damage. If you discover damage after acceptance, file a claim for concealed damage.

To file a claim for shipping damage or concealed damage:

1. File with the carrier within 15 days of receipt of the equipment;
2. Send a copy of the damage claim within 15 days to your service representative.

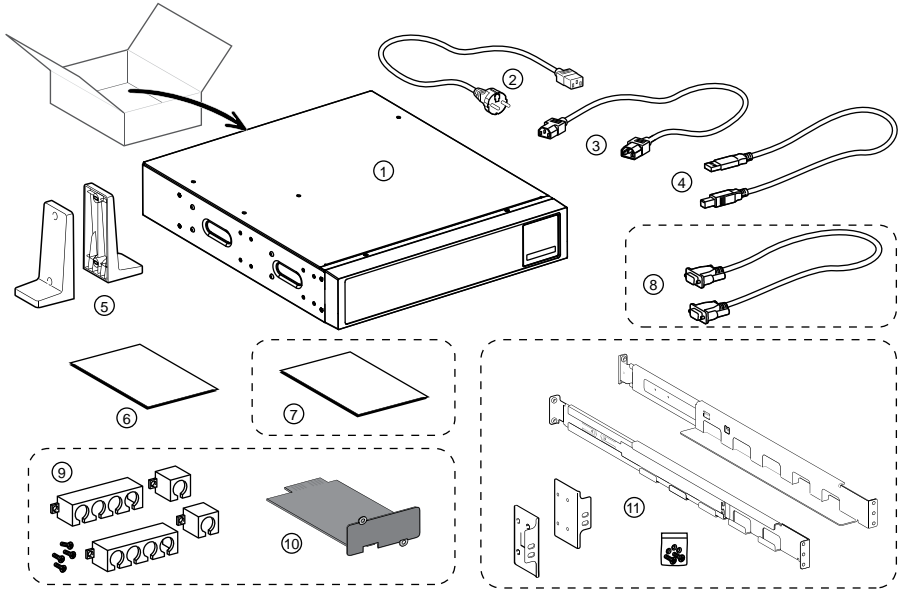
3.2 Checking the accessory kit

Tower model



1	UPS	2	Input cable (Except for 3KS models)	3	Output cable (only for IEC models)
4	USB cable	5	RS232 cable (optional)	6	Slot card (optional)
7	User manual (English)	8	User manual (Multi-Language) (optional)		

RT model



1	UPS	2	Input cable	3	Output cables
4	USB cable	5	Tower stands	6	User manual (English)
7	User manual (Multi-Language) (optional)		8	RS232 cable (optional)	
9	Cable lockers (optional)	10	Slot card (optional)	11	Rail kit (optional)

3.3 Install the Unit



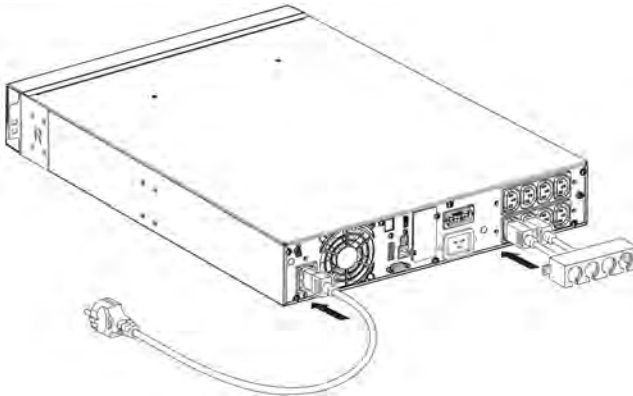
Always keep 200 mm of free space behind the UPS rear panel.



Check that the indications on the name plate located on the top cover of the UPS meets to the AC-power source and the true electrical consumption of the total load.



1. Connect the UPS input socket to the AC-power source using the cable of the protected equipment.
2. Connect the loads to the UPS using the cables.

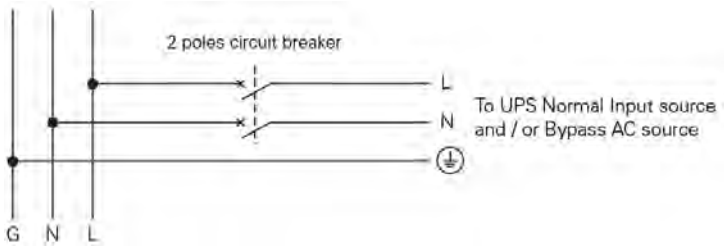


Note: The UPS charges the battery as soon as it is connected to the AC-power source, even if button is not pressed.

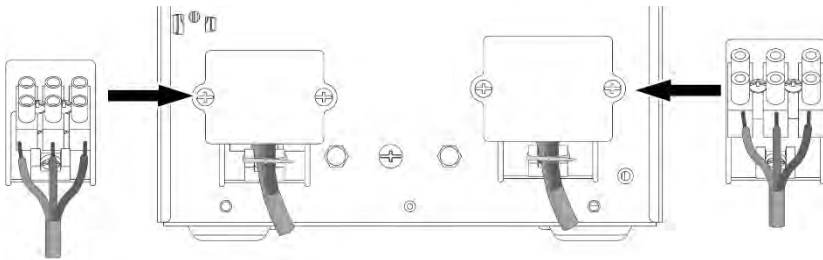
Once the UPS is connected to the AC-power source, 8 hours of charging are required before the battery can supply the rated backup time.

- Recommended upstream protection

UPS model	Upstream circuit breaker
Tower 3KS	C curve-20A



- Input terminal and output terminal connection:



Tower 3KS	Minimum of section required/ Torque	Terminal-block capacity
Input L, N, G conductor cross section	2.5 mm ² /(0.3 N·m)	4 mm ²
Output L, N, G conductor cross section	4 mm ² /(0.8 N·m)	10 mm ²

Note: For Tower 3KS, the output cable should less than 3m.

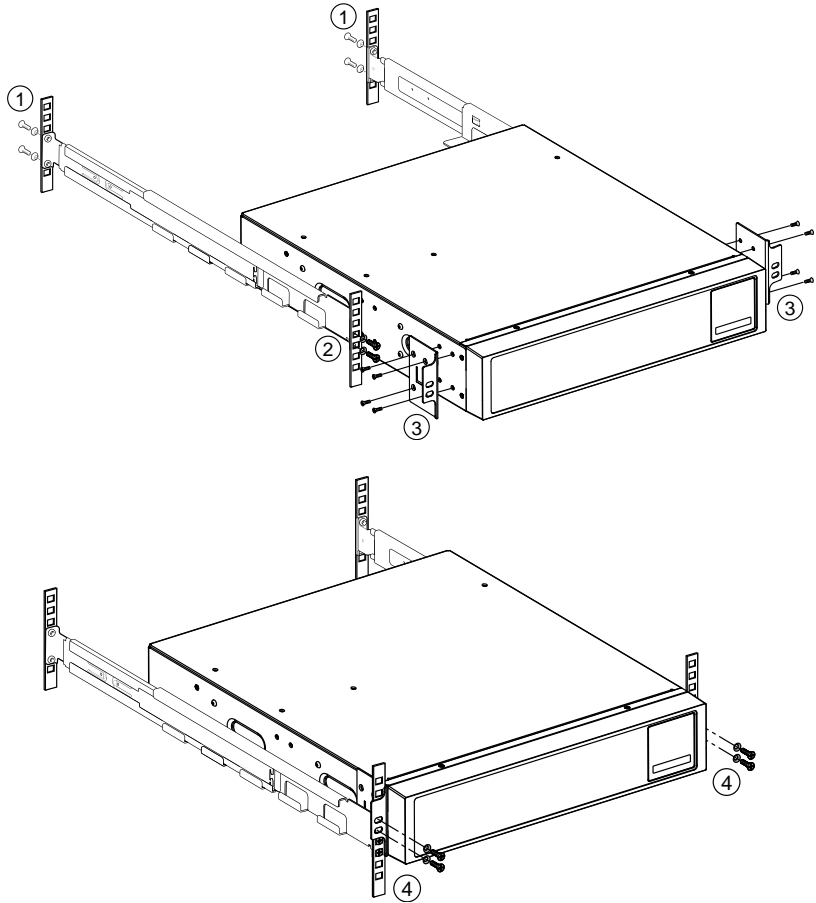


When the cables connected to terminal block, the inner copper wire must not be exposed to avoid the risk of electric shock.

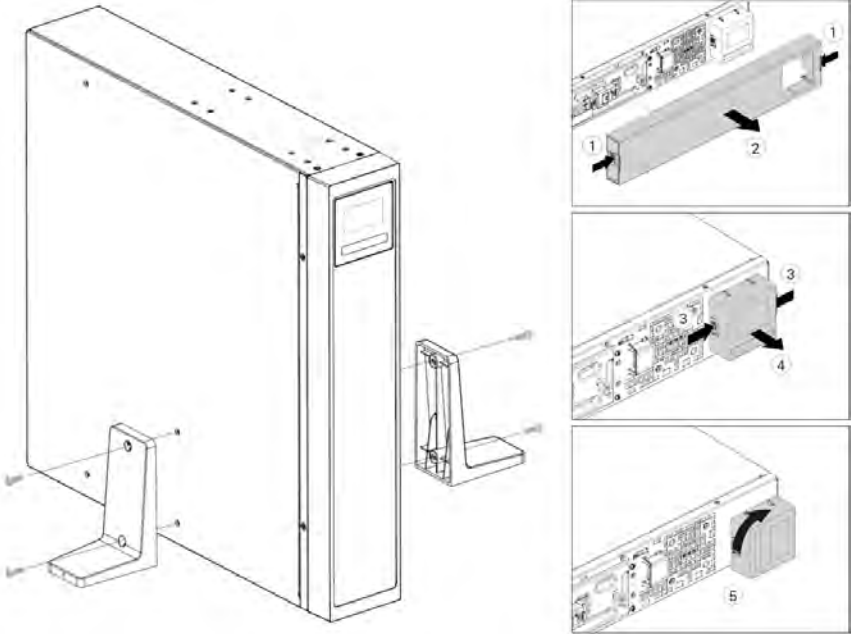
3.3.1 RT models

- **Rack installation**

Follow steps 1 to 4 for module mounting on the rails.



● **Tower installation**



3.4 Connecting the EBM(s)

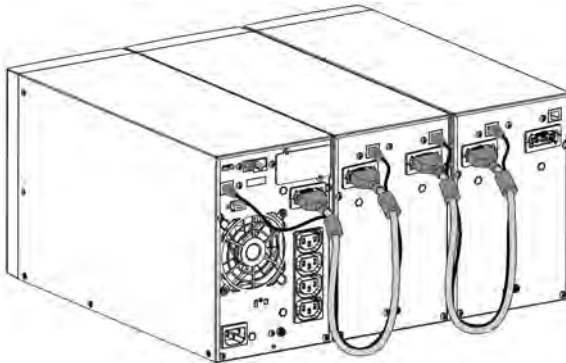


A small amount of arcing may occur when connecting an EBM to the UPS. This is normal and will not harm personnel.

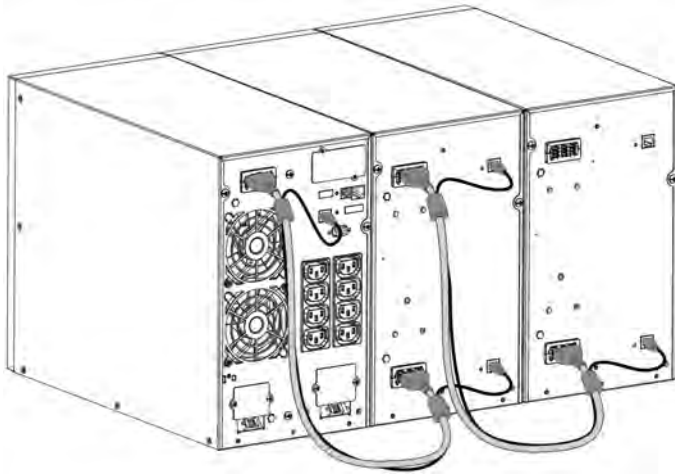
Up to 4 EBMs can be connected to the UPS.

3.4.1 Tower models

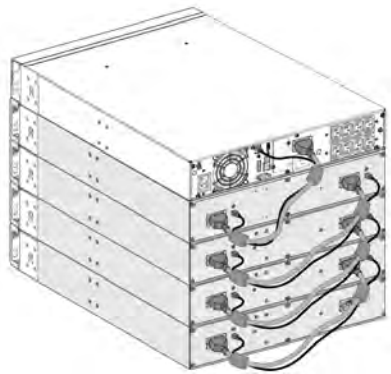
1k/1.5k



2k/3k



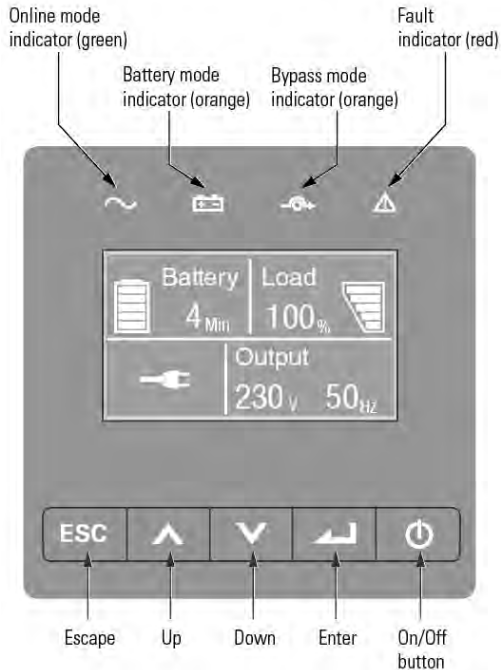
3.4.2 RT models



4 Operation

4.1 LCD panel






The UPS provides useful information about the UPS itself, load status, events, measurements and settings.



The following table shows the indicator status and description:

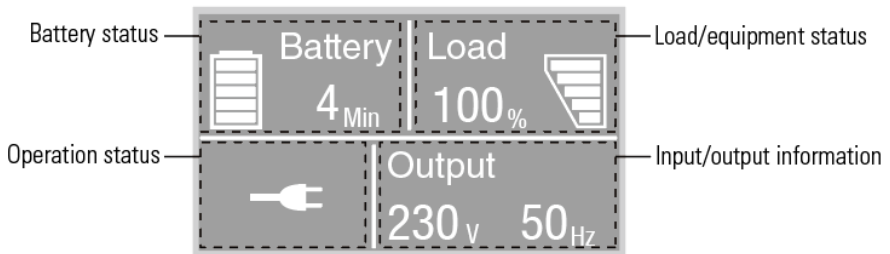
Indicator	Status	Description
Green	On	The UPS is operating normally on Online or on High Efficiency mode.
Yellow	On	The UPS is on Battery mode.
Yellow	On	The UPS is on Bypass mode.
Red	On	The UPS has an active alarm or fault. See Chapter 7 troubleshooting for additional information.




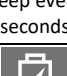
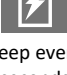






The following table shows the indicator status and description:

The button	Function	Illustration
	Power on	Press the Button for >100ms & < 1s can power on the UPS without utility input at the condition of battery connected
	Turn on	When the Unity is powered on, press the button for >1s can turn on the UPS
	Turn off	Press the button > 3s can turn off the UPS
	Scroll up	Press to Scroll up the menu option
	Scroll down	Press to Scroll down the menu option
	Enter menu	Select/Confirm the current selection
	Exit the present menu	Press to exit present menu to Main menu or the higher-level menu without changing a setting
	Mute buzzer	Press the button to mute the buzzer temporarily, once new warning or fault is active, buzzer will work again

4.2 LCD description

The LCD backlight automatically dims after 10 minutes of inactivity. Press any button to restore the screen.



Operation status	Cause	Description
	Standby mode	The UPS is Off without output.
	Online mode	The UPS is operating normally and protecting the equipment.
 1 beep every 4 seconds	Battery mode	A utility failure has occurred, and the UPS is powering the equipment with battery. Prepare your equipment for shutdown.
 1 beep every 1 seconds	Battery mode with battery low	This warning is approximate, and the actual time to shutdown may vary significantly.
	High Efficiency mode	Once the mains are loss or abnormal, the UPS would transfer to Line mode or Battery mode and the load is supplied continuously.
	Converter mode	The UPS would free run with fixed output frequency (50Hz or 60Hz). The load should be derating to 60% in converter mode.
	Bypass mode	Overload or fault has occurred, or a command has been received, and the UPS is in Bypass mode.
	Battery test	UPS is executing a battery test
	Battery fail	The UPS detects bad battery or battery disconnected
	Overload	Some unnecessary loads should be cut off to reduce the load.
	Fault mode	Some fatal problems happened.

4.3 Display functions

When starting the UPS, the display is in the default UPS status summary screen.

Main menu	Submenu	Display information or Menu function
UPS status		UPS mode, IoT status, date/time, battery status and current alarms
Event log		Displays the events and faults stored
Measurements		[Load] W VA A P%, [Input/Output] V Hz, [Battery] % min V EBM, [DC Bus] V, [Temperature] C
Control	Go to Bypass	Transfers the UPS on Bypass mode
	Load segment	Load segment on/off
	Start battery test	Starts a manual battery test
	Reset fault state	Clear active fault
	Reset event list	Clear events and faults
	Reset com card	Reset com card inside UPS
	Restore factory settings	Restore to default factory settings
Settings		Refer to chapter 4.4 User settings
Identification		[Product name], [Serial number], [firmware version], [IP/MAC address]

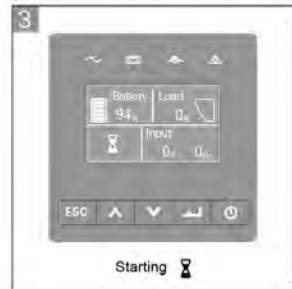
4.4 User settings

Submenu	Available settings	Default settings
Password	Can be changed by user	4732
Change language	English, Italiano, Français, Deutsch, Español, Русский, Polski, 简体中文	English
User password	[enabled, ****], [disabled]	enabled
Audible alarms	[enabled], [disabled]	enabled
Output voltage	[200V], [208V], [220V], [230V], [240V]	[230V] [240V] for AU
Output frequency	[autosensing], [converter 50Hz, 60Hz]	autosensing
High efficiency mode	[disabled], [enabled]	disabled
Auto bypass	[disabled], [enabled]	disabled
Start/Auto restart/Start from bypass	[disabled], [enabled]	Cold start/Auto restart: enabled Start from bypass: disabled
Site wiring fault	[enabled], [disabled]	disabled

Submenu	Available settings	Default settings
Overload pre-alarm	[50%~105%]	105%
External battery	[Auto detection], [Manual EBM: 0~4], [Manual Ah: 7~144Ah]	Auto detection 0 EBM
Charger current	[2A], [4A], [6A], [8A] for long backup model	4A
Dry in signal	[Disabled], [Remote on], [Remote off], [Forced bypass]	disabled
Dry out signal	[load powered], [on bat], [Low bat], [bat open], [bypass], [ups ok]	bypass
Ambient temperature alarm	[enabled], [disabled]	enabled
Battery remaining time	[enabled], [disabled]	enabled
Date and time	dd/mm/yyyy hh:mm	01/01/2020 00:00
LCD contrast	[-5 ~ +5]	[0]
IoT	[enabled], [disabled]	disabled
Modbus TCP	[enabled], [disabled]	disabled

i If the load type is a transformer type, it is recommended to enable the “start from bypass” function.

4.5 Starting the UPS with utility



4.6 Starting the UPS on Battery

i Before using this feature, the UPS must have been powered by utility power with output enabled at least once.

Battery start can be disabled. Refer to the Chapter [4.4 User setting](#)



4.7 UPS Shutdown



5 Communication

5.1 RS232 and USB

1. Communication cable to the serial or USB port on the computer.
2. Connect the other end of the communication cable to the RS232 or USB communication port on the UPS.

5.2 UPS remote control functions

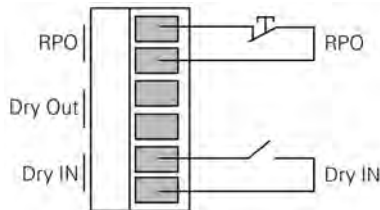
- **Remote Power Off (RPO)**

When RPO is activated, UPS will cut off output immediately, and continues to alarm.

RPO	Comments
Connector type	16 AWG Maximum wires
External breaker specification	60 V DC/30 V AC 20 mA max

- **Dry in**

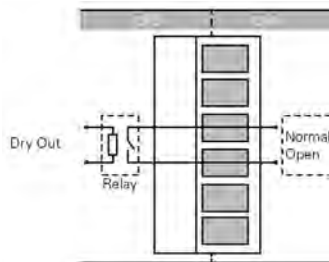
Dry in function can be configured (see Settings > Dry in)



Dry in	Comments
Connector type	16 AWG Maximum wires
External breaker specification	60 V DC/30 V AC 20 mA max

- **Dry out**

Dry out is the relay out, dry out function can be configured (see Settings > Dry out)



Dry out	Comments
Connector type	16 AWG Maximum wires

Inner Relay specification	24Vdc/1A
---------------------------	----------

5.3 IoT

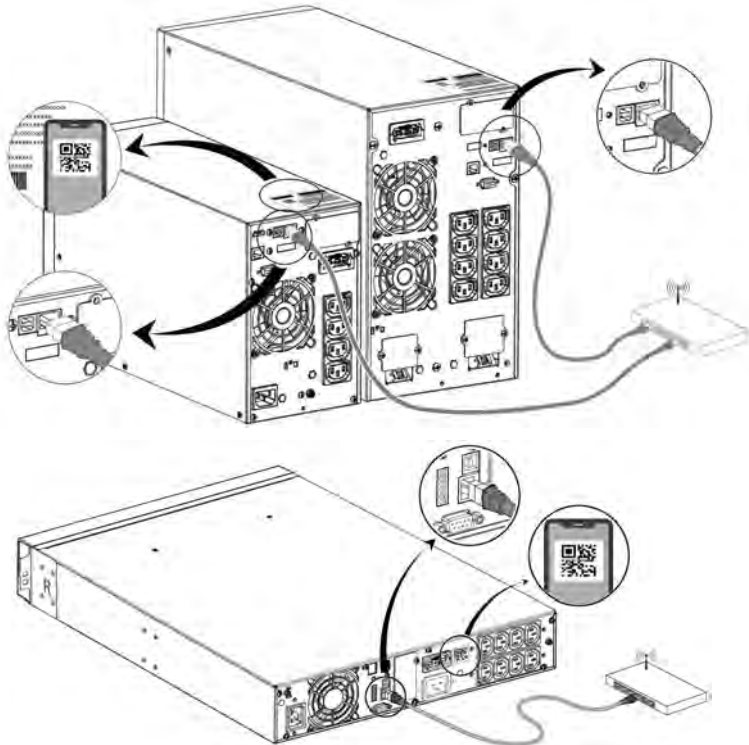
Built-in ethernet port and WLAN (optional accessory) port enable market-leading and easy-to-use IoT solutions for:

- Winpower View mobile app which allows you to remote monitor UPS(s) and keep informed about critical UPS event always.
- Remote report UPS faults and status (contact with your service for detail) from APP or registered APP account (Email address)
- Automatic UPS and battery warranty alert from APP or registered APP account (Email address)

IoT Connection

- Wired connection

1. Connect UPS and router or switch with network cable




Please use CAT6 shielded network cable.




The Position of QR code on the UPS is for reference, subject to the actual UPS label.

Make sure your IT settings can access the public network and Microsoft Azure Cloud

2. Enable the IoT function in LCD (see Settings -> IoT)
3. Search the “WinPower View” from Google Play store or Apple APP store, downloading and installing.
4. Open the app, register an account, log in, follow the instructions of the app.
5. Tap  on the upper right corner, scan the SN barcode on UPS label to add device.



 For more detail information and Q&A about the IoT and APP, please refer to the HELP menu in the app.

- **Wireless connection**

The wireless module is optional, please contact your local distributor for details

5.4 Modbus TCP

Built-in ethernet port offers Modbus TCP feature to facilitate remote monitoring of the UPS into your own software. Contact with your service for protocol details.

5.5 Intelligent Card (Optional)

Intelligent Card allow the UPS to communicate with different types of devices in variety of networking environments. The PowerWalker VFI ICT/ICR IoT series could use the following connectivity cards, please contact your local distributor for details

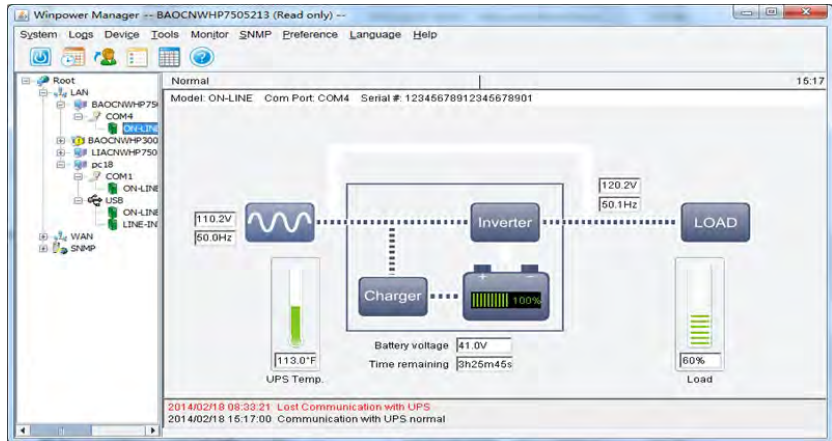
- **NMC Card** - Ideal monitoring solution enables user to monitor and control the status of UPS on web browser via internet
- **CMC card** -provides connection to Modbus protocol with standard RS485 signal.
- **AS400 G2 card** - Provides voltage-free dry-contact signals for programmable controller and management system
- **EMP** - Supports temperature and humidity sensors for remote environment

monitoring, should work with NMC Card

5.6 UPS Management Software

5.6.1 WinPower

WinPower provides user-friendly interface to monitor and control your UPS. This unique software provides safely auto shutdown for multi-computer systems while power failure. With this software, users can monitor and control any UPS on the same LAN no matter how far from the UPSs.



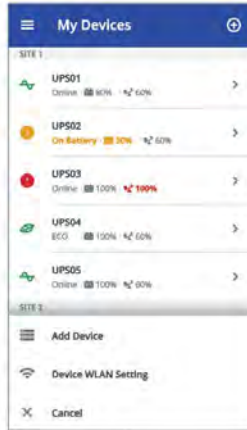
Installation procedure:

1. Go to the website: <https://powerwalker.com/?page=winpower&lang=en>
2. Choose the operation system you need and follow the instruction described on the website to download the software.
3. When downloading all required files from the internet, enter the serial No: **511C1-01220-0100-478DF2A** to install the software.

When you finish installation, restart your computer, the WinPower software will appear as a green plug icon located in the system tray, near the clock

5.6.2 WinPower View APP

WinPower View is a mobile app which allows you to centralized monitoring UPS(s) connected to cloud. Please download it from Google Play store or Apple APP store. Please refer to the [chapter 5.3](#) for IoT connection.



6 UPS maintenance

6.1 Equipment care

For the best preventive maintenance, keep the area around the equipment clean and dust free. If the atmosphere is very dusty, clean the outside of the system with a vacuum cleaner.

For full battery life, keep the equipment at an ambient temperature of 25°C (77°F).



The batteries are rated for a 3-5-year service life. The length of service life varies, depending on the frequency of usage and ambient temperature. Batteries used beyond expected service life will often have severely reduced runtimes. Replace batteries at least every 4 years to keep units running at peak efficiency.

6.2 Transporting the UPS



Please transport the UPS only in the original packaging. If the UPS requires any type of transportation, verify that the UPS is disconnected and turned off.

6.3 Storing the equipment

If you store the equipment for a long period, recharge the battery every 6 months by connecting the UPS to utility power. Recommends that the batteries charge for 48 hours after long-term storage.

If batteries were never recharged over 6 months, do not use them. Contact your service representative.

6.4 Replacing batteries



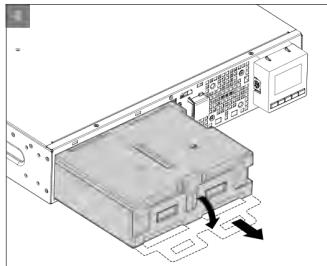
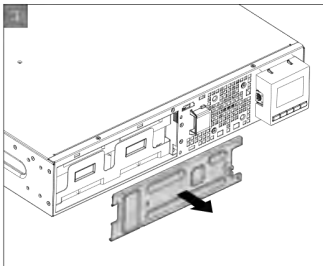
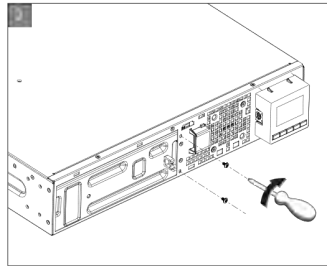
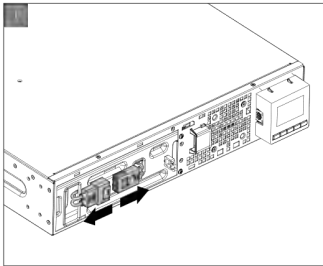
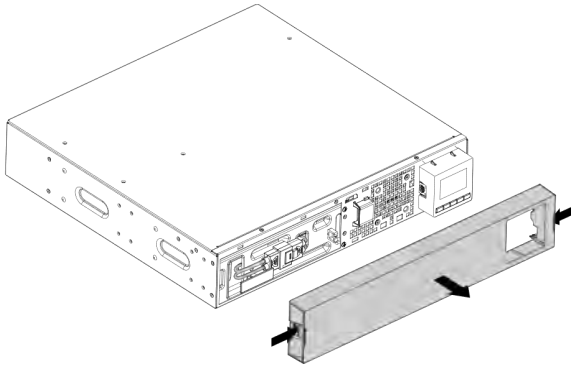
DO NOT DISCONNECT the batteries while the UPS is in Battery mode.



Consider all warnings, cautions, and notes before replacing batteries.

- Servicing should be performed by qualified service personnel with knowledgeable of batteries and required precautions. Keep unauthorized personnel away from batteries.

i • Replacing the internal battery(For RT)



1. Put the new battery pack into the UPS.
2. Screw back the metal protection covers and the front panel.
3. Testing new batteries.

i Verify that the replacement batteries have the same rating and brand as the batteries being replaced

6.5 Recycle

Contact your local recycling or hazardous waste center for information on proper disposal of the used equipment.



Do not dispose of the batteries in the fire. Which may cause battery explosion. The batteries must be rightly disposed according to local regulation.

Do not open or destroy the batteries. Escaping electrolyte can cause injury to the skin and eyes. It may be toxic.



Do not discard the batteries in the trash.

Pb

This product contains sealed lead acid batteries and must be disposed as it's explained in this manual. For more information, contact your local recycling centers, re-use and treatment facilities.



The crossed-out wheeled bin symbol indicates that waste electrical and electronic equipment should not be discarded together with unseparated household waste but must be collected separately. The product should be handed in for recycling in accordance with the local environmental regulations for waste disposal.

By separating waste electrical and electronic equipment, you will help reduce the volume of waste sent for incineration or land-fills and minimize any potential negative impact on human health and environment.





7 Troubleshooting




Typical alarms and faults:

To check the UPS status and Event log:

1. Press any button on the front panel display to activate the menu options.
2. Press the button to select Event log.
3. Scroll through the listed events and faults.

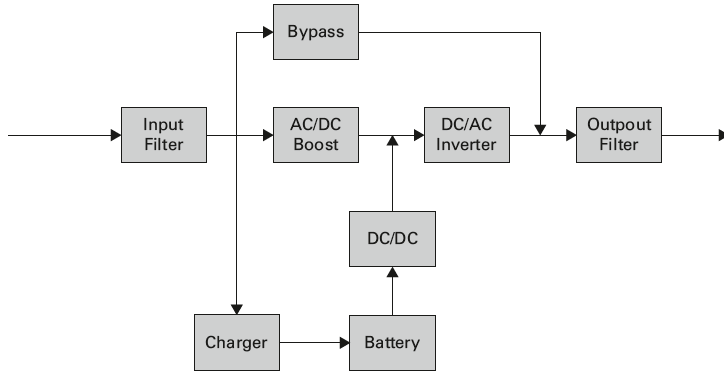
The following table describes typical conditions.

Conditions	Possible cause	Action
 LED is On. 1 beep every 4 seconds.	A utility failure has occurred, and the UPS is in Battery mode.	The UPS is powering the equipment with battery power. Prepare your equipment for shutdown.
 LED is On. 1 beep every second.	The UPS is in Battery mode and the battery is running low.	This warning is approximate, and the actual time to shutdown may vary significantly.
 LED is On. Beep continuous.	The batteries are disconnected.	<ol style="list-style-type: none"> 1. Verify that all batteries and detective cable (RJ45) are properly connected. 2. Check the LCD menu: Settings – External battery. If select the “Manual EBM” and Value is 0, please set the right value.
 LED is On. Beep continuous.	The battery test is failed due to bad or disconnected batteries, or the battery minimum voltage is reached in OBM cycling mode.	Verify that all batteries are properly connected. Start a new battery test: if the condition persists, contact your service representative.
The UPS does not provide the expected backup time.	The batteries need charging or service.	Apply utility power for 48 hours to charge the batteries. If the condition persists, contact your service representative.

Conditions	Possible cause	Action
Bypass mode  LED is on.	An overload or a fault has occurred, or a command has been received and the UPS is in Bypass mode. Or auto bypass function is enabled.	Equipment is powered but not protected by the UPS. Check for one of the following alarms: overtemperature, overload, UPS failure or auto bypass setting.
Power overload  LED is On. 1 beep every second.	Power requirements exceed the UPS capacity (greater than 105% of nominal);	Remove some of the equipment from the UPS. The alarm resets when the condition becomes inactive.
over temperature warning  LED is On. 1 beep every second.	The UPS internal temperature is too high. At the warning level, the UPS generates the alarm but remains in the current operating state.	Clear vents and remove any heat sources. Ensure the airflow around the UPS is not restricted.
The UPS does not start.	The input source is not connected correctly.	Check the input connections.
	The Remote Power Off (RPO) switch is active or the RPO connector is missing.	If the UPS Status menu displays the "Remote Power Off" notice, inactivate the RPO input.
Emergency power off	RPO is active	1. Check the RPO connector status 2. Reset the RPO fault through LCD. Main menu – Control - Reset fault state.
Fan fault	Fan abnormal	Check if the fan is running normally
Site fault	Phase and neutral conductor at input of UPS system are reversed	Site Fault detection disabled by default. It can still be enabled / disabled from the LCD settings menu. Reconnect all input wires.
Over temperature fault	Over temperature is too high, UPS goes to bypass or stopped.	Check the ventilation of the UPS and check the ambient temperature.
Output short circuit	Output short circuit occurred	Check the output of UPS and loads, make sure the short circuit is removed before turning on again.
APP cannot connect to UPS	IoT is disabled	Enable IoT function in LCD
	Your IT settings may block UPS get cloud connected (NTP, Proxy, etc.)	please refer to WinpowerView app help file

8 Specifications

8.1 UPS Block Diagram



8.2 UPS Specification

Model name		1K	1KS	1.5K	1.5KS	2K	2KS	3K	3KS
Power rating	VA/Watt	1000VA/1000W		1500VA/1500W		2000VA/2000W		3000VA/3000W	
Efficiency	Line mode	89%				93%			
	ECO mode	96%		97%					
Input performance	Voltage range	160-300V 100% load, 110-160V derating to 50% load linearly							
	Rated frequency	50Hz/60Hz							
	Frequency range	40Hz-70Hz (45Hz-55Hz, 54Hz-66Hz @ load>60%)							
	PF	>0.99							
	THDI	<5%							
Input connection	Socket (RT)	1x IEC C14				1x IEC C20			
	Socket (Tower)	1x IEC C14				1x IEC C20		1x Terminal	
Output performance	Rated voltage	200/208/220/230/240 VAC (derating 10% at 208V, derating 20% at 200V)							
	Rated frequency	50Hz/60Hz							
	Maximum PF	PF = 1							
	Voltage accuracy	±1%							
	THDv	<1% linear load; <5% nonlinear load							
	Transfer time	0ms@line <-> battery; 4ms @ line <-> bypass; 10ms @ ECO <-> Inverter							
	Crest Ratio	Max 3:1							
	Overload	100%<load≤105% continuous. 105%< load ≤125% for 5 minutes 125%<load≤150% for 30 seconds. >150% for 500ms.							

Model name		1K	1KS	1.5K	1.5KS	2K	2KS	3K	3KS	
Output connection	Socket (RT)	1 main outlet group (with 4 x IEC C13) 1 programmable outlet group (with 4 x IEC C13)						1 main outlet group (with 1 x IEC C19 + 4 x IEC C13) 1 programmable outlet group (with 4 x IEC C13)		
	Socket (Tower IEC)	4 x IEC C13				8 x IEC C13		8 x IEC C13 1x IEC C19	8 x IEC C13 1x Terminal	
	Socket (Tower Schuko)	3 x Schuko				4 x Schuko		3 x Schuko 1x Terminal		
	Socket (Tower Thai)	4 x Thai				8 x Thai + 1x Terminal				
	Socket (Tower AU)	2 x AU				4 x AU + 1 x IEC C19				
	Load segment control	RT: Yes, 1 programmable load segment control Tower: NA								
Short-circuit current (RMS) /protect time	Bypass mode	550A/2.8ms			550A/2.8ms		699A/7ms		699A/7ms	
	Normal/Battery mode	20A/100ms			25A/100ms		36A/100ms		54A/100ms	
Battery	Voltage	36V	36VDC	36VDC	36VDC	72V	72VDC	72VDC	72VDC	
	Capacity (AH)	3 x 12V 7Ah	NA	3 x 12V 9Ah	NA	6 x 12V 7Ah	NA	6 X12V 9Ah	NA	
Maximum EBM quantity		4								
EBM auto detection		Yes								
Battery Hot swappable		Yes								
Charger	Charging method	Optimize Battery Management								
	Charging current	1.5A	8A	1.5A	8A	1.5A	8A	1.5A	8A	
	Recharging time	3h to 90%	NA	3h to 90%	NA	3h to 90%	NA	3h to 90%	NA	
Other mode	CVCF	Yes (derating to 60% load)								
	Display	Dot matrix LCD (optional segment LCD)								
	Language	Multi-Language								
	USB	USB 2.0 with HID power device								
	RS232	Yes (DB9)								
	Dry in/out	1 programmable dry in; 1 programmable dry out								
	RPO	Yes								
	Intelligent slot	Yes (for long card)								
	Network card	Optional, NMC long card								
	Modbus card	Optional, CMC Long Card								
	Dry contactor card	Optional, AS400 Long Card								
	Wireless module	Optional								
	IOT Ethernet port	RJ45								
Physical performance	Dimension (W*D*H) mm	RT: 438*445*85.5(2U) Tower: 145*404*220				RT: 438*600*85.5(2U) Tower: 192*428*318				
	IP protection level	IP20								

Model name		1K	1KS	1.5K	1.5KS	2K	2KS	3K	3KS
	Plug solid	RT: Optional; Tower: NA							
	Wheel	No							
Environment	Operating temperature	RT: 0-40°C Tower: 0-45°C, 40-45°C derating to 80%							
	Relative Humidity	0-95%							
	Operating Altitude	0~3000m (the load derating 1 % every up 100m @1000~3000m)							
	Acoustic Noise	<45dB at front 1m				<50dB at front 1m			
Certification		CE, IEC/EN 62040							
EMI	Conduction /Radiation	C2							
EMS	ESD	IEC/EN 61000-4-2							
	RS	IEC/EN 61000-4-3							
	EFT	IEC/EN 61000-4-4							
	Surge	IEC/EN 61000-4-5							
Accessory	Input power cable	Yes							
	Output power cable	Yes (For IEC models)							
	EBM cable	Yes (in EBM)							
	USB cable	Yes							
	RS232 cable	Optional							
	Rail kit	Optional							
	Tower Feet	RT: Yes; Tower: No							
	Rack ear	RT: Yes; Tower: No							
Manual (English)	Yes								

PowerWalker VFI ICT/ICR IoT Serie

BENUTZERHANDBUCH



Service und Unterstützung:
Rufen Sie Ihren lokalen Servicevertreter an

SICHERHEITSHINWEISE

BEWAHREN SIE DIESE ANWEISUNGEN AUF. Dieses Handbuch enthält wichtige Anweisungen, die bei der Installation und Wartung der USV und der Batterien befolgt werden sollten.

USV- Tower-Modelle gelten als geeignet für die Verwendung in einer Umgebung von 0 ~ 45°C;

USV-RT-Modelle (Rack-Tower) gelten als geeignet für die Verwendung in einer Umgebung von 0 ~ 40°C;

Zertifizierungsstandards

- Sicherheit: IEC/EN 62040-1
- EMC: IEC/DE 62040-2
- Leistung: IEC/EN 62040-3.
- ISO 9001:2015.
- ISO 14001:2015.

Besondere Symbole



RISIKO DES STROMSCHLAGES - Beachten Sie Warnungen in Verbindung mit dem Symbol für das Risiko eines Stromschlages.



Wichtige Anweisungen, die stets befolgt werden müssen.



Pb

EU-Kennzeichnung für die getrennte Sammlung bleihaltigen Materialien wie hier Blei-Säure-Batterien. Weist darauf hin, dass die Batterie nicht mit 'normalem' Hausmüll entsorgt werden darf, sondern getrennt gesammelt und recycelt werden muss.



EU-Zeichen für die getrennte Sammlung von Elektro- und Elektronik-Altgeräten (WEEE). Zeigt an, dass das Gerät nicht mit dem 'normalen' Hausmüll entsorgt werden darf, sondern getrennt gesammelt und recycelt werden muss.



Information, Beratung, Hilfe.



Lesen Sie das Benutzerhandbuch.

Sicherheit von Personen

- Innerhalb des Systems sind gefährliche Spannungspegel vorhanden. Es sollte ausschließlich von qualifiziertem Servicepersonal geöffnet werden.
- Das System muss ordnungsgemäß geerdet sein.

- Die mit dem System gelieferte Batterie enthält geringe Mengen toxischer Stoffe. Um Unfälle zu vermeiden, sind die unten aufgeführten Richtlinien zu beachten:
 - Die Wartung von Batterien sollte von Personal durchgeführt oder beaufsichtigt werden, das über Batterien und den erforderlichen Vorsichtsmaßnahmen Kenntnisse hat.
 - Es besteht Explosionsgefahr, wenn die Batterie gegen einen falschen Typ ausgetauscht wird. Beim Austausch von Batterien sind diese gegen den gleichen Typ und die gleiche Anzahl von Batterien oder Batteriepacks auszutauschen. Die Anweisungen müssen ausreichende Informationen enthalten, um den Austausch der Batterie gegen einen geeigneten empfohlenen Typ zu ermöglichen.
 - **VORSICHT:** Entsorgen Sie Batterien nicht im Feuer. Die Batterien können explodieren. Entsorgen Sie gebrauchte Batterien gemäß den Anweisungen.
 - Batterien dürfen nicht geöffnet oder zerhackt werden. Freigesetzter Elektrolyt ist schädlich für Haut und Augen. Es kann giftig sein.
 - **VORSICHT** - Eine Batterie kann das Risiko eines Stromschlags und hoher Kurzschlussströme bedeuten. Bei Arbeiten an Batterien sind die nachfolgenden Vorsichtsmaßnahmen zu beachten:
 - Entfernen Sie Uhren, Ringe oder andere Metallgegenstände.
 - Verwenden Sie Werkzeuge mit isolierten Griffen.
 - Tragen Sie Gummihandschuhe und Gummistiefel.
 - Legen Sie keine Werkzeuge oder Metallteile auf die Batterien.
 - Trennen Sie die Ladequelle ab, bevor Sie die Batteriepole anschließen oder abtrennen.
 - Stellen Sie fest, ob die Batterie versehentlich geerdet ist. Wenn sie versehentlich geerdet ist, entfernen Sie die Quelle von der Erde. Der Kontakt mit einem beliebigen Teil einer geerdeten Batterie kann zu einem Stromschlag führen. Die Wahrscheinlichkeit eines solchen Stromschlags kann verringert werden, wenn solche Erdungen während der Installation und Wartung entfernt werden.
 - Schadhafte Batterien können Temperaturen erreichen, die die Verbrennungsgrenzwerte für berührbare Oberflächen überschreiten

Produktsicherheit

- Die im Handbuch beschriebenen Anweisungen zum Anschluss und Betrieb der USV müssen in der angegebenen Reihenfolge befolgt werden.
- USV-Gehäuse Schutzart IP20.
- **VORSICHT** - Um die Brandgefahr zu verringern, darf das Gerät nur an einen Stromkreis angeschlossen werden, der mit einem entsprechenden Lastschuttschalter ausgestattet ist.

- Für das 3kVA KS Modell ist ein Leistungsschutzschalter mit Nennwert 20A, Auslösekurve C erforderlich.
- Der vorgeschaltete Schutzschalter für Normal AC / Bypass AC muss leicht zugänglich sein.
- für PERMANENT ANGESCHLOSSENE GERÄTE muss eine leicht zugängliche Trennvorrichtung außerhalb des Gerätes eingebaut sein
- bei Geräten mit Netzstecker muss die Steckdose in der Nähe des Gerätes eingebaut und leicht zugänglich sein
- Prüfen Sie, ob die Angaben auf dem Typenschild mit Ihrem wechselstrombetriebenen System und dem tatsächlichen Stromverbrauch aller an das System anzuschließenden Ausrüstungen übereinstimmen.
- Installieren Sie das System niemals in der Nähe von Flüssigkeiten oder in einer übermäßig feuchten Umgebung.
- Lassen Sie niemals einen Fremdkörper in das Innere des Systems eindringen.
- Blockieren Sie niemals die Lüftungsgitter des Systems.
- Setzen Sie das System niemals direktem Sonnenlicht oder einer Wärmequelle aus.
- Wenn das System vor der Installation gelagert werden muss, muss die Lagerung an einem trockenen Ort erfolgen.
- Der zulässige Lagertemperaturbereich beträgt -25°C bis $+55^{\circ}\text{C}$ ohne Batterien, 0°C bis $+40^{\circ}\text{C}$ mit Batterien, wie empfohlen eine Lagerung bei unter 25°C .
- Diese USV kann in einem TN/IT/TT-Stromsystem verwendet werden

Besondere Vorsichtsmaßnahmen

- Das Gerät ist schwer: Tragen Sie Sicherheitsschuhe und verwenden Sie für die Handhabung vorzugsweise einen Saugheber.
- Für alle Handhabungen sind mindestens zwei Personen erforderlich (Auspacken, Heben, Einbau im Regalsystem).
- Wenn die USV vor und nach der Installation über einen längeren Zeitraum spannungslos bleibt, muss die USV für einen Zeitraum von 24 Stunden, mindestens einmal alle 6 Monate, angeschlossen werden (bei einer normalen Lagertemperatur von weniger als 25°C). Dadurch wird die Batterie geladen, wodurch mögliche unwiderrufliche Schäden vermieden werden.
- Während des Austauschs des Batteriemoduls ist es unbedingt erforderlich, den gleichen Typ und die gleiche Anzahl von Elementen wie das mit der USV gelieferte Original-Batteriemodul zu verwenden, um ein identisches Leistungs- und Sicherheitsniveau aufrechtzuerhalten.



Dies ist ein USV-Produkt der Kategorie C2. In einer Wohnumgebung kann dieses Produkt Funkstörungen verursachen. In diesem Fall kann vom Benutzer verlangt werden, zusätzliche Maßnahmen zu ergreifen.

Inhalt

1.1	Schutz der elektronischen Ausrüstung	1
1.2	Umweltschutz	2
2	Produkt-Übersicht	3
2.1	Gewicht und Abmessungen	3
2.2	Rückseiten	5
3	Installation	9
3.1	Inspektion der Inhalts	9
3.2	Prüfung des Zubehörsatzes	9
3.3	Einbau der Einheit	11
3.4	Verbindung der EBM(s) (externes Batteriemodul)	14
4	Betrieb	16
4.1	LCD-Panel	16
4.2	LCD-Beschreibung	17
4.3	Anzeige-Funktionen	19
4.4	Benutzer-Einstellungen	19
4.5	Inbetriebnahme der USV mit Netzversorgung	21
4.6	Starten der USV im Batteriebetrieb	21
4.7	USV-Abschaltung	22
5	Kommunikation	23
5.1	RS232 und USB-	23
5.2	Fernsteuerungsfunktionen des USV	23
5.3	IoT	24
5.4	Modbus-TCP	25
5.5	Intelligente Kommunikationskarte (Optional)	25
5.6	USV-Verwaltungssoftware	26
6	USV-Wartung	28
6.1	Pflege der Ausrüstung	28
6.2	Transport der USV	28
6.3	Lagerung der USV	28
6.4	Austausch der Batterien	28
6.5	Wiederverwertung	30
7	Fehlerbehebung	31
8	Spezifikationen	33

8.1	USV-Schalt diagramm.....	33
8.2	USV-Spezifikation.....	33

1 Einleitung

Vielen Dank, dass Sie sich für eine PowerWalker VFI ICT/ICR IoT UPS zum Schutz Ihrer elektrischen Ausrüstungen entschieden haben.

Wir empfehlen Ihnen, sich die Zeit zu nehmen, dieses Handbuch zu lesen, um die vielen Funktionen der USV (Unterbrechungsfreies Stromversorgungssystem) komplett nutzen zu können.

Bevor Sie die USV einbauen, lesen Sie bitte die Broschüre mit den Sicherheitshinweisen. Folgen Sie anschließend den Hinweisen in diesem Handbuch.

1.1 Schutz der elektronischen Ausrüstung

Die USV schützt Ihre empfindlichen elektronischen Geräte vor den häufigsten Stromversorgungsproblemen, einschließlich Stromausfällen, Stromabfällen, Überspannungen, Spannungsabfällen, Leitungsstörungen, Hochspannungsspitzen, Frequenzschwankungen, Schalttransienten und harmonischen Verzerrungen.

Besonderes Merkmal:

- Doppelwandler mit reinem Sinuswellenformausgang
- Komplette digitale Steuerung
- Höhere Leistungsdichte und Ausgang $PF = 1$
- Weiterer Eingangsspannungsbereich: 110 Vac~300 Vac
- Höhere Effizienz: 93 % für 2K/3k, 89 % für 1k
- Eingang THDI < 5 %
- Größerer Ladestrom bei den Modellen für lange Überbrückungszeit (ks-modelle): 8 A, einstellbar von 2 A bis 8 A über LCD
- automatische Erkennung der angeschlossenen Batterieerweiterungsmodule EBM
- Kommunikationsanschlüsse: RPO, potentialfreier Kontakt Eingang und Ausgang, Kartensteckplatz (für Netzwerk, AS-400, Modbus), USB, RS232
- IoT: Ethernet (Standard) und kabellos (optional)
- Punktmatrix-LCD, es unterstützt Multi-Sprachen.
- ECO-Modus
- Startfähig ohne Batterie.

1.2 Umweltschutz

Produkte werden nach einem Ökodesign-Ansatz entwickelt.

Stoffe

Dieses Produkt enthält weder FCKW, H-FCKW noch Asbest.

Verpackung

Um die Abfallverwertung zu verbessern und das Recycling zu erleichtern, trennen Sie die verschiedenen Verpackungskomponenten.

- Der von uns verwendete Karton besteht zu über 50 % aus recyceltem Karton.
- Säcke und Beutel werden aus Polyethylen hergestellt.
- Verpackungsmaterialien sind wiederverwertbar

Befolgen Sie alle örtlichen Vorschriften für die Entsorgung von Verpackungsmaterialien.

Produkt

Das Produkt besteht hauptsächlich aus wiederverwertbaren Materialien.

Die Demontage und Zerlegung muss unter Einhaltung aller örtlichen Entsorgungsvorschriften erfolgen. Am Ende seiner Nutzungsdauer muss das Produkt zu Recyclingzentren, Wiederverwendungs- und Verwertungsanlagen für Elektro- und Elektronik-Altgeräte (WEEE) transportiert werden.

Batterie

Das Produkt enthält Blei-Säure-Batterien, die gemäß den geltenden örtlichen Vorschriften für Batterien verarbeitet werden müssen.

Die Batterie kann zur Einhaltung der Vorschriften und im Hinblick auf die korrekte Entsorgung entfernt werden.

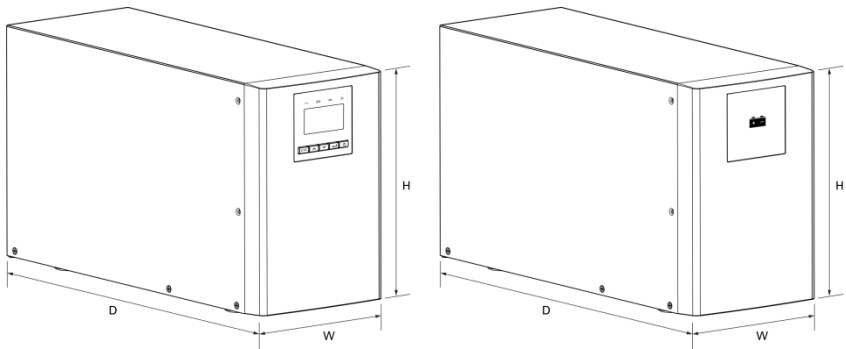
2 Produkt-Übersicht

2.1 Gewicht und Abmessungen



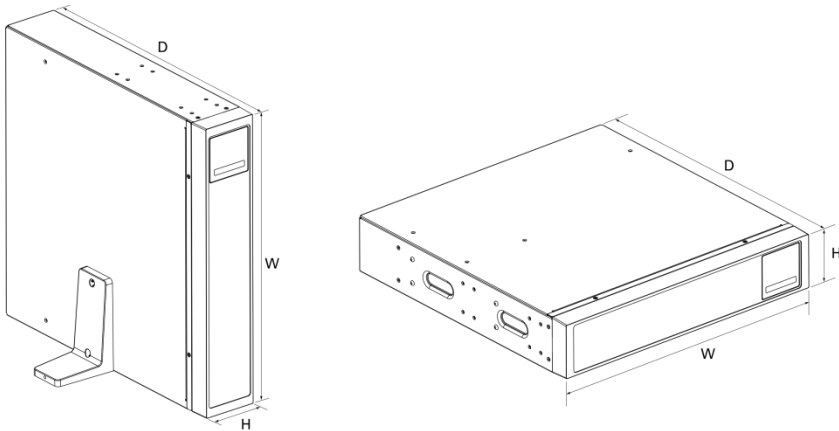
Die Gewichte in dieser Tabelle dienen nur als Referenz. Einzelheiten entnehmen Sie bitte den Etiketten auf dem Karton.

Tower Modelle:



Beschreibung	Nettogewichte (kg)	Abmessungen: T x B x H (mm)
Tower 1K	12,8	404 x 145 x 220
Tower 1KS	6,4	404 x 145 x 220
Tower 1,5K	14,3	404 x 145 x 220
Tower 1,5KS	6,7	404 x 145 x 220
Tower 2K	26,0	428 x 192 x 318
Tower 2KS	11,0	428 x 192 x 318
Tower 3K	26,4	428 x 192 x 318
Tower 3KS	11,4	428 x 192 x 318
Tower 36V EBM	16,8	404 x 145 x 220
Tower 72V EBM	38,7	428 x 192 x 318

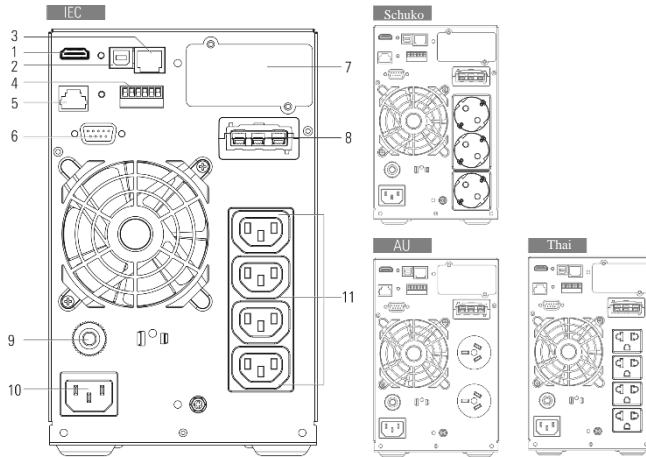
RT-Modelle (Rack-Tower)



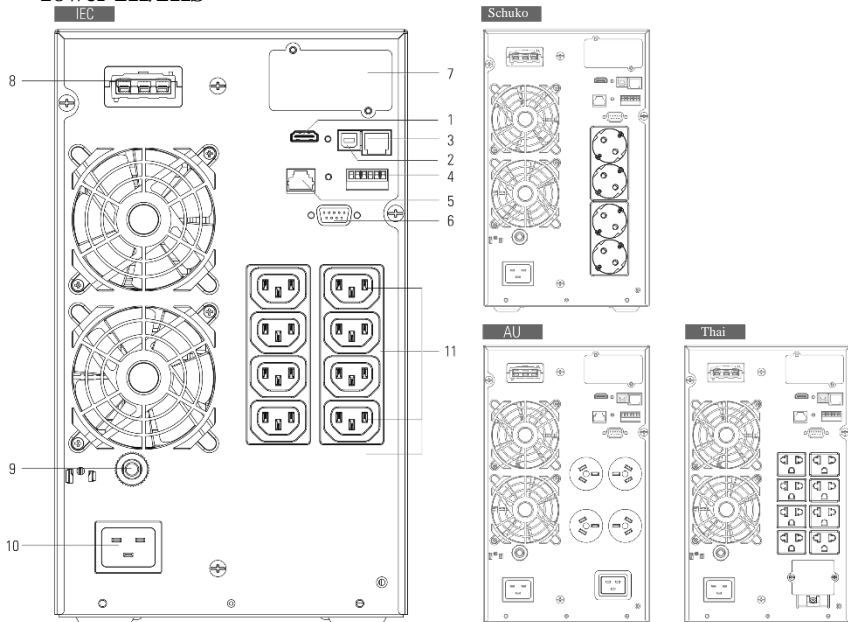
Beschreibung	Nettogewichte (kg)	Abmessungen: T x B x H (mm)
RT 1K	14,3	445 x 438 x 85,5
RT 1KS	8,0	445 x 438 x 85,5
RT 1,5K	15,8	445 x 438 x 85,5
RT 1,5KS	8,2	445 x 438 x 85,5
RT 2K	23,3	600 x 438 x 85,5
RT 2KS	10,6	600 x 438 x 85,5
RT 3K	26,2	600 x 438 x 85,5
RT 3KS	11,0	600 x 438 x 85,5
RT 36V EBM	22,6	445 x 438 x 85,5
RT 72V EBM	39,9	600 x 438 x 85,5

2.2 Rückseiten

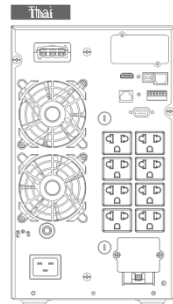
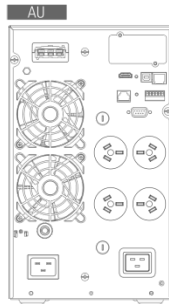
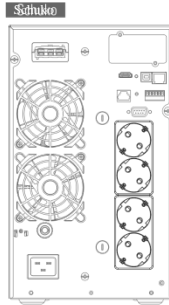
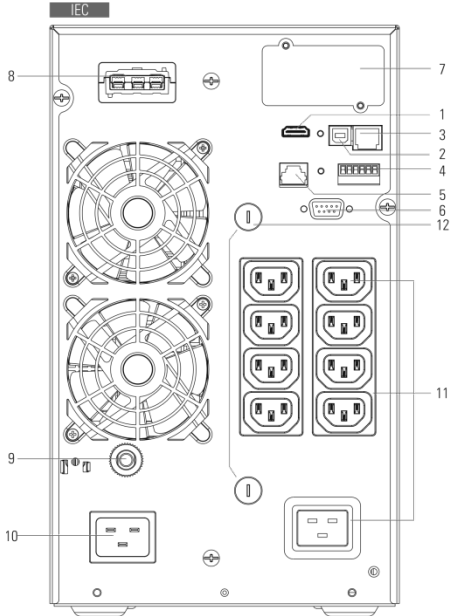
Tower 1K/1KS/1,5K/1,5KS



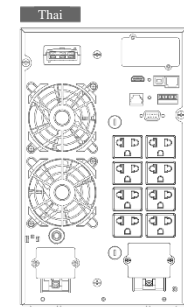
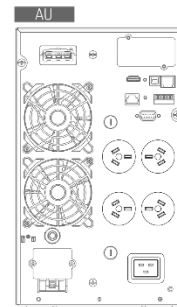
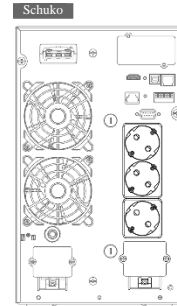
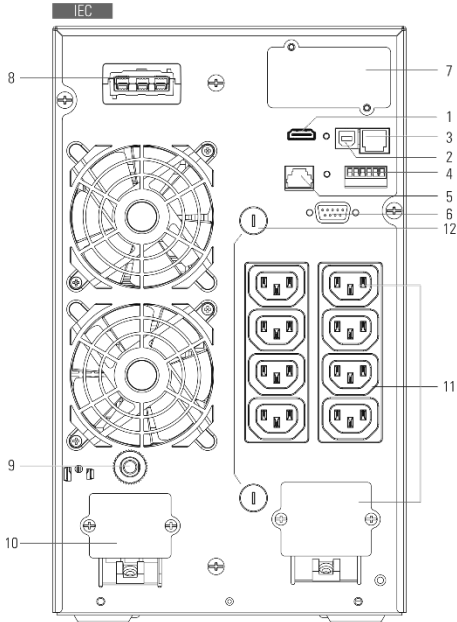
Tower 2K/2KS



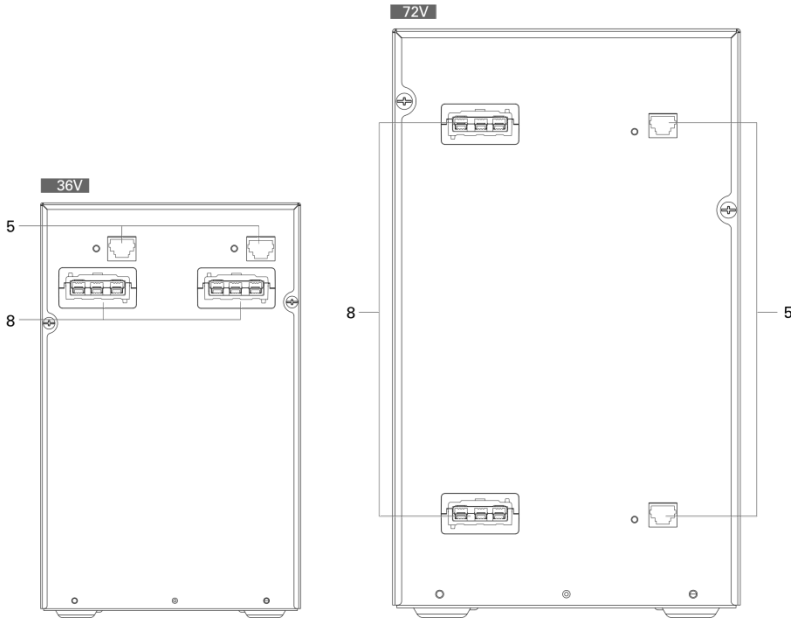
Tower 3K



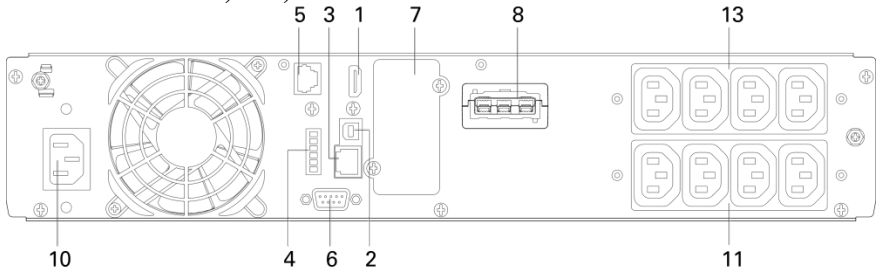
Tower 3KS



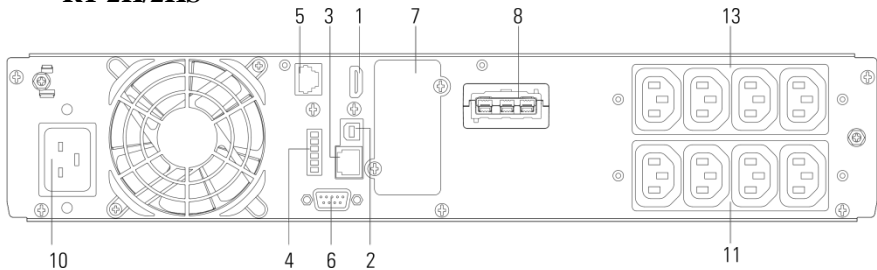
Tower EBM



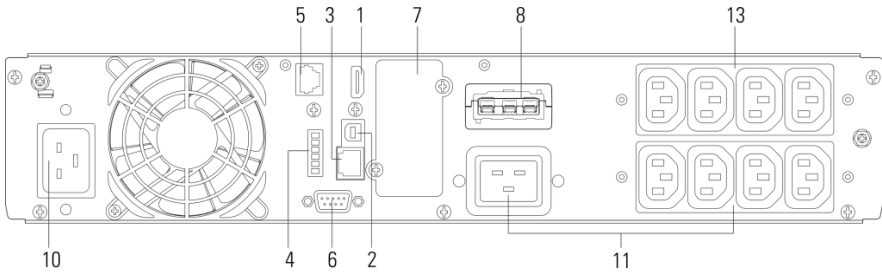
RT 1K/1KS/1,5k/1,5KS



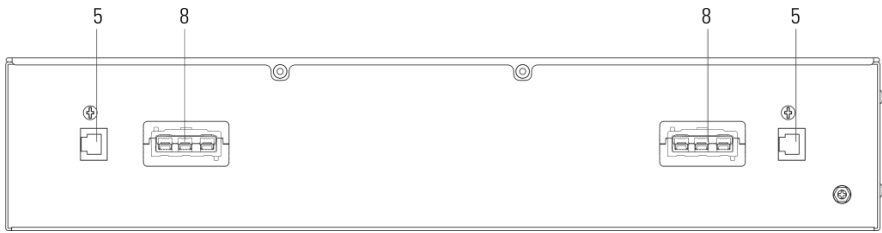
RT 2K/2KS



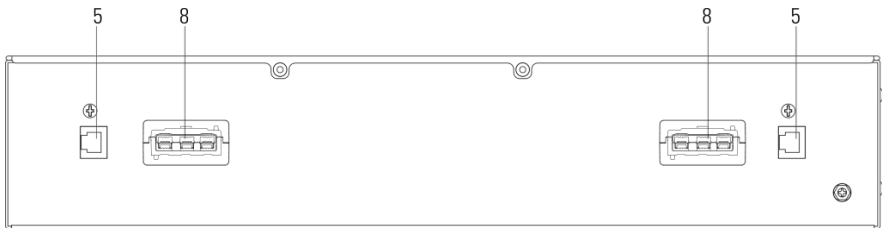
RT 3K/3KS



RT 36V EBM



RT 72V EBM



1	WLAN (HDMI)	2	USB	3	Ethernet (RJ45)
4	RPO/potentialfreie Kontakte ein- und ausgehend	5	EBM	6	RS232
7	Steckkarten-Slot	8	Anschluss für EBM	9	Eingangsunterbrecher (optional)
10	Eingangsbuchse/ Eingabe-Klemme	11	Ausgangsbuchse/ Ausgangsklemme	12	Ausgangssicherung (optional)
13	Programmierbare Ausgangsbuchse				

3 Installation

3.1 Inspektion der Inhalts



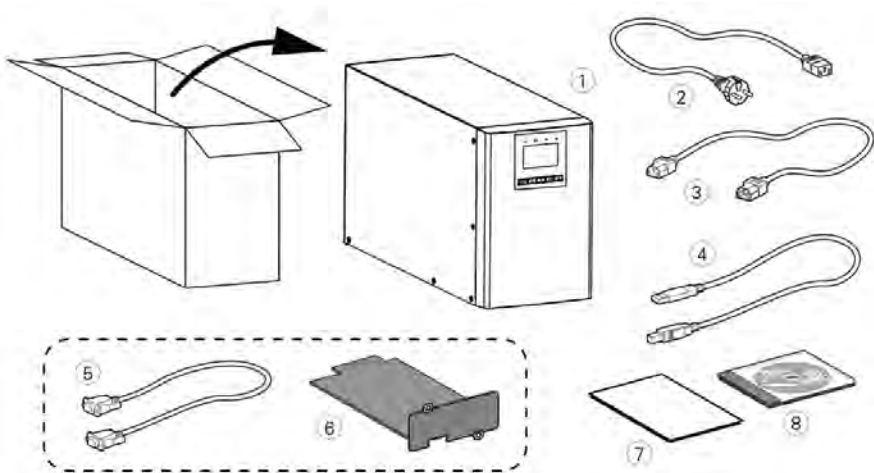
Wenn irgendein Teil des Inhalts während des Transports beschädigt wurde, bewahren Sie die Versandkartons und Verpackungsmaterialien für den Spediteur oder den Kaufort auf und reichen Sie eine Reklamation wegen Transportschäden ein. Wenn Sie nach der Annahme einen Schaden feststellen, reichen Sie eine Reklamation aufgrund verdeckter Schäden ein.

So reichen Sie eine Forderung wegen Transportschäden oder verdeckter Schäden ein:

1. Innerhalb von 15 Tagen nach Erhalt der Sendung beim Spediteur einreichen;
2. Senden Sie innerhalb von 15 Tagen eine Kopie der Schadensmeldung an Ihren Servicevertreter.

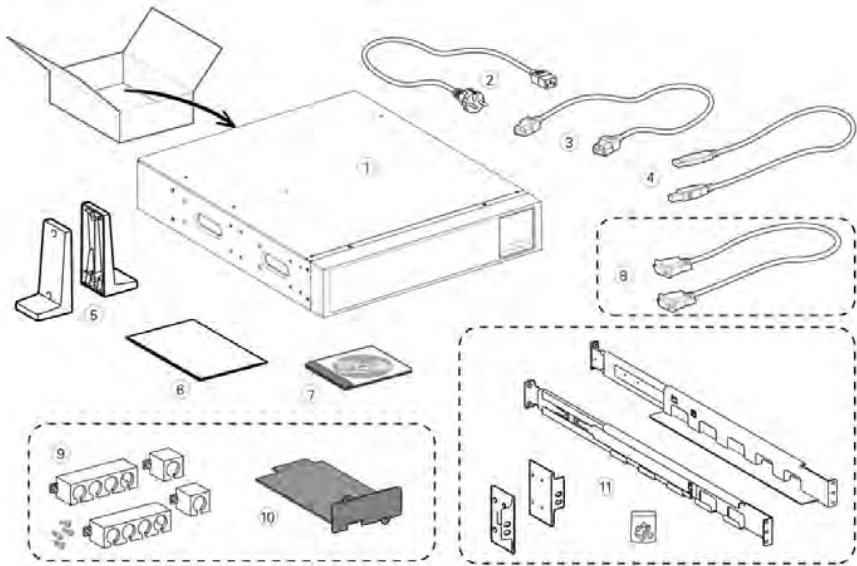
3.2 Prüfung des Zubehörsatzes

Tower-Modell



1	USV	2	Eingangskabel (ausser für 3KS Modelle)	3	Ausgangskabel (nur für IEC Modelle)
4	USB-Kabel	5	RS232-Kabel (optional)	6	Steckkarte (optional)
7	Benutzerhandbuch (Englisch)	8	Benutzerhandbuch (Multi-Sprachen) (optional)		

RT-Modell



1	USV	2	Eingangskabel	3	Ausgangskabel
4	USB-Kabel	5	Towerständer	6	Benutzerhandbuch (Englisch)
7	Benutzerhandbuch (Multi-Sprachen) (optional)	8	RS232-Kabel (optional)		
9	Kabelhalter (optional)	10	Steckkarte (optional)	11	Schiensatz (optional)

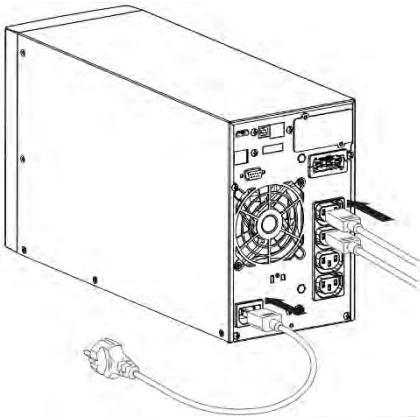
3.3 Einbau der Einheit



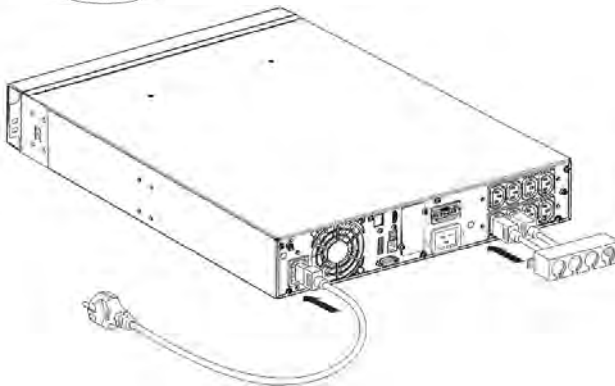
Halten Sie immer einen Freiraum von 200 mm hinter der Rückwand der USV ein.



Prüfen Sie, ob die Angaben auf dem Typenschild auf der oberen Abdeckung der USV mit der Wechselstromquelle und dem tatsächlichen Stromverbrauch der Gesamtlast übereinstimmen.



1. Schließen Sie die Eingangsbuchse der USV mit dem mitgelieferten Kabel an die AC-Stromquelle an.
2. Schließen Sie die Lasten mit Hilfe der Verbindungskabel an die USV an.



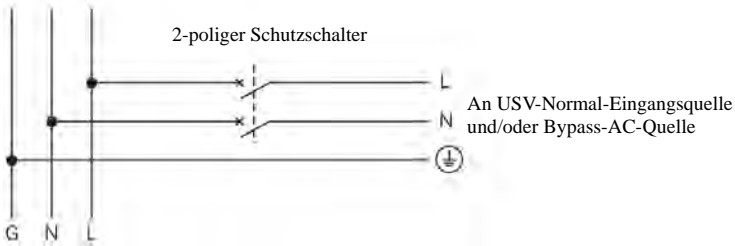
Hinweis: Die USV lädt die Batterie, sobald sie an die Wechselstromquelle angeschlossen wird, auch wenn die AN-Taste nicht gedrückt wird.



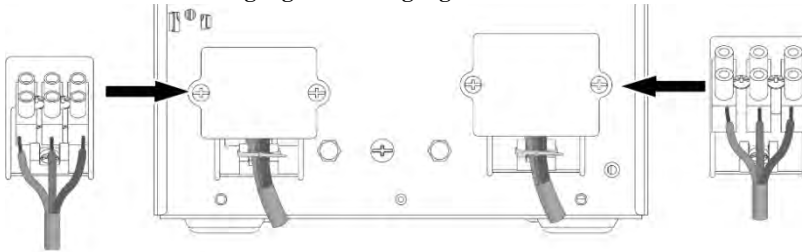
Sobald die USV an die AC-Stromquelle angeschlossen ist, sind 8 Stunden Ladezeit erforderlich, bevor der Akku die Nenn-Überbrückungszeit liefern kann.

- Empfohlener vorgeschalteter Schutz

USV-Modell	Vorgeschalteter Leistungsschalter
Tower 3KS	C-Kurve-20 A



- Anschluss von Eingangs- und Ausgangsklemmen:



Tower 3KS	Erforderlicher Mindestquerschnitt/Drehmoment	Klemmblock-Kapazität
Eingabe L, N, G Leiterquerschnitt	2,5 mm ² /(0.3 N·m)	4 mm ²
Ausgang L, N, G Leiterquerschnitt	4 mm ² /(0.8 N·m)	10 mm ²

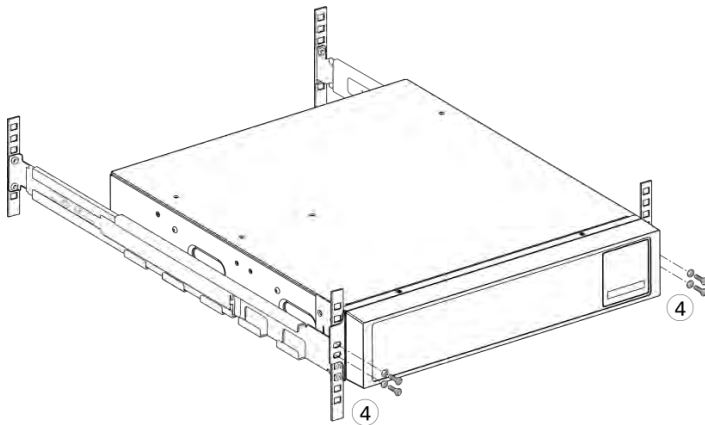
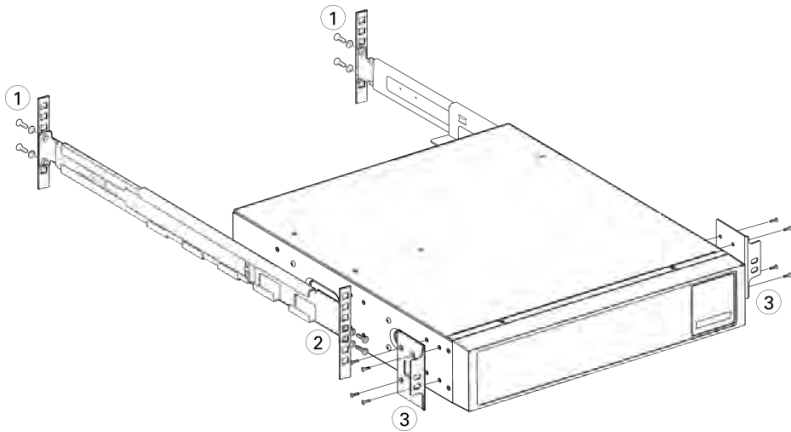


Hinweis: Bei Tower 3KS sollte das Ausgangskabel weniger als 3 m lang sein. Wenn die Kabel an die Klemmenleiste angeschlossen werden, darf der innere Kupferdraht nicht freigelegt werden, um die Gefahr eines Stromschlags zu vermeiden

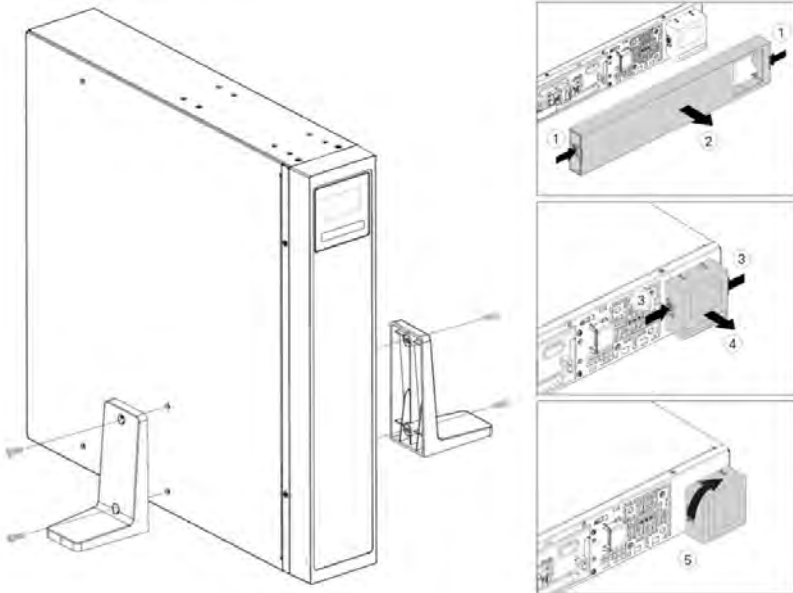
3.3.1 RT-Modelle

- **Rackeinbau**

Befolgen Sie die Schritte 1 bis 4 für die Modulmontage auf den Schienen.



● **Anbau der Towerständer**



3.4 Verbindung der EBM(s) (externes Batteriemodul)

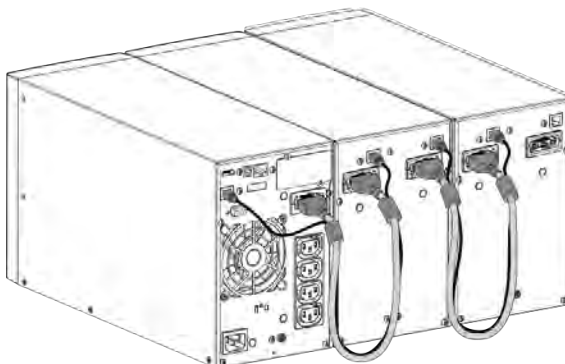


Beim Anschluss eines EBM an die USV kann es zu einer geringen Funkenbildung am Steckerkontakt kommen. Dies ist normal und verletzt das Personal nicht.

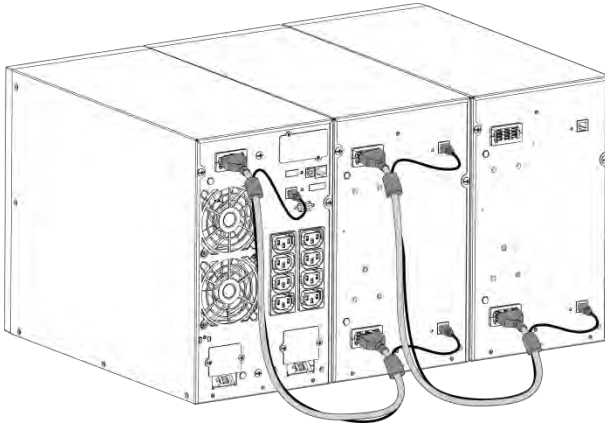
Es können bis zu 4 EBMs an die USV angeschlossen werden.

3.4.1 Tower-Modelle

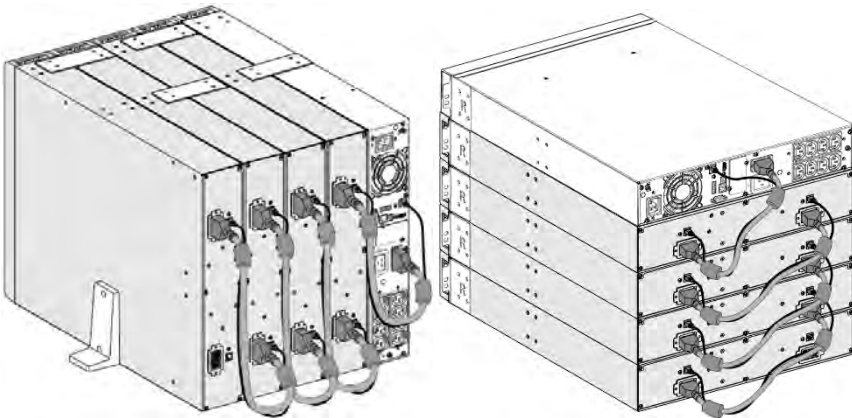
1k/1,5k



2k/3k



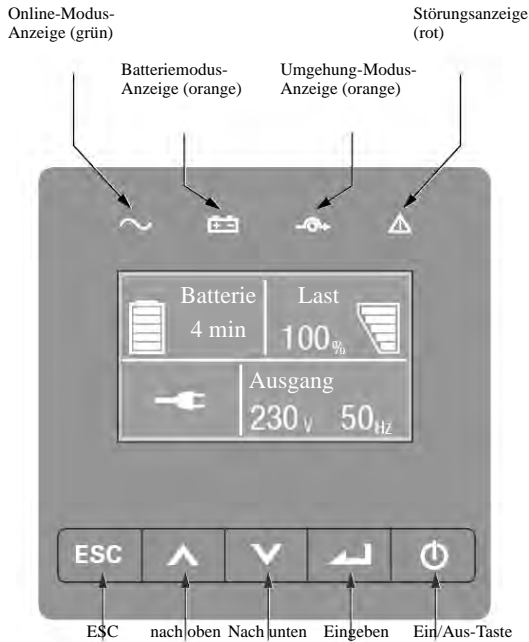
3.4.2 RT-Modelle



4 Betrieb

4.1 LCD-Panel






Das Display liefert nützliche Informationen über die USV selbst, den Laststatus, Ereignisse, Messungen und Einstellungen.



Die nachfolgende Tabelle zeigt den Status und die Beschreibung des Anzeigers:

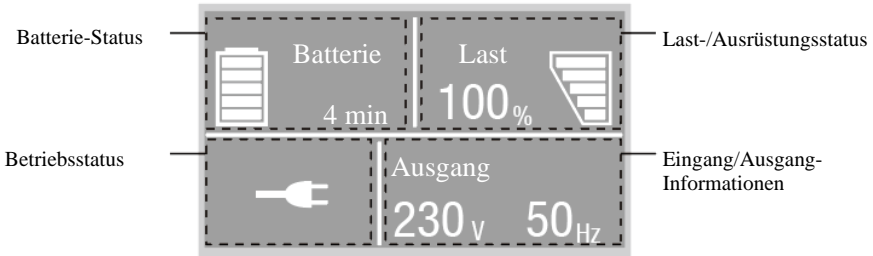
Indikator	Status	Beschreibung
 Grün	Ein	Die USV arbeitet normal im Online-Modus oder im Hocheffizienzmodus.
 Gelb	Ein	Die USV ist im Batteriebetrieb.
 Gelb	Ein	Die USV ist im Umgehungsmodus (Bypass).
 Rot	Ein	Die USV hat einen aktiven Alarm oder Störung. Weitere Informationen finden Sie in Kapitel 7 Fehlerbehebung.

Die nachfolgende Tabelle zeigt den Status und die Beschreibung der Anzeige:




Taste	Funktion	Beschreibung
	Aktivieren	Drücken der Taste für >100 ms & <1 Sek kann die USV ohne Netzversorgung bei angeschlossener Batterie aktivieren.
	Einschalten	Wenn das Gerät aktiviert ist, kann durch Drücken der Taste für >1 Sek die USV eingeschaltet werden. (Ausgang aktiv)
	Ausschalten	Drücken der Taste > 3 Sek kann die USV ausschalten
	Nach oben blättern	Drücken, um in der Menüoption nach oben zu blättern.
	Nach unten blättern	Drücken, um in der Menüoption nach unten zu blättern
	Menü aufrufen	Auswählen/Bestätigen der aktuellen Auswahl
	Verlassen des aktuellen Menüs	Drücken, um das aktuelle Menü zum Hauptmenü oder zum übergeordneten Menü zu verlassen, ohne eine Einstellung zu ändern.
	Summer stummschalten	Drücken Sie die Taste, um den Summer vorübergehend stumm zu schalten, sobald eine neue Warnung oder Störung aktiv ist, arbeitet der Summer erneut.

4.2 LCD-Beschreibung

Die LCD-Hintergrundbeleuchtung dimmt automatisch nach 10 Minuten Inaktivität ab. Drücken Sie eine beliebige Taste, um den Bildschirm wieder zu aktivieren.



Betriebsstatus	Zustand	Beschreibung
	Standby-Modus	Die USV ist Aus ohne Ausgang.
	Online-Modus	Die USV arbeitet normal und schützt die angeschlossenen Geräte.
 1 Piepton alle 4 Sekunden	Batterie-Modus	Eine Versorgungsstörung ist aufgetreten, und die USV versorgt die Ausrüstung aus der Batterie. Bereiten Sie Ihre angeschlossenen Geräte auf ein Herunterfahren vor.
 1 Piepton pro Sekunde	Batterie-Modus bei niedrigem Batteriestand	Diese Warnung ist ungefähr, und die tatsächlich verbleibende Zeit bis zum Herunterfahren kann Lastabhängig erheblich schwanken.
	Hocheffizienz-Modus	USV arbeitet im Bypass. Bei Netzausfall oder Netzschwankungen geht die USV entweder in den Online- oder Batterie-Modus. Angeschlossenen Geräte werden ohne Unterbrechung versorgt.
	Wandler-Modus	Die USV arbeitet mit fester Ausgangsfrequenz (50 Hz oder 60 Hz) anhand Ihrer Einstellung. Die Last sollte im Wandler-Betrieb auf 60 % verringert werden.
	Umgehung (Bypass)-Modus	Eine Überlastung oder eine Störung ist aufgetreten, oder es wurde ein Befehl empfangen, und die USV befindet sich im Umgehung-Modus.
	Batterietest	UPS führt einen Batterietest durch

	Batteriefehler	Die USV erkennt eine schlechte Batterie oder eine abgeklemmte Batterie
	Überlast	Einige unnötige Lasten sollten abgetrennt werden, um die Belastung zu verringern.
	Störung-Modus	Es gab ein/einige schwerwiegende(s) Problem(e).

4.3 Anzeige-Funktionen


Wenn die USV gestartet wird, erscheint der standardmäßige USV-Statuszusammenfassung-Bildschirm.

Hauptmenü	Untermenü	Anzeigeinformationen oder Menüfunktion
USV-Status		USV-Modus, IoT-Status, Datum/Uhrzeit, Batteriestatus und aktuelle Alarmer
Ereignisprotokoll		Zeigt die gespeicherte Ereignisse und Störungen an
Messwerte		[Last] W VA A P %, [Eingang/Ausgang] V Hz, [Batterie] % min V EBM, [DC-Bus] V, [Temperatur] C
Steuerung	Bypass aktivieren	Überträgt die USV auf den Umgehung-Modus
	Lastsegmente	Schaltet Lastsegmente ein/aus
	Start Batterietest	Startet einen manuellen Batterietest
	Fehlerstatus zurücksetzen	Aktive Störungsstatus löschen
	Ereignisliste zurücksetzen	Ereignisse und Störungen löschen
	Com-Karte zurücksetzen	Kommunikations-Karte in der USV zurücksetzen
	Werkzeugeinstellungen wiederherstellen	Wiederherstellen auf die werkseitigen Standardeinstellungen
Einstellungen		Siehe Kapitel 4.4 Benutzereinstellungen
Identifizierung		[Produktname], [Seriennummer], [Firmware-Version], [IP/MAC-Adresse]

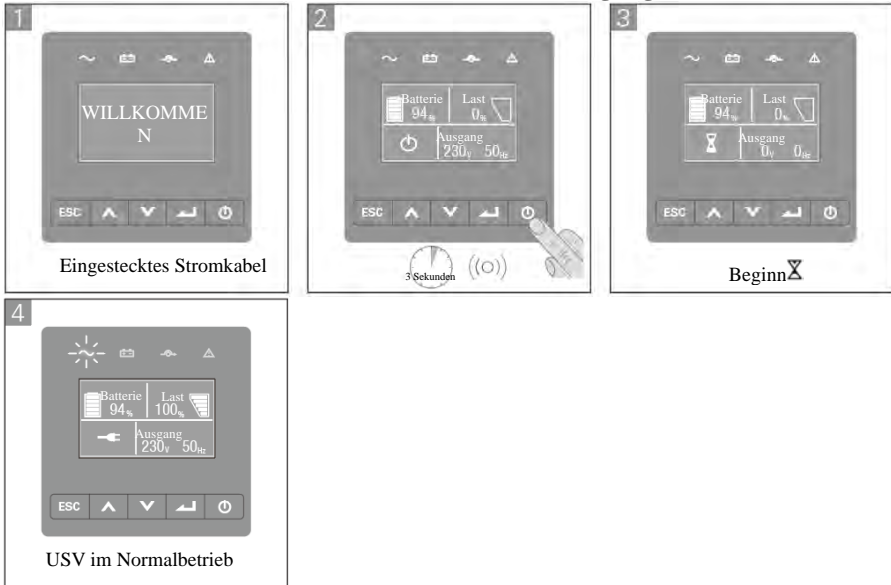
4.4 Benutzer-Einstellungen

Untermenü	Verfügbare Einstellungen	Standardeinstellungen
-----------	--------------------------	-----------------------

Untermenü	Verfügbare Einstellungen	Standardeinstellungen
Passwort	Kann vom Benutzer geändert werden	4732
Sprache wechseln	Englisch, Italienisch, Französisch, Deutsch, Spanisch, Russisch, Polnisch, 简体中文	Englisch
Benutzer-Passwort	[aktiviert, xxxx], [deaktiviert]	aktiviert
Akustische Alarme	[aktiviert], [deaktiviert]	aktiviert
Ausgangsspannung	[200 V], [208 V], [220 V], [230 V], [240 V]	[230 V] [240 V] für AU
Ausgangsfrequenz	[Autoerkennung], [Wandler 50 Hz, 60 Hz]	Autoerkennung
Hocheffizienz-Modus	[deaktiviert], [aktiviert]	deaktiviert
Automatische Umgehung	[deaktiviert], [aktiviert]	deaktiviert
Start/Automatischer Neustart/Start aus Umgehung	[deaktiviert], [aktiviert]	Kaltstart/Auto Neustart/: aktiviert Start aus Umgehung: deaktiviert
Fehler in der Anschlussverkabelung	[aktiviert], [deaktiviert]	deaktiviert
Überlast-Voralarm	[50 %~105 %]	105 %
Externe Batterie	[Automatische Erkennung], [Manuell EBM: 0~4], [Manuell Ah: 7~144 Ah]	Automatische Erkennung 0 EBM
Ladestrom	[2 A], [4 A], [6 A], [8 A] für KS-Modelle	4 A
Potentialfreies Eingangssignal	[Deaktiviert], [Fern-Ein], [Fern-Aus], [Erzwungene Umgehung]	deaktiviert
Potentialfreies Ausgangssignal	[unter Last], [auf Batterie], [niedrige Batterie], [Batterie offen], [Bypass], [ups ok]	Bypass
Umgebungstemp.-Alarm	[aktiviert], [deaktiviert]	aktiviert
Batterie-Restlaufzeit	[aktiviert], [deaktiviert]	aktiviert
Datum und Uhrzeit	TT/MM/JJJJ SS:MM	01/01/2020 00:00
LCD-Kontrast	[-5 ~ +5]	[0]
IoT	[aktiviert], [deaktiviert]	deaktiviert
Modbus-TCP	[aktiviert], [deaktiviert]	deaktiviert

 Wenn es sich bei dem Lasttyp um einen Transformatortyp handelt, wird empfohlen, die Funktion "Start aus Umgehung" (Bypass) zu aktivieren.

4.5 Inbetriebnahme der USV mit Netzversorgung

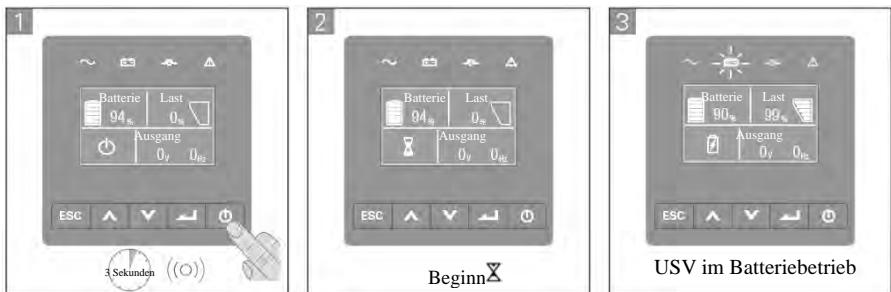


4.6 Starten der USV im Batteriebetrieb

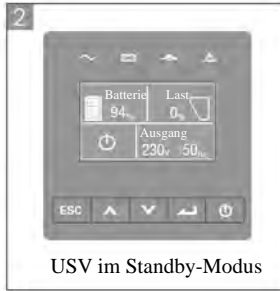
i

Vor der Verwendung dieser Funktion muss die USV mindestens einmal mit Netzstrom versorgt worden sein und der Ausgang muss mindestens einmal aktiviert worden sein.

Der Batteriestart kann deaktiviert werden. Siehe 4.4 Benutzereinstellung



4.7 USV-Abschaltung



5 Kommunikation

5.1 RS232 und USB-

1. Kommunikationskabel zum seriellen oder USB-Anschluss des Computers.
2. Schließen Sie das andere Ende des Kommunikationskabels an den RS232- oder USB-Kommunikationsanschluss der USV an.

5.2 Fernsteuerungsfunktionen des USV

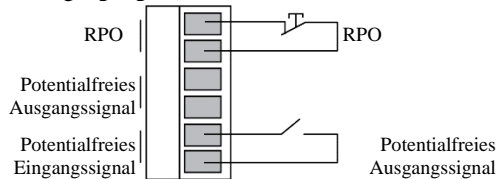
- **Ferngesteuertes Ausschalten (RPO)**

Wenn RPO aktiviert ist, schaltet die USV den Ausgang sofort ab und setzt den Alarm fort.

RPO	Anmerkungen
Verbinder-Typ	Maximum 16 AWG (ca. 1,5 mm ²) Kabel
Spezifikation des externen Leistungsschalters	60 V DC/30 V AC 20 mA max

- **Potentialfreies Eingangssignal**

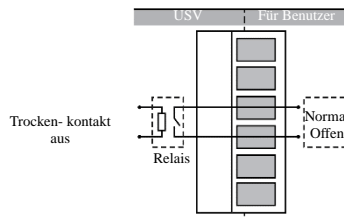
Die Eingangssignal Funktion kann konfiguriert werden (siehe Einstellungen > Potentialfreies Eingangssignal)



Potentialfreies Eingangssignal	Anmerkungen
Verbinder-Typ	Maximum 16 AWG (ca. 1,5 mm ²) Kabel
Spezifikation des externen Leistungsschalters	60 V DC/30 V AC 20 mA max

- **Potentialfreies Ausgangssignal**

Das Relais ist ein Ausgangsrelais, die Funktion kann eingerichtet werden (siehe Einstellungen > Potentialfreies Ausgangssignal)



Potentialfreies Ausgangssignal	Anmerkungen
Verbinder-Typ	Maximum 16 AWG (ca. 1,5 mm ²) Kabel
Spezifikation des inneren Relais	24 VDC/1 A

5.3 IoT

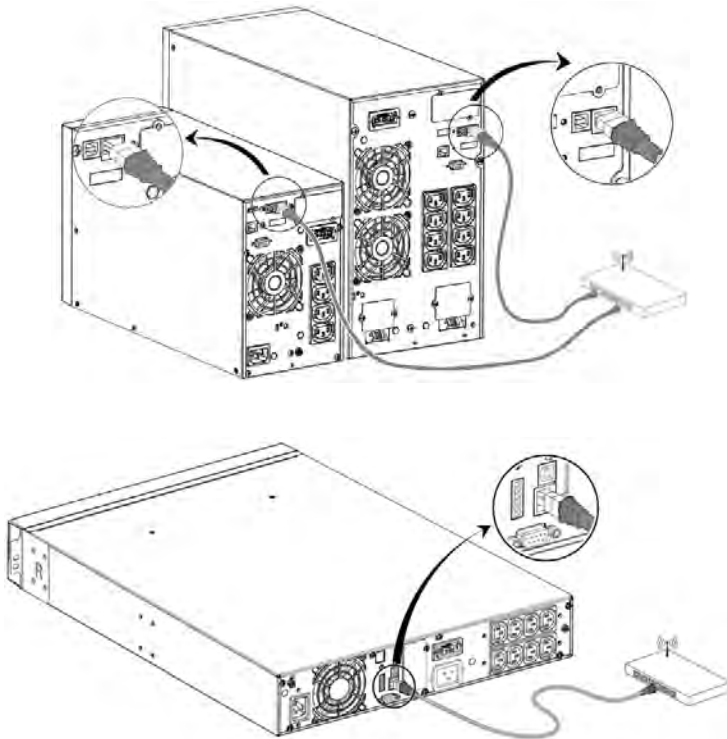
Eingebauter Ethernet-Port und WLAN-Port (optionales Zubehör) ermöglichen marktführende und benutzerfreundliche IoT-Lösungen für:

- WinPower View mobile App, mit der Sie die USV(s) fernüberwachen können und immer über kritische USV-Ereignisse informiert sind.
- Fernmeldung von USV-Störungen und -Status (wenden Sie sich für Einzelheiten an Ihren Service) aus der APP oder einem registrierten APP-Account (E-Mail-Adresse)
- Automatischer USV- und Batterie-Garantie Alarm aus der APP oder einem registrierten APP-Account (E-Mail-Adresse)

IoT-Verbindung

- Verkabelte Verbindung

1. USV und Router oder Switch mit Netzwerkkabel verbinden

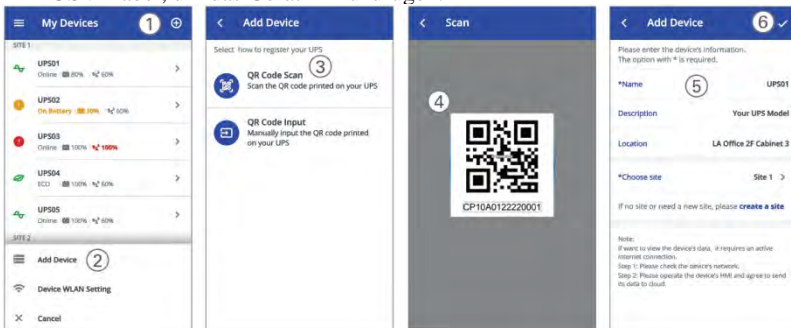


- Bitte verwenden Sie ein abgeschirmtes CAT6-Netzwerkkabel.



- Die Position des QR-Codes auf der USV dient als Referenz, abhängig von der tatsächlichen USV-Aufkleber Position.
- Stellen Sie sicher, dass Ihre IT-Einstellungen auf das öffentliche Netzwerk und Microsoft Azure Cloud zugreifen können.

- Die IoT-Funktion im LCD aktivieren (siehe Einstellungen -> IoT)
- Die „WinPower View“ im Google Play-Store oder Apple APP-Store suchen, herunterladen und installieren.
- Öffnen Sie die App, registrieren Sie einen Account, melden Sie sich an und folgen Sie den Anweisungen der App.
- Tippen Sie in der oberen rechten Ecke, scannen Sie den SN-Barcode vom USV-Label, um das Gerät hinzuzufügen.



Weitere detaillierte Informationen, Fragen und Antworten zu IoT und APP finden Sie im HELP-Menü der App.

- Kabellose-Verbindung

Das kabellose Modul ist optional, bitte wenden Sie sich für Einzelheiten an Ihren Händler vor Ort

5.4 Modbus-TCP

Der eingebaute Ethernet-Port bietet die Modbus-TCP-Funktion, um die Fernüberwachung der USV in Ihrer eigenen Software zu erleichtern. Wenden Sie sich für Protokolldetails an Ihren Service.

5.5 Intelligente Kommunikationskarte (Optional)

Die verschiedenen Kommunikationskarten Karte ermöglichen es der USV, mit verschiedenen Gerätetypen in verschiedenen Netzwerkeumgebungen zu kommunizieren. Für die PowerWalker VFI ICT/ICR IoT-Serie können die folgenden Kommunikationskarten verwendet werden. Bitte wenden Sie sich für

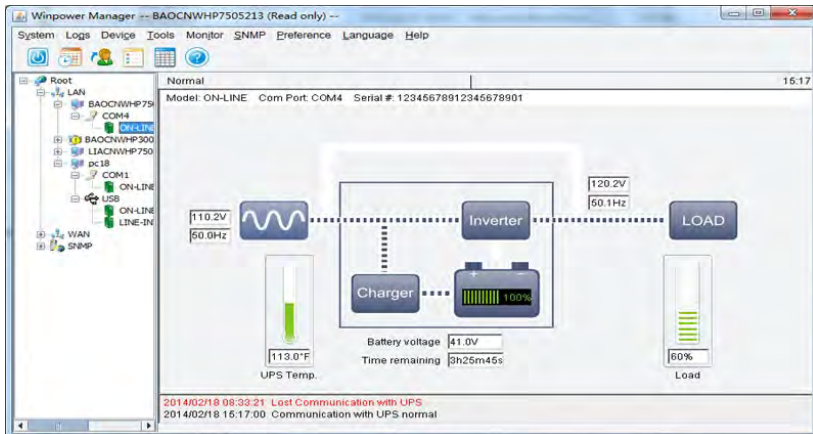
weitere Informationen an Ihren Händler vor Ort

- NMC-Karte - Ideale Überwachungslösung ermöglicht es dem Benutzer, den Status der USV über einen Webbrowser via Internet zu überwachen und zu steuern
- CMC-Karte - stellt eine Verbindung zum Modbus-Protokoll mit Standard-RS485-Signal bereit.
- AS400 G2-Karte - stellt potentialfreie Kontaktsignale für programmierbare Steuerung und Managementsysteme bereit.
- EMP - Temperatur- und Feuchtigkeitssensor zur Fernüberwachung der Umgebungsbedingungen (erfordert NMC-Karte zur Datenübertragung)

5.6 USV-Verwaltungssoftware

5.6.1 WinPower

WinPower bietet eine benutzerfreundliche Oberfläche zur Überwachung und Steuerung Ihrer USV. Diese einzigartige Software bietet ein sicheres automatisches Herunterfahren von Multi-Computer-Systemen bei Stromausfall. Mit dieser Software können Benutzer jede USV im selben LAN überwachen und steuern, unabhängig davon, wie weit sie von den USVs entfernt ist.



Installationsverfahren:

1. Gehen Sie auf die Website: <https://powerwalker.com/?page=winpower&lang=en>
2. Wählen Sie das Betriebssystem, das Sie benötigen, und folgen Sie den Anweisungen auf der Website, um die Software herunterzuladen.
3. Bei der Installation fragt das Programm nach einer Seriennummer. Geben Sie die Seriennummer: 511C1-01220-0100-478DF2A ein, um die

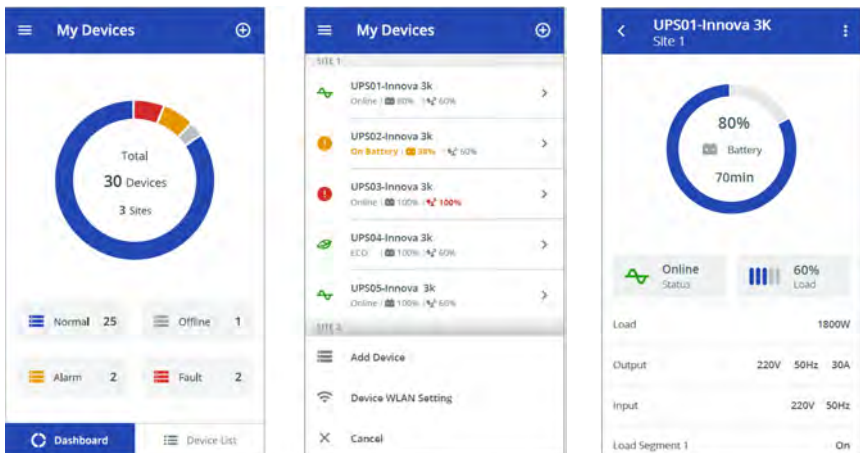
Installation fortzuführen.

Wenn Sie die Installation beendet haben, starten Sie Ihren Computer neu, die WinPower-Software erscheint als grünes Steckersymbol in der Systemablage, in der Nähe der Uhr.

5.6.2 WinPower-View APP

WinPower View ist eine mobile Anwendung, mit der Sie die mit der Cloud verbundene(n) USV(s) zentral überwachen können. Bitte laden Sie sie vom Google Play Store oder Apple APP Store herunter.

Bitte beachten Sie Kapitel 5.3. für die IoT Verbindung.



6 USV-Wartung

6.1 Pflege der Ausrüstung

Für die beste vorbeugende Wartung halten Sie den Bereich um das Gerät herum sauber und staubfrei. Wenn die Umgebung sehr staubig ist, reinigen Sie die Außenseite des Systems regelmäßig mit einem Staubsauger.

Um die volle Batterienutzungsdauer zu erreichen, sollten Sie die Geräte bei einer Umgebungstemperatur von 25°C (77°F) halten.



Die Batterien sind für eine Nutzungsdauer von 3-5 Jahren ausgelegt. Die Nutzungsdauer hängt von der Gebrauchshäufigkeit und Umgebungstemperatur ab. Batterien, die über die erwartete Nutzungsdauer hinaus verwendet werden, haben oft stark reduzierte Laufzeiten. Tauschen Sie die Batterien mindestens alle 4 Jahre aus, um die Ausrüstung mit höchster Effizienz zu betreiben.

6.2 Transport der USV



Bitte transportieren Sie die USV nur in der Originalverpackung. Wenn die USV irgendeine Art von Transport erfordert, stellen Sie sicher, dass die USV getrennt und ausgeschaltet ist.

6.3 Lagerung der USV

Wenn Sie die USV über einen längeren Zeitraum lagern, laden Sie den Akku alle 6 Monate auf, indem Sie die USV an das Stromnetz anschließen. Es wird empfohlen, die Batterien nach längerer Lagerung 48 Stunden lang aufzuladen.

Wenn die Batterien länger als 6 Monate nicht aufgeladen wurden, verwenden Sie sie nicht. Wenden Sie sich an Ihren Kundendienst.

6.4 Austausch der Batterien



TRENNEN Sie die Batterien NICHT, während sich die USV im Batteriebetrieb befindet.



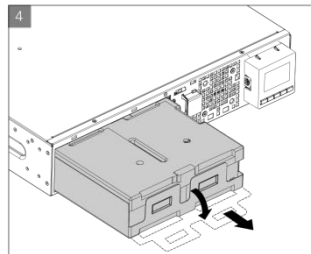
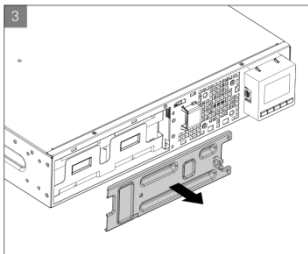
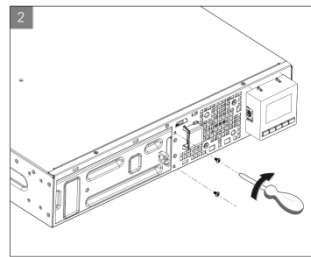
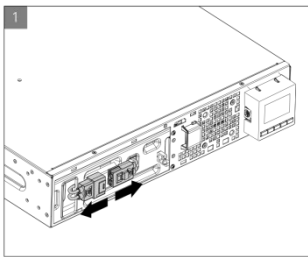
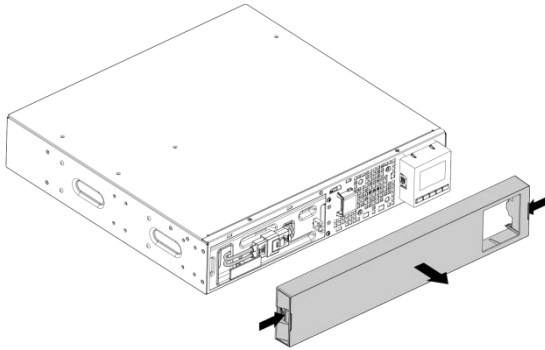
Beachten Sie alle Warnungen, Vorsichtsmaßnahmen und Hinweise, bevor Sie die Batterien austauschen.

- Die Wartung sollte von qualifiziertem Servicepersonal durchgeführt werden, das sich mit Batterien und den erforderlichen Vorsichtsmaßnahmen auskennt.

Halten Sie nicht autorisiertes Personal von den Batterien fern.



● **Austausch der internen Batterie (Für RT)**



1. Legen Sie den neuen Akkupack in die USV ein.
2. Schrauben Sie die Metallschutzabdeckungen und die Frontplatte wieder fest.
3. Testen Sie die neue Batterie.



Vergewissern Sie sich, dass die Ersatzbatterien denselben Nennwert und dieselbe Marke haben wie die auszutauschenden Batterien.

6.5 Wiederverwertung

Wenden Sie sich an Ihr örtliches Recycling- oder Schadstoffzentrum, um Informationen zur ordnungsgemäßen Entsorgung der gebrauchten USV zu erhalten.



Entsorgen Sie die Batterien nicht im Feuer. Dies kann zu einer Explosion der Batterien führen. Die Batterien müssen entsprechend den örtlichen Vorschriften ordnungsgemäß entsorgt werden.

Öffnen oder zerstören Sie die Batterien nicht. Austretender Elektrolyt kann zu Verletzungen der Haut und der Augen führen. Es kann giftig sein.



Werfen Sie die Batterien nicht in den Müll.

Dieses Produkt enthält versiegelte Bleibatterien und muss wie in diesem Handbuch erklärt entsorgt werden. Weitere Informationen erhalten Sie bei Ihren örtlichen Recyclingzentren und Wiederverwertungsanlagen.

Pb



Das Symbol der durchgestrichenen Abfalltonne auf Rädern weist darauf hin, dass Elektro- und Elektronik-Altgeräte nicht zusammen mit unsortiertem Hausmüll entsorgt werden dürfen, sondern getrennt gesammelt werden müssen. Das Produkt sollte in Übereinstimmung mit den örtlichen Umweltschutzbestimmungen für die Abfallentsorgung zum Recycling abgegeben werden.

Durch die Trennung von Elektro- und Elektronik-Altgeräten tragen Sie dazu bei, die Abfallmenge, die zur Verbrennung oder Deponierung geschickt wird, zu verringern und mögliche schädliche Auswirkungen auf die menschliche Gesundheit und die Umwelt zu minimieren.





7 Fehlerbehebung




Typische Alarmer und Störungen:

Um den USV-Status und das Ereignisprotokoll zu überprüfen:

1. Drücken Sie eine beliebige Taste auf der Anzeige an der Vorderseite um die Menüoptionen zu aktivieren.
2. Wählen Sie das Ereignisprotokoll aus und bestätigen Sie die Auswahl
3. Blättern Sie durch die aufgelisteten Ereignisse und Störungen.

In der nachfolgenden Tabelle werden typische Bedingungen beschrieben.

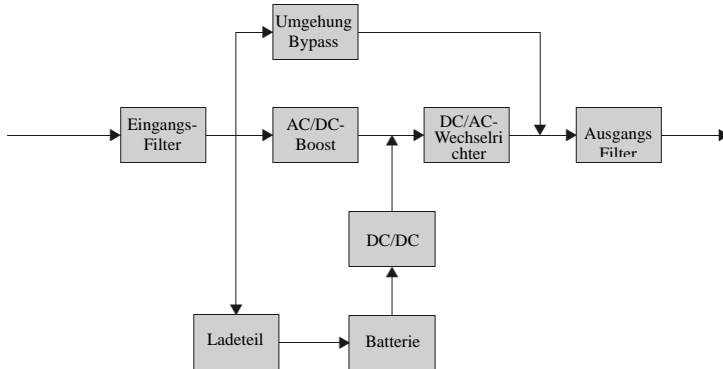
Bedingungen	Mögliche Ursache	Handlung
 Batterie-Modus Die LED leuchtet. 1 Piepton alle 4 Sekunden.	Eine Versorgungsstörung ist aufgetreten, und die USV befindet sich im Batterie-Modus.	Die USV versorgt die Ausrüstung mit Batteriestrom. Bereiten Sie Ihre Ausrüstung auf ein Herunterfahren vor.
 Batterie schwach Die LED leuchtet. 1 Piepton jede Sekunde.	Die USV befindet sich im Batterie-Modus, und die Batterie ist fast leer.	Diese Warnung ist nicht exakt. Die tatsächlich verbleibende Zeit bis zum Herunterfahren kann lastabhängig erheblich schwanken.
 Keine Batterie Die LED leuchtet. Piepton kontinuierlich.	Die Batterien sind abgeklemmt.	1. Überprüfen Sie, ob alle Batterien und das Detektorkabel (RJ45) richtig angeschlossen sind. 2. Überprüfen Sie das LCD-Menü: Einstellungen - Externe Batterie. Wenn Sie "Manuelles EBM" wählen und der Wert 0 ist, setzen Sie bitte den richtigen Wert ein.
 Batteriestörung Die LED leuchtet. Piepton kontinuierlich.	Der Batterietest ist aufgrund von schlechten oder abgeklemmten Batterien fehlgeschlagen, oder die untere Grenze der Batteriespannung wird im OBM-Zyklusmodus unterschritten.	Überprüfen Sie, ob alle Batterien ordnungsgemäß angeschlossen sind. Beginnen Sie einen neuen Batterietest: Wenn der Zustand andauert, wenden Sie sich an Ihren Servicevertreter.
Die USV liefert nicht die erwartete Sicherheitszeit.	Die Batterien müssen aufgeladen oder gewartet werden.	Schießen Sie die USV für 48 Stunden an die Netzversorgung an um die Batterien aufzuladen. Wenn der Zustand fortbesteht, wenden Sie sich an Ihren

Bedingungen	Mögliche Ursache	Handlung
		Kundendienstvertreter.
Umgehungs(Bypass)-Modus  Die LED leuchtet.	Es ist eine Überlast oder eine Störung eingetreten, oder es wurde ein Befehl empfangen und die USV befindet sich im Umgehung-Modus. Oder die automatische Umgehungsfunktion ist aktiviert.	Die Ausrüstung wird mit Strom versorgt, ist aber nicht durch die USV geschützt. Prüfen Sie, ob einer der folgenden Alarme vorliegt: Übertemperatur, Überlast, USV-Ausfall oder Einstellung der automatischen Umgehung.
Überlastung der Stromversorgung  Die LED leuchtet. 1 Piepton jede Sekunde.	Die Leistungsanforderungen übersteigen die USV-Kapazität (mehr als 105 % der Nennkapazität);	Entfernen Sie einige Ausrüstungen von der USV. Der Alarm wird zurückgesetzt, wenn die Bedingung nicht mehr gegeben ist.
Warnung bei Übertemperatur  Die LED leuchtet. 1 Piepton jede Sekunde.	Die Innentemperatur der USV ist zu hoch. In der Warnstufe gibt die USV Alarm, bleibt aber im aktuellen Betriebszustand.	Entlüftungsöffnungen freimachen und alle Wärmequellen entfernen. Sicherstellen, dass der Luftstrom um die USV nicht eingeschränkt ist.
Die USV startet nicht.	Die Eingangsquelle ist nicht richtig angeschlossen. Der RPO-Schalter (Remote Power Off) ist aktiv oder der RPO-Anschluss fehlt.	Prüfen Sie die Eingangsanschlüsse. Wenn im USV-Statusmenü der Hinweis „Remote Power Off“ angezeigt wird, deaktivieren Sie den RPO-Eingang.
Notabschaltung	RPO ist aktiv	1. den Status des RPO-Verbinders prüfen 2. den RPO-Fehler über LCD zurücksetzen. Hauptmenü - Steuerung - Fehlerzustand zurücksetzen.
Lüfterstörung	Lüfter anormal	Prüfen Sie, ob der Lüfter normal läuft
Verkabelungsfehler	Phase und Neutralleiter am Eingang der USV sind vertauscht	Verkabelungsfehlererkennung ist standardmäßig deaktiviert. Sie kann aber über das Menü LCD-Einstellungen aktiviert/deaktiviert werden. Drehen Sie den Eingangsstecker um 180° und schließen Sie ihn wieder an.
USV-Temp-Alarm	Die USV Temperatur ist zu hoch.	Prüfen Sie die Belüftung der USV und

Bedingungen	Mögliche Ursache	Handlung
	die USV geht ein Bypass oder wird ausgeschaltet.	kontrollieren Sie die Umgebungstemperatur.
Kurzschluss am Ausgang	Kurzschluss am Ausgang aufgetreten	Prüfen Sie den Ausgang der USV und die Lasten, stellen Sie sicher, dass der Kurzschluss vor dem Wiedereinschalten beseitigt wird.
APP kann keine Verbindung zur USV herstellen	IoT ist deaktiviert Ihre IT-Einstellungen blockieren möglicherweise die Verbindung der UPS mit der Cloud (NTP, Proxy usw.)	IoT-Funktion in LCD aktivieren Bitte lesen Sie die Hilfedatei der WinPowerView-Anwendung

8 Spezifikationen

8.1 USV-Schaltbild



8.2 USV-Spezifikation

Modell		1K	1KS	1,5K	1,5KS	2K	2KS	3K	3KS
Leistung	VA/Watt	1000VA/1000W		1500VA/1500W		2000VA/2000W		3000VA/3000W	
Effizienz	Online-Modus	89%				93%			
	ECO-Modus	96%				97%			
Eingangsleistung	Spannungsbereich	160-300 V 100 % Last, 110-160V bei auf 50 % der Nominallast reduzierter Last							
	Nennfrequenz	50Hz/60Hz							
	Frequenzbereich	40 Hz-70 Hz (45 Hz-55 Hz, 54 Hz-66 Hz bei Last >60 %)							

	PF	>0,99								
	THDI	<5%								
Eingangsanschluss	Steckdose (RT)	1x IEC C14				1x IEC C20				
	Steckdose (Tower)	1x IEC C14				1x IEC C20			1x Klemme	
Ausgangsleistung	Nennspannung	200/208/220/230/240 VAC (Ausgangsleistung reduziert um 10 % bei 208V und 20 % bei 200V)								
	Nennfrequenz	50Hz/60Hz								
	Maximaler PF	PF = 1								
	Spannungsabweichung	±1%								
	THDv	<1% lineare Last; <5% nicht lineare Last								
	Umschaltzeit	0ms@line <->Batterie; 4ms @ line <->Umgehung; 10ms @ ECO <->Wechselrichter								
	Scheitelfaktor	Maximal 3:1								
	Überlastvermögen	100 %< Last ≤105 % kontinuierlich. 105 %< Last ≤125 % für 5 Minuten 125< Last ≤150 % für 30 Sekunden. >150 % für 500ms.								
Ausgangsanschluss	Steckdose (RT)	1 Hauptsteckdosengruppe (mit 4 x IEC C13) 1 programmierbare Steckdosengruppe (mit 4 x IEC C13)				1 Hauptsteckdosengruppe (mit 1 x IEC C19 + 4 x IEC C13) 1 programmierbare Steckdosengruppe (mit 4 x IEC C13)				
	Steckdose (Tower IEC)	4 x IEC C13			8 x IEC C13		8 x IEC C13 1x IEC C19	8 x IEC C13 1x-Klemme		
	Steckdose (Tower-Schuko)	3 x Schuko			4 x Schuko			3 x Schuko 1x Klemme		
	Steckdose (Tower Thai)	4 x Thai			8 x Thai + 1x Klemme					
	Steckdose (Tower AU)	2 x AU			4 x AU + 1 x IEC C19					
	Lastsegmentsteuerung	RT: Ja, 1 programmierbare Lastsegmentsteuerung, Tower: NA								
Kurzschlussstrom (RMS) /Schutzzeit	Umgehungs-Modus	550A/2,8ms		550A/2,8ms		699A/7ms		699A/7ms		
	Normal/Batterie-Modus	20A/100ms		25A/100ms		36A/100ms		54A/100ms		
Batterie	Spannung	36VDC	36VDC	36VDC	36VDC	72VDC	72VDC	72VDC	72VDC	
	Kapazität (AH)	3 x 12V 7Ah	NA	3 x 12V 9Ah	NA	6 x 12V 7Ah	NA	6 x 12V 9Ah	NA	
Maximale EBM Anzahl	4									
Automatische EBM Erkennung	Ja									
Batterie im laufenden Betrieb austauschbar	Ja									
Ladeinheit	Ladeverfahren	Optimiertes Batteriemangement								
	Ladestrom	1,5A	8A	1,5A	8A	1,5A	8A	1,5A	8A	
	Aufladezeit	3 Std. bis 90 %	NA	3 Std. bis 90 %	NA	3 Std. bis 90 %	NA	3 Std. bis 90 %	NA	
Anderer Modus	CVCF (Frequenzrichter)	Ja (Reduzierung auf 60 % der Nominallast)								

HMI	Anzeige	Punktmatrix-LCD (optional Segment-LCD)	
	Sprache	Mehrsprachiges Menü	
	USB	USB 2,0 mit HID Funktion	
	RS232	Ja (DB9)	
	Potentialfreie Kontakte ein/aus	Je 1 programmierbarer potentialfreier Eingangs- und Ausgangskontakt	
	RPO	Ja	
	Steckkartenplatz	Ja (für lange Karte)	
	Netzwerkkarte	Optional, NMC-Langkarte	
	Modbus-Karte	Optional, CMC-Langkarte	
	Potentialfreie Kontakte Karte	Optional, AS400 Langkarte	
	Modul für kabellose Kommunikation	Optional	
	IOT-Ethernet-Anschluss	RJ45	
	Monitor-Software	WinPower, WinPower View APP	
Physikalische Werte	Abmessung (B x T x H) mm	RT: 438 x 445 x 85,5 (2U) Tower: 145 x 404 x 220	RT: 438 x 600 x 85,5(2U) Tower: 192 x 428 x 318
	IP-Schutzklasse	IP20	
	Kabelfixierung	RT: Optional; Tower: NA	
	Rollen	Nein	
Umgebung	Betriebstemperatur	RT: 0-40°C Tower: 0-45°C, bei 40-45°C Reduzierung auf 80 % Nominalleistung	
	Relative Luftfeuchte	0-95 %	
	Betriebshöhe	0~3.000 m (Reduzierung der Last um 1 % alle 100 m @1.000~3.000 m)	
	Lautstärke	<45 dB an der Vorderseite in 1 m Abstand	<50dB an der Vorderseite in 1 m Abstand
Zertifizierung	CE, IEC/EN 62040		
EMI	Leitung/Strahlung	C2	
EMS	ESD	IEC/EN 61000-4-2	
	RS	IEC/EN 61000-4-3	
	EFT	IEC/EN 61000-4-4	
	Überspannung	IEC/EN 61000-4-5	
Zubehör	Eingangsstromkabel	Ja	
	Ausgangskabel	Ja (Für IEC Modelle)	
	EBM-Kabel	Ja (in EBM)	
	USB-Kabel	Ja	
	RS232-Kabel	Optional	
	Schienen-Satz	Optional	
	Towerhalter	RT: Ja; Tower: Nein	
	Rack-Fixierwinkel	RT: Ja; Tower: Nein	
Handbuch (Englisch)	Ja		

Series PowerWalker VFI ICT/ICR IoT

GUIDE D'UTILISATION



Service et assistance :

Appelez votre représentant de service local

CONSIGNES DE SÉCURITÉ

CONSRVEZ CES CONSIGNES DE SÉCURITÉ. Le présent manuel contient d'importantes consignes lesquelles doivent être respectées lors de l'installation et la maintenance de l'onduleur (UPS) et des batteries.

Les modèles d'UPS en Tour sont jugés acceptables à l'utilisation dans une température ambiante comprise entre 0°C et 45°C;

Les modèles d'UPS RT sont jugés acceptables à l'utilisation dans une température ambiante comprise entre 0°C et 45°C;

Normes de certifications

- Sécurité : CEI/NE 62040-1
- CEM : CEI/NE 62040-2
- Performance : CEI/NE 62040-3.
- ISO 9001:2015.
- ISO 14001:2015.

Symboles spéciaux



RISQUE D'ÉLECTROCUTION - Respectez l'avertissement lié au symbole de risque d'électrocution.



Consignes importantes devant être respectées.



Pb

Marque de collecte sélective et de teneur en plomb de l'UE pour les batteries au plomb. Indique que la batterie ne doit pas être éliminée comme un déchet ménager « normal », mais qu'elle doit être récupérée et recyclée séparément.



Marque de collecte sélective de l'UE pour les déchets d'équipements électriques et électroniques (DEEE). Indique que l'article ne doit pas être éliminé comme un déchet ménager « normal », mais qu'il doit être récupéré et recyclé séparément.



Information, conseil, aide.



Se référer au guide d'utilisation.

Sécurité des personnes

- Le système contient de niveaux de tension dangereux. Il doit exclusivement être ouvert que par un personnel de maintenance qualifié.
- Le système doit être mis à la terre de manière appropriée.

- La batterie livrée avec le système contient d'infimes quantités de matières toxiques. Pour éviter des accidents, les directives énumérées ci-dessous doivent être respectées :
 - L'entretien des batteries doit être effectué ou supervisé par un personnel bien informé au sujet des batteries et des précautions y relatives.
 - Le risque d'explosion si la batterie est remplacée par une batterie inappropriée. Lors du remplacement des batteries, utilisez des batteries ou blocs de batteries de même type et de même nombre. Les instructions doivent contenir suffisamment de renseignements pour faciliter le remplacement de la batterie avec le type de batterie approprié et convenable.
 - **MISE EN GARDE** : N'éliminez pas les batteries dans le feu. Les batteries peuvent exploser. Éliminez les batteries usées conformément aux directives.
 - N'ouvrez pas ni détériorez les batteries. L'électrolyte libéré est dangereux pour la peau et les yeux. Il peut être toxique.
 - **MISE EN GARDE** – Une batterie peut présenter un risque d'électrocution et de courant de court-circuit élevé. Les précautions suivantes doivent être respectées lorsqu'on travaille sur les batteries :
 - Retirez les montres, les bagues, ou autres objets métalliques.
 - Utilisez les outils dotés de manches à isolation thermique.
 - Portez des gants et des bottes en caoutchouc.
 - Ne disposez pas les outils ou des pièces métalliques au-dessus des batteries.
 - Débranchez la source de charge avant de brancher ou débrancher les bornes de la batterie.
 - Rassurez-vous si la batterie a été mise à la terre par mégarde. Si elle est mise à la terre par mégarde, retirez la source de la terre. Le contact avec une quelconque partie de la batterie mise à la terre peut entraîner une électrocution. La probabilité d'une électrocution peut être réduite si les mises à la terre sont retirées lors de l'installation et de la maintenance.
 - Les batteries défectueuses peuvent atteindre des températures qui dépassent les seuils de brûlure des surfaces palpables.

Sécurité du produit

- Les directives relatives à la connexion et au fonctionnement de l'UPS décrites dans le présent guide doivent être respectées scrupuleusement suivant l'ordre indiqué.
- Classification IP du coffret de l'UPS IP20.
- **MISE EN GARDE** - Pour réduire le risque d'incendie, l'unité ne se branche qu'à un circuit doté d'un circuit de dérivation de protection contre les surintensités pour :
- L'indice de 20A, pour les modèles 3ks montés en tour, courbe de déclenchement en C. Le disjoncteur en amont pour le CA normal/le CA de dérivation doit être accessible.

- pour LES ÉQUIPEMENTS BRANCHÉS EN PERMANENCE, un dispositif de déconnexion facile d'accès doit être intégré en externe à l'équipement.
- pour LES ÉQUIPEMENTS ENFICHABLES, le prise de courant doit être facile d'accès et installée près de l'équipement
- Vérifiez que les indications sur la plaque signalétique correspondent à votre système alimenté au CA ainsi qu'à la consommation électrique réelle de l'ensemble des équipements devant être connectés au système.
- N'installez jamais le système près des liquides ou dans un environnement excessivement humide.
- Ne laissez jamais de corps étrangers pénétrer dans le système.
- N'obstruez jamais les grilles de ventilation du système.
- N'exposez jamais le système directement à la lumière du soleil ou à une source de chaleur.
- Au cas où le système doit être conservé avant l'installation, l'entreposage doit se faire dans un endroit sec.
- La plage de température admissible pour l'entreposage est comprise entre -25°C et +55 C sans les batteries, entre 0°C et +40°C avec les batteries, suggestion faite d'entreposer la batterie en deçà de 25°C)
- Cet UPS peut être utilisé dans un réseau électrique TN/IT/TT

Précautions spéciales

- L'unité est lourde : portez des chaussures de sécurité et utilisez un élévateur à ventouses de préférence pour les opérations de manutention.
- Toutes les opérations de manutention nécessiteront au moins deux personnes (désemballage, levage, installation dans le système de support).
- Avant et après l'installation, si l'UPS demeure hors tension sur une longue durée, celui-ci doit être mis sous tension pendant 24 heures au moins tous les 6 mois (pour une température d'entreposage normale inférieure à 25°C). Cela permet de charger la batterie et d'éviter d'éventuels dommages irréversibles.
- Lors du remplacement du module de batterie, il est impératif d'utiliser les éléments de même type et nombre que l'e module de batterie original livré avec l'UPS pour maintenir un niveau de performance et de sécurité identique.



Ce produit est un UPS de catégorie C2. Dans une zone résidentielle, ce produit peut entraîner des interférences radio pour lesquelles l'utilisateur pourrait être amené à prendre des dispositions supplémentaires.

Table des matières

1	Introduction	1
1.1	Protection des équipements électriques	1
1.2	Protection environnementale	2
2	Présentation du produit.....	3
2.1	Poids et Dimension.....	3
2.2	Panneaux arrières.....	5
3	Installation	9
3.1	Inspection de l'équipement	9
3.2	Vérification de l'ensemble d'accessoires.....	9
3.3	Installation de l'unité	11
3.4	Connexion des MBE(s).....	14
4	Fonctionnement	16
4.1	Panneau LCD.....	16
4.2	Description LCD.....	17
4.3	Fonctions d'affichage	19
4.4	Paramètres de l'utilisateur	19
4.5	Démarrage de l'UPS avec l'énergie électrique	21
4.6	Démarrage de l'UPS sur batterie	21
4.7	Arrêt de l'UPS	22
5	Communication	23
5.1	RS232 et USB-	23
5.2	Fonctions de commande de l'UPS	23
5.3	IoT	24
5.4	Modbus TCP.....	26
5.5	Carte intelligente (facultative)	26
5.6	Logiciel de gestion de l'UPS	26
6	Maintenance de l'UPS	29
6.1	Entretien de l'équipement.....	29
6.2	Transport de l'UPS	29
6.3	Rangement de l'équipement	29
6.4	Remplacement des batteries.....	29
6.5	Recyclage	31
7	Dépannage.....	32
8	Specifications	34
8.1	Schéma d'ensemble de l'UPS	34
8.2	Caractéristiques de l'UPS	34

1 Introduction

Merci d'avoir choisi l'unité IoT de l'UPS VFI ICT/ICR IoT pour protéger vos équipements électriques.

Nous vous recommandons de prendre du temps et lire le présent guide pour en tirer le maximum d'avantage des nombreuses fonctionnalités de l'UPS (unité d'alimentation électrique sans interruption - onduleur).

Avant d'installer l'UPS, veuillez lire le livret qui présente les directives de sécurité. Puis suivez les indications contenues dans le présent guide.

1.1 Protection des équipements électriques

L'UPS protège vos équipements électriques sensibles des problèmes d'énergie les plus ordinaires, notamment, les coupures d'électricité, les sous-tensions, les surtensions, les baisses de tensions, le bruit de ligne, les pics de tension élevés, les variations de fréquence, les phénomènes transitoires de commutation et la distorsion harmonique.

Caractéristique spéciale :

- Convertisseur double doté de sortie à onde sinusoïdale pure
- Commande entièrement numérique
- Densité de puissance élevée et sortie PF = 1
- Plage de tension d'entrée plus large : 110Vac~300Vac
- Efficacité accrue : 93 % pour 2K/3k, 89 % pour 1k
- Entrée THDi < 5 %
- Courant de chargeur plus important pour un mode de secours de longue durée : 8A, réglable de 2A à 8A par LCD
- Détection automatique de la quantité d'MBE
- Ports de communication : RPO, Entrée à contact sec, Sortie à contact sec, créneau intelligent, USB, RS232
- IoT : Ethernet (défaut) et sans fil (facultatif)
- LCD à matrice à points, il prend en charge plusieurs langues
- Mode ECO
- Démarrable sans batterie.

1.2 Protection environnementale

Les produits sont développés suivant une démarche d'éco-conception.

Substances

Le présent produit ne contient pas de CFC, HCFC ni d'asbestose.

Emballage

Pour améliorer le traitement des déchets et faciliter le recyclage, séparez les différentes composantes d'emballage.

- Le carton que nous utilisons comprend plus de 50 % de carton recyclé.
- Les enveloppes et les sacs sont faits de polyéthylène.
- Les matériaux d'emballage sont recyclables

Respectez la réglementation locale en matière d'élimination des matériaux d'emballage.

Produit

Le produit est en majorité fait de matériaux recyclables.

Le démontage et désassemblage doivent s'effectuer dans le strict respect de la réglementation locale en matière de déchets. Au terme de sa durée de service, le produit doit être transporté à un centre de recyclage, dans des structures de traitement et de réutilisation des déchets électriques et électroniques (DEEE).

Batterie

Le produit contient des batteries au plomb qui doivent être traitées conformément à la réglementation applicable aux batteries.

La batterie doit être retirée pour se conformer à la réglementation et en vue d'une élimination correcte.

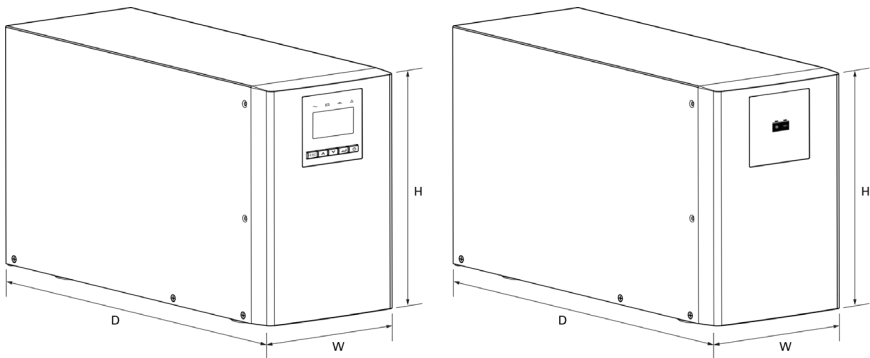
2 Présentation du produit

2.1 Poids et Dimension



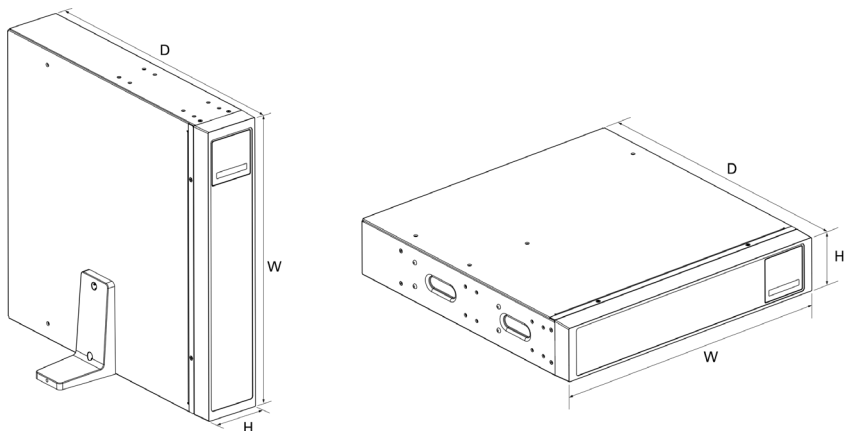
Les poids indiqués dans ce tableau sont à titre de référence. Veuillez consulter les étiquettes sur le carton pour avoir les détails.

Modèles montés en tour :



Description	Poids nets (kg)	Dimensions : P x L x H (mm)
Tour 1K	12,8	404 X 145 X 220
Tour 1KS	6,4	404 X 145 X 220
Tour 1,5K	14,3	404 X 145 X 220
Tour 1,5KS	6,7	404 X 145 X 220
Tour 2K	26,0	428 X 192 X 318
Tour 2KS	11,0	428 X 192 X 318
Tour 3K	26,4	428 X 192 X 318
Tour 3KS	11,4	428 X 192 X 318
Tour 36V MBE	16,8	404 X 145 X 220
Tour 72V MBE	38,7	428 X 192 X 318

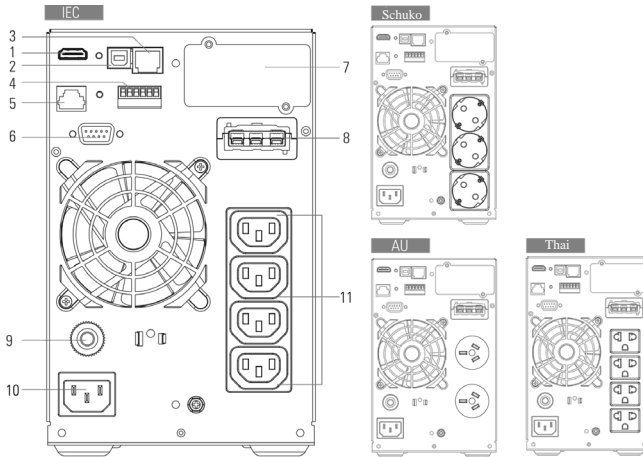
Modèles RT



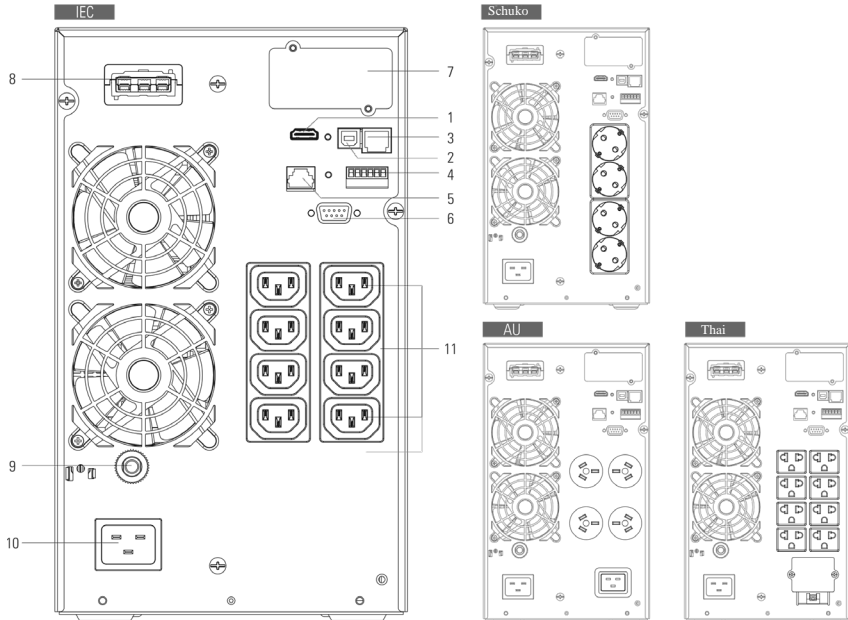
Description	Poids nets (kg)	Dimensions : P x L x H (mm)
RT 1K	14,3	445*438*85,5
RT 1KS	8,0	445*438*85,5
RT 1,5K	15,8	445*438*85,5
RT 1,5KS	8,2	445*438*85,5
RT 2K	23,3	600*438*85,5
RT 2KS	10,6	600*438*85,5
RT 3K	26,2	600*438*85,5
RT 3KS	11,0	600*438*85,5
RT 36V EBM	22,6	445*438*85,5
RT 72V EBM	39,9	600*438*85,5

2.2 Panneaux arrières

Tour 1K/1KS/1,5K/1,5KS

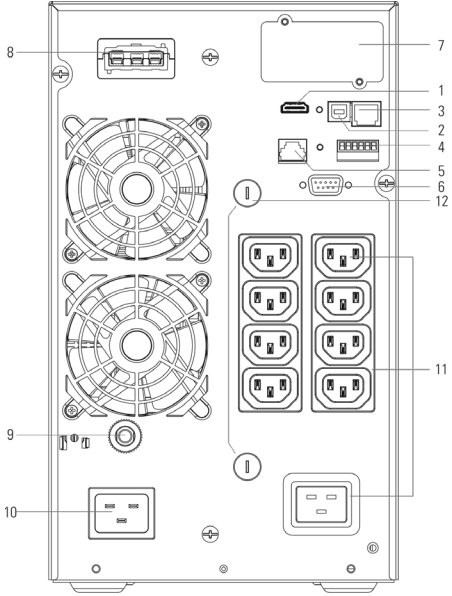


Tour 2K/2KS

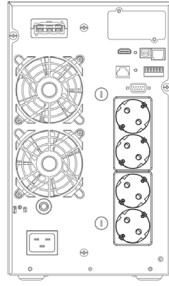


Tour 3K

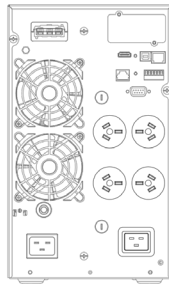
IEC



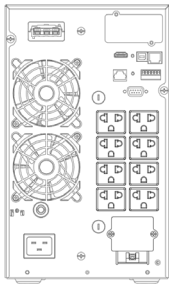
Schuko



AU

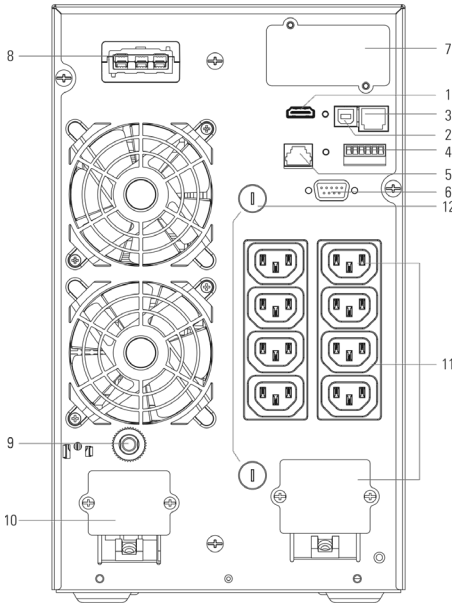


Thai

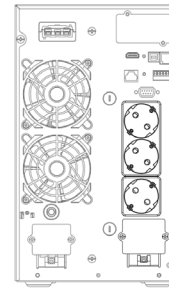


Tour 3KS

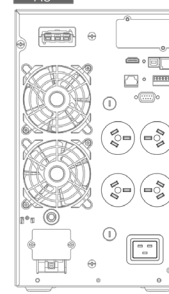
IEC



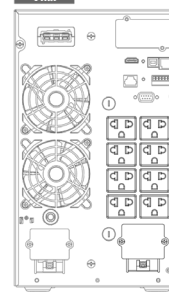
Schuko



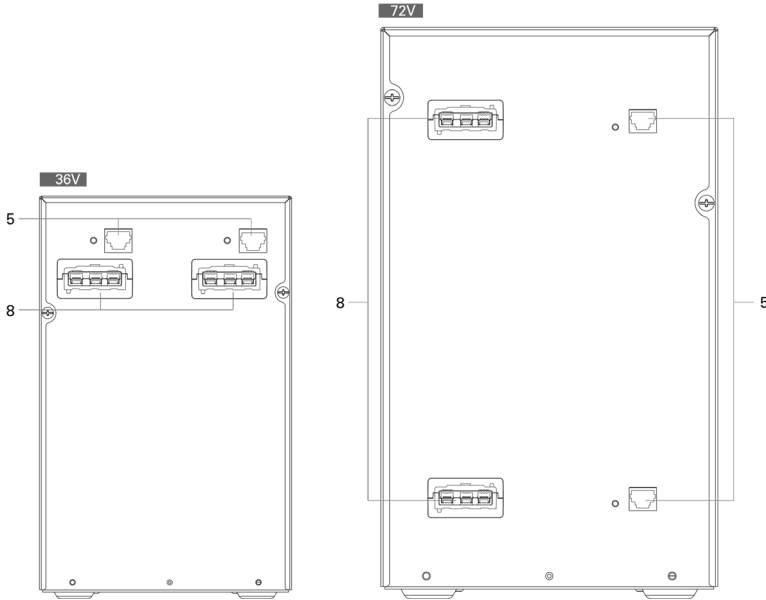
AU



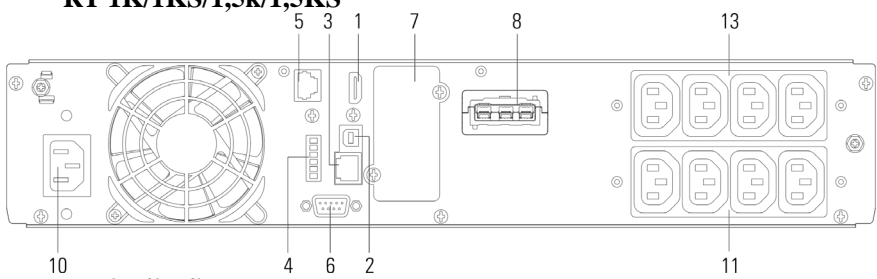
Thai



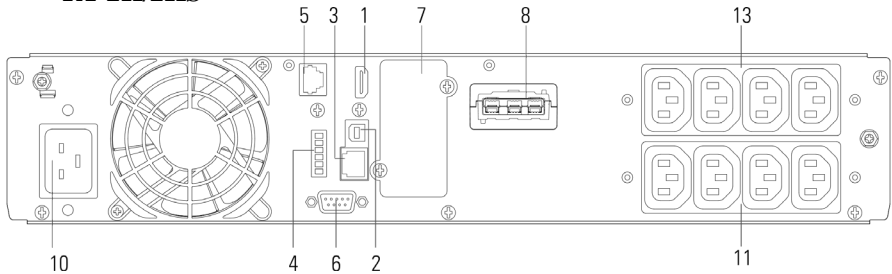
MBE en Tour



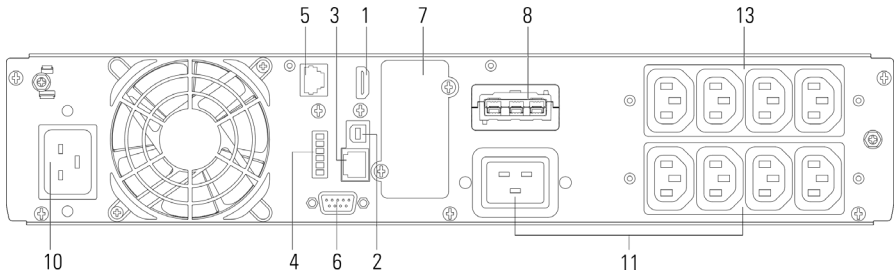
RT 1K/1KS/1,5k/1,5KS



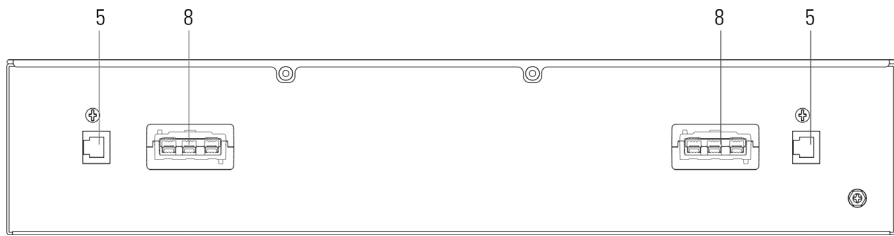
RT 2K/2KS



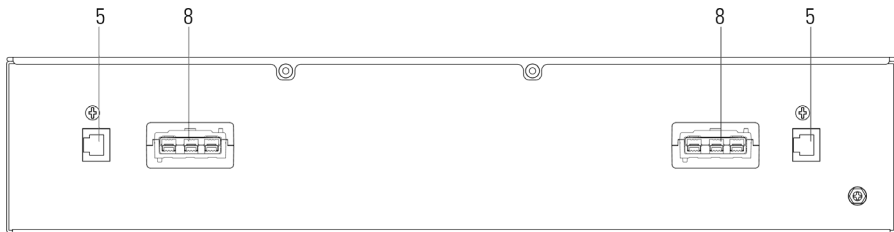
RT 3K/3KS



MBE RT 36V



MBE RT 72V



1	WLAN(HDMI)	2	USB	3	Éthernet (RJ45)
4	RPO/Entrée à contact sec/Sortie à contact sec	5	Détection automatique du MBE	6	RS232
7	Boîte de la carte magnétique	8	Connecteur du MBE	9	Disjoncteur d'entrée (facultatif)
10	Prise d'entrée Borne d'entrée	11	Prise de sortie/ Borne de sortie	12	Fusible de sortie (facultatif)
13	Prise de sortie programmable				

3 Installation

3.1 Inspection de l'équipement



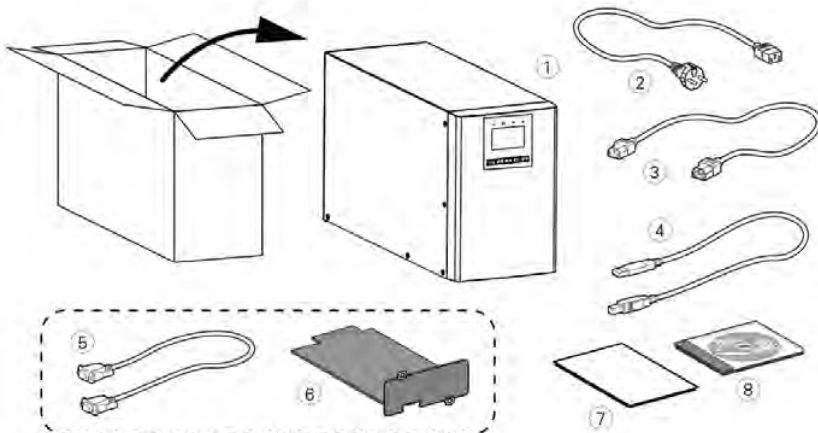
Si un quelconque équipement est endommagé au cours de l'expédition, conservez les cartons d'expédition et les matériaux d'emballage pour le transporteur ou le lieu d'achat, puis introduisez une plainte pour les dommages dus au transport. Si vous découvrez le dommage après la réception, introduisez une plainte pour dommage dissimulé.

Pour introduire une plainte pour dommage du au transport ou pour dommage dissimulé :

1. Introduisez la plainte chez le transporteur dans les 15 ours suivant la réception de l'équipement ;
2. Envoyez une copie de la plainte pour dommage à votre représentant de service dans les 15 jours.

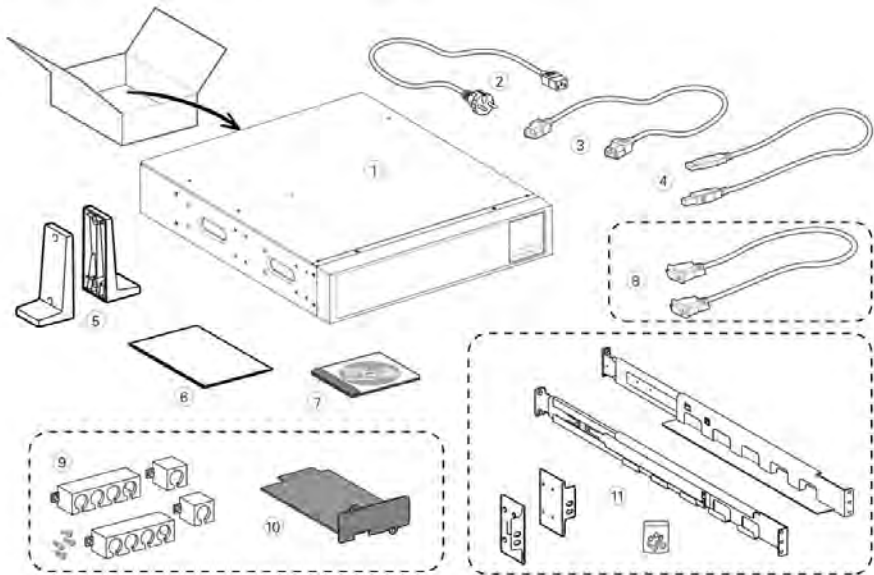
3.2 Vérification de l'ensemble d'accessoires

Modèle monté en tour



1	UPS	2	Câble d'entrée (à l'exception des modèles 3KS)	3	Câble de sortie (uniquement pour les modèles CEI)
4	Câble USB	5	Câble RS232(facultatif)	6	Carte magnétique (facultative)
7	Guide d'utilisation (Anglais)	8	Guide d'utilisation (en plusieurs langues (facultatif))		

Modèle RT



1	UPS	2	Câble d'entrée	3	Câbles de sortie
4	Câble USB	5	Supports de tour	6	Guide d'utilisation (Anglais)
7	Guide d'utilisation (en plusieurs langues (facultatif))	8	Câble RS232(facultatif)		
9	Casiers à câble (facultative)	10	Carte magnétique (facultative)	11	Ensemble de rails(facultatif)

3.3 Installation de l'unité



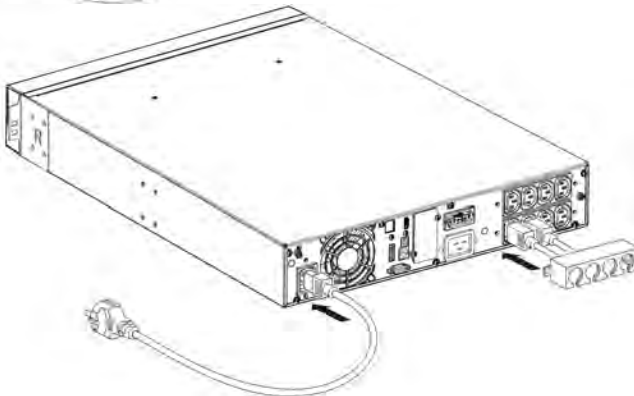
Toujours garder un espace dégagé de 200 mm derrière le panneau arrière de l'UPS.



Vérifier que les indications sur la plaque d'identification située au-dessus du couvercle de l'UPS correspondent à la source d'alimentation en CA ainsi qu'à la consommation électrique réelle de la charge totale.



1. Connecter la prise d'entrée de l'UPS dans la source d'alimentation en CA à l'aide du câble protégé de l'équipement.
2. Connecter les charges à l'UPS en se servant des câbles.



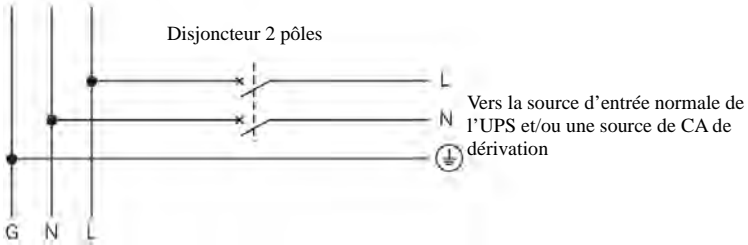
Remarque : L'UPS charge la batterie aussitôt qu'il est branché à la source d'alimentation en CA, même si le bouton n'est pas appuyé.



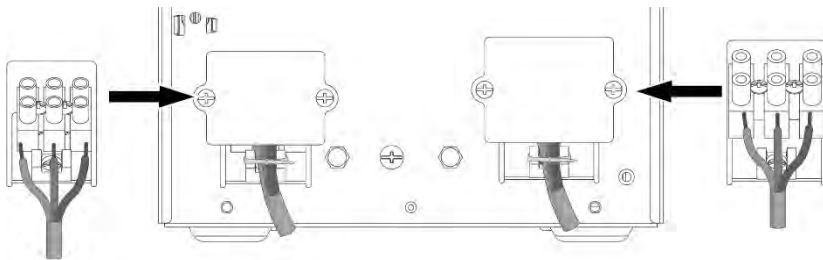
Une fois que l'UPS est connecté à la source d'alimentation, 8 heures de charge sont requises pour permettre à la batterie d'atteindre la durée sauvegarde nominale.

- Protection en amont recommandée

Modèle d'UPS	Disjoncteur en amont
Tour 3KS	Courbe C -20A



- Connexion de la borne d'entrée et de la borne de sortie :



Tour 3KS	Minimum de section requise/Couple	Capacité du bloc de branchement
Entrée L, N, G Coupe transversale du conducteur	2,5 mm ² /(0.3 N·m)	4 mm ²
Sortie L, N, G Coupe transversale du conducteur	4 mm ² /(0.8 N·m)	10 mm ²



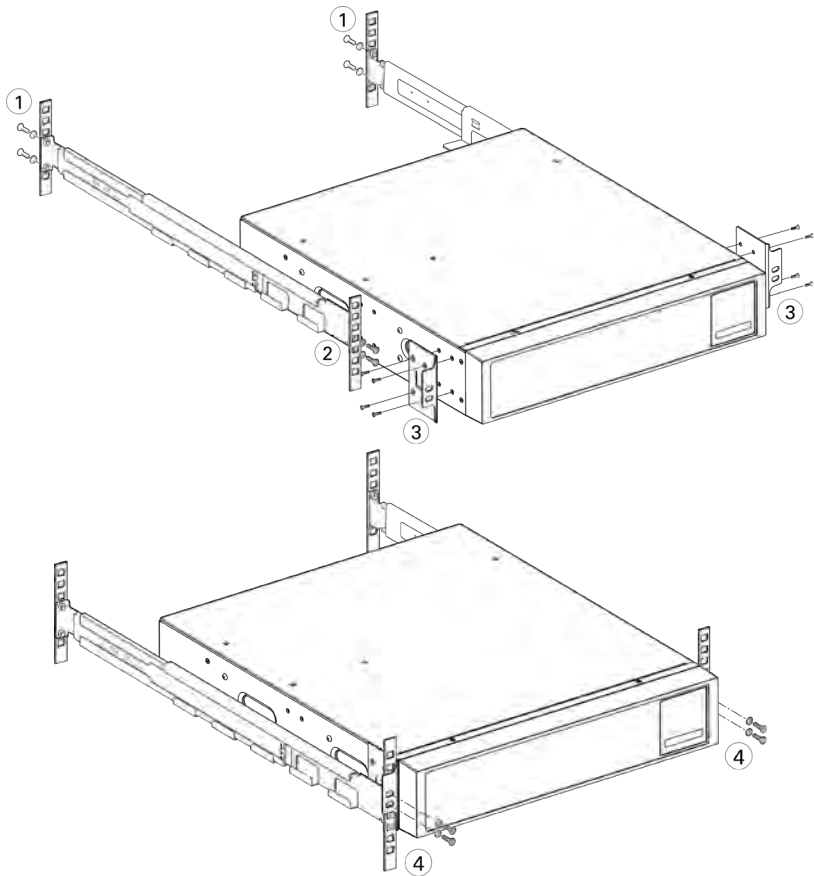
Remarque : Tour 3KS, le câble de sortie doit être moins de 3 m.

Le démarrage de la batterie peut être désactivé. Se référer au Chapitre 4.4 Paramètres de l'utilisateur.

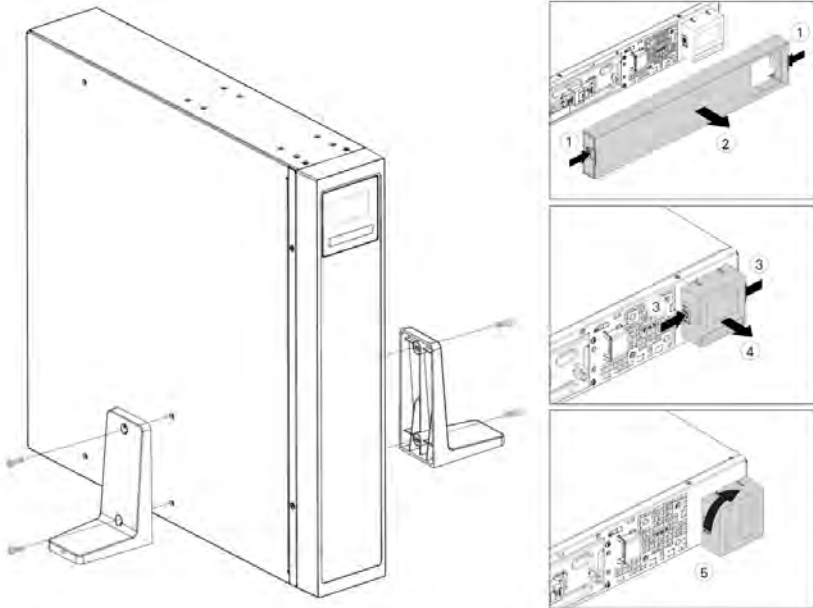
3.3.1 Modèles RT

- **Installation de la baie**

Suivre les étapes 1 à 4 pour monter le module sur les rails.



● **Installation en tour**



3.4 Connexion des MBE(s)

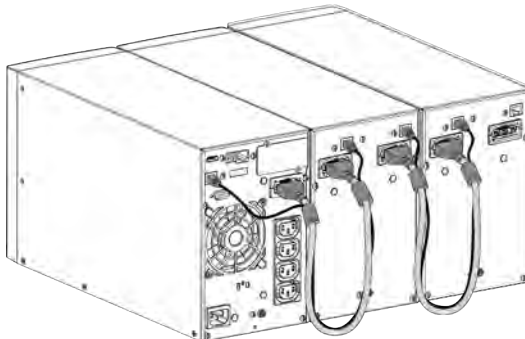


Un petit arc électrique peut se former lors de la connexion d'un MBE à l'UPS. C'est normal et cela ne fera de mal à personne.

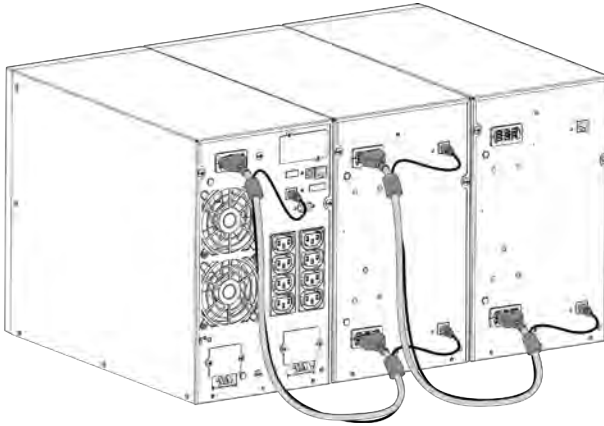
Jusqu'à 4 MBE peuvent être connectés à L'UPS.

3.4.1 Modèles en tour

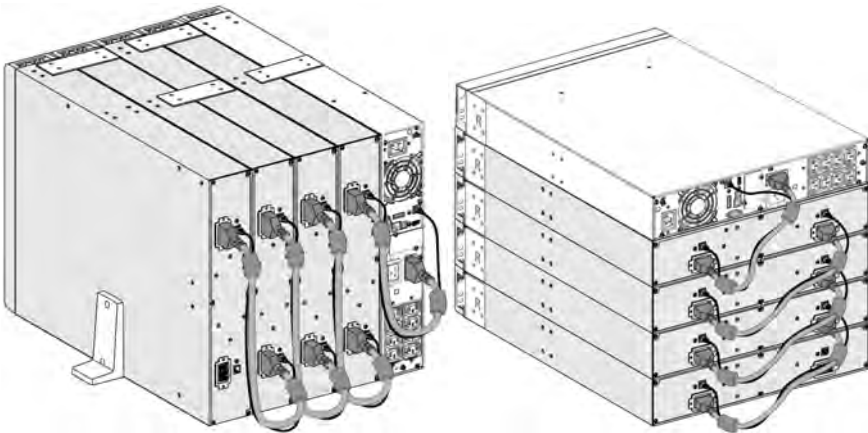
1k/1,5k



2k/3k



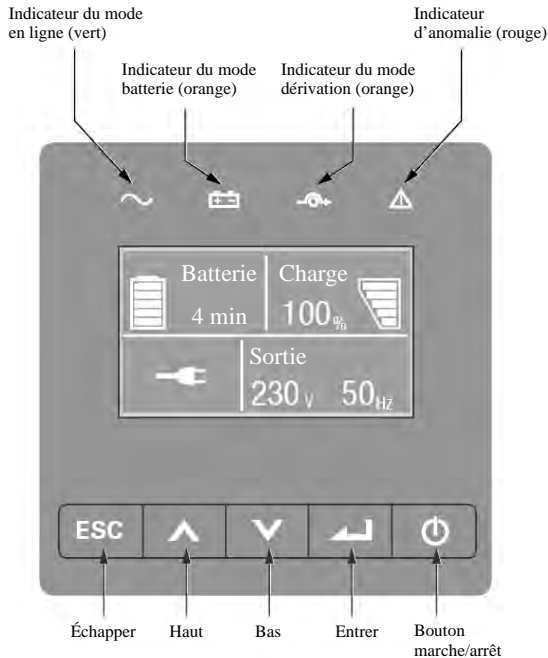
3.4.2 Modèles RT



4 Fonctionnement

4.1 Panneau LCD

L'UPS fournit des renseignements utiles au sujet de l'UPS lui-même, l'état de charge, les évènements, les mesures et les paramètres.








Le tableau ci-dessous montre l'état de l'indicateur et la description :

Indicateur	État	Description
 Vert	Allumé	L'UPS fonctionne normalement en mode En ligne ou en mode Haute Fréquence.
 Jaune	Allumé	L'UPS est sur mode batterie.
 Jaune	Allumé	L'UPS est sur mode dérivation (Bypass).
 Rouge	Allumé	L'UPS dispose d'une alarme active ou à une anomalie. Consultez le Chapitre 7 résolution de pannes pour avoir des renseignements

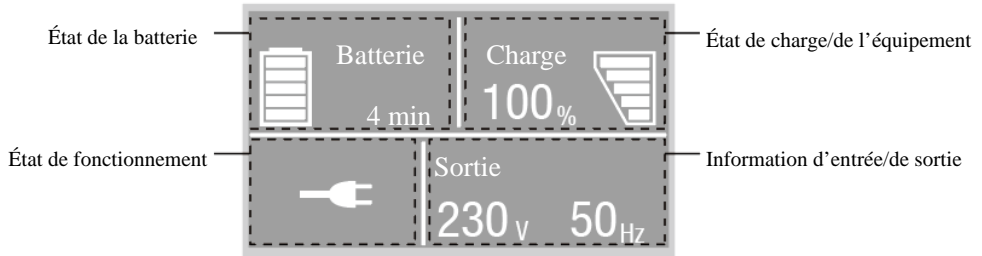
		supplémentaires.
--	--	------------------

Le tableau ci-dessous montre l'état de l'indicateur et la description :



Le bouton	Fonction	Illustration
	Mise sous tension	Appuyer le bouton pendant >100ms et < 1s peut allumer l'UPS sans tension d'entrée avec la batterie connectée
	Mise en marche	Lorsque l'unité est mise sous tension, appuyer le bouton pendant > 1s peut mettre en marche l'UPS
	Extinction	Appuyer le bouton pendant > 3s peut éteindre l'UPS
	Défiler vers le haut	Appuyer pour faire défiler vers le haut l'option du menu
	Défiler vers le bas	Appuyer pour faire défiler vers le bas l'option du menu
	Entrer dans le menu	Sélectionner/Confirmer la sélection actuelle
	Sortir du menu actuel	Appuyer pour sortir du menu actuel pour le menu principal ou le niveau supérieur du menu sans changer un paramètre
	Mettre l'avertisseur en sourdine	Appuyer le bouton pour momentanément mettre l'avertisseur en sourdine. Dès qu'un nouvel avertissement ou une nouvelle anomalie est active, l'avertisseur réagira à nouveau

4.2 Description LCD

Le panneau LCD translucide s'assombrit automatiquement après 10 minutes d'inactivité. Appuyer n'importe quel bouton pour restaurer l'écran.



État de fonctionnement	Cause	Description
	Mode veille	L'UPS est éteint sans puissance de sortie.
	Mode en ligne	L'UPS fonctionne normalement et protège l'équipement.
 1 bip toutes les 4 secondes	Mode batterie	Une panne d'électricité s'est produite. L'UPS alimente l'équipement en énergie électrique avec la batterie. Préparez l'extinction de votre équipement.
 1 bip toutes les 1 secondes	Mode batterie avec une batterie faible	Cet avertissement est approximatif. Et le temps d'extinction réel peut varier de façon significative.
	Mode haute efficacité	Dès que les réseaux sont perdus ou anormaux, l'UPS pourrait basculer au mode ligne ou au mode batterie et continuer à fournir la charge électrique.
	Mode convertisseur	L'UPS pourrait fonctionner en autonomie avec une fréquence de sortie fixe (50Hz ou 60Hz). La puissance de la charge électrique doit être réduite à 60 % sous le mode convertisseur.
	Mode dérivation	Une surcharge ou une anomalie s'est produite, ou une commande a été reçue et l'UPS est en mode dérivation.
	Test de batterie	L'UPS exécute un test de batterie
	Anomalie de batterie	L'UPS détecte une mauvaise batterie ou que la batterie est déconnectée

	Surcharge	Des charges non nécessaires doivent être supprimées pour réduire la charge.
	Mode anomalie	De graves soucis se sont produits.

4.3 Fonctions d'affichage

Lors du démarrage de l'UPS, l'affichage se trouve à l'état d'écran sommaire par défaut.

Menu principal	Menu secondaire	Afficher les informations ou la fonction du menu
État de l'UPS		Mode UPS, état IoT, date/heure ; état de la batterie et les alarmes actuelles
Journal des évènements		Affiche les évènements et les anomalies enregistrés
Mesures		[Charge] W VA A P %, [Entrée/Sortie] V Hz, [Batterie] % min V MBE, [Bus CC] V, [Température] C
Commande	Passer en dérivation	Bascule l'UPS en mode dérivation
	Plot de charge	Plot de charge allumé/éteint
	Commencer le test de batterie	Commence un test de batterie manuel
	Réinitialiser l'état d'anomalie	Effacer l'anomalie actuelle
	Réinitialiser la carte com	Réinitialiser la carte com à l'intérieur de l'UPS
Paramètres	Restaurer les paramètres d'usine	Restaurer les paramètres d'usine par défaut
		Se référer au Chapitre 4.4 Paramètres de l'utilisateur
Identification		[Nom du produit], [Numéro de série], [version du micrologiciel], [Adresse IP/MAC]

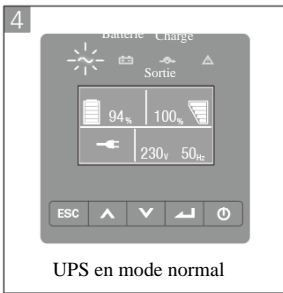
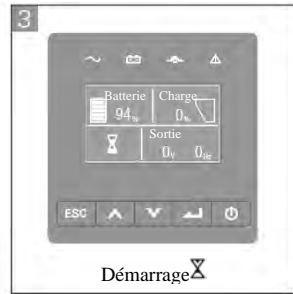
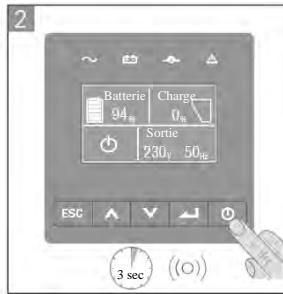
4.4 Paramètres de l'utilisateur

Menu secondaire	Paramètres disponibles	Paramètres par défaut
Mot de passe	Peut être modifié par l'utilisateur	4732
Changer la langue	English, Italiano, Français, Deutsch, Español, Русский, Polski, 简体中文	Anglais

Mot de passe de l'utilisateur	[activé, ****], [désactivé]	activé
Alarmes audibles	[activé], [désactivé]	activé
Tension de sortie	[200V], [208V], [220V], [230V], [240V]	[230V] [240V] pour AU
Fréquence de sortie	[détection automatique], [convertisseur 50Hz, 60Hz]	détection automatique
Mode haute efficacité	[activé], [désactivé]	désactivé
Dérivation automatique	[activé], [désactivé]	désactivé
Démarrage/Démarrage automatique/ Démarrage par dérivation	[activé], [désactivé]	Démarrage à froid/Démarrage automatique: activé Démarrage par dérivation: désactivé
Anomalie de câble du site	[activé], [désactivé]	désactivé
Alarme de surcharge initiale	[50 %~105 %]	105 %
Batterie externe	[Détection automatique], [MBE manuel : 0~4], [Ah manuel : 7~144Ah]	Détection automatique MBE 0
Courant de chargeur	[2A], [4A], [6A], [8A] pour un modèle de sauvegarde de longue durée	4A
Signal d'entrée à contact sec	[Désactivé], [Distance activée], [Distance arrêtée], [Dérivation forcée]	désactivé
Signal de sortie à contact sec	[charge alimentée], [sur bat], [Bat faible], [batterie ouverte], [dérivation], [UPS ok]	Dérivation
Alarme de la température ambiante	[activé], [désactivé]	activé
Durée de la batterie restante	[activé], [désactivé]	activé
Date et heure	jj/mm/aaa hh:mm	01/01/2020 00:00
Contraste LCD	[-5 ~ +5]	[0]
IoT	[activé], [désactivé]	désactivé
Modbus TCP	[activé], [désactivé]	désactivé

i Si le type de charge est de type transformateur, il est recommandé d'activer la fonction « démarrage par dérivation ».

4.5 Démarrage de l'UPS avec l'énergie électrique

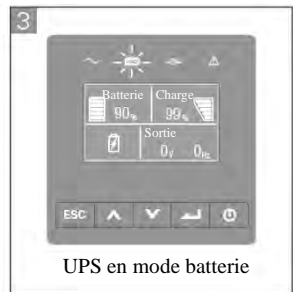
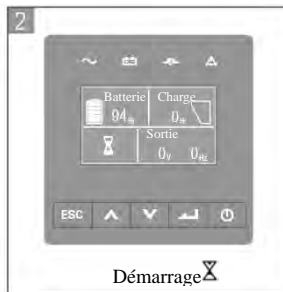
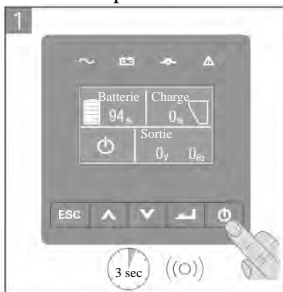


4.6 Démarrage de l'UPS sur batterie

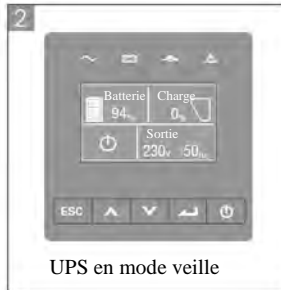
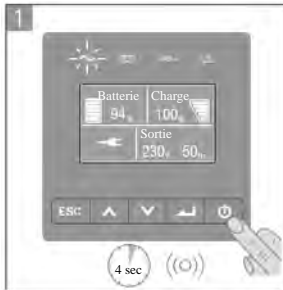


Avant d'utiliser cette fonctionnalité, l'UPS doit avoir été alimenté par l'énergie électrique, la sortie ayant été activée au moins une fois.

Le démarrage sur batterie peut être désactivé. Se référer au chapitre 4.4 paramètres de l'utilisateur



4.7 Arrêt de l'UPS



5 Communication

5.1 RS232 et USB-

1. Le câble de communication au port série ou USB sur l'ordinateur.
2. Connecter l'autre extrémité du câble de communication au RS232 ou au port de communication USB sur l'UPS.

5.2 Fonctions de commande de l'UPS

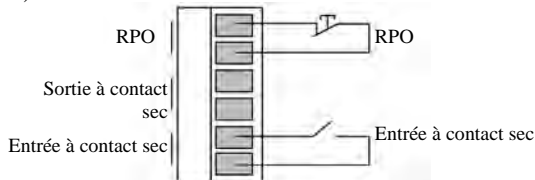
- **Désactivation à distance (RPO)**

Lorsque la RPO est activée, l'UPS va immédiatement couper la tension de sortie et continuer à émettre l'alarme.

RPO	Commentaires
Type de connecteur	16 câbles AWG maximum
Spécification du disjoncteur externe	60 V CC/30 V CA 20 mA max

- **Entrée à contact sec**

La fonction Entrée à contact sec peut être configurée (voir Paramètres > Entrée à contact sec)

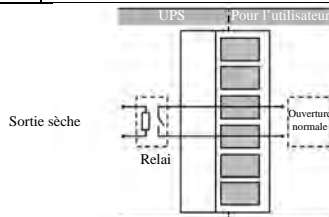


Entrée à contact sec	Commentaires
Type de connecteur	16 câbles AWG maximum
Spécification du disjoncteur externe	60 V CC/30 V CA 20 mA max

- **Sortie à contact sec**

La Sortie à contact sec est le relais de sortie, la fonction Sortie à contact sec peut être configurée (voir Paramètres > Sortie à contact sec)

Sortie à contact sec	Commentaires
Type de connecteur	16 câbles AWG maximum
Spécification du relais interne	24Vdc/1A



Sortie à contact sec	Commentaires
----------------------	--------------

Type de connecteur	16 câbles AWG maximum
Spécification du relais interne	24Vdc/1A

5.3 IoT

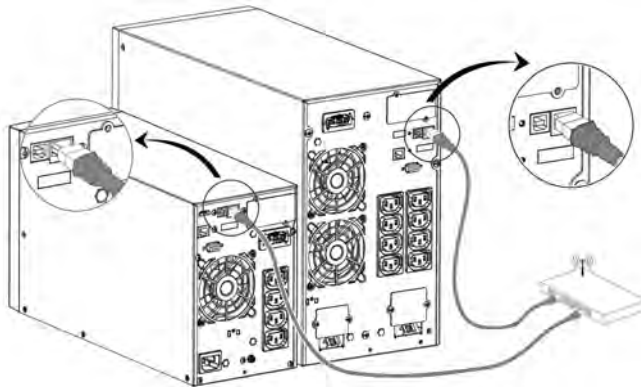
Le port ethernet et le port WLAN (accessoire facultatif) intégrés offrent des solutions IoT innovantes et faciles d'usage pour :

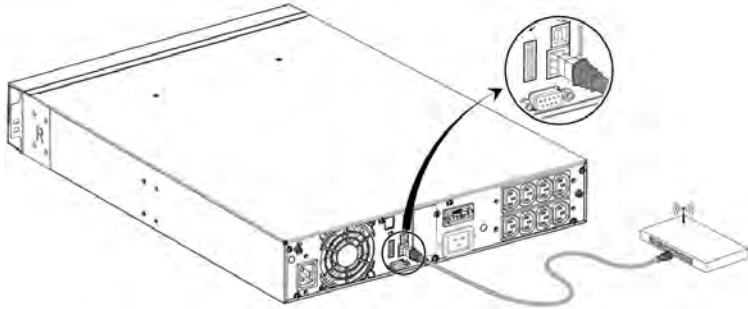
- L'application mobile Winpower View qui permet de surveiller l'UPS à distance et de s'informer au sujet des situations critiques que connaît l'UPS.
- Signaler à distance les anomalies et l'état de l'UPS (contacter votre service pour les détails) à partir d'une application ou du compte enregistré d'une APP (courriel)
- Signaler automatiquement la garantie de l'UPS et de la batterie à partir d'une APP ou du compte enregistré d'une APP (courriel)

Connexion IoT


- Connexion câblée

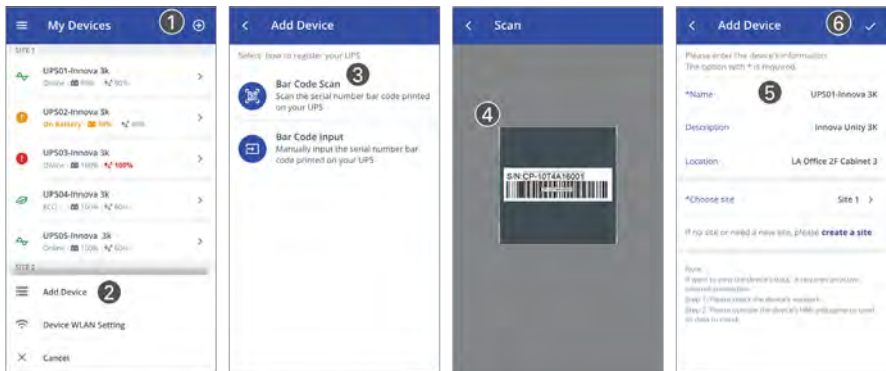
1. Connecter l'UPS et le routeur ou le commutateur au réseau câblé





- Veuillez utiliser le câble de réseau blindé CAT6.
- La position du code QR sur l'UPS est à titre de référence, sous réserve de l'étiquette réelle de l'UPS.
- Rassurez-vous que vos paramètres IT peuvent avoir accès au réseau public et à Microsoft Azure Cloud.

2. Activer la fonction IoT dans LCD (voir les Paramètres -> IoT)
3. Rechercher l'application « WinPower View » à partir de Google Play store ou Apple APP store, puis télécharger et installer.
4. Ouvrir l'application, enregistrer un compte, se connecter, suivre les instructions de l'application.
5. Appuyer  sur le coin supérieur droit, scanner le code barre SN sur l'étiquette de l'UPS pour ajouter un appareil.



Pour avoir davantage d'informations détaillées et Q&A au sujet de l'IoT et l'APP, veuillez consulter le menu AIDE dans l'application.

- **Connexion sans fil**

Le module sans fil est facultatif. Veuillez contacter votre distributeur local pour les détails

5.4 Modbus TCP

Le port ethernet intégré offre une fonctionnalité de Modbus TCP pour faciliter la surveillance à distance de l'UPS dans votre propre logiciel. Contacter votre service pour les détails de protocole.

5.5 Carte intelligente (facultative)

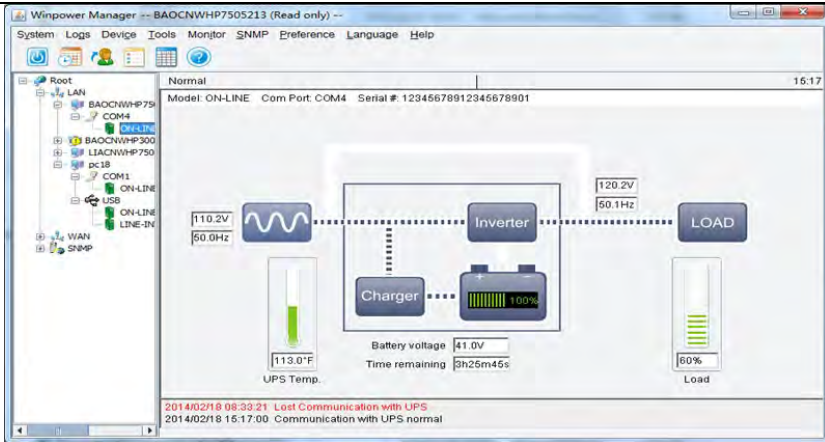
La carte intelligente permet à l'UPS de communiquer avec divers types de dispositifs dans différents environnements de réseaux. L'unité VFI ICT/ICR IoT peut utiliser les cartes de connexion suivantes. Veuillez contacter votre distributeur local pour les détails

- Carte NMC Card - solution de surveillance idéale qui permet à l'utilisateur de surveiller et de commander l'état de l'UPS sur un navigateur Web sur Internet
- Carte CMC - permet la connexion au protocole Modbus avec un signal RS485 ordinaire.
- Carte AS400 G2 - Permet des signaux de contact sec sans tension pour l'unité de commande programmable et le système de gestion
- EMP - Soutient les capteurs de température et d'humidité dans la surveillance distancée de l'environnement. Il devrait fonctionner avec une carte NMC

5.6 Logiciel de gestion de l'UPS

5.6.1 WinPower

Winpower propose une interface conviviale pour surveiller et commander votre UPS. Ce logiciel unique permet l'arrêt automatique en toute sécurité aux systèmes fonctionnant sur plusieurs ordinateurs en cas de panne d'alimentation. Avec ce logiciel, les utilisateurs peuvent surveiller et commander tous les UPS sur le même LAN quelle que soit leur distance des onduleurs.



Procédure d'installation :

1. Visiter le site Internet

<https://powerwalker.com/?page=winpower&lang=en>

2. Choisir le système d'exploitation dont vous avez besoin et suivre l'instruction décrite sur le site Internet pour télécharger le logiciel.

3. Pendant le téléchargement de tous les fichiers requis à partir d'Internet, entrer le numéro de série : 511C1-01220-0100-478DF2A pour installer le logiciel.

Au terme de l'installation, redémarrer l'ordinateur, le logiciel WinPower apparaîtra comme une icône de branchement verte sur la barre des tâches, près de l'horloge

5.6.2 L'application WinPower View

WinPower View est une application mobile qui vous permet de centraliser la surveillance des onduleurs connectés au Cloud. Veuillez la télécharger sur Google Play store ou Apple APP store.

Veuillez-vous référer au Chapitre 5.3 pour la connexion IoT.



My Devices

SITE 1

- UPS01-Innova 3k
Online | 80% | 70min
- UPS02-Innova 3k
On Battery | 88% | 60min
- UPS03-Innova 3k
Online | 100% | 100%
- UPS04-Innova 3k
ECO | 100% | 60min
- UPS05-Innova 3k
Online | 100% | 60min

SITE 2

SITE 3

Add Device

Device WLAN Setting

Cancel



6 Maintenance de l'UPS

6.1 Entretien de l'équipement

Pour une meilleure maintenance préventive, garder la zone autour de l'équipement propre et sans poussière. Si l'atmosphère est très poussiéreuse, nettoyer l'extérieur du système à l'aide d'un aspirateur.

Pour une durée complète de la batterie, garder l'équipement à une température ambiante de 25°C (77°F).



Les batteries sont prévues pour une durée de vie comprise entre 3 et 5 ans. La durée de la longévité varie, en fonction de la fréquence d'utilisation et de la température ambiante. Les batteries utilisées au-delà de leur durée de vie présentent souvent des durées de fonctionnement très réduites. Remplacer les batteries tous les 4 ans pour permettre aux unités de fonctionner avec le maximum d'efficacité.

6.2 Transport de l'UPS



Veuillez transporter l'UPS uniquement dans son emballage d'origine. Si l'UPS nécessite un quelconque type de transport, vérifier qu'il est débranché et éteint.

6.3 Rangement de l'équipement

Si vous rangez l'équipement pour une longue durée, recharger la batterie tous les 6 mois en branchant l'UPS à l'énergie électrique. Il est recommandé de charger les batteries pendant 48 heures après une longue période d'entreposage.

Si les batteries restent non rechargées pendant plus de 6 mois, ne les utilisez plus. Contacter votre représentant de service.

6.4 Remplacement des batteries



NE DÉBRANCHEZ PAS les batteries pendant que l'UPS se trouve en mode batterie.



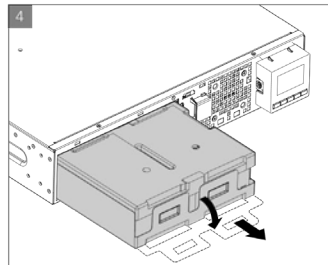
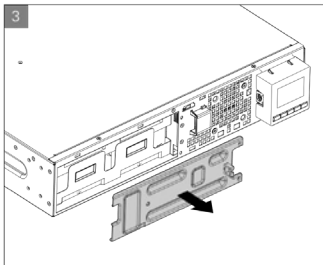
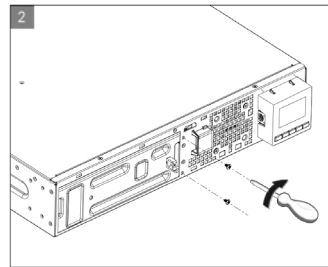
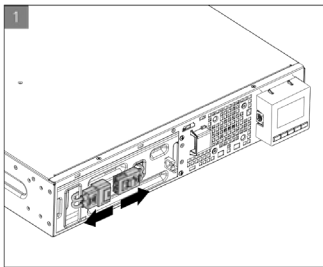
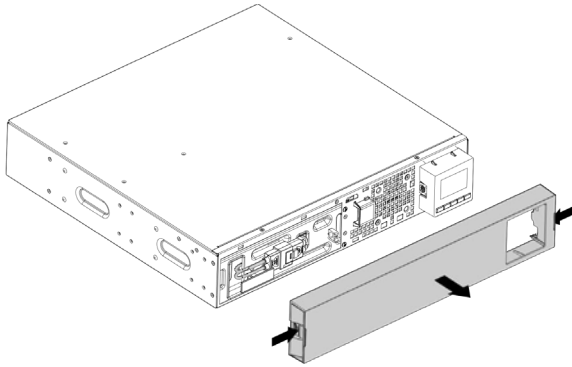
Tenir compte de toutes les mises en garde et remarques ainsi que de tous les avertissements avant de remplacer les batteries.

- L'entretien doit être effectué par un personnel de service qualifié ayant une

bonne connaissance des batteries, ainsi que des précautions exigées. Ternir le personnel non autorisé éloigné des batteries.



• **Remplacement de la batterie interne (pour RT)**



1. Placer le nouveau bloc batterie dans l'UPS.
2. Desserrer les couvercles de protection métallique et le panneau avant.
3. Test des nouvelles batteries.



Vérifier que les batteries de remplacement ont les mêmes caractéristiques assignées et qu'elles sont de même marque que les batteries devant être

remplacées.

6.5 Recyclage



Contactez votre centre local de recyclage ou traitement de déchets dangereux pour obtenir des renseignements relatifs à l'élimination correcte des équipements utilisés.

N'éliminez pas les batteries dans le feu. Ceci peut causer une explosion de la batterie. Les batteries doivent être éliminées de manière appropriée, conformément à la réglementation locale.

N'ouvrez pas ni détériorez les batteries. L'électrolyte en fuite peut causer des dommages à la peau et aux yeux. Il peut être toxique.



Pb

N'éliminez pas les batteries dans la poubelle.

Ce produit contient des batteries scellées au plomb acide et doit être éliminé suivant l'explication donnée dans le présent guide. Pour des renseignements supplémentaires, contactez vos centres de recyclage locaux, ainsi que les structures de traitement et de réutilisation.



Le symbole de la poubelle à roue barrée indique que les déchets d'équipements électriques et électroniques ne doivent pas être jetés ensemble avec des déchets ménagers non triés. Ils doivent être collectés séparément. Le produit doit être remis au recyclage conformément à la réglementation environnementale locale relative à l'élimination des déchets.

En triant les déchets des équipements électriques et électroniques, vous contribuerez à la réduction du volume de déchets envoyés à l'incinération ou dans les décharges et minimiserez les possibles impacts négatifs sur la santé environnementale et humaine.





7 Dépannage




Alarmes ordinaires et anomalies :

Pour vérifier l'état de l'UPS et le journal des événements :

1. Appuyer n'importe quel bouton sur l'afficheur du panneau avant pour activer les options du menu.
2. Appuyer le bouton pour sélectionner le journal des événements.
3. Naviguer à travers les événements et les anomalies.

Le tableau ci-dessous décrit des conditions ordinaires.

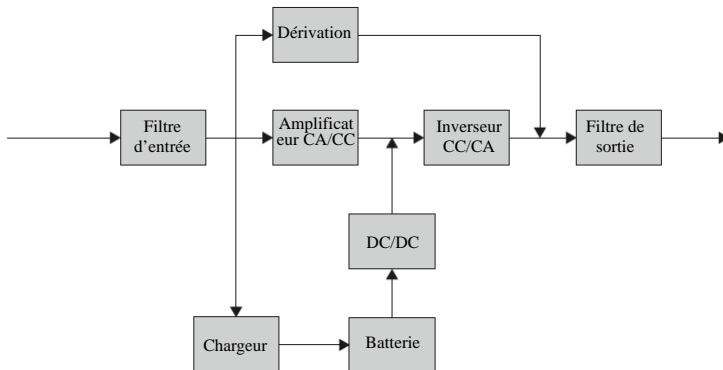
Conditions	Cause possible	Action
 Mode batterie Le voyant LED est allumé. 1 bip toutes les 4 secondes.	Une panne d'électricité s'est produite. L'UPS est en mode batterie.	L'UPS alimente l'équipement avec l'énergie de la batterie. Préparez l'extinction de votre équipement.
 Batterie faible Le voyant LED est allumé. 1 bip chaque seconde.	L'UPS est en mode batterie et la batterie diminue.	Cet avertissement est approximatif. Et le temps d'extinction réel peut varier de façon significative.
 Pas de batterie Le voyant LED est allumé. Bip en continu.	Les batteries sont déconnectées.	<ol style="list-style-type: none"> 1. Vérifier si toutes les batteries ainsi que tous les câbles de détection (RJ45) sont correctement connectés. 2. Vérifier le menu LCD : Paramètres – Batterie externe. En cas de sélection de "MBE manuel" et la valeur est 0, bien vouloir configurer la valeur correcte.
 Anomalie de batterie Le voyant LED est allumé. Bip en continu.	Le test de batterie a échoué en raison du mauvais état ou de la déconnexion de la batterie, ou alors la tension minimale de la batterie a été atteinte dans le mode cyclique de l'OBM.	Vérifier si toutes les batteries sont correctement connectées. Commencer un nouveau test de batterie : si cette situation persiste, contactez votre représentant de service.

Conditions	Cause possible	Action
L'UPS ne fournit pas la durée de sauvegarde attendue.	Les batteries nécessitent la recharge ou l'entretien.	Charger les batteries à l'énergie électrique pendant 48 heures. Si cette situation persiste, contactez votre représentant de service.
Mode dérivation  Le voyant LED est allumé.	Une surcharge ou une anomalie s'est produite, ou une commande a été reçue et l'UPS est en mode dérivation. Ou alors la fonction de dérivation automatique est désactivée.	L'équipement est alimenté mais n'est pas protégé par l'UPS. Vérifier l'une des alarmes suivantes : température excessive, surcharge, panne de l'UPS ou paramètre de la dérivation automatique.
surcharge de puissance.  Le voyant LED est allumé. 1 bip chaque seconde.	Les besoins énergétiques excèdent la capacité de l'UPS (supérieurs à 105 % la nominale ;	Retirer certains équipements de l'UPS. L'alarme se réinitialise lorsque la condition devient inactive.
avertissement de température excessive  Le voyant LED est allumé. 1 bip chaque seconde.	La température interne de l'UPS est trop élevée. Au niveau de l'avertissement, l'UPS émet l'alarme mais reste sur le mode de fonctionnement actuel.	Dégager les passages d'air et retirer toutes les sources de chaleurs. Se rassurer que la circulation du vent autour de l'UPS n'est pas restreinte.
L'UPS ne démarre pas.	L'alimentation d'entrée n'est pas correctement branchée.	Vérifier les connexions d'entrée.
	Le commutateur de désactivation à distance (RPO) est actif ou le connecteur RPO est perdu.	Si le menu de l'état de l'UPS affiche la notification « désactivation à distance », désactiver l'entrée RPO.
Arrêt d'urgence	RPO est actif	1. Vérifier l'état du connecteur RPO 2. Réinitialiser le RPO défectueux à travers le LCD. Menu principal – Commande – Réinitialiser l'état d'anomalie.
Anomalie du ventilateur	Ventilateur anormal	Vérifier si le ventilateur fonctionne normalement
Anomalie du site	La phase et le conducteur neutre à l'entrée du système de l'UPS sont inversés	Détection d'anomalie du site désactivée par défaut. Elle peut toujours être activée/désactivée à partir du menu des paramètres LCD. Reconnecter tous les câbles d'entrée.
Anomalie liée à la température excessive	La température excessive est trop élevée. L'UPS passe en	Vérifier l'aération de l'UPS et vérifier la température ambiante.

Conditions	Cause possible	Action
	dérivation ou est arrêté.	
Court-circuit en sortie	Le court-circuit en sortie s'est produit	Vérifier la sortie de l'UPS et les charges. Se rassurer que le court-circuit est retiré avant un nouvel allumage.
L'application ne peut pas se connecter à l'UPS	IoT est désactivé	Activer la fonction IoT dans LCD
	Vos paramètres IT peuvent empêcher à l'UPS de se connecter au Cloud (NTP, Proxy, etc.)	veuillez consulter le fichier d'aide de l'application WinpowerView

8 Specifications

8.1 Schéma d'ensemble de l'UPS



8.2 Caractéristiques de l'UPS

Nom du modèle		1K	1KS	1,5K	1,5KS	2K	2KS	3K	3KS	
Puissance nominale	VA/Watt	1000VA/1000W		1500VA/1500W		2000VA/2000W		3000VA/3000W		
	Efficacité	Mode ligne		89%		93%				
Performance d'entrée	Mode ECO	96%		97%						
	Plage de tension	1160-300V 100 % charge, 110-160V réduction de puissance à 50 % de charge linéairement								
	Fréquence nominale	50Hz/60Hz								
	Plage de fréquence	40Hz-70Hz (45Hz-55Hz, 54Hz-66Hz @ charge>60 %)								
	PF	>0,99								
THDi	<5%									
Connexion	Douille (RT)	1x IEC C14				1x IEC C20				

d'entrée	Douille (Tour)	1x IEC C14				1x IEC C20				1x Terminal	
Performance de sortie	Tension nominale	200/208/220/230/240 VAC (réduction de puissance à 10 % à 208V, réduction de puissance à 20 % à 200V)									
	Fréquence nominale	50Hz/60Hz									
	PF maximal	PF = 1									
	Précision de tension	±1%									
	THDv	<1 % de charge linéaire ; <5 % de charge non linéaire									
	Temps de transfert	0ms en ligne <> batterie ; 4ms en ligne <> dérivation ; 10ms en ECO <> Inverseur									
	Coefficient de crête	Max 3:1									
	Surcharge	100 %< charge ≤105 % continu. 105 %< charge ≤125 % pendant 5 minutes 125< charge ≤150 % pendant 30 secondes. >150 % pendant 500ms.									
Connexion de sortie	Douille (RT)	1 principal groupe de prise (avec 4 x CEI C13) 1 groupe de prise programmable (avec 4 x CEI C13)						1 principal groupe de prise (avec 1 x CEI C19 + 4 x CEI C13) 1 groupe de prise programmable (avec 4 x CEI C13)			
	Douille (Tour CEI)	4 x CEI C13				8 x CEI C13		8 x CEI C13 1 x CEI C19	8 x CEI C13 1x Terminal		
	Douille (Tour Schuko)	3 x Schuko				4 x Schuko		3 x Schuko 1x Terminal			
	Douille (Tour Thai)	4 x Thai				8 x Thai + 1x Terminal					
	Douille (Tour AU)	2 x AU				4 x AU + 1 x CEI C19					
	Commande de plot de charge	RT : Oui, 1 commande de segment de charge programmable Tour : NA									
Courant de court-circuit (RMS) /temps de protection	Mode dérivation	550A/2,8ms		550A/2,8ms		699A/7ms		699A/7ms			
	Mode normal/batterie	20A/100ms		25A/100ms		36A/100ms		54A/100ms			
Batterie	Tension	36V	36VDC C	36VDC	36VDC	72V	72VDC C	72VDC	72VDC		
	Capacité (AH)	3 x 12V 7Ah	NA	3 x 12V 9Ah	NA	6 x 12V 7Ah	NA	6 X12V 9Ah	NA		
Quantité de MBE maximal		4									
Détection automatique duMBE		Oui									
Batterie remplaçable à chaud		Oui									
Chargeur	Méthode de charge	Optimiser la gestion de la batterie									
	Courant de chargement	1,5A	8A	1,5A	8A	1,5A	8A	1,5A	8A		
	Temps de rechargement	3h à 90 %	NA	3h à 90 %	NA	3h à 90 %	NA	3h à 90 %	NA		
Autre mode	CVCF	Oui (réduction de puissance à 60 % de charge)									
HMI	Affichage	LCD à matrice à points (segment LCD facultatif)									

	Langue	Plusieurs langues	
	USB	USB 2.0 avec un dispositif d'alimentation HID	
	RS232	Oui (DB9)	
	Entrée/Sortie à contact sec	1 Entrée à contact sec programmable ; 1 Sortie à contact sec programmable	
	RPO	Oui	
	Créneau intelligent	Oui (pour de longue carte)	
	Carte réseau	Facultative, carte longue NMC	
	Carte Modbus	Facultative, carte longue CMC	
	Carte du contacteur sec	Facultative, carte longue AS400	
	Module sans fili	Facultatif	
	Port Ethernet IoT	RJ45	
	Logiciel du moniteur	Winpower, l'application WinPower View	
Performance physique	Dimension (L*P*H) mm	RT :438*445*85,5(2U) Tour :145*404*220	RT :438*600*85,5(2U) Tour :192*428*318
	Niveau de protection	IP20	
	Prise solide	RT: Facultative; Tour: NA	
	Roue	Non	
Environnement	Température de fonctionnement	RT :0-40 C Tour : 0-45 C, 40-45 C réduction de puissance à 80 %	
	Humidité relative	0-95 %	
	Altitude de fonctionnement	0-3000 m (la charge est en réduction de 1 % chaque 100 m vers le haut @1000-3000 m)	
	Bruit acoustique	<45dB à l'avant 1m	<50dB à l'avant 1m
Certification	CE, IEC/EN 62040		
EMI	Conduction/Radiation	C2	
EMS	ESD	IEC/EN 61000-4-2	
	RS	IEC/EN 61000-4-3	
	EFT	IEC/EN 61000-4-4	
	Surtension	IEC/EN 61000-4-5	
Accessoire	Câble d'alimentation d'entrée	Oui	
	Câble d'alimentation de sortie	Oui (pour les modèles CEI)	
	Câble du MBE	Oui (dans le MBE)	
	Câble USB	Oui	
	Câble RS232	Facultatif	
	Ensemble de rails	Facultatif	
	Patte de tour	RT: Oui; Tour: Non	
	Patte de la crémaillère	RT: Oui; Tour: Non	
Guide (Anglais)	Oui		