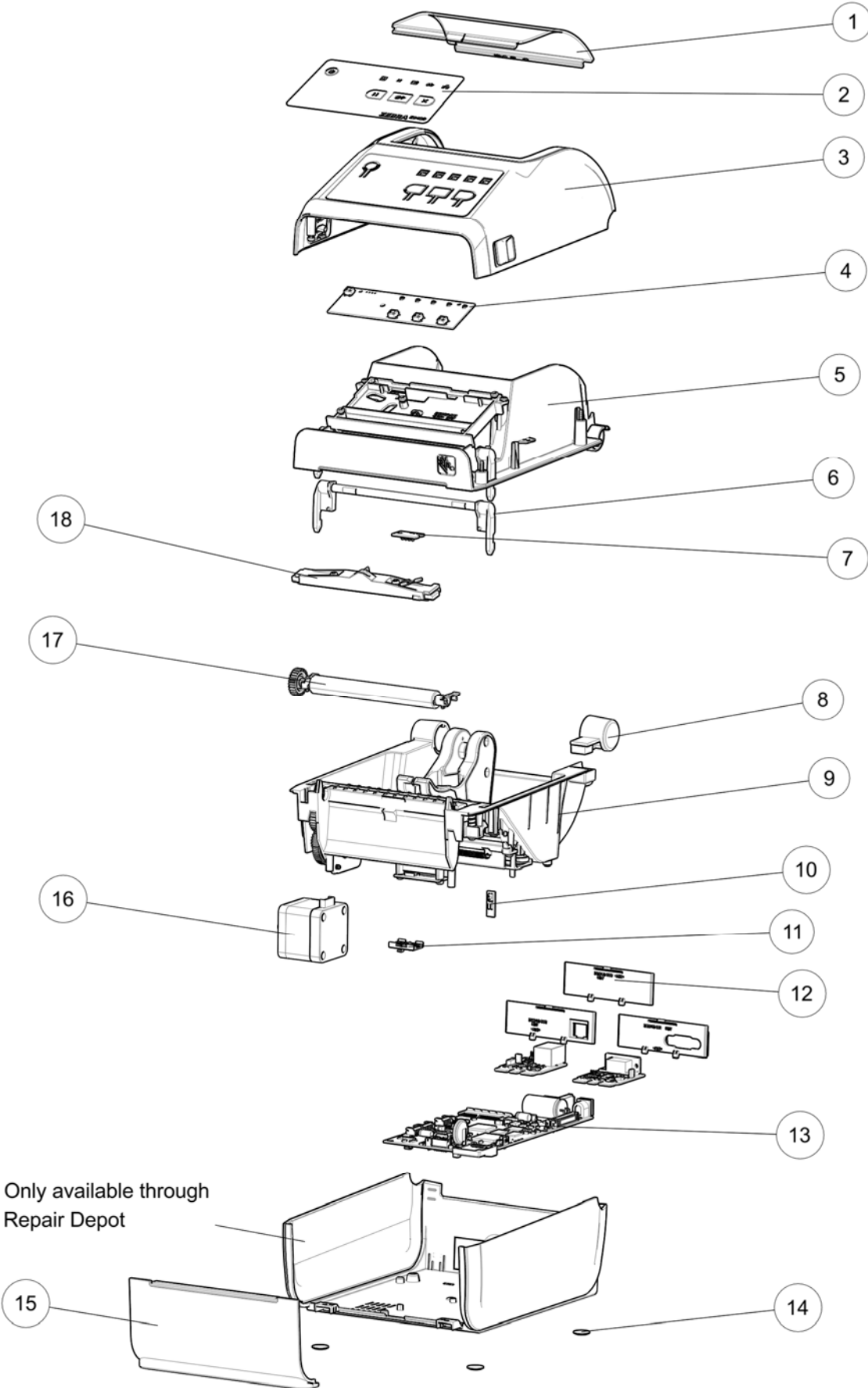


ZD420 Direct Thermal (203 & 300 DPI)



Only available through
Repair Depot

Spare Parts List

ZD420 Direct Thermal (203 & 300 DPI)

Item	Description	Part Number
1	Media Window	P1080383-400
2	Nameplate (contains nameplates with and without the Print Touch icon)	P1080383-401
3	Cover Assembly for Standard Models with the Print Touch icon (includes Media Window)	P1080383-403
	Cover Assembly for Standard Models without the Print Touch icon (includes Media Window)	P1080383-404
	Cover Assembly for Healthcare Models (white cover) with the Print Touch icon (includes Media Window)	P1080383-405
4	Control Panel PCBA	P1080383-208
5	Inner Lid (without printhead)	P1080383-402
6	Latch Assembly	P1080383-407
7	Upper Media Sensor (Gap Sensor)	P1079903-013
8	Cover Hinge	P1079903-016
9	Print Mechanism 203dpi	P1080383-408
	Print Mechanism 300dpi	P1080383-409
10	Cover Open Sensor	P1080383-011
11	Lower Media Sensor (Blackline Sensor)	P1080383-410
12	Rear Bezels: Serial, Ethernet, Standard (includes 1 of each)	P1080383-411
13	Main Logic Board, USB, USB Host, Modular Connectivity Slot	P1080383-213
	Main Logic Board, USB, USB Host, BTLE, Modular Connectivity Slot	P1080383-214
	Main Logic Board, USB, USB Host, Wi-Fi 802.11, Bluetooth, Modular Connectivity Slot	P1080383-215
	Ethernet Module	P1080383-419
	Serial Module	P1080383-420
14	Rubber Feet (set of 4)	P1080383-021
15	Front Bezel, Standard	P1080383-412
16	Motor Assy 203dpi and 300dpi	P1080383-221
17	Platen Roller 203dpi	P1080383-413
	Platen Roller 300dpi	P1080383-414
	Bearings for the platen roller, Left & Right (10 each)	P1080383-224
18	Printhead, 203dpi	P1080383-415
	Printhead, 300dpi	P1080383-416
Not Shown	Cutter, 4", Full Cut	P1080383-417
	Dispenser, Front Bezel	P1080383-418
	Convert to 300dpi	P1080383-421
	Convert to 203dpi	P1080383-422
	Media Core Adaptors, For 1.5", 2" & 3" diameter cores	P1079903-033
	Adapter bracket to enable mounting a ZD420D model in the same location as an existing GK420d model is currently mounted. Bracket allows usage of the GK420d mounting hole pattern to mount a ZD420D.	P1080383-423
	Packaging for shipping the printer	P1080383-424
	Replacement key for Healthcare printers with a locking media cabinet (quantity of 5)	P1080383-406
	Replacement lock for Healthcare printers with a locking media cabinet (includes 2 keys)	P1080383-431
	Power Supply Unattached, 75W, C13, with US & Euro Cords for Standard Models	P1079903-026
	Power Supply Unattached, 75W, 24V with US Cord, for Healthcare Models	P1079903-030
	Power Supply Attached, 75W (power cord not included)	P1080383-430
	Power Cord, U.S. 120V IEC320C13 (set of 5)	105950-014
	Power Cord, Euro 220V IEC320C13 (set of 5)	105950-015
	Power Cord, U.K. 240V IEC320C13 (set of 5)	105950-030
	Power Cord, Australia 240V IEC320C13 (set of 5)	105950-029
	Power Cord,China 220V C13 (set of 5)	105950-078
	Power Cord, Japan 125V JAPAN C13 (set of 5)	105950-079
	Power Cord, 220V Argentina C13 (set of 5)	105950-080
	Power Cord,10A NBR 14136, Brazil (set of 5)	P1033401
	Power Cord, C13, 10A, IEC Israel (set of 5)	P1061022-020
	Power Cord India, 10A, IS 1293, C13 (set of 5)	P1080829
	Power Cord, Taiwan, 125V, IEC320C13 (set of 5)	P1079903-035