

Specifications

Placement

Passenger side on the floor, in front seat.

Seat Configuration

Bucket

Drilling Required

None - uses existing seat bolts.

Construction/Finish

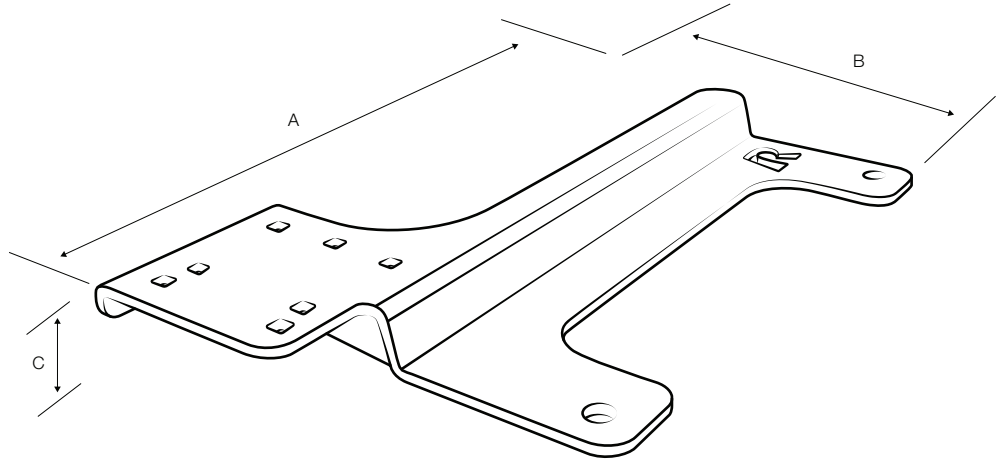
Steel/Black powder coat

Dimensions

(A) 15" (B) 8" (C) 1"
(Hole Center) 11.5"

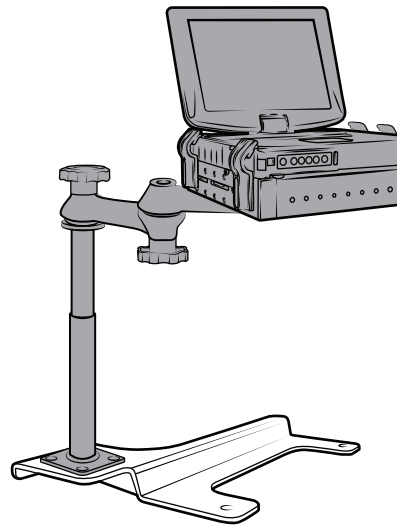
Pole or Pedestal

Purchased separately



Important Note

Utilizes existing vehicle hardware. Plastic trim will not be re-installed once the RAM® No-Drill™ base has been secured into vehicle.



RMR-INS-VB-202



Safety Precaution

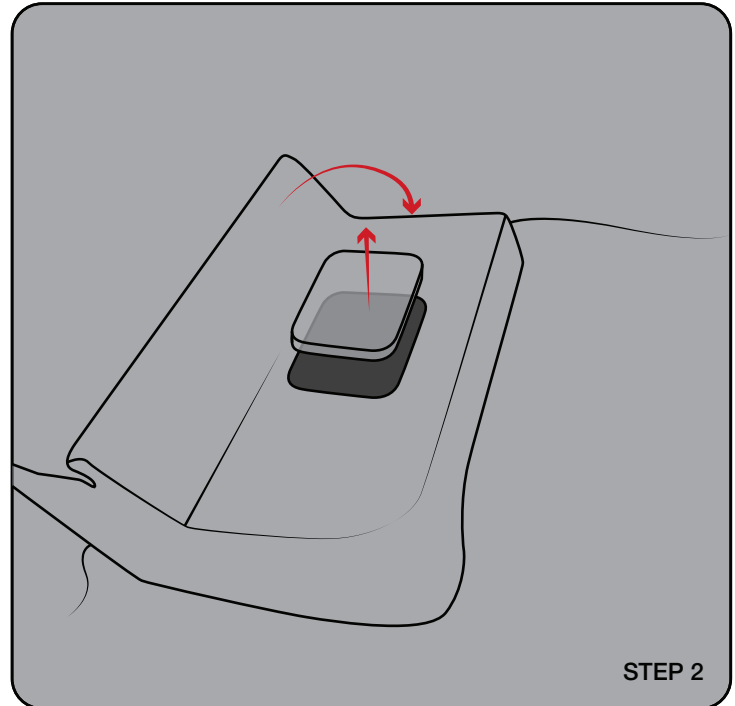
Do not install this product near or over an airbag deployment area or in a location that obstructs the driver's vision or interferes with vehicle operation. National Products, Inc does not assume responsibility or liability for any such personal injury, death or property damage.

Installation Instructions

If installing this base with a RAM® Tele-Pole™ assembly, attach the lower female pole prior to installing the RAM® No-Drill™ base. The carriage bolts should come up through the bottom with the rubber caps on the top side covering the nuts once attachment is complete.

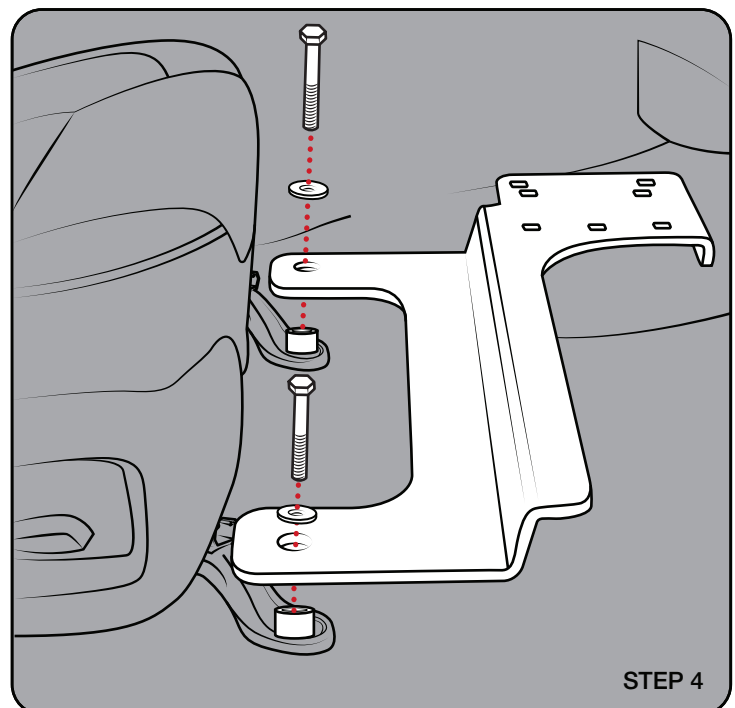
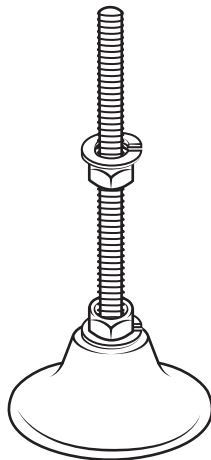
- 1 Move the passenger seat to its rearmost position.
- 2 Remove the two square caps covering the seat mount bolts. Insert fingers towards the back and curl finger up to pop caps up.
- 3 Remove the front seat leg bolts using 13MM socket wrench.
- 4 Place one spacer over each bolt hole. Place washer and bolt through RAM® No-Drill™ base and hand thread into place. Use 17MM socket to tighten the bolts. Torque to manufactured specs.

Note that once installed, this base will slightly lessen the amount of forward travel available to the passenger side seat. Accessing the glove box is still possible once system is installed.



Optional Foot Stabilizer

The use of the stabilizer foot is recommended to reduce bounce in all applications. Simply replace one of the carriage bolts holding the pole system or riser in place with the stabilizer foot as shown. You will need a ½" box wrench to tighten the hardware. The part number for the stabilizer foot kit is RAM-FOOT2. Slide the bolt through the foot, slide a lock washer over the thread so it rest on the foot. Place a nut over the thread and tighten to secure the foot over the head of the bolt. Next, thread a nut over the bolt and slide another lock washer over the bolt. Pass the foot up through the base from the bottom. Once through the base, slide the flat washer, lock washer, then thread the nut over the bolt. Position foot while hardware is loose so it is supporting the base off the floor. Once in position, tighten the nut so that it forces the foot down against the floor. Secure with remaining nut and washers on top.



RMR-INS-VB-202



Safety Precaution

Do not install this product near or over an airbag deployment area or in a location that obstructs the driver's vision or interferes with vehicle operation. National Products, Inc does not assume responsibility or liability for any such personal injury, death or property damage.