

**Overview**

Bandwidth: 500MHz  
 OD: 3.6mm  
 Conductor: 28AWG  
 Approvals: RoHS  
 Connector: 3U" gold plated RJ45 connector

**Physical Characteristics**

- Cable Type – Cat6A UTP
- Connector Type(s) – RJ45
- Wiring Scheme – T568B
- Temperature Rating – -20°C to +75°C
- Voltage Rating – 30V

**Conductor (Qty. 4 twisted pair)**

- Conductor Type – 28AWG, Stranded Bare Copper
- Insulation – HDPE
- Diameter – 0.61±0.05mm
- Pair Identification:
  - Pair1=Orange, Orange-White
  - Pair2=Blue, Blue-White
  - Pair3=Green, Green-White
  - Pair4=Brown, Brown-White

**Connector Type (Qty. 2)**

- Connector Type – 8P8C (RJ45)
- Gender – Male
- Connector Material – PC
- Contact Material – Copper Alloy, 3U" Gold Plating
- Hood Material – PVC MOLDED BOOT

**Overall Cable**

- Jacket – LSZH
- Minimum Average Thickness – 0.60mm
- Outer Diameter – 3.6 ± 0.15mm

**Electrical Characteristics**

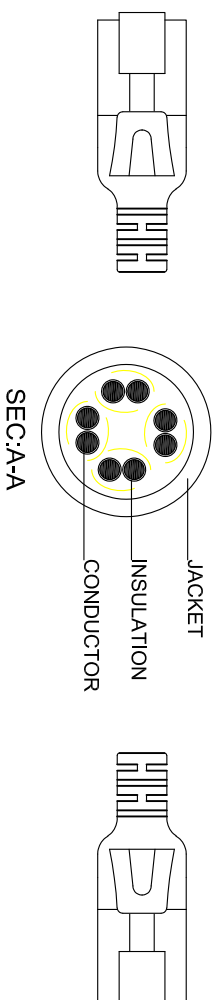
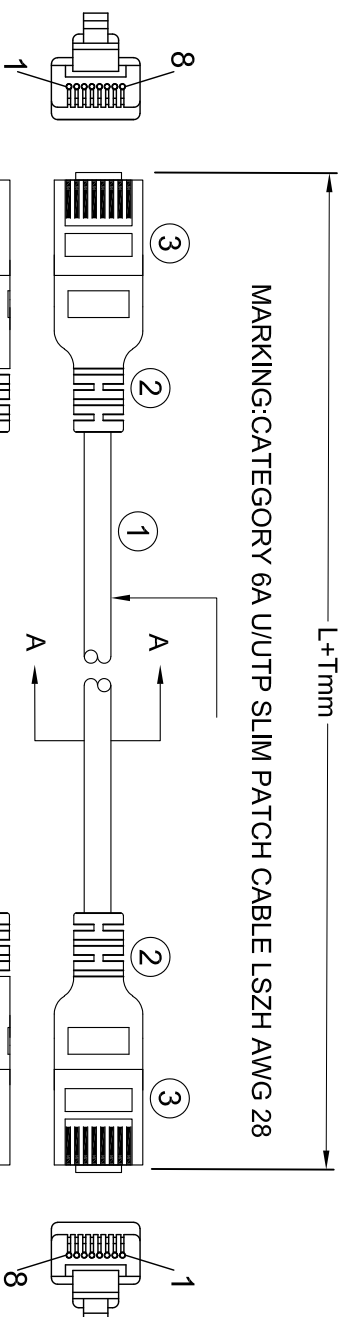
- Conductor DC Resistance – 24.2Ω/100m (maximum)
- Impedance – 100Ω
- Capacitance – 5600pf/100m
- Propagation Delay – 545ns/100m (maximum)
- Delay Skew – 45ns/100m (maximum)
- Fluke DSX 8000 Channel Test ( Randomly test, not Individually test)

3 RJ45 PLUG: 8P8C 3U" GOLD PLATED TWO-PIECE PLUG.

2 MOLDED: PVC MOLDED BOOT.

1 CABLE: CAT6A UTP 4P/28AWG OD=Ø3.6±0.15MM LSZH JACKET.

NO.



P1

P2 T568B

- |   |     |   |              |
|---|-----|---|--------------|
| 1 | --- | 1 | WHITE/ORANGE |
| 2 | --- | 2 | ORANGE       |
| 3 | --- | 3 | WHITE/GREEN  |
| 4 | --- | 4 | BLUE         |
| 5 | --- | 5 | WHITE/BLUE   |
| 6 | --- | 6 | GREEN        |
| 7 | --- | 7 | WHITE/BROWN  |
| 8 | --- | 8 | BROWN        |

COLOR	LENGTH(mm)	TOLERANCE
RED<27>	250	±15mm
	500	±15mm
	1000	±20mm
	1500	±20mm
	2000	±30mm
	3000	±30mm
	5000	±60mm
	7500	±60mm
	10000	±80mm



ITEM NO:	CAT. 6A U/UTP Slim Patch Cable	DRAWER	LY
TITLE		CHECKED DATE	MTC 20200326
CUSTOMER		APPROVED DATE	20200326

MATERIAL		SCALE	
REV.	A	UNIT	MM

DRAWING NO:	6AU0L360712HB
ACAD FILE	E:\

BOM LIST

