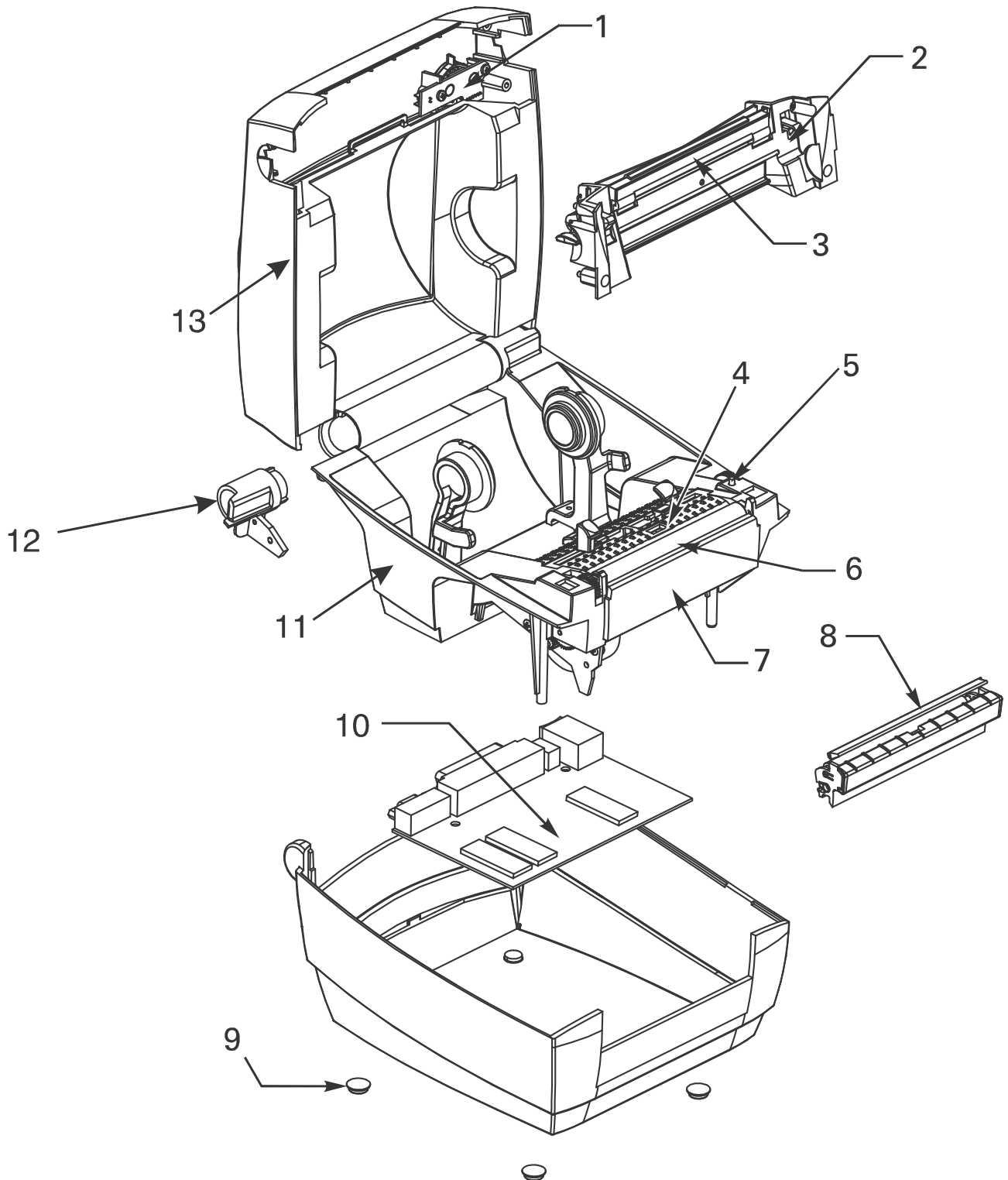


GC420d



Spare Parts List Desktop Printers

GC420d

| Item # | Description | Part Number |
|--------------|---|------------------------------|
| 1 | Feed Switch/Sensor Assy. (Set of 3) | G105910-064 |
| 2 | Latch Assy. | G105910-068 |
| 3 | Printhead Assy., (203 dpi) Print Head Cable Set | G105910-048 105915-091 |
| 4 | Gap / Blackline Sensor PCBA (Set of 3) | P1012845-002 |
| 5 | Head Up Sensor | G105916-015 |
| 6 | Platen Kit, std. (set of 3) | 105910-001 |
| 7 | Front Bezel, Std. Kit (set of 10) | 105910-005 |
| 8 | Front Bezel, Dispenser Label Taken Sensor PCBA (set of 3) | P1031815-023 P1031815-012 |
| 9 | Rubber Foot Kit (set of 24) | 105910-007 |
| 10 | Main Control PCBA, Ser./USB/Par., Cutter Main Control PCBA, Ethernet/USB, Cutter | P1031815-019 P1031815-020 |
| 11 | Lower Frame Assy. | P1031815-025 |
| 12 | Cover Hinge (Set of 10) | G105910-073 |
| 13 | Upper Cover Assy. | G105910-070 |
| Not Shown | Motor, Assy. | G105910-108 |
| | Nameplate GC420d | P1031815-021 |
| | Power Supply, 60W, 20V, with US Cord | P1012845-011 |
| | Power Supply, 60W, 20V, with UK and EU Cords | 105950-076 |
| | Power Cord, US (Set of 5) | 105950-061 |
| | Power Cord, Euro (Set of 5) | 105950-062 |
| | Power Cord, U.K (Set of 5) | 105950-063 |
| | Power Cord, Australia (Set of 5) | 105950-064 |
| | Power Cord, Argentina (Set of 5) | 105950-066 |
| | Power Cord, Brazil (Set of 5) | P1037999 |
| | Users CD-ROM | P1031815-024 |
| | Service CD-ROM | P1050233-001 |
| | Shipping Pack – Packaging for shipping the printer | 105950-150 |