



FS-1030D

PARTS LIST

Published in April 2010

2G6PL071

Rev.1

NOTES

1. Indicate parts number and parts description together with the machine model name when placing an order.

e.g.	Parts Number	Parts Name	Machine Model	Quantity
	302G680050	COVER FRONT ASSY	FS-1030D	1

2. Symbols in the "Parts Number" column.

- Parts with "•" are component parts or sub-assemblies of the assembly appearing immediately above them.

e.g.	Parts Number	Parts Name	Parts Number	Parts Name
	302G680050	COVER FRONT ASSY	• 302G604010	COVER FRONT
			• 5MVX422DN005	HINGE FRONT L

- Parts with "••" are component parts or sub-assembly with "•" appearing immediately above them.

e.g.	Parts Number	Parts Name	Parts Number	Parts Name
	•2FM68291	SOLENOID REGIST ASSY	••302G644020	SOLENOID REGIST
			••5MVS217SN002	PAD SOLENOID

- Parts with "⊙" indicate regular maintenance parts.

— CONTENTS —

FIG. 1	Covers.....	2
FIG. 2	Upper Frame Unit I.....	4
FIG. 3	Upper Frame Unit II.....	6
FIG. 4	Process Unit.....	8
FIG. 5	Drive Unit	10
FIG. 6	Paper Feed Unit / LSU	12
FIG. 7	Fuser Unit	14
FIG. 8	Paper Cassette	16
FIG. 9	Duplex Unit	18
FIG. 10	Packing Assemblies	20
	• INDEX	21

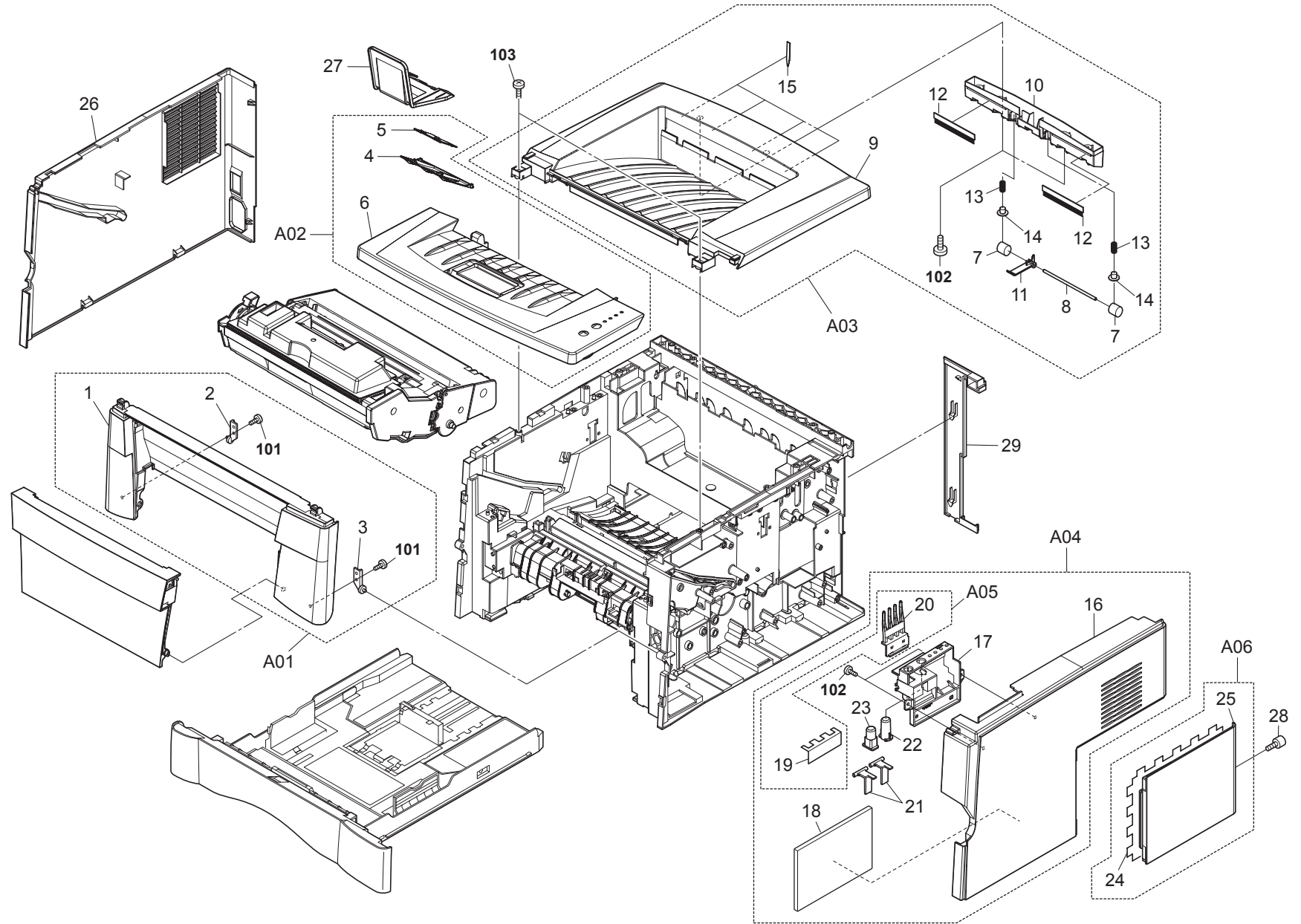


FIG. 1 Covers

2G6

SP	Ref. No.	Part.No.	Alternative.	Description	Quantity	
					120	230
⊙	A01	302G680050	2G680050	COVER FRONT ASSY	1	1
	1	*302G604010	2G604010	COVER FRONT	1	1
	2	*5MVX422DN005	2A804080	HINGE FRONT L	1	1
	3	*5MVX422DN006	2A804090	HINGE FRONT R	1	1
⊙	A02	302G680030	2G680030	LID TOP ASSY	1	1
⊙	A02	302G680040	2G680040	LID TOP ASSY	1	1
⊙	4	*2FM04070	5MVX761CH002	STOPPER FD	1	1
⊙	5	*2FM04130	5MVX541SH001	TRAY FD SUB	1	1
	6	*302G604020	2G604020	LID TOP	1	1
	6	*302G604040	2G604040	LID TOP	1	1
⊙	A03	2FM68200		COVER TOP ASSY	1	1
⊙	7	*2FM02210	5MVM274DN002	PULLEY MID	2	2
	8	*2FM02420	5MMT630SN003	SHAFT PULLEY	1	1
	9	*2FM04031	5MVB886CH014	COVER TOP	1	1
	10	*2FM04050	5MVB832SH001	COVER FD	1	1
⊙	11	*2FM04060	5MVX322DK001	ACTUATOR PAPER	1	1
⊙	12	*2FM04090	5MVS625LD002	DISCHARGER FD	2	2
	13	*2FM04100	5MMW166LD012	SPRING PULLEY A	2	2
	14	*2FM04150	5MVM163DN005	CAP SPRING	2	2
⊙	15	*2FM04160	5MVS211KF074	SHEET FD	4	4
⊙	A04	302G680060	2G680060	COVER RIGHT ASSY	1	1
	16	*2FM04010		COVER RIGHT	1	1
	17	*302FM04121	2FM04121	HOLDER PANEL	1	1
	18	*302G602060	2G602060	SEAL COVER B	1	1
⊙	A05	*5AAY3010E+51	2A868600	GUIDE LED KIT	1	1
	19	**5MVL421CB001	2A824020	SHEET LED	1	1
	20	**5MVX643AC001	2A824060	GUIDE LED	1	1
⊙	21	*5MVX322SN002	2A824030	LEVER BUTTON	2	2
⊙	22	*5MVX444SH001	2A824040	BUTTON A	1	1
⊙	23	*5MVX444SH002	2A824050	BUTTON B	1	1
⊙	A06	5AAY3010E+47	2A868540	COVER DIMM ASSY	1	1
	24	*5MMX761LD002	2A804510	PLATE SHIELD	1	1
⊙	25	*5MVB773CH001	2A804010	COVER DIMM	1	1
⊙	26	2FM04020		COVER LEFT	1	1
⊙	27	2FM04140	5MVX666SH006	TRAY LGL	1	1
⊙	28	5MMT263SN012++R	2D903100	SCREW OP	1	1
⊙	29	5MVB851SH003	2A804020	COVER REAR SIDE	1	1

SP	Ref. No.	Part.No.	Alternative.	Description	Quantity	
					120	230
	101	7BB300308H	BB018160	+BIND TAP-TITE B SCREW 3X8		
	102	7BB300308H	BB018160	+BIND TAP-TITE B SCREW 3X8		
	103	B1B74100		+BIND T.T SCREW(+)/ M4 X 10 CRFREE B-T		

- Parts with "*" are component parts or sub-assemblies of the assembly appearing immediately above them.
- Parts with "⊙" indicates the spare parts.

- Parts with "••" are component parts or sub-assembly with "•" appearing immediately above them.

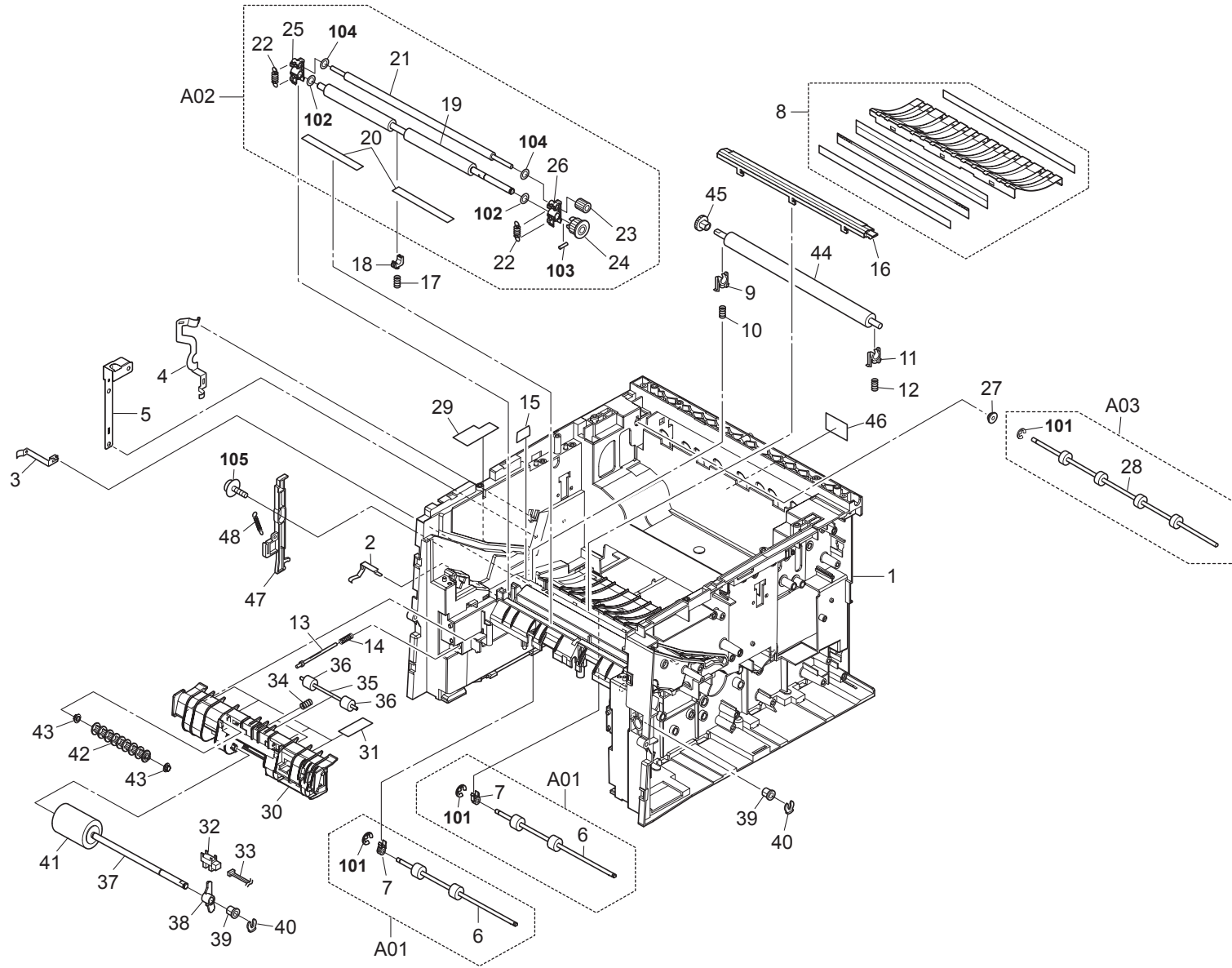


FIG. 2 Upper Frame Unit I

2G6

SP	Ref. No.	Part.No.	Alternative.	Description	Quantity	
					120	230
	1	2FM02030	5MVB883XB001	FRAME BASE	1	1
	2	5MMX532LD005	2A806210	CONTACT EARTH REG	1	1
	3	2DC26100		CONTACT TRANSFER	1	1
	4	2BY02010	5MMX632LD008	CONTACT MAIN MR	1	1
	5	2DC26080		GROUND PLATE SR	1	1
⊙	A01	2FM68310		ROLLER MIDDLE ASSY	2	2
⊙	6	*2FM02440	5MMT774SN002	ROLLER MIDDLE	2	2
⊙	7	*5MVX211DB016	2A820110	BUSH EXIT	2	2
	8	302G624010	2G624010	PLATE EARTH GUIDE ASSY	1	1
⊙	9	5MVX221DB023	2A816020	BUSH TC L	1	1
⊙	10	302G622010	2G622010	SPRING TC L	1	1
⊙	11	5MVX221DW008	2A816030	BUSH TC R	1	1
⊙	12	2DC16040		SPRING TC R	1	1
	13	5MVT653DW001	2A802050	PIN CASSETTE	1	1
	14	5MMW341LD005	2A802070	SPRING PIN CASSETTE	1	1
	15	2FM02730	5MVS225KF003	SPACER TRANSFER	1	1
	16	2FM02040	5MVX821XB001	PAPER SHUTE LOW	1	1
⊙	17	2FM02580	5MMW261LD064	SPRING REGIST C	1	1
⊙	18	2FM02180	5MVX221DN020	BUSH REGIST C	1	1
⊙	A02	2FM68270		REGIST KIT	1	1
⊙	19	*2FM02430	5MMT876SN100	ROLLER REGIST LOW	1	1
⊙	20	*2FM02470	5MVS622KF014	SHEET REGIST	2	2
	21	*5MMT865SN010	2A806050	ROLLER REGIST UP	1	1
⊙	22	*5MMW261LD023	2A806410	SPRING REGIST R	2	2
⊙	23	*5MVG126DB025	2A806240	GEAR REGIST Z13	1	1
⊙	24	*5MVG127DB047	2A806230	GEAR REGIST Z20	1	1
⊙	25	*5MVX221DB019	2A806420	BUSH REGIST L	1	1
⊙	26	*5MVX221DW006	2A806430	BUSH REGIST R	1	1
⊙	27	5MVM176DW001	2A821010	BUSH EXIT	1	1
⊙	A03	2FM68340		ROLLER EXIT UP ASSY	1	1
	28	*2FM02450	5MMT774SN004	ROLLER EXIT UP	1	1
	29	2DC02100		FILM PS LOW	1	1
	30	2FM02050	5MVB854CH001	FRAME FEED	1	1
⊙	31	2FM02750	5MVS312KF012	SHEET GUIDE B	4	4
⊙	32	5FNXGP1A73A++02	2DC27180	PT.SENSOR GP1A73AJ00/BK	1	1
	33	302G646070	2G646070	CONN.CORD ASSY ENGINE-PAPER EMPTY S03163	1	1
	34	2FM02530	5MMW166LD014	SPRING PULLEY C	2	2
	35	2FM02420	5MMT630SN003	SHAFT PULLEY	1	1
⊙	36	2FM02210	5MVM274DN002	PULLEY MID	2	2
	37	5MMT766SN007	2A806020	SHAFT FEED	1	1
⊙	38	2FM02150	5MVX422DB007	ACTUATOR PE	1	1
⊙	39	5MVM176DN026	2A806030	BUSH FEED	2	2
⊙	40	5MVX111DN003	2A806250	RING STOPPER	2	2
⊙	41	5AAVR0LL+044	2A806010	ROLLER FEED ASSY	1	1
⊙	42	2FM02170	5MVM776DN001	PULLEY FEED	1	1
⊙	43	5MVM161DW001	2A806260	BUSH PULLEY FEED	2	2
⊙	44	2FM14060	5MMT876SN102	ROLLER TRANSFER C		1
⊙	44	2FM14070	5MMT876SN103	ROLLER TRANSFER I	1	
⊙	45	5MVG127DB048	2A816060	GEAR TC Z18	1	1
⊙	46	2FM20080	5MVVL731WN21	LABEL FUSER CAUTION	1	1

SP	Ref. No.	Part.No.	Alternative.	Description	Quantity	
					120	230
	47	5MVX721DN001	2A802040	LEVER INTERLOCK	1	1
	48	5MMW351LD006	2A802060	SPRING INTERLOCK	1	1
	101	7BD103060+++H01	BD018610	E STOP RING E-3		
	102	5MBWK62955NN	C2892950	POLY SLIDER / M6.2X9.5X0.5T PLASTC		
	103	5MBP2008WWLD	E1120080	SPRING PIN / M2 X 8 SUS-DP		
	104	5MBWK4165+NN	C2894650	POLY SLIDER / M4.1X6.5X0.25T POLY		
	105	B1B74100		+BIND T.T SCREW(+)/ M4 X 10 CRFREE B-T		

- Parts with "*" are component parts or sub-assemblies of the assembly appearing immediately above them.
- Parts with "⊙" indicates the spare parts.

- Parts with "•" are component parts or sub-assembly with "•" appearing immediately above them.

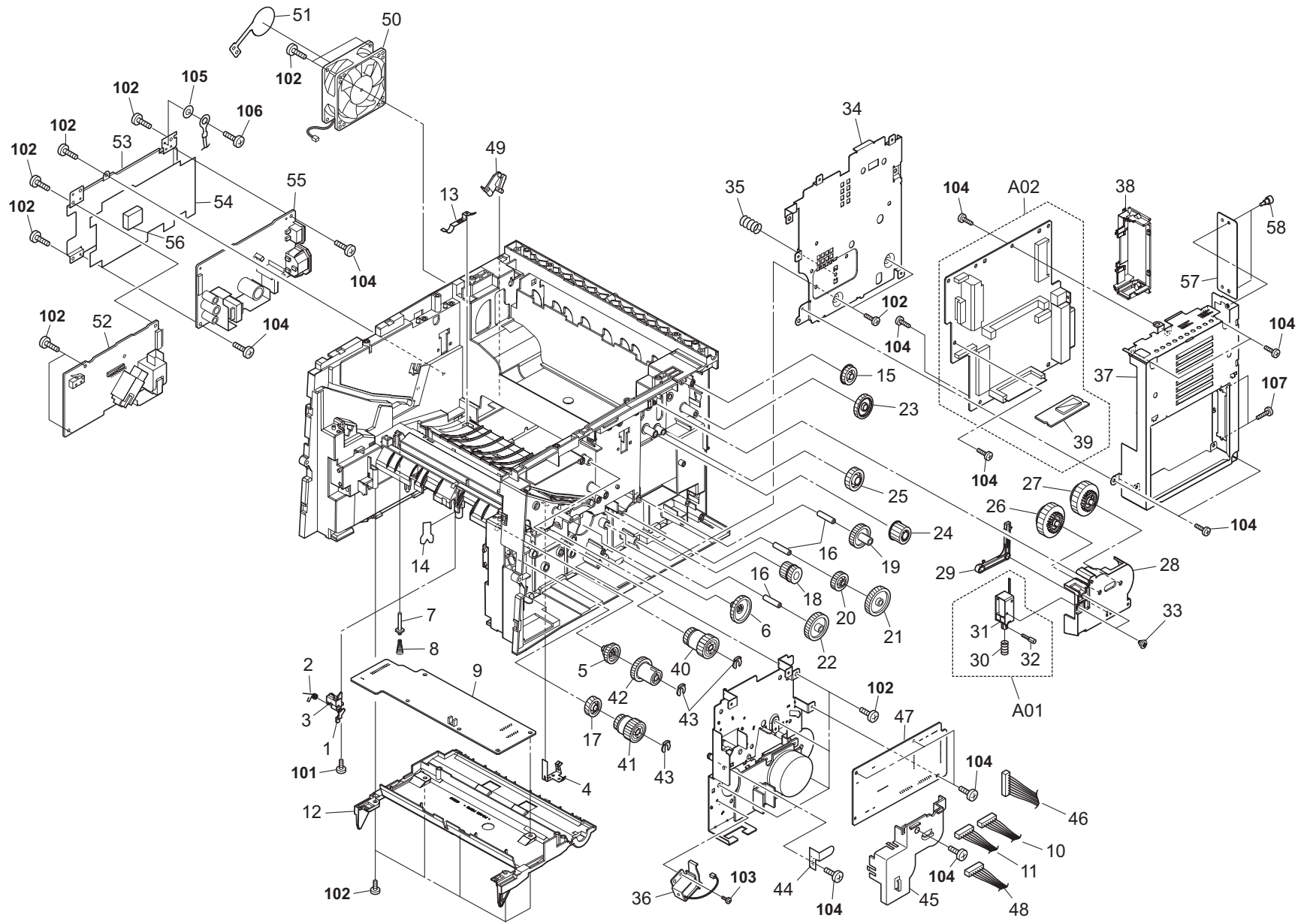


FIG. 3 Upper Frame Unit II

2G6

SP	Ref. No.	Part.No.	Alternative.	Description	Quantity	
					120	230
⊙	1	2FM02130	5MVX432CB013	ACTUATOR REGIST	1	1
	2	2FM02460	5MMW231LD003	SPRING ACTUATOR	1	1
	3	2FM02160	5MVB223DN001	HOLDER ACTUATOR	1	1
	4	2FM02400	5MMX333SD003	PLATE EARTH BRUSH	1	1
	5	2FM02240	5MVG133DN019	GEAR MID Z25S	1	1
⊙	6	2FM02260	5MVG144DN002	GEAR MID Z37S	1	1
	7	5MMT365SN003	2A815020	PIN CONTACT BIAS	1	1
	8	5MMW361LD015	2A815010	SPRING PIN BIAS	1	1
⊙	9	302G601030	2G601030	P.W.BOARD ASSY (BIAS)	1	1
	10	302G646020	2G646020	CONN.CORD ASSY ENGINE-BIAS S03158	1	1
	11	302G646030	2G646030	CONN.CORD ASSY ENGINE-BIAS2 S03159	1	1
	12	2FM02080	5MVX875CH001	COVER PWB	1	1
	13	2FM02410	5MMX872LD001	PLATE EARTH DU	1	1
	14	2FM02760	5MVS421KF024	SHEET FRAME	1	1
⊙	15	2FM02340	5MVG132DN004	GEAR Z23	1	1
⊙	16	5MMT364SN003	2A822130	PIN DRIVE	3	3
⊙	17	2FM02230	5MVG133DN018	GEAR Z24S	1	1
⊙	18	2FM02250	5MVG133DN020	GEAR Z21H-Z21S	1	1
⊙	19	5MVG148DN047	2A822110	GEAR Z34S	1	1
⊙	20	5MVG138DN041	2A822100	GEAR FREE Z25S	1	1
⊙	21	5MVG148DN046	2A822090	GEAR FREE Z40H	1	1
⊙	22	5MVG148DN045	2A822080	GEAR Z38H	1	1
⊙	23	2FM02320	5MVG144DN003	GEAR FD Z31	1	1
⊙	24	2FM02350	5MVG133DN022	GEAR Z22	1	1
⊙	25	2FM02330	5MVG133DN021	GEAR Z28	1	1
⊙	26	2FM68250		GEAR CLUTCH ASSY A	1	1
	27	2FM68260		GEAR CLUTCH ASSY B	1	1
	28	2FM02090	5MVB666CN001	HOLDER GEAR CLUTCH	1	1
	29	2FM20050	5MVX651DN001	LEVER SOLENOID	1	1
⊙	A01	2FM68350		SOLENOID ASSY	1	1
	30	*2FM02480	5MMW265SD001	SP LEVER SOLENOID	1	1
	32	*2FM02640		PIN ASSY	1	1
	31	*302G644040	2G644040	SOLENOID DU	1	1
	33	302F325010	2F325010	STUD SCREW M3	2	2
	34	2FM02360	5MMX776SD006	PLATE CONTROLLER	1	1
	35	5MMW271LD010	2A822140	SPRING FREE	1	1
⊙	36	302G644010	2G644010	SOLENOID FEED	1	1
	37	2BY28010		BOX CONTROLLER	1	1
	38	5MVX654SL001	2BY28030	GUIDE OPTION SLOT	1	1
⊙	A02	302G601100	2G601100	P.W.BOARD ASSY (MAIN WITH DIMM)	1	1
⊙	39	*302G601090	2G601090	P.W.BOARD ASSY DIMM	1	1
⊙	40	5AAVCLTCH016	2A806120	CLUTCH REGIST	1	1
⊙	41	2DC06010	5SNSP0015035	CLUTCH FEED	1	1
⊙	42	5AAVCLTCH031	2FM06040	CLUTCH MPF	1	1
⊙	43	5MVX111DN003	2A806250	RING STOPPER	3	3
	44	5MMX332LD013	2A806750	PLATE EARTH MPF	1	1
	45	5MVB663SB048	2A822200	COVER CORD	1	1
	46	302G646060	2G646060	CONN.CORD ASSY ENGINE-MAIN S03162	1	1
⊙	47	302G601110	2G601110	P.W.BOARD ASSY ENGINE(SP)	1	1
	48	302G646050	2G646050	CONN.CORD ASSY ENGINE-M.MOT S03161	1	1

SP	Ref. No.	Part.No.	Alternative.	Description	Quantity	
					120	230
	49	5MVX322SB020	2A820300	ACTUATOR FUSER B	1	1
⊙	50	302G644050	2G644050	FAN COOLING	1	1
⊙	51	2FM02660	5MMS662AX001	SEAL FAN	1	1
⊙	52	302G645030	2G645030	TRANS ASSY	1	1
	53	5MMX773SL001	2A827030	PLATE SW REG	1	1
	54	5MVS765KF001	2A827060	SHEET SW REG	1	1
⊙	55	302G645010	2G645010	SWITCHING REGULATOR(E)		1
⊙	55	302G645020	2G645020	SWITCHING REGULATOR(U)	1	
	56	2FM02680	5MVS329RN004	PAD PWB	1	1
	57	5MMS664SX001	2BY28020	PLATE OPTION	1	1
⊙	58	5MMT263SN012++R	2D903100	SCREW OP	2	2
	101	7BB300308H	BB018160	+BIND TAP-TITE B SCREW 3X8		
	102	B1B74100		+BIND T.T SCREW(+) / M4 X 10 CRFREE B-T		
	103	7BB100305H	BB018180	+BIND TAP-TITE S SCREW 3X05		
	104	5MBTPB3006TW++R	B1A53060	BIND T.T SCREW(+) / M3 X 6 CRFREE S-T		
	105	5MBWG40854LD	CP003020	OT.LOCK WASHER / M4X8.5X0.4T SUS-DP		
	106	5MBTPB4006TW++R	B1A54060	BIND T.T SCREW(+) / M4 X 6 CRFREE S-T		
	107	5MBSPP3010NN	2DW03010	PAN HEAD SCREW(+) / M3 X 10 S-NI		

- Parts with "*" are component parts or sub-assemblies of the assembly appearing immediately above them.
- Parts with "⊙" indicates the spare parts.

- Parts with "•" are component parts or sub-assembly with "•" appearing immediately above them.

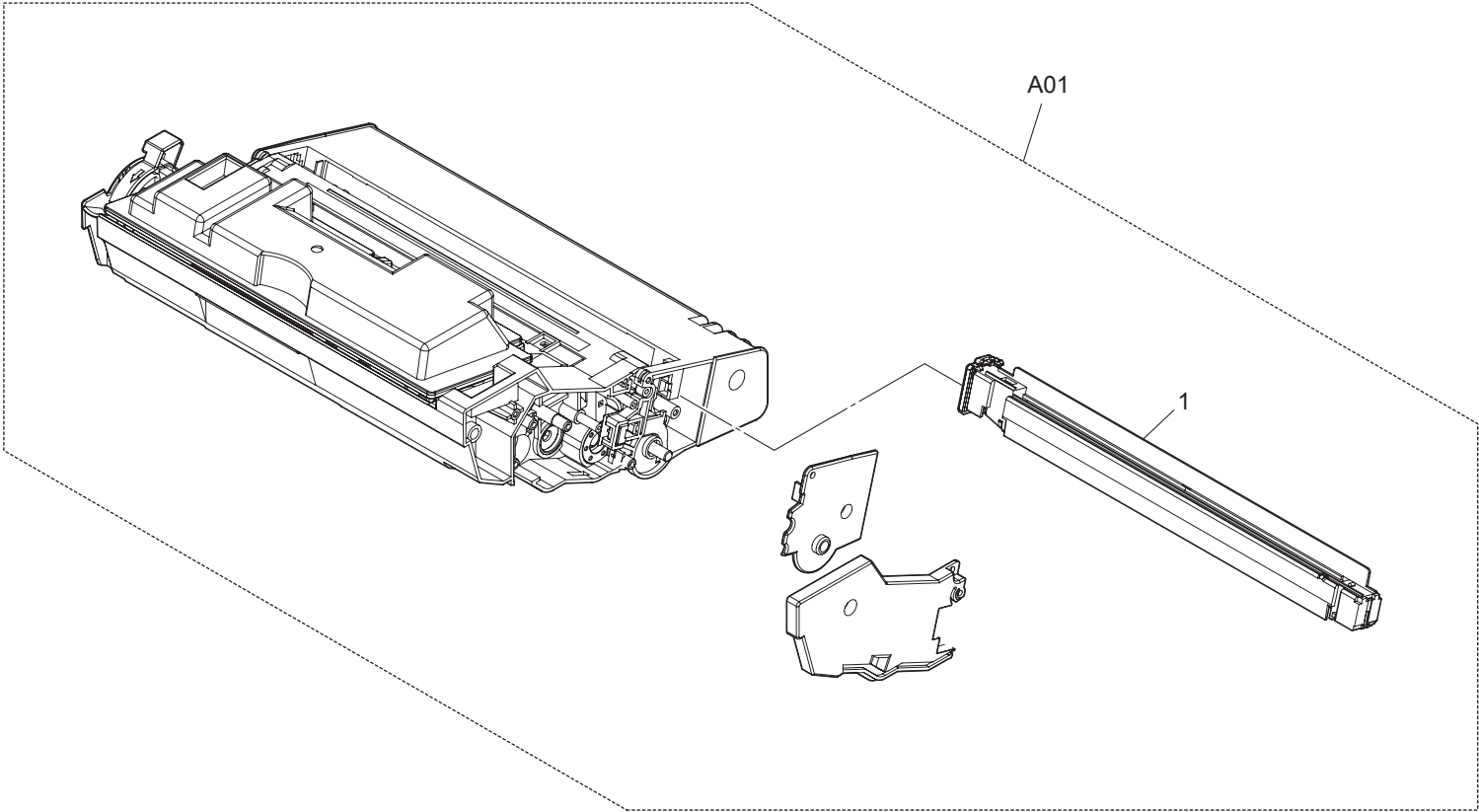


FIG. 4 Process Unit

SP	Ref. No.	Part.No.	Alternative.	Description	Quantity	
					120	230
⊙	A01	302G693010	2G693010	PU-120 PROCESS UNIT	1	1
⊙	1	*5PLPWCTAPKX	2FM93120	MC-41 MCH ASSY	1	1

- Parts with "*" are component parts or sub-assemblies of the assembly appearing immediately above them.
- Parts with "⊙" indicates the spare parts.

- Parts with "••" are component parts or sub-assembly with "*" appearing immediately above them.

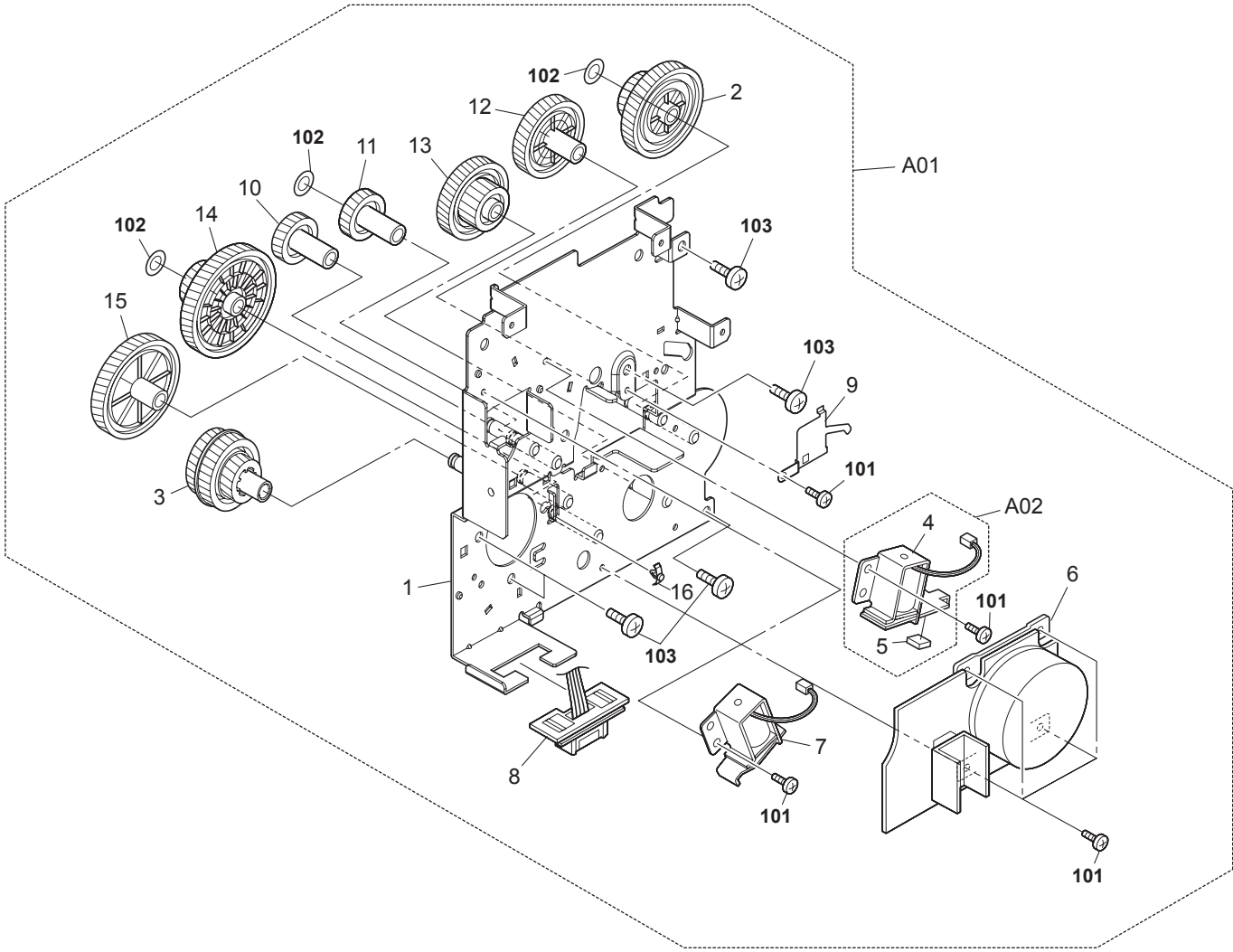


FIG. 5 Drive Unit

2G6

SP	Ref. No.	Part.No.	Alternative.	Description	Quantity	
					120	230
⊙	A01	302G693030	2G693030	DR-120 DRIVE UNIT	1	1
	1	*2DC22020		MOUNT MACHINE DRIVE	1	1
⊙	2	*2DC22030		GEAR 48/21	1	1
⊙	3	*2FM02220	5MVG144DN001	GEAR Z36H-Z21H-Z34S	1	1
⊙	A02	*2FM68291		SOLENOID REGIST ASSY	1	1
	4	**302G644020	2G644020	SOLENOID REGIST	1	1
	5	**5MVS217SN002	2A806280	PAD SOLENOID	1	1
⊙	6	*302G631010	2G631010	MOTOR MAIN	1	1
⊙	7	*302G644030	2G644030	SOLENOID MPF	1	1
	8	*302G646140	2G646140	CONN.CORD ASSY M.MOT-PF S03170	1	1
	9	*5MMX521LD005	2A822150	PLATE EARTH DRUM	1	1
⊙	10	*5MVG137DN029	2A822180	GEAR Z21H	1	1
⊙	11	*5MVG138DN042	2A822170	GEAR Z24H	1	1
⊙	12	*5MVG148DN044	2A822050	GEAR Z40H	1	1
⊙	13	*5MVG168DN017	2A822030	GEAR Z68H-Z21H	1	1
⊙	14	*5MVG169DN032	2A822060	GEAR Z95H-Z21H	1	1
⊙	15	*5MVG169DN033	2A822070	GEAR Z53H	1	1
	16	*M2108800		SPACER,KGPS-3.5S(KITAGAWA)	1	1

SP	Ref. No.	Part.No.	Alternative.	Description	Quantity	
					120	230
	101	7BB100305H	BB018180	+BIND TAP-TITE S SCREW 3X05		
	102	5MBWL5280+NN	C2891080	POLY CUT WASHER / M5.2X8.0X0.25T		
	103	B1B74100		+BIND T.T SCREW(+)/ M4 X 10 CRFREE B-T		

- Parts with "*" are component parts or sub-assemblies of the assembly appearing immediately above them.
- Parts with "⊙" indicates the spare parts.

- Parts with ".*" are component parts or sub-assembly with "." appearing immediately above them.

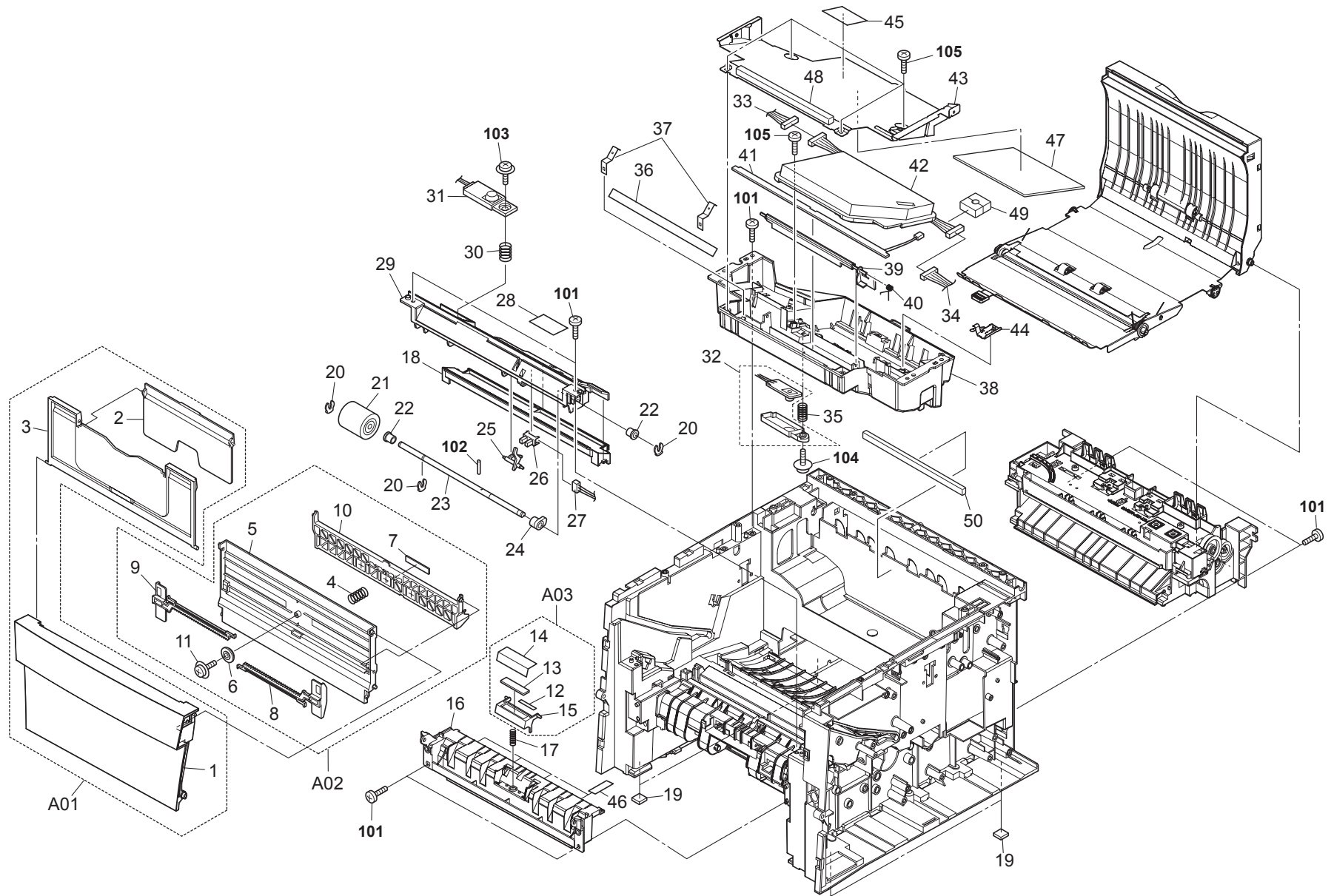


FIG. 6 Paper Feed Unit / LSU

2G6

SP	Ref. No.	Part.No.	Alternative.	Description	Quantity	
					120	230
⊙	A01	2BP00050		COVER MPF ASSY	1	1
	1	*5MVB872SH028	2BP06040	COVER MPF	1	1
	2	*5MVX751SH001	2A806740	TRAY MPF B	1	1
	3	*5MVX861SH004	2A806730	TRAY MPF A	1	1
⊙	A02	302FM00022	2FM00022	BASE MPF ASSY	1	1
	4	*2FM06030	5MMW261LD065	SPRING BOTTOM MPF	1	1
	5	*5MVB872SH019	2A806661	BASE MPF	1	1
	6	*5MVG137DN032	2A806720	GEAR MPF	1	1
	7	*5MVS616XN002	2A806680	PAD BOTTOM MPF	1	1
	8	*5MVX752SH002	2A806700	GUIDE MPF R	1	1
	9	*5MVX752SH003	2A806710	GUIDE MPF L	1	1
	10	*5MVX852CB003	2A806670	BOTTOM PLATE MPF	1	1
	11	*7BB302305H	BB018540	+TP TAP-TITE B SCREWM3X5(CRFREE)	1	1
⊙	A03	2FM68300		SEPARATOR MPF ASSY	1	1
	12	*2FM02710	5MVS422KF010	SPACER PAD	1	1
	13	*5MVS416XN001	2A806560	PAD SEPARATOR MPF	1	1
	14	*5MVS431TX001	2A806760	TAPE SEPARATOR	1	1
	15	*5MVX522DB004	2A806550	SEPARATOR MPF	1	1
	16	2FM02060	5MVB866CH036	GUIDE TURN B	1	1
	17	5MMW261LD038	2A806570	SPRING SEPA MPF	1	1
	18	2FM02100	5MVX843SC002	PAPER CHUTE UP	1	1
⊙	19	5MVS228RB019	2A802500	FOOT	4	4
⊙	20	5MVX111DN003	2A806250	RING STOPPER	3	3
⊙	21	5AAVROLL+045	2A806510	ROLLER MPF ASSY	1	1
⊙	22	5MVM176DN026	2A806030	BUSH FEED	2	2
	23	5MMT766SN008	2A806530	SHAFT MPF	1	1
	24	5MVX221DN014	2A806620	CAM MPF R	1	1
⊙	25	5MVX432DB010	2A806600	ACTUATOR MPF	1	1
⊙	26	5FNXGP1A73A++02	2DC27180	PT.SENSOR GP1A73AJ00/BK	1	1
	27	302G646110	2G646110	CONN.CORD ASSY ENGINE-MMOT	1	1
	28	2FM02670	5MVS222KF021	SEAL MP FEED	1	1
	29	2FM02070	5MVB854CH002	HOLDER MP FEED	1	1
	30	5MMW261LD036	2A814570	SPRING TE SENSOR	1	1
⊙	31	302GM01200	2GM01200	TE SENSOR ASSY	1	1
⊙	32	302GM01190	2GM01190	FULL SENSOR ASSY	1	1
	33	302G646040	2G646040	CONN.CORD ASSY ENGINE-LSU S03160	1	1
	34	302G646010	2G646010	CONN.CORD ASSY MAIN-LSU S03157	1	1
	35	2DC13040		SPRING FULL SENSOR	1	1
	36	2DC13030		MIRROR LSU	1	1
	37	5MMX221LD024	2A813030	SPRING MIRROR	2	2
	38	2DC02040		FRAME MIDDLE	1	1
	39	2DC13020		SHUTTER LSU	1	1
	40	5MMW341LD006	2A813050	SPRING SHUTTER LSU	1	1
⊙	41	302G601050	2G601050	P.W.BOARD ASSY (LED)	1	1
⊙	42	302G693020	2G693020	LK-120 LASER SCANNER UNIT	1	1
	43	302DC26071	2DC26071	SHIELD LSU	1	1
	44	2DC26110		PLATE EARTH LSU	1	1
	45	302FV12080	2FV12080	LABEL LASER CAUTION	1	1
⊙	46	5MVS312KF011	2A806480	SHEET GUIDE	4	4
	47	302G602020	2G602020	SEAL SCANNER A	1	1

SP	Ref. No.	Part.No.	Alternative.	Description	Quantity	
					120	230
	48	302G602030	2G602030	SEAL SCANNER B	1	1
	49	302G602040	2G602040	SEAL SCANNER C	1	1
	50	302G602050	2G602050	SEAL COVER A	1	1
	101	B1B74100		+BIND T.T SCREW(+)/ M4 X 10 CRFREE B-T		
	102	5MBP2008WWLD	E1120080	SPRING PIN / M2 X 8 SUS-DP		
	103	B1B74100		+BIND T.T SCREW(+)/ M4 X 10 CRFREE B-T		
	104	7BB302308H	BB018120	+TP TAP-TITE B SCREW 3X08		
	105	B1B73100		+BIND TAP-TITE B SCREW M3X10		

- Parts with "*" are component parts or sub-assemblies of the assembly appearing immediately above them.
- Parts with "⊙" indicates the spare parts.

- Parts with "•" are component parts or sub-assembly with "•" appearing immediately above them.

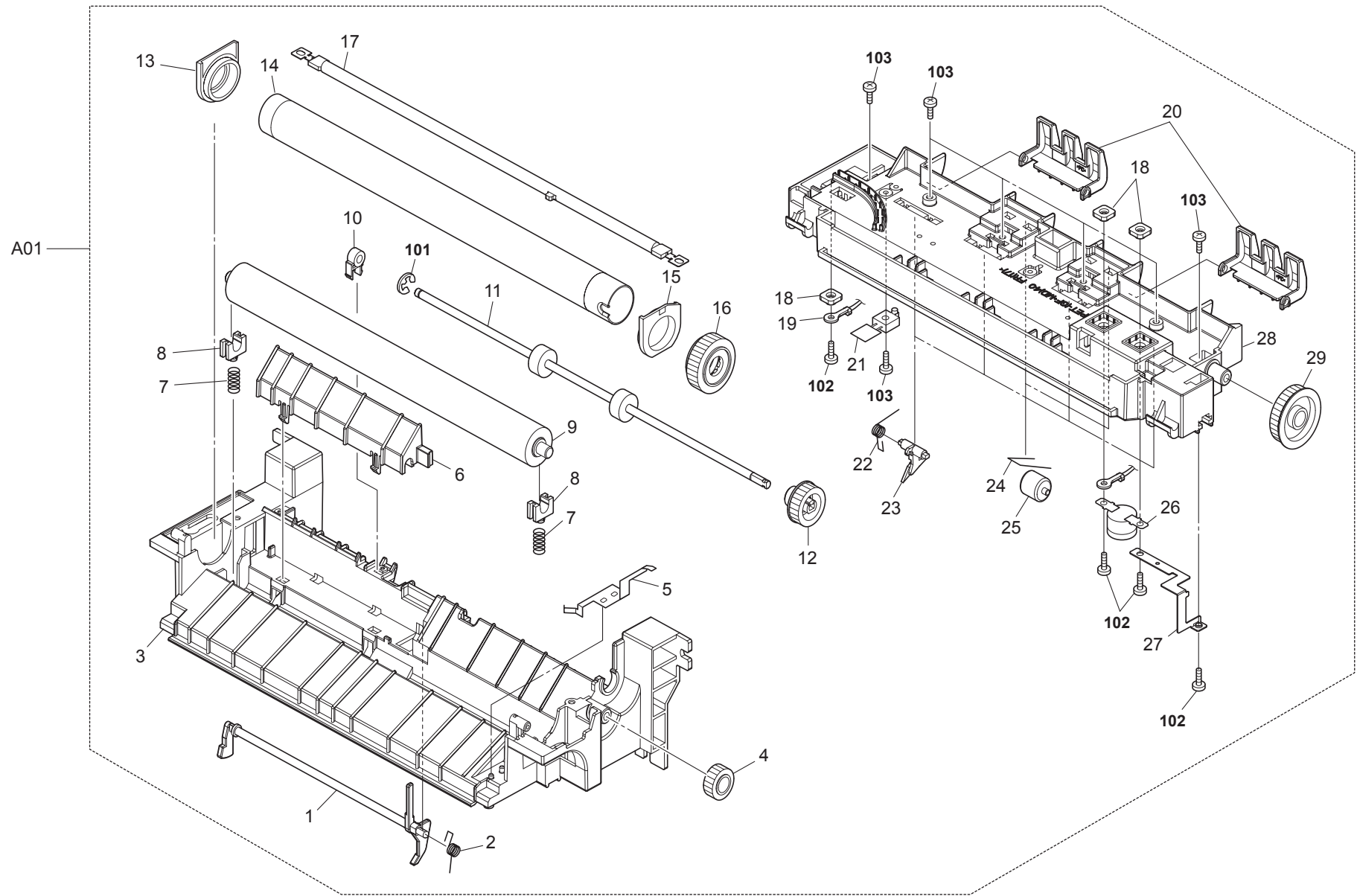


FIG. 7 Fuser Unit

2G6

SP	Ref. No.	Part.No.	Alternative.	Description	Quantity	
					120	230
⊙	A01	302FM93012	2FM93012	FK-101(E) FUSER UNIT(E)		1
⊙	A01	302FM93022	2FM93022	FK-101(U) FUSER UNIT(U)	1	
⊙	1	*2FM20041	5MVX752CB001	ACTUATOR FUSER A	1	1
⊙	2	*5MMW261LD017	2A820520	SPRING ACTUATOR	1	1
⊙	3	*2FM20011	5MVB876KB001	FRAME FUSER LOW	1	1
⊙	4	*5MVG127DN070	2A820190	GEAR IDLE Z18	1	1
⊙	5	*5MMX665LD004	2A820280	PLATE EARTH FUSER	1	1
⊙	6	*2FM20031	5MVX632KB001	GUIDE FUSER LOW	1	1
⊙	7	*2DC20010		SPRING PRESS ROLLER	2	2
⊙	8	*2BY20070	5MVX221XN004	BUSH PRESS	2	2
⊙	9	*2DC20060		ROLLER PRESS	2	2
⊙	10	*5MVX211DB016	2A820110	BUSH EXIT	1	1
⊙	11	*2FM20090	5MMT774SN005	ROLLER EXIT LOW	1	1
⊙	12	*5MVG137DN031	2A820170	GEAR EXIT Z23	1	1
⊙	13	*5MVM188XN016	2A820131	BUSH HEAT L	1	1
⊙	14	*5MMT876AX002	2BY20010	ROLLER HEAT	1	1
⊙	15	*5MVM188XN015	2A820120	BUSH HEAT R	1	1
⊙	16	*302A820161	2A820161	GEAR HEAT Z33	1	1
⊙	17	*2FM27020	5HZPB2413120102	HEATER LAMP E		1
⊙	17	*2FM27030	5HZPB1216320102	HEATER LAMP U	1	
⊙	18	*5MMS111SL002	2BY20050	NUT FUSER A	3	3
⊙	19	*302G646120	2G646120	CONN.CORD ASSY PWS-HEAT(E) S03168		1
⊙	19	*302G646130	2G646130	CONN.CORD ASSY PWS-HEAT(U) S03169	1	
⊙	20	*2FM02190	5MVX532DN004	GUIDE CHANGE	2	2
⊙	21	*302G625000	2G625000	THERMISTOR FUSER	1	1
⊙	22	*5MMW261LD055	2A820350	SPRING SEPARATOR	4	4
⊙	23	*5AAVSEPR015	2A820360	SEPARATOR ASSY	4	4
⊙	24	*5MMW601LD011	2A820260	SPRING PULLEY	2	2
⊙	25	*5MVM273DB005	2A820100	PULLEY EXIT	2	2
⊙	26	*5EYFFQ16001++01	2BY20020	THERMOSTAT 250V 160	1	1
⊙	27	*2FM20060	5MMX632LD009	HOLDER LAMP	1	1
⊙	28	*2FM20020	5MVB863KB005	FRAME FUSER UP	1	1
⊙	29	*5MVG148XN009	2A820180	GEAR IDLE Z34	1	1

SP	Ref. No.	Part.No.	Alternative.	Description	Quantity	
					120	230
	101	7BD103060+++H01	BD018610	E STOP RING E-3		
	102	5MBSP43006NW++R	B4A03060	TP HEAD SCREW(+)/ M3 X 6 DRFREE		
	103	7BB300312H	BB018170	+BIND TAP-TITE B SCREW 3X12		

- Parts with "*" are component parts or sub-assemblies of the assembly appearing immediately above them.
- Parts with "⊙" indicates the spare parts.

- Parts with "•" are component parts or sub-assembly with "•" appearing immediately above them.

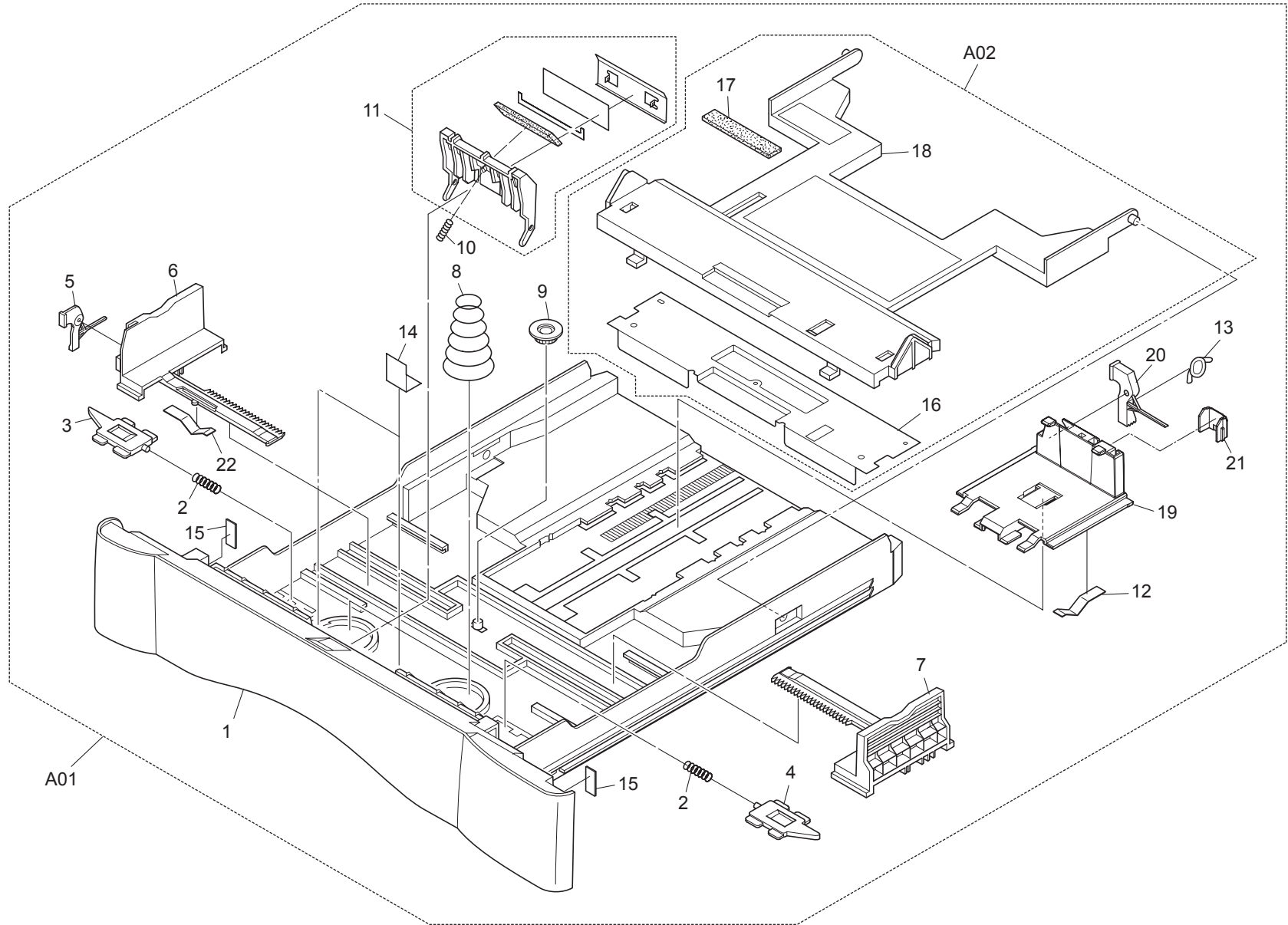


FIG. 8 Paper Cassette

SP	Ref. No.	Part.No.	Alternative.	Description	Quantity	
					120	230
⊙	A01	302FM93140	2FM93140	CT-101(A4) CASSETTE ASSY A4		1
⊙	A01	2FM93100		CT-101(LTR) CASSETTE ASSY LTR	1	
	1	*5MVB886SH063	2A807010	BASE CASSETTE	1	1
	2	*5MMW251LD045	2A807140	SPRING LOCK	2	2
	3	*5MVX431DW002	2A807131	LOCK CASSETTE L	1	1
	4	*5MVX431DW001	2A807121	LOCK CASSETTE R	1	1
	5	*5MVX541DG003	2A807161	LEVER SIDE	1	1
	6	*2FM06010	5MVX765SH004	GUIDE SIDE L	1	1
	7	*2FM06020	5MVX765SH005	GUIDE SIDE R	1	1
⊙	8	*302FM06060	2FM06060	SPRING CASSETTE		2
⊙	8	*5MMW251LD044	2A800120	SPRING CASSETTE	2	
	9	*5MVG127DN071	2A807050	GEAR CASSETTE	1	1
⊙	10	*5MMW251LD047	2A807110	SPRING SEPARATOR C	1	1
	11	*302G680070	2G680070	SEPARATOR PAPER ASSY		1
⊙	11	*2FM68320		SEPARATOR PAPER ASSY	1	
	12	*5MMP141LD003	2A807520	PLATE STOPPER	1	1
	13	*5MMW171LD006	2A807530	SPRING STOPPER	1	1
	14	*5MVL311KF003	2A807550	SHEET CASSETTE	1	1
	15	*5MVS315CN001	2A807910	SPACER CASSETTE	2	2
⊙	A02	*5AAVB0T0M009	2A806920	BOTTOM CASSETTE KIT	1	1
	16	**5MMS856SL001	2A807170	PLATE BOTTOM	1	1
	17	**5MVS616XN001	2A807080	PAD BOTTOM	1	1
	18	**5MVX882SH002	2A807060	BOTTOM CASSETTE	1	1
	19	*2DC07010		STOPPER PAPER	1	1
	20	*5MVX541DG002	2A807191	LEVER REAR	1	1
	21	*2DC07020		POSITIONING FOLIO PAPER	1	1
	22	*5MMP141LD002	2A807510	PLATE SIDE GUIDE	1	1

- Parts with "*" are component parts or sub-assemblies of the assembly appearing immediately above them.
- Parts with "⊙" indicates the spare parts.

- Parts with ".•" are component parts or sub-assembly with ".•" appearing immediately above them.

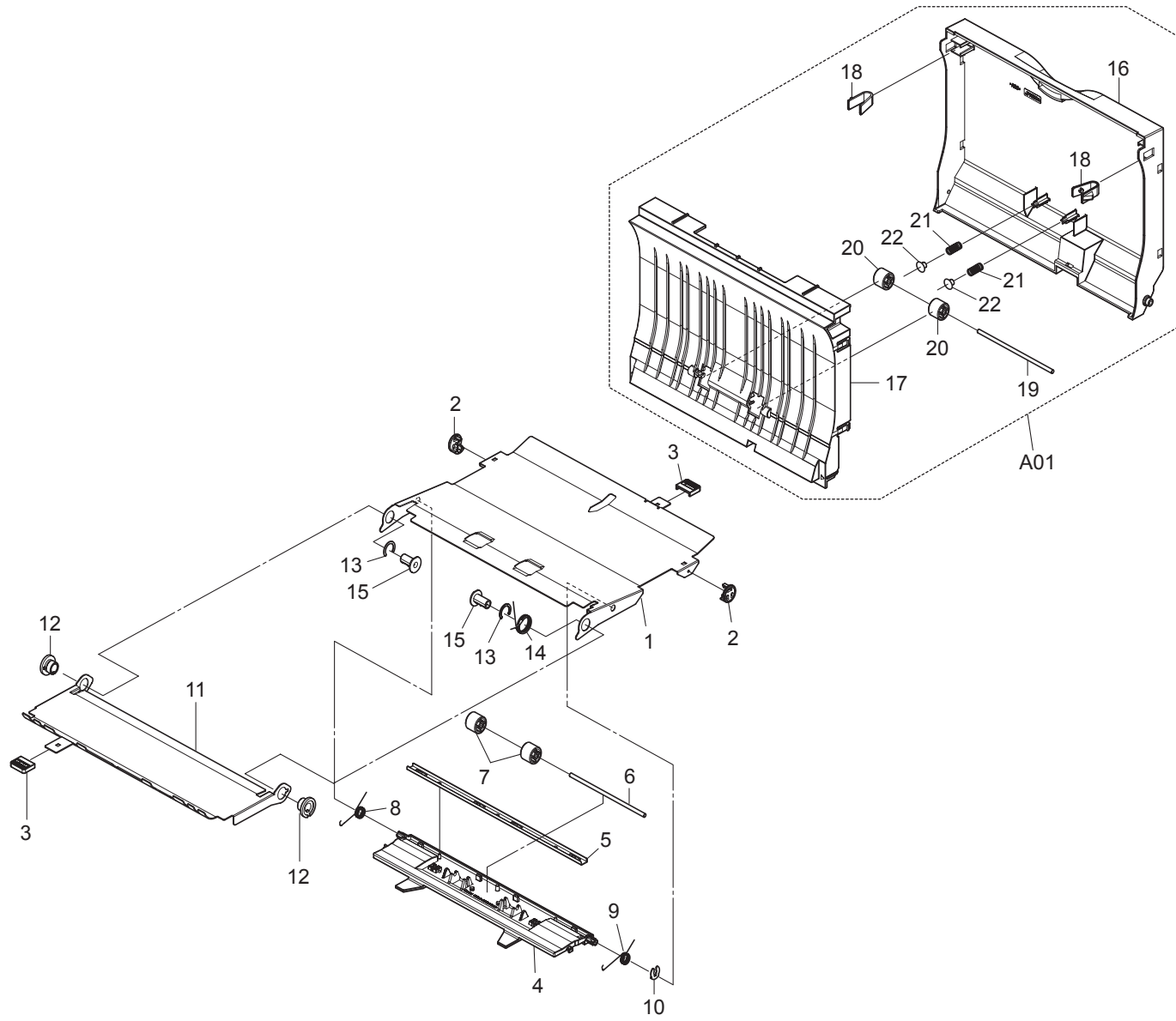


FIG. 9 Duplex Unit

SP	Ref. No.	Part.No.	Alternative.	Description	Quantity	
					120	230
	1	2FM02390	5MMX876SD005	COVER DU B	1	1
	2	2FM21050	5MVX173DN001	COLLER DU	2	2
	3	2FM02690	5MVX221DG002	LEVER DU	2	2
	4	2FM21010	5MVX861XB001	HOLDER DU	1	1
	5	2FM21020	5MML821SD009	STAY DU	1	1
	6	2FM02420	5MMT630SN003	SHAFT PULLEY	1	1
⊙	7	2FM02210	5MVM274DN002	PULLEY MID	2	2
	8	2FM02510	5MMW166SD002	SPRING HOLDER L	1	1
	9	2FM02520	5MMW166SD003	SPRING HOLDER R	1	1
⊙	10	5MVX111DN003	2A806250	RING STOPPER	1	1
	11	2FM02380	5MMX876SD004	COVER DU A	1	1
	12	2FM02140	5MVM786XB001	BUSH DU	2	2
	13	5MBCK9560XSC	D4103700	C STOP RING	2	2
	14	2FM02500	5MMW176SD002	SPRING DU R	1	1
	15	2FM21030	5MVM276DN017	STOPPER BUSH	2	2
⊙	A01	2FM68240		REAR COVER ASSY	1	1
	16	*2FM02110	5MVB874SH021	COVER REAR	1	1
	17	*2FM02120	5MVB874SH022	GUIDE FD	1	1
	18	*2FM02200	5MVX321DN025	LOCK FD	2	2
	19	*2FM02420	5MMT630SN003	SHAFT PULLEY	1	1
⊙	20	*2FM02600	5MVM274DN003	PULLEY MID B	2	2
	21	*2FM04100	5MMW166LD012	SPRING PULLEY A	2	2
	22	*2FM04150	5MVM163DN005	CAP SPRING	2	2

- Parts with "*" are component parts or sub-assemblies of the assembly appearing immediately above them.
- Parts with "⊙" indicates the spare parts.

- Parts with "•" are component parts or sub-assembly with "•" appearing immediately above them.

FIG. 10 Packing Assemblies

SP	Ref. No.	Part.No.	Alternative.	Description	Quantity	
					120	230
⊙	1	302G680080	2G680080	PACKING ASSY	1	1
⊙	2	5KKF656260B4	2A878111	POLY BAG	1	1

• Parts with "*" are component parts or sub-assemblies of the assembly appearing immediately above them.

• Parts with "⊙" indicates the spare parts.

• Parts with "••" are component parts or sub-assembly with "*" appearing immediately above them.

INDEX

SP	Part.No.	Alternative.	Description	Fig.No.	SP	Part.No.	Alternative.	Description	Fig.No.
⊙	2BP00050		COVER MPF ASSY	6		2FM02390	5MMX876SD005	COVER DU B	9
	2BY02010	5MMX632LD008	CONTACT MAIN MR	2		2FM02400	5MMX333SD003	PLATE EARTH BRUSH	3
⊙	2BY20070	5MVX221XN004	BUSH PRESS	7		2FM02410	5MMX872LD001	PLATE EARTH DU	3
	2BY28010		BOX CONTROLLER	3		2FM02420	5MMT630SN003	SHAFT PULLEY	1,2,9
	2DC02040		FRAME MIDDLE	6	⊙	2FM02430	5MMT876SN100	ROLLER REGIST LOW	2
	2DC02100		FILM PS LOW	2	⊙	2FM02440	5MMT774SN002	ROLLER MIDDLE	2
⊙	2DC06010	5SNSP0015035	CLUTCH FEED	3		2FM02450	5MMT774SN004	ROLLER EXIT UP	2
	2DC07010		STOPPER PAPER	8		2FM02460	5MMW231LD003	SPRING ACTUATOR	3
	2DC07020		POSITIONING FOLIO PAPER	8	⊙	2FM02470	5MVS622KF014	SHEET REGIST	2
	2DC13020		SHUTTER LSU	6		2FM02480	5MMW265SD001	SP LEVER SOLENOID	3
	2DC13030		MIRROR LSU	6		2FM02500	5MMW176SD002	SPRING DU R	9
	2DC13040		SPRING FULL SENSOR	6		2FM02510	5MMW166SD002	SPRING HOLDER L	9
⊙	2DC16040		SPRING TC R	2		2FM02520	5MMW166SD003	SPRING HOLDER R	9
⊙	2DC20010		SPRING PRESS ROLLER	7		2FM02530	5MMW166LD014	SPRING PULLEY C	2
⊙	2DC20060		ROLLER PRESS	7	⊙	2FM02580	5MMW261LD064	SPRING REGIST C	2
	2DC22020		MOUNT MACHINE DRIVE	5	⊙	2FM02600	5MVM274DN003	PULLEY MID B	9
⊙	2DC22030		GEAR 48/21	5		2FM02640		PIN ASSY	3
	2DC26080		GROUND PLATE SR	2	⊙	2FM02660	5MMS662AX001	SEAL FAN	3
	2DC26100		CONTACT TRANSFER	2		2FM02670	5MVS222KF021	SEAL MP FEED	6
	2DC26110		PLATE EARTH LSU	6		2FM02680	5MVS329RN004	PAD PWB	3
	2FM02030	5MVB883XB001	FRAME BASE	2		2FM02690	5MVX221DG002	LEVER DU	9
	2FM02040	5MVX821XB001	PAPER SHUTE LOW	2		2FM02710	5MVS422KF010	SPACER PAD	6
	2FM02050	5MVB854CH001	FRAME FEED	2		2FM02730	5MVS225KF003	SPACER TRANSFER	2
	2FM02060	5MVB866CH036	GUIDE TURN B	6	⊙	2FM02750	5MVS312KF012	SHEET GUIDE B	2
	2FM02070	5MVB854CH002	HOLDER MP FEED	6		2FM02760	5MVS421KF024	SHEET FRAME	3
	2FM02080	5MVX875CH001	COVER PWB	3		2FM04010		COVER RIGHT	1
	2FM02090	5MVB666CN001	HOLDER GEAR CLUTCH	3	⊙	2FM04020		COVER LEFT	1
	2FM02100	5MVX843SC002	PAPER CHUTE UP	6		2FM04031	5MVB886CH014	COVER TOP	1
	2FM02110	5MVB874SH021	COVER REAR	9		2FM04050	5MVB832SH001	COVER FD	1
	2FM02120	5MVB874SH022	GUIDE FD	9	⊙	2FM04060	5MVX322DK001	ACTUATOR PAPER	1
⊙	2FM02130	5MVX432CB013	ACTUATOR REGIST	3	⊙	2FM04070	5MVX761CH002	STOPPER FD	1
	2FM02140	5MVM786XB001	BUSH DU	9	⊙	2FM04090	5MVS625LD002	DISCHARGER FD	1
⊙	2FM02150	5MVX422DB007	ACTUATOR PE	2		2FM04100	5MMW166LD012	SPRING PULLEY A	1,9
	2FM02160	5MVB223DN001	HOLDER ACTUATOR	3	⊙	2FM04130	5MVX541SH001	TRAY FD SUB	1
⊙	2FM02170	5MVM776DN001	PULLEY FEED	2	⊙	2FM04140	5MVX666SH006	TRAY LGL	1
⊙	2FM02180	5MVX221DN020	BUSH REGIST C	2	⊙	2FM04150	5MVM163DN005	CAP SPRING	1,9
	2FM02190	5MVX532DN004	GUIDE CHANGE	7	⊙	2FM04160	5MVS211KF074	SHEET FD	1
	2FM02200	5MVX321DN025	LOCK FD	9		2FM06010	5MVX765SH004	GUIDE SIDE L	8
⊙	2FM02210	5MVM274DN002	PULLEY MID	1,2,9		2FM06020	5MVX765SH005	GUIDE SIDE R	8
⊙	2FM02220	5MVG144DN001	GEAR Z36H-Z21H-Z34S	5		2FM06030	5MMW261LD065	SPRING BOTTOM MPF	6
⊙	2FM02230	5MVG133DN018	GEAR Z24S	3	⊙	2FM14060	5MMT876SN102	ROLLER TRANSFER C	2
⊙	2FM02240	5MVG133DN019	GEAR MID Z25S	3	⊙	2FM14070	5MMT876SN103	ROLLER TRANSFER I	2
⊙	2FM02250	5MVG133DN020	GEAR Z21H-Z21S	3		2FM20011	5MVB876KB001	FRAME FUSER LOW	7
⊙	2FM02260	5MVG144DN002	GEAR MID Z37S	3		2FM20020	5MVB863KB005	FRAME FUSER UP	7
⊙	2FM02320	5MVG144DN003	GEAR FD Z31	3	⊙	2FM20031	5MMX632KB001	GUIDE FUSER LOW	7
⊙	2FM02330	5MVG133DN021	GEAR Z28	3		2FM20041	5MVX752CB001	ACTUATOR FUSER A	7
⊙	2FM02340	5MVG132DN004	GEAR Z23	3		2FM20050	5MVX651DN001	LEVER SOLENOID	3
⊙	2FM02350	5MVG133DN022	GEAR Z22	3		2FM20060	5MMX632LD009	HOLDER LAMP	7
	2FM02360	5MMX776SD006	PLATE CONTROLLER	3		2FM20080	5MVL731WN21	LABEL FUSER CAUTION	2
	2FM02380	5MMX876SD004	COVER DU A	9	⊙	2FM20090	5MMT774SN005	ROLLER EXIT LOW	7

• Parts with "⊙" indicates the spare parts.

SP	Part.No.	Alternative.	Description	Fig.No.	SP	Part.No.	Alternative.	Description	Fig.No.
	2FM21010	5MVX861XB001	HOLDER DU	9	⊙	302G645010	2G645010	SWITCHING REGULATOR(E)	3
	2FM21020	5MML821SD009	STAY DU	9	⊙	302G645020	2G645020	SWITCHING REGULATOR(U)	3
	2FM21030	5MVM276DN017	STOPPER BUSH	9	⊙	302G645030	2G645030	TRANS ASSY	3
	2FM21050	5MVX173DN001	COLLER DU	9		302G646010	2G646010	CONN.CORD ASSY MAIN-LSU S03157	6
⊙	2FM27020	5HZPB2413120102	HEATER LAMP E	7		302G646020	2G646020	CONN.CORD ASSY ENGINE-BIAS S03158	3
⊙	2FM27030	5HZPB1216320102	HEATER LAMP U	7		302G646030	2G646030	CONN.CORD ASSY ENGINE-BIAS2 S03159	3
⊙	2FM68200		COVER TOP ASSY	1		302G646040	2G646040	CONN.CORD ASSY ENGINE-LSU S03160	6
⊙	2FM68240		REAR COVER ASSY	9		302G646050	2G646050	CONN.CORD ASSY ENGINE-M.MOT S03161	3
⊙	2FM68250		GEAR CLUTCH ASSY A	3		302G646060	2G646060	CONN.CORD ASSY ENGINE-MAIN S03162	3
	2FM68260		GEAR CLUTCH ASSY B	3		302G646070	2G646070	CONN.CORD ASSY ENGINE-PAPER EMPTY S03163	2
⊙	2FM68270		REGIST KIT	2		302G646110	2G646110	CONN.CORD ASSY ENGINE-MMOT	6
⊙	2FM68291		SOLENOID REGIST ASSY	5		302G646120	2G646120	CONN.CORD ASSY PWS-HEAT(E) S03168	7
⊙	2FM68300		SEPARATOR MPF ASSY	6		302G646130	2G646130	CONN.CORD ASSY PWS-HEAT(U) S03169	7
⊙	2FM68310		ROLLER MIDDLE ASSY	2		302G646140	2G646140	CONN.CORD ASSY M.MOT-PF S03170	5
⊙	2FM68320		SEPARATOR PAPER ASSY	8	⊙	302G680030	2G680030	LID TOP ASSY	1
⊙	2FM68340		ROLLER EXIT UP ASSY	2	⊙	302G680040	2G680040	LID TOP ASSY	1
⊙	2FM68350		SOLENOID ASSY	3	⊙	302G680050	2G680050	COVER FRONT ASSY	1
⊙	2FM93101		CT-101(LTR) CASSETTE ASSY LTR	8	⊙	302G680060	2G680060	COVER RIGHT ASSY	1
⊙	302A820161	2A820161	GEAR HEAT Z33	7	⊙	302G680070	2G680070	SEPARATOR PAPER ASSY	8
	302DC26071	2DC26071	SHIELD LSU	6	⊙	302G680080	2G680080	PACKING ASSY	10
	302F325010	2F325010	STUD SCREW M3	3	⊙	302G693010	2G693010	PU-120 PROCESS UNIT	4
⊙	302FM00022	2FM00022	BASE MPF ASSY	6	⊙	302G693020	2G693020	LK-120 LASER SCANNER UNIT	6
	302FM04121	2FM04121	HOLDER PANEL	1	⊙	302G693030	2G693030	DR-120 DRIVE UNIT	5
⊙	302FM06060	2FM06060	SPRING CASSETTE	8	⊙	302GM01190	2GM01190	FULL SENSOR ASSY	6
⊙	302FM93012	2FM93012	FK-101(E) FUSER UNIT(E)	7	⊙	302GM01200	2GM01200	TE SENSOR ASSY	6
⊙	302FM93022	2FM93022	FK-101(U) FUSER UNIT(U)	7	⊙	5AAVB0T0M009	2A806920	BOTTOM CASSETTE KIT	8
⊙	302FM93140	2FM93140	CT-101(A4) CASSETTE ASSY A4	8	⊙	5AAVCLTCH016	2A806120	CLUTCH REGIST	3
	302FV12080	2FV12080	LABEL LASER CAUTION	6	⊙	5AAVCLTCH031	2FM06040	CLUTCH MPF	3
⊙	302G601030	2G601030	P.W.BOARD ASSY (BIAS)	3	⊙	5AAVR0LL+044	2A806010	ROLLER FEED ASSY	2
⊙	302G601050	2G601050	P.W.BOARD ASSY (LED)	6	⊙	5AAVR0LL+045	2A806510	ROLLER MPF ASSY	6
⊙	302G601090	2G601090	P.W.BOARD ASSY DIMM	3	⊙	5AAVSEPRT015	2A820360	SEPARATOR ASSY	7
⊙	302G601100	2G601100	P.W.BOARD ASSY (MAIN WITH DIMM)	3	⊙	5AAV3010E+47	2A868540	COVER DIMM ASSY	1
⊙	302G601110	2G601110	P.W.BOARD ASSY ENGINE(SP)	3	⊙	5AAV3010E+51	2A868600	GUIDE LED KIT	1
	302G602020	2G602020	SEAL SCANNER A	6	⊙	5EYFFQ16001++01	2BY20020	THERMOSTAT 250V 160	7
	302G602030	2G602030	SEAL SCANNER B	6	⊙	5FNXGP1A73A++02	2DC27180	PT.SENSOR GP1A73AJ00/BK	2,6
	302G602040	2G602040	SEAL SCANNER C	6	⊙	5KKF656260B4	2A878111	POLY BAG	10
	302G602050	2G602050	SEAL COVER A	6		5MBCK9560XSC	D4103700	C STOP RING	9
	302G602060	2G602060	SEAL COVER B	1		5MMP141LD002	2A807510	PLATE SIDE GUIDE	8
	302G604010	2G604010	COVER FRONT	1		5MMP141LD003	2A807520	PLATE STOPPER	8
	302G604020	2G604020	LID TOP	1		5MMS111SL002	2BY20050	NUT FUSER A	7
	302G604040	2G604040	LID TOP	1		5MMS664SX001	2BY28020	PLATE OPTION	3
⊙	302G622010	2G622010	SPRING TC L	2		5MMS856SL001	2A807170	PLATE BOTTOM	8
	302G624010	2G624010	PLATE EARTH GUIDE ASSY	2	⊙	5MMT263SN012++R	2D903100	SCREW OP	1,3
⊙	302G625000	2G625000	THERMISTOR FUSER	7	⊙	5MMT364SN003	2A822130	PIN DRIVE	3
⊙	302G631010	2G631010	MOTOR MAIN	5	⊙	5MMT365SN003	2A815020	PIN CONTACT BIAS	3
⊙	302G644010	2G644010	SOLENOID FEED	3		5MMT766SN007	2A806020	SHAFT FEED	2
	302G644020	2G644020	SOLENOID REGIST	5		5MMT766SN008	2A806530	SHAFT MPF	6
⊙	302G644030	2G644030	SOLENOID MPF	5		5MMT865SN010	2A806050	ROLLER REGIST UP	2
⊙	302G644040	2G644040	SOLENOID DU	3	⊙	5MMT876AX002	2BY20010	ROLLER HEAT	7
⊙	302G644050	2G644050	FAN COOLING	3		5MMW171LD006	2A807530	SPRING STOPPER	8

• Parts with "⊙" indicates the spare parts.

SP	Part.No.	Alternative.	Description	Fig.No.	SP	Part.No.	Alternative.	Description	Fig.No.
⊙	5MMW251LD044	2A800120	SPRING CASSETTE	8	⊙	5MVM188XN015	2A820120	BUSH HEAT R	7
	5MMW251LD045	2A807140	SPRING LOCK	8	⊙	5MVM188XN016	2A820131	BUSH HEAT L	7
⊙	5MMW251LD047	2A807110	SPRING SEPARATOR C	8	⊙	5MVM273DB005	2A820100	PULLEY EXIT	7
	5MMW261LD017	2A820520	SPRING ACTUATOR	7		5MVS217SN002	2A806280	PAD SOLENOID	5
⊙	5MMW261LD023	2A806410	SPRING REGIST R	2	⊙	5MVS228RB019	2A802500	FOOT	6
	5MMW261LD036	2A814570	SPRING TE SENSOR	6	⊙	5MVS312KF011	2A806480	SHEET GUIDE	6
	5MMW261LD038	2A806570	SPRING SEPA MPF	6		5MVS315CN001	2A807910	SPACER CASSETTE	8
⊙	5MMW261LD055	2A820350	SPRING SEPARATOR	7		5MVS416XN001	2A806560	PAD SEPARATOR MPF	6
	5MMW271LD010	2A822140	SPRING FREE	3		5MVS431TX001	2A806760	TAPE SEPARATOR	6
	5MMW341LD005	2A802070	SPRING PIN CASSETTE	2		5MVS616XN001	2A807080	PAD BOTTOM	8
	5MMW341LD006	2A813050	SPRING SHUTTER LSU	6		5MVS616XN002	2A806680	PAD BOTTOM MPF	6
	5MMW351LD006	2A802060	SPRING INTERLOCK	2		5MVS765KF001	2A827060	SHEET SW REG	3
	5MMW361LD015	2A815010	SPRING PIN BIAS	3		5MVT653DW001	2A802050	PIN CASSETTE	2
	5MMW601LD011	2A820260	SPRING PULLEY	7	⊙	5MVX111DN003	2A806250	RING STOPPER	2,3,6,9
	5MMX221LD024	2A813030	SPRING MIRROR	6	⊙	5MVX211DB016	2A820110	BUSH EXIT	2,7
	5MMX332LD013	2A806750	PLATE EARTH MPF	3	⊙	5MVX221DB019	2A806420	BUSH REGIST L	2
	5MMX521LD005	2A822150	PLATE EARTH DRUM	5	⊙	5MVX221DB023	2A816020	BUSH TC L	2
	5MMX532LD005	2A806210	CONTACT EARTH REG	2		5MVX221DN014	2A806620	CAM MPF R	6
	5MMX665LD004	2A820280	PLATE EARTH FUSER	7	⊙	5MVX221DW006	2A806430	BUSH REGIST R	2
	5MMX761LD002	2A804510	PLATE SHIELD	1	⊙	5MVX221DW008	2A816030	BUSH TC R	2
	5MMX773SL001	2A827030	PLATE SW REG	3		5MVX322SB020	2A820300	ACTUATOR FUSER B	3
	5MVB663SB048	2A822200	COVER CORD	3	⊙	5MVX322SN002	2A824030	LEVER BUTTON	1
⊙	5MVB773CH001	2A804010	COVER DIMM	1		5MVX422DN005	2A804080	HINGE FRONT L	1
⊙	5MVB851SH003	2A804020	COVER REAR SIDE	1		5MVX422DN006	2A804090	HINGE FRONT R	1
	5MVB872SH019	2A806661	BASE MPF	6		5MVX431DW001	2A807121	LOCK CASSETTE R	8
	5MVB872SH028	2BP06040	COVER MPF	6		5MVX431DW002	2A807131	LOCK CASSETTE L	8
	5MVB886SH063	2A807010	BASE CASSETTE	8	⊙	5MVX432DB010	2A806600	ACTUATOR MPF	6
⊙	5MVG126DB025	2A806240	GEAR REGIST Z13	2	⊙	5MVX444SH001	2A824040	BUTTON A	1
⊙	5MVG127DB047	2A806230	GEAR REGIST Z20	2	⊙	5MVX444SH002	2A824050	BUTTON B	1
⊙	5MVG127DB048	2A816060	GEAR TC Z18	2		5MVX522DB004	2A806550	SEPARATOR MPF	6
⊙	5MVG127DN070	2A820190	GEAR IDLE Z18	7		5MVX541DG002	2A807191	LEVER REAR	8
	5MVG127DN071	2A807050	GEAR CASSETTE	8		5MVX541DG003	2A807161	LEVER SIDE	8
⊙	5MVG137DN029	2A822180	GEAR Z21H	5		5MVX643AC001	2A824060	GUIDE LED	1
⊙	5MVG137DN031	2A820170	GEAR EXIT Z23	7		5MVX654SL001	2BY28030	GUIDE OPTION SLOT	3
	5MVG137DN032	2A806720	GEAR MPF	6		5MVX721DN001	2A802040	LEVER INTERLOCK	2
⊙	5MVG138DN041	2A822100	GEAR FREE Z25S	3		5MVX751SH001	2A806740	TRAY MPF B	6
⊙	5MVG138DN042	2A822170	GEAR Z24H	5		5MVX752SH002	2A806700	GUIDE MPF R	6
⊙	5MVG148DN044	2A822050	GEAR Z40H	5		5MVX752SH003	2A806710	GUIDE MPF L	6
⊙	5MVG148DN045	2A822080	GEAR Z38H	3		5MVX852CB003	2A806670	BOTTOM PLATE MPF	6
⊙	5MVG148DN046	2A822090	GEAR FREE Z40H	3		5MVX861SH004	2A806730	TRAY MPF A	6
⊙	5MVG148DN047	2A822110	GEAR Z34S	3		5MVX882SH002	2A807060	BOTTOM CASSETTE	8
⊙	5MVG148XN009	2A820180	GEAR IDLE Z34	7	⊙	5PLPWCTAPKX	2FM93120	MC-41 MCH ASSY	4
⊙	5MVG168DN017	2A822030	GEAR Z68H-Z21H	5		7BB302305H	BB018540	+TP TAP-TITE B SCREWM3X5(CRFREE)	6
⊙	5MVG169DN032	2A822060	GEAR Z95H-Z21H	5		M2108800		SPACER,KGPS-3.5S(KITAGAWA)	5
⊙	5MVG169DN033	2A822070	GEAR Z53H	5					
	5MVL311KF003	2A807550	SHEET CASSETTE	8					
	5MVL421CB001	2A824020	SHEET LED	1					
⊙	5MVM161DW001	2A806260	BUSH PULLEY FEED	2					
⊙	5MVM176DN026	2A806030	BUSH FEED	2,6					
⊙	5MVM176DW001	2A821010	BUSH EXIT	2					

• Parts with "⊙" indicates the spare parts.

KYOCERA MITA EUROPE B.V.

Hoeksteen 40, 2132 MS Hoofddorp,
The Netherlands
Phone: +31.20.654.0000
Home page: <http://www.kyoceramita-europe.com>
Email: info@kyoceramita-europe.com

KYOCERA MITA NEDERLAND B.V.
Beechavenue 25, 1119RA Schiphol-Rijk
The Netherlands
Phone: +31.20.58.77.200

KYOCERA MITA (UK) LTD
8 Beacontree Plaza
Gillette Way Reading Berks RG2 0BS,
U.K.
Phone: +44.1189.311.500

KYOCERA MITA ITALIA S.p.A.
Via G. Verdi, 89 / 91, 20063 Cernusco s/N
Milano, Italy
Phone: +39.02.92179.1

S.A. KYOCERA MITA BELGIUM N.V.
Hermestraat 8A, 1930 Zaventem,
Belgium
Phone: +32.2.720.9270

KYOCERA MITA FRANCE S.A.
Parc Les Algorithmes Saint Aubin
91194 GIF-SUR-YVETTE,
France
Phone: +33.1.6985.2600

KYOCERA MITA ESPAÑA S.A.
Edificio Kyocera, Avda de Manacor No. 2,
28290 Las Matas (Madrid),
Spain
Phone: +34.91.631.8392

KYOCERA MITA FINLAND OY
Kirvesmiehenkatu 4, 00880 Helsinki,
Finland
Phone: +358.9.4780.5200

KYOCERA MITA (SCHWEIZ)
Hohlstrasse 614, 8048 Zürich
Switzerland
Phone: +41.1.908.4949

KYOCERA MITA DEUTSCHLAND GMBH
Otto-Hahn-Str. 12 D-40670 Meerbusch,
Germany
Phone: +49.2159.918.0

KYOCERA MITA GMBH AUSTRIA
Eduard-Kittenberger-Gasse 95,
1230 Wien,
Austria
Phone: +43.1.86338.210

KYOCERA MITA SVENSKA AB
Esbogatan 16B 164 75 Kista,
Sweden
Phone: +46.8.546.55000

KYOCERA MITA NORGE
Postboks 150 Oppsal, NO 0619 Oslo
Olaf Helsetsvei 6, NO 0694 Oslo,
Norway
Phone: +47.22.62.73.00

KYOCERA MITA DANMARK A/S
Ejby Industrivej 1, DK-2600 Glostrup,
Denmark
Phone: +45.5687.1100

KYOCERA MITA PORTUGAL LDA.
Rua do Centro Cultural, 41 (Alvalade) 1700-106 Lisbon,
Portugal
Phone: +351.21.842.9100

KYOCERA MITA SOUTH AFRICA (PTY) LTD.
527 Kyalami Boulevard,
Kyalami Business Park Midrand,
South Africa
Phone: +27.(0)11.540.2600

KYOCERA MITA AMERICA, INC.

Headquarters:
225 Sand Road,
Fairfield, New Jersey 07004-0008,
U.S.A.
Phone: (973) 808-8444

KYOCERA MITA AUSTRALIA PTY. LTD.
Level 3, 6-10 Talavera Road, North Ryde,
N.S.W. 2113 Australia
Phone: (02) 9888-9999

KYOCERA MITA NEW ZEALAND LTD.
1-3 Parkhead Place, Albany
P.O. Box 302 125 NHPC, Auckland,
New Zealand
Phone: (09) 415-4517

KYOCERA MITA (THAILAND) CORP., LTD.
9/209 Ratchada-Prachachem Road,
Bang Sue, Bangkok 10800, Thailand
Phone: (02) 586-0320

KYOCERA MITA SINGAPORE PTE LTD.
121 Genting Lane, 3rd Level,
Singapore 349572
Phone: 67418733

KYOCERA MITA HONG KONG LIMITED
11/F., Mita Centre,
552-566, Castle Peak Road,
Tsuen Wan, New Territories,
Hong Kong
Phone: 24297422

KYOCERA MITA TAIWAN Corporation.
7F-1~2, No.41, Lane 221, Gangchi Rd.
Neihu District, Taipei, Taiwan, 114. R.O.C.
Phone: (02) 87511560

KYOCERA MITA Corporation

2-28, 1-chome, Tamatsukuri, Chuo-ku
Osaka 540-8585, Japan
Phone: (06) 6764-3555
<http://www.kyoceramita.com>

KYOCERA MITA AMERICA, INC.

Headquarters:

225 Sand Road,
Fairfield, New Jersey 07004-0008
TEL : (973) 808-8444
FAX : (973) 882-6000

New York Branch:

1410 Broadway 23rd floor
New York, NY 10018
TEL : (917) 286-5400
FAX : (917) 286-5402

Northeastern Region:

225 Sand Road,
Fairfield, New Jersey 07004-0008
TEL : (973) 808-8444
FAX : (973) 882-4401

Midwestern Region:

201 Hansen Court Suite 119
Wood Dale, Illinois 60191
TEL : (630) 238-9982
FAX : (630) 238-9487

Western Region:

14101 Alton Parkway,
Irvine, California 92618-7006
TEL : (949) 457-9000
FAX : (949) 457-9119

Southeastern Region:

1500 Oakbrook Drive,
Norcross, Georgia 30093
TEL : (770) 729-9786
FAX : (770) 729-9873

Southwestern Region:

2825 West Story Road,
Irving, Texas 75038-5299
TEL : (972) 550-8987
FAX : (972) 252-9786

National Operation Center & National Training Center:

2825 West Story Road,
Irving, Texas 75038-5299
TEL : (972) 659-0055
FAX : (972) 570-5816

Latin America Division:

8240 N.W. 52nd. Terrace Dawson Building,
Suite 108 Miami, Florida 33166
TEL : (305) 421-6640
FAX : (305) 421-6666

KYOCERA MITA CANADA, LTD.

6120 Kestrel Road, Mississauga,
Ontario L5T 1S8, Canada
TEL : (905) 670-4425
FAX : (905) 670-8116

KYOCERA MITA MEXICO, S.A. DE C.V.

Av. 16 de Septiembre #407
Col. Santa Inés,
Azcapotzalco México,
D.F. 02130, México
TEL : (55) 5383-2741
FAX : (55) 5383-7804

©2010 KYOCERA MITA Corporation

<http://www.kyoceramita.com>

 **KYOCERA** is a trademark of Kyocera Corporation

Printed in U.S.A.