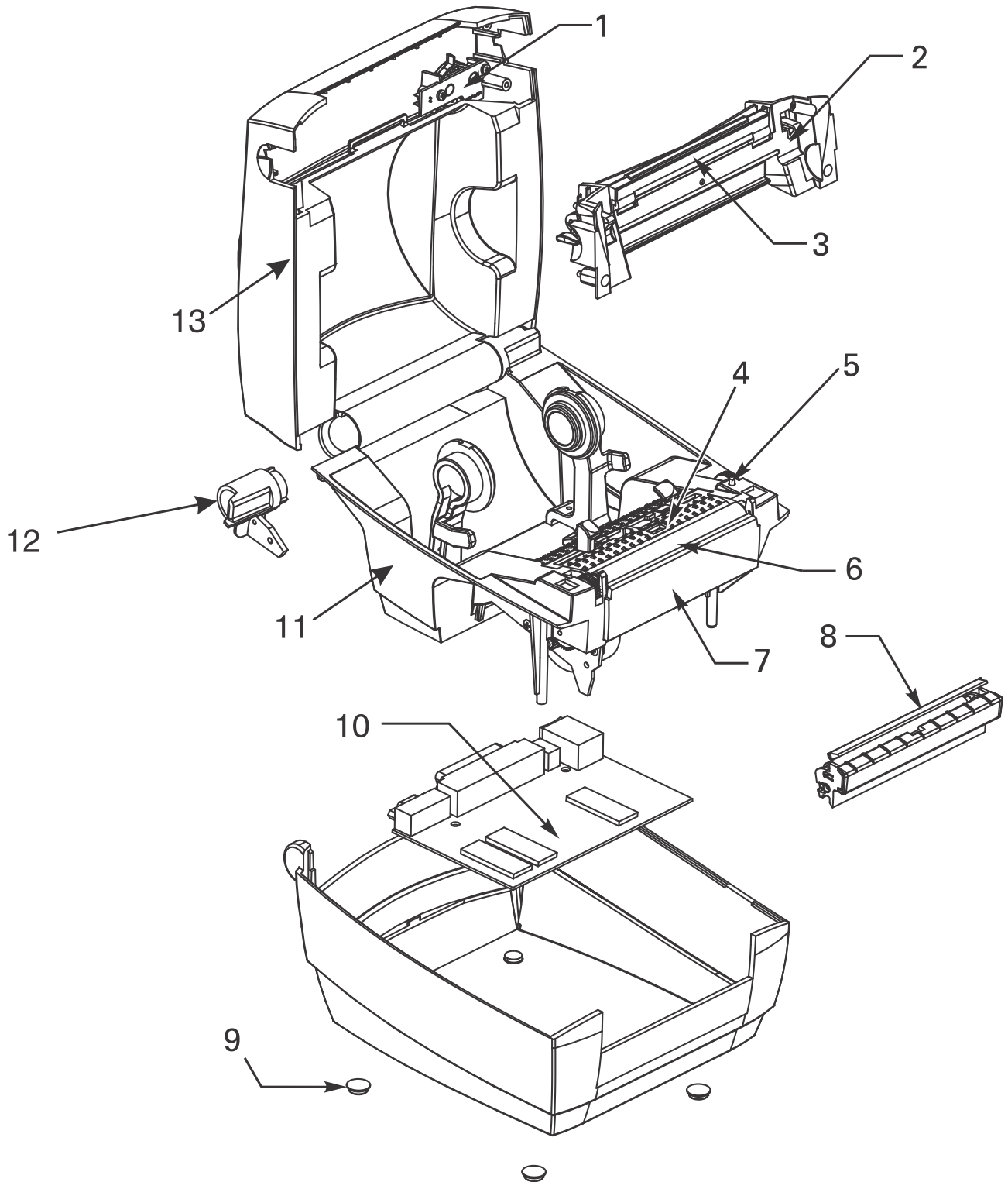


GC420d



Spare Parts List Desktop Printers

GC420d

Item #	Description	Part Number	Support Qty. ¹
1	Feed Switch/Sensor Assy. (Set of 3)	G105910-064	8
2	Latch Assy.	G105910-068	4
3	Printhead Assy., (203 dpi)	G105910-048	4
	Print Head Cable Set	105915-091	2
4	Gap / Blackline Sensor PCBA (Set of 3)	P1012845-002	4
5	Head Up Sensor	G105916-015	4
6	Platen Kit, std. (set of 3)	105910-001	4
7	Front Bezel, Std. Kit (set of 10)	105910-005	4
8	Front Bezel, Dispenser	P1031815-023	4
	Label Taken Sensor PCBA (set of 3)	P1031815-012	8
9	Rubber Foot Kit (set of 24)	105910-007	4
10	Main Control PCBA, Ser./USB/Par., Cutter	P1031815-019	4
	Main Control PCBA, Ethernet/USB, Cutter	P1031815-020	4
11	Lower Frame Assy.	P1031815-025	4
12	Cover Hinge (Set of 10)	G105910-073	4
13	Upper Cover Assy.	G105910-070	4
Not Shown	Motor, Assy.	G105910-108	1
	Nameplate GC420d	P1031815-021	1
	Power Supply, 60W, 20V, with US Cord	P1012845-011	4
	Power Supply, 60W, 20V, with UK and EU Cords	105950-076	4
	Power Cord, US (Set of 5)	105950-061	1
	Power Cord, Euro (Set of 5)	105950-062	1
	Power Cord, U.K (Set of 5)	105950-063	1
	Power Cord, Australia (Set of 5)	105950-064	1
	Power Cord, Argentina (Set of 5)	105950-066	1
	Power Cord, Brazil (Set of 5)	P1037999	1
	Users CD-ROM	P1031815-024	A/R
	Service CD-ROM	P1050233-001	A/R
	Shipping Pack	105950-050	A/R

Notes: 1 - Recommended quantity to support 100 printers.

For the latest spare parts and support information, please go to the Zebra WEB site at:
<http://www.zebra.com/support>