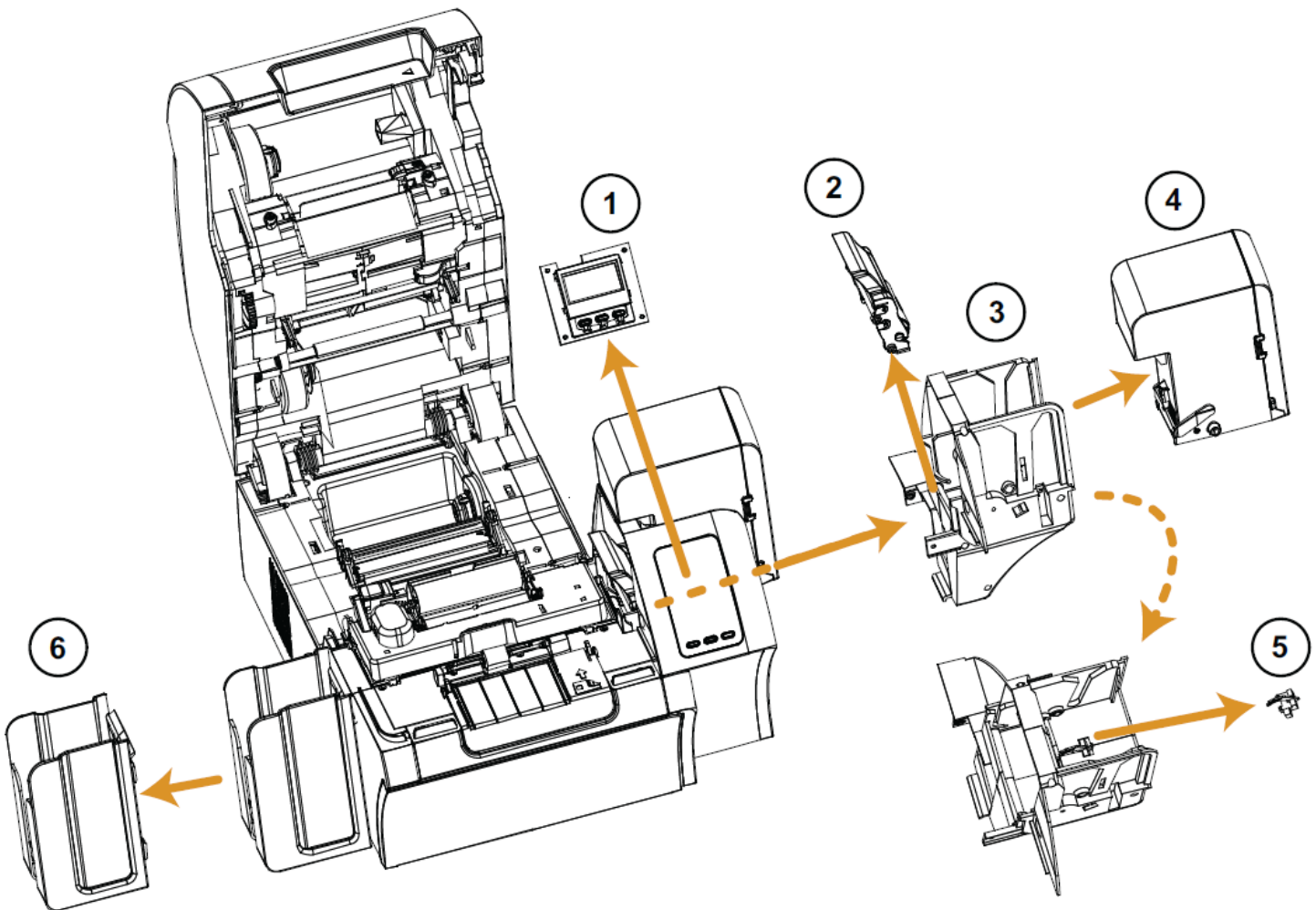




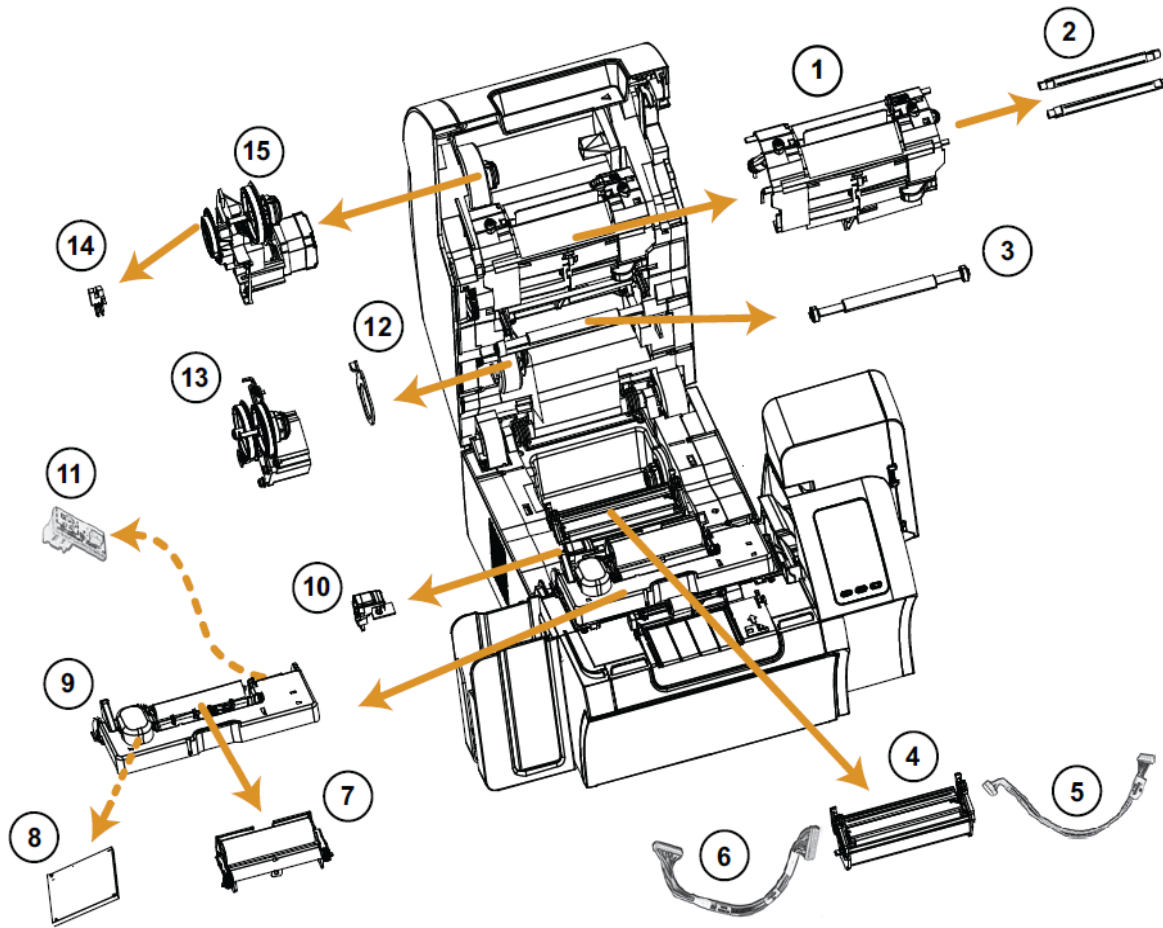
Zebra® ZXP Series 8™ Card Printer

Spare Parts Catalog

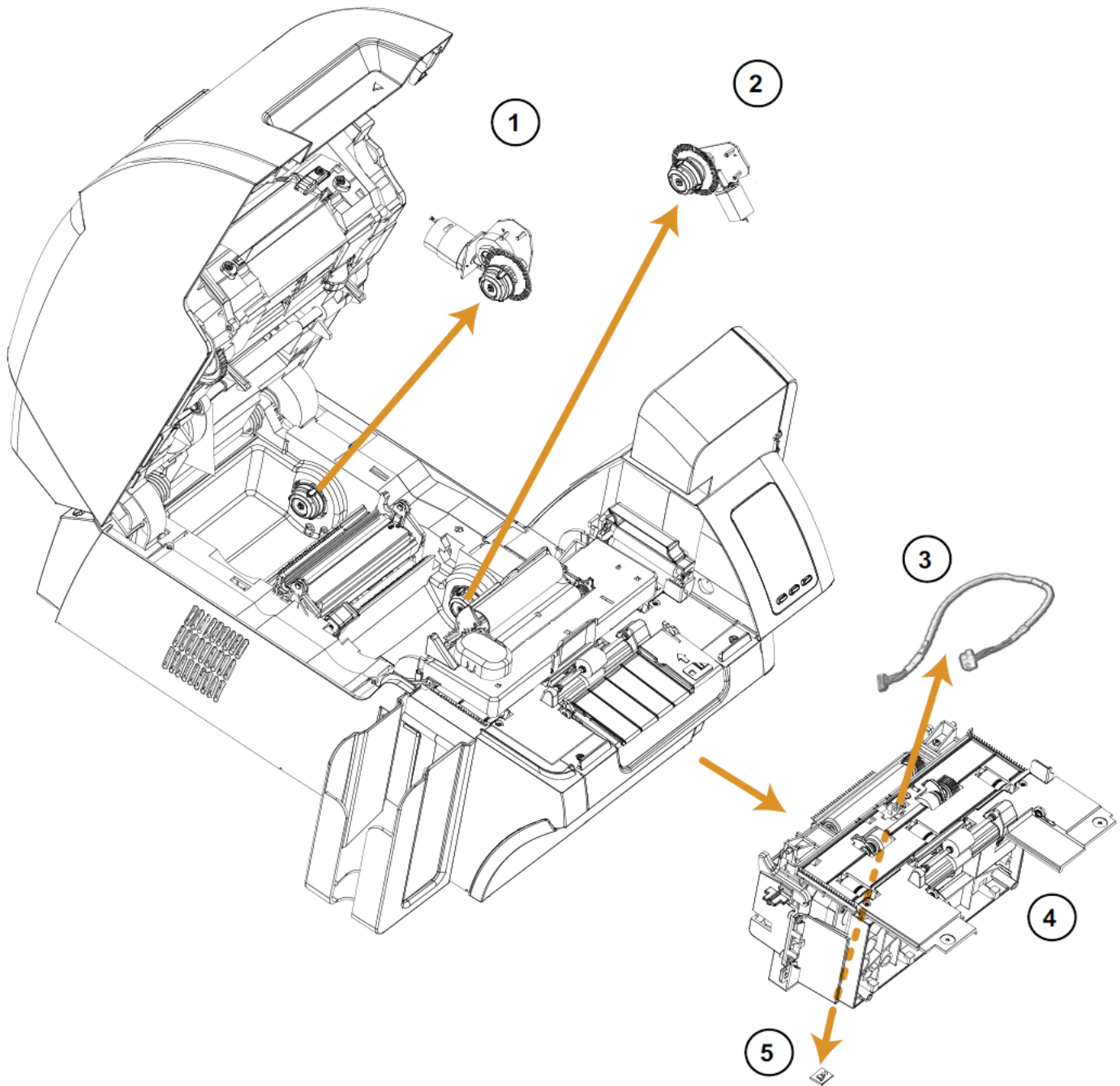
Zebra Technologies International, LLC
ZXP8 Spare Parts Catalog



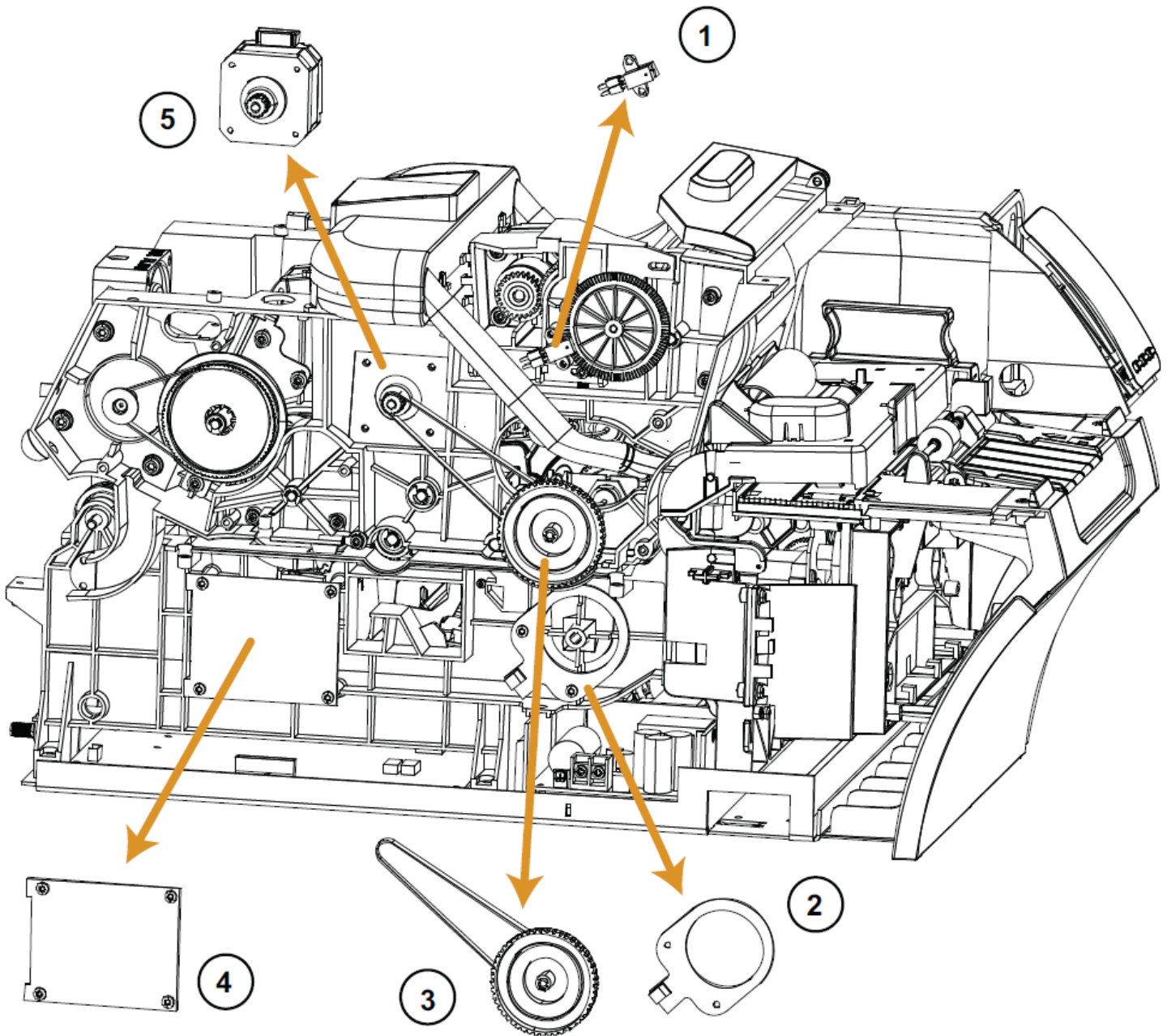
Item Number	Description	Part Number	Kit Quantity
1	Kit Operator Control Panel ZXP8	105936G-012	1
2	Kit Cleaning Cartridge Assembly ZXP8	105936G-033	1
3	Kit Card Feeder Assembly ZXP8	105936G-031	1
4	Kit Card Feeder Box (holds 150 cards) ZXP8	105936G-032	1
5	Kit Card Infeed Sensor ZXP8	105936G-034	1
6	Kit Output Hopper Assembly ZXP8	105936G-035	1
Not Shown	Kit Printer Replacement Lock (replaces existing lock) ZXP8	105936G-049	1



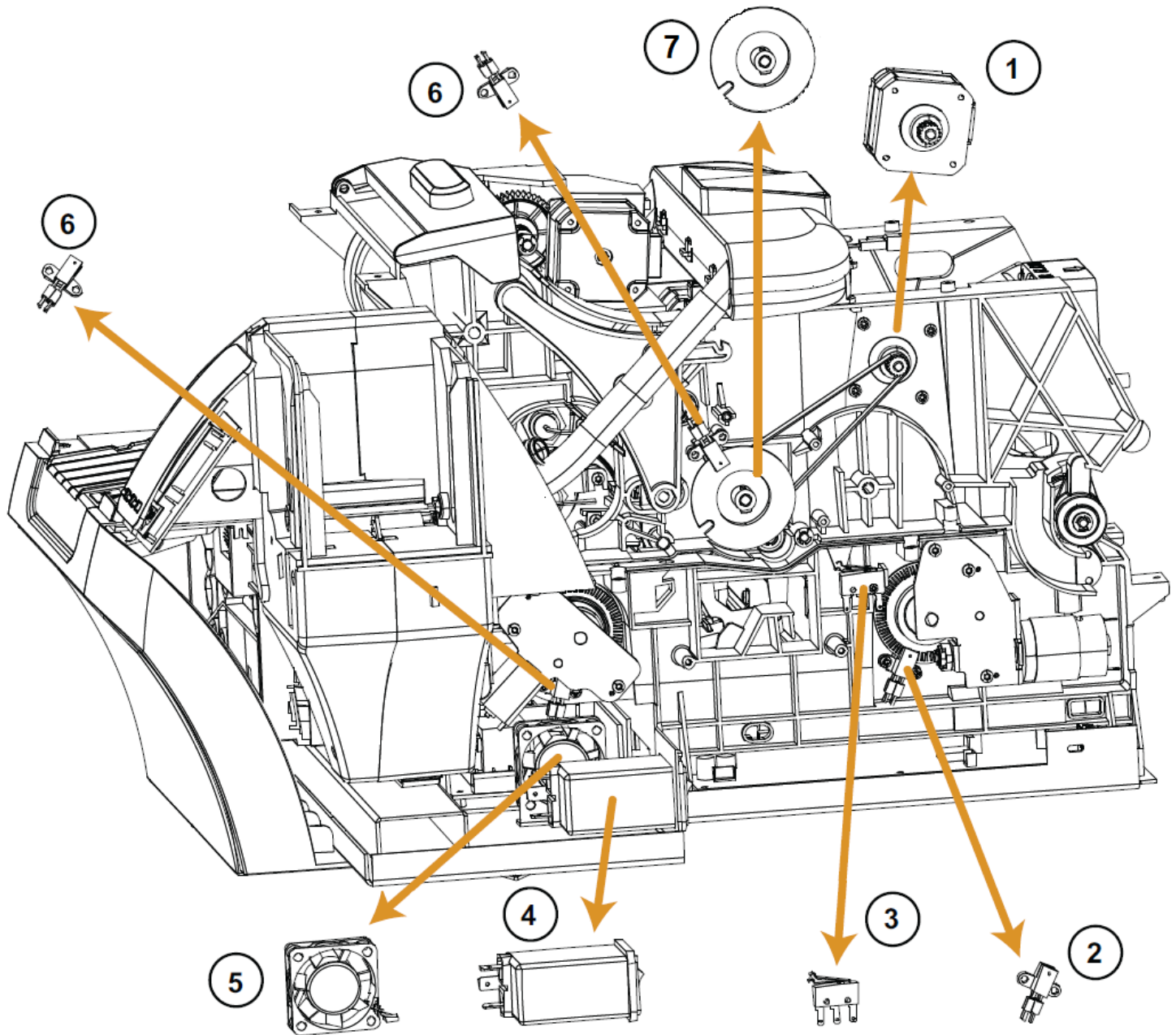
Item Number	Description	Part Number	Kit Quantity
1	Kit Transfer Station Assembly ZXP8	105936G-109	1
2	Kit Halogen Bulbs (Qty 2) ZXP8	105936G-110	2
3	Kit Platen Roller ZXP8	105936G-039	1
4	Kit Printhead Assembly ZXP8	105936G-003	1
5	Kit Power Cable for Printhead ZXP8	105936G-040	1
6	Kit Data Cable for Printhead ZXP8	105936G-017	1
7	Kit Y Roller ZXP8	105936G-036	1
8	Kit Contact Station PCBA (Contact Station) ZXP8	105936G-044	1
	Kit Contactless Encoder PCBA (Contact Encoder/MiFare) ZXP8	105936G-045	1
9	Kit Idler Cover ZXP8	105936G-014	1
10	Kit Tricolor Sensor (see note) ZXP8	105936G-024	1
11	Kit Card Detector Emitter ZXP8	105936G-015	1
12	Kit Media Authentication Coupler PCBA ZXP8	105936G-028	1
13	Kit INTM Payout Assembly ZXP8	105936G-006	1
14	Kit Gap Sensor with cable INTM Take Up ZXP8	105936G-018	2
15	Kit INTM Take Up Assembly ZXP8	105936G-005	1
Not Shown	Kit Contact Station	105936G-052	1



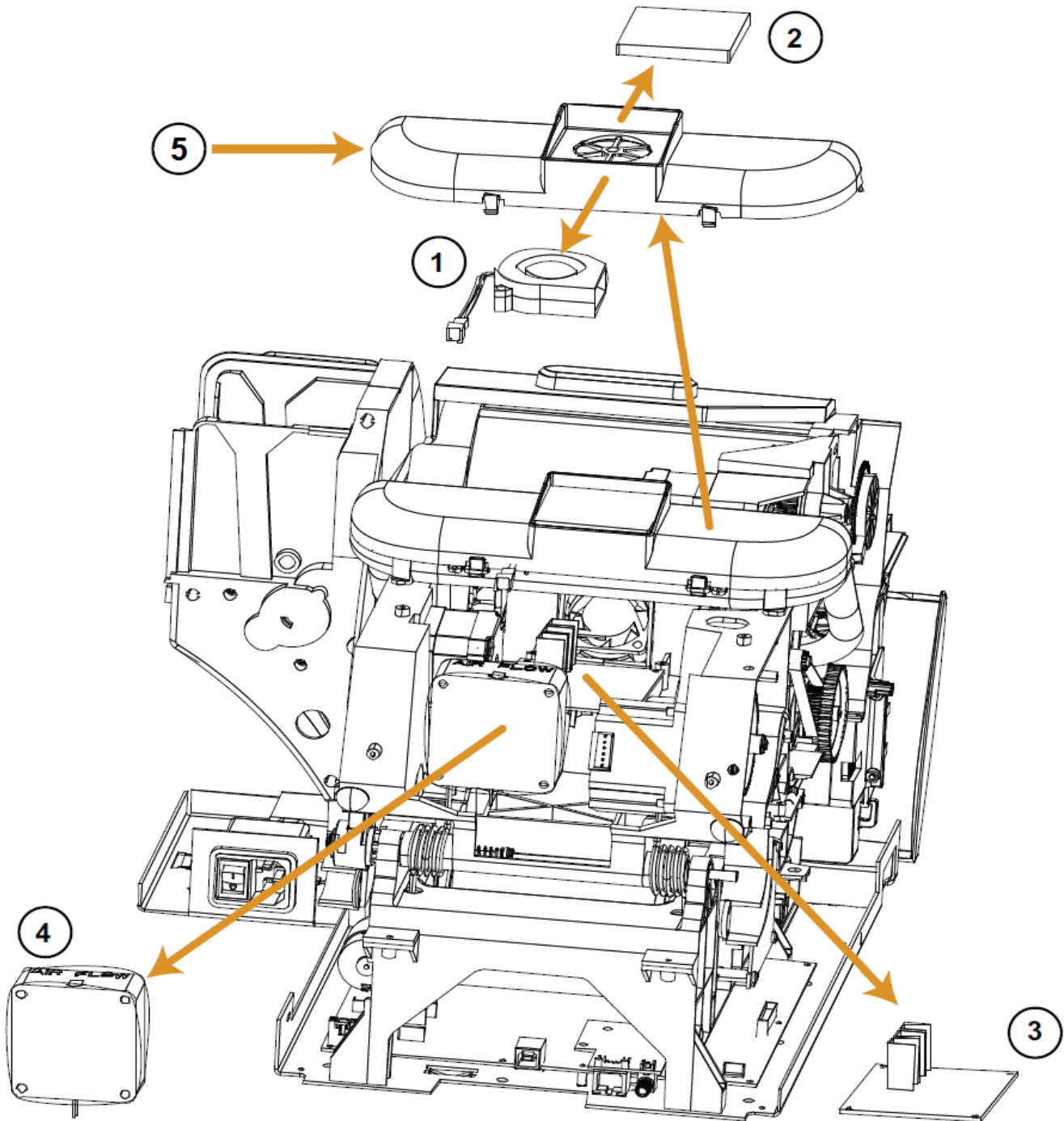
Item Number	Description	Part Number	Kit Quantity
1	Kit Ribbon Tape Up Assembly ZXP8	105936G-002	1
2	Kit Ribbon Payout Drive Assembly ZXP8	105936G-001	1
Not Shown	Kit Ribbon Authentication Coupler PCBA ZXP8	105936G-054	1
3	Kit Mag Encoder ZXP8	105936G-043	1
4	Kit Card Transport Assembly ZXP8	105936G-029	1
5	Kit Card Edge Detector ZXP8	105936G-016	1



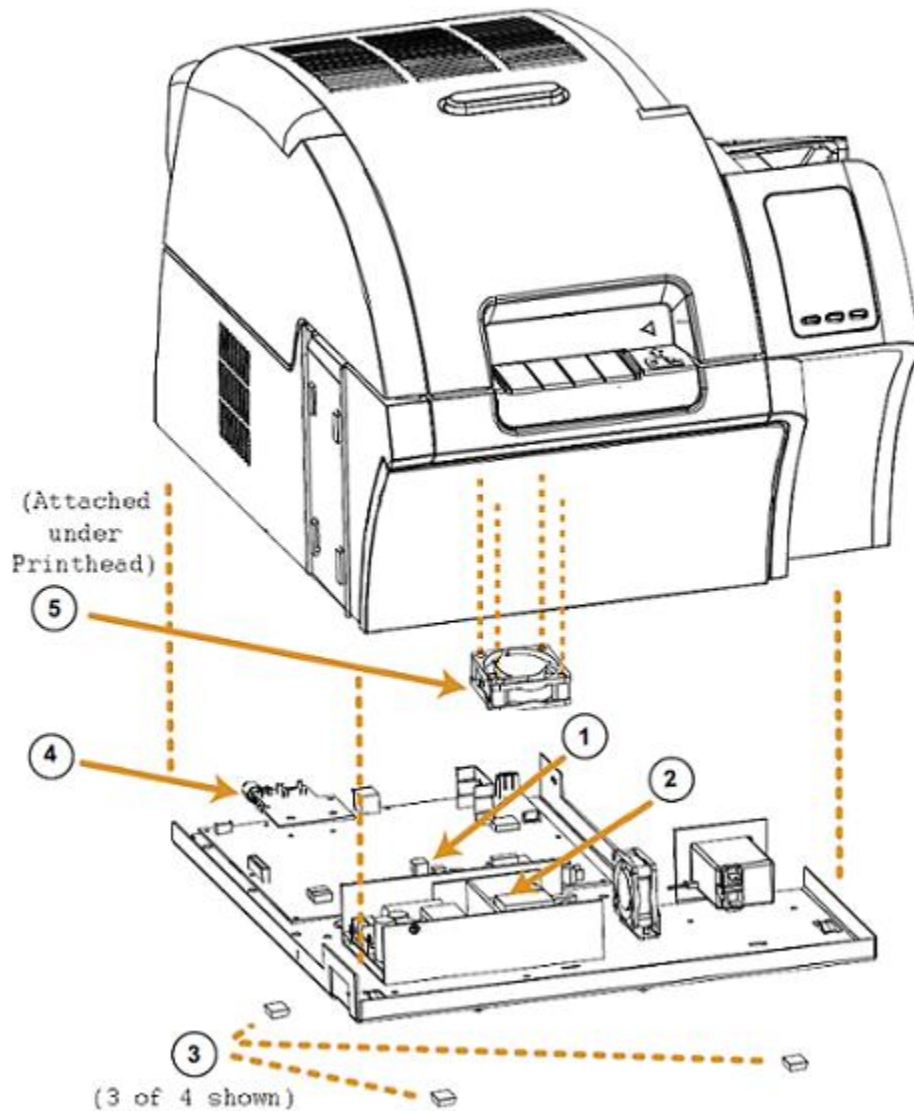
Item Number	Description	Part Number	Kit Quantity
1	Kit Gap Sensor with cable INTM Take Up ZXP8	105936G-018	2
2	Kit Media Authentication Coupler PCBA ZXP8	105936G-028	1
3	Kit Transfer Output and Belt ZXP8	105936G-004	1
4	Kit Media Authentication PCBA ZXP8	105936G-027	1
5	Kit Printhead Lift Motor ZXP8	105936G-011	1
Not Shown	Kit All Drive Belts ZXP8	105936G-076	1



Item Number	Description	Part Number	Kit Quantity
1	Kit Printhead Lift Motor ZXP8	105936G-011	1
2	Kit Ribbon Take Up Sensor ZXP8	105936G-030	1
3	Kit Door Switch ZXP8	105936G-026	1
4	Kit EMI Line Filter ZXP8	105936G-020	1
5	Kit Printhead Fan ZXP8	105936G-022	1
6	Kit Gap Sensor with cable ZXP8	105936G-018	2
7	Kit Pulley 48T ZXP8	105936G-075	1



Item Number	Description	Part Number	Kit Quantity
1	Kit Flash Blower ZXP8	105936G-007	1
2	Kit Flash Blower Filter ZXP8	105936G-008	5
3	Kit Halogen Lamp Control PCBA ZXP8	105936G-025	1
4	Kit Rear Cooling Fan ZXP8	105936G-023	1
5	Kit Entire Blower Assembly (includes blower and filter) ZXP8	105936G-064	1



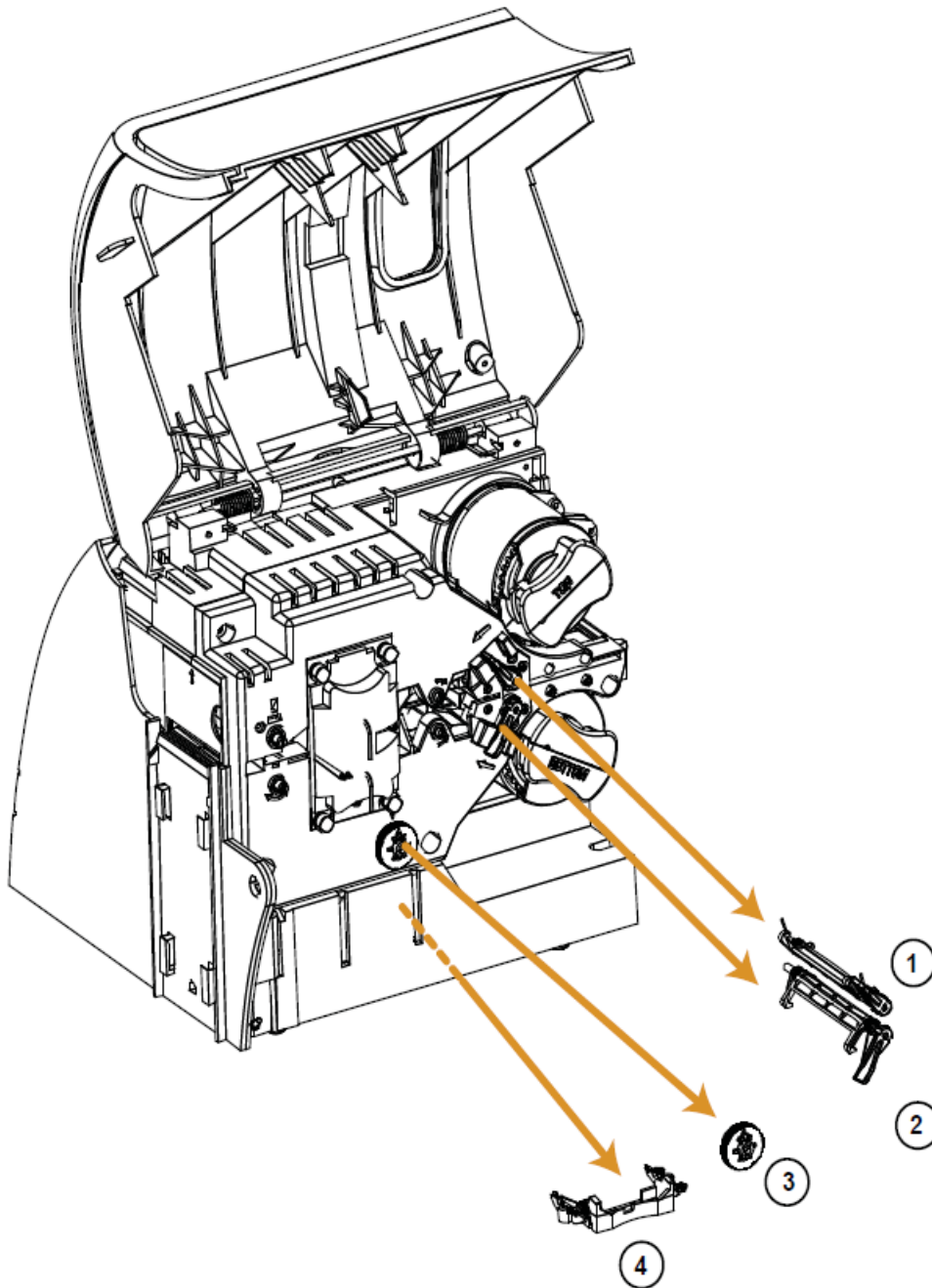
Item Number	Description	Part Number	Kit Quantity
1	Kit Main PCBA Standard ZXP8	105936G-019	1
	Kit Main PCBA China for Printer Part Number Z8x-xxxxxxx CN xx	105936G-019CN02	1
	Kit Main PCBA Mexico for Printer Part Number Z8x-xxxxxxx MX xx	105936G-019MX01	1
	Kit Main PCBA Philippines for Printer Part Number Z8x-xxxxxxx PH xx	105936G-019PH01	1
	Kit Main PCBA Thailand for Printer Part Number Z8x-xxxxxxx TH xx	105936G-019TH00	1
2	Kit Power Supply ZXP8	105936G-021	1
3	Kit Feet for Printer ZXP8	105936G-013	12
4	Kit Ethernet PCBA ZXP8	105936G-055	1
5	Kit Printhead Fan ZXP8	105936G-022	1
Not Shown	Kit Replacement Antenna ZXP8	105936G-070	1

Enclosure Kits

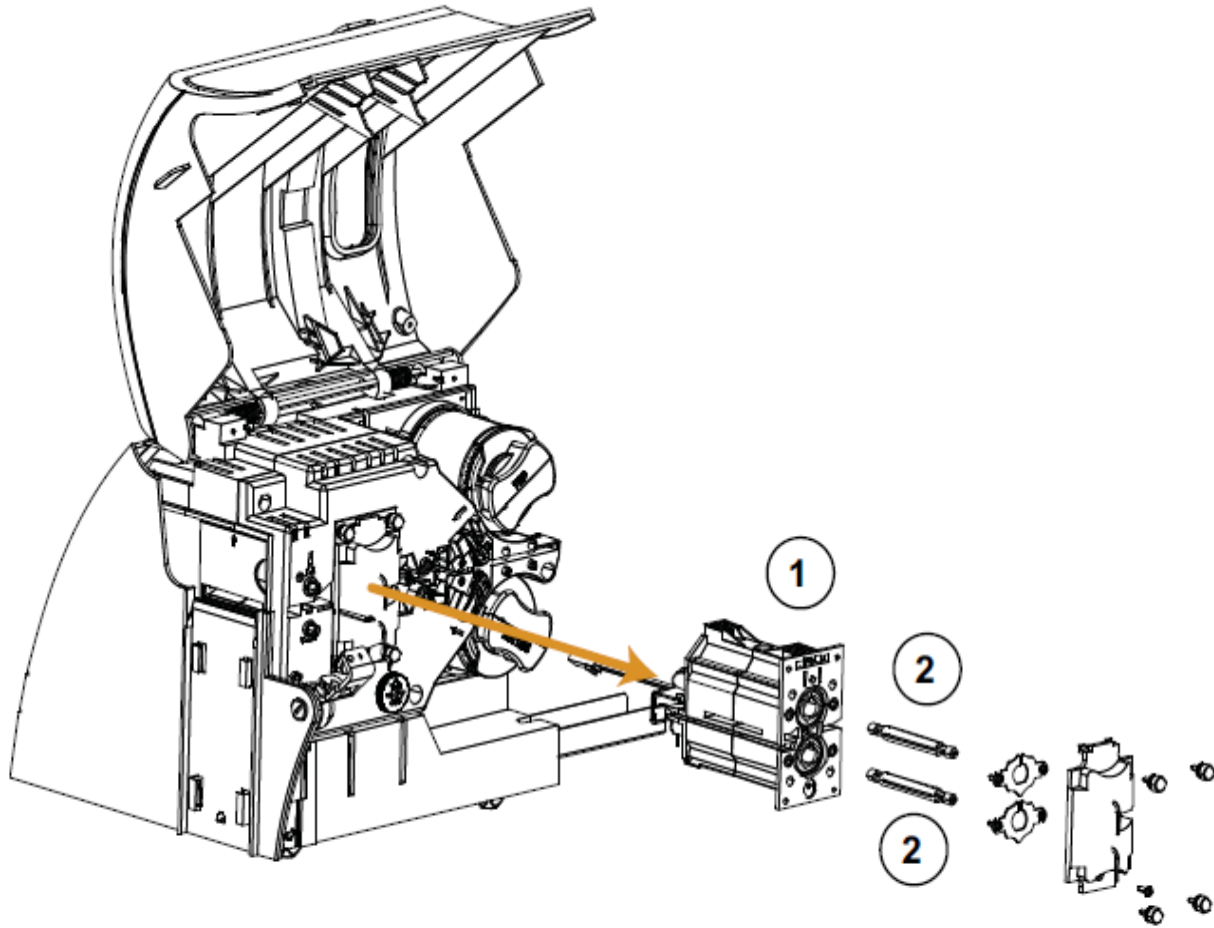
Item Number	Description	Part Number	Kit Quantity
Not Shown	Kit Upper Enclosure Covers ZXP8	105936G-065	1
Not Shown	Kit Front Enclosure with Color Panel ZXP8	105936G-071	1
Not Shown	Kit Lower Side Enclosures ZXP8	105936G-072	1
Not Shown	Kit Laminator Door and Side Panel ZXP8	105936G-542	1
Not Shown	Kit Side Panels for Printer with Laminator ZXP8	105936G-543	1

Upgrade Kits

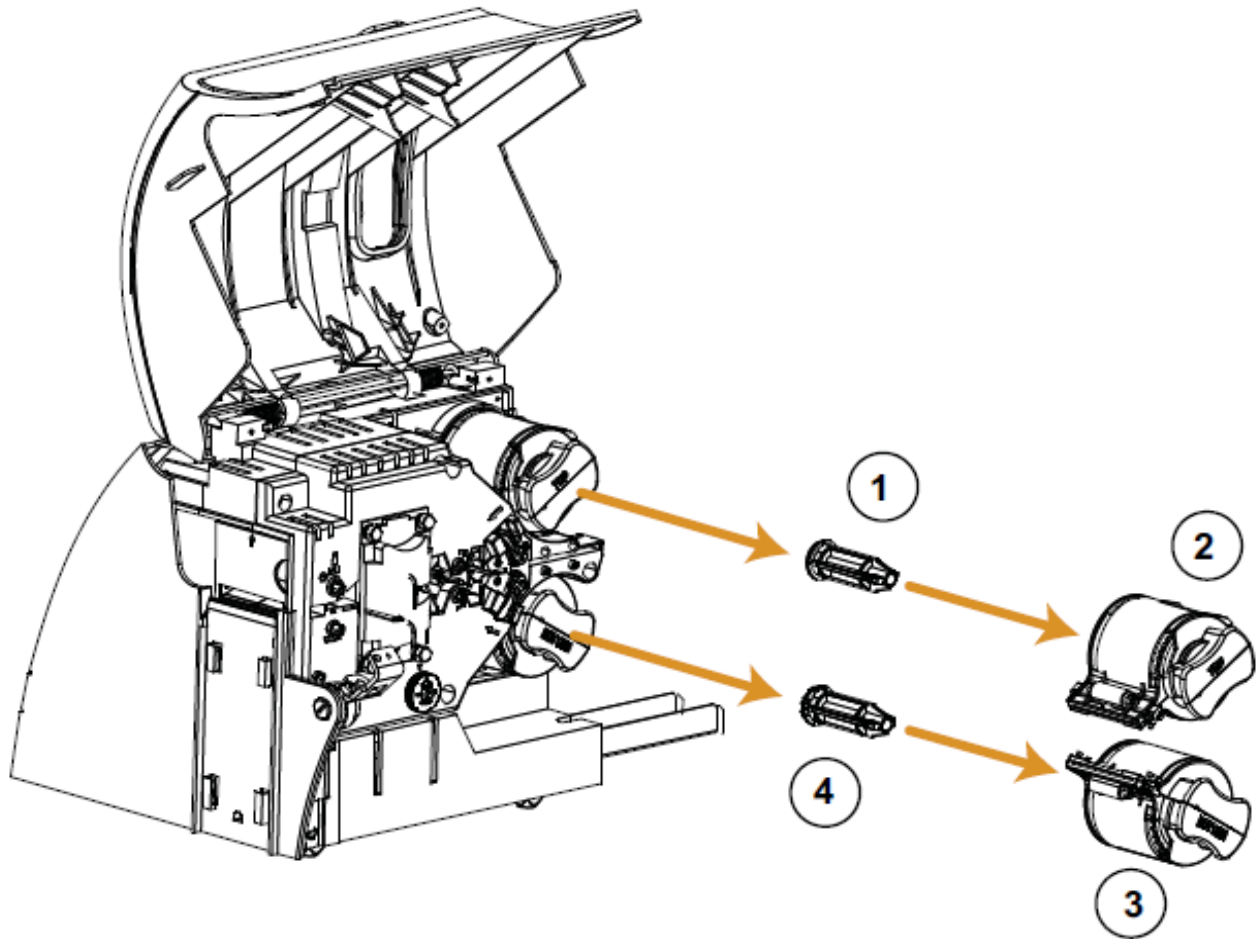
Item Number	Description	Part Number	Kit Quantity
Not Shown	Kit Upgrade Contact Encoder and MIFARE ZXP8	105936G-060	1
Not Shown	Kit Upgrade Printer Lock (Use to add a lock to an existing printer without a lock) ZXP8	105936G-053	1
Not Shown	Kit Upgrade Wireless USA ZXP8	105936G-066	1
Not Shown	Kit Upgrade Wireless EMEA ZXP8	105936G-067	1
Not Shown	Kit Upgrade Wireless Japan ZXP8	105936G-068	1
Not Shown	Kit Upgrade Wireless Australia ZXP8	105936G-069	1
Not Shown	Kit Upgrade Felica Encoder ZXP8	105936G-073	1
Not Shown	Kit Upgrade Laminator Lock (Use to add a lock to an existing laminator without a lock) ZXP8	105936G-535	1
Not Shown	Kit Upgrade Single Sided Laminator ZXP8	105936G-540	1
Not Shown	Kit Upgrade Dual Sided Laminator ZXP8	105936G-541	1



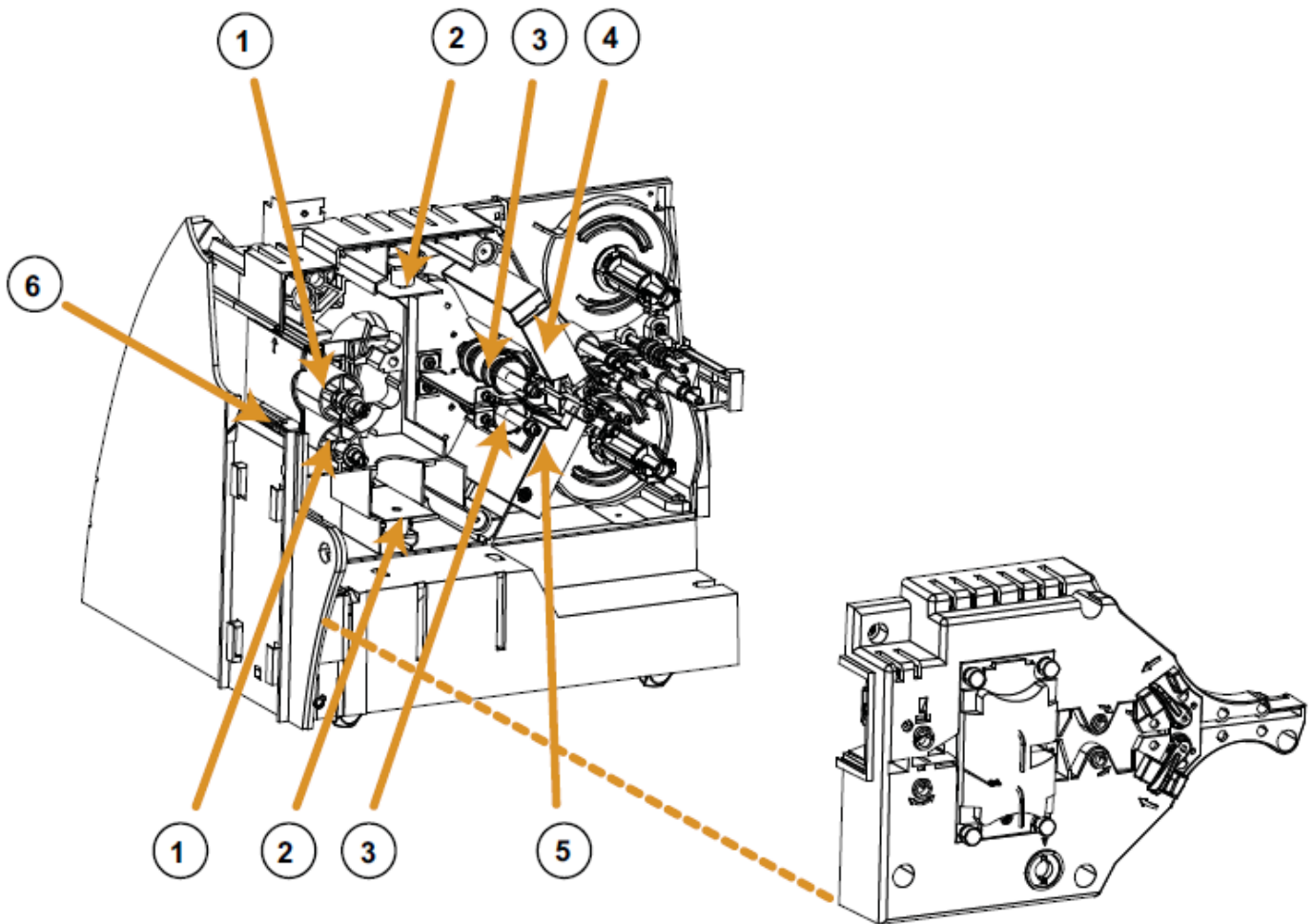
Item Number	Description	Part Number	Kit Quantity
1	Kit Latch for Upper Laminator Cassette ZXP8	105936G-505	1
2	Kit Latch for Lower Laminator Cassette ZXP8	105936G-506	1
3	Kit Thumb Drive Wheel ZXP8	105936G-507	1
4	Kit Laminator Door Latch ZXP8	105936G-529	1
Not Shown	Kit Replacement Lock Laminator (Use to replace existing Lock) ZXP8	105936G-502	1



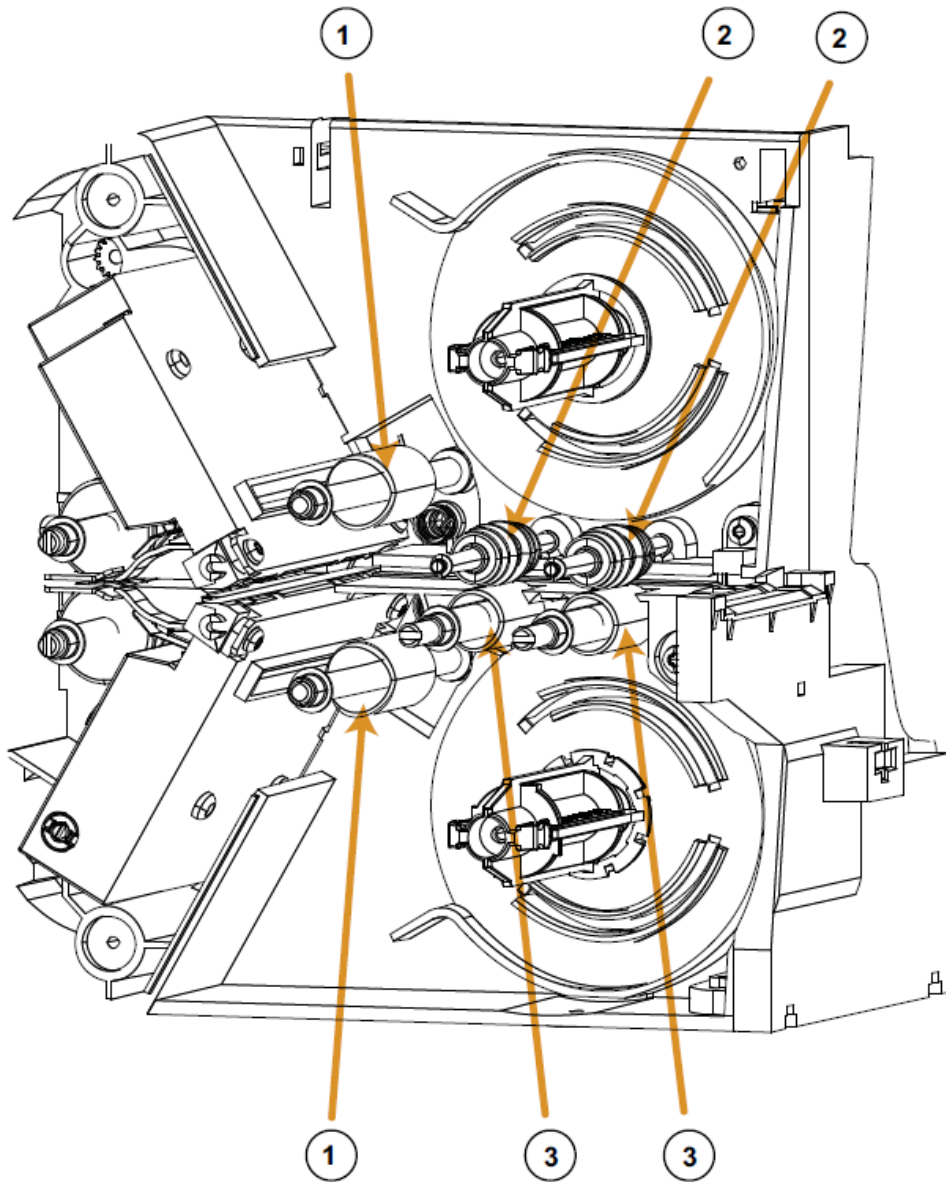
Item Number	Description	Part Number	Kit Quantity
1	Kit Heater Assembly ZXP8	105936G-551	1
2	Kit Halogen Bulbs for Heater (Qty of 2) ZXP8	105936G-549	2



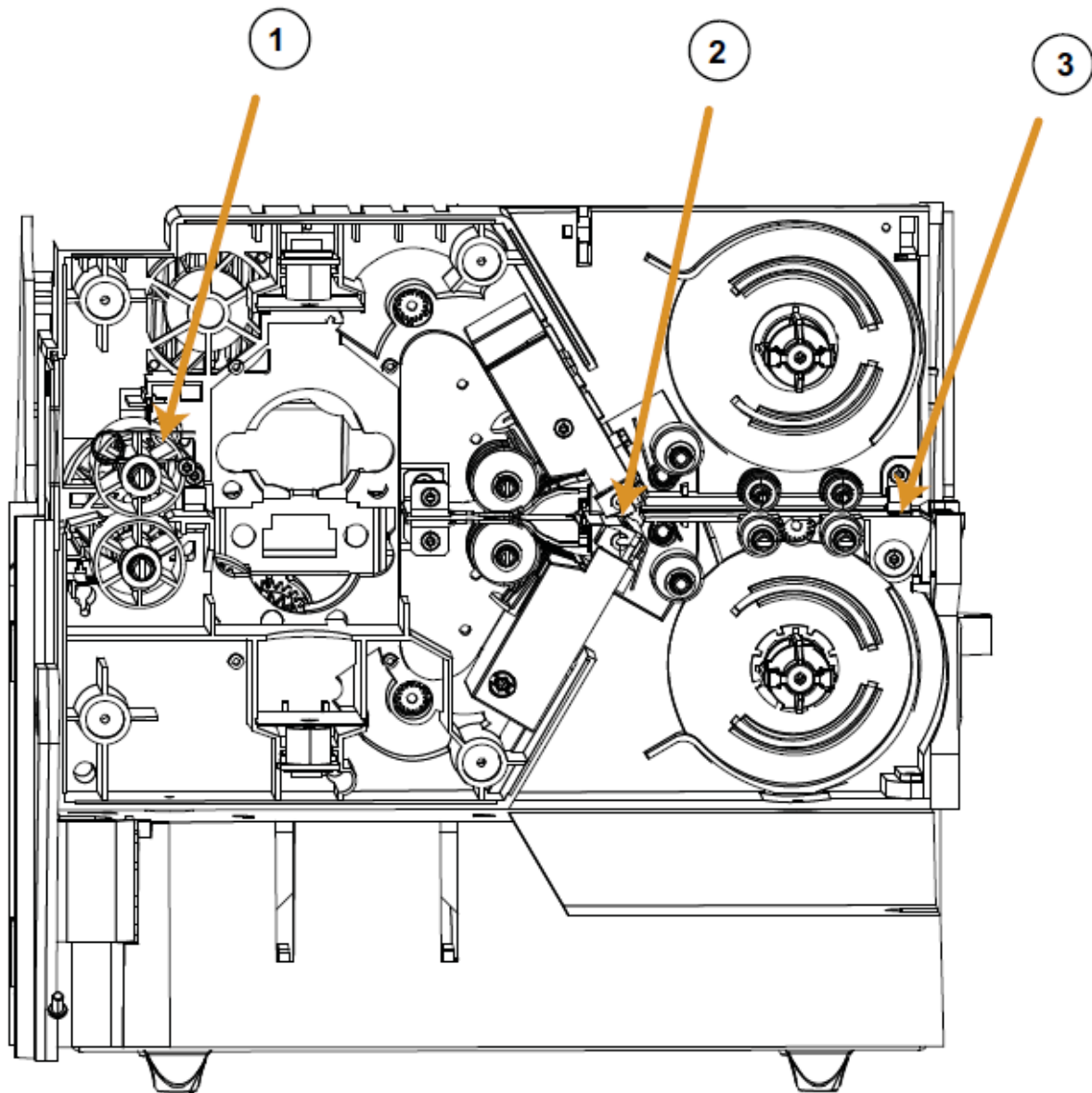
Item Number	Description	Part Number	Kit Quantity
1	Kit Spindle for Upper Cassette ZXP8	105936G-527	1
2	Kit Upper Cassette ZXP8	105936G-546	1
3	Kit Lower Cassette ZXP8	105936G-547	1
4	Kit Spindle for Lower Cassette ZXP8	105936G-528	1



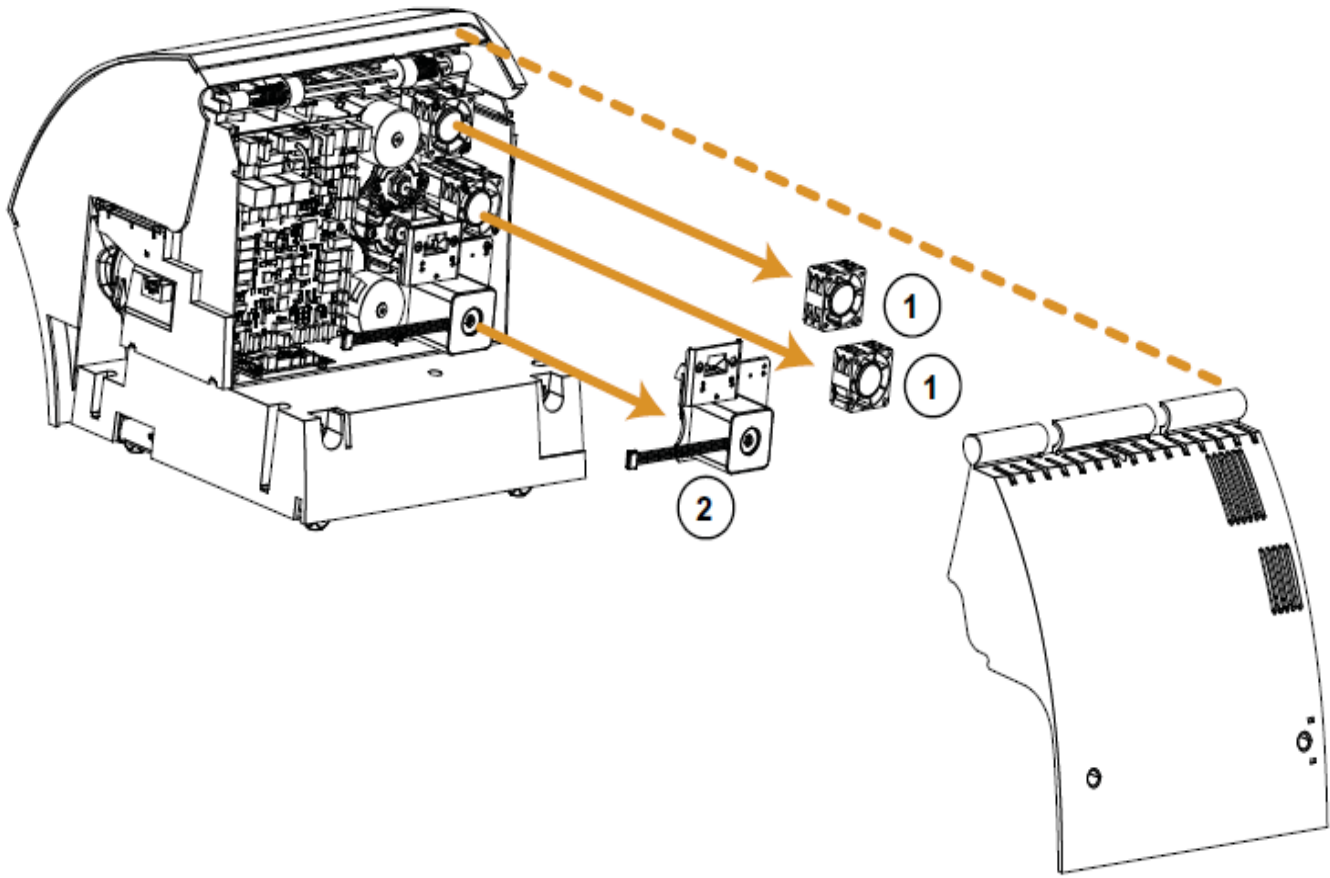
Item Number	Description	Part Number	Kit Quantity
1	Kit Exit Roller Assembly ZXP8	105936G-526	1
2	Kit Thermopile Module (Same module for upper and lower) ZXP8	105936G-518	1
Not Shown	Kit Upper Cable for Thermopile Module ZXP8	105936G-530	1
Not Shown	Kit Lower Cable for Thermopile Module ZXP8	105936G-531	1
3	Kit Laminate Roller ZXP8	105936G-523	1
4	Kit Upper Cutter Assembly ZXP8	105936G-522	1
5	Kit Lower Cutter Assembly ZXP8	105936G-508	1
6	Kit Static Brush (60mm) ZXP8	105936G-515	1



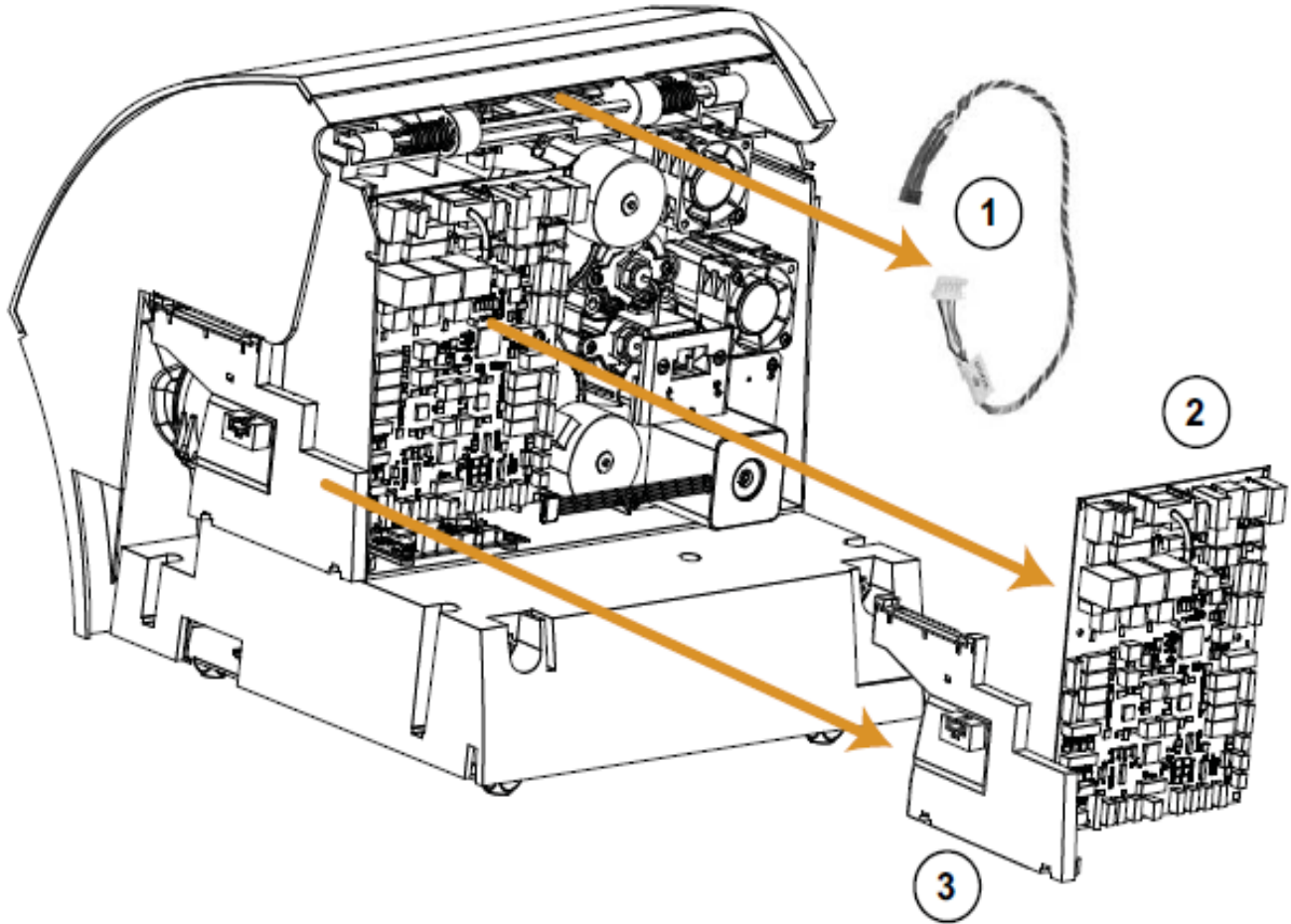
Item Number	Description	Part Number	Kit Quantity
1	Kit Platen Overrun ZXP8	105936G-525	1
2	Kit Flexible Ribbed Roller ZXP8	105936G-521	1
3	Kit Card Staging Nip Roller ZXP8	105936G-524	1



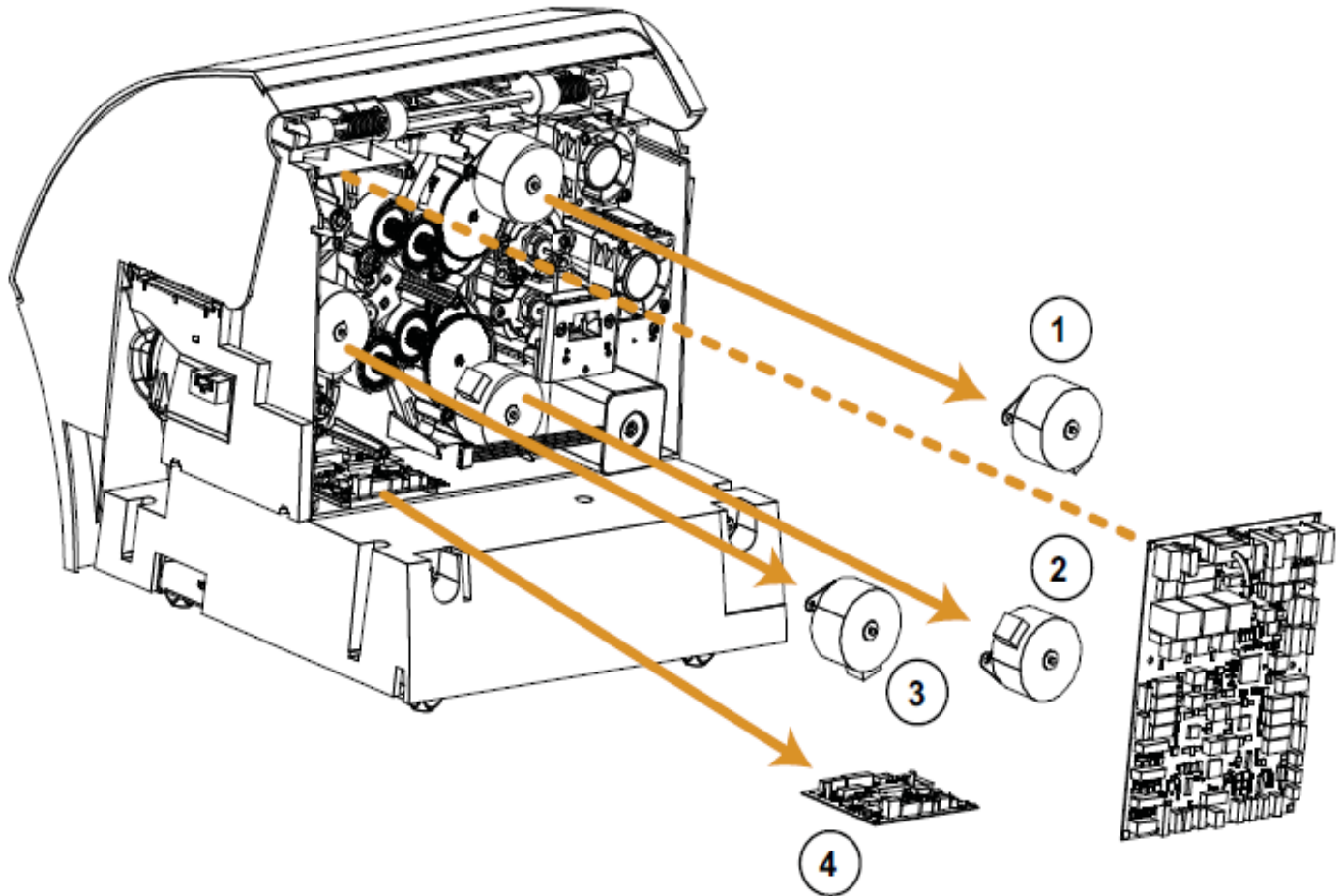
Item Number	Description	Part Number	Kit Quantity
1	Kit Card Exit Sensor ZXP8	105936G-534	1
2	Kit Card Laminate Sensor ZXP8	105936G-533	1
3	Kit Card Entry Sensor ZXP8	105936G-532	1



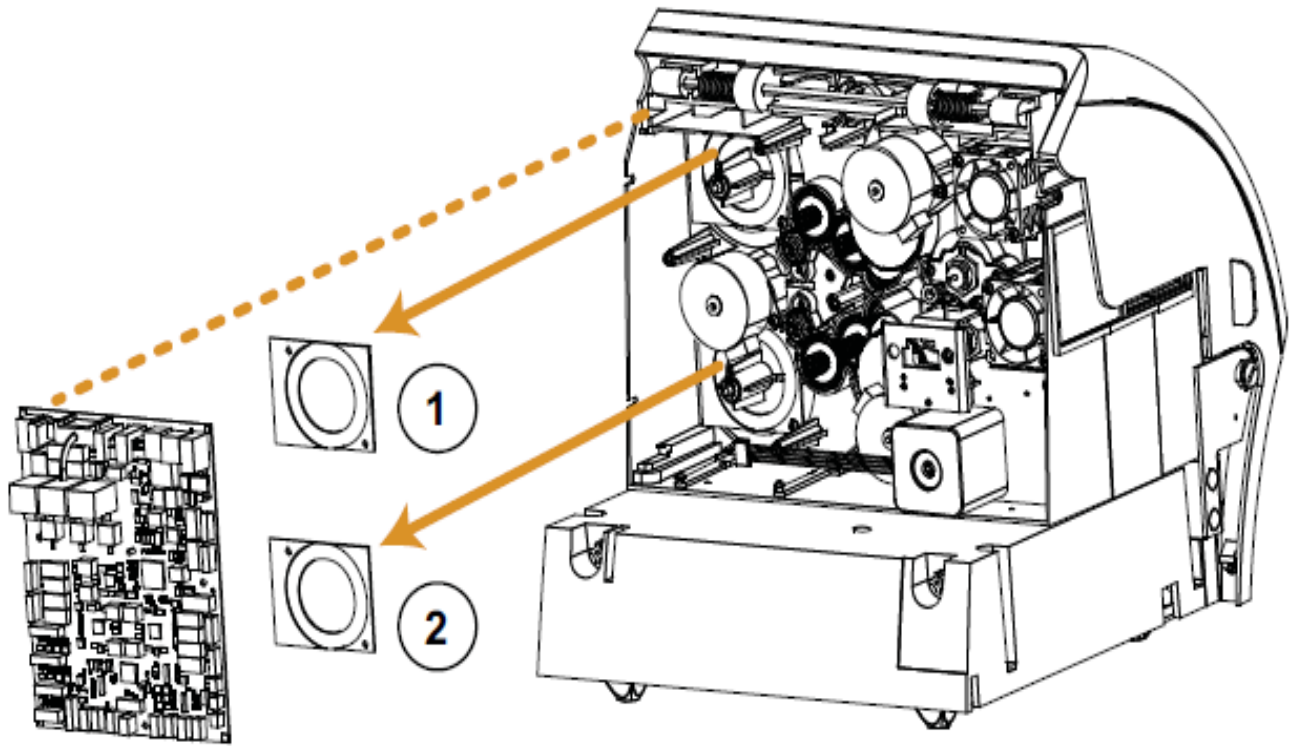
Item Number	Description	Part Number	Kit Quantity
1	Kit Fan Assembly ZXP8	105936G-503	1
2	Kit Motor Assembly ZXP8	105936G-511	1



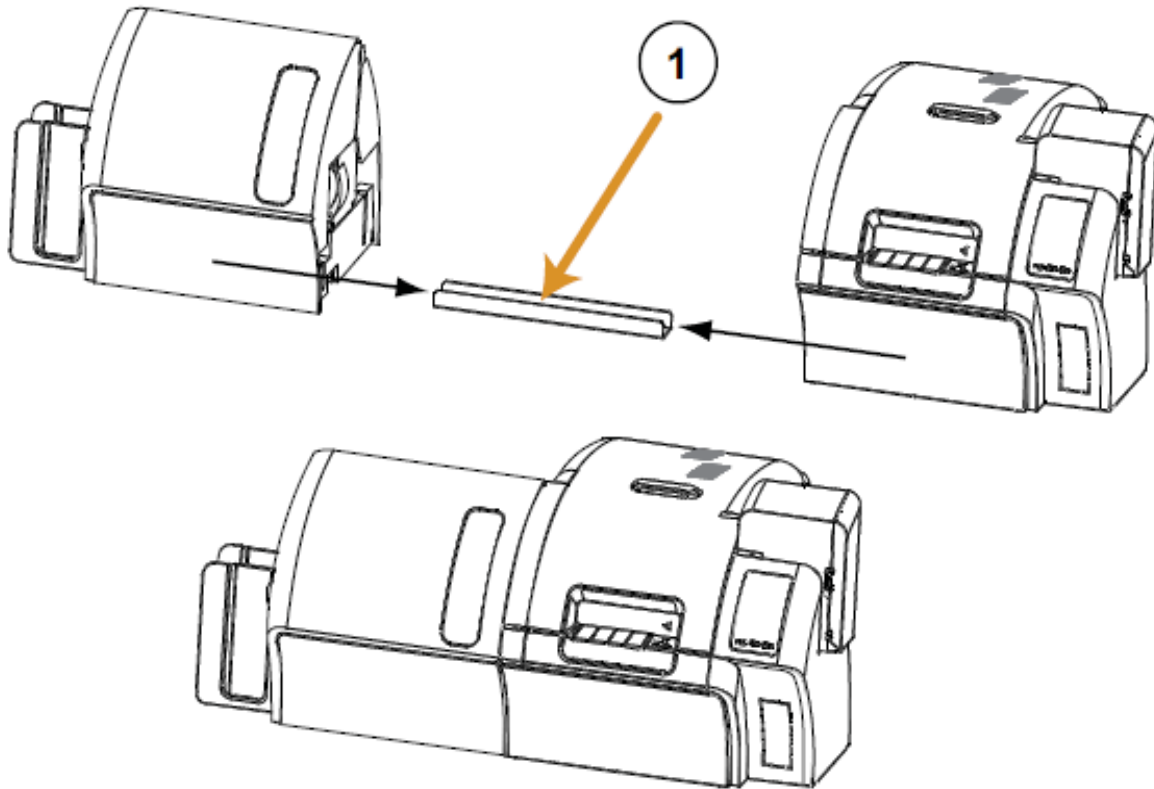
Item Number	Description	Part Number	Kit Quantity
1	Kit Laminator Door Sensor ZXP8	105936G-537	1
2	Kit Laminator Main Controller PCBA ZXP8	105936G-510	1
3	Kit Cruciform Assembly ZXP8	105936G-501	1



Item Number	Description	Part Number	Kit Quantity
1	Kit Upper Laminator Control Motor ZXP8	105936G-512	1
2	Kit Lower Laminator Control Motor ZXP8	105936G-513	1
3	Kit Staging Motor ZXP8	105936G-514	1
4	Kit Media Authentication PCBA ZXP8	105936G-520	1



Item Number	Description	Part Number	Kit Quantity
1	Kit Upper Antenna PCBA for Media Authentication ZXP8	105936G-504	1
2	Kit Lower Antenna PCBA for Media Authentication ZXP8	105936G-536	1



Item Number	Description	Part Number	Kit Quantity
1	Kit Beam for Laminator ZXP8	105936G-500	1

ZXP8 Printer and Laminator Packaging

Item Number	Description	Part Number	Kit Quantity
Not Shown	Kit Packaging for Printer Only ZXP8	105936G-338	1
Not Shown	Kit Packaging for Laminator Only ZXP8	105936G-538	1
Not Shown	Kit Packaging for Printer and Laminator (for printer with attached Laminator) ZXP8	105936G-739	1

1



2



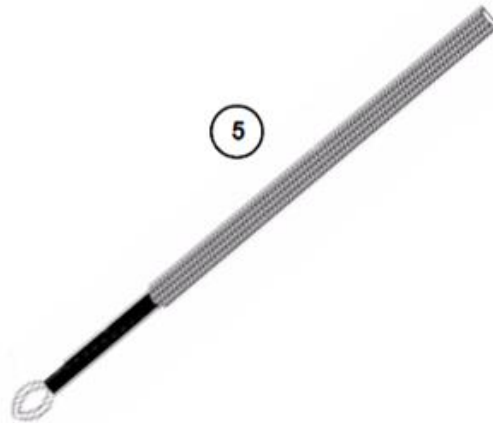
3



4



5



ZXP8 Tools

Item Number	Description	Part Number	Kit Quantity
1	Kit Torque Adjustment ZXP8	105936-046	1
2	Kit INTM Payout ZXP8	105936-047	1
3	Kit INTM Takeup ZXP8	105936-048	1
4	Kit PCBA Removal ZXP8	105936-056	1
5	Kit Cable Routing ZXP8	105936-057	1
Not Shown	Master Kit (contains all five kits above) ZXP8	105936-058	1