



---

# DP-771

## PARTS LIST

Published in July 2011

3NWPL071

843NW121

Rev.1

———— CONTENTS ————

FIG. 1	Covers .....	2
FIG. 2	Frames .....	4
FIG. 3	Table Assy .....	6
FIG. 4	Paper Conveying Section .....	8
FIG. 5	Paper Feed Section 1 .....	10
FIG. 6	Paper Feed Section 2 .....	12
FIG. 7	Drive Section & Electrical Components .....	14
FIG. 8	Accessories .....	16
	• INDEX .....	18

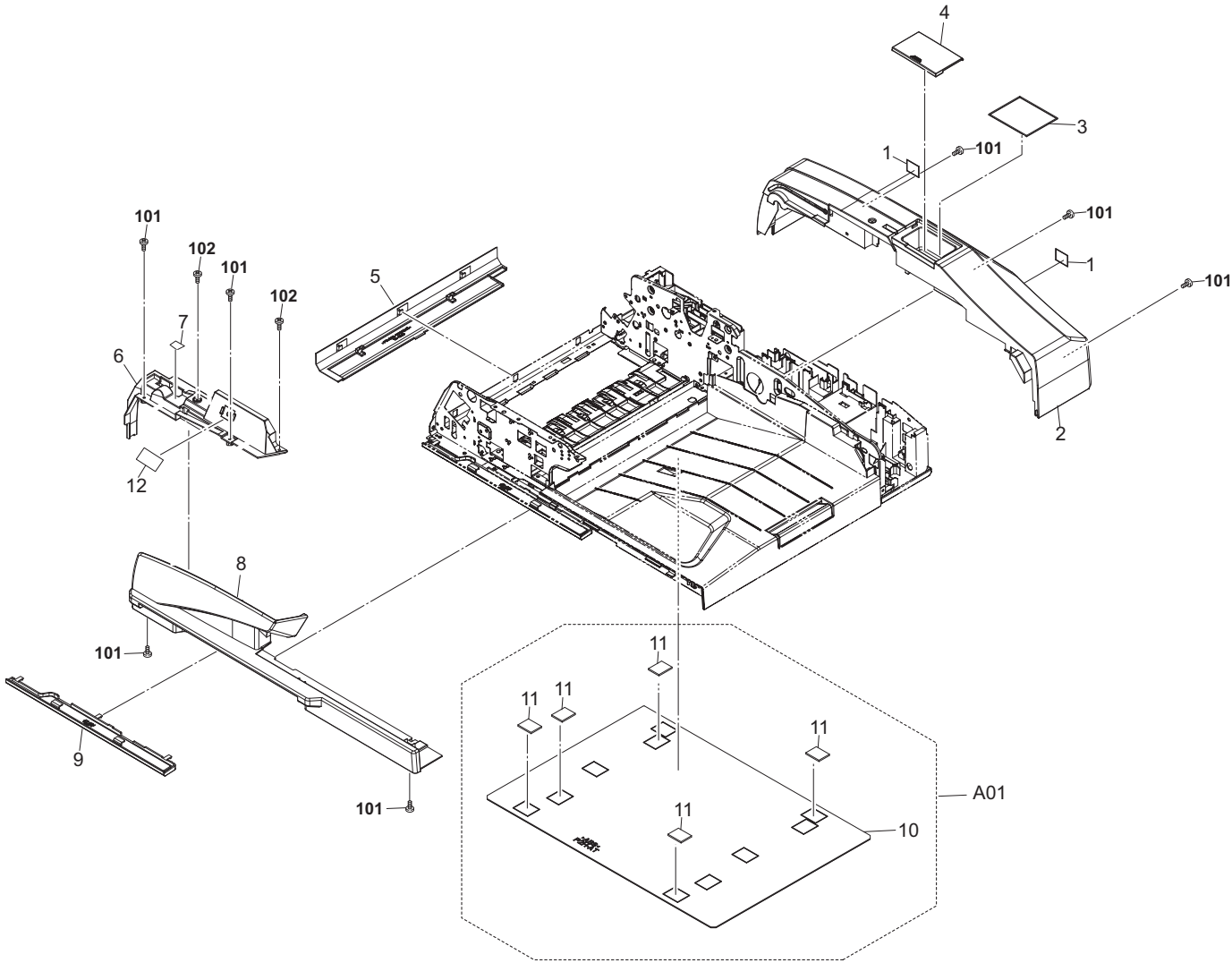


FIG. 1 Covers

3NW-1

	Ref. No.	Part.No.	Alternative Part.No.	Description	Quantity		
					120	230	240
⊙	1	303M434080	3M434080	LABEL CAUTION B	2	2	2
	2	303NW04041	3NW04041	COVER REAR	1	1	1
	3	303H604090	3H604090	CLOTH CLEANING	1	1	1
	4	303NW04060	3NW04060	LID REAR COVER	1	1	1
	5	303M404050	3M404050	COVER LEFT	1	1	1
	6	303M404060	3M404060	COVER INNER	1	1	1
	7	303M434040	3M434040	LABEL C	1	1	1
	8	303NW04031	3NW04031	COVER FRONT	1	1	1
	9	303NW04050	3NW04050	HANDLE FRONT COVER	1	1	1
	A01	303LL94031	3LL94031	PARTS MAT ASSY	1	1	1
	10	•303JC04200	3JC04200	PLATE ORIGINAL	1	1	1
	11	•303MX02021	3MX02021	CUSHION ORIGINAL MAT A	5	5	5
12	303M404090	3M404090	FILM LED	1	1	1	
101	7BB282308H	BB111240	+TP-FLAT T.T P SCREW 3X8(BLACK)				
102	7BB780308H	BB111200	+BIND T.T S SCREW 3X8 SR(BLACK)				

Parts with "•" are component parts or sub-assemblies of the assembly appearing immediately above them.

Parts with "⊙" indicate regular maintenance parts.

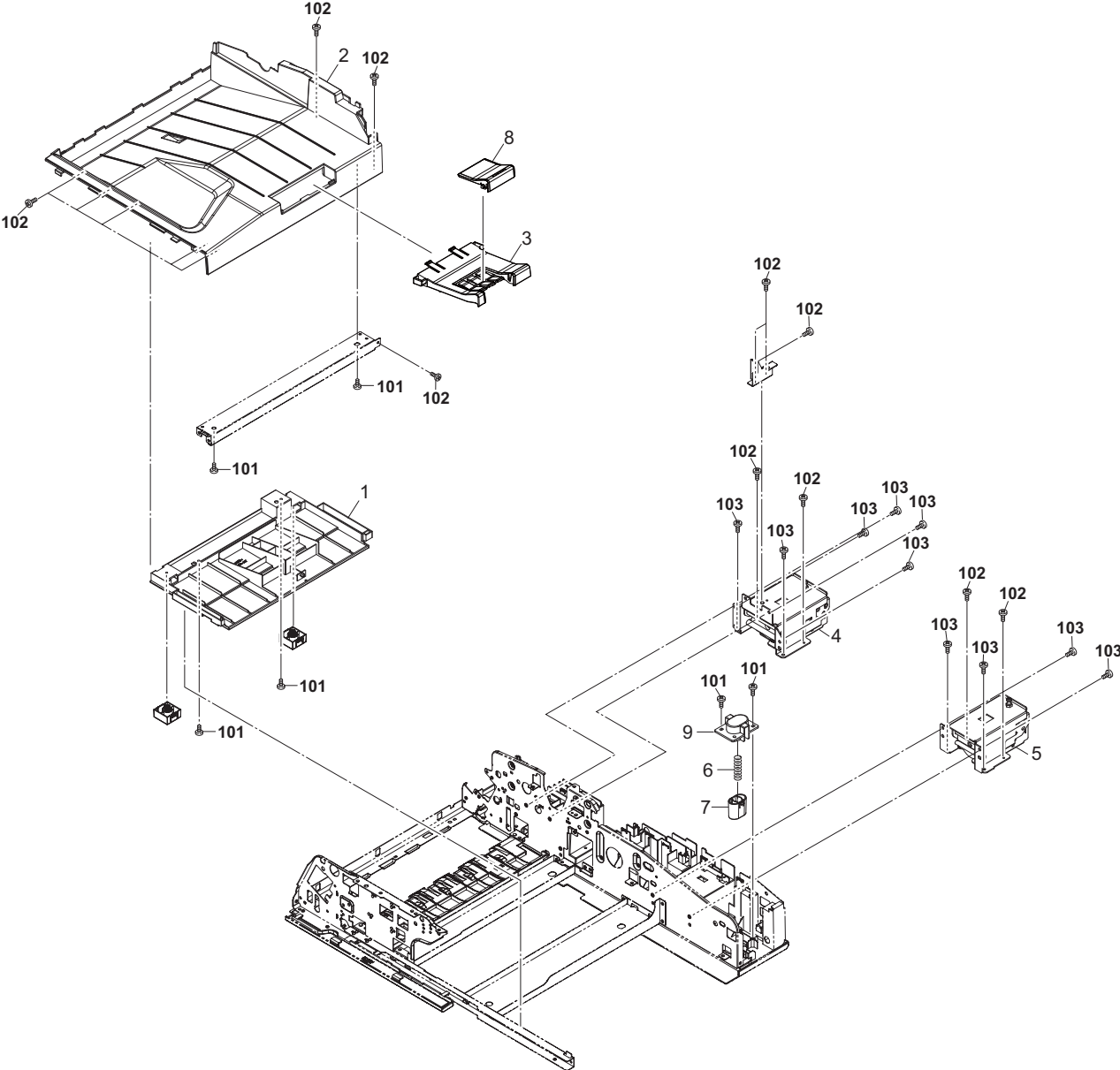


FIG. 2 Frames

3NW-1

	Ref. No.	Part.No.	Alternative Part.No.	Description	Quantity		
					120	230	240
⊙	1	303M404100	3M404100	COVER BOTTOM RIGHT	1	1	1
	2	303M404040	3M404040	TRAY EJECT	1	1	1
	3	303M404121	3M404121	TRAY SLIDE	1	1	1
	4	303M402021	3M402021	HINGE LEFT	1	1	1
	5	303M402031	3M402031	HINGE RIGHT	1	1	1
	6	303JX02090	3JX02090	SPRING PUSH SW	1	1	1
	7	303LL02390	3LL02390	PUSH SW	1	1	1
	8	303M404170	3M404170	STOPPER EJECT	1	1	1
	9	303LL02150	3LL02150	HOLDER SPRING PUSH SW	1	1	1
	101	7BB200308H	BB105660	+BIND T.T P SCREW 3X8			
	102	7BB700308H	BB105600	+BIND T.T S SCREW 3X8 SR			
	103	7BB700408H	BB105640	+BIND T.T S SCREW 4X8 SR			

Parts with "•" are component parts or sub-assemblies of the assembly appearing immediately above them.

Parts with "⊙" indicate regular maintenance parts.

FIG. 3 Table Assy

3NW-1

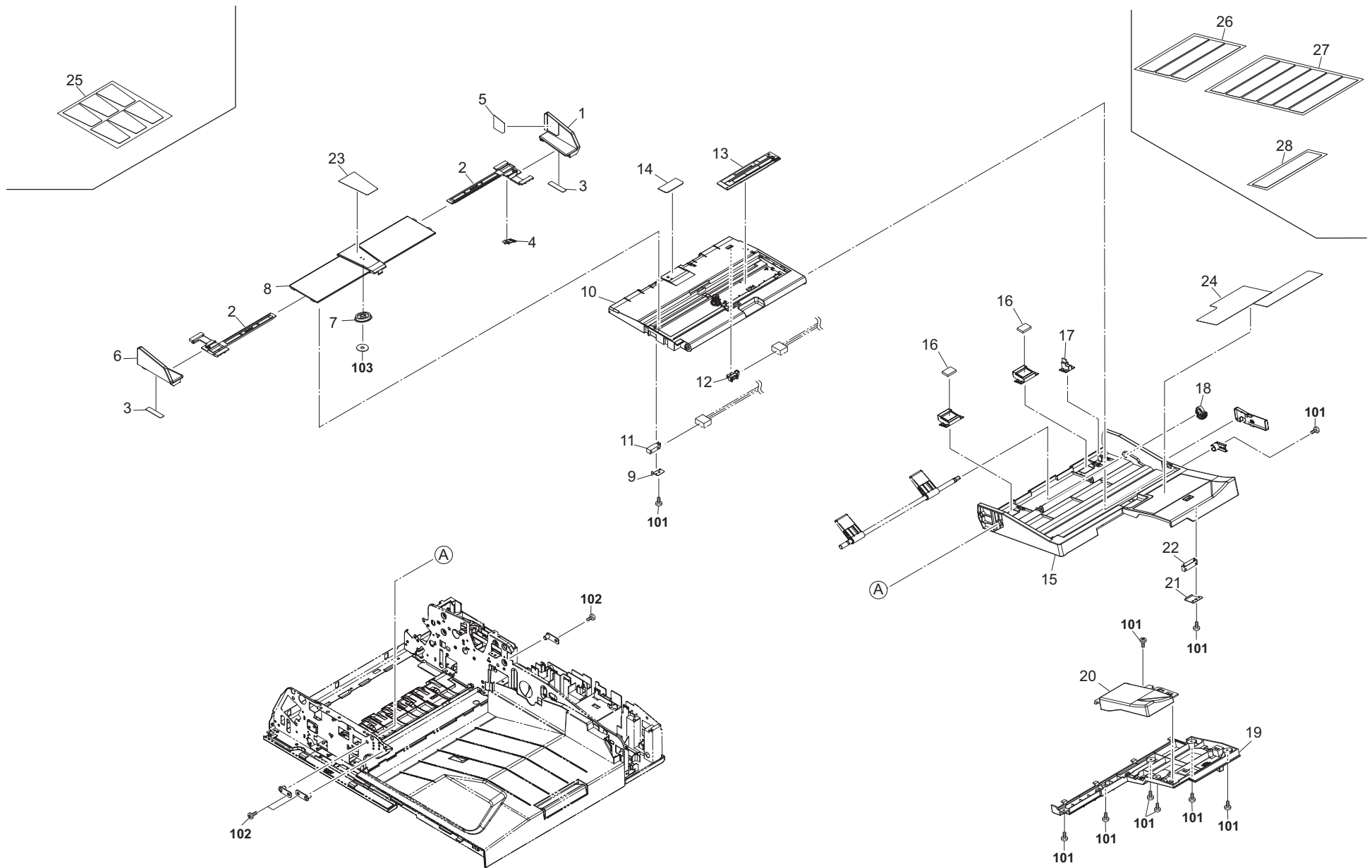


FIG. 3 Table Assy

3NW-1

	Ref. No.	Part.No.	Alternative Part.No.	Description	Quantity		
					120	230	240
	1	303M406020	3M406020	CURSOR REAR	1	1	1
	2	303M406030	3M406030	RACK TABLE	2	2	2
	3	3HL06090	3HL06090	CUSHION CURSOR	2	2	2
	4	3HL06110	3HL06110	TERMINAL PAPER SIZE	1	1	1
	5	303NW34010	3NW34010	LABEL ORIGINAL MAX	1	1	1
	6	303M406010	3M406010	CURSOR FRONT	1	1	1
	7	303JX06070	3JX06070	PINION GEAR	1	1	1
	8	303M406040	3M406040	COVER CURSOR	1	1	1
⊙	9	303JX06090	3JX06090	SENSOR EARTH	1	1	1
	10	303M406090	3M406090	TABLE LIFT	1	1	1
⊙	11	303NW94060	3NW94060	PARTS SENSOR OPT. SP	1	1	1
⊙	12	7NXSG2A141++H01	NX120700	SENSOR OPT.	1	1	1
⊙	13	303M894270	3M894270	PARTS PWB SIZE DETECTION ASSY SP	1	1	1
	14	3A707290	3A707290	PAD,LIFT	1	1	1
	15	303M406100	3M406100	BASE TABLE	1	1	1
	16	303M406140	3M406140	SPONGE LIFT	2	2	2
	17	303NW06010	3NW06010	ACTUATOR LIFT	1	1	1
⊙	18	303M406070	3M406070	GEAR LIFT Z30	1	1	1
	19	303M406110	3M406110	COVER TABLE	1	1	1
	20	303M406120	3M406120	SUB TABLE	1	1	1
	21	303LL06090	3LL06090	MOUNT ORIGINAL SENSOR	1	1	1
⊙	22	303NW94050	3NW94050	PARTS SENSOR OPT. SP	1	1	1
	23	303M434100	3M434100	LABEL FACE UP EN	1	1	1
	24	303M434020	3M434020	LABEL CAUTION IN	1		
	24	303M434030	3M434030	LABEL CAUTION ME		1	1
	25	303M434130	3M434130	LABEL FACE UP SET	1	1	
	25	303M434160	3M434160	LABEL FACE UP KTST			1
	26	303M434110	3M434110	LABEL CAUTION SET IN	1		
	27	303M434120	3M434120	LABEL CAUTION SET ME		1	
	28	303NW34020	3NW34020	LABEL CATION SET TW			1
	101	7BB200308H	BB105660	+BIND T.T P SCREW 3X8			
	102	7BB700308H	BB105600	+BIND T.T S SCREW 3X8 SR			
	103	7BC06062N050H01	BC125260	POLYSLIDER 6.2X22X0.5T			

Parts with "•" are component parts or sub-assemblies of the assembly appearing immediately above them.

Parts with "⊙" indicate regular maintenance parts.



FIG. 4 Paper Conveying Section

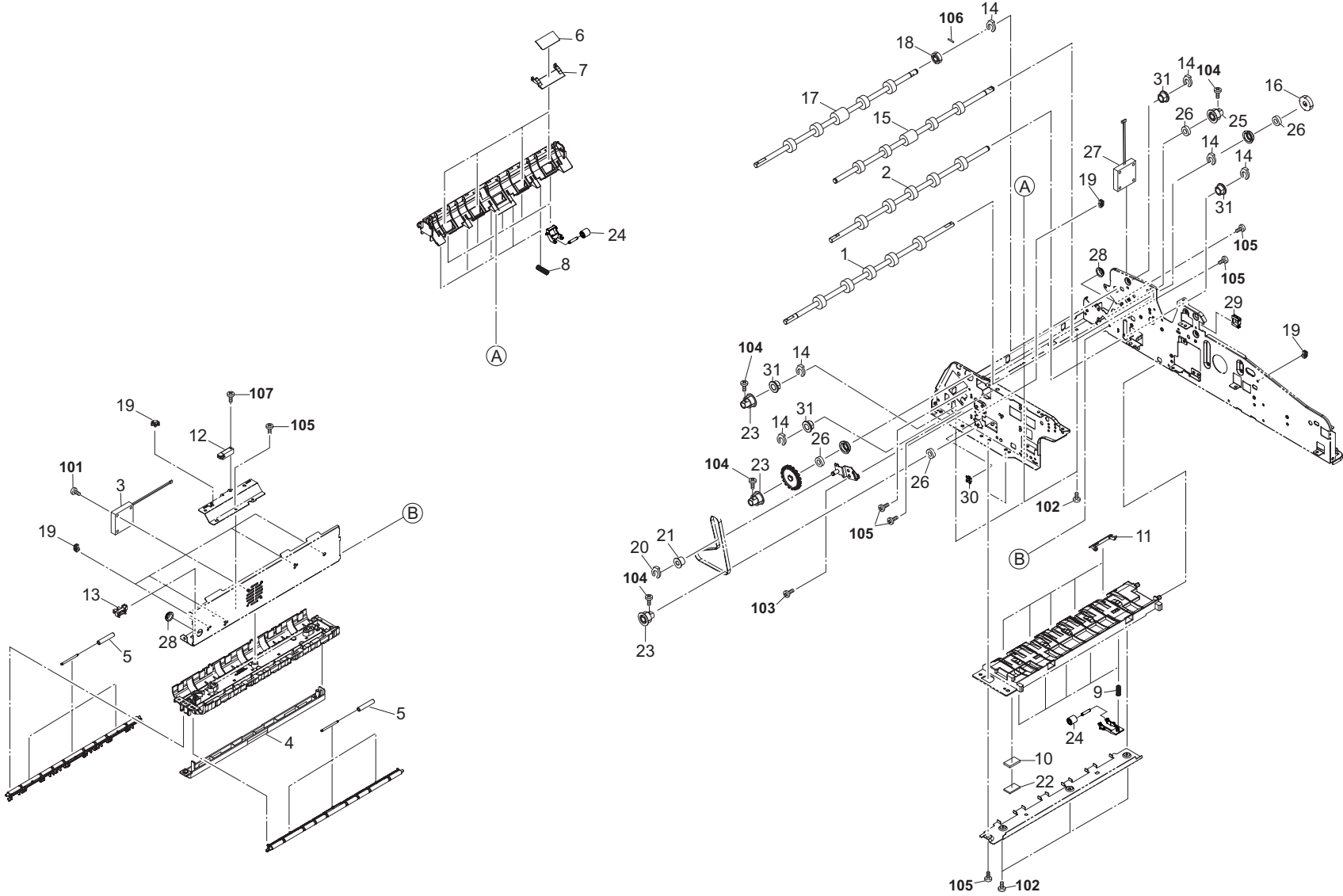


FIG. 4 Paper Conveying Section

3NW-1

	Ref. No.	Part.No.	Alternative Part.No.	Description	Quantity		
					120	230	240
⊙	1	303M494090	3M494090	PARTS ROLLER CONVEYING LEFT SP	1	1	1
⊙	2	303M494100	3M494100	PARTS ROLLER CONVEYING RIGHT SP	1	1	1
⊙	3	302H744090	2H744090	FAN COOLING CONV	1	1	1
	4	303M424250	3M424250	GUIDE READING	1	1	1
	5	303LL24190	3LL24190	PULLEY GUIDE READING	6	6	6
	6	303M424200	3M424200	SHEET LEFT READING	4	4	4
	7	303M424210	3M424210	GUIDE LEFT READING	4	4	4
	8	302H008140	2H008140	SPRING BYPASSFFED	5	5	5
	9	303NA06110	3NA06110	SPRING PICK UP	5	5	5
	10	303M802320	3M802320	SPONGE ORIGINAL MAT A	1	1	1
	11	303M824160	3M824160	GUIDE RIGHT READING	5	5	5
⊙	12	303NW94040	3NW94040	PARTS SENSOR OPT. SP	1	1	1
⊙	13	7NXSG2A141++H01	NX120700	SENSOR OPT.	1	1	1
	14	2BC06910	2BC06910	STOPPER 6	6	6	6
⊙	15	303M494070	3M494070	PARTS ROLLER REGISTRATION SP	1	1	1
⊙	16	303NW31010	3NW31010	GEAR Z30	1	1	1
⊙	17	303M494080	3M494080	PARTS ROLLER CONVEYING UPPER SP	1	1	1
⊙	18	303M431340	3M431340	GEAR 22 CIS IDLE	1	1	1
	19	7YZM610007++H01	YZ023340	ACCESS.SADDLE	7	7	7
	20	5MVX111DN003	2A806250	RING STOPPER/A-49 FEED A4	1	1	1
⊙	21	28801190	48928800	PULLEY,TIMING BELT	1	1	1
	22	303J902370	3J902370	CUSHION ORIGINAL MAT	1	1	1
⊙	23	303LL31330	3LL31330	PULLEY 38 CONVEYING	3	3	3
	24	303M824210	3M824210	PULLEY CONVEYING BK	10	10	10
	25	303NW31040	3NW31040	PULLEY 69 CONVEYING LOW	1	1	1
	26	7BE008165431H01	BE119730	BEARING 688ZZ	4	4	4
⊙	27	302H044120	2H044120	FAN COOLING 40-15	1	1	1
	28	7YZM110001++H01	YZ009420	ACCESS.BUSHING	2	2	2
	29	7YZM210005++H01	YZ037990	ACCESS.EDGING	1	1	1
	30	7YZM210006++H01	YZ038000	ACCESS.EDGING	1	1	1
⊙	31	28107310	49028101	BUSH 8	4	4	4
	101	7BB100316H1	BB107080	+BIND T.T S SCREW 3X16			
	102	7BB200308H	BB105660	+BIND T.T P SCREW 3X8			
	103	7BB606308H	BB105280	+PAN M SCREW WITH SW W 3X8 R			
	104	7BB607308H	BB112190	+TP-CUP M SCREW 3X8 R			
	105	7BB700308H	BB105600	+BIND T.T S SCREW 3X8 SR			
	106	5MBP2012WXSP	E0020120	SPRING PIN / M2 X 12 S-BLK			
	107	7BB100312H1	BB112480	+BIND T.T S SCREW 3X12			

Parts with "•" are component parts or sub-assemblies of the assembly appearing immediately above them.

Parts with "⊙" indicate regular maintenance parts.

FIG. 5 Paper Feed Section 1

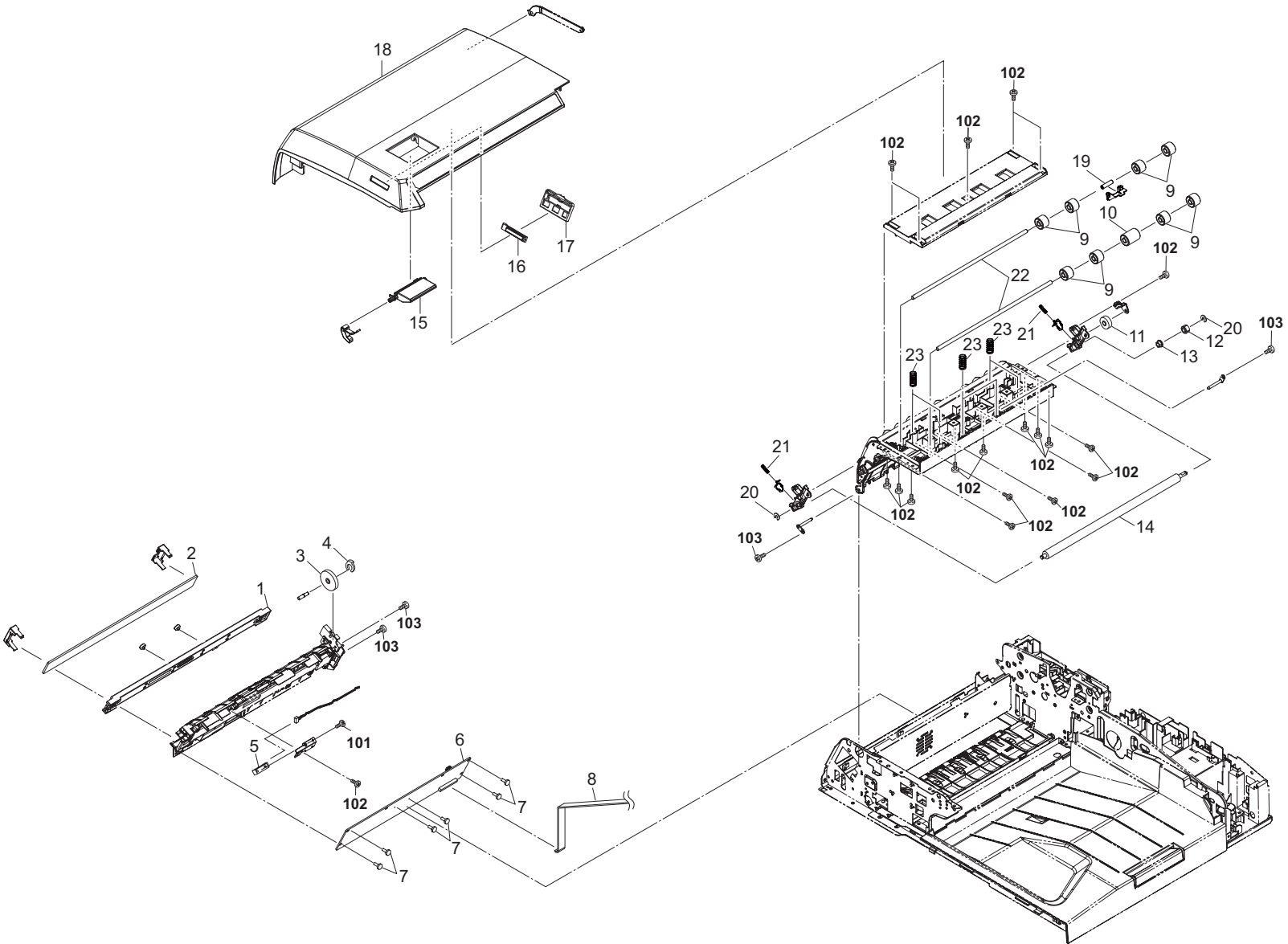


FIG. 5 Paper Feed Section 1

3NW-1

	Ref. No.	Part.No.	Alternative Part.No.	Description	Quantity		
					120	230	240
⊙	1	303M494050	3M494050	PARTS SENSOR A3 COLOR CIS(C) SP	1	1	1
	2	303NW24020	3NW24020	GLASS CIS	1	1	1
⊙	3	2BL06170	2BL06170	GEAR Z42 FEED	1	1	1
	4	5MVX111DN003	2A806250	RING STOPPER/A-49 FEED A4	1	1	1
⊙	5	303NW94040	3NW94040	PARTS SENSOR OPT. SP	1	1	1
⊙	6	303M494031	3M494031	PARTS PWB SHD(C) ASSY SP	1	1	1
	7	7YZM510019++H01	YZ123830	ACCESS.SPACER	6	6	6
	8	303M446020	3M446020	WIRE INTERFACE VIDEO	1	1	1
	9	303M424300	3M424300	PULLEY REGISTRATION BK	8	8	8
	10	303M424310	3M424310	PULLEY REG B BK	1	1	1
⊙	11	302FZ08370	2FZ08370	GEAR JOINT MPT UNIT	1	1	1
⊙	12	2CK17050	2CK17050	GEAR IDLE Z14S	1	1	1
	13	302K324450	2K324450	BUSH 6	1	1	1
⊙	14	303M494060	3M494060	PARTS ROLLER CIS SP	1	1	1
	15	303M404140	3M404140	HANDLE COVER PF	1	1	1
	16	303M407300	3M407300	LENS LED	1	1	1
	17	303M407400	3M407400	HOLDER LENS	1	1	1
⊙	18	303NW04013	3NW04013	COVER PF	1	1	1
	19	303M424400	3M424400	PULLY CIS ROLLER	1	1	1
	20	302FB09830	2FB09830	CUT WASHER 4	2	2	2
	21	303H316360	3H316360	SPRING CONVEYING	2	2	2
	22	303LL07130	3LL07130	SHAFT REGISTRATION PULLEY	2	2	2
	23	303LL07170	3LL07170	SPRING REGISTRATION	6	6	6
	101	7BB100312H1	BB112480	+BIND T.T S SCREW 3X12			
	102	7BB200308H	BB105660	+BIND T.T P SCREW 3X8			
	103	7BB700308H	BB105600	+BIND T.T S SCREW 3X8 SR			

Parts with "•" are component parts or sub-assemblies of the assembly appearing immediately above them.

Parts with "⊙" indicate regular maintenance parts.

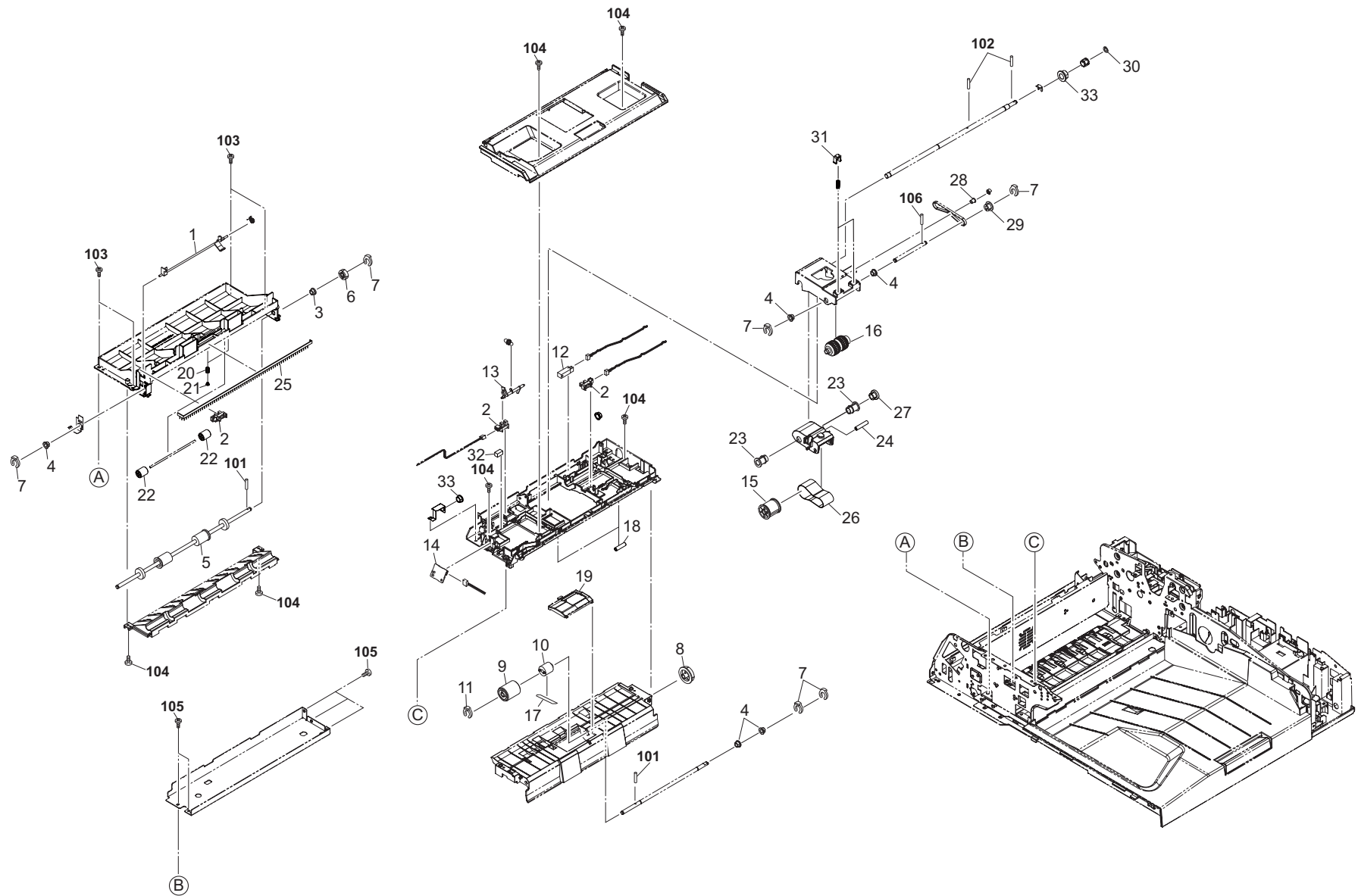


FIG. 6 Paper Feed Section 2

3NW-1

	Ref. No.	Part.No.	Alternative Part.No.	Description	Quantity		
					120	230	240
	1	303M429040	3M429040	ACTUATOR EJECT SW	1	1	1
⊙	2	7NXSG2A141++H01	NX120700	SENSOR OPT.	3	3	3
	3	302H702590	2H702590	BUSH SCREW	1	1	1
	4	302K324450	2K324450	BUSH 6	5	5	5
⊙	5	303M494110	3M494110	PARTS ROLLER EJECT SP	1	1	1
⊙	6	3H622020	3H622020	GEAR CIS ROLLER 20	1	1	1
	7	5MVX111DN003	2A806250	RING STOPPER/A-49 FEED A4	6	6	6
⊙	8	303M407110	3M407110	GEAR Z33	1	1	1
	9	303LL07190	3LL07190	PULLEY SEPARATION	1	1	1
⊙	10	303JX07400	3JX07400	TORQUE LIMITER FEED	1	1	1
	11	5MVL177DN001	2FB06810	RING STOPPER 4	1	1	1
⊙	12	303NW94040	3NW94040	PARTS SENSOR OPT. SP	1	1	1
	13	303NW07010	3NW07010	ACTUATOR SLIPPAGE	1	1	1
⊙	14	303M894100	3M894100	PARTS PWB LED ASSY SP	1	1	1
	15	3H607030	3H607030	COLLAR PF A	1	1	1
	16	303M407480	3M407480	PULLEY LF	1	1	1
	17	303MW07060	3MW07060	FILM TORQUE LIMITER	1	1	1
	18	303LL24190	3LL24190	PULLEY GUIDE READING	2	2	2
⊙	19	303M494200	3M494200	PARTS GUIDE SEPARATE ASSY SP	1	1	1
	20	2C907360	2C907360	SPRING CURSOR R	2	2	2
⊙	21	2FM04150	5MVM163DN005	CAP SPRING /B-11 ENCLOSURE A4	2	2	2
⊙	22	302F929260	2F929260	PULLEY DU LOW	2	2	2
⊙	23	303H607131	3H607131	BUSHING PF HOLDER	2	2	2
⊙	24	303H607280	3H607280	PULLEY TENSION	1	1	1
⊙	25	303K502130	3K502130	STATIC ELIMINATOR EJECT	1	1	1
	26	303LL07531	3LL07531	BELT PF	1	1	1
	27	303M407080	3M407080	PULLEY 20	1	1	1
	28	303M407200	3M407200	PULLEY HOLDER LF	1	1	1
	29	303M407220	3M407220	PULLEY 20 LF	1	1	1
	30	2BG22990	2BG22990	CUT WASHER 4	1	1	1
⊙	31	2FB07330	2FB07330	STOPPER BYPASS TABLE	2	2	2
	32	303K502070	3K502070	SEAL WIRE	1	1	1
⊙	33	28107310	49028101	BUSH 8	2	2	2
	101	5MBP2010WXSP	E0020100	SPRING PIN / M2 X 10 S-BLK			
	102	5MBP2012WXSP	E0020120	SPRING PIN / M2 X 12 S-BLK			
	103	7BB100306H1	BB105820	+BIND T.T S SCREW 3X6			
	104	7BB200308H	BB105660	+BIND T.T P SCREW 3X8			
	105	7BB700308H	BB105600	+BIND T.T S SCREW 3X8 SR			
	106	E0020080	48100208	SPRING PIN 2X8			

Parts with "•" are component parts or sub-assemblies of the assembly appearing immediately above them.

Parts with "⊙" indicate regular maintenance parts.

FIG. 7 Drive Section & Electrical Components

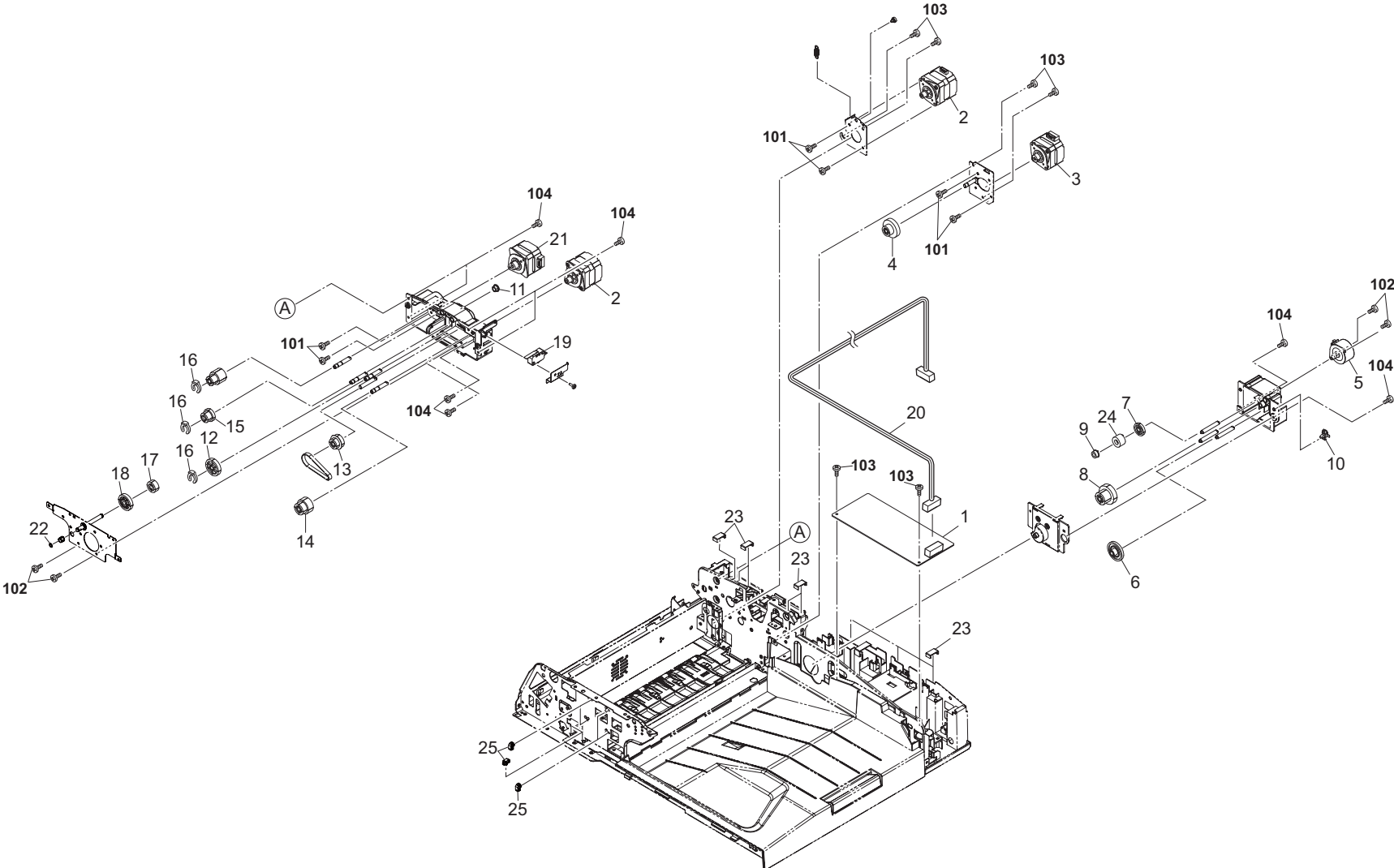


FIG. 7 Drive Section & Electrical Components

3NW-1

	Ref. No.	Part.No.	Alternative Part.No.	Description	Quantity		
					120	230	240
⊙	1	303M494020	3M494020	PARTS PWB DRIVER ASSY SP	1	1	1
⊙	2	303M494040	3M494040	PARTS MOTOR CONVEYING SP	2	2	2
⊙	3	302KY94070	2KY94070	PARTS MOTOR DU SP	1	1	1
⊙	4	303NW94030	3NW94030	PARTS GEAR Z62 Z20 LOOP SP	1	1	1
⊙	5	302H794310	2H794310	PARTS MOTOR ROTARY GUIDE	1	1	1
⊙	6	303H622331	3H622331	GEAR 20/65 IDLE	1	1	1
⊙	7	303M494120	3M494120	GEAR 20/65 IDLE	1	1	1
⊙	8	303M494130	3M494130	PARTS GEAR JOINT Z20 Z65 SP	1	1	1
⊙	9	3H622160	3H622160	GEAR 20 JOINT	1	1	1
	10	M21AH010	M21AH010	BAND,RSG-130-V0(KITAGAWA)	1	1	1
	11	302K324450	2K324450	BUSH 6	1	1	1
⊙	12	303M431050	3M431050	GEAR Z35	1	1	1
⊙	13	303M431060	3M431060	GEAR Z20 P48	1	1	1
⊙	14	303M431090	3M431090	GEAR Z30 Z23	1	1	1
⊙	15	303M431400	3M431400	GEAR Z25 Z19	1	1	1
	16	5MVX111DN003	2A806250	RING STOPPER /A-49 FEED A4	3	3	3
⊙	17	303M431040	3M431040	GEAR Z22 ONEWAY	1	1	1
⊙	18	3HK22040	3HK22040	GR 33 CONV	1	1	1
⊙	19	2FB27160	2FB27160	INTER LOCK SWITCH	1	1	1
	20	303M446010	3M446010	WIRE INTERFACE	1	1	1
⊙	21	303M494180	3M494180	PARTS MOTOR REGISTRATION SP	1	1	1
	22	2BG22990	2BG22990	CUT WASHER 4	1	1	1
	23	303LL02330	3LL02330	HOLDER WIRE D	8	8	8
	24	303M406160	3M406160	TORQUE-LIMITER 1000	1	1	1
	25	7YZM610007++H01	YZ023340	ACCESS.SADDLE	6	6	6
	101	7BB000306H	BB106880	+BIND M SCREW 3X6			
	102	7BB200308H	BB105660	+BIND T.T P SCREW 3X8			
	103	7BB606308H	BB105280	+PAN M SCREW WITH SW W 3X8 R			
	104	7BB700308H	BB105600	+BIND T.T S SCREW 3X8 SR			

Parts with "•" are component parts or sub-assemblies of the assembly appearing immediately above them.

Parts with "⊙" indicate regular maintenance parts.



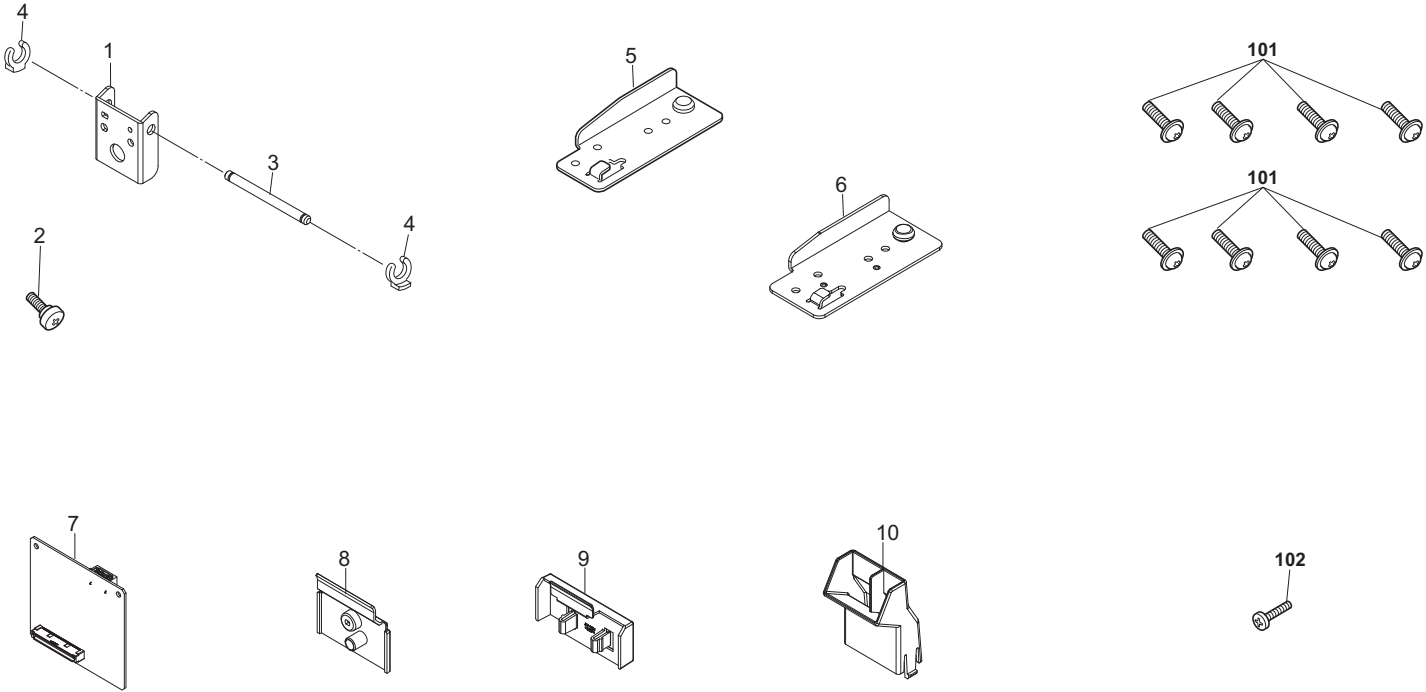


FIG. 8 Accessories

3NW

	Ref. No.	Part.No.	Alternative Part.No.	Description	Quantity		
					120	230	240
	1	303M402170	3M402170	PLATE ANGLE	1	1	1
	2	303JX02260	3JX02260	PIN HINGE	1	1	1
	3	303JX02391	3JX02391	SHAFT ANGLE RESTRICTION	1	1	1
	4	5MVX111DN003	2A806250	RING STOPPER /A-49 FEED A4	2	2	2
	5	303LL02380	3LL02380	PLATE GUIDE HINGE	1	1	1
	6	303M402200	3M402200	PLATE GUIDE HINGE	1	1	1
⊙	7	303M494010	3M494010	PARTS PWB DPIF ASSY SP	1	1	1
⊙	8	303M404070	3M404070	COVER HINGE LEFT	1	1	1
⊙	9	303M404080	3M404080	COVER HINGE RIGHT	1	1	1
⊙	10	303M404110	3M404110	COVER WIRE INTERFACE	1	1	1
	101	7BB607414H	BB107160	+TP-CUP M SCREW 4X14 R			
	102	7BB780308H	BB111200	+BIND T.T S SCREW 3X8 SR(BLACK)			

Parts with "•" are component parts or sub-assemblies of the assembly appearing immediately above them.

Parts with "⊙" indicate regular maintenance parts.

INDEX

3NW-1

	Part.No.	Alternative	Description	Fig.No.
⊙	28107310	49028101	BUSH 8	4,6
⊙	28801190	48928800	PULLEY,TIMING BELT	4
	2BC06910	2BC06910	STOPPER 6	4
	2BG22990	2BG22990	CUT WASHER 4	6,7
⊙	2BL06170	2BL06170	GEAR Z42 FEED	5
	2C907360	2C907360	SPRING CURSOR R	6
⊙	2CK17050	2CK17050	GEAR IDLE Z14S	5
⊙	2FB07330	2FB07330	STOPPER BYPASS TABLE	6
⊙	2FB27160	2FB27160	INTER LOCK SWITCH	7
⊙	2FM04150	5MVM163DN005	CAP SPRING /B-11 ENCLOSURE A4	6
⊙	302F929260	2F929260	PULLEY DU LOW	6
	302FB09830	2FB09830	CUT WASHER 4	5
⊙	302FZ08370	2FZ08370	GEAR JOINT MPT UNIT	5
	302H008140	2H008140	SPRING BYPASSFFED	4
⊙	302H044120	2H044120	FAN COOLING 40-15	4
	302H702590	2H702590	BUSH SCREW	6
⊙	302H744090	2H744090	FAN COOLING CONV	4
⊙	302H794310	2H794310	PARTS MOTOR ROTARY GUIDE	7
	302K324450	2K324450	BUSH 6	5,6,7
⊙	302KY94070	2KY94070	PARTS MOTOR DU SP	7
	303H316360	3H316360	SPRING CONVEYING	5
	303H604090	3H604090	CLOTH CLEANING	1
⊙	303H607131	3H607131	BUSHING PF HOLDER	6
⊙	303H607280	3H607280	PULLEY TENSION	6
⊙	303H622331	3H622331	GEAR 20/65 IDLE	7
	303J902370	3J902370	CUSHION ORIGINAL MAT	4
	303JC04200	3JC04200	PLATE ORIGINAL	1
	303JX02090	3JX02090	SPRING PUSH SW	2
	303JX02260	3JX02260	PIN HINGE	8
	303JX02391	3JX02391	SHAFT ANGLE RESTRICTION	8
	303JX06070	3JX06070	PINION GEAR	3
⊙	303JX06090	3JX06090	SENSOR EARTH	3
⊙	303JX07400	3JX07400	TORQUE LIMITER FEED	6
	303K502070	3K502070	SEAL WIRE	6
⊙	303K502130	3K502130	STATIC ELIMINATOR EJECT	6
	303LL02150	3LL02150	HOLDER SPRING PUSH SW	2
	303LL02330	3LL02330	HOLDER WIRE D	7
	303LL02380	3LL02380	PLATE GUIDE HINGE	8
	303LL02390	3LL02390	PUSH SW	2
	303LL06090	3LL06090	MOUNT ORIGINAL SENSOR	3

	Part.No.	Alternative	Description	Fig.No.
	303LL07130	3LL07130	SHAFT REGISTRATION PULLEY	5
	303LL07170	3LL07170	SPRING REGISTRATION	5
	303LL07190	3LL07190	PULLEY SEPARATION	6
	303LL07531	3LL07531	BELT PF	6
	303LL24190	3LL24190	PULLEY GUIDE READING	4,6
⊙	303LL31330	3LL31330	PULLEY 38 CONVEYING	4
⊙	303LL94031	3LL94031	PARTS MAT ASSY	1
	303M402021	3M402021	HINGE LEFT	2
	303M402031	3M402031	HINGE RIGHT	2
	303M402170	3M402170	PLATE ANGLE	8
	303M402200	3M402200	PLATE GUIDE HINGE	8
	303M404040	3M404040	TRAY EJECT	2
⊙	303M404050	3M404050	COVER LEFT	1
⊙	303M404060	3M404060	COVER INNER	1
⊙	303M404070	3M404070	COVER HINGE LEFT	8
⊙	303M404080	3M404080	COVER HINGE RIGHT	8
	303M404090	3M404090	FILM LED	1
⊙	303M404100	3M404100	COVER BOTTOM RIGHT	2
⊙	303M404110	3M404110	COVER WIRE INTERFACE	8
	303M404121	3M404121	TRAY SLIDE	2
	303M404140	3M404140	HANDLE COVER PF	5
	303M404170	3M404170	STOPPER EJECT	2
	303M406010	3M406010	CURSOR FRONT	3
	303M406020	3M406020	CURSOR REAR	3
	303M406030	3M406030	RACK TABLE	3
	303M406040	3M406040	COVER CURSOR	3
⊙	303M406070	3M406070	GEAR LIFT Z30	3
	303M406090	3M406090	TABLE LIFT	3
	303M406100	3M406100	BASE TABLE	3
	303M406110	3M406110	COVER TABLE	3
	303M406120	3M406120	SUB TABLE	3
	303M406140	3M406140	SPONGE LIFT	3
	303M406160	3M406160	TORQUE-LIMITER 1000	7
	303M407080	3M407080	PULLEY 20	6
⊙	303M407110	3M407110	GEAR Z33	6
	303M407200	3M407200	PULLEY HOLDER LF	6
	303M407220	3M407220	PULLEY 20 LF	6
	303M407300	3M407300	LENS LED	5
	303M407400	3M407400	HOLDER LENS	5
	303M407480	3M407480	PULLEY LF	6

	Part.No.	Alternative	Description	Fig.No.
	303M424200	3M424200	SHEET LEFT READING	4
	303M424210	3M424210	GUIDE LEFT READING	4
	303M424250	3M424250	GUIDE READING	4
	303M424300	3M424300	PULLEY REGISTRATION BK	5
	303M424310	3M424310	PULLEY REG B BK	5
	303M424400	3M424400	PULLY CIS ROLLER	5
	303M429040	3M429040	ACTUATOR EJECT SW	6
⊙	303M431040	3M431040	GEAR Z22 ONEWAY	7
⊙	303M431050	3M431050	GEAR Z35	7
⊙	303M431060	3M431060	GEAR Z20 P48	7
⊙	303M431090	3M431090	GEAR Z30 Z23	7
⊙	303M431340	3M431340	GEAR 22 CIS IDLE	4
⊙	303M431400	3M431400	GEAR Z25 Z19	7
	303M434020	3M434020	LABEL CAUTION IN	3
	303M434030	3M434030	LABEL CAUTION ME	3
	303M434040	3M434040	LABEL C	1
	303M434080	3M434080	LABEL CAUTION B	1
	303M434100	3M434100	LABEL FACE UP EN	3
	303M434110	3M434110	LABEL CAUTION SET IN	3
	303M434120	3M434120	LABEL CAUTION SET ME	3
	303M434130	3M434130	LABEL FACE UP SET	3
	303M434160	3M434160	LABEL FACE UP KTST	3
	303M446010	3M446010	WIRE INTERFACE	7
	303M446020	3M446020	WIRE INTERFACE VIDEO	5
⊙	303M494010	3M494010	PARTS PWB DPIF ASSY SP	8
⊙	303M494020	3M494020	PARTS PWB DRIVER ASSY SP	7
⊙	303M494031	3M494031	PARTS PWB SHD(C) ASSY SP	5
⊙	303M494040	3M494040	PARTS MOTOR CONVEYING SP	7
⊙	303M494050	3M494050	PARTS SENSOR A3 COLOR CIS(C) SP	5
⊙	303M494060	3M494060	PARTS ROLLER CIS SP	5
⊙	303M494070	3M494070	PARTS ROLLER REGISTRATION SP	4
⊙	303M494080	3M494080	PARTS ROLLER CONVEYING UPPER SP	4
⊙	303M494090	3M494090	PARTS ROLLER CONVEYING LEFT SP	4
⊙	303M494100	3M494100	PARTS ROLLER CONVEYING RIGHT SP	4
⊙	303M494110	3M494110	PARTS ROLLER EJECT SP	6
⊙	303M494120	3M494120	GEAR 20/65 IDLE	7
⊙	303M494130	3M494130	PARTS GEAR JOINT Z20 Z65 SP	7
⊙	303M494180	3M494180	PARTS MOTOR REGISTRATION SP	7
⊙	303M494200	3M494200	PARTS GUIDE SEPARATE ASSY SP	6
	303M802320	3M802320	SPONGE ORIGINAL MAT A	4

	Part.No.	Alternative	Description	Fig.No.
	303M824160	3M824160	GUIDE RIGHT READING	4
	303M824210	3M824210	PULLEY CONVEYING BK	4
⊙	303M894100	3M894100	PARTS PWB LED ASSY SP	6
⊙	303M894270	3M894270	PARTS PWB SIZE DETECTION ASSY SP	3
	303MW07060	3MW07060	FILM TORQUE LIMITER	6
	303MX02021	3MX02021	CUSHION ORIGINAL MAT A	1
	303NA06110	3NA06110	SPRING PICK UP	4
⊙	303NW04013	3NW04013	COVER PF	5
⊙	303NW04031	3NW04031	COVER FRONT	1
⊙	303NW04041	3NW04041	COVER REAR	1
	303NW04050	3NW04050	HANDLE FRONT COVER	1
	303NW04060	3NW04060	LID REAR COVER	1
	303NW06010	3NW06010	ACTUATOR LIFT	3
	303NW07010	3NW07010	ACTUATOR SLIPPAGE	6
	303NW24020	3NW24020	GLASS CIS	5
⊙	303NW31010	3NW31010	GEAR Z30	4
	303NW31040	3NW31040	PULLEY 69 CONVEYING LOW	4
	303NW34010	3NW34010	LABEL ORIGINAL MAX	3
	303NW34020	3NW34020	LABEL CATION SET TW	3
⊙	303NW94030	3NW94030	PARTS GEAR Z62 Z20 LOOP SP	7
⊙	303NW94040	3NW94040	PARTS SENSOR OPT. SP	4,5,6
⊙	303NW94050	3NW94050	PARTS SENSOR OPT. SP	3
⊙	303NW94060	3NW94060	PARTS SENSOR OPT. SP	3
	3A707290	3A707290	PAD,LIFT	3
	3H607030	3H607030	COLLAR PF A	6
⊙	3H622020	3H622020	GEAR CIS ROLLER 20	6
⊙	3H622160	3H622160	GEAR 20 JOINT	7
⊙	3HK22040	3HK22040	GR 33 CONV	7
	3HL06090	3HL06090	CUSHION CURSOR	3
	3HL06110	3HL06110	TERMINAL PAPER SIZE	3
	5MVL177DN001	2FB06810	RING STOPPER 4	6
	5MVX111DN003	2A806250	RING STOPPER/A-49 FEED A4	4,5,6,7,8
	7BE008165431H01	BE119730	BEARING 688ZZ	4
⊙	7NXSG2A141++H01	NX120700	SENSOR OPT.	3,4,6
	7YZM110001++H01	YZ009420	ACCESS.BUSHING	4
	7YZM210005++H01	YZ037990	ACCESS.EDGING	4
	7YZM210006++H01	YZ038000	ACCESS.EDGING	4
	7YZM510019++H01	YZ123830	ACCESS.SPACER	5
	7YZM610007++H01	YZ023340	ACCESS.SADDLE	4,7
	M21AH010	M21AH010	BAND,RSG-130-V0(KITAGAWA)	7

## KYOCERA MITA EUROPE B.V.

Bloemlaan 4, 2132 NP Hoofddorp,  
The Netherlands  
Phone: +31.20.654.0000  
Home page: <http://www.kyoceramita-europe.com>  
Email: [info@kyoceramita-europe.com](mailto:info@kyoceramita-europe.com)

KYOCERA MITA NEDERLAND B.V.  
Beechavenue 25, 1119RA Schiphol-Rijk  
The Netherlands  
Phone: +31.20.58.77.200

KYOCERA MITA (UK) LTD  
8 Beacontree Plaza  
Gillette Way Reading Berks RG2 0BS,  
U.K.  
Phone: +44.1189.311.500

KYOCERA MITA ITALIA S.p.A.  
Via G. Verdi, 89 / 91, 20063 Cernusco s/N  
Milano, Italy  
Phone: +39.02.92179.1

S.A. KYOCERA MITA BELGIUM N.V.  
Sint-Martinusweg 199-201, 1930 Zaventem,  
Belgium  
Phone: +32.2.720.9270

KYOCERA MITA FRANCE S.A.  
Espace Technologique de St Aubin  
Route de l' Orme  
91195 Gif-sur-Yvette CEDEX, France  
Phone: +33.1.6985.2600

KYOCERA MITA ESPAÑA S.A.  
Edificio Kyocera, Avda de Manacor No. 2,  
28290 Las Matas (Madrid),  
Spain  
Phone: +34.91.631.8392

KYOCERA MITA FINLAND OY  
Atomitie 5C, 00370 Helsinki,  
Finland  
Phone: +358.9.4780.5200

KYOCERA MITA (SCHWEIZ)  
Hohlstrasse 614, 8048 Zürich  
Switzerland  
Phone: +41.44.908.4949

KYOCERA MITA DEUTSCHLAND GMBH  
Otto-Hahn-Str. 12 D-40670 Meerbusch,  
Germany  
Phone: +49.2159.918.0

KYOCERA MITA GMBH AUSTRIA  
Eduard-Kittenberger-Gasse 95,  
1230 Wien,  
Austria  
Phone: +43.1.86338

KYOCERA MITA SVENSKA AB  
Esbogatan 16B 164 75 Kista,  
Sweden  
Phone: +46.8.546.55000

KYOCERA MITA NORGE  
Postboks 150 Oppsal, NO 0619 Oslo  
Olaf Helsetsvei 6, NO 0694 Oslo,  
Norway  
Phone: +47.22.62.73.00

KYOCERA MITA DANMARK A/S  
Ejby Industrivej 60, DK-2600 Glostrup,  
Denmark  
Phone: +45.7022.3880

KYOCERA MITA PORTUGAL LDA.  
Rua do Centro Cultural, 41 (Alvalade) 1700-106 Lisboa,  
Portugal  
Phone: +351.21.843.6780

KYOCERA MITA SOUTH AFRICA (PTY) LTD.  
49 Kyalami Boulevard,  
Kyalami Business Park Midrand,  
South Africa  
Phone: +27.(0)11.540.2600

## KYOCERA MITA AMERICA, INC.

Headquarters:  
225 Sand Road,  
Fairfield, New Jersey 07004-0008,  
U.S.A.  
Phone: (973) 808-8444

KYOCERA MITA AUSTRALIA PTY. LTD.  
Level 3, 6-10 Talavera Road, North Ryde,  
N.S.W. 2113 Australia  
Phone: (02) 9888-9999

KYOCERA MITA NEW ZEALAND LTD.  
1-3 Parkhead Place, Albany  
P.O. Box 302 125 NHPC, Auckland,  
New Zealand  
Phone: (09) 415-4517

## KYOCERA MITA Asia Limited

16/F., Mita Centre,  
552-566, Castle Peak Road,  
Tsuen Wan, New Territories, Hong Kong  
Phone: (852)-2610-2181

## KYOCERA MITA Corporation

2-28, 1-chome, Tamatsukuri, Chuo-ku  
Osaka 540-8585, Japan  
Phone: (06) 6764-3555  
<http://www.kyoceramita.com>

## KYOCERA MITA AMERICA, INC.

### **Headquarters:**

225 Sand Road,  
Fairfield, New Jersey 07004-0008  
TEL : (973) 808-8444  
FAX : (973) 882-6000

### **New York Branch:**

30-30 47th Avenue  
Long Island City, NY 11101  
TEL : (718) 289-2500  
FAX : (718) 289-2501

### **Northeastern Region:**

225 Sand Road,  
Fairfield, New Jersey 07004-0008  
TEL : (973) 808-8444  
FAX : (973) 882-4401

### **Midwestern Region:**

201 Hansen Court Suite 119  
Wood Dale, Illinois 60191  
TEL : (630) 238-9982  
FAX : (630) 238-9487

### **Western Region:**

14101 Alton Parkway,  
Irvine, California 92618-7006  
TEL : (949) 457-9000  
FAX : (949) 457-9119

### **Southeastern Region:**

3100 Breckinridge Blvd. NW Building 100,  
Suite 105 Duluth, Georgia 30096  
TEL : (770) 729-9786  
FAX : (770) 729-9873

### **Southwestern Region:**

2825 West Story Road,  
Irving, Texas 75038-5299  
TEL : (972) 550-8987  
FAX : (972) 570-4704

### **National Operation Center & National Training Center:**

2825 West Story Road,  
Irving, Texas 75038-5299  
TEL : (972) 659-0055  
FAX : (972) 570-5816

### **Latin America Division:**

8240 N.W. 52nd. Terrace Dawson Building,  
Suite 108 Miami, Florida 33166  
TEL : (305) 421-6640  
FAX : (305) 421-6666

## KYOCERA MITA CANADA, LTD.

6120 Kestrel Road, Mississauga,  
Ontario L5T 1S8, Canada  
TEL : (905) 670-4425  
FAX : (905) 670-8116

## KYOCERA MITA MEXICO, S.A. DE C.V.

Av. 16 de Septiembre #407  
Col. Santa Inés,  
Azcapotzalco México,  
D.F. 02130, México  
TEL : (55) 5383-2741  
FAX : (55) 5383-7804

## KYOCERA MITA Brazil Ltda.

Av. Tambore, 1180 Mob.B-09 CEP 06460-000  
Tambore-Barveri-SP,  
Brazil  
TEL : (55) 11-4195-8496  
FAX : (55) 11-4195-6167

## KYOCERA MITA Asia Limited

16/F., Mita Centre,  
552-566, Castle Peak Road,  
Tsuen Wan, New Territories, Hong Kong  
Phone: (852)-2610-2181

### **KYOCERA MITA (Thailand) Corp., Ltd.**

335 Ratchadapisek Road, Bangsue,  
Bangkok, 10800, Thailand  
Phone: (66)-2-586-0333

### **KYOCERA MITA Singapore Pte Ltd.**

121 Genting Lane, 3rd Level,  
Singapore 349572  
Phone: (65)-6741-8733

### **KYOCERA MITA Hong Kong Limited**

16/F., Mita Centre,  
552-566, Castle Peak Road,  
Tsuen Wan, New Territories,  
Hong Kong  
Phone: (852)-2429-7422

### **KYOCERA MITA Taiwan Corporation**

6F., No.37, Sec. 3, Minquan E. Rd.,  
Zhongshan Dist., Taipei 104, Taiwan R.O.C.  
Phone: (886)-2-2507-6709

### **KYOCERA MITA Korea Co., Ltd.**

18F, Kangnam bldg, 1321-1,  
Seocho-Dong, Seocho-Gu, Seoul, Korea  
Phone: (822)-6933-4050

### **KYOCERA MITA India Private Limited**

First Floor, ORCHID CENTRE  
Sector-53, Golf Course Road, Gurgaon 122  
002, India  
Phone: (91)-0124-4671000

©2011 KYOCERA MITA Corporation

 is a trademark of Kyocera Corporation