



DP-770/DP-770(B)

PARTS LIST

Published in October 2013
3NVPL074
Rev.4

———— CONTENTS ————

FIG. 1	Covers	2
FIG. 2	Frames	4
FIG. 3	Table Assy	6
FIG. 4	Paper Conveying Section	8
FIG. 5	Paper Feed Section	10
FIG. 6	Duplex Section	12
FIG. 7	Drive & Cooling Section	14
FIG. 8	Accessories	16
	• INDEX	18

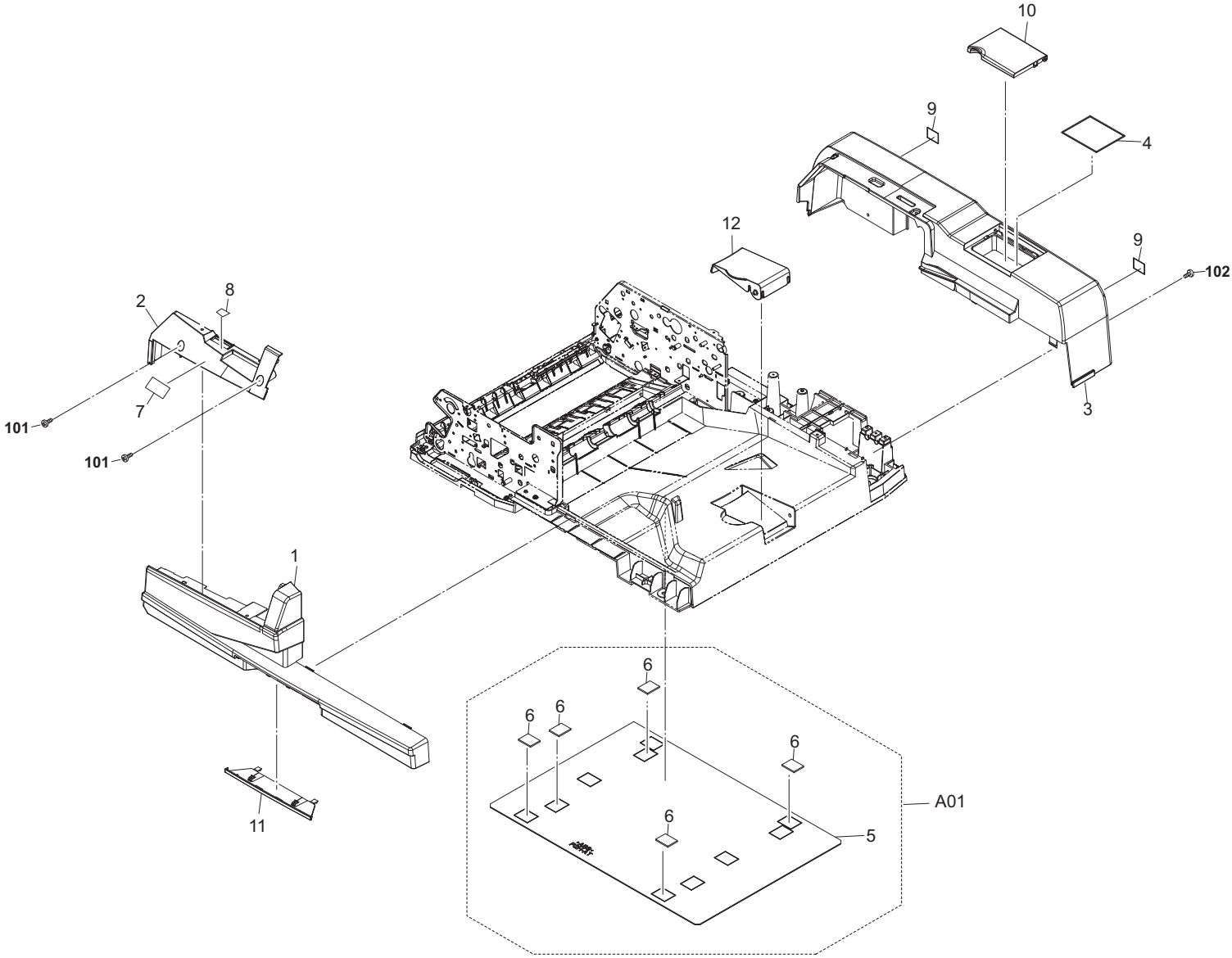


FIG. 1 Covers

3NV-3

	Ref. No.	Part.No.	Alternative.	Description	Quantity		
					120	230	240
⊙	1	303NV04011	3NV04011	COVER FRONT	1	1	1
⊙	2	303LL04080	3LL04080	COVER FRONT B	1	1	1
⊙	3	303NV04021	3NV04021	COVER REAR	1	1	1
	4	303H604090	3H604090	CLOTH CLEANING	1	1	1
⊙	A01	303LL94031	3LL94031	PARTS MAT ASSY	1	1	1
	5	*303JC04200	3JC04200	PLATE ORIGINAL	1	1	1
	6	*303MX02021	3MX02021	CUSHION ORIGINAL MAT A	5	5	5
	7	303NV34040	3NV34040	LABEL JAM	1	1	1
	8	303M434040	3M434040	LABEL C	1	1	1
	9	303LL34250	3LL34250	LABEL CAUTION	2	2	2
⊙	10	303LL04040	3LL04040	LID REAR COVER	1	1	1
⊙	11	303LL04050	3LL04050	HANDLE DP	1	1	1
⊙	12	303LL04061	3LL04061	STOPPER EJECT ORIGINAL	1	1	1

	Ref. No.	Part.No.	Alternative.	Description	Quantity		
					120	230	240
	101	7BB180306H	BB111190	+BIND T.T S SCREW 3X6(BLACK)			
	102	7BB780308H	BB111200	+BIND T.T S SCREW 3X8 SR(BLACK)			

- Parts with "*" are component parts or sub-assemblies of the assembly appearing immediately above them.
- Parts with "⊙" indicate regular maintenance parts.

- Parts with Ref.No. indicate maintenance parts and the ones without it indicate out of the above.

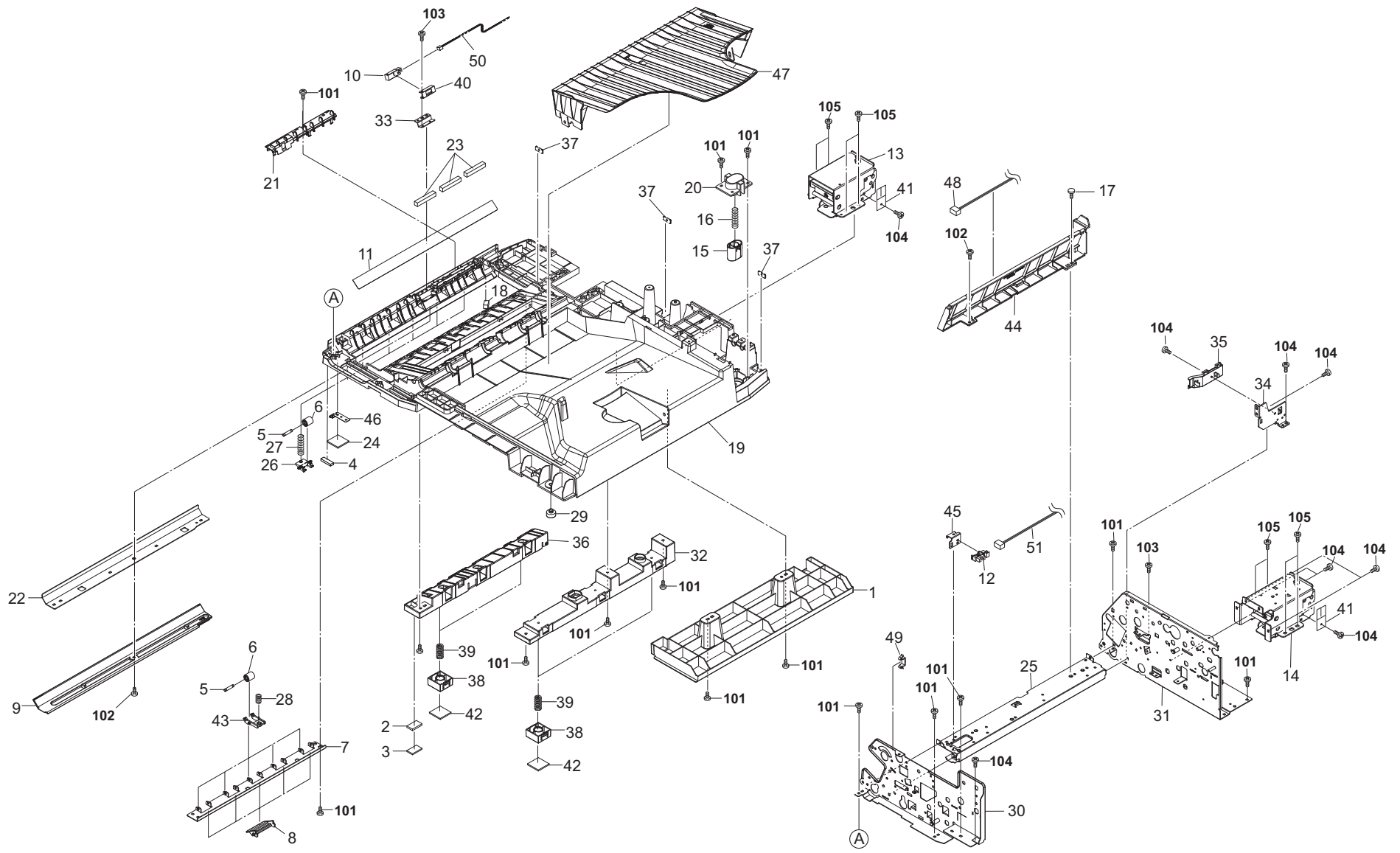


FIG. 2 Frames

3NV-3

Ref. No.	Part.No.	Alternative.	Description	Quantity		
				120	230	240
⊙ 1	303LL04100	3LL04100	COVER BOTTOM RIGHT	1	1	1
2	303M802320	3M802320	SPONGE ORIGINAL MAT A	1	1	1
3	303J902370	3J902370	CUSHION ORIGINAL MAT	1	1	1
4	303NV02070	3NV02070	CUSHION BASE	1	1	1
5	3H608150	3H608150	SHAFT C PULLEY	10	10	10
6	303NV24020	3NV24020	PULLEY READING BK	10	10	10
7	303LL24211	3LL24211	MOUNT RIGHT PULLEY	1	1	1
8	303LL24160	3LL24160	GUIDE RIGHT READING	5	5	5
9	303LL04070	3LL04070	COVER BOTTOM	1	1	1
⊙ 10	303NW94040	3NW94040	PARTS SENSOR OPT. SP	1	1	1
11	303LL02080	3LL02080	SHEET LEFT GUIDE A	1	1	1
⊙ 12	303M894260	3M894260	PARTS SENSOR OPT SP	1	1	1
13	303LK02030	3LK02030	HINGE RIGHT	1	1	1
14	303LL02020	3LL02020	HINGE LEFT	1	1	1
15	303LL02390	3LL02390	PUSH SW	1	1	1
16	303JX02090	3JX02090	SPRING PUSH SW	1	1	1
17	302FZ03070	2FZ03070	RETAINING PIN DRAWER	1	1	1
18	303K502070	3K502070	SEAL WIRE	1	1	1
19	303LL02011	3LL02011	BASE DP	1	1	1
20	303LL02150	3LL02150	HOLDER SPRING PUSH SW	1	1	1
21	303LL02210	3LL02210	COVER SENSOR	1	1	1
22	303LL02340	3LL02340	STAY BASE	1	1	1
23	303LL02480	3LL02480	SEAL WIRE	3	3	3
24	303NV04050	3NV04050	SHEET BASE	1	1	1
25	303LL24060	3LL24060	STAY CONVEYING LOWER	1	1	1
26	303LL24100	3LL24100	HOLDER LEFT PULLEY	5	5	5
27	303LL24120	3LL24120	SPRING PULLEY CONV LEFT	5	5	5
28	303LL24130	3LL24130	SPRING PULLEY CONV R	5	5	5
⊙ 29	3H602250	3H602250	CUSHION RUBBER	1	1	1
30	303LL02041	3LL02041	FRAME FRONT	1	1	1
31	303LL02050	3LL02050	FRAME REAR	1	1	1
32	303LL02060	3LL02060	MOUNT SPONGE	1	1	1
33	303LL02230	3LL02230	PLATE SENSOR	1	1	1
34	303LL02260	3LL02260	STAY FRAME REAR	1	1	1
35	303LL02270	3LL02270	HOLDER WIRE B	1	1	1
36	303LL02280	3LL02280	MOUNT SPONGE B	1	1	1
37	303LL02370	3LL02370	PLATE SCREW	3	3	3
38	303LL02410	3LL02410	MOUNT CUSHION	4	4	4
39	303LL02430	3LL02430	SPRING PUSH MAT	4	4	4
40	303LL02470	3LL02470	GROUND TIMING SW	1	1	1
41	303LL02520	3LL02520	GROUND PLATE HINGE	2	2	2
42	303LL02530	3LL02530	CUSHION ORIGINAL MAT	4	4	4
43	303LL24110	3LL24110	HOLDER RIGHT PULLEY	5	5	5
44	303LL24170	3LL24170	GUIDE CONVEYING MID	1	1	1
45	303LL24200	3LL24200	MOUNT READING SW	1	1	1
46	303LL24260	3LL24260	GROUND MOUNT R PULLEY	1	1	1
47	303NV02050	3NV02050	TRAY LOOP	1	1	1
48	303NV46080	3NV46080	WIRE SOL	1	1	1
49	7YZM390011++H01	YZ050250	ACCESS.CLAMP	1	1	1
50	303NV46070	3NV46070	WIRE CCDTMG	1	1	1

Ref. No.	Part.No.	Alternative.	Description	Quantity		
				120	230	240
51	303NV46100	3NV46100	WIRE LED	1	1	1
101	7BB200308H	BB105660	+BIND T.T P SCREW 3X8			
102	7BB780308H	BB111200	+BIND T.T S SCREW 3X8 SR(BLACK)			
103	7BB700314H	BB105610	+BIND T.T S SCREW 3X14 SR			
104	7BB700308H	BB105600	+BIND T.T S SCREW 3X8 SR			
105	7BB200410H	BB105700	+BIND T.T P SCREW 4X10			

- Parts with "*" are component parts or sub-assemblies of the assembly appearing immediately above them.
- Parts with "⊙" indicate regular maintenance parts.

- Parts with Ref.No. indicate maintenance parts and the ones without it indicate out of the above.

FIG. 3 Table Assy

3NV-3

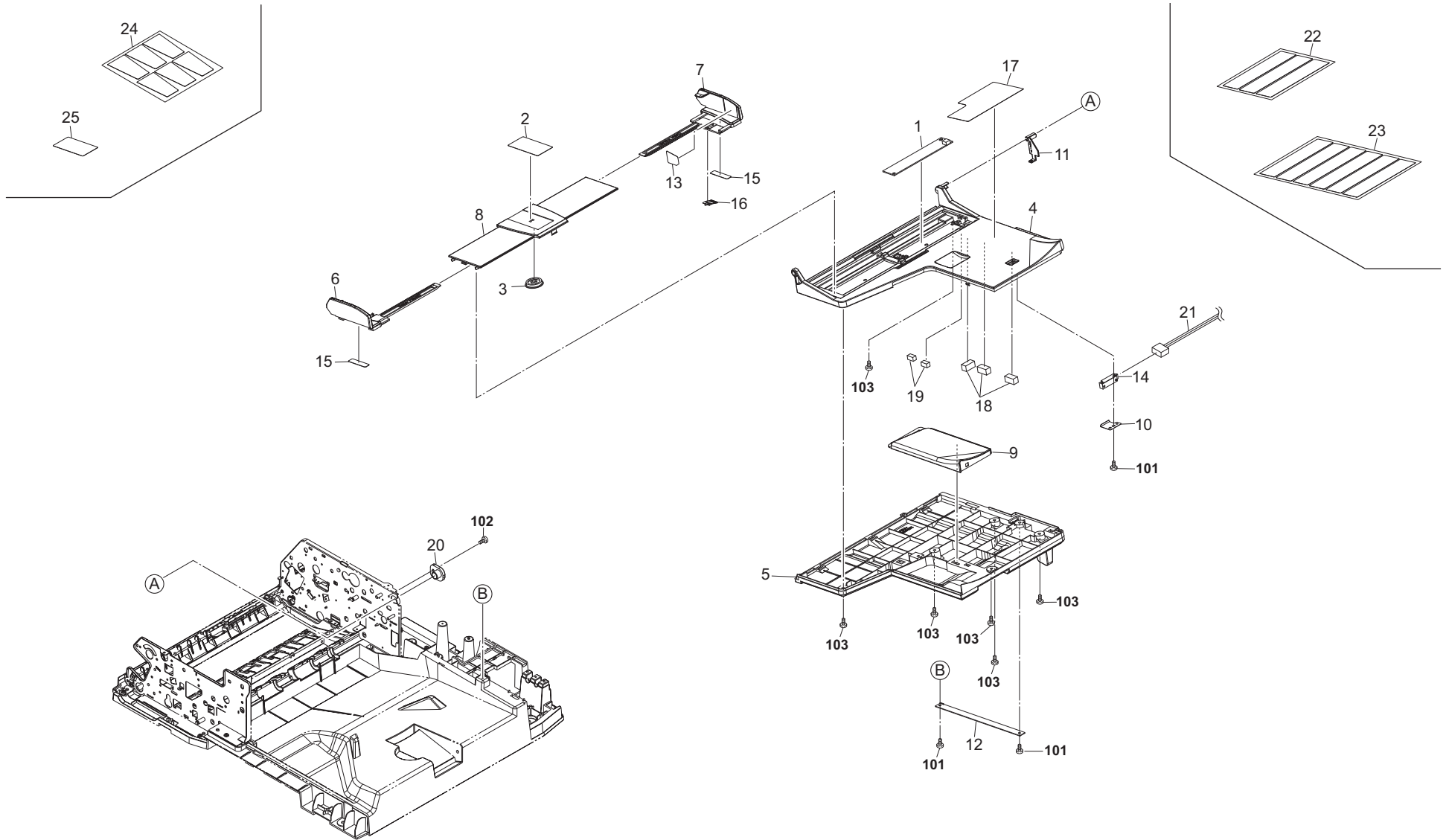


FIG. 3 Table Assy

3NV-3

Ref. No.	Part.No.	Alternative.	Description	Quantity		
				120	230	240
⊙	1	303M894270	3M894270	1	1	1
	2	303H605110	3H605110	1	1	1
	3	303JX06070	3JX06070	1	1	1
	4	303NV06010	3NV06010	1	1	1
	5	303NV06041	3NV06041	1	1	1
	6	303LL06031	3LL06031	1	1	1
	7	303NV06070	3NV06070	1	1	1
	8	303LL06050	3LL06050	1	1	1
	9	303NV06031	3NV06031	1	1	1
	10	303LL06090	3LL06090	1	1	1
	11	303LL06100	3LL06100	1	1	1
	12	303LL06110	3LL06110	1	1	1
	13	303P234020	3P234020	1	1	1
⊙	14	303NW94050	3NW94050	1	1	1
	15	3HL06090	3HL06090	2	2	2
	16	3HL06110	3HL06110	1	1	1
	17	303NV34020	3NV34020	1		
	17	303NV34030	3NV34030		1	1
	18	302H012330	2H012330	3	3	3
	19	303K502070	3K502070	2	2	2
	20	303NV06060	3NV06060	1	1	1
	21	303NV46030	3NV46030	1	1	1
	22	303NV34060	3NV34060	1		
	23	303NV34070	3NV34070		1	1
	24	303LL34190	3LL34190	1	1	
	25	303H605240	3H605240			1

Ref. No.	Part.No.	Alternative.	Description	Quantity		
				120	230	240
	101	7BB200308H	BB105660			
	102	7BB100306H1	BB105820			
	103	7BB282308H	BB111240			

- Parts with "*" are component parts or sub-assemblies of the assembly appearing immediately above them.
- Parts with "⊙" indicate regular maintenance parts.

- Parts with Ref.No. indicate maintenance parts and the ones without it indicate out of the above.

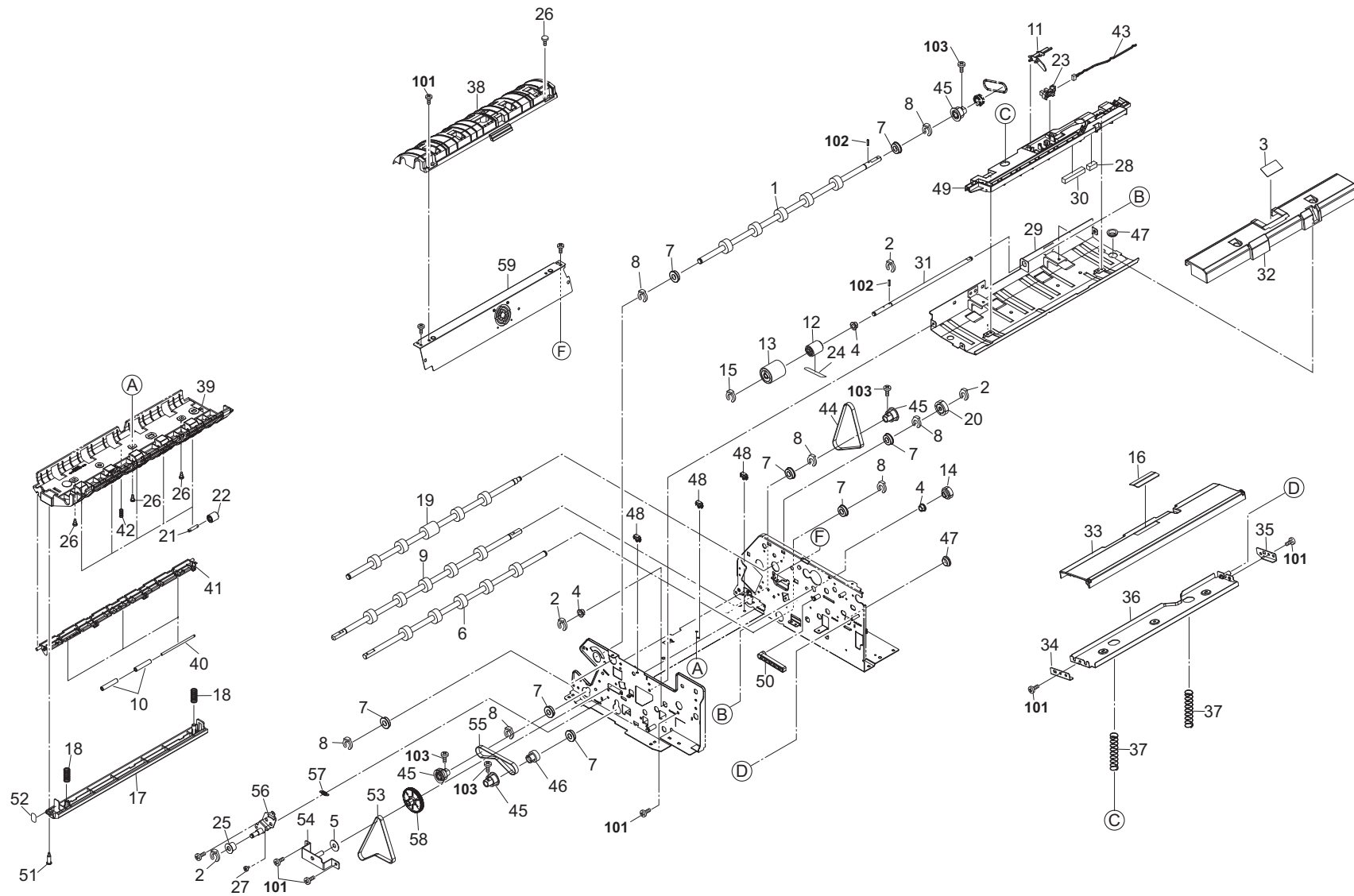


FIG. 4 Paper Conveying Section

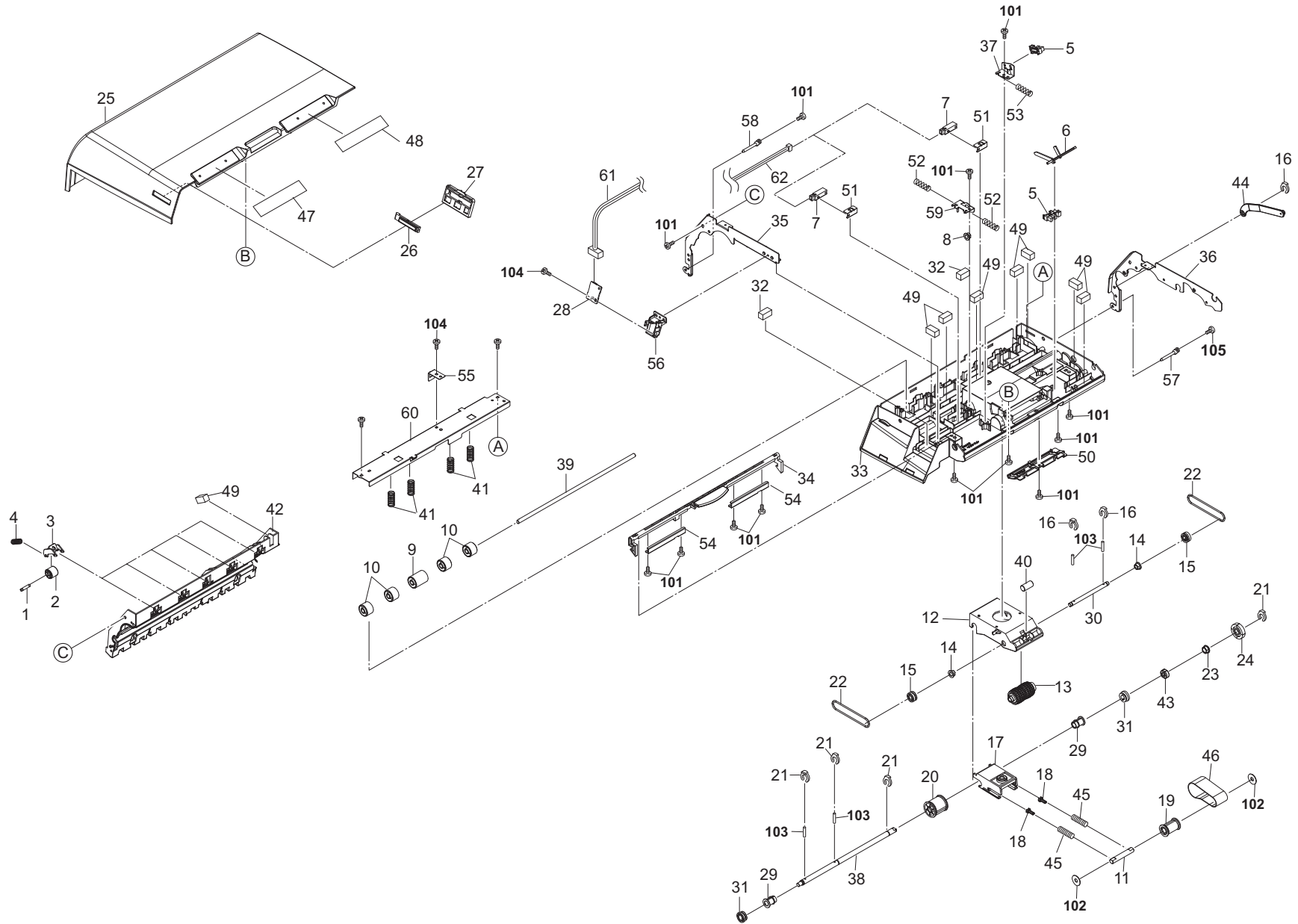
3NV-3

Ref. No.	Part.No.	Alternative.	Description	Quantity		
				120	230	240
⊙ 1	303LL94080	3LL94080	PARTS ROLLER CONVEYING UPPER	1	1	1
2	5MVX111DN003	2A806250	RING STOPPER /A-49 FEED A4	4	4	4
3	303LL07480	3LL07480	FILM SEPARATION	1	1	1
4	302K324450	2K324450	BUSH 6	3	3	3
5	75714210	75714210	COLLAR DEVELOPING UNIT	1	1	1
⊙ 6	303LL94071	3LL94070	PARTS ROLLER CONVEYING RIGHT	1	1	1
7	7BE008165J40H01	BE129560	BEARING 688ZZNR	8	8	8
8	2BC06910	2BC06910	STOPPER 6	7	7	7
⊙ 9	303LL94060	3LL94060	PARTS ROLLER CONVEYING LEFT	1	1	1
10	303LL24190	3LL24190	PULLEY GUIDE READING	6	6	6
11	303LL02130	3LL02130	ACTUATOR LOOP SWITCH	1	1	1
12	303LL07521	3LL07521	TORQUE LIMITER 400	1	1	1
13	303LL07190	3LL07190	PULLEY SEPARATION	1	1	1
⊙ 14	303LL31130	3LL31130	GEAR Z20R SEPARATION	1	1	1
15	5MVL177DN001	2FB06810	RING STOPPER 4	1	1	1
16	303JX06260	3JX06260	PAD LIFT	1	1	1
17	303LL24010	3LL24010	GUIDE READING	1	1	1
18	303LL24140	3LL24140	SPRING READING GUIDE	2	2	2
⊙ 19	303LL94090	3LL94090	PARTS ROLLER REGISTRATION	1	1	1
⊙ 20	303LL31190	3LL31190	GEAR Z25L REGISTRATION	1	1	1
21	3H608150	3H608150	SHAFT C PULLEY	5	5	5
22	303NV24020	3NV24020	PULLEY READING BK	5	5	5
⊙ 23	303M894260	3M894260	PARTS SENSOR OPT SP	1	1	1
24	303MW07060	3MW07060	FILM TORQUE LIMITER	1	1	1
⊙ 25	28801190	48928800	PULLEY,TIMING BELT	1	1	1
26	302FZ03070	2FZ03070	RETAINING PIN DRAWER	4	4	4
27	303CG07031	3CG07031	PIN,PAPER GUIDE	1	1	1
28	303K502070	3K502070	SEAL WIRE	1	1	1
29	303LL02100	3LL02100	GUIDE PAPER FEED	1	1	1
30	303LL02480	3LL02480	SEAL WIRE	1	1	1
31	303LL07180	3LL07180	SHAFT SEPARATION	1	1	1
32	303LL07210	3LL07210	LOWER GUIDE PF	1	1	1
33	303LL07220	3LL07220	GUIDE LIFT PF	1	1	1
34	303LL07230	3LL07230	FRONT PLATE LIFT	1	1	1
35	303LL07240	3LL07240	REAR PLATE LIFT	1	1	1
36	303LL07250	3LL07250	LIFT PLATE PF	1	1	1
37	303LL07270	3LL07270	SPRING LIFT	2	2	2
38	303LL24080	3LL24080	GUIDE CONVEYING UPPER	1	1	1
39	303LL24091	3LL24091	GUIDE CONVEYING LOW	1	1	1
40	303LL24180	3LL24180	SHAFT GUIDE READING	3	3	3
41	303LL24220	3LL24220	HOLDER READ PULLEY	1	1	1
42	303LL24230	3LL24230	SPRING READING PULLEY	1	1	1
43	303NV46060	3NV46060	WIRE TRAYSW	1	1	1
⊙ 44	303LL31320	3LL31320	BELT CONVEYING R	1	1	1
⊙ 45	303LL31330	3LL31330	PULLEY 38 CONVEYING	4	4	4
⊙ 46	303LL31340	3LL31340	PULLEY 20 CONVEYING	1	1	1
47	7YZM110001++H01	YZ009420	ACCESS.BUSHING	2	2	2
48	7YZM610008++H01	YZ037940	ACCESS.SADDLE	3	3	3
49	303LL02120	3LL02120	MOUNT SENSOR	1	1	1
50	303LL07260	3LL07260	LEVER LIFT	1	1	1

Ref. No.	Part.No.	Alternative.	Description	Quantity		
				120	230	240
51	303LL24250	3LL24250	PIN READING GUIDE	1	1	1
52	303LL24280	3LL24280	FILM GUIDE READING	1	1	1
⊙ 53	303LL31060	3LL31060	BELT SHIFT ROLLER	1	1	1
54	303LL31080	3LL31080	MOUNT JAM DIAL	1	1	1
⊙ 55	303LL31310	3LL31310	BELT CONVEYING F	1	1	1
56	303LL31380	3LL31380	PLATE TENSION CONV	1	1	1
57	303LL31390	3LL31390	SPRING TENSION CONV	1	1	1
58	303NV31010	3NV31010	DIAL JAM REMOVAL	1	1	1
59	303LL24070	3LL24070	STAY CONVEYING UPPER	1	1	1
101	7BB700308H	BB105600	+BIND T.T S SCREW 3X8 SR			
102	5MBP2010WXSP	E0020100	SPRING PIN / M2 X 10 S-BLK			
103	7BB600308H1	BB105850	+BIND M SCREW 3X8 R			

- Parts with "*" are component parts or sub-assemblies of the assembly appearing immediately above them.
- Parts with "⊙" indicate regular maintenance parts.

- Parts with Ref.No. indicate maintenance parts and the ones without it indicate out of the above.



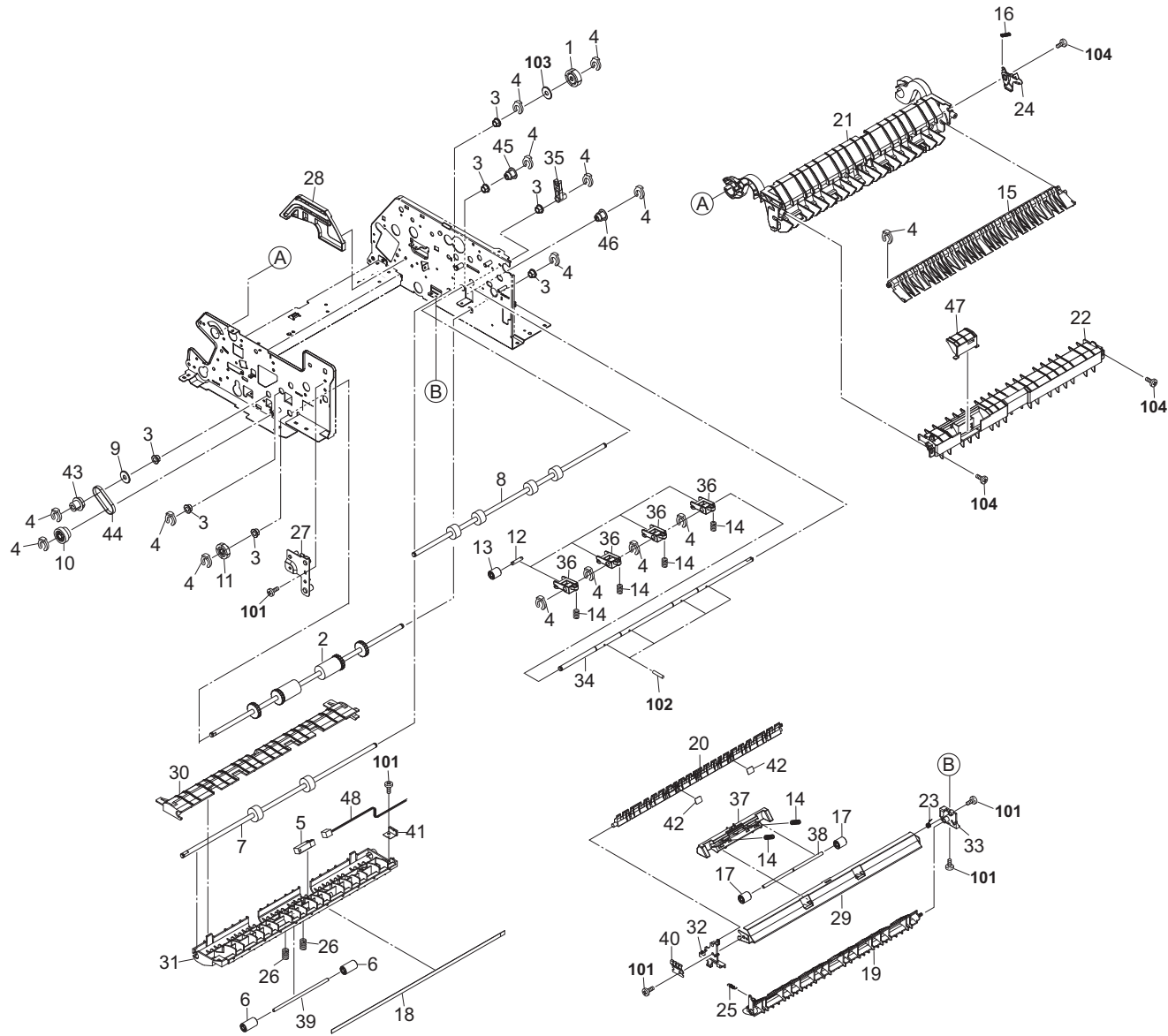


FIG. 6 Duplex Section

3NV-2

Ref. No.	Part.No.	Alternative.	Description	Quantity			
				120	230	240	
⊙	1	303JX31170	3JX31170	GEAR 20 R ONEWAY	1	1	1
⊙	2	303LL94100	3LL94100	PARTS ROLLER EJECT	1	1	1
	3	302K324450	2K324450	BUSH 6	7	7	7
	4	5MVX111DN003	2A806250	RING STOPPER /A-49 FEED A4	15	15	15
⊙	5	303NW94040	3NW94040	PARTS SENSOR OPT. SP	1	1	1
	6	303JX28030	3JX28030	PULLEY EXIT	2	2	2
⊙	7	303LL94120	3LL94120	PARTS ROLLER EJECT SHIFT	1	1	1
⊙	8	303LL94110	3LL94110	PARTS ROLLER LOOP	1	1	1
	9	75714210	75714210	COLLAR DEVELOPING UNIT	1	1	1
⊙	10	303JY31240	3JY31240	GEAR SADDLE A	1	1	1
⊙	11	303LL31500	3LL31500	GEAR EJECT 25	1	1	1
	12	3H608150	3H608150	SHAFT C PULLEY	4	4	4
	13	303NV24020	3NV24020	PULLEY READING BK	4	4	4
	14	303JX24190	3JX24190	SPRING CONVEYING	6	6	6
	15	303LL29060	3LL29060	GUIDE UPPER SHIFT	1	1	1
	16	3HL07240	3HL07240	SPRING HOOK	1	1	1
	17	3HL10140	3HL10140	PULLEY LOOP	2	2	2
⊙	18	303K502130	3K502130	STATIC ELIMINATOR EJECT	1	1	1
	19	303LL29040	3LL29040	GUIDE LOOP SHIFT	1	1	1
	20	303LL29050	3LL29050	GUIDE EJECT SHIFT	1	1	1
	21	303LL29070	3LL29070	GUIDE LOOP REMOVE A	1	1	1
	22	303LL29080	3LL29080	GUIDE LOOP REMOVE B	1	1	1
	23	303LL29210	3LL29210	SPRING SHIFT GUIDE	1	1	1
⊙	24	303LL29230	3LL29230	LEVER UPPER SHIFT	1	1	1
	25	303LL29260	3LL29260	SPRING SHIFT SOLENOID	1	1	1
	26	3HL10120	3HL10120	SPRING,EJECT PULLEY	2	2	2
	27	303LL02070	3LL02070	SUPPORT PLATE TABLE	1	1	1
	28	303LL07450	3LL07450	GUIDE STRAP	1	1	1
	29	303LL29030	3LL29030	STAY LOOP SHIFT	1	1	1
	30	303LL29090	3LL29090	UPPER GUIDE LOOP	1	1	1
	31	303LL29100	3LL29100	LOWER GUIDE LOOP	1	1	1
	32	303LL29110	3LL29110	FRONT HOLDER LOOP SHIFT	1	1	1
	33	303LL29120	3LL29120	REAR HOLDER LOOP SHIFT	1	1	1
	34	303LL29130	3LL29130	SHAFT LOOP PRESSURE	1	1	1
	35	303LL29140	3LL29140	LEVER LOOP PRESSURE	1	1	1
	36	303LL29150	3LL29150	HOLDER LOOP PULLEY	4	4	4
	37	303LL29180	3LL29180	HOLDER SHIFT PULLEY	1	1	1
	38	303LL29190	3LL29190	SHAFT SHIFT PULLEY	1	1	1
	39	303LL29200	3LL29200	SHAFT EJECT PULLEY	1	1	1
	40	303LL29220	3LL29220	GROUND PLATE SHIFT	1	1	1
	41	303LL29240	3LL29240	GROUND PLATE EJECT	1	1	1
	42	303LL29300	3LL29300	FILM SHIFT GUIDE	2	2	2
⊙	43	303LL31050	3LL31050	PULLEY 20/25 SHIFT	1	1	1
	44	303LL31070	3LL31070	BELT EJECT ROLLER	1	1	1
	45	303LL31510	3LL31510	PULLEY LOOP 20	1	1	1
	46	303LL31550	3LL31550	PULLEY LOOP IDLE	1	1	1
	47	303NV29010	3NV29010	HANDLE JAM GUIDE	1	1	1
	48	303NV46040	3NV46040	WIRE EXIT	1	1	1

Ref. No.	Part.No.	Alternative.	Description	Quantity		
				120	230	240
101	7BB700308H	BB105600	+BIND T.T S SCREW 3X8 SR			
102	E5120100	E5120100	PARALLEL PIN H7A 2X10 SUS			
103	7BC06062A0A0H01	BC056490	POLY SLIDER WASHER 6.2X10X1.0T			
104	7BB202308H	BB105690	+TP-FLAT T.T P SCREW 3X8			

- Parts with "*" are component parts or sub-assemblies of the assembly appearing immediately above them.
- Parts with "⊙" indicate regular maintenance parts.

- Parts with Ref.No. indicate maintenance parts and the ones without it indicate out of the above.

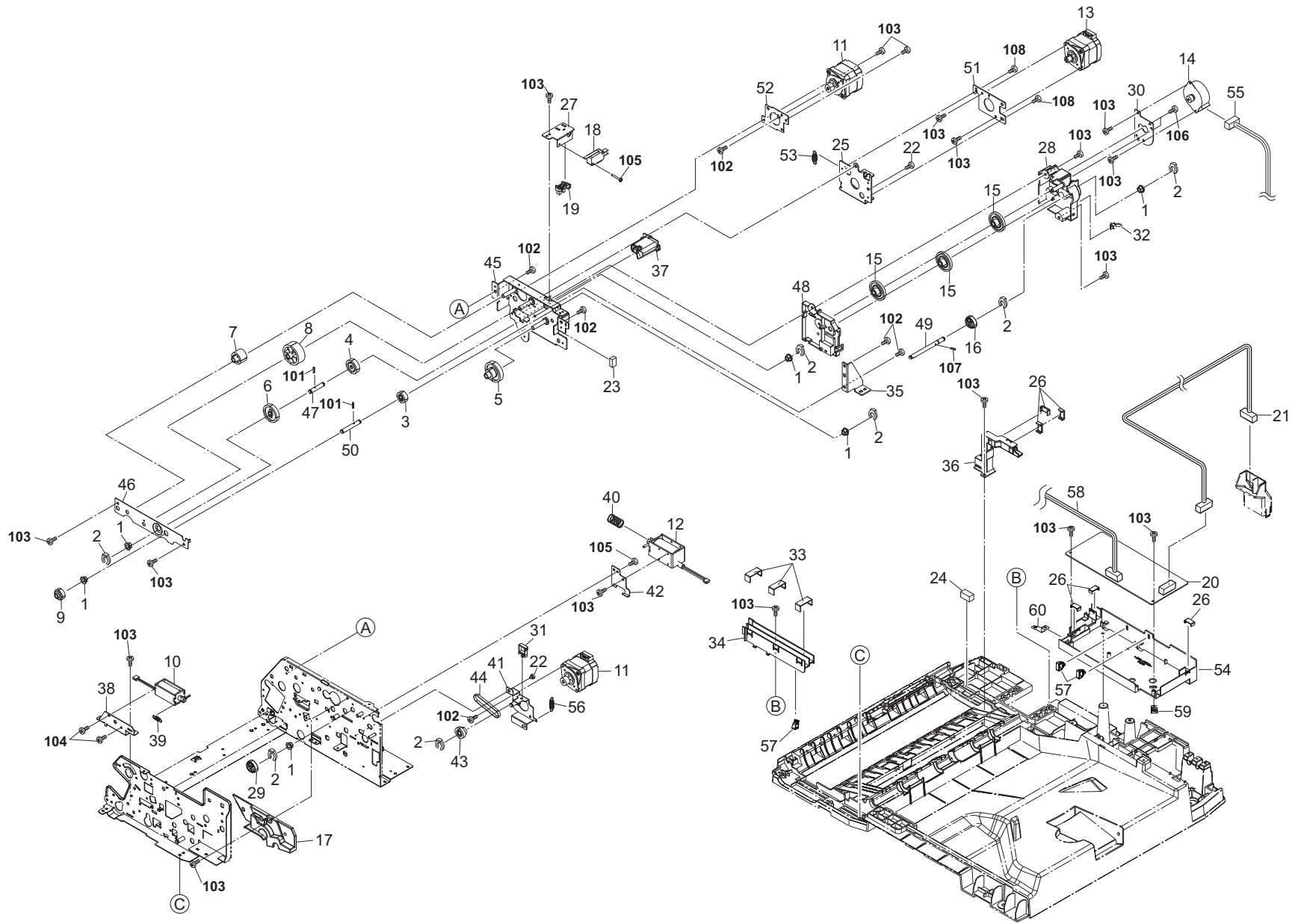


FIG. 7 Drive & Cooling Section

3NV-4

	Ref. No.	Part.No.	Alternative.	Description	Quantity		
					120	230	240
	1	302K324450	2K324450	BUSH 6	6	6	6
	2	5MVX111DN003	2A806250	RING STOPPER /A-49 FEED A4	7	7	7
⊙	3	303LL31100	3LL31100	GEAR Z20L PF	1	1	1
⊙	4	303LL31440	3LL31440	GEAR Z27R ONEWAY	1	1	1
⊙	5	303LL31150	3LL31150	GEAR Z40L Z18L ONEWAY	1	1	1
⊙	6	303LL31140	3LL31140	GEAR Z35L PF	1	1	1
⊙	7	303LL31160	3LL31160	GEAR Z23R PF	1	1	1
⊙	8	303LL31090	3LL31090	GEAR Z41R PF	1	1	1
⊙	9	303LL31170	3LL31170	GEAR Z18L PF	1	1	1
⊙	10	303LL94150	3LL94150	PARTS SOLENOID SHIFT	1	1	1
⊙	11	303NV94010	3NV94010	PARTS MOTOR DP SP	2	2	2
⊙	12	303LL94140	3LL94140	PARTS SOLENOID LOOP	1	1	1
⊙	13	303LL94130	3LL94130	PARTS MOTOR DP	1	1	1
⊙	14	3H627230	3H627230	MOTOR LIFT	1	1	1
⊙	15	303H622331	3H622331	GEAR 20/65 IDLE	3	3	3
⊙	16	303LL31260	3LL31260	GEAR Z32S LIFT	1	1	1
⊙	17	303LL04120	3LL04120	COVER FRAME REAR	1	1	1
⊙	18	2FB27160	2FB27160	INTER LOCK SWITCH	1	1	1
⊙	19	303M894260	3M894260	PARTS SENSOR OPT SP	1	1	1
⊙	20	303NV94020	3NV94020	PARTS PWB DRIVER ASSY SP	1	1	1
	21	303M446010	3M446010	WIRE INTERFACE	1	1	1
	22	303CG07031	3CG07031	PIN,PAPER GUIDE	2	2	2
⊙	23	303H321110	3H321110	CUSHION EJECT GUIDE B	1	1	1
	24	303K502070	3K502070	SEAL WIRE	1	1	1
	25	303LL02310	3LL02310	PLATE CONV DRIVE B	1	1	1
	26	303LL02330	3LL02330	HOLDER WIRE D	6	6	6
	27	303LL07320	3LL07320	MOUNT INTERLOCK SW	1	1	1
	28	303LL31211	3LL31211	MOUNT LIFT DRIVE	1	1	1
	29	303LL31470	3LL31470	CAM LIFT	1	1	1
	30	303LL31540	3LL31540	MOUNT LIFT MOTOR	1	1	1
	31	7YZM610008++H01	YZ037940	ACCESS.SADDLE	1	1	1
	32	M21AH010	M21AH010	BAND,RSG-130-V0(KITAGAWA)	1	1	1
	33	303LL02180	3LL02180	HOLDER WIRE A	3	3	3
	34	303LL02201	3LL02201	MOUNT HINGE WIRE A	1	1	1
	35	303LL02250	3LL02250	STAY HINGE	1	1	1
	36	303LL02320	3LL02320	HOLDER WIRE C	1	1	1
	37	303LL02350	3LL02350	CLOSED BUSHING A	1	1	1
	38	303LL29170	3LL29170	MOUNT SHIFT SOLENOID	1	1	1
	39	303LL29270	3LL29270	SPRING SHIFT SOL B	1	1	1
	40	303LL29290	3LL29290	SPRING LOOP SOL	1	1	1
	41	303LL31010	3LL31010	MOUNT LOOP DRIVE	1	1	1
	42	303LL31020	3LL31020	MOUNT LOOP SOLENOID	1	1	1
	43	303LL31030	3LL31030	PULLEY 21/20 LOOP	1	1	1
⊙	44	303LL31040	3LL31040	BELT LOOP ROLLER	1	1	1
	45	303LL31110	3LL31110	MOUNT PF DRIVE	1	1	1
	46	303LL31120	3LL31120	PLATE PF DRIVE	1	1	1
	47	303LL31200	3LL31200	SHAFT A PF DRIVE	1	1	1
	48	303LL31221	3LL31221	COVER LIFT DRIVE	1	1	1
	49	303LL31280	3LL31280	SHAFT CAM LIFT	1	1	1
	50	303LL31290	3LL31290	SHAFT B PF DRIVE	1	1	1

	Ref. No.	Part.No.	Alternative.	Description	Quantity		
					120	230	240
	51	303LL31300	3LL31300	MOUNT CONV DRIVE	1	1	1
	52	303LL31460	3LL31460	MOUNT MOTOR PF	1	1	1
	53	303LL31530	3LL31530	SPRING C MOTOR	1	1	1
	54	303NV02030	3NV02030	MOUNT PWB	1	1	1
	55	303NV46050	3NV46050	WIRE MOTOR	1	1	1
	56	3H622270	3H622270	SPRING C MOTOR	1	1	1
	57	7YZM610010++H01	YZ042990	ACCESS.SADDLE	3	3	3
	58	303NV46010	3NV46010	WIRE INTERLOCK	1	1	1
	59	303NV02060	3NV02060	PLATE EARTH PWB B	1	1	1
	60	303NV02040	3NV02040	PLATE EARTH PWB	1	1	1
	101	5MBP2010WXSP	E0020100	SPRING PIN / M2 X 10 S-BLK			
	102	7BB100306H1	BB105820	+BIND T.T S SCREW 3X6			
	103	7BB700308H	BB105600	+BIND T.T S SCREW 3X8 SR			
	104	7BB000303H	BB107000	+BIND M SCREW 3X3			
	105	7BB700320H	BB105620	+BIND T.T S SCREW 3X20 SR			
	106	7BB200308H	BB105660	+BIND T.T P SCREW 3X8			
	107	E5120100	E5120100	PARALLEL PIN H7A 2X10 SUS			
	108	7BB606306H	BB105260	+PAN M SCREW WITH SW W 3X6 R			

- Parts with "*" are component parts or sub-assemblies of the assembly appearing immediately above them.
- Parts with "⊙" indicate regular maintenance parts.

- Parts with Ref.No. indicate maintenance parts and the ones without it indicate out of the above.

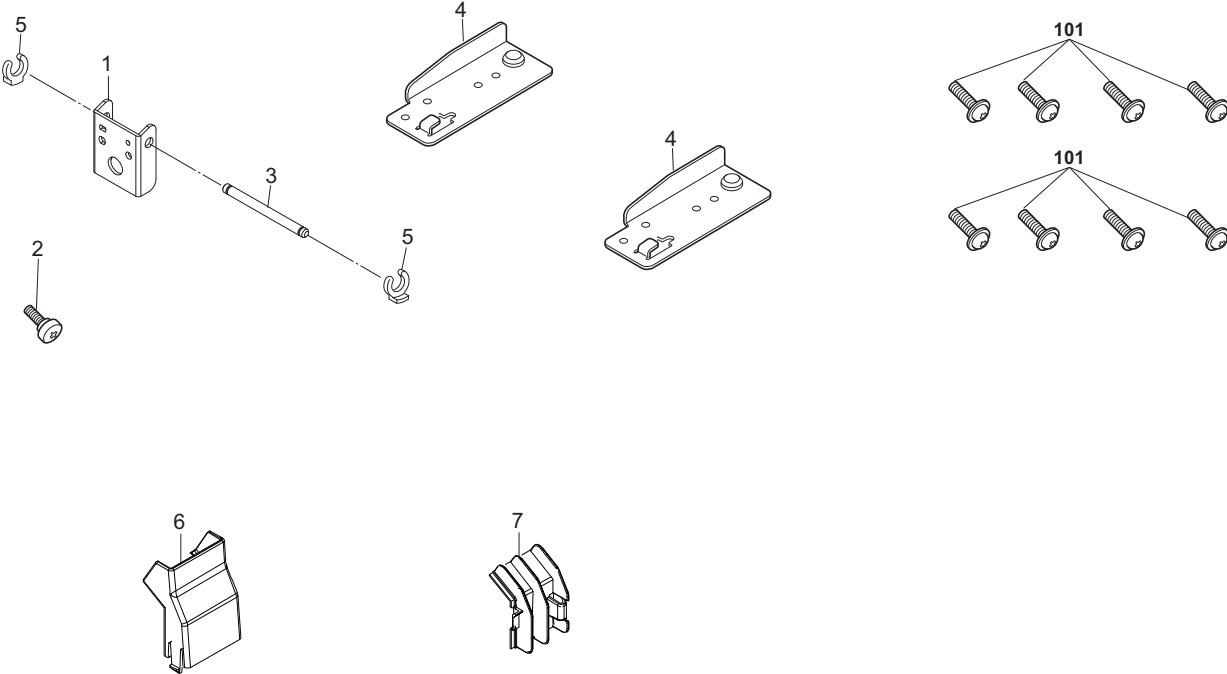


FIG. 8 Accessories

3NV-3

Ref. No.	Part.No.	Alternative.	Description	Quantity		
				120	230	240
1	303JX02181	3JX02181	PLATE ANGLE	1	1	1
2	303JX02260	3JX02260	PIN HINGE	1	1	1
3	303JX02391	3JX02391	SHAFT ANGLE RESTRICTION	1	1	1
4	303LL02380	3LL02380	PLATE GUIDE HINGE	2	2	2
5	5MVX111DN003	2A806250	RING STOPPER /A-49 FEED A4	2	2	2
⊙ 6	303P204010	3P204010	COVER WIRE INTERFACE A	1	1	1
⊙ 7	303P204020	3P204020	COVER WIRE INTERFACE B	1	1	1

Ref. No.	Part.No.	Alternative.	Description	Quantity		
				120	230	240
101	7BB607414H	BB107160	+TP-CUP M SCREW 4X14 R			

- Parts with "*" are component parts or sub-assemblies of the assembly appearing immediately above them.
- Parts with "⊙" indicate regular maintenance parts.

- Parts with Ref.No. indicate maintenance parts and the ones without it indicate out of the above.

	Part.No.	Alternative.	Description	Fig.No.
⊙	28107310	49028101	BUSH 8	5
	28801190	48928800	PULLEY,TIMING BELT	4
	2BC06910	2BC06910	STOPPER 6	4,5
⊙	2FB27160	2FB27160	INTER LOCK SWITCH	7
	302FZ03070	2FZ03070	RETAINING PIN DRAWER	2,4
	302H012330	2H012330	SEAL WIRE A	3,5
	302H702590	2H702590	BUSH SCREW	5
	302K324450	2K324450	BUSH 6	4,5,6,7
⊙	303CG07031	3CG07031	PIN,PAPER GUIDE	4,7
	303H321110	3H321110	CUSHION EJECT GUIDE B	7
	303H604090	3H604090	CLOTH CLEANING	1
	303H605110	3H605110	LABEL MSP A	3
	303H605240	3H605240	LABEL MSP(CHN)	3
⊙	303H607131	3H607131	BUSHING PF HOLDER	5
	303H608091	3H608091	HOLDER C PULLEY	5
⊙	303H622331	3H622331	GEAR 20/65 IDLE	7
	303J902370	3J902370	CUSHION ORIGINAL MAT	2
	303JC04200	3JC04200	PLATE ORIGINAL	1
	303JX02090	3JX02090	SPRING PUSH SW	2
	303JX02181	3JX02181	PLATE ANGLE	8
	303JX02260	3JX02260	PIN HINGE	8
	303JX02391	3JX02391	SHAFT ANGLE RESTRICTION	8
	303JX06070	3JX06070	PINION GEAR	3
	303JX06260	3JX06260	PAD LIFT	4
	303JX07030	3JX07030	HOLDER PF	5
	303JX07260	3JX07260	SHAFT LF	5
	303JX07321	3JX07321	SHAFT BELT	5
	303JX07370	3JX07370	V PULLEY A	5
⊙	303JX07380	3JX07380	V PULLEY B	5
	303JX24190	3JX24190	SPRING CONVEYING	6
	303JX28030	3JX28030	PULLEY EXIT	6
⊙	303JX31170	3JX31170	GEAR 20 R ONEWAY	6
⊙	303JY31240	3JY31240	GEAR SADDLE A	6
	303K502070	3K502070	SEAL WIRE	2,3,4,5,7
⊙	303K502130	3K502130	STATIC ELIMINATOR EJECT	6
	303LK02030	3LK02030	HINGE RIGHT	2
	303LL02011	3LL02011	BASE DP	2
	303LL02020	3LL02020	HINGE LEFT	2
	303LL02041	3LL02041	FRAME FRONT	2
	303LL02050	3LL02050	FRAME REAR	2
	303LL02060	3LL02060	MOUNT SPONGE	2
	303LL02070	3LL02070	SUPPORT PLATE TABLE	6
	303LL02080	3LL02080	SHEET LEFT GUIDE A	2
	303LL02100	3LL02100	GUIDE PAPER FEED	4
	303LL02120	3LL02120	MOUNT SENSOR	4
	303LL02130	3LL02130	ACTUATOR LOOP SWITCH	4
	303LL02150	3LL02150	HOLDER SPRING PUSH SW	2
	303LL02180	3LL02180	HOLDER WIRE A	7
	303LL02190	3LL02190	PIN PF COVER	5
	303LL02201	3LL02201	MOUNT HINGE WIRE A	7

	Part.No.	Alternative.	Description	Fig.No.
	303LL02210	3LL02210	COVER SENSOR	2
	303LL02230	3LL02230	PLATE SENSOR	2
	303LL02250	3LL02250	STAY HINGE	7
	303LL02260	3LL02260	STAY FRAME REAR	2
	303LL02270	3LL02270	HOLDER WIRE B	2
	303LL02280	3LL02280	MOUNT SPONGE B	2
	303LL02310	3LL02310	PLATE CONV DRIVE B	7
	303LL02320	3LL02320	HOLDER WIRE C	7
	303LL02330	3LL02330	HOLDER WIRE D	7
	303LL02340	3LL02340	STAY BASE	2
	303LL02350	3LL02350	CLOSED BUSHING A	7
	303LL02370	3LL02370	PLATE SCREW	2
	303LL02380	3LL02380	PLATE GUIDE HINGE	8
	303LL02390	3LL02390	PUSH SW	2
	303LL02410	3LL02410	MOUNT CUSHION	2
	303LL02430	3LL02430	SPRING PUSH MAT	2
	303LL02470	3LL02470	GROUND TIMING SW	2
	303LL02480	3LL02480	SEAL WIRE	2,4
	303LL02490	3LL02490	PIN PF COVER FRONT	5
	303LL02520	3LL02520	GROUND PLATE HINGE	2
	303LL02530	3LL02530	CUSHION ORIGINAL MAT	2
⊙	303LL04040	3LL04040	LID REAR COVER	1
⊙	303LL04050	3LL04050	HANDLE DP	1
⊙	303LL04061	3LL04061	STOPPER EJECT ORIGINAL	1
⊙	303LL04070	3LL04070	COVER BOTTOM	2
⊙	303LL04080	3LL04080	COVER FRONT B	1
⊙	303LL04100	3LL04100	COVER BOTTOM RIGHT	2
⊙	303LL04120	3LL04120	COVER FRAME REAR	7
	303LL06031	3LL06031	FRONT CURSOR	3
	303LL06050	3LL06050	COVER CURSOR	3
	303LL06090	3LL06090	MOUNT ORIGINAL SENSOR	3
	303LL06100	3LL06100	COVER TABLE WIRE	3
	303LL06110	3LL06110	STRAP TABLE	3
	303LL07010	3LL07010	RIGHT GUIDE PF	5
⊙	303LL07020	3LL07020	HANDLE PF COVER	5
	303LL07040	3LL07040	FRONT PLATE UPPER GUIDE	5
	303LL07050	3LL07050	REAR PLATE UPPER GUIDE	5
	303LL07060	3LL07060	FRONT PLATE PF ROLLER	5
	303LL07080	3LL07080	MOUNT PF SENSOR	5
	303LL07100	3LL07100	MOUNT REGISTRATION SPRING	5
	303LL07110	3LL07110	FRONT SHAFT PF ROLLER	5
	303LL07130	3LL07130	SHAFT REGISTRATION PULLEY	5
	303LL07140	3LL07140	HOLDER LF	5
	303LL07150	3LL07150	WEIGHT LF	5
	303LL07170	3LL07170	SPRING REGISTRATION	5
	303LL07180	3LL07180	SHAFT SEPARATION	4
	303LL07190	3LL07190	PULLEY SEPARATION	4
	303LL07210	3LL07210	LOWER GUIDE PF	4
	303LL07220	3LL07220	GUIDE LIFT PF	4
	303LL07230	3LL07230	FRONT PLATE LIFT	4

• Parts with "⊙" indicate regular maintenance parts.

Part.No.	Alternative.	Description	Fig.No.	Part.No.	Alternative.	Description	Fig.No.
303LL07240	3LL07240	REAR PLATE LIFT	4	303LL29110	3LL29110	FRONT HOLDER LOOP SHIFT	6
303LL07250	3LL07250	LIFT PLATE PF	4	303LL29120	3LL29120	REAR HOLDER LOOP SHIFT	6
303LL07260	3LL07260	LEVER LIFT	4	303LL29130	3LL29130	SHAFT LOOP PRESSURE	6
303LL07270	3LL07270	SPRING LIFT	4	303LL29140	3LL29140	LEVER LOOP PRESSURE	6
303LL07280	3LL07280	ACTUATOR SET	5	303LL29150	3LL29150	HOLDER LOOP PULLEY	6
303LL07300	3LL07300	LEFT GUIDE PF	5	303LL29170	3LL29170	MOUNT SHIFT SOLENOID	7
303LL07320	3LL07320	MOUNT INTERLOCK SW	7	303LL29180	3LL29180	HOLDER SHIFT PULLEY	6
303LL07330	3LL07330	GUIDE PF SHAFT	5	303LL29190	3LL29190	SHAFT SHIFT PULLEY	6
303LL07340	3LL07340	SPACER PF ROLLER	5	303LL29200	3LL29200	SHAFT EJECT PULLEY	6
303LL07400	3LL07400	GROUND PLATE FEED SW	5	303LL29210	3LL29210	SPRING SHIFT GUIDE	6
303LL07410	3LL07410	SPRING GND	5	303LL29220	3LL29220	GROUND PLATE SHIFT	6
303LL07420	3LL07420	SPRING HOOK	5	303LL29230	3LL29230	LEVER UPPER SHIFT	6
303LL07430	3LL07430	STRAP PF A	5	303LL29240	3LL29240	GROUND PLATE EJECT	6
303LL07450	3LL07450	GUIDE STRAP	6	303LL29260	3LL29260	SPRING SHIFT SOLENOID	6
303LL07471	3LL07471	SPRING PF	5	303LL29270	3LL29270	SPRING SHIFT SOL B	7
303LL07480	3LL07480	FILM SEPARATION	4	303LL29290	3LL29290	SPRING LOOP SOL	7
303LL07490	3LL07490	BELT LF	5	303LL29300	3LL29300	FILM SHIFT GUIDE	6
303LL07500	3LL07500	STAY PF LEVER	5	303LL31010	3LL31010	MOUNT LOOP DRIVE	7
303LL07510	3LL07510	PLATE LEFT GUIDE	5	303LL31020	3LL31020	MOUNT LOOP SOLENOID	7
303LL07521	3LL07521	TORQUE LIMITER 400	4	303LL31030	3LL31030	PULLEY 21/20 LOOP	7
303LL07531	3LL07531	BELT PF	5	303LL31040	3LL31040	BELT LOOP ROLLER	7
303LL24010	3LL24010	GUIDE READING	4	303LL31050	3LL31050	PULLEY 20/25 SHIFT	6
303LL24060	3LL24060	STAY CONVEYING LOWER	2	303LL31060	3LL31060	BELT SHIFT ROLLER	4
303LL24070	3LL24070	STAY CONVEYING UPPER	4	303LL31070	3LL31070	BELT EJECT ROLLER	6
303LL24080	3LL24080	GUIDE CONVEYING UPPER	4	303LL31080	3LL31080	MOUNT JAM DIAL	4
303LL24091	3LL24091	GUIDE CONVEYING LOW	4	303LL31090	3LL31090	GEAR Z41R PF	7
303LL24100	3LL24100	HOLDER LEFT PULLEY	2	303LL31100	3LL31100	GEAR Z20L PF	7
303LL24110	3LL24110	HOLDER RIGHT PULLEY	2	303LL31110	3LL31110	MOUNT PF DRIVE	7
303LL24120	3LL24120	SPRING PULLEY CONV LEFT	2	303LL31120	3LL31120	PLATE PF DRIVE	7
303LL24130	3LL24130	SPRING PULLEY CONV R	2	303LL31130	3LL31130	GEAR Z20R SEPARATION	4
303LL24140	3LL24140	SPRING READING GUIDE	4	303LL31140	3LL31140	GEAR Z35L PF	7
303LL24160	3LL24160	GUIDE RIGHT READING	2	303LL31150	3LL31150	GEAR Z40L Z18L ONEWAY	7
303LL24170	3LL24170	GUIDE CONVEYING MID	2	303LL31160	3LL31160	GEAR Z23R PF	7
303LL24180	3LL24180	SHAFT GUIDE READING	4	303LL31170	3LL31170	GEAR Z18L PF	7
303LL24190	3LL24190	PULLEY GUIDE READING	4	303LL31180	3LL31180	GEAR Z23R PF	5
303LL24200	3LL24200	MOUNT READING SW	2	303LL31190	3LL31190	GEAR Z25L REGISTRATION	4
303LL24211	3LL24211	MOUNT RIGHT PULLEY	2	303LL31200	3LL31200	SHAFT A PF DRIVE	7
303LL24220	3LL24220	HOLDER READ PULLEY	4	303LL31211	3LL31211	MOUNT LIFT DRIVE	7
303LL24230	3LL24230	SPRING READING PULLEY	4	303LL31221	3LL31221	COVER LIFT DRIVE	7
303LL24250	3LL24250	PIN READING GUIDE	4	303LL31260	3LL31260	GEAR Z32S LIFT	7
303LL24260	3LL24260	GROUND MOUNT R PULLEY	2	303LL31280	3LL31280	SHAFT CAM LIFT	7
303LL24280	3LL24280	FILM GUIDE READING	4	303LL31290	3LL31290	SHAFT B PF DRIVE	7
303LL29030	3LL29030	STAY LOOP SHIFT	6	303LL31300	3LL31300	MOUNT CONV DRIVE	7
303LL29040	3LL29040	GUIDE LOOP SHIFT	6	303LL31310	3LL31310	BELT CONVEYING F	4
303LL29050	3LL29050	GUIDE EJECT SHIFT	6	303LL31320	3LL31320	BELT CONVEYING R	4
303LL29060	3LL29060	GUIDE UPPER SHIFT	6	303LL31330	3LL31330	PULLEY 38 CONVEYING	4
303LL29070	3LL29070	GUIDE LOOP REMOVE A	6	303LL31340	3LL31340	PULLEY 20 CONVEYING	4
303LL29080	3LL29080	GUIDE LOOP REMOVE B	6	303LL31380	3LL31380	PLATE TENSION CONV	4
303LL29090	3LL29090	UPPER GUIDE LOOP	6	303LL31390	3LL31390	SPRING TENSION CONV	4
303LL29100	3LL29100	LOWER GUIDE LOOP	6	303LL31440	3LL31440	GEAR Z27R ONEWAY	7

• Parts with "⊙" indicate regular maintenance parts.

	Part.No.	Alternative.	Description	Fig.No.		Part.No.	Alternative.	Description	Fig.No.
	303LL31460	3LL31460	MOUNT MOTOR PF	7		303NV07020	3NV07020	COLLAR PF C	5
	303LL31470	3LL31470	CAM LIFT	7		303NV24010	3NV24010	PULLEY CONVEYING BK	5
⊙	303LL31500	3LL31500	GEAR EJECT 25	6		303NV24020	3NV24020	PULLEY READING BK	2,4,6
	303LL31510	3LL31510	PULLEY LOOP 20	6		303NV29010	3NV29010	HANDLE JAM GUIDE	6
	303LL31530	3LL31530	SPRING C MOTOR	7		303NV31010	3NV31010	DIAL JAM REMOVAL	4
	303LL31540	3LL31540	MOUNT LIFT MOTOR	7		303NV34020	3NV34020	LABEL CAUTION IN	3
	303LL31550	3LL31550	PULLEY LOOP IDLE	6		303NV34030	3NV34030	LABEL CAUTION ME	3
⊙	303LL34010	3LL34010	LABEL SIZE DIRECTION METRIC	5		303NV34040	3NV34040	LABEL JAM	1
⊙	303LL34020	3LL34020	LABEL SIZE DIRECTION INCH	5		303NV34060	3NV34060	LABEL CAUTION SET IN	3
	303LL34190	3LL34190	LABEL FACE UP 7NATIONS	3		303NV34070	3NV34070	LABEL CAUTION SET ME	3
	303LL34250	3LL34250	LABEL CAUTION	1		303NV46010	3NV46010	WIRE INTERLOCK	7
⊙	303LL94031	3LL94031	PARTS MAT ASSY	1		303NV46020	3NV46020	WIRE FEED UNIT	5
⊙	303LL94060	3LL94060	PARTS ROLLER CONVEYING LEFT	4		303NV46030	3NV46030	WIRE TABLE UNIT	3
⊙	303LL94071	3LL94070	PARTS ROLLER CONVEYING RIGHT	4		303NV46040	3NV46040	WIRE EXIT	6
⊙	303LL94080	3LL94080	PARTS ROLLER CONVEYING UPPER	4		303NV46050	3NV46050	WIRE MOTOR	7
⊙	303LL94090	3LL94090	PARTS ROLLER REGISTRATION	4		303NV46060	3NV46060	WIRE TRAYSW	4
⊙	303LL94100	3LL94100	PARTS ROLLER EJECT	6		303NV46070	3NV46070	WIRE CCDTMG	2
⊙	303LL94110	3LL94110	PARTS ROLLER LOOP	6		303NV46080	3NV46080	WIRE SOL	2
⊙	303LL94120	3LL94120	PARTS ROLLER EJECT SHIFT	6		303NV46090	3NV46090	WIRE LED	5
⊙	303LL94130	3LL94130	PARTS MOTOR DP	7		303NV46100	3NV46100	WIRE LED	2
⊙	303LL94140	3LL94140	PARTS SOLENOID LOOP	7	⊙	303NV94010	3NV94010	PARTS MOTOR DP SP	7
⊙	303LL94150	3LL94150	PARTS SOLENOID SHIFT	7	⊙	303NV94020	3NV94020	PARTS PWB DRIVER ASSY SP	7
	303M407300	3M407300	LENS LED	5	⊙	303NW94040	3NW94040	PARTS SENSOR OPT. SP	2,5,6
	303M407400	3M407400	HOLDER LENS	5	⊙	303NW94050	3NW94050	PARTS SENSOR OPT. SP	3
	303M407480	3M407480	PULLEY LF	5	⊙	303P204010	3P204010	COVER WIRE INTERFACE A	8
	303M424300	3M424300	PULLEY REGISTRATION BK	5	⊙	303P204020	3P204020	COVER WIRE INTERFACE B	8
	303M424310	3M424310	PULLEY REG B BK	5	⊙	303P234020	3P234020	LABEL ORIGINAL MAX	3
	303M434040	3M434040	LABEL C	1	⊙	3H602250	3H602250	CUSHION RUBBER	2
	303M446010	3M446010	WIRE INTERFACE	7		3H607040	3H607040	COLLAR PF B	5
	303M802320	3M802320	SPONGE ORIGINAL MAT A	2		3H607240	3H607240	GUIDE PF SPRING	5
⊙	303M894100	3M894100	PARTS PWB LED ASSY SP	5		3H608150	3H608150	SHAFT C PULLEY	2,4,5,6
⊙	303M894260	3M894260	PARTS SENSOR OPT SP	2,4,5,7		3H608230	3H608230	SPRING C PULLEY	5
⊙	303M894270	3M894270	PARTS PWB SIZE DETECTION ASSY SP	3		3H622270	3H622270	SPRING C MOTOR	7
	303MW07060	3MW07060	FILM TORQUE LIMITER	4	⊙	3H627230	3H627230	MOTOR LIFT	7
	303MX02021	3MX02021	CUSHION ORIGINAL MAT A	1		3HL06090	3HL06090	CUSHION CURSOR	3
	303NV02030	3NV02030	MOUNT PWB	7		3HL06110	3HL06110	TERMINAL PAPER SIZE	3
	303NV02040	3NV02040	PLATE EARTH PWB	7		3HL07240	3HL07240	SPRING HOOK	6
	303NV02050	3NV02050	TRAY LOOP	2		3HL10120	3HL10120	SPRING,EJECT PULLEY	6
	303NV02060	3NV02060	PLATE EARTH PWB B	7		3HL10140	3HL10140	PULLEY LOOP	6
	303NV02070	3NV02070	CUSHION BASE	2		5MVL177DN001	2FB06810	RING STOPPER 4	4
⊙	303NV04011	3NV04011	COVER FRONT	1		5MVX111DN003	2A806250	RING STOPPER /A-49 FEED A4	4,5,6,7,8
⊙	303NV04021	3NV04021	COVER REAR	1		75714210	75714210	COLLAR DEVELOPING UNIT	4,6
⊙	303NV04031	3NV04031	COVER PF	5		7BE008165J40H01	BE129560	BEARING 688ZZNR	4
	303NV04050	3NV04050	SHEET BASE	2		7YZM110001++H01	YZ009420	ACCESS.BUSHING	4
	303NV06010	3NV06010	BASE TABLE	3		7YZM390011++H01	YZ050250	ACCESS.CLAMP	2
	303NV06031	3NV06031	SUB TABLE	3		7YZM610008++H01	YZ037940	ACCESS.SADDLE	4,7
	303NV06041	3NV06041	COVER TABLE	3		7YZM610010++H01	YZ042990	ACCESS.SADDLE	7
	303NV06060	3NV06060	BUSH TABLE	3		M21AH010	M21AH010	BAND,RSG-130-V0(KITAGAWA)	7
	303NV06070	3NV06070	CURSOR REAR B	3					
	303NV07010	3NV07010	MOUNT LED	5					

• Parts with "⊙" indicate regular maintenance parts.

KYOCERA Document Solutions America, Inc.**Headquarters**

225 Sand Road,
Fairfield, New Jersey 07004-0008, USA
Phone: +1-973-808-8444
Fax: +1-973-882-6000

Latin America

8240 NW 52nd Terrace Dawson Building, Suite 100
Miami, Florida 33166, USA
Phone: +1-305-421-6640
Fax: +1-305-421-6666

KYOCERA Document Solutions Canada, Ltd.

6120 Kestrel Rd., Mississauga, ON L5T 1S8,
Canada
Phone: +1-905-670-4425
Fax: +1-905-670-8116

**KYOCERA Document Solutions
Mexico, S.A. de C.V.**

Calle Arquimedes No. 130, 4 Piso, Colonia Polanco
Chapultepec, Delegacion Miguel Hidalgo,
Distrito Federal, C.P. 11560, México
Phone: +52-555-383-2741
Fax: +52-555-383-7804

KYOCERA Document Solutions Brazil, Ltda.

Av.Tambore,1180 Mod.B-09 CEP 06460-000
Tambore-Barueri-SP, Brazil
Phone: +55-11-4195-8496
Fax: +55-11-4195-6167

**KYOCERA Document Solutions
Australia Pty. Ltd.**

Level 3, 6-10 Talavera Road North Ryde N.S.W, 2113,
Australia
Phone: +61-2-9888-9999
Fax: +61-2-9888-9588

**KYOCERA Document Solutions
New Zealand Ltd.**

1-3 Parkhead Place, Albany, Auckland 1330,
New Zealand
Phone: +64-9-415-4517
Fax: +64-9-415-4597

KYOCERA Document Solutions Asia Limited

16/F.,Mita Centre, 552-566, Castle Peak Road
Tsuenwan, NT, Hong Kong
Phone: +852-2610-2181
Fax: +852-2610-2063

**KYOCERA Document Solutions
(Thailand) Corp., Ltd.**

335 Ratchadapisek Road, Bangsue, Bangkok 10800,
Thailand
Phone: +66-2-586-0333
Fax: +66-2-586-0278

**KYOCERA Document Solutions
Singapore Pte. Ltd.**

12 Tai Seng Street #04-01A,
Luxasia Building, Singapore 534118
Phone: +65-6741-8733
Fax: +65-6748-3788

**KYOCERA Document Solutions
Hong Kong Limited**

16/F.,Mita Centre, 552-566, Castle Peak Road
Tsuenwan, NT, Hong Kong
Phone: +852-2429-7422
Fax: +852-2423-2159

**KYOCERA Document Solutions
Taiwan Corporation**

6F., No.37, Sec. 3, Minquan E. Rd.,
Zhongshan Dist., Taipei 104, Taiwan R.O.C.
Phone: +886-2-2507-6709
Fax: +886-2-2507-8432

KYOCERA Document Solutions Korea Co., Ltd.

18F, Kangnam bldg, 1321-1,
Seocho-Dong, Seocho-Gu, Seoul, Korea
Phone: +822-6933-4050
Fax: +822-747-0084

**KYOCERA Document Solutions
India Private Limited**

First Floor, ORCHID CENTRE
Sector-53, Golf Course Road, Gurgaon 122 002,
India
Phone: +91-0124-4671000
Fax: +91-0124-4671001

KYOCERA Document Solutions Europe B.V.

Bloemlaan 4, 2132 NP Hoofddorp,
The Netherlands
Phone: +31-20-654-0000
Fax: +31-20-653-1256

KYOCERA Document Solutions Nederland B.V.

Beechavenue 25, 1119 RA Schiphol-Rijk,
The Netherlands
Phone: +31-20-5877200
Fax: +31-20-5877260

KYOCERA Document Solutions (U.K.) Limited

Eldon Court, 75-77 London Road,
Reading, Berkshire RG1 5BS,
United Kingdom
Phone: +44-118-931-1500
Fax: +44-118-931-1108

KYOCERA Document Solutions Italia S.p.A.

Via Verdi, 89/91 20063 Cernusco s/N.(MI),
Italy
Phone: +39-02-921791
Fax: +39-02-92179-600

KYOCERA Document Solutions Belgium N.V.

Sint-Martinusweg 199-201 1930 Zaventem,
Belgium
Phone: +32-2-7209270
Fax: +32-2-7208748

KYOCERA Document Solutions France S.A.S.

Espace Technologique de St Aubin
Route de l'Orme 91195 Gif-sur-Yvette CEDEX,
France
Phone: +33-1-69852600
Fax: +33-1-69853409

KYOCERA Document Solutions Espana, S.A.

Edificio Kyocera, Avda. de Manacor No.2,
28290 Las Matas (Madrid), Spain
Phone: +34-91-6318392
Fax: +34-91-6318219

KYOCERA Document Solutions Finland Oy

Atomitie 5C, 00370 Helsinki,
Finland
Phone: +358-9-47805200
Fax: +358-9-47805390

**KYOCERA Document Solutions
Europe B.V., Amsterdam (NL) Zürich Branch**

Hohlstrasse 614, 8048 Zürich,
Switzerland
Phone: +41-44-9084949
Fax: +41-44-9084950

Deutschland GmbH

Otto-Hahn-Strasse 12, 40670 Meerbusch,
Germany
Phone: +49-2159-9180
Fax: +49-2159-918100

KYOCERA Document Solutions Austria GmbH

Eduard-Kittenberger-Gasse 95, 1230 Vienna,
Austria
Phone: +43-1-863380
Fax: +43-1-86338-400

KYOCERA Document Solutions Nordic AB

Esbogatan 16B 164 75 Kista, Sweden
Phone: +46-8-546-550-00
Fax: +46-8-546-550-10

KYOCERA Document Solutions Norge Nuf

Postboks 150 Oppsal, 0619 Oslo,
Norway
Phone: +47-22-62-73-00
Fax: +47-22-62-72-00

KYOCERA Document Solutions Danmark A/S

Ejby Industrivej 60, DK-2600 Glostrup,
Denmark
Phone: +45-70223880
Fax: +45-45765850

KYOCERA Document Solutions Portugal Lda.

Rua do Centro Cultural, 41 (Alvalade) 1700-106 Lisboa,
Portugal
Phone: +351-21-843-6780
Fax: +351-21-849-3312

KYOCERA Document Solutions**South Africa (Pty) Ltd.**

KYOCERA House, Hertford Office Park,
90 Bekker Road (Cnr. Allandale), Midrand, South Africa.
Phone: +27-11-540-2600
Fax: +27-11-466-3050

KYOCERA Document Solutions Russia LLC

Botanichesky pereulok 5, Moscow, 129090,
Russia
Phone: +7(495)741-0004
Fax: +7(495)741-0018

KYOCERA Document Solutions Middle East

Dubai Internet City, Bldg. 17,
Office 157 P.O. Box 500817, Dubai,
United Arab Emirates
Phone: +971-04-433-0412

KYOCERA Document Solutions Inc.

2-28, 1-chome, Tamatsukuri, Chuo-ku
Osaka 540-8585, Japan
Phone: +81-6-6764-3555
<http://www.kyoceradocumentsolutions.com>

© 2013 KYOCERA Document Solutions Inc.

 is a trademark of KYOCERA Corporation