



DP-670

PARTS LIST

Published in June 2007

3K5PL070

843K5120

First Edition

—— CONTENTS ——

FIG. 1	Covers	2
FIG. 2	Frames	4
FIG. 3	Paper Feed Section	6
FIG. 4	Paper Conveying Section	8
FIG. 5	Accessories	10
	• INDEX	12

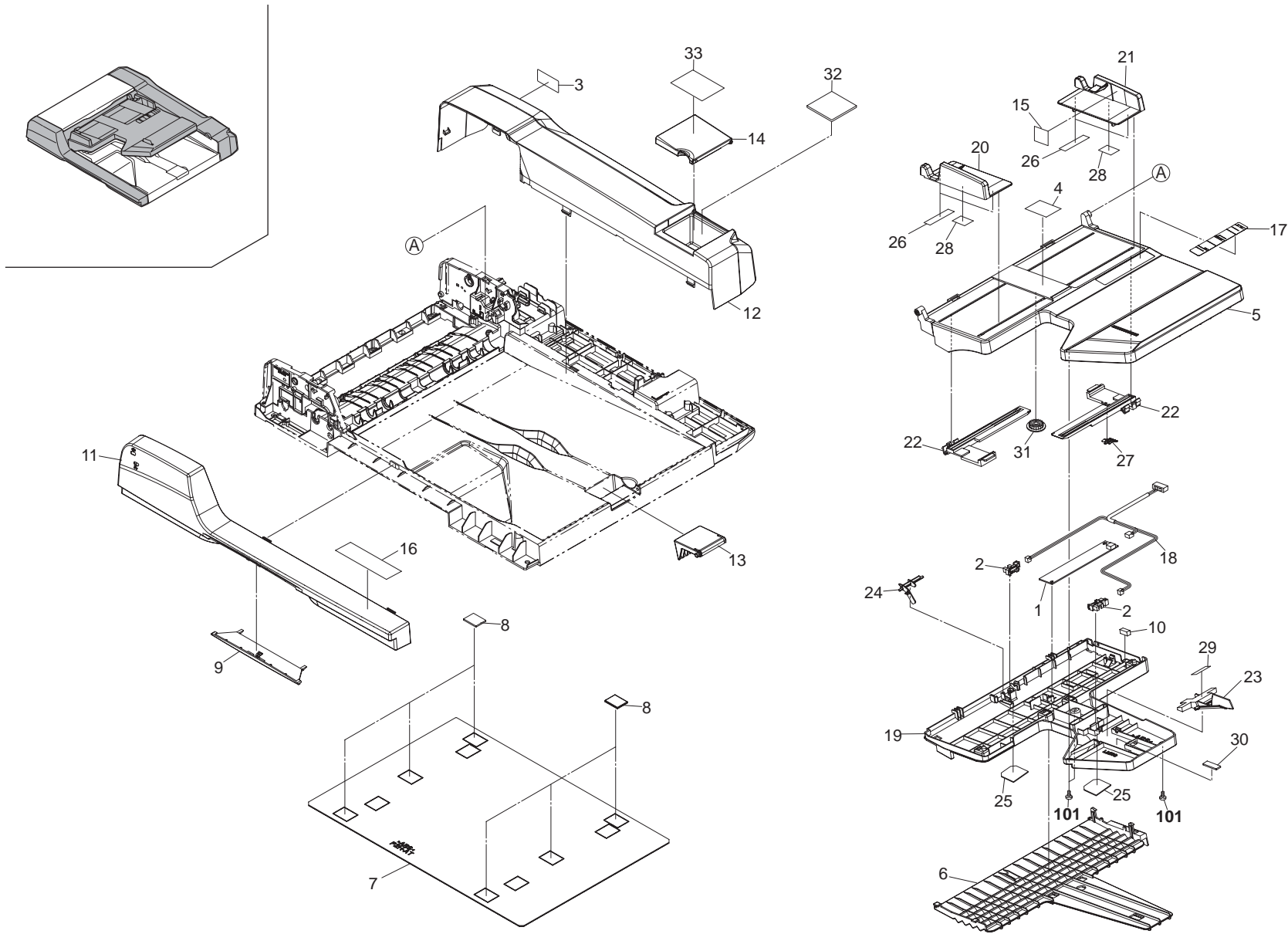


FIG. 1 Covers

3K5

Ref. No.	Part.No.	Alternative.	Description	Quantity			Ref. No.	Part.No.	Alternative.	Description	Quantity			
				120	230	240					120	230	240	
⊙	1	2C901050		PCB MPF SIZE ASSY	1	1	1	101	BAA63080		+TP TAP-TITE P SCREW M3X08			
⊙	2	2C927210		SENSOR 248NL1	2	2	2							
	3	303H605050	3H605050	LABEL HINGE CAUTION	1	1	1							
	4	303H605110	3H605110	LABEL MSP A	1	1	1							
⊙	5	303HL06011	3HL06011	TABLE ORIGINAL	1	1	1							
⊙	6	303HL10011	3HL10011	TRAY LOOP	1	1	1							
⊙	7	303JC04200	3JC04200	PLATE ORIGINAL	1	1	1							
	8	303JX02320	3JX02320	CUSHION ORIGINAL MAT A	6	6	6							
⊙	9	303JX04080	3JX04080	HANDLE DP	1	1	1							
	10	303K502070	3K502070	SEAL WIRE	1	1	1							
⊙	11	303K504010	3K504010	COVER FRONT	1	1	1							
⊙	12	303K504020	3K504020	COVER REAR	1	1	1							
⊙	13	303K504040	3K504040	STOPPER EJECT ORIGINAL	1	1	1							
⊙	14	303K504050	3K504050	LID REAR COVER	1	1	1							
	15	303K534010	3K534010	LABEL,ORIGINAL SET	1	1	1							
⊙	16	303K534030	3K534030	LABEL CAUTION B ENGLISH	1	1	1							
⊙	17	303K534090	3K534090	LABEL SIZE DIRECTIONS	1	1	1							
	18	303K546010	3K546010	JUNCTION WIRING ORIGINAL TABLE	1	1	1							
⊙	19	3HL06020		COVER TABLE	1	1	1							
⊙	20	3HL06030		FRONT CURSOR TABLE	1	1	1							
⊙	21	3HL06040		REAR CURSOR TABLE	1	1	1							
	22	3HL06050		RACK TABLE	2	2	2							
	23	3HL06060		ACTUATOR SIZE DETECTION	1	1	1							
	24	3HL06070		ACTUATOR LOOP SWITCH	1	1	1							
⊙	25	3HL06080		FILM TABLE PI	2	2	2							
	26	3HL06090		CUSHION CURSOR	4	4	4							
⊙	27	3HL06110		TERMINAL PAPER SIZE	1	1	1							
	28	3HL06120		SPACER CURSOR	2	2	2							
	29	3HL06130		FILM ACTUATOR	1	1	1							
	30	3HL06140		CUSHION ACTUATOR	1	1	1							
⊙	31	65907210		GEAR 20,CASSETTE	1	1	1							
⊙	32	303H604090	3H604090	CLOTH CLEANING	1	1	1							
⊙	33	303K534100	3K534100	LABEL CLOTH	1	1	1							

• Parts with "⊙" indicate regular maintenance parts.

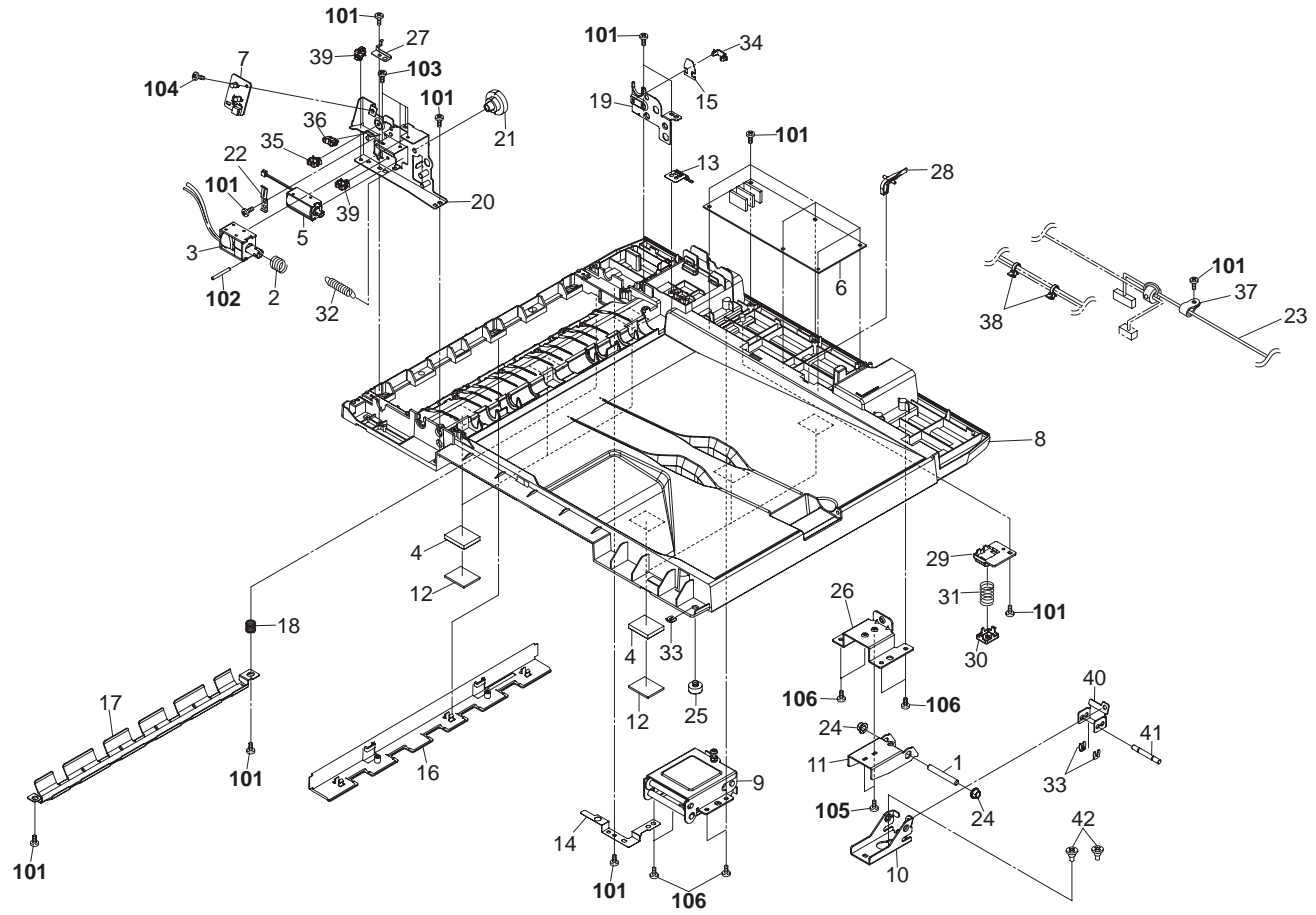
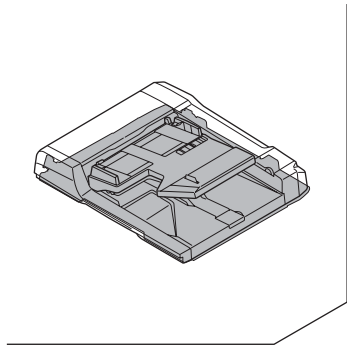


FIG. 2 Frames

3K5

	Ref. No.	Part.No.	Alternative.	Description	Quantity		
					120	230	240
	1	303HL02131	3HL02131	SHAFT HINGE	1	1	1
	2	303HL10200	3HL10200	SPRING LOOP	1	1	1
⊙	3	303HL27122	3HL27122	SOLENOID,PRESSURE PULLEY	1	1	1
	4	303J902120	3J902120	CUSHION ORIGINAL MAT B	6	6	6
⊙	5	303J945010	3J945010	SOLENOID FEED SHIFT	1	1	1
⊙	6	303K594020	3K594020	PARTS,MAIN PWB ASS'Y,SP	1	1	1
⊙	7	303K594030	3K594030	PARTS,LED PWB ASS'Y,SP	1	1	1
	8	303K502010	3K502010	BASE DP	1	1	1
⊙	9	303K502020	3K502020	LEFT HINGE	1	1	1
	10	303K502040	3K502040	RIGHT HINGE A	1	1	1
	11	303K502050	3K502050	RIGHT HINGE B	1	1	1
	12	303K502080	3K502080	SPONGE ORIGINAL MAT	6	6	6
	13	303K502090	3K502090	GROUND PLATE MOTOR	1	1	1
	14	303K502100	3K502100	GROUND PLATE LEFT GUIDE	1	1	1
	15	303K502150	3K502150	FILM WIRE	1	1	1
⊙	16	303K504030	3K504030	COVER LEFT	1	1	1
⊙	17	303K524010	3K524010	GUIDE READING	1	1	1
	18	303K524060	3K524060	SPRING READING GUIDE	1	1	1
	19	303K531010	3K531010	MOUNT GUIDE	1	1	1
	20	303K531110	3K531110	FRONT FRAME CONVEYING	1	1	1
⊙	21	303K531130	3K531130	GEAR 30 JAM REMOVENT	1	1	1
	22	303K531190	3K531190	GROUND PLATE PF	1	1	1
⊙	23	303K546050	3K546050	WIRE INTERFACE	1	1	1
	24	3CY07080		BUSHING 6	2	2	2
⊙	25	3H602250		CUSHION RUBBER	1	1	1
	26	3HL02050		ADJUSTING PLATE A HINGE	1	1	1
	27	3HL02120		GROUND PLATE CONVEYING	1	1	1
	28	3HL02140		ACTUATOR BASE	1	1	1
	29	3HL02230		MOUNT PUSH SW	1	1	1
	30	3HL02240		PUSH SW DP	1	1	1
	31	3HL02250		SPRING,PUSH SWITCH	1	1	1
	32	3HL10090		SPRING,LF SHIFT GUIDE	1	1	1
	33	5MVX111DN003	2A806250	RING STOPPER /A-49 FEED A4	3	3	3
	34	7YZM390011++H01	YZ050250	ACCESS.CLAMP	1	1	1
	35	7YZM610008++H01	YZ037940	ACCESS.SADDLE	1	1	1
	36	M2104260		EDGING,EDS-0607U(KITAGAWA)	1	1	1
	37	M2105030		NYLON CLAMP 5N,NK-5N	1	1	1
	38	M2607010		BINDING BAND,PLT1M	2	2	2
	39	M70AK010		WIRE SADDLE,RMS-1V0(TAKEUCHI)	2	2	2
	40	303K502060	3K502060	PLATE LIMITATION	1	1	1
	41	303K502140	3K502140	SHAFT HINGE	1	1	1
	42	303K502180	3K502180	PIN DP	2	2	2

	Ref. No.	Part.No.	Alternative.	Description	Quantity		
					120	230	240
	101	BAA63080		+TP TAP-TITE P SCREW M3X08			
	102	E0030200	48100320	SPRING PIN 3X20			
	103	B4A03030		+TP-A SCREW M3X03(TRIVALENT CHRO MATIN			
	104	5MBTPB3006TW++R	B1A53060	BIND T.T SCREW(+)/ M3 X 6 CRFREE S-T			
	105	5MBSP43006NW++R	B4A03060	TP HEAD SCREW(+)/ M3 X 6 DRFREE			
	106	5MBTPB4010PW++R	B1A64100	BIND T.T SCREW(+)/ M4 X 10 CRFREE P-T			

• Parts with "⊙" indicate regular maintenance parts.

FIG. 3 Paper Feed Section

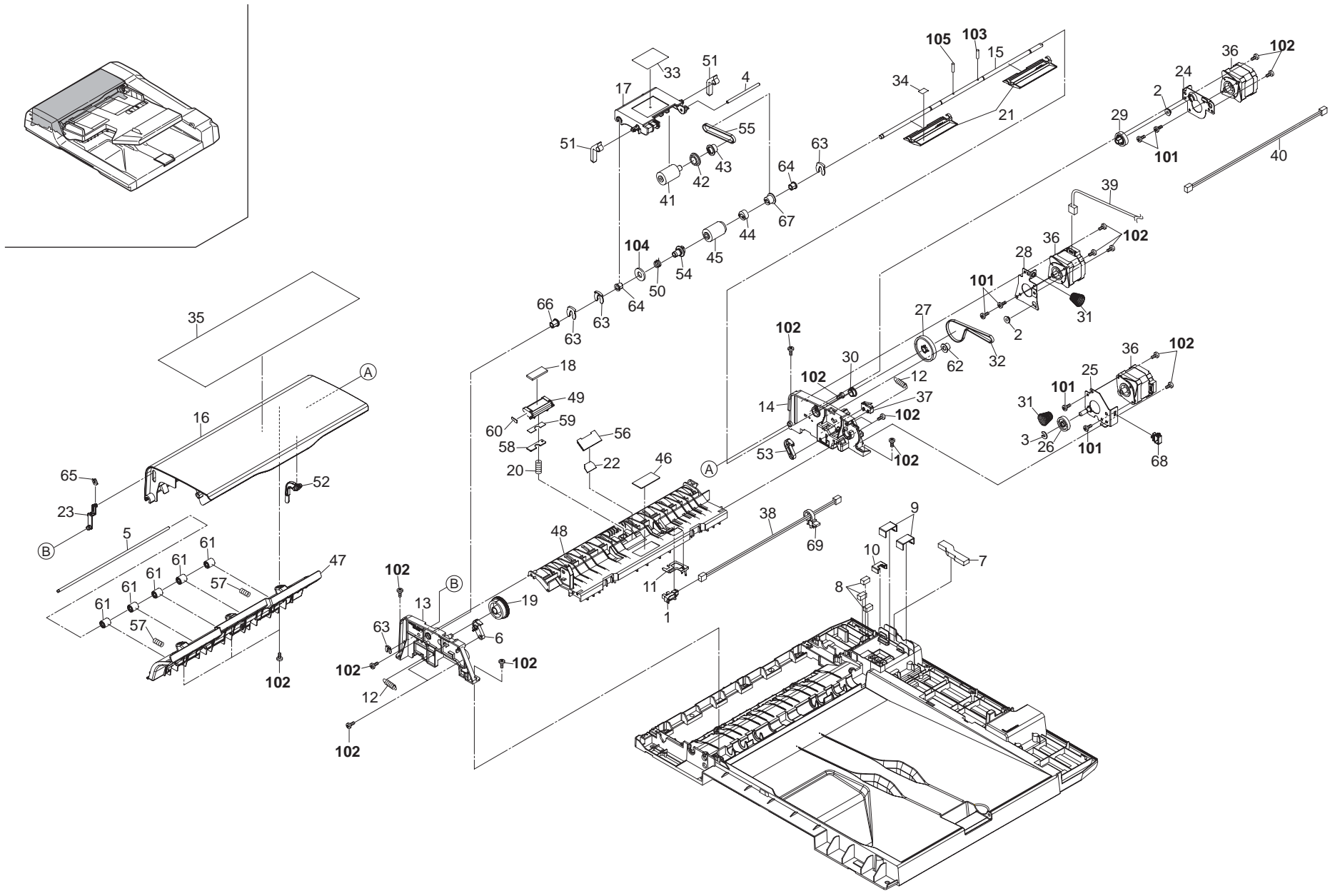


FIG. 3 Paper Feed Section

3K5

Ref. No.	Part.No.	Alternative.	Description	Quantity			Ref. No.	Part.No.	Alternative.	Description	Quantity			
				120	230	240					120	230	240	
⊙	1	2C927210	SENSOR 248NL1	1	1	1	51	3HL07140		STOPPER ORIGINAL	2	2	2	
⊙	2	302F929140	BUSH DU	2	2	2	52	3HL07150		ACTUATOR ORIGINAL SET	1	1	1	
	3	302FB09830	CUT WASHER 4	1	1	1	53	3HL07170		REAR HOOK PF COVER	1	1	1	
	4	303HL07031	SHAFT LEADING FEED	1	1	1	54	3HL07180		BOSS LIFT	1	1	1	
	5	303HL07131	SHAFT REGISTRATION	1	1	1	⊙	55	3HL07190		BELT 150S2M,PAPER FEED	1	1	1
	6	303HL07161	FRONT HOOK PF COVER	1	1	1	56	3HL07300		FILM LEADING	1	1	1	
	7	303K502030	SEAL WIRE L	1	1	1	57	3HL07310		SPRING REGISTRATION B	2	2	2	
	8	303K502070	SEAL WIRE	3	3	3	58	3HL07411		WEIGHT PAD	1	1	1	
	9	303K502110	HOLDER WIRE	2	2	2	59	3HL07421		TAPE WEIGHT	1	1	1	
	10	303K502120	HOLDER WIRE B	1	1	1	60	3HL07450		CUSHION SEPARATION	1	1	1	
	11	303K502160	GROUND PLATE PI	1	1	1	⊙	61	3HL08080		PULLEY CONVEYING	5	5	5
	12	303K502170	SPRING HOOK PF	2	2	2	62	3HL22160		PULLEY REAR SUPPORT	1	1	1	
	13	303K507010	FRONT FRAME PF	1	1	1	63	5MVL177DN001	2FB06810	RING STOPPER 4	4	4	4	
	14	303K507020	REAR FRAME PF	1	1	1	64	5MVM176DN026	2A806030	BUSH FEED /A-49 FEED A4	2	2	2	
	15	303K507030	SHAFT PF	1	1	1	65	5MVX111DN003	2A806250	RING STOPPER /A-49 FEED A4	1	1	1	
⊙	16	303K507040	COVER PF	1	1	1	66	60606101		BUSHING FEED BACK ROLLER	1	1	1	
	17	303K507050	HOLDER LEADING FEED	1	1	1	67	68721640		PULLEY 20,DUPLX CONVEYING	1	1	1	
⊙	18	303K507060	PAD SEPARATION	1	1	1	68	7YZM610010++H01	YZ042990	ACCESS.SADDLE	1	1	1	
⊙	19	303K507070	DIAL JAM REMOVENT	1	1	1	69	M2607010		BINDING BAND,PLT1M	1	1	1	
⊙	20	303K507080	SPRING SEPARATION	1	1	1								
⊙	21	303K507090	GUIDE PF	2	2	2								
⊙	22	303K507100	PAD FRONT SEP	1	1	1								
	23	303K507110	STOPPER PF COVER	1	1	1								
	24	303K531020	MOUNT PF DRIVE	1	1	1								
	25	303K531030	MOUNT LOOP DRIVE	1	1	1	101	5MBTPB3006TW++R	B1A53060	BIND T.T SCREW(+)/ M3 X 6 CRFREE S-T				
⊙	26	303K531040	GEAR 42	1	1	1	102	BAA63080		+TP TAP-TITE P SCREW M3X08				
⊙	27	303K531080	GEAR 78 CONVEYING	1	1	1	103	E0020080	48100208	SPRING PIN 2X8				
	28	303K531090	MOUNT C DRIVE	1	1	1	104	C2895950		SHIM 6.2-1.0T				
⊙	29	303K531100	GEAR 41 PF	1	1	1	105	5MBP2010WXSP	E0020100	SPRING PIN / M2 X 10 S-BLK				
	30	303K531180	BUSHING PF	1	1	1								
	31	303K531200	SPRING GND	2	2	2								
⊙	32	303K531220	BELT EJECT	1	1	1								
⊙	33	303K534040	LABEL JAM REMOVENT	1	1	1								
	34	303K534050	LABEL C	1	1	1								
⊙	35	303K534020	LABEL CAUTION A (I,C) SF	1	1	1								
⊙	36	303K544010	MOTOR DP	3	3	3								
⊙	37	303K544030	SWITCH INTERLOCK	1	1	1								
	38	303K546020	JUNCTION WIRING SET SENSOR	1	1	1								
	39	303K546040	JUNCTION WIRING MOTOR	1	1	1								
	40	303K546070	JUNCTION WIRING FEED MOTOR	1	1	1								
	41	36211110	PULLEY,LEADING FEED ADF	1	1	1								
	42	36211500	GEAR,LEADING FEED JOINT	1	1	1								
	43	3A707120	PULLEY,LEADING FEED	1	1	1								
⊙	44	3BC07130	ONE-WAY CLUTCH 6	1	1	1								
⊙	45	3BR07040	PULLEY,PAPER FEED	1	1	1								
⊙	46	3HK07240	FRICITION PLATE LF	1	1	1								
	47	3HL07060	UPPER GUIDE PAPER FEED	1	1	1								
	48	3HL07070	LOWER GUIDE PAPER FEED	1	1	1								
	49	3HL07091	HOLDER SEPARATION	1	1	1								
	50	3HL07110	SPRING,LIFT	1	1	1								

• Parts with "⊙" indicate regular maintenance parts.

FIG. 4 Paper Conveying Section

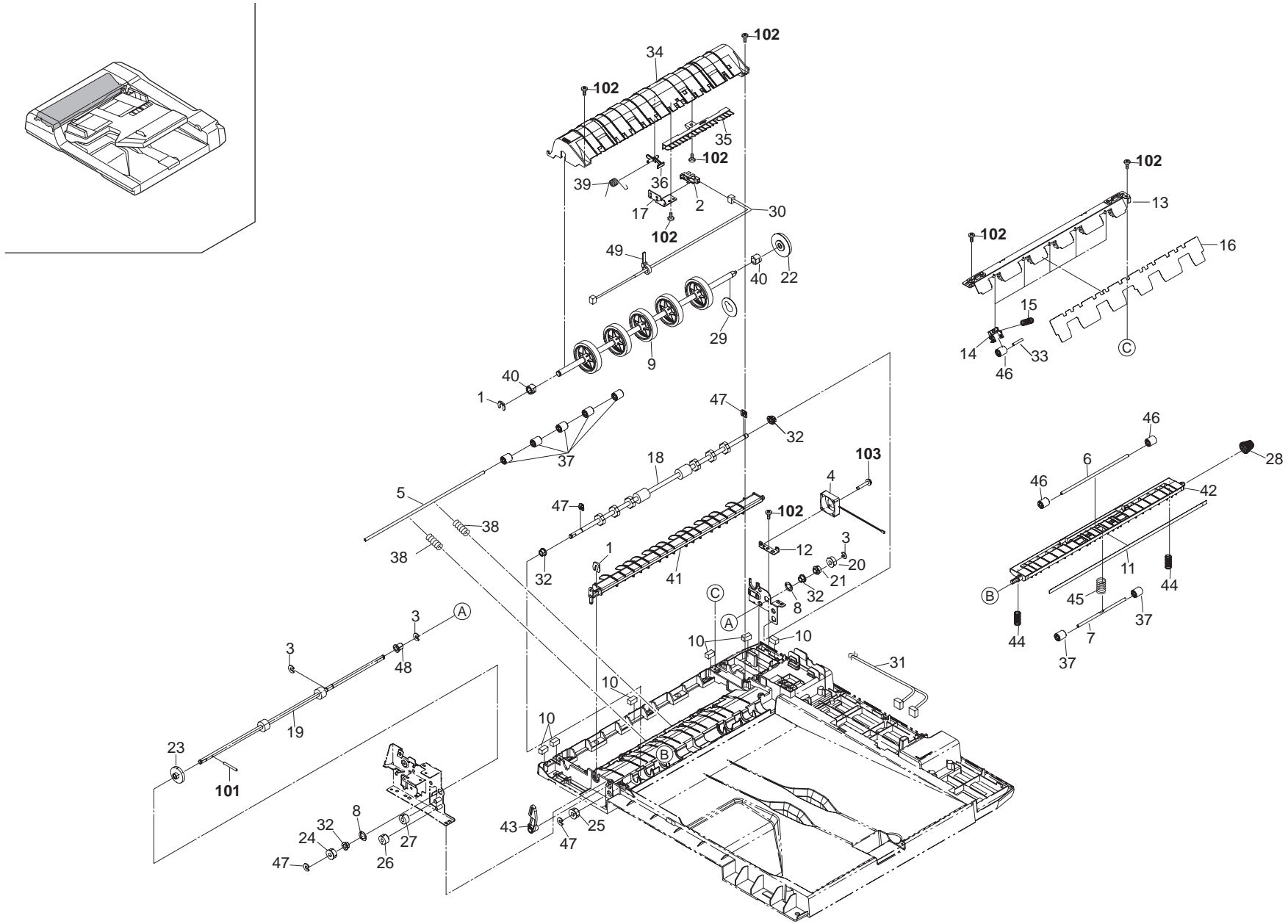


FIG. 4 Paper Conveying Section

3K5

Ref. No.	Part.No.	Alternative.	Description	Quantity			Ref. No.	Part.No.	Alternative.	Description	Quantity		
				120	230	240					120	230	240
1	2BC06910		STOPPER 6	2	2	2	101	5MBP2010WXSP	E0020100	SPRING PIN / M2 X 10 S-BLK			
2	2C927210		SENSOR 248NL1	1	1	1	102	BAA63080		+TP TAP-TITE P SCREW M3X08			
3	302FB09830	2FB09830	CUT WASHER 4	3	3	3	103	5MBTPB3014TW++R	B1A53140	BIND T.T SCREW(+)/ M3 X 14 CRFREE S-T			
4	302H094480	2H094480	PARTS FAN MAIN PWB SP	1	1	1							
5	303HL07131	3HL07131	SHAFT REGISTRATION	1	1	1							
6	303HL10041	3HL10041	SHAFT LOOP PULLEY	1	1	1							
7	303HL10111	3HL10111	SHAFT EJECT PULLEY	1	1	1							
8	303HL22200	3HL22200	PLATE GND	2	2	2							
9	303K594010	3K594010	PARTS CONVEYING ROLLER ASSY SP	1	1	1							
10	303K502070	3K502070	SEAL WIRE	6	6	6							
11	303K594060	3K594060	PARTS STATIC ELEMATOR EJECT SP	1	1	1							
12	303K502190	3K502190	MOUNT FAN	1	1	1							
13	303K524030	3K524030	GUIDE LEFT	1	1	1							
14	303K524040	3K524040	HOLDER LEFT PULLEY	5	5	5							
15	303K524050	3K524050	SPRING LEFT PULLEY	5	5	5							
16	303K524070	3K524070	FILM CONVEYING	1	1	1							
17	303K524100	3K524100	MOUNT PI	1	1	1							
18	303K594040	3K594040	PARTS ROLLER EJECT SP	1	1	1							
19	303K594050	3K594050	PARTS ROLLER LOOP SP	1	1	1							
20	303K531050	3K531050	GEAR 25	1	1	1							
21	303K531060	3K531060	PULLEY LOOP 18	1	1	1							
22	303K531070	3K531070	PULLEY 57 ASS'Y	1	1	1							
23	303K531120	3K531120	GEAR 48 LOOP ROLLER	1	1	1							
24	303K531140	3K531140	GEAR 16 EJECT R	1	1	1							
25	303K531150	3K531150	GEAR 16 EJECT L	1	1	1							
26	303K531160	3K531160	GEAR 15 IDLE R	1	1	1							
27	303K531170	3K531170	GEAR 15 IDLE L	1	1	1							
28	303K531200	3K531200	SPRING GND	1	1	1							
29	303K531210	3K531210	SPACER PULLEY	1	1	1							
30	303K546030	3K546030	JUNCTION WIRING REGIST SENSOR	1	1	1							
31	303K546060	3K546060	JUNCTION WIRING SOLENOID	1	1	1							
32	3CY07080		BUSHING 6	4	4	4							
33	3H608150		SHAFT C PULLEY	5	5	5							
34	3HL08010		GUIDE CONVEYING	1	1	1							
35	3HL08020		GUIDE B CONVEYING	1	1	1							
36	3HL08070		ACTUATOR CONVEYING TIMING	1	1	1							
37	3HL08080		PULLEY CONVEYING	7	7	7							
38	3HL08090		SPRING,CONVEYING PULLEY	2	2	2							
39	3HL08130		SPRING,CONVEYING ACTUATOR	1	1	1							
40	3HL08140		BUSHING 8	2	2	2							
41	3HL10020		GUIDE LOOP FEED SHIFT	1	1	1							
42	3HL10050		HOLDER LOOP PULLEY	1	1	1							
43	3HL10060		LEVER LOOP PRESSURE	1	1	1							
44	3HL10070		SPRING,LOOP PRESSURE	2	2	2							
45	3HL10120		SPRING,EJECT PULLEY	1	1	1							
46	3HL10140		PULLEY LOOP	7	7	7							
47	5MVX111DN003	2A806250	RING STOPPER /A-49 FEED A4	4	4	4							
48	60606101		BUSHING FEED BACK ROLLER	1	1	1							
49	M2607010		BINDING BAND,PLT1M	1	1	1							

• Parts with "⊙" indicate regular maintenance parts.

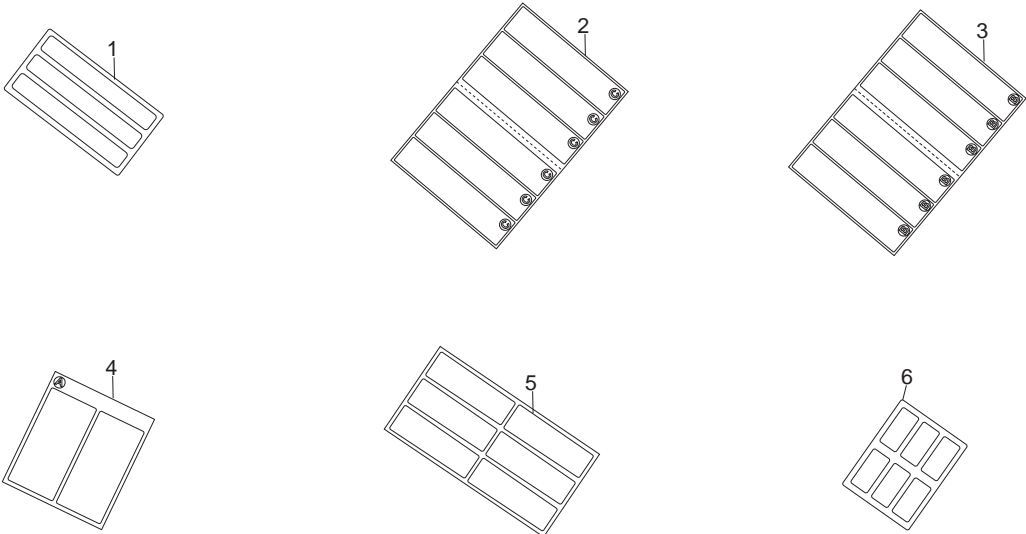


FIG. 5 Accessories

3K5

Ref. No.	Part.No.	Alternative.	Description	Quantity		
				120	230	240
1	303K534120	3K534120	LABEL CAUTION A (I) 3NATIONS SF	1		
2	303K534130	3K534130	LABEL CAUTION A (C) 6NATIONS SF		1	1
3	303K534140	3K534140	LABEL CAUTION A (C) 6NATIONS WC		1	1
4	303K534110	3K534110	LABEL CAUTION A (C) WC		1	1
5	303K534160	3K534160	LABEL CAUTION B 6NATIONS	1	1	1
6	303JX34150	3JX34150	LABEL FACE UP 6NATIONS	1	1	1

• Parts with "⊙" indicate regular maintenance parts.

INDEX

3K5

	Part.No.	Alternative.	Description	Fig.No.
	2BC06910		STOPPER 6	4
⊙	2C901050		PCB MPF SIZE ASSY	1
⊙	2C927210		SENSOR 248NL1	1,3,4
⊙	302F929140	2F929140	BUSH DU	3
	302FB09830	2FB09830	CUT WASHER 4	3,4
⊙	302H094480	2H094480	PARTS FAN MAIN PWB SP	4
⊙	303H604090	3H604090	CLOTH CLEANING	1
	303H605050	3H605050	LABEL HINGE CAUTION	1
	303H605110	3H605110	LABEL MSP A	1
	303HL02131	3HL02131	SHAFT HINGE	2
⊙	303HL06011	3HL06011	TABLE ORIGINAL	1
	303HL07031	3HL07031	SHAFT LEADING FEED	3
	303HL07131	3HL07131	SHAFT REGISTRATION	3,4
	303HL07161	3HL07161	FRONT HOOK PF COVER	3
⊙	303HL10011	3HL10011	TRAY LOOP	1
	303HL10041	3HL10041	SHAFT LOOP PULLEY	4
	303HL10111	3HL10111	SHAFT EJECT PULLEY	4
	303HL10200	3HL10200	SPRING LOOP	2
	303HL22200	3HL22200	PLATE GND	4
⊙	303HL27122	3HL27122	SOLENOID,PRESSURE PULLEY	2
	303J902120	3J902120	CUSHION ORIGINAL MAT B	2
⊙	303J945010	3J945010	SOLENOID FEED SHIFT	2
⊙	303JC04200	3JC04200	PLATE ORIGINAL	1
	303JX02320	3JX02320	CUSHION ORIGINAL MAT A	1
⊙	303JX04080	3JX04080	HANDLE DP	1
	303JX34150	3JX34150	LABEL FACE UP 6NATIONS	5
	303K502010	3K502010	BASE DP	2
⊙	303K502020	3K502020	LEFT HINGE	2
	303K502030	3K502030	SEAL WIRE L	3
	303K502040	3K502040	RIGHT HINGE A	2
	303K502050	3K502050	RIGHT HINGE B	2
	303K502060	3K502060	PLATE LIMITATION	2
	303K502070	3K502070	SEAL WIRE	1,3,4
	303K502080	3K502080	SPONGE ORIGINAL MAT	2
	303K502090	3K502090	GROUND PLATE MOTOR	2
	303K502100	3K502100	GROUND PLATE LEFT GUIDE	2
	303K502110	3K502110	HOLDER WIRE	3
	303K502120	3K502120	HOLDER WIRE B	3
	303K502140	3K502140	SHAFT HINGE	2
	303K502150	3K502150	FILM WIRE	2
	303K502160	3K502160	GROUND PLATE PI	3
	303K502170	3K502170	SPRING HOOK PF	3
	303K502180	3K502180	PIN DP	2
	303K502190	3K502190	MOUNT FAN	4
⊙	303K504010	3K504010	COVER FRONT	1
⊙	303K504020	3K504020	COVER REAR	1
⊙	303K504030	3K504030	COVER LEFT	2
⊙	303K504040	3K504040	STOPPER EJECT ORIGINAL	1
⊙	303K504050	3K504050	LID REAR COVER	1
	303K507010	3K507010	FRONT FRAME PF	3

	Part.No.	Alternative.	Description	Fig.No.
	303K507020	3K507020	REAR FRAME PF	3
	303K507030	3K507030	SHAFT PF	3
⊙	303K507040	3K507040	COVER PF	3
	303K507050	3K507050	HOLDER LEADING FEED	3
⊙	303K507060	3K507060	PAD SEPARATION	3
⊙	303K507070	3K507070	DIAL JAM REMOVAL	3
	303K507080	3K507080	SPRING SEPARATION	3
⊙	303K507090	3K507090	GUIDE PF	3
⊙	303K507100	3K507100	PAD FRONT SEP	3
	303K507110	3K507110	STOPPER PF COVER	3
⊙	303K524010	3K524010	GUIDE READING	2
	303K524030	3K524030	GUIDE LEFT	4
	303K524040	3K524040	HOLDER LEFT PULLEY	4
	303K524050	3K524050	SPRING LEFT PULLEY	4
	303K524060	3K524060	SPRING READING GUIDE	2
⊙	303K524070	3K524070	FILM CONVEYING	4
	303K524100	3K524100	MOUNT PI	4
	303K531010	3K531010	MOUNT GUIDE	2
	303K531020	3K531020	MOUNT PF DRIVE	3
	303K531030	3K531030	MOUNT LOOP DRIVE	3
⊙	303K531040	3K531040	GEAR 42	3
⊙	303K531050	3K531050	GEAR 25	4
	303K531060	3K531060	PULLEY LOOP 18	4
⊙	303K531070	3K531070	PULLEY 57 ASS'Y	4
⊙	303K531080	3K531080	GEAR 78 CONVEYING	3
	303K531090	3K531090	MOUNT C DRIVE	3
⊙	303K531100	3K531100	GEAR 41 PF	3
	303K531110	3K531110	FRONT FRAME CONVEYING	2
⊙	303K531120	3K531120	GEAR 48 LOOP ROLLER	4
⊙	303K531130	3K531130	GEAR 30 JAM REMOVAL	2
⊙	303K531140	3K531140	GEAR 16 EJECT R	4
⊙	303K531150	3K531150	GEAR 16 EJECT L	4
⊙	303K531160	3K531160	GEAR 15 IDLE R	4
⊙	303K531170	3K531170	GEAR 15 IDLE L	4
	303K531180	3K531180	BUSHING PF	3
	303K531190	3K531190	GROUND PLATE PF	2
	303K531200	3K531200	SPRING GND	3,4
	303K531210	3K531210	SPACER PULLEY	4
⊙	303K531220	3K531220	BELT EJECT	3
	303K534010	3K534010	LABEL,ORIGINAL SET	1
⊙	303K534020	3K534020	LABEL CAUTION A (I,C) SF	3
⊙	303K534030	3K534030	LABEL CAUTION B ENGLISH	1
⊙	303K534040	3K534040	LABEL JAM REMOVAL	3
	303K534050	3K534050	LABEL C	3
⊙	303K534090	3K534090	LABEL SIZE DIRECTIONS	1
⊙	303K534100	3K534100	LABEL CLOTH	1
	303K534110	3K534110	LABEL CAUTION A (C) WC	5
	303K534120	3K534120	LABEL CAUTION A (I) 3NATIONS SF	5
	303K534130	3K534130	LABEL CAUTION A (C) 6NATIONS SF	5
	303K534140	3K534140	LABEL CAUTION A (C) 6NATIONS WC	5

• Parts with "⊙" indicate regular maintenance parts.

	Part.No.	Alternative.	Description	Fig.No.		Part.No.	Alternative.	Description	Fig.No.
	303K534160	3K534160	LABEL CAUTION B 6NATIONS	5		3HL07180		BOSS LIFT	3
⊙	303K544010	3K544010	MOTOR DP	3	⊙	3HL07190		BELT 150S2M,PAPER FEED	3
⊙	303K544030	3K544030	SWITCH INTERLOCK	3		3HL07300		FILM LEADING	3
	303K546010	3K546010	JUNCTION WIRING ORIGINAL TABLE	1		3HL07310		SPRING REGISTRATION B	3
	303K546020	3K546020	JUNCTION WIRING SET SENSOR	3		3HL07411		WEIGHT PAD	3
	303K546030	3K546030	JUNCTION WIRING REGIST SENSOR	4		3HL07421		TAPE WEIGHT	3
	303K546040	3K546040	JUNCTION WIRING MOTOR	3		3HL07450		CUSHION SEPARATION	3
⊙	303K546050	3K546050	WIRE INTERFACE	2		3HL08010		GUIDE CONVEYING	4
	303K546060	3K546060	JUNCTION WIRING SOLENOID	4		3HL08020		GUIDE B CONVEYING	4
	303K546070	3K546070	JUNCTION WIRING FEED MOTOR	3		3HL08070		ACTUATOR CONVEYING TIMING	4
⊙	303K594010	3K594010	PARTS CONVEYING ROLLER ASSY SP	4	⊙	3HL08080		PULLEY CONVEYING	3,4
⊙	303K594020	3K594020	PARTS,MAIN PWB ASS'Y,SP	2		3HL08090		SPRING,CONVEYING PULLEY	4
⊙	303K594030	3K594030	PARTS.LED PWB ASS'Y,SP	2		3HL08130		SPRING,CONVEYING ACTUATOR	4
⊙	303K594040	3K594040	PARTS ROLLER EJECT SP	4		3HL08140		BUSHING 8	4
⊙	303K594050	3K594050	PARTS ROLLER LOOP SP	4		3HL10020		GUIDE LOOP FEED SHIFT	4
⊙	303K594060	3K594060	PARTS STATIC ELEMATOR EJECT SP	4		3HL10050		HOLDER LOOP PULLEY	4
	36211110		PULLEY,LEADING FEED ADF	3		3HL10060		LEVER LOOP PRESSURE	4
	36211500		GEAR,LEADING FEED JOINT	3		3HL10070		SPRING,LOOP PRESSURE	4
	3A707120		PULLEY,LEADING FEED	3		3HL10090		SPRING,LF SHIFT GUIDE	2
⊙	3BC07130		ONE-WAY CLUTCH 6	3		3HL10120		SPRING,EJECT PULLEY	4
⊙	3BR07040		PULLEY,PAPER FEED	3	⊙	3HL10140		PULLEY LOOP	4
	3CY07080		BUSHING 6	2,4		3HL22160		PULLEY REAR SUPPORT	3
⊙	3H602250		CUSHION RUBBER	2		5MVL177DN001	2FB06810	RING STOPPER 4	3
	3H608150		SHAFT C PULLEY	4		5MVM176DN026	2A806030	BUSH FEED /A-49 FEED A4	3
⊙	3HK07240		FRICTION PLATE LF	3		5MVX111DN003	2A806250	RING STOPPER /A-49 FEED A4	2,3,4
	3HL02050		ADJUSTING PLATE A HINGE	2		60606101		BUSHING FEED BACK ROLLER	3,4
	3HL02120		GROUND PLATE CONVEYING	2	⊙	65907210		GEAR 20,CASSETTE	1
	3HL02140		ACTUATOR BASE	2		68721640		PULLEY 20,DUPLEX CONVEYING	3
	3HL02230		MOUNT PUSH SW	2		7YZM390011++H01	YZ050250	ACCESS.CLAMP	2
	3HL02240		PUSH SW DP	2		7YZM610008++H01	YZ037940	ACCESS.SADDLE	2
	3HL02250		SPRING,PUSH SWITCH	2		7YZM610010++H01	YZ042990	ACCESS.SADDLE	3
⊙	3HL06020		COVER TABLE	1		M2104260		EDGING,EDS-0607U(KITAGAWA)	2
⊙	3HL06030		FRONT CURSOR TABLE	1		M2105030		NYLON CLAMP 5N,NK-5N	2
⊙	3HL06040		REAR CURSOR TABLE	1		M2607010		BINDING BAND,PLT1M	2,3,4
	3HL06050		RACK TABLE	1		M70AK010		WIRE SADDLE,RMS-1V0(TAKEUCHI)	2
	3HL06060		ACTUATOR SIZE DETECTION	1					
	3HL06070		ACTUATOR LOOP SWITCH	1					
⊙	3HL06080		FILM TABLE PI	1					
	3HL06090		CUSHION CURSOR	1					
⊙	3HL06110		TERMINAL PAPER SIZE	1					
	3HL06120		SPACER CURSOR	1					
	3HL06130		FILM ACTUATOR	1					
	3HL06140		CUSHION ACTUATOR	1					
	3HL07060		UPPER GUIDE PAPER FEED	3					
	3HL07070		LOWER GUIDE PAPER FEED	3					
	3HL07091		HOLDER SEPARATION	3					
	3HL07110		SPRING,LIFT	3					
	3HL07140		STOPPER ORIGINAL	3					
	3HL07150		ACTUATOR ORIGINAL SET	3					
	3HL07170		REAR HOOK PF COVER	3					

• Parts with "⊙" indicate regular maintenance parts.