



**DF-760/DF-760(B)
BF-720
MT-720/MT-720(B)
PH-5A/5C/5D**

PARTS LIST

Published in November 2009

3LTPL073

843LT123

Rev.3

NOTES

1. Indicate parts number and parts description together with the machine model name when placing an order.

e.g.	Parts Number	Parts Name	Machine Model	Quantity
	303LT04020	COVER FRONT	DF-760	1

2. Symbols in the "Parts Number" column.

- Parts with "•" are component parts or sub-assemblies of the assembly appearing immediately above them.

e.g.	Parts Number	Parts Name	Parts Number	Parts Name
	303KA94010	PARTS,PUNCH DISPOSAL TANK ASS'Y SP	• 303H402040	GROUND PLATE TANK
			• 303H402050	FILM GROUND PLATE

- Parts with "⊙" indicate regular maintenance parts.

3. Items indicated in Description column as (OPTION) are Consumable parts.

DF-760/DF-760(B)

—— CONTENTS ——

FIG. 1	Covers.....	2
FIG. 2	Frames 1.....	4
FIG. 3	Frames 2 & Exit Section 1.....	6
FIG. 4	Exit Section 2.....	8
FIG. 5	Stapler.....	10
FIG. 6	Middle Tray 1.....	12
FIG. 7	Middle Tray 2.....	14
FIG. 8	Middle Tray 3.....	16
FIG. 9	Middle Tray 4.....	18
FIG. 10	Middle Tray 5.....	20
FIG. 11	Paper Conveying Section 1.....	22
FIG. 12	Paper Conveying Section 2.....	24
FIG. 13	Drive Section.....	26
FIG. 14	Electrical Components.....	28
FIG. 15	Accessories & Options 1.....	30
FIG. 16	Option 2 (AK-720).....	32
FIG. 17	Option 3 (AK-700) (DF-760(B)).....	34
FIG. 18	Option 4 (AK-725) (DF-760(B)).....	36
	• INDEX.....	38

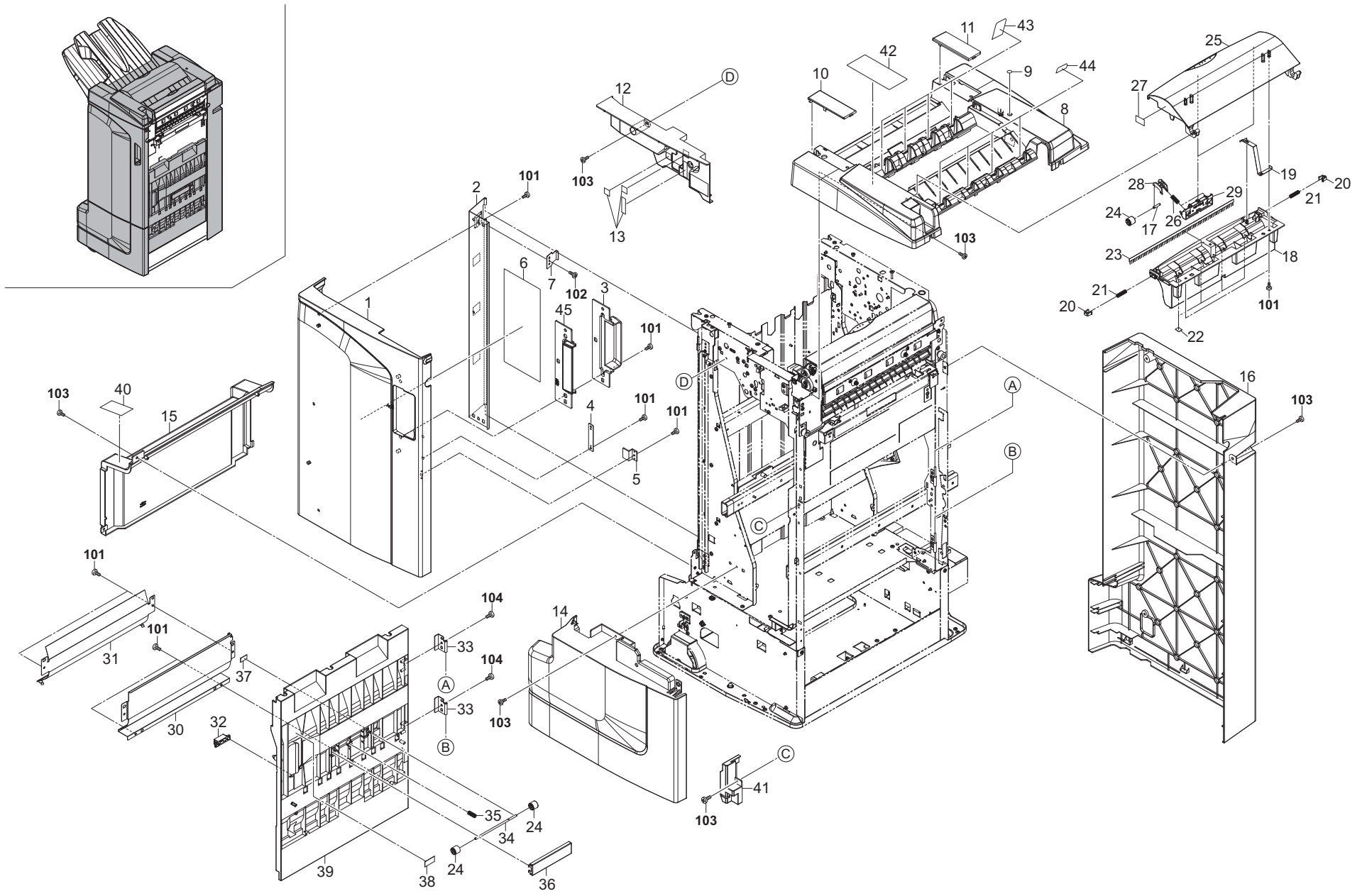


FIG. 1 Covers

3LT-2

Ref. No.	Part.No.	Alternative.	Description	Quantity				Ref. No.	Part.No.	Alternative.	Description	Quantity				
				110	120	230	240					110	120	230	240	
⊙	1	303LT04020	3LT04020	COVER FRONT	1	1	1	1	101	7BB202308H	BB105690	+TP-FLAT T.T P SCREW 3X8				
	2	303JY04200	3JY04200	HINGE FRONT COVER	1	1	1	1	102	7BB700308H	BB105600	+BIND T.T S SCREW 3X8 SR				
	3	303LT04040	3LT04040	COVER INNER	1	1	1	1	103	7BB700408H	BB105640	+BIND T.T S SCREW 4X8 SR				
	4	5MMS626SD003	2BM04100	PLATE MAGCHATCH	1	1	1	1	104	7BB200410H	BB105700	+BIND T.T P SCREW 4X10				
	5	303LT04080	3LT04080	LEVER SET SW	1	1	1	1								
⊙	6	303LT34020	3LT34020	LABEL JAM OPERATION	1	1	1	1								
	7	303JY04190	3JY04190	PLATE STOPPER	1	1	1	1								
⊙	8	303LT04051	3LT04051	COVER TOP	1	1	1	1								
⊙	9	303LT04120	3LT04120	LABEL COVER TOP	1	1	1	1								
⊙	10	303LT04090	3LT04090	LID FRONT TOP COVER	1	1	1	1								
⊙	11	303LT04100	3LT04100	LID REAR TOP COVER	1	1	1	1								
	12	303JY04140	3JY04140	COVER INNER B	1	1	1	1								
	13	303JY34050	3JY34050	LABEL D2 E1 E2	1	1	1	1								
⊙	14	303LT04060	3LT04060	COVER FRONT UNDER	1	1	1	1								
⊙	15	303LT04070	3LT04070	COVER LEFT	1	1	1	1								
⊙	16	303LT04010	3LT04010	COVER REAR	1	1	1	1								
	17	3H608150	3H608150	SHAFT C PULLEY	4	4	4	4								
	18	303LT24031	3LT24031	GUIDE RIGHT SUB EXIT 1	1	1	1	1								
	19	303JY24260	3JY24260	ELEC PLATE LEFT EXIT	1	1	1	1								
	20	2FB07330	2FB07330	STOPPER BYPASS TABLE	2	2	2	2								
	21	303JY24640	3JY24640	SPRING RELEASE COVER	2	2	2	2								
	22	303JY24670	3JY24670	FILM RIGHT SUB EXIT2	4	4	4	4								
⊙	23	3HX21040	3HX21040	STATIC ELIMINATOR,EJECT	1	1	1	1								
⊙	24	3H608200	3H608200	PULLEY CONVEYING	6	6	6	6								
⊙	25	303LT24041	3LT24041	GUIDE RIGHT SUB EXIT 2	1	1	1	1								
	26	3H608230	3H608230	SPRING C PULLEY	4	4	4	4								
⊙	27	303JY34220	3JY34220	LABEL C.REV	1	1	1	1								
	28	303H608091	3H608091	HOLDER C PULLEY	4	4	4	4								
	29	303JY24450	3JY24450	MOUNT D PULLEY	2	2	2	2								
	30	303JY38100	3JY38100	GUIDE RIGHT SC	1	1	1	1								
	31	303JY38410	3JY38410	GUIDE UPPER	1	1	1	1								
	32	2FB04220	2FB04220	MAGNET CATCH	1	1	1	1								
	33	303JY38210	3JY38210	MOUNT HINGE SC	2	2	2	2								
	34	303JY38180	3JY38180	SHAFT PULLEY SC	1	1	1	1								
	35	303JY38740	3JY38740	SPRING RIGHT COVER	1	1	1	1								
	36	303LT38010	3LT38010	HOLDER PULLEY SC	1	1	1	1								
	37	3B807640	3B807640	PAD,CURSOR	1	1	1	1								
	38	303JY34110	3JY34110	LABEL D8	1	1	1	1								
	39	303LT38020	3LT38020	GUIDE SADDLE CONVEYING	1	1	1	1								
⊙	40	303LT34040	3LT34040	LABEL TRAY CAUTION	1	1	1	1								
⊙	41	303JY04100	3JY04100	COVER INNER	1	1	1	1								
⊙	42	303LT34030	3LT34030	LABEL PAPER SET	1	1	1	1								
⊙	43	303JY04250	3JY04250	SHEET TRAY B	4	4	4	4								
⊙	44	303JY04260	3JY04260	SHEET TRAY C	4	4	4	4								
⊙	45	303LT04030	3LT04030	COVER SILVER	1	1	1	1								

- Parts with "*" are component parts or sub-assemblies of the assembly appearing immediately above them.
- Parts with "⊙" indicate regular maintenance parts.

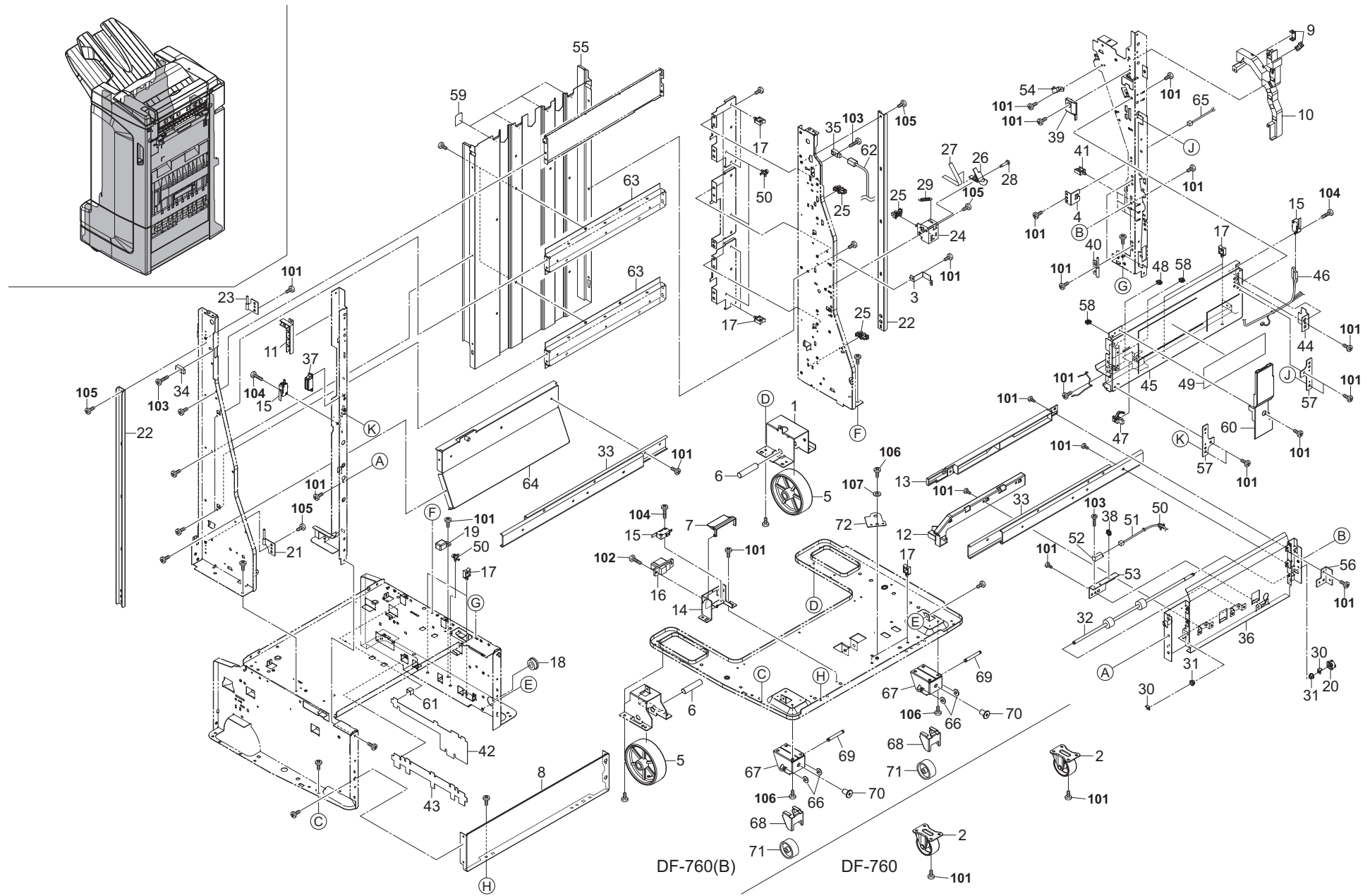


FIG. 2 Frames 1

3LT-2

Ref. No.	Part.No.	Alternative.	Description	Quantity			
				110	120	230	240
1	303B802081	3B802081	SUPPORT PLATE PULLEY FINISHER	1	1	1	1
2	3036802111	36802111	CASTER (DF-760)	2	2	2	2
3	303JY02570	3JY02570	GROUND PLATE A	1	1	1	1
4	303J124650	3J124650	MOUNT PAPER SENSOR	1	1	1	1
5	3AK02080	3AK02080	PULLEY,FINISHER	2	2	2	2
6	303B802091	3B802091	SHAFT,PULLEY FINISHER	2	2	2	2
7	303JY02430	3JY02430	COVER DRAWER	1	1	1	1
8	303JY02201	3JY02201	PLATE RIGHT LOW	1	1	1	1
9	303LT02020	3LT02020	LID WIRE GUIDE	2	2	2	2
10	303LT02010	3LT02010	GUIDE WIRE A	1	1	1	1
11	303LT02030	3LT02030	GUIDE WIRE B	1	1	1	1
12	303JY36850	3JY36850	RAIL STOPPER LOW	1	1	1	1
13	303JY36990	3JY36990	RAIL STOPPER UP	1	1	1	1
14	303JY02320	3JY02320	MOUNT DRAWER	1	1	1	1
15	2FB27160	2FB27160	INTER LOCK SWITCH	3	3	3	3
16	303JY46240	3JY46240	WIRE BOOKLET FOLDER	1	1	1	1
17	7YZM610004++H01	YZ012210	ACCESS SADDLE	10	10	10	10
18	M1203250	M1203250	OPEN BUSHING,OCB-875	1	1	1	1
19	303JY02360	3JY02360	COVER BASE	1	1	1	1
20	2C921350	2C921350	PULLEY EXIT	1	1	1	1
21	303JY04090	3JY04090	FULCRUM PLATE LOW	1	1	1	1
22	3AK20010	3AK20010	RAIL,MAIN TRAY	2	2	2	2
23	303JY04080	3JY04080	FULCRUM PLATE UP	1	1	1	1
24	303AK20162	3AK20162	MOUNT,MAIN TRAY SENSOR MIDDLE	1	1	1	1
25	2C927210	2C927210	SENSOR 248NL1	3	3	3	3
26	3AK20150	3AK20150	DETECTION PLATE,MAIN TRAY SENSOR M	1	1	1	1
27	303JY28230	3JY28230	FILM MAIN TRAY SENSOR	1	1	1	1
28	3CG07041	3CG07041	PIN,CONNECTOR	1	1	1	1
29	3AK20250	3AK20250	SPRING,MAIN TRAY SENSOR MIDDLE	1	1	1	1
30	5MVL177DN001	2FB06810	RING STOPPER 4	2	2	2	2
31	3CY07080	3CY07080	BUSHING 6	2	2	2	2
32	303JY38080	3JY38080	ROLLER SADDLE CONVEYING	1	1	1	1
33	303JY37240	3JY37240	SLIDER MIDDLE TRAY	2	2	2	2
34	303H327460	3H327460	SENSOR A,SEPARATION	1	1	1	1
35	303H327470	3H327470	SENSOR B SEPARATION	1	1	1	1
36	303JY38111	3JY38111	GUIDE LEFT SC	1	1	1	1
37	2FB04220	2FB04220	MAGNET CATCH	1	1	1	1
38	M70AK010	M70AK010	WIRE SADDLE,RMS-1V0(TAKEUCHI)	1	1	1	1
39	303JY02170	3JY02170	GUIDE RELEASE R	1	1	1	1
40	303JY38200	3JY38200	HINGE SADDLE CONVEYING	2	2	2	2
41	M21AK010	M21AK010	WIRE SADDLE,RLWS-1T V0(KITAGAWA)	3	3	3	3
42	303LT02060	3LT02060	FILM PWB UPPER	1	1	1	1
43	303LT02070	3LT02070	FILM PWB LOWER	1	1	1	1
44	303JY02370	3JY02370	MOUNT SET SW	1	1	1	1
45	303JY02072	3JY02072	PLATE RIGHT	1	1	1	1
46	303LT46070	3LT46070	WIRE FRONT	1	1	1	1
47	3H427050	3H427050	SENSOR TANK	1	1	1	1
48	M2104390	M2104390	EDGING,EDS-0607L(KITAGAWA)	2	2	2	2
49	303JY34030	3JY34030	LABEL STAPLER	1	1	1	1
50	M21AH010	M21AH010	BAND,RSG-130-V0(KITAGAWA)	5	5	5	5

Ref. No.	Part.No.	Alternative.	Description	Quantity			
				110	120	230	240
51	303LT46110	3LT46110	JUNCTION WIRING S SENSOR	1	1	1	1
52	2FG27110	2FG27110	SWITCH REGISTRATION	1	1	1	1
53	303JY38420	3JY38420	MOUNT SADDLE SENSOR	1	1	1	1
54	303JY02581	3JY02581	GROUND PLATE MT R	1	1	1	1
55	303C102031	3C102031	PARTITION,FINISHER	1	1	1	1
56	303JY02440	3JY02440	PLATE SLIDER RIGHT	1	1	1	1
57	303JY02450	3JY02450	PLATE RIGHT UP	2	2	2	2
58	7YZM610007++H01	YZ023340	ACCESS.SADDLE	2	2	2	2
59	303JY04240	3JY04240	SHEET TRAY A	4	4	4	4
60	303LT02120	3LT02120	GUIDE RELEASE B	1	1	1	1
61	303LT02080	3LT02080	FILM PWB FOOT	1	1	1	1
62	303LT46220	3LT46220	JUNCTION WIRING MT LED	1	1	1	1
63	3AK02060	3AK02060	STAY,PARTITION	2	2	2	2
64	303JY02160	3JY02160	STAY SLIDER LEFT	1	1	1	1
65	303LT46230	3LT46230	WIRE BOOKLET SENSOR	1	1	1	1
66	302FB09830	2FB09830	CUT WASHER 4 (DF-760(B))	4	4	4	4
67	303LT02140	3LT02140	PLATE HOLDER (DF-760(B))	2	2	2	2
68	303LT02150	3LT02150	PLATE ADJUST (DF-760(B))	2	2	2	2
69	303LT02160	3LT02160	SHAFT PULLEY (DF-760(B))	2	2	2	2
70	303LT02170	3LT02170	BOLT M10 (DF-760(B))	2	2	2	2
71	3AK02240	3AK02240	PULLEY,SORTER (DF-760(B))	2	2	2	2
72	3B822030	3B822030	SUPPORT PLATE,MIDDLE TRAY DRIVE (DF-760(B))	1	1	1	1
101	7BB180408H	BB111210	+BIND T.T S SCREW 4X8(BLACK)				
102	7BB700410H	BB107090	+BIND T.T S SCREW 4X10 SR				
103	7BB700314H	BB105610	+BIND T.T S SCREW 3X14 SR				
104	7BB700320H	BB105620	+BIND T.T S SCREW 3X20 SR				
105	7BB100406H	BB106920	+BIND T.T S SCREW 4X6				
106	7BB700408H	BB105640	+BIND T.T S SCREW 4X8 SR				
107	7BC06062A0A0H01	BC056490	POLY SLIDER WASHER 6.2X10X1.0T				

- Parts with "*" are component parts or sub-assemblies of the assembly appearing immediately above them.
- Parts with "⊙" indicate regular maintenance parts.

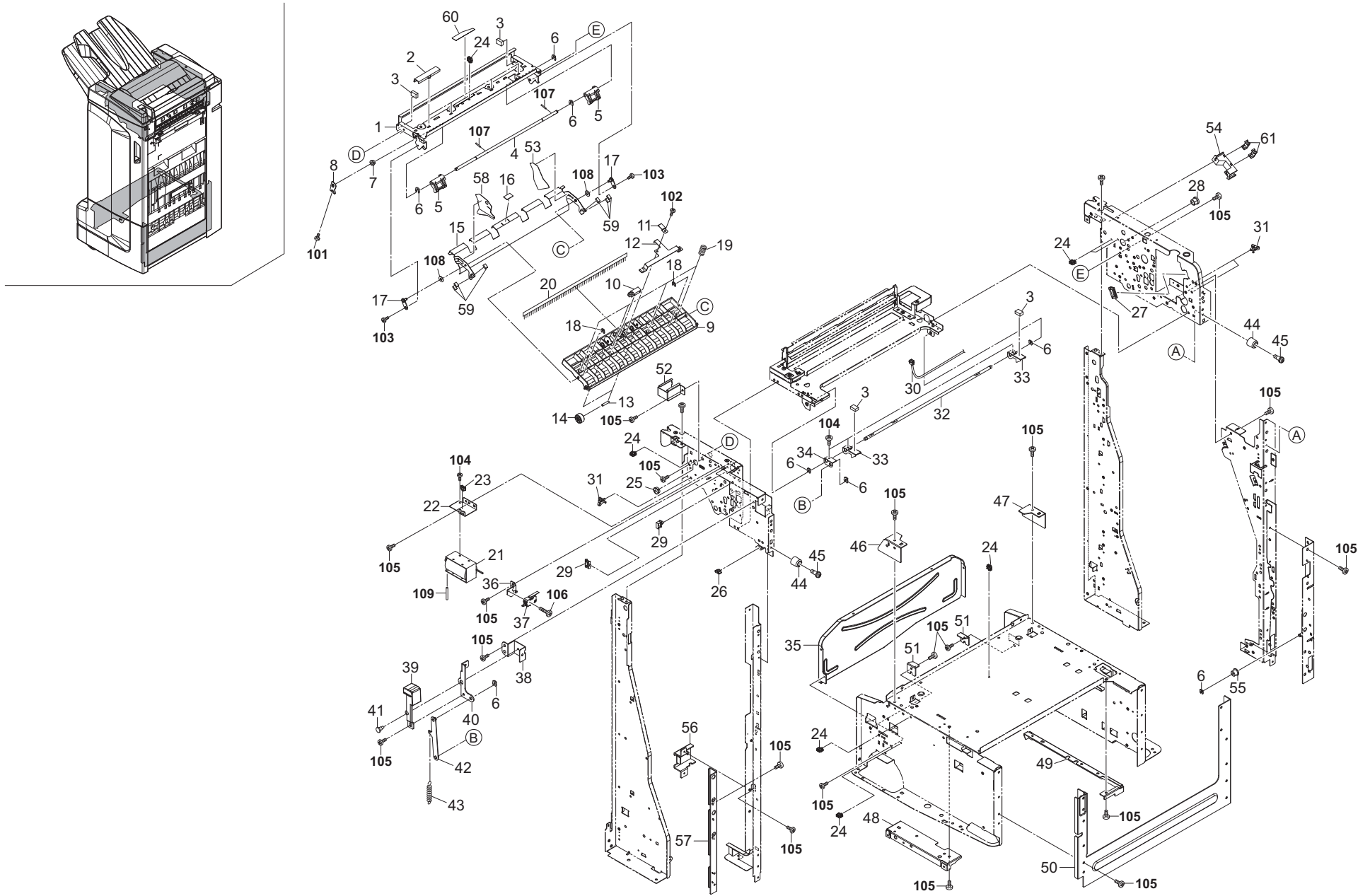


FIG. 3 Frames 2 & Exit Section 1

3LT-3

Ref. No.	Part.No.	Alternative.	Description	Quantity				Ref. No.	Part.No.	Alternative.	Description	Quantity			
				110	120	230	240					110	120	230	240
1	303JY28260	3JY28260	STAY EJECT B	1	1	1	1	51	303JY02650	3JY02650	PLATE REINFORCE BF FOOK	2	2	2	2
2	303JY28390	3JY28390	COVER WIRE EJECT	4	4	4	4	52	303JY02600	3JY02600	PLATE INNER COVER	1	1	1	1
3	303H321110	3H321110	CUSHION EJECT GUIDE B	4	4	4	4	53	303JY28240	3JY28240	FILM GUIDE EXIT	1	1	1	1
4	303JY28180	3JY28180	SHAFT EJECT LEVER	1	1	1	1	54	303LT02050	3LT02050	GUIDE WIRE D	1	1	1	1
5	303JY28150	3JY28150	LEVER EJECT	2	2	2	2	55	28801190	48928800	PULLEY,TIMING BELT	1	1	1	1
6	5MVX1111DN003	2A806250	RING STOPPER /A-49 FEED A4	8	8	8	8	56	303JY02520	3JY02520	PLATE MT R	1	1	1	1
7	2A116180	2A116180	BUSHING,TRANSFER	1	1	1	1	57	303JY02461	3JY02461	PLATE RIGHT LOW	1	1	1	1
8	303JY28080	3JY28080	HOOK EJECT LEVER	1	1	1	1	58	303JY28290	3JY28290	FILM GUIDE B	1	1	1	1
9	303JY28130	3JY28130	GUIDE UPPER EJECT	1	1	1	1	59	303JY28280	3JY28280	CUSHION EJECT GUIDE B	6	6	6	6
10	3H327410	3H327410	SENSOR,CONVEYING	1	1	1	1	60	303JY28400	3JY28400	FILM STAY EJECT	1	1	1	1
11	303JY28090	3JY28090	SUPPORT PLATE EJECT SW	1	1	1	1	61	303LT02020	3LT02020	LID WIRE GUIDE	2	2	2	2
12	303JY28210	3JY28210	GROUND PLATE MAIN EJECT	1	1	1	1								
13	303B821081	3B821081	SHAFT,EJECT PULLEY	2	2	2	2								
14	62221110	62221110	PULLEY,FEEDBACK	2	2	2	2								
15	303JY28270	3JY28270	GUIDE LOWER EJECT B	1	1	1	1								
16	3B807640	3B807640	PAD,CURSOR	1	1	1	1								
17	3B821060	3B821060	UPPER FULCRUM PIN,EJECT GUIDE	2	2	2	2	101	7BB000305H	BB063450	+BIND M SCREW 3X5				
18	5MVX1111DN007	2BT11070	STOPPER 3 /2BT1107 A4	2	2	2	2	102	7BB202308H	BB105690	+TP-FLAT T.T P SCREW 3X8				
19	303H321131	3H321131	SPRING EJECT	4	4	4	4	103	7BB700308H	BB105600	+BIND T.T S SCREW 3X8 SR				
20	3B816920	3B816920	STATIC ELIMINATOR,SUB EJECT	1	1	1	1	104	7BB007304H	BB105810	+TP-CUP M SCREW 3X4				
21	3H327430	3H327430	SOLENOID,EJECT	1	1	1	1	105	7BB700408H	BB105640	+BIND T.T S SCREW 4X8 SR				
22	303JY28170	3JY28170	MOUNT EJECT SOLENOID	1	1	1	1	106	7BB700320H	BB105620	+BIND T.T S SCREW 3X20 SR				
23	M2104260	M2104260	EDGING,EDS-0607U(KITAGAWA)	1	1	1	1	107	5MBP2012WPLD	E5120120	PARALLEL PIN / M2 X 12 SUS-DP				
24	7YZM610007+++H01	YZ023340	ACCESS.SADDLE	4	4	4	4	108	C2804100	C2804100	POLYESTER SLIDER WASHER 4.1X10X0.5T				
25	7YZM110001+++H01	YZ009420	ACCESS.BUSHING	1	1	1	1	109	7BP013030+++H01	BP010460	SPRING PIN 3X30(SUS)				
26	M2104390	M2104390	EDGING,EDS-0607L(KITAGAWA)	1	1	1	1								
27	M2104250	M2104250	EDGING,EDS-17L(KITAGAWA)	1	1	1	1								
28	M1203220	49427406	OPEN BUSHING,OCB-625	1	1	1	1								
29	7YZM610001+++H01	YZ010230	ACCESS SADDLE	4	4	4	4								
30	303LT46200	3LT46200	JUNCTION WIRING SENSOR	1	1	1	1								
31	M21AH010	M21AH010	BAND,RSG-130-V0(KITAGAWA)	3	3	3	3								
32	303JY02150	3JY02150	SHAFT RELEASE	1	1	1	1								
33	3AK02160	3AK02160	HOOK,FINISHER RELEASE	2	2	2	2								
34	303JY02380	3JY02380	PLATE WORK RELEASE	1	1	1	1								
35	303JY02620	3JY02620	PLATE REINFORCE LEFT	1	1	1	1								
36	303JY02310	3JY02310	MOUNT SWITCH	1	1	1	1								
37	2FB27160	2FB27160	INTER LOCK SWITCH	1	1	1	1								
38	303JY02300	3JY02300	RETAINER LEVER	1	1	1	1								
39	303LT04110	3LT04110	LEVER RELEASE	1	1	1	1								
40	36802270	36802270	REINFORCEMENT,RELEASE LEVER	1	1	1	1								
41	3CG02041	3CG02041	PIN,RELEASE LEVER	1	1	1	1								
42	303JY02140	3JY02140	PLATE LEVER RELEASE	1	1	1	1								
43	29407191	29407191	TENSION SPRING,PF	1	1	1	1								
44	303JY02471	3JY02471	SPACER FINISHER	2	2	2	2								
45	302FB08462	2FB08462	PIN CONNECTOR	2	2	2	2								
46	303JY02530	3JY02530	PLATE FL	1	1	1	1								
47	303JY02540	3JY02540	PLATE RL	1	1	1	1								
48	303JY02551	3JY02551	PLATE LF	1	1	1	1								
49	303JY02561	3JY02561	PLATE LR	1	1	1	1								
50	303JY02611	3JY02611	FRAME REINFORCEMENT	1	1	1	1								

- Parts with "*" are component parts or sub-assemblies of the assembly appearing immediately above them.
- Parts with "⊙" indicate regular maintenance parts.

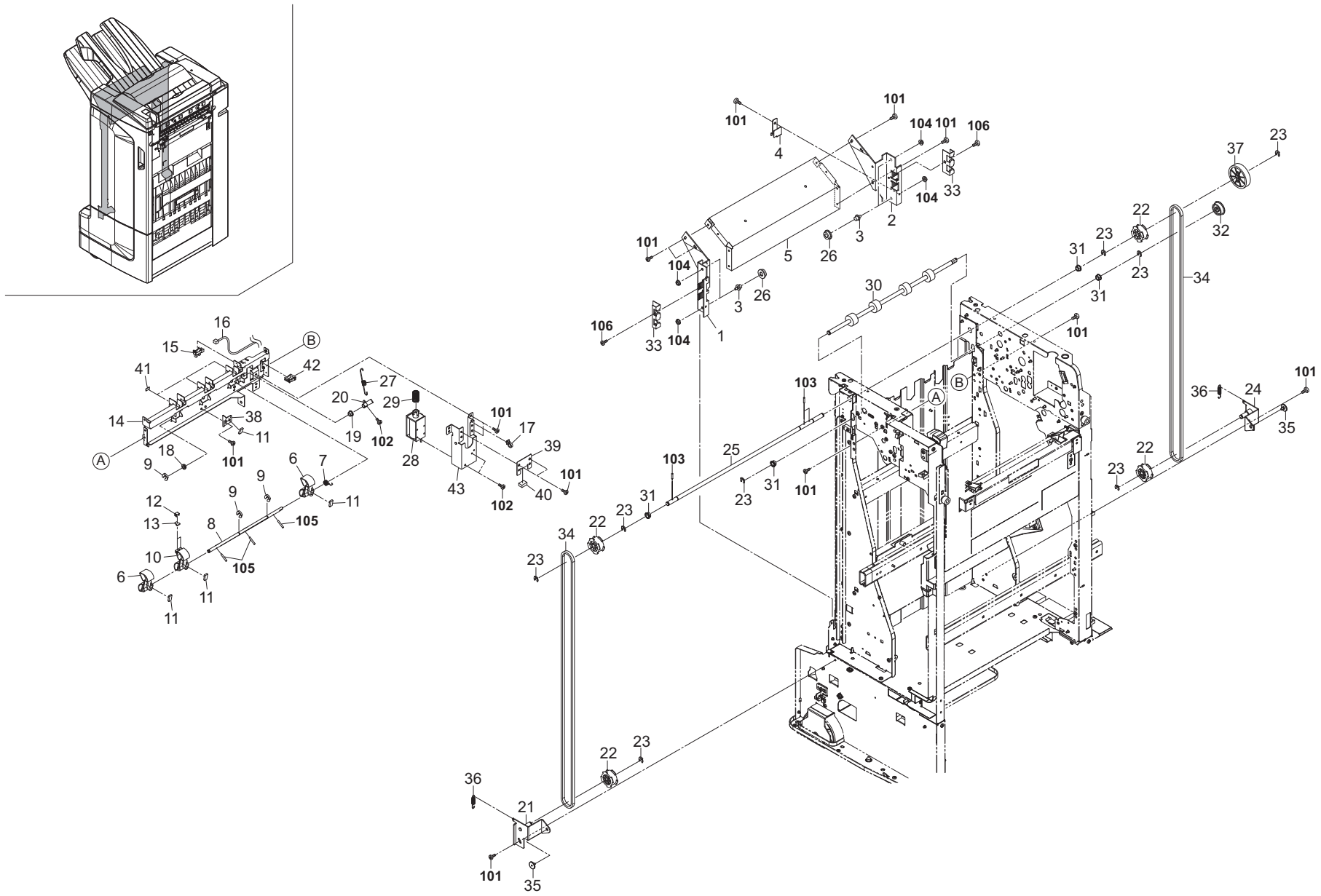


FIG. 4 Exit Section 2

3LT-3

Ref. No.	Part.No.	Alternative.	Description	Quantity				Ref. No.	Part.No.	Alternative.	Description	Quantity			
				110	120	230	240					110	120	230	240
1	3AK20020	3AK20020	FRONT FRAME,MAIN TRAY	1	1	1	1	101	7BB700408H	BB105640	+BIND T.T S SCREW 4X8 SR				
2	3AK20030	3AK20030	REAR FRAME,MAIN TRAY	1	1	1	1	102	7BB007304H	BB105810	+TP-CUP M SCREW 3X4				
3	3AK20180	3AK20180	PIN,MAIN TRAY	4	4	4	4	103	E5125200	E5125200	PARALLEL PIN H7A 2.5X20 SUS				
4	303JY28020	3JY28020	DETECTION PLATE MAIN	1	1	1	1	104	C1B14070	C1B14070	NUT SNM4(TRIVALENT CHROMATING)				
5	303AK20041	3AK20041	SUPPORT PLATE,MAIN TRAY	1	1	1	1	105	E5120140	E5120140	PARALLEL PIN H7A 2X14 SUS				
6	303JY28061	3JY28061	LEVER MAIN EJECT B	2	2	2	2	106	7BB607406H	BB107150	+TP-CUP M SCREW 4X6 R				
7	303JY28070	3JY28070	SPRING LEVER MAIN EJECT	1	1	1	1								
8	303JY28040	3JY28040	SHAFT LEVER MAIN EJECT	1	1	1	1								
9	5MVX111DN003	2A806250	RING STOPPER /A-49 FEED A4	3	3	3	3								
10	303JY28051	3JY28051	LEVER MAIN EJECT A	1	1	1	1								
11	63213320	63213320	CUSHION,ORIGINAL COLLECTION	4	4	4	4								
12	63213300	63213300	RETAINER,EJECT ORIGINAL HOLDER	2	2	2	2								
13	63213261	63213261	PAD, EJECT ORIGINAL HOLDER	2	2	2	2								
14	303JY28300	3JY28300	STAY EJECT HOLDER	1	1	1	1								
⊙	15	2C927210	2C927210	SENSOR 248NL1	1	1	1	1							
16	303LT46090	3LT46090	WIRE PAPER PRESS SENSOR	1	1	1	1								
17	M21AH010	M21AH010	BAND,RSG-130-V0(KITAGAWA)	1	1	1	1								
18	2A116180	2A116180	BUSHING,TRANSFER	1	1	1	1								
19	3CY07080	3CY07080	BUSHING 6	1	1	1	1								
20	3C106040	3C106040	LEVER,HOLDER MAIN EJECT	1	1	1	1								
21	303JY28010	3JY28010	TENSION PLATE MAIN TRAY	1	1	1	1								
⊙	22	3AK20230	3AK20230	PULLEY 20S5M	4	4	4	4							
23	2BC06910	2BC06910	STOPPER 6	8	8	8	8								
24	303JY28190	3JY28190	TENSION PLATE MAIN TRAY B	1	1	1	1								
25	303JY31200	3JY31200	SHAFT MAIN TRAY	1	1	1	1								
⊙	26	3AK20200	3AK20200	PULLEY,MAIN TRAY	4	4	4	4							
27	303C106062	3C106062	SPRING,HOLDER MAIN EJECT PULL	1	1	1	1								
⊙	28	303JY44070	3JY44070	SOLENOID HOLDER	1	1	1	1							
29	303JY28340	3JY28340	SPRING HOLDER SOL	1	1	1	1								
⊙	30	303JY28120	3JY28120	ROLLER MAIN EJECT	1	1	1	1							
31	28107310	49028101	BUSH 8	4	4	4	4								
⊙	32	303JY31150	3JY31150	PULLEY 42	1	1	1	1							
33	3AK20050	3AK20050	HOLDER,TIMING BELT	2	2	2	2								
⊙	34	3AK20210	3AK20210	BELT,TRAY LIFT	2	2	2	2							
35	2FB21620	2FB21620	PIN EJECT	2	2	2	2								
36	303JY28200	3JY28200	SPRING MAIN TRAY	2	2	2	2								
⊙	37	3AK20090	3AK20090	GEAR 51	1	1	1	1							
38	303JY28330	3JY28330	STOPPER PAPER HOLDER	1	1	1	1								
39	303JY28320	3JY28320	STOPPER HOLDER SOL	1	1	1	1								
40	303H321110	3H321110	CUSHION EJECT GUIDE B	1	1	1	1								
41	303H321070	3H321070	CUSHION FEED SHIFT GUIDE	3	3	3	3								
42	M2104350	M2104350	EDGING,EDS-0607M(KITAGAWA)	1	1	1	1								
43	303JY28310	3JY28310	MOUNT SOL EJECT HOLDER	1	1	1	1								

- Parts with "*" are component parts or sub-assemblies of the assembly appearing immediately above them.
- Parts with "⊙" indicate regular maintenance parts.

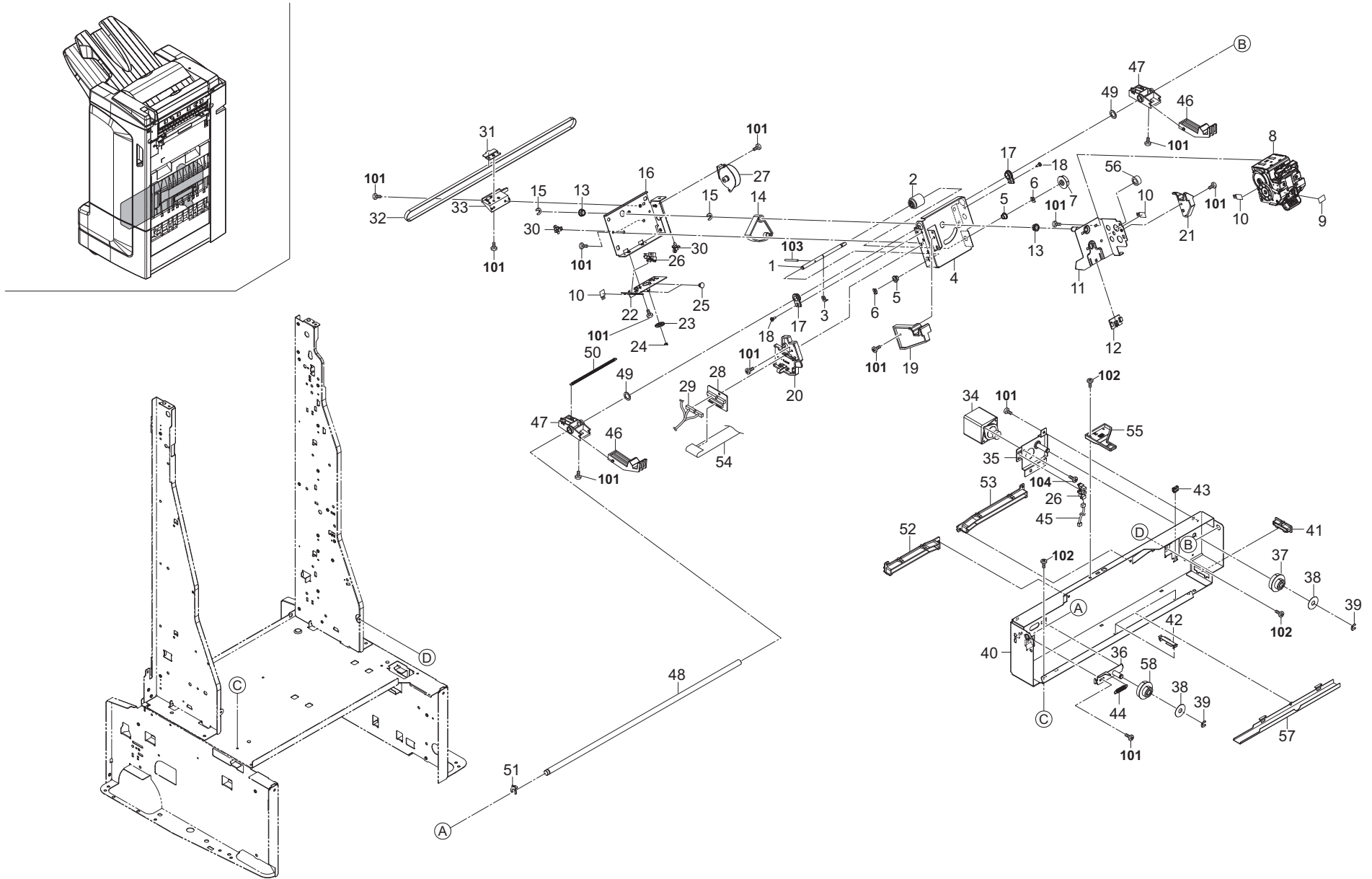


FIG. 5 Stapler

3LT-3

Ref. No.	Part.No.	Alternative.	Description	Quantity			
				110	120	230	240
1	303JY38060	3JY38060	SHAFT WORM	1	1	1	1
2	3AK20130	3AK20130	GEAR,WORM MAIN TRAY	1	1	1	1
3	5MVL177DN001	2FB06810	RING STOPPER 4	1	1	1	1
4	303JY38500	3JY38500	MOUNT STPL UPPER	1	1	1	1
5	3CY07080	3CY07080	BUSHING 6	2	2	2	2
6	5MVX111DN003	2A806250	RING STOPPER /A-49 FEED A4	2	2	2	2
7	303JY38720	3JY38720	GEAR 40 STPL DRIVE	1	1	1	1
8	303JY44010	3JY44010	STAPLER EH590	1	1	1	1
9	303JY34160	3JY34160	LABEL A STAPLER	1	1	1	1
10	303JY37220	3JY37220	STATIC ELIMINATOR CURSOR	3	3	3	3
11	303JY38031	3JY38031	MOUNT STAPLER	1	1	1	1
12	303JY38510	3JY38510	BUSHING STPL BASE	1	1	1	1
13	28107310	49028101	BUSH 8	2	2	2	2
14	303JY38710	3JY38710	GEAR 82 WORM	1	1	1	1
15	5MVL177DN002	2FB06820	RING STOPPER 6	2	2	2	2
16	303JY38532	3JY38532	MOUNT STPL LOWER	1	1	1	1
17	303JY38250	3JY38250	BUSHING 10	2	2	2	2
18	2FB20860	2FB20860	PIN FUSER COVER	2	2	2	2
19	303JY38520	3JY38520	STOPPER PAPER F	1	1	1	1
20	303JY38621	3JY38621	MOUNT PRINT STPL	1	1	1	1
21	303JY38730	3JY38730	STOPPER PAPER R	1	1	1	1
22	303JY38540	3JY38540	RAIL STPL BASE	1	1	1	1
23	5MVM176DN001	3B706020	PULLEY RAIL CASS /40283V0034 A4	1	1	1	1
24	5MVX111DN007	2BT11070	STOPPER 3 /2BT1107 A4	1	1	1	1
25	M2108880	M2108880	SPACER,KGPS-5RF(KITAGAWA)	2	2	2	2
26	2C927210	2C927210	SENSOR 248NL1	2	2	2	2
27	303LT93050	3LT93050	PARTS MOTOR FEED SHIFT	1	1	1	1
28	303JY01030	3JY01030	STAPLER PWB ASS'Y	1	1	1	1
29	303LT46120	3LT46120	WIRE STAPLER UNIT	1	1	1	1
30	M21AH010	M21AH010	BAND,RSG-130-V0(KITAGAWA)	3	3	3	3
31	303JY38230	3JY38230	MOUNT BELT HOLD	1	1	1	1
32	303JY38660	3JY38660	BELT S2M 898	1	1	1	1
33	303JY38610	3JY38610	JOINT STPL BELT	1	1	1	1
34	303LT93040	3LT93040	PARTS MOTOR FEED A	1	1	1	1
35	303JY38590	3JY38590	MOUNT STPL MOTOR	1	1	1	1
36	303JY38090	3JY38090	MOUNT PULLEY TENSION	1	1	1	1
37	303JY38670	3JY38670	PULLEY IDLE 36 32	1	1	1	1
38	303JY38240	3JY38240	SPACER 25	2	2	2	2
39	2BC06910	2BC06910	STOPPER 6	2	2	2	2
40	303JY38011	3JY38011	BASE DRIVE STAPLER	1	1	1	1
41	303JY38601	3JY38601	EDGING FFC	1	1	1	1
42	7YZM390003++H01	YZ042070	ACCESS,CLAMP	2	2	2	2
43	M2104260	M2104260	EDGING,EDS-0607U(KITAGAWA)	1	1	1	1
44	72418140	72418140	SPRING, BLADE	1	1	1	1
45	303LT46100	3LT46100	JUNCTION WIRING STAPLER SENSOR	1	1	1	1
46	303JY38550	3JY38550	STOPPER PAPER STACK	2	2	2	2
47	303JY38560	3JY38560	BUSHING PAPER HOLDER	2	2	2	2
48	303JY38040	3JY38040	SHAFT DRIVE STAPLER	1	1	1	1
49	303JY38630	3JY38630	CUSHION SLIDE RAIL	2	2	2	2
50	303JY38640	3JY38640	SPRING STOPPER	1	1	1	1

Ref. No.	Part.No.	Alternative.	Description	Quantity			
				110	120	230	240
51	2DC12280	2DC12280	STOPPER 8	1	1	1	1
52	303JY38570	3JY38570	GUIDE PAPER STOPPER FRONT	1	1	1	1
53	303JY38580	3JY38580	GUIDE PAPER STOPPER REAR	1	1	1	1
54	303JY46010	3JY46010	WIRE FFC	1	1	1	1
55	303JY38760	3JY38760	GUIDE PLATE	1	1	1	1
56	303JY38770	3JY38770	COLLAR STAPLE UNIT	1	1	1	1
57	303LT38030	3LT38030	COVER BELT	1	1	1	1
58	303LT38040	3LT38040	PULLEY IDLE 32	1	1	1	1
101	7BB100308H1	BB112120	+BIND T.T S SCREW 3X8				
102	7BB700408H	BB105640	+BIND T.T S SCREW 4X8 SR				
103	5MBP2012WXSP	E0020120	SPRING PIN / M2 X 12 S-BLK				
104	7BB007304H	BB105810	+TP-CUP M SCREW 3X4				

- Parts with "*" are component parts or sub-assemblies of the assembly appearing immediately above them.
- Parts with "⊙" indicate regular maintenance parts.

FIG. 6 Middle Tray 1

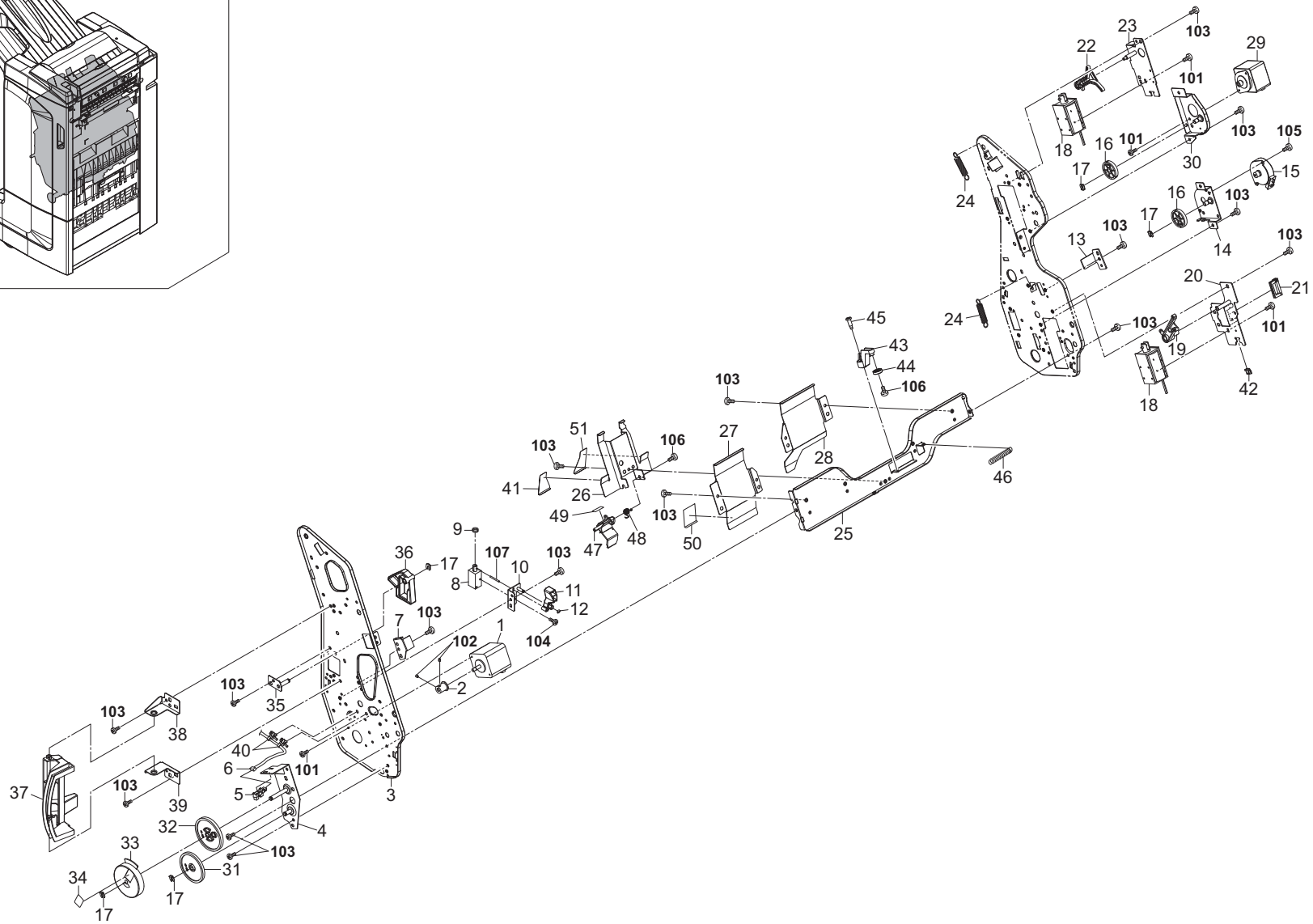
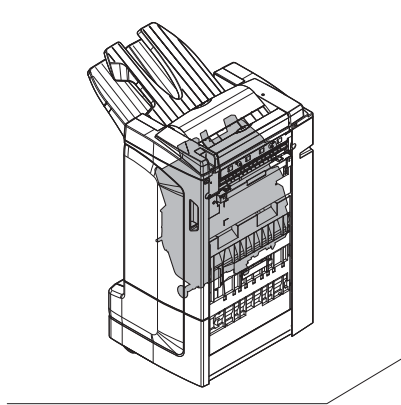


FIG. 6 Middle Tray 1

3LT-3

Ref. No.	Part.No.	Alternative.	Description	Quantity				
				110	120	230	240	
⊙	1	303LT93010	3LT93010	PARTS MOTOR CONVEYING	1	1	1	1
⊙	2	78722151	78722151	PULLEY 20	1	1	1	1
	3	303JY36011	3JY36011	FRAME MT FRONT	1	1	1	1
	4	303JY36790	3JY36790	MOUNT SENSOR	1	1	1	1
⊙	5	2C927210	2C927210	SENSOR 248NL1	1	1	1	1
	6	303JY46300	3JY46300	JUNCTION WIRING LIFT HP SENSOR	1	1	1	1
	7	303JY37550	3JY37550	STOPPER GUIDE LOW F	1	1	1	1
⊙	8	302GR44160	2GR44160	SOLENOID FEED SHIFT	1	1	1	1
	9	2BL21440	2BL21440	SPRING EXIT CHANGE	1	1	1	1
	10	303JY36810	3JY36810	MOUNT HOOK B	1	1	1	1
	11	303JY36820	3JY36820	LEVER HOOK B	1	1	1	1
	12	5MVX111DN007	2BT11070	STOPPER 3 /2BT1107 A4	1	1	1	1
	13	303JY37560	3JY37560	STOPPER GUIDE LOW R	1	1	1	1
	14	303JY36441	3JY36441	MOUNT MOTOR MT A	1	1	1	1
⊙	15	303LT93050	3LT93050	PARTS MOTOR FEED SHIFT	1	1	1	1
⊙	16	3HP07080	3HP07080	GEAR Z60	2	2	2	2
	17	5MVX111DN003	2A806250	RING STOPPER /A-49 FEED A4	5	5	5	5
⊙	18	303JY44070	3JY44070	SOLENOID HOLDER	2	2	2	2
	19	303JY37660	3JY37660	LEVER SOL MT B3	1	1	1	1
	20	303JY36950	3JY36950	MOUNT SOL MT B2	1	1	1	1
	21	M2104250	M2104250	EDGING,EDS-17L(KITAGAWA)	1	1	1	1
	22	303JY37670	3JY37670	LEVER SOL MT D3	1	1	1	1
	23	303JY36930	3JY36930	MOUNT SOL MT D2	1	1	1	1
	24	303JY37100	3JY37100	SPRING PAPER GUIDE R	2	2	2	2
	25	303JY37160	3JY37160	STAY HOLDER UP	1	1	1	1
	26	303JY37010	3JY37010	GUIDE STAPLE UP C	1	1	1	1
	27	303JY36860	3JY36860	GUIDE STAPLE UP F	1	1	1	1
	28	303JY36870	3JY36870	GUIDE STAPLE UP R	1	1	1	1
⊙	29	303LT93020	3LT93020	PARTS MOTOR FEED SHIFT	1	1	1	1
	30	303JY36980	3JY36980	MOUNT MOTOR FEED	1	1	1	1
⊙	31	303JY36770	3JY36770	GEAR Z65-Z24 SENSOR	1	1	1	1
⊙	32	303JY36780	3JY36780	GEAR Z72 SENSOR	1	1	1	1
	33	303JY36800	3JY36800	CUM PULSE	1	1	1	1
	34	303JY34120	3JY34120	LABEL MT LOCK	1	1	1	1
	35	303JY36730	3JY36730	MOUNT HOOK A	1	1	1	1
	36	303JY36740	3JY36740	LEVER HOOK A	1	1	1	1
⊙	37	303JY36900	3JY36900	HANDLE MT LOCK	1	1	1	1
	38	303JY36960	3JY36960	MOUNT HANDLE UP	1	1	1	1
	39	303JY36970	3JY36970	MOUNT HANDLE LOW	1	1	1	1
	40	M21AH010	M21AH010	BAND,RSG-130-V0(KITAGAWA)	2	2	2	2
	41	303JY37231	3JY37231	FILM STAPLE UP	1	1	1	1
	42	M2104390	M2104390	EDGING,EDS-0607L(KITAGAWA)	2	2	2	2
	43	303JY37140	3JY37140	LEVER HOLDER MT	1	1	1	1
	44	2FG06120	2FG06120	COLLAR FEED JOINT	1	1	1	1
	45	302FB12970	2FB12970	PIN SCANNER RETAIN B	1	1	1	1
	46	2BL22820	2BL22820	SPRING PULLEY	1	1	1	1
	47	303JY36881	3JY36881	STOPPER PAPER LOW	1	1	1	1
	48	303JY37030	3JY37030	SPRING STOPPER LOW	1	1	1	1
	49	303JY34180	3JY34180	LABEL D3	1	1	1	1
	50	303JY37350	3JY37350	FILM STAPLE UP F	1	1	1	1

Ref. No.	Part.No.	Alternative.	Description	Quantity			
				110	120	230	240
51	303JY37430	3JY37430	FILM STAPLE UP B	1	1	1	1
101	7BB007304H	BB105810	+TP-CUP M SCREW 3X4				
102	B5394040	B5394040	W-POINT SET SCREW M4X4				
103	7BB700408H	BB105640	+BIND T.T S SCREW 4X8 SR				
104	7BB000P03H	BB107130	+BIND M SCREW 2.6X3				
105	7BB700308H	BB105600	+BIND T.T S SCREW 3X8 SR				
106	7BB202308H	BB105690	+TP-FLAT T.T P SCREW 3X8				
107	E0120220	E0120220	SPRING PIN 2X22(SUS)				

- Parts with "*" are component parts or sub-assemblies of the assembly appearing immediately above them.
- Parts with "⊙" indicate regular maintenance parts.

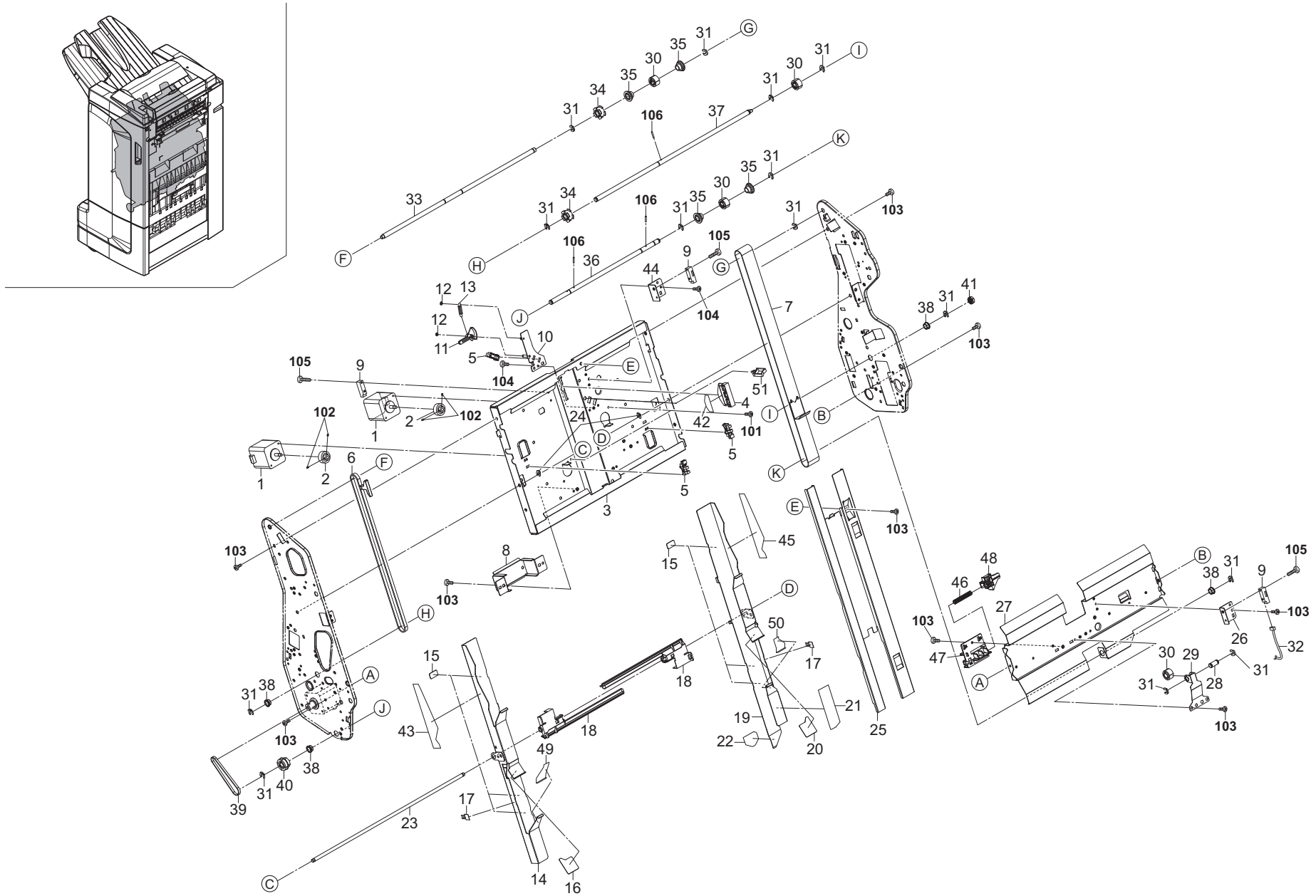


FIG. 7 Middle Tray 2

3LT-3

Ref. No.	Part.No.	Alternative.	Description	Quantity			
				110	120	230	240
⊙ 1	303LT93010	3LT93010	PARTS MOTOR CONVEYING	2	2	2	2
⊙ 2	3AK07080	3AK07080	GEAR,CURSOR MOTOR	2	2	2	2
3	303JY36031	3JY36031	STAY CURSOR MT	1	1	1	1
4	303JY36910	3JY36910	PLATE BELT SENSOR	1	1	1	1
⊙ 5	2C927210	2C927210	SENSOR 248NL1	3	3	3	3
⊙ 6	303JY36290	3JY36290	BELT UPPER MT	1	1	1	1
⊙ 7	303JY36300	3JY36300	BELT LOWER MT	1	1	1	1
8	303JY36640	3JY36640	GUIDE WIRE	1	1	1	1
⊙ 9	3H327410	3H327410	SENSOR,CONVEYING	3	3	3	3
10	303JY36460	3JY36460	MOUNT HP SW	1	1	1	1
11	303JY36470	3JY36470	LEVER MIDDLE BELT SW	1	1	1	1
12	5MVX111DN007	2BT11070	STOPPER 3 /2BT1107 A4	2	2	2	2
13	28220440	48528216	SPRING,PAPER GUIDE	1	1	1	1
14	303JY36100	3JY36100	CURSOL FRONT	1	1	1	1
15	3B807640	3B807640	PAD,CURSOR	6	6	6	6
16	303LT36060	3LT36060	FILM CURSOR F	1	1	1	1
⊙ 17	303JY37220	3JY37220	STATIC ELIMINATOR CURSOR	2	2	2	2
⊙ 18	303JY36120	3JY36120	RACK CURSOR	2	2	2	2
19	303JY36111	3JY36111	CURSOR REAR	1	1	1	1
20	303LT36070	3LT36070	FILM CURSOR R	1	1	1	1
21	303JY37290	3JY37290	FILM CURSOR GUIDE A	1	1	1	1
22	303JY37300	3JY37300	FILM CURSOR GUIDE B	1	1	1	1
23	303JY36270	3JY36270	SHAFT CURSOR	1	1	1	1
24	5MVX111DN003	2A806250	RING STOPPER /A-49 FEED A4	2	2	2	2
25	303JY36040	3JY36040	GUIDE MT LOWER	1	1	1	1
26	303JY36580	3JY36580	MOUNT SW B	1	1	1	1
27	303JY36321	3JY36321	STAY LOW	1	1	1	1
28	303JY37040	3JY37040	SHAFT TENSION MT	1	1	1	1
29	303JY37050	3JY37050	PLATE TENSION MT	1	1	1	1
⊙ 30	303JY36280	3JY36280	PULLEY LOWER BELT	4	4	4	4
31	2BC06910	2BC06910	STOPPER 6	14	14	14	14
32	303LT46250	3LT46250	WIRE LOWER SENSOR	1	1	1	1
33	303JY36220	3JY36220	SHAFT UPPER BELT	1	1	1	1
⊙ 34	3AK07230	3AK07230	PULLEY 20S3M	2	2	2	2
⊙ 35	303JY36680	3JY36680	PULLEY BELT IDLE	4	4	4	4
36	303JY36311	3JY36311	SHAFT LOWER BELT	1	1	1	1
37	303JY36230	3JY36230	SHAFT MIDDLE BELT	1	1	1	1
38	28107310	49028101	BUSH 8	4	4	4	4
⊙ 39	303JY36560	3JY36560	BELT MIDDLE TRAY MOTOR	1	1	1	1
⊙ 40	303JY36720	3JY36720	GEAR Z26-P30 SENSOR	1	1	1	1
⊙ 41	303JY36380	3JY36380	GEAR 24	1	1	1	1
42	303JY37390	3JY37390	SEAL BELT SENSOR	1	1	1	1
43	303JY37410	3JY37410	SHEET CURSOR SIDE F	1	1	1	1
44	303JY36570	3JY36570	MOUNT SW A	1	1	1	1
45	303JY37420	3JY37420	SHEET CURSOR SIDE R	1	1	1	1
46	303JY37020	3JY37020	SPRING COMP LOCK	1	1	1	1
47	303JY37120	3JY37120	BASE LOCK	1	1	1	1
48	303JY37130	3JY37130	PLATE LOCK	1	1	1	1
49	303JY37330	3JY37330	FILM CURSOR GUIDE F	1	1	1	1
50	303JY37340	3JY37340	FILM CURSOR GUIDE R	1	1	1	1

Ref. No.	Part.No.	Alternative.	Description	Quantity			
				110	120	230	240
51	7YZM610007++H01	YZ023340	ACCESS.SADDLE	1	1	1	1
101	7BB007304H	BB105810	+TP-CUP M SCREW 3X4				
102	B5393040	B5393040	W-POINT SET SCREW M3X04				
103	7BB700408H	BB105640	+BIND T.T S SCREW 4X8 SR				
104	7BB700308H	BB105600	+BIND T.T S SCREW 3X8 SR				
105	7BB700314H	BB105610	+BIND T.T S SCREW 3X14 SR				
106	5MBP2012WXSP	E0020120	SPRING PIN / M2 X 12 S-BLK				

- Parts with "*" are component parts or sub-assemblies of the assembly appearing immediately above them.
- Parts with "⊙" indicate regular maintenance parts.

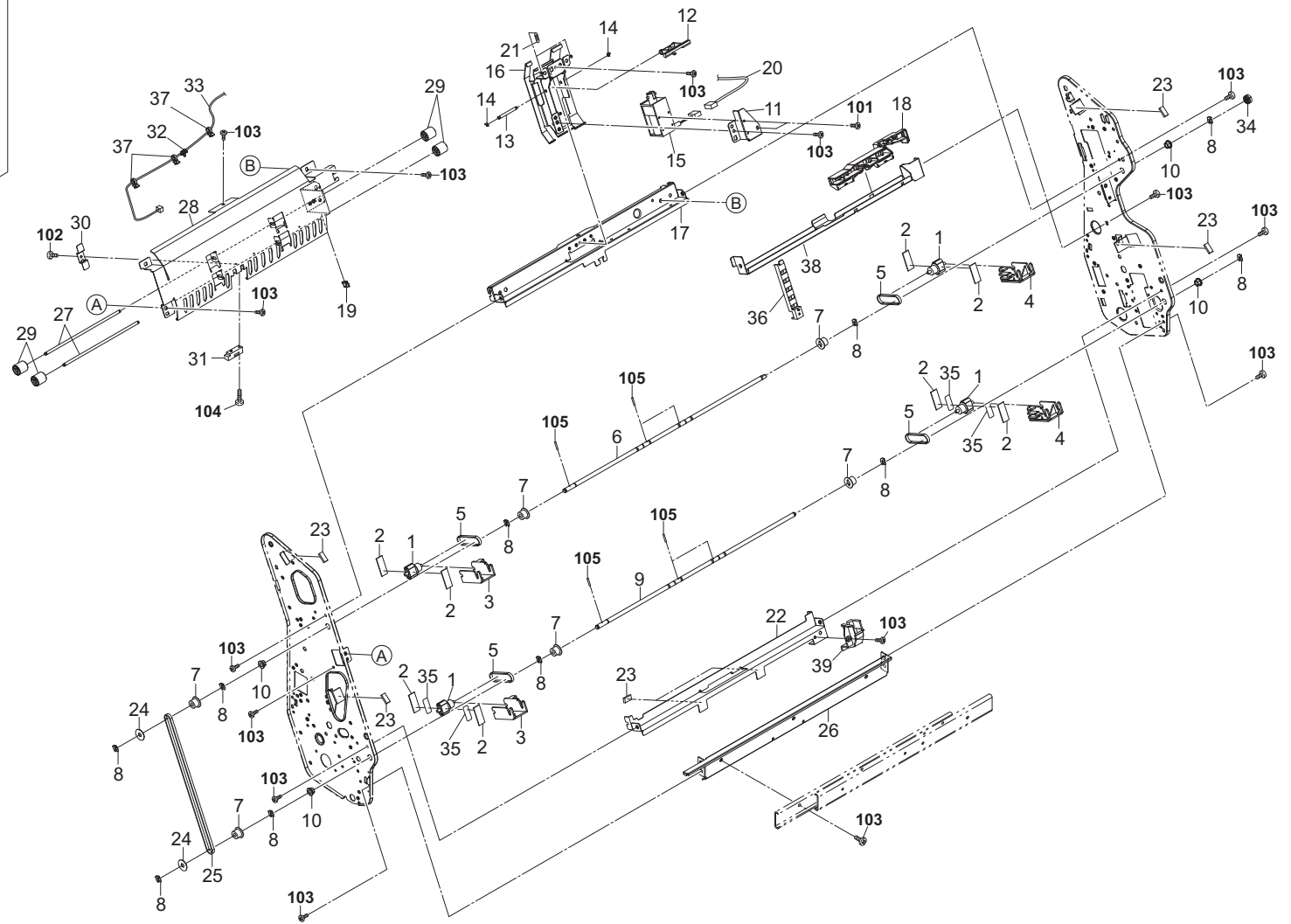
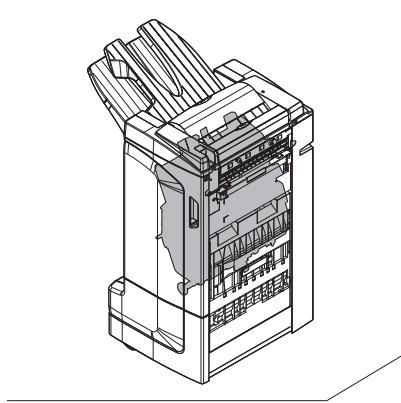


FIG. 8 Middle Tray 3

3LT-3

Ref. No.	Part.No.	Alternative.	Description	Quantity				Ref. No.	Part.No.	Alternative.	Description	Quantity			
				110	120	230	240					110	120	230	240
1	3AK08300	3AK08300	ROLLER,LEADING FEED	4	4	4	4	101	7BB007304H	BB105810	+TP-CUP M SCREW 3X4				
2	3B807820	3B807820	SHEET,LEADING FEED ROLLER	8	8	8	8	102	7BB700308H	BB105600	+BIND T.T S SCREW 3X8 SR				
3	3B807410	3B807410	FRONT SUPPORT PLATE,FEED PULLEY	2	2	2	2	103	7BB700408H	BB105640	+BIND T.T S SCREW 4X8 SR				
4	3B807420	3B807420	REAR SUPPORT PLATE,FEED PULLEY	2	2	2	2	104	7BB700314H	BB105610	+BIND T.T S SCREW 3X14 SR				
5	303H307180	3H307180	BELT FEED PULLEY	4	4	4	4	105	E0020080	E0020080	SPRING PIN 2X8				
6	303JY36240	3JY36240	SHAFT FEED UPPER	1	1	1	1								
7	76514050	76514050	PULLEY 20 DRIVE	6	6	6	6								
8	5MVX111DN003	2A806250	RING STOPPER /A-49 FEED A4	10	10	10	10								
9	303JY36250	3JY36250	SHAFT FEED LOWER	1	1	1	1								
10	3CY07080	3CY07080	BUSHING 6	4	4	4	4								
11	303LT36030	3LT36030	MOUNT PADDLE SOL	1	1	1	1								
12	303JY36480	3JY36480	LEVER SOL PADDLE A	1	1	1	1								
13	303JY36510	3JY36510	SHAFT SOL PADDLE	1	1	1	1								
14	5MVX111DN007	2BT11070	STOPPER 3 /2BT1107 A4	2	2	2	2								
15	303JY44070	3JY44070	SOLENOID HOLDER	1	1	1	1								
16	303LT36020	3LT36020	GUIDE MT UP	1	1	1	1								
17	303JY36370	3JY36370	STAY FEED	1	1	1	1								
18	303LT36040	3LT36040	GUIDE WIRE PADDLE	1	1	1	1								
19	M2104390	M2104390	EDGING,EDS-0607L(KITAGAWA)	1	1	1	1								
20	303LT46170	3LT46170	JUNCTION WIRING SOLENOID	1	1	1	1								
21	303JY37110	3JY37110	SPRING FEED PULLEY	2	2	2	2								
22	303JY37071	3JY37071	STAY FEED LOW	1	1	1	1								
23	63213320	63213320	CUSHION,ORIGINAL COLLECTION	6	6	6	6								
24	75714210	75714210	COLLAR DEVELOPING UNIT	2	2	2	2								
25	303JY36520	3JY36520	BELT FEED PULLEY	1	1	1	1								
26	303JY36090	3JY36090	RIGHT STAY SLIDER	1	1	1	1								
27	303JY36540	3JY36540	SHAFT PULLEY A4	2	2	2	2								
28	303JY36172	3JY36172	GUIDE LOWER A4	1	1	1	1								
29	2BL21330	2BL21330	PULLEY FEED SHIFT	4	4	4	4								
30	303JY36690	3JY36690	PLATE SPRING CONVEYING	1	1	1	1								
31	3H327410	3H327410	SENSOR,CONVEYING	1	1	1	1								
32	M21AH010	M21AH010	BAND,RSG-130-V0(KITAGAWA)	1	1	1	1								
33	303LT46160	3LT46160	WIRE UPPER SENSOR	1	1	1	1								
34	303JY36380	3JY36380	GEAR 24	1	1	1	1								
35	303JY37150	3JY37150	FILM PADDLE	4	4	4	4								
36	303LT02040	3LT02040	GUIDE WIRE C	1	1	1	1								
37	7YZM420003++H01	YZ052580	ACCESS.BAND	3	3	3	3								
38	303LT36010	3LT36010	STAY PADDLE SOL	1	1	1	1								
39	303JY37760	3JY37760	GUIDE WIRE A	1	1	1	1								

- Parts with "*" are component parts or sub-assemblies of the assembly appearing immediately above them.
- Parts with "⊙" indicate regular maintenance parts.

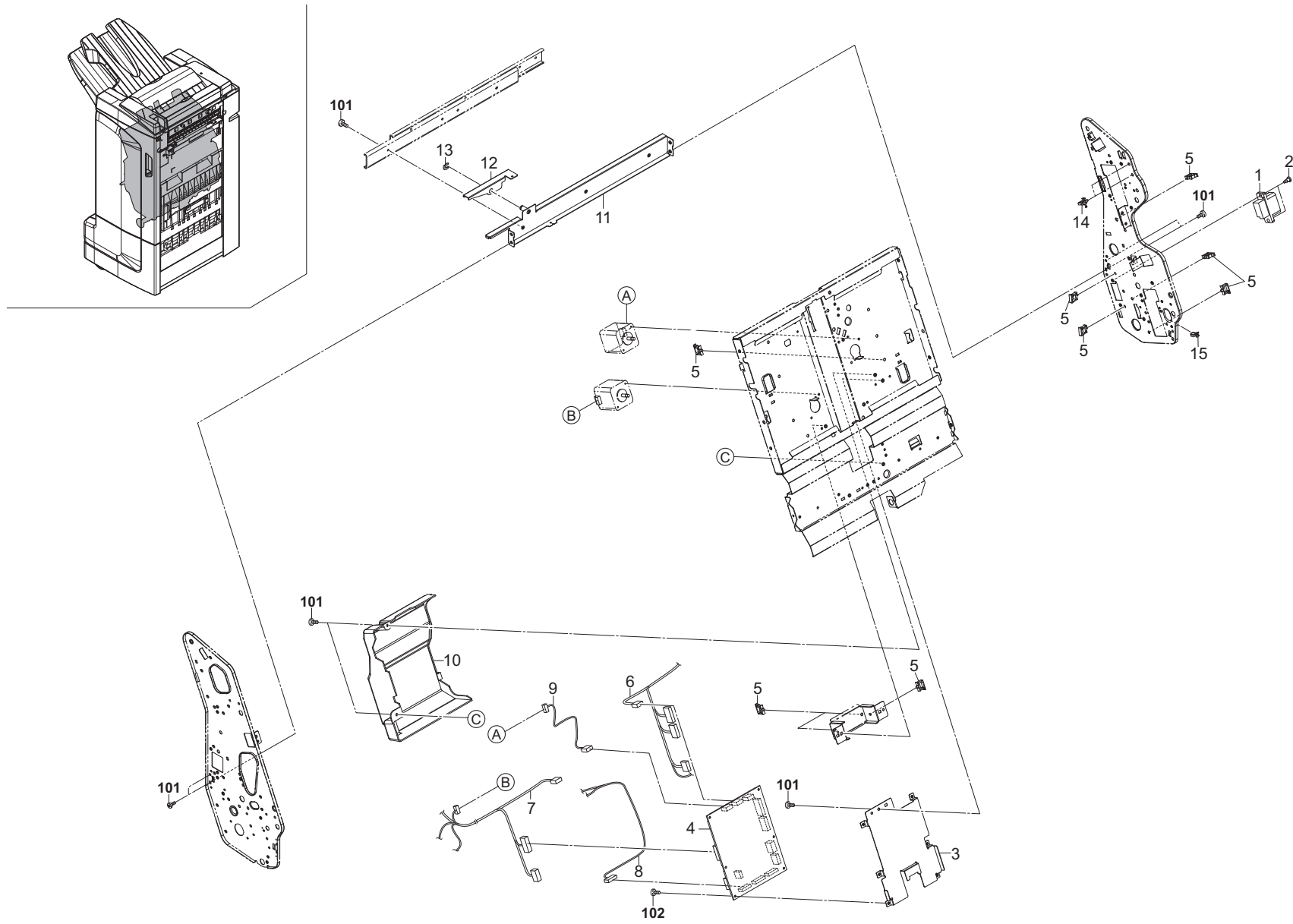


FIG. 9 Middle Tray 4

3LT-2

Ref. No.	Part.No.	Alternative.	Description	Quantity				
				110	120	230	240	
⊙	1	303LT46240	3LT46240	WIRE INTERFACE MDTRAY	1	1	1	1
	2	2FB16270	2FB16270	PIN DRAWER A	2	2	2	2
	3	303LT36050	3LT36050	MOUNT PWB MT	1	1	1	1
	4	303LT94020	3LT94020	PARTS MIDDLE PWB ASSY SP	1	1	1	1
	5	7YZM610001++H01	YZ010230	ACCESS SADDLE	9	9	9	9
	6	303LT46010	3LT46010	WIRE MIDDLE TRAY A	1	1	1	1
	7	303LT46020	3LT46020	WIRE MIDDLE TRAY B	1	1	1	1
	8	303LT46030	3LT46030	WIRE MIDDLE TRAY C	1	1	1	1
	9	303LT46130	3LT46130	WIRE SIDE REGIST MOTOR	1	1	1	1
	10	303JY36920	3JY36920	COVER PWB MT	1	1	1	1
	11	303JY36080	3JY36080	LEFT STAY SLIDER MT	1	1	1	1
	12	303JY36750	3JY36750	PLATE HOOK MT	1	1	1	1
	13	2BC06910	2BC06910	STOPPER 6	1	1	1	1
	14	M21AH010	M21AH010	BAND,RSG-130-V0(KITAGAWA)	2	2	2	2
	15	7YZM420003++H01	YZ052580	ACCESS.BAND	1	1	1	1

Ref. No.	Part.No.	Alternative.	Description	Quantity			
				110	120	230	240
101	7BB700408H	BB105640	+BIND T.T S SCREW 4X8 SR				
102	7BB700308H	BB105600	+BIND T.T S SCREW 3X8 SR				

- Parts with "*" are component parts or sub-assemblies of the assembly appearing immediately above them.
- Parts with "⊙" indicate regular maintenance parts.

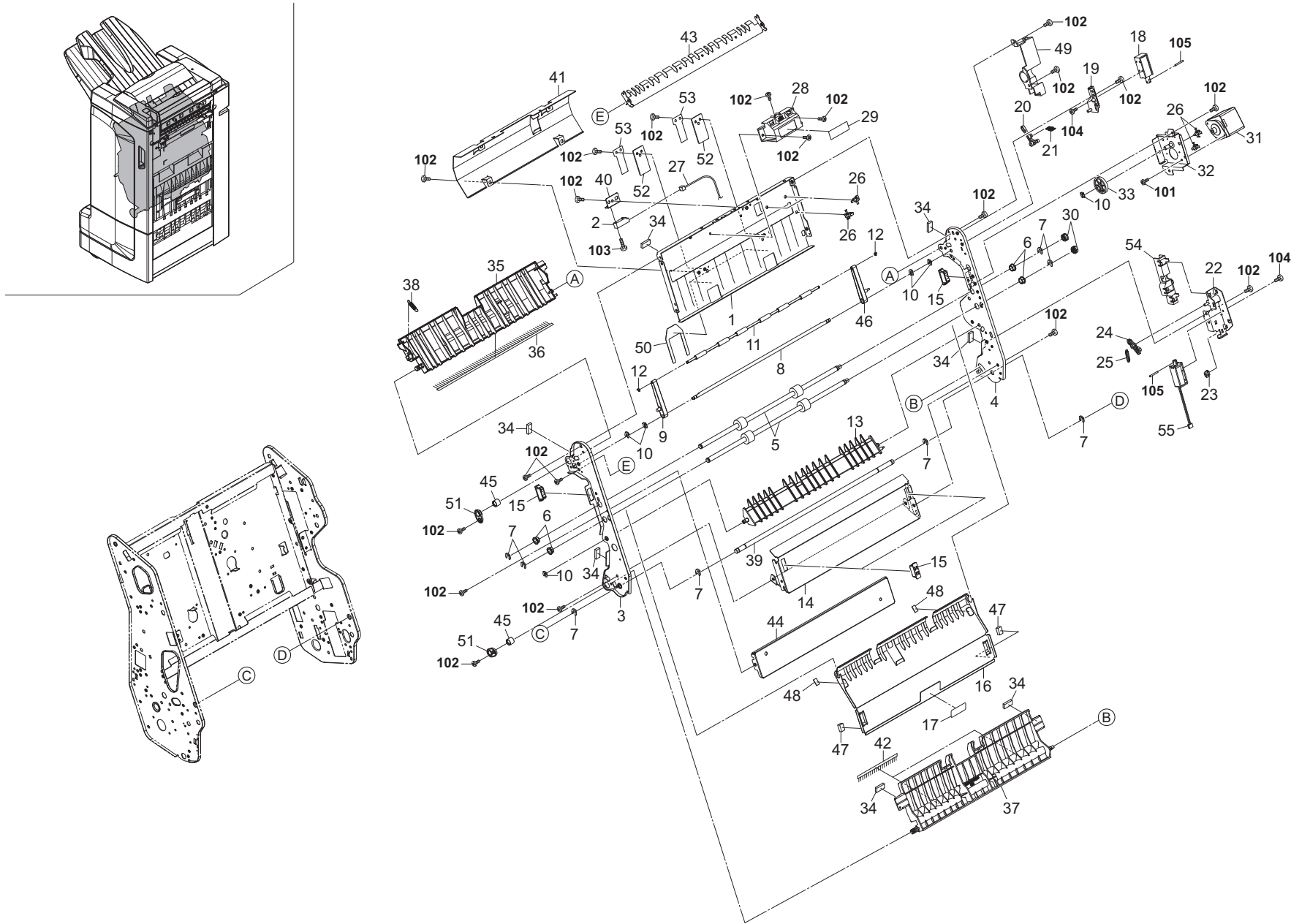


FIG. 10 Middle Tray 5

3LT-3

Ref. No.	Part.No.	Alternative.	Description	Quantity			
				110	120	230	240
1	303JY36161	3JY36161	GUIDE UPPER A4	1	1	1	1
2	3H327410	3H327410	SENSOR,CONVEYING	1	1	1	1
3	303JY37511	3JY37511	FRAME MT UP FRONT	1	1	1	1
4	303JY37521	3JY37521	FRAME MT UP REAR	1	1	1	1
5	303JY36200	3JY36200	ROLLER MT	2	2	2	2
6	28107310	49028101	BUSH 8	4	4	4	4
7	2BC06910	2BC06910	STOPPER 6	8	8	8	8
8	303JY37630	3JY37630	SHAFT UPPER CLAW A	1	1	1	1
9	303JY37620	3JY37620	LEVER UPPER CLAW F	1	1	1	1
10	5MVX111DN003	2A806250	RING STOPPER /A-49 FEED A4	6	6	6	6
11	303JY37650	3JY37650	ROLLER UPPER CLAW	1	1	1	1
12	5MVX111DN007	2BT11070	STOPPER 3 /2BT1107 A4	2	2	2	2
13	303JY36151	3JY36151	CLAW LOWER FEED	1	1	1	1
14	303JY36360	3JY36360	GUIDE BF CONVAIN LOW	1	1	1	1
15	2FB17200	2FB17200	MAGNET UPPER REG GUIDE	4	4	4	4
16	303JY36351	3JY36351	GUIDE BF CONVAIN UP	1	1	1	1
17	303JY34100	3JY34100	LABEL D7	1	1	1	1
18	303JY44050	3JY44050	SOLENOID FEED SHIFT	1	1	1	1
19	303JY37610	3JY37610	MOUNT SOL MT A	1	1	1	1
20	303JY37600	3JY37600	LEVER SOL MT A	1	1	1	1
21	303JY37260	3JY37260	SPRING SOL A	1	1	1	1
22	303JY37790	3JY37790	MOUNT SOL MT C	1	1	1	1
23	M2104350	M2104350	EDGING,EDS-0607M(KITAGAWA)	1	1	1	1
24	303JY36630	3JY36630	LEVER SOL MT C	1	1	1	1
25	303JY37690	3JY37690	SPRING BF SOL	1	1	1	1
26	M21AH010	M21AH010	BAND,RSG-130-V0(KITAGAWA)	5	5	5	5
27	303LT46140	3LT46140	WIRE UPPER UNIT	1	1	1	1
28	303JY37680	3JY37680	HANDLE MT RELEASE	1	1	1	1
29	303JY34090	3JY34090	LABEL D6	1	1	1	1
30	303JY36380	3JY36380	GEAR 24	2	2	2	2
31	303LT93030	3LT93030	PARTS MOTOR PAPER FEED	1	1	1	1
32	303JY36672	3JY36672	MOUNT MOTOR BYPASS	1	1	1	1
33	3HP07080	3HP07080	GEAR Z60	1	1	1	1
34	63213320	63213320	CUSHION,ORIGINAL COLLECTION	7	7	7	7
35	303JY37181	3JY37181	GUIDE PAPER UPPER	1	1	1	1
36	303JY37400	3JY37400	DISCHARGER GUIDE UP	1	1	1	1
37	303JY36841	3JY36841	GUIDE PAPER LOW	1	1	1	1
38	303JY37190	3JY37190	SPRING PAPER GUIDE F	1	1	1	1
39	303JY36430	3JY36430	SHAFT FULCRUM MT	1	1	1	1
40	303JY37310	3JY37310	MOUNT SW GUIDE	1	1	1	1
41	303JY37531	3JY37531	GUIDE FEED SUB	1	1	1	1
42	303JY37250	3JY37250	STATIC ELIMINATOR GUIDE	2	2	2	2
43	303JY37540	3JY37540	GUIDE FEED LOW	1	1	1	1
44	303JY37361	3JY37361	PLATE MT UP	1	1	1	1
45	303JY37580	3JY37580	SLIDER GUIDE	2	2	2	2
46	303JY37740	3JY37740	LEVER UPPER CLAW R	1	1	1	1
47	303JY37700	3JY37700	CUSHION BF	2	2	2	2
48	303JY37710	3JY37710	CUSHION GUIDE BF	2	2	2	2
49	303JY37781	3JY37781	GUIDE WIRE C	1	1	1	1
50	303JY37810	3JY37810	SHEET BYPASS	2	2	2	2

Ref. No.	Part.No.	Alternative.	Description	Quantity			
				110	120	230	240
51	303JY37570	3JY37570	BUSH GUIDE F	2	2	2	2
52	303JY37820	3JY37820	GUIDE ROLLER U	2	2	2	2
53	303JY37830	3JY37830	SHEET ROLLER U	2	2	2	2
54	303JY37770	3JY37770	GUIDE WIRE B	1	1	1	1
55	303JY44080	3JY44080	SOLENOID FEED SHIFT 2	1	1	1	1
101	7BB007304H	BB105810	+TP-CUP M SCREW 3X4				
102	7BB700408H	BB105640	+BIND T.T S SCREW 4X8 SR				
103	7BB700314H	BB105610	+BIND T.T S SCREW 3X14 SR				
104	7BB007303H	BB105750	+TP-CUP M SCREW 3X3				
105	E0120200	E0120200	SPRING PIN 2X20(SUS)				

- Parts with "*" are component parts or sub-assemblies of the assembly appearing immediately above them.
- Parts with "⊙" indicate regular maintenance parts.

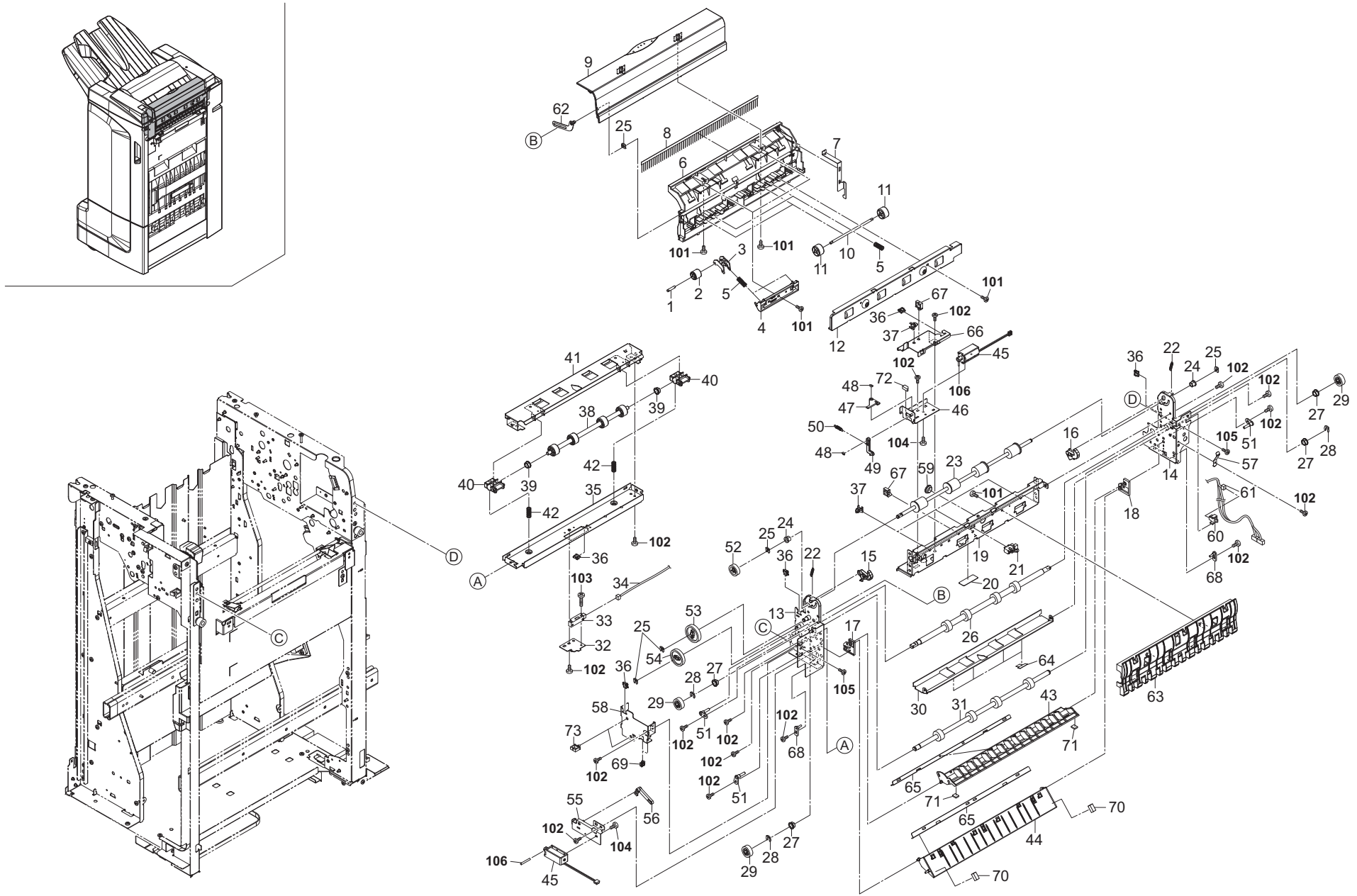


FIG. 11 Paper Conveying Section 1

3LT-3

Ref. No.	Part.No.	Alternative.	Description	Quantity			
				110	120	230	240
1	3H608150	3H608150	SHAFT C PULLEY	4	4	4	4
2	3H608200	3H608200	PULLEY CONVEYING	4	4	4	4
3	303H608091	3H608091	HOLDER C PULLEY	4	4	4	4
4	303JY24200	3JY24200	MOUNT C PULLEY	2	2	2	2
5	3H608230	3H608230	SPRING C PULLEY	6	6	6	6
6	303LT24020	3LT24020	GUIDE RIGHT SUB	1	1	1	1
7	303JY24270	3JY24270	PLATE ELEC RIGHT EXIT	1	1	1	1
8	303JY24820	3JY24820	STATIC ELIMINATOR SUB C	1	1	1	1
9	303LT24010	3LT24010	COVER RIGHT SUB	1	1	1	1
10	303JY24190	3JY24190	SHAFT RIGHT PULLEY	2	2	2	2
11	3B816560	3B816560	COLLAR TOP,SUB CONVEYING	4	4	4	4
12	303JY24370	3JY24370	STAY RIGHT COVER SUB	1	1	1	1
13	303JY24AE0	3JY24AE0	FRAME FRONT FEED	1	1	1	1
14	303JY24231	3JY24231	FRAME REAR SU	1	1	1	1
15	303JY24240	3JY24240	HOOK FRONT RIGHT COVER	1	1	1	1
16	303JY24380	3JY24380	HOOK REAR RIGHT COVER	1	1	1	1
17	303JY24A30	3JY24A30	FRONT BRACKET FEED	1	1	1	1
18	303JY24A40	3JY24A40	REAR BRACKET FEED	1	1	1	1
19	303JY24091	3JY24091	GUIDE RIGHT CONVEYING	1	1	1	1
20	303KB28010	3KB28010	PAD JS SENSOR	1	1	1	1
21	302FB27241	2FB27241	SWITCH FEED A	1	1	1	1
22	303JY24680	3JY24680	SPRING EXIT HOOK	2	2	2	2
23	303JY24020	3JY24020	ROLLER CONVEYING A	1	1	1	1
24	3CY07080	3CY07080	BUSHING 6	2	2	2	2
25	5MVX111DN003	2A806250	RING STOPPER /A-49 FEED A4	5	5	5	5
26	303JY24310	3JY24310	ROLLER FEED LOW	1	1	1	1
27	28107310	49028101	BUSH 8	4	4	4	4
28	2BC06910	2BC06910	STOPPER 6	3	3	3	3
29	303H316330	3H316330	GEAR25 FEED IN	3	3	3	3
30	303JY24460	3JY24460	UPPER GUIDE FEED SU	1	1	1	1
31	303JY24030	3JY24030	ROLLER CONVEYING B	1	1	1	1
32	303JY24600	3JY24600	MOUNT FEED IN SWITCH	1	1	1	1
33	303H327500	3H327500	SENSOR FEED B	1	1	1	1
34	303JY46160	3JY46160	JUNCTION WIRING C SENSOR	1	1	1	1
35	303JY24480	3JY24480	LOWER STAY SU	1	1	1	1
36	M2104350	M2104350	EDGING,EDS-0607M(KITAGAWA)	5	5	5	5
37	M21AH010	M21AH010	BAND,RSG-130-V0(KITAGAWA)	4	4	4	4
38	303H316231	3H316231	UPPER ROLLER FEED IN	1	1	1	1
39	68822330	68822330	BEARING,DRIVE	2	2	2	2
40	303H316261	3H316261	LEVER REGIST PRESSURE	2	2	2	2
41	303JY24470	3JY24470	LOWER GUIDE FEED SU	1	1	1	1
42	3H316640	3H316640	SPRING FEED SHIFT	2	2	2	2
43	303JY24060	3JY24060	GUIDE UNIT PUNCH PC	1	1	1	1
44	303JY24070	3JY24070	GUIDE MT SST PC	1	1	1	1
45	303JY44060	3JY44060	SOLENOID DIVERGENCE	2	2	2	2
46	303JY24421	3JY24421	MOUNT SOLENOID UP SUB	1	1	1	1
47	303JY24430	3JY24430	LEVER SOLENOID A	1	1	1	1
48	5MVX111DN007	2BT11070	STOPPER 3 /2BT1107 A4	2	2	2	2
49	303JY24440	3JY24440	LEVER SOLENOID B	1	1	1	1
50	75915180	75915180	SPRING SUB DEV.UNIT LOCK LEVER	1	1	1	1

Ref. No.	Part.No.	Alternative.	Description	Quantity			
				110	120	230	240
51	303JY24360	3JY24360	PIN FULCRUM SUB	3	3	3	3
52	303JY24410	3JY24410	GEAR 25 SUB	1	1	1	1
53	303JY31140	3JY31140	GEAR 41	1	1	1	1
54	18312270	18312270	GEAR 39,EJECT DRIVE	1	1	1	1
55	303JY24A60	3JY24A60	MOUNT SOLENOID FEED	1	1	1	1
56	303JY24A51	3JY24A51	LEVER SOLENOID FEED	1	1	1	1
57	302FB19750	2FB19750	GROUND PLATE SIDE REG	1	1	1	1
58	303JY24611	3JY24611	GUIDE WIRE SU	1	1	1	1
59	7YZM110001++H01	YZ009420	ACCESS.BUSHING	1	1	1	1
60	66127010	66127010	SWITCH,COVER OPEN	1	1	1	1
61	303LT46260	3LT46260	WIRE EJECT SENSOR 2	1	1	1	1
62	303JY24350	3JY24350	PLATE JUNCTION SUB	1	1	1	1
63	303JY24490	3JY24490	RIGHT GUIDE FEED SU	1	1	1	1
64	303JY24710	3JY24710	FILM FEED IN SU	4	4	4	4
65	303JY24800	3JY24800	REINFORCEMENT CLAW FI	2	2	2	2
66	303JY24811	3JY24811	GUIDE WIRE FI SOL	1	1	1	1
67	7YZM610001++H01	YZ010230	ACCESS SADDLE	2	2	2	2
68	303JY24A80	3JY24A80	STOPPER FEED	2	2	2	2
69	M70AK010	M70AK010	WIRE SADDLE,RMS-1V0(TAKEUCHI)	2	2	2	2
70	303JY24AA0	3JY24AA0	CUSHION FEED	2	2	2	2
71	303JY24AB0	3JY24AB0	CUSHION C ON	2	2	2	2
72	303JY24AC0	3JY24AC0	CUSHION C OFF	1	1	1	1
73	7YZM610007++H01	YZ023340	ACCESS.SADDLE	2	2	2	2
101	7BB202308H	BB105690	+TP-FLAT T.T P SCREW 3X8				
102	7BB700308H	BB105600	+BIND T.T S SCREW 3X8 SR				
103	7BB700314H	BB105610	+BIND T.T S SCREW 3X14 SR				
104	7BB007303H	BB105750	+TP-CUP M SCREW 3X3				
105	7BB700408H	BB105640	+BIND T.T S SCREW 4X8 SR				
106	E0120220	E0120220	SPRING PIN 2X22(SUS)				

- Parts with "*" are component parts or sub-assemblies of the assembly appearing immediately above them.
- Parts with "⊙" indicate regular maintenance parts.

FIG. 12 Paper Conveying Section 2

3LT-3

Ref. No.	Part.No.	Alternative.	Description	Quantity				Ref. No.	Part.No.	Alternative.	Description	Quantity			
				110	120	230	240					110	120	230	240
1	303JY24500	3JY24500	GUIDE MT FEED IN	1	1	1	1	⊙ 51	303JY24630	3JY24630	GEAR 24	1	1	1	1
2	3B816040	3B816040	SHAFT,CONVEYING PULLEY	2	2	2	2	⊙ 52	2BC22150	2BC22150	GEAR 24,REGISTRATION	2	2	2	2
3	3H316570	3H316570	GUIDE CONVEYING PULLEY	2	2	2	2	⊙ 53	303JY31150	3JY31150	PULLEY 42	1	1	1	1
4	303H316360	3H316360	SPRING CONVEYING	4	4	4	4	54	302FB05531	2FB05531	LABEL CAUTION FUSER UNIT	1	1	1	1
5	3B816560	3B816560	COLLAR TOP,SUB CONVEYING	4	4	4	4	⊙ 55	3B816920	3B816920	STATIC ELIMINATOR,SUB EJECT	1	1	1	1
6	303JY24591	3JY24591	STAY CONVEYING	1	1	1	1	56	M70AK010	M70AK010	WIRE SADDLE,RMS-1V0(TAKEUCHI)	1	1	1	1
7	303JY24620	3JY24620	GUIDE DECURLER	1	1	1	1	57	3H316290	3H316290	RIGHT GUIDE CONVEYING	1	1	1	1
8	303JY24570	3JY24570	FRONT MOUNT CONVEYING	1	1	1	1	58	2FB20860	2FB20860	PIN FUSER COVER	1	1	1	1
9	303JY24580	3JY24580	REAR MOUNT CONVEYING	1	1	1	1	59	303JY24A70	3JY24A70	PLATE CONVEYING	1	1	1	1
10	303JY24650	3JY24650	MOUNT FRONT LEVER	1	1	1	1	60	M2104350	M2104350	EDGING,EDS-0607M(KITAGAWA)	1	1	1	1
11	303JY24660	3JY24660	MOUNT REAR LEVER	1	1	1	1	61	7YZM610007++H01	YZ023340	ACCESS,SADDLE	1	1	1	1
⊙ 12	303JY24160	3JY24160	GUIDE MT ST PC	1	1	1	1	62	303JY24A90	3JY24A90	COVER WIRE	1	1	1	1
13	5MVX111DN003	2A806250	RING STOPPER /A-49 FEED A4	10	10	10	10	63	303JY24AD0	3JY24AD0	CUSHION B	2	2	2	2
⊙ 14	303JY44060	3JY44060	SOLENOID DIVERGENCE	1	1	1	1								
15	303JY24A00	3JY24A00	HOLDER GUIDE SW B	1	1	1	1								
⊙ 16	302FB27241	2FB27241	SWITCH FEED A	1	1	1	1								
17	303JY24A10	3JY24A10	GUIDE LEFT CONVEYING B	1	1	1	1								
18	303JY24A20	3JY24A20	LEVER SOLENOID MDL	1	1	1	1								
19	60120050	60120050	SPRING SEPARATION CLAW	1	1	1	1	101	7BB700408H	BB105640	+BIND T.T S SCREW 4X8 SR				
20	M21AH010	M21AH010	BAND,RSG-130-V0(KITAGAWA)	1	1	1	1	102	7BB007303H	BB105750	+TP-CUP M SCREW 3X3				
21	303CG02021	3CG02021	SUPPORT PLATE,COVER	1	1	1	1	103	7BB100308H1	BB112120	+BIND T.T S SCREW 3X8				
⊙ 22	303JY24040	3JY24040	ROLLER CONVEYING C	1	1	1	1	104	5MBP2014WXSP	E0020140	SPRING PIN / M2 X 14 S-BLK				
⊙ 23	303JY24250	3JY24250	ROLLER CONVEYING E	1	1	1	1	105	5MBP2010WXSP	E0020100	SPRING PIN / M2 X 10 S-BLK				
24	28107310	49028101	BUSH 8	6	6	6	6	106	5MBP2012WXSP	E0020120	SPRING PIN / M2 X 12 S-BLK				
25	2BC06910	2BC06910	STOPPER 6	20	20	20	20	107	E0120220	E0120220	SPRING PIN 2X22(SUS)				
26	303JY24930	3JY24930	ROLLER PRESS LOW	2	2	2	2	108	B4A04060	B4A04060	+TP-A SCREW M4X06(TRIVALENT CHROM				
⊙ 27	74808080	74808080	BEARING,686ZZNR	8	8	8	8								
28	303JY24940	3JY24940	SHAFT DEC PRE	2	2	2	2								
29	303B816191	3B816191	CAM DECURLER	4	4	4	4								
⊙ 30	303JY24340	3JY24340	ROLLER UPPER PRESSURE	1	1	1	1								
⊙ 31	303JY24330	3JY24330	ROLLER PRESSURE DRIVE	1	1	1	1								
32	28107390	49028112	BUSH 8,LOWER REG.ROLLER	2	2	2	2								
33	3H608150	3H608150	SHAFT C PULLEY	4	4	4	4								
⊙ 34	3H608200	3H608200	PULLEY CONVEYING	4	4	4	4								
35	303H608091	3H608091	HOLDER C PULLEY	4	4	4	4								
36	303JY24700	3JY24700	GUIDE RIGHT EXIT B	1	1	1	1								
37	303JY34040	3JY34040	LABEL D1	1	1	1	1								
38	3H608230	3H608230	SPRING C PULLEY	4	4	4	4								
39	3B802170	3B802170	SUPPORT PLATE,HOOK	1	1	1	1								
40	303JY24390	3JY24390	LOWER GUIDE FEED SHIFT	1	1	1	1								
41	303JY24400	3JY24400	FILM FEED SHIFT GUIDE	1	1	1	1								
42	303LT46150	3LT46150	WIRE EJECT SENSOR 1	1	1	1	1								
43	303JY24950	3JY24950	MOUNT LEVER DECURLER	1	1	1	1								
44	3H316730	3H316730	LEVER PRESSING PLATE	2	2	2	2								
45	74318270	74318270	SPRING,TONER DISPOSAL	2	2	2	2								
46	3H316720	3H316720	LEVER DECURLER PRESSURE	2	2	2	2								
47	3B816410	3B816410	HANDLE,DECURLER	1	1	1	1								
48	303JY24690	3JY24690	SHIELD PLATE SW	1	1	1	1								
⊙ 49	303JY24050	3JY24050	ROLLER CONVEYING D	1	1	1	1								
⊙ 50	66022190	66022190	GEAR,21 DEVELOPING	2	2	2	2								

- Parts with "*" are component parts or sub-assemblies of the assembly appearing immediately above them.
- Parts with "⊙" indicate regular maintenance parts.

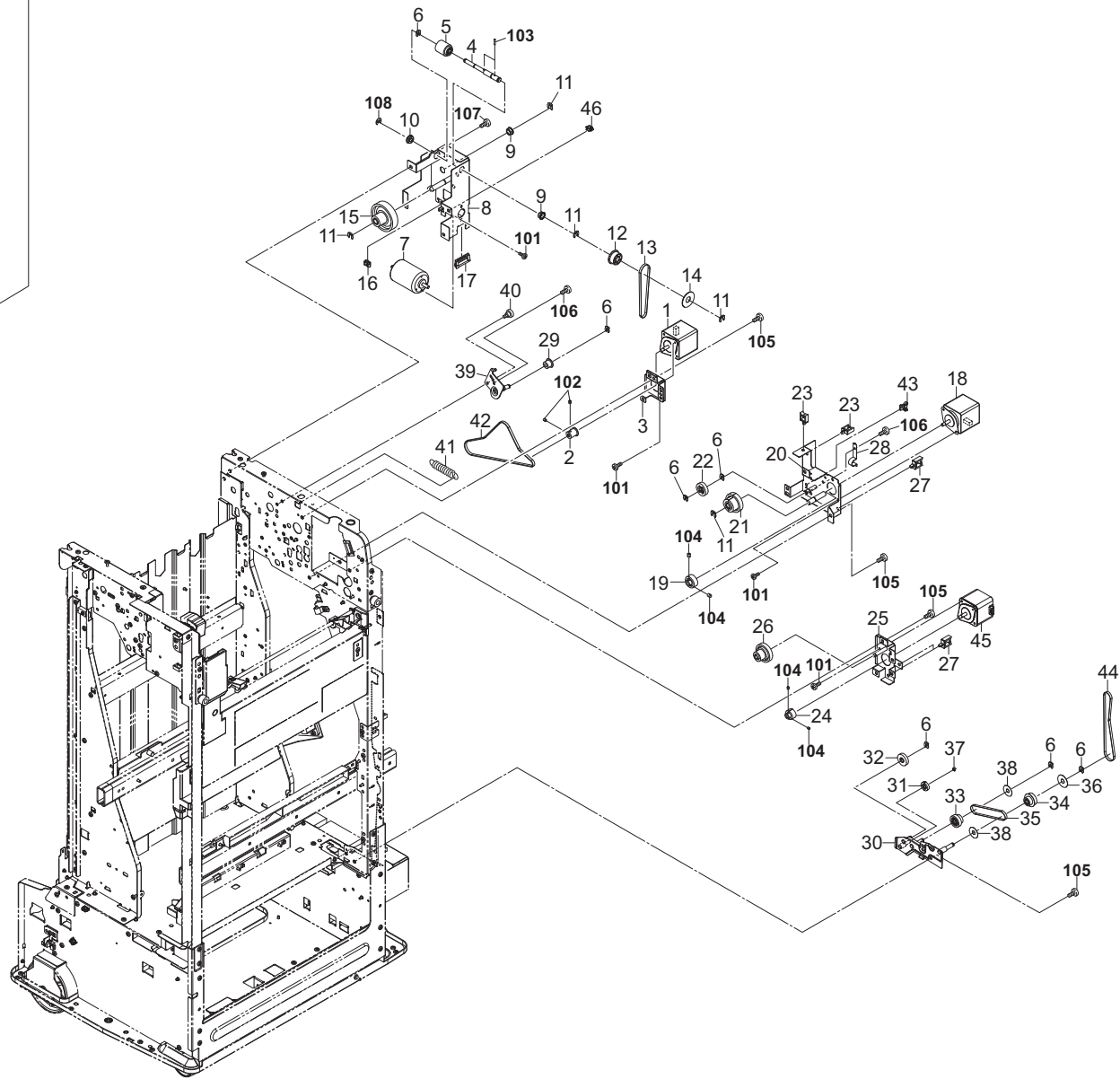
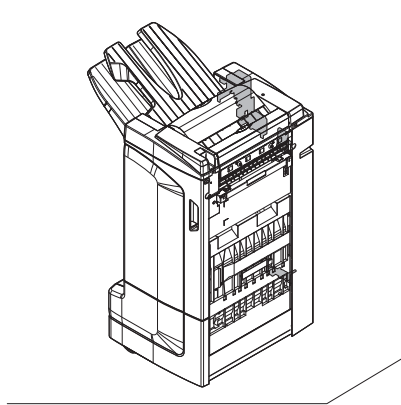


FIG. 13 Drive Section

3LT-3

Ref. No.	Part.No.	Alternative.	Description	Quantity				Ref. No.	Part.No.	Alternative.	Description	Quantity				
				110	120	230	240					110	120	230	240	
⊙	1	303LT93010	3LT93010	PARTS MOTOR CONVEYING	1	1	1	1	101	7BB007304H	BB105810	+TP-CUP M SCREW 3X4				
⊙	2	78722151	78722151	PULLEY 20	1	1	1	1	102	B5394040	B5394040	W-POINT SET SCREW M4X4				
⊙	3	303JY31060	3JY31060	MOUNT MOTOR EJECT	1	1	1	1	103	5MBP2012WXSP	E0020120	SPRING PIN / M2 X 12 S-BLK				
⊙	4	303JY31330	3JY31330	SHAFT LIFT MAIN TRAY B	1	1	1	1	104	B5393040	B5393040	W-POINT SET SCREW M3X04				
⊙	5	3AK20130	3AK20130	GEAR,WORM MAIN TRAY	1	1	1	1	105	7BB700408H	BB105640	+BIND T.T S SCREW 4X8 SR				
⊙	6	5MVX111DN003	2A806250	RING STOPPER /A-49 FEED A4	7	7	7	7	106	7BB700308H	BB105600	+BIND T.T S SCREW 3X8 SR				
⊙	7	303H327510	3H327510	MOTOR,MAIN TRAY	1	1	1	1	107	7BB100406H	BB106920	+BIND T.T S SCREW 4X6				
⊙	8	303JY31051	3JY31051	MOUNT EJECT	1	1	1	1	108	D1A00400	D1A00400	STOP RING E-4(TRIVALENT CHROMATING)				
⊙	9	28107310	49028101	BUSH 8	2	2	2	2								
⊙	10	74808080	74808080	BEARING,686ZZNR	1	1	1	1								
⊙	11	2BC06910	2BC06910	STOPPER 6	5	5	5	5								
⊙	12	3CG22060	3CG22060	PULLEY 34,CONVEYING	1	1	1	1								
⊙	13	2FB17260	2FB17260	BELT FEED HANDLE	1	1	1	1								
⊙	14	34922440	34922440	COLLAR,DRIVE	1	1	1	1								
⊙	15	3AK20080	3AK20080	GEAR 18/50	1	1	1	1								
⊙	16	M2104260	M2104260	EDGING,EDS-0607U(KITAGAWA)	1	1	1	1								
⊙	17	M2104250	M2104250	EDGING,EDS-17L(KITAGAWA)	1	1	1	1								
⊙	18	303JY44020	3JY44020	MOTOR CONVEYING	1	1	1	1								
⊙	19	3AK07080	3AK07080	GEAR,CURSOR MOTOR	1	1	1	1								
⊙	20	303JY31032	3JY31032	MOUNT DRIVE	1	1	1	1								
⊙	21	303JY31290	3JY31290	GEAR 22/41	1	1	1	1								
⊙	22	66022190	66022190	GEAR,21 DEVELOPING	1	1	1	1								
⊙	23	7YZM610001++H01	YZ010230	ACCESS SADDLE	2	2	2	2								
⊙	24	303H322131	3H322131	GEAR 19 CONVEYING	1	1	1	1								
⊙	25	303JY31010	3JY31010	MOUNT MOTOR FEED IN	1	1	1	1								
⊙	26	303JY31300	3JY31300	GEAR 20/40 SUB	1	1	1	1								
⊙	27	7YZM610002++H01	YZ010240	ACCESS SADDLE	3	3	3	3								
⊙	28	303H302160	3H302160	GROUND PLATE MIDDLE TRAY	1	1	1	1								
⊙	29	28801190	48928800	PULLEY,TIMING BELT	1	1	1	1								
⊙	30	303JY31250	3JY31250	MOUNT SADDLE DRIVE	1	1	1	1								
⊙	31	2C906080	2C906080	GEAR 18 BYPASS	1	1	1	1								
⊙	32	2AL06110	2AL06110	GEAR 25	1	1	1	1								
⊙	33	303JY31240	3JY31240	GEAR SADDLE A	1	1	1	1								
⊙	34	303JY31260	3JY31260	GEAR SADDLE	1	1	1	1								
⊙	35	303JY36560	3JY36560	BELT MIDDLE TRAY MOTOR	1	1	1	1								
⊙	36	2BL22580	2BL22580	COLLAR BELT	1	1	1	1								
⊙	37	5MVX111DN007	2BT11070	STOPPER 3 /2BT1107 A4	1	1	1	1								
⊙	38	75714210	75714210	COLLAR DEVELOPING UNIT	2	2	2	2								
⊙	39	303JY31070	3JY31070	TENSION PLATE	1	1	1	1								
⊙	40	302GR25161	2GR25161	PIN LOWER FRAME	1	1	1	1								
⊙	41	303JY31310	3JY31310	SPRING TENSION	1	1	1	1								
⊙	42	303JY31160	3JY31160	BELT 416	1	1	1	1								
⊙	43	M21AH010	M21AH010	BAND,RSG-130-V0(KITAGAWA)	1	1	1	1								
⊙	44	303JY31270	3JY31270	BELT 300	1	1	1	1								
⊙	45	3H327400	3H327400	MOTOR,CONVEYING	1	1	1	1								
⊙	46	7YZM610007++H01	YZ023340	ACCESS.SADDLE	1	1	1	1								

- Parts with "*" are component parts or sub-assemblies of the assembly appearing immediately above them.
- Parts with "⊙" indicate regular maintenance parts.

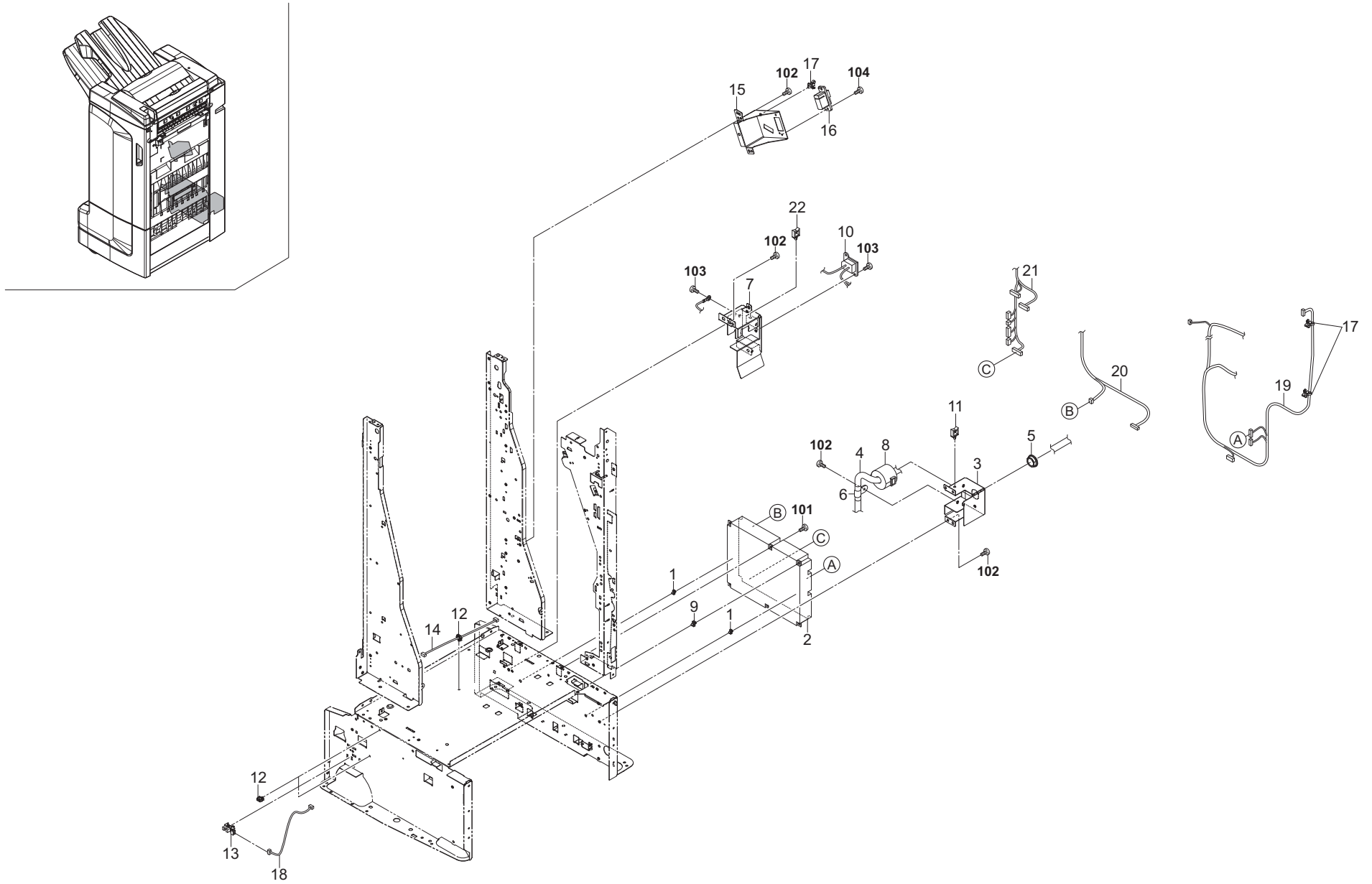


FIG. 14 Electrical Components

3LT-3

Ref. No.	Part.No.	Alternative.	Description	Quantity				Ref. No.	Part.No.	Alternative.	Description	Quantity				
				110	120	230	240					110	120	230	240	
⊙	1	M2108870	M2108870	SPACER.KGPS-10RF(KITAGAWA)	2	2	2	2	101	7BB700308H	BB105600	+BIND T.T S SCREW 3X8 SR				
	2	303LT94010	3LT94010	PARTS MAIN PWB ASSY SP	1	1	1	1	102	7BB700408H	BB105640	+BIND T.T S SCREW 4X8 SR				
	3	303JY04120	3JY04120	MOUNT INTERFACE WIRE	1	1	1	1	103	7BB100308H1	BB112120	+BIND T.T S SCREW 3X8				
	4	303LT46210	3LT46210	WIRE INTERFACE	1	1	1	1	104	7BB700410H	BB107090	+BIND T.T S SCREW 4X10 SR				
	5	M1203550	M1203550	STRAIN RELEAF BUSHING,SR-7W-2	1	1	1	1								
	6	M70A5010	M70A5010	CLAMP,EMT-4N(TAKEUCHI)	1	1	1	1								
	7	303JY04130	3JY04130	MOUNT IF MB	1	1	1	1								
	8	2A627930	2A627930	CORE 11-25X14	1	1	1	1								
	9	M2108370	M2108370	SPACER.WLS-04-0	1	1	1	1								
	10	303LT46180	3LT46180	WIRE MAIL TRAY	1	1	1	1								
⊙	11	7YZM610001++H01	YZ010230	ACCESS SADDLE	1	1	1	1								
	12	7YZM610007++H01	YZ023340	ACCESS SADDLE	3	3	3	3								
	13	2C927210	2C927210	SENSOR 248NL1	1	1	1	1								
	14	303JY46280	3JY46280	JUNCTION WIRING BOOKLET DETECTION	1	1	1	1								
	15	303JY02191	3JY02191	PLATE DRAWER	1	1	1	1								
	16	303LT46040	3LT46040	WIRE MIDDLE TRAY UNIT	1	1	1	1								
	17	M21AH010	M21AH010	BAND,RSG-130-V0(KITAGAWA)	3	3	3	3								
	18	303LT46190	3LT46190	WIRE BOOKLET DETECTION	1	1	1	1								
	19	303LT46060	3LT46060	WIRE LEFT SIGNAL	1	1	1	1								
	20	303LT46080	3LT46080	WIRE PUNCH UNIT	1	1	1	1								
	21	303LT46050	3LT46050	WIRE LEFT POWER	1	1	1	1								
	22	7YZM610004++H01	YZ012210	ACCESS SADDLE	1	1	1	1								

- Parts with "*" are component parts or sub-assemblies of the assembly appearing immediately above them.
- Parts with "⊙" indicate regular maintenance parts.

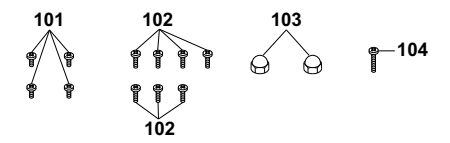
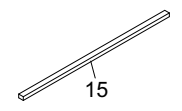
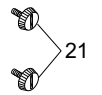
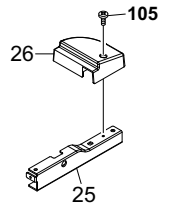
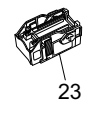
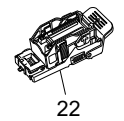
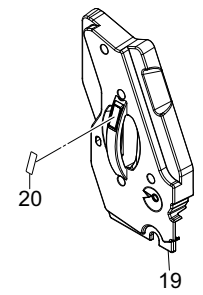
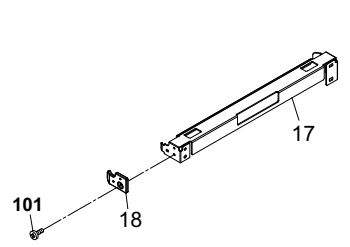
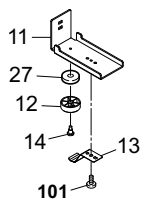
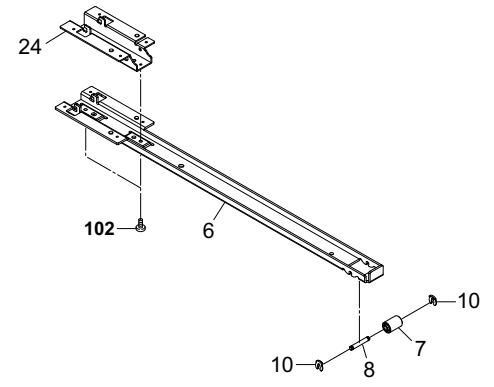
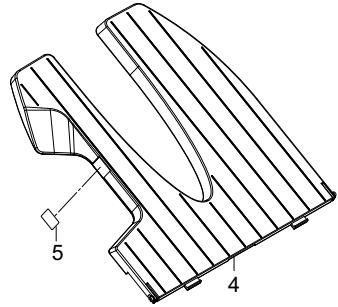
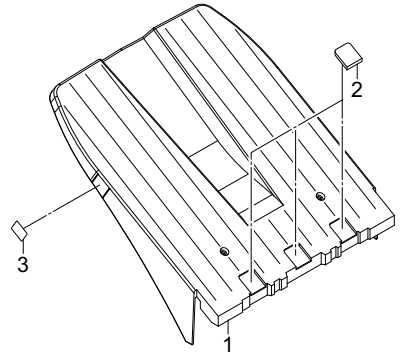


FIG. 15 Accessories & Options 1

3LT-3

Ref. No.	Part.No.	Alternative.	Description	Quantity				Ref. No.	Part.No.	Alternative.	Description	Quantity				
				110	120	230	240					110	120	230	240	
⊙	1	303C104072	3C104072	TRAY,MAIN	1	1	1	1	101	7BB700408H	BB105640	+BIND T.T S SCREW 4X8 SR				
⊙	2	3AK20240	3AK20240	VIBRATION INSULATOR,MAIN TRAY	3	3	3	3	102	7BB700410H	BB107090	+BIND T.T S SCREW 4X10 SR				
⊙	3	303JY34130	3JY34130	LABEL A	1	1	1	1	103	C1B54070	C1B54070	DOMEO CAP NUT M4(CL2)(TRIV CHROMAT				
⊙	4	303JY04050	3JY04050	TRAY SUB	1	1	1	1	104	7BB607414H	BB107160	+TP-CUP M SCREW 4X14 R				
⊙	5	303JY34140	3JY34140	LABEL B	1	1	1	1	105	7BB180408H	BB111210	+BIND T.T S SCREW 4X8(BLACK)				
	6	303LT03080	3LT03080	BASE SLIDER S	1	1	1	1								
	7	303LT03090	3LT03090	PULLEY SLIDER S	1	1	1	1								
	8	303JY02270	3JY02270	SHAFT SLIDER	1	1	1	1								
	9	303LT03150	3LT03150	PLATE PF	1	1	1	1								
	10	5MVX111DN003	2A806250	RING STOPPER /A-49 FEED A4	2	2	2	2								
	11	303JY02221	3JY02221	BASE SLIDER B	1	1	1	1								
	12	303JY02390	3JY02390	PULLEY SLIDER B	1	1	1	1								
	13	303JY02400	3JY02400	PLATE EARTH RAIL	1	1	1	1								
	14	3CG02041	3CG02041	PIN,RELEASE LEVER	1	1	1	1								
	15	303JY02410	3JY02410	SPONGE JOINT	1	1	1	1								
	16	33902130	33902130	SPRING,CASSETTE HOOK	1	1	1	1								
	17	303JY02291	3JY02291	RETAINER FINISHER	1	1	1	1								
	18	303JY02420	3JY02420	GUIDE RETAINER FINISHER	1	1	1	1								
	19	303JY04160	3JY04160	COVER MT	1	1	1	1								
	20	303JY34080	3JY34080	LABEL D5	1	1	1	1								
	21	303H321080	3H321080	RETAINING PIN TRAY	2	2	2	2								
⊙	22	303JY38750	3JY38750	CARTRIDGE EH590	1	1	1	1								
	23	1903JY0000	093JY000	SH-10/STAPLE HOLDER (DF-760(B)) (OPTION)	1	1	1	1								
	24	303LT02090	3LT02090	STAY RAIL (DF-760(B))	1	1	1	1								
	25	303LT02100	3LT02100	PLATE FOOT R (DF-760(B))	1	1	1	1								
	26	303LT02110	3LT02110	COVER FOOT R (DF-760(B))	1	1	1	1								
	27	3H416070	3H416070	COLLAR PRESSURE	1	1	1	1								

- Parts with "*" are component parts or sub-assemblies of the assembly appearing immediately above them.
- Parts with "⊙" indicate regular maintenance parts.

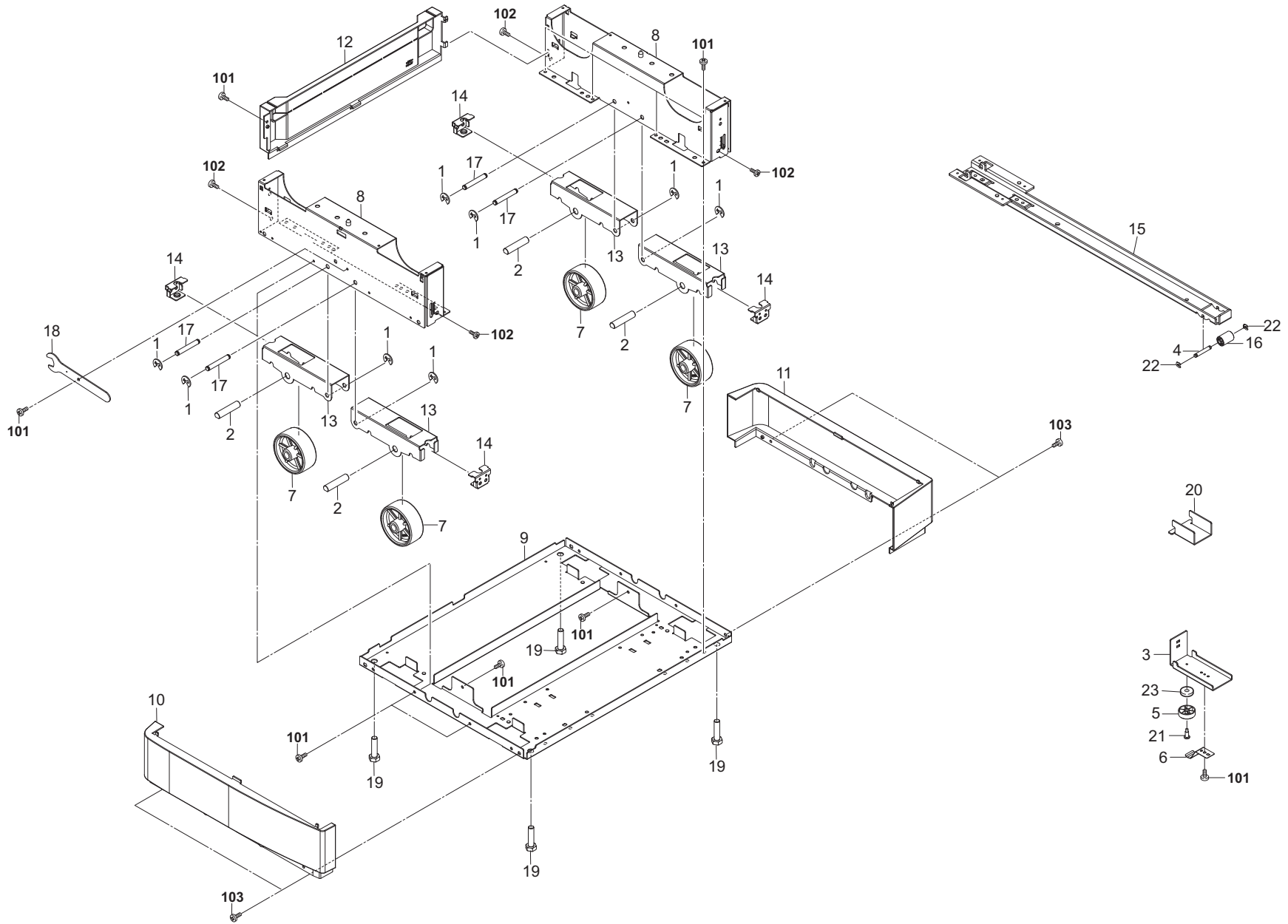


FIG. 16 Option 2 (AK-720)

3LT-3

Ref. No.	Part.No.	Alternative.	Description	Quantity				
				110	120	230	240	
1	2BC06910	2BC06910	STOPPER 6	8	8	8	8	
2	303B802091	3B802091	SHAFT,PULLEY FINISHER	4	4	4	4	
3	303JY02221	3JY02221	BASE SLIDER B	1	1	1	1	
4	303JY02270	3JY02270	SHAFT SLIDER	1	1	1	1	
5	303JY02390	3JY02390	PULLEY SLIDER B	1	1	1	1	
6	303JY02400	3JY02400	PLATE EARTH RAIL	1	1	1	1	
⊙	7	303JY03011	3JY03011	PULLEY FINISHER	4	4	4	4
8	303LT03010	3LT03010	FRAME BASE S	2	2	2	2	
9	303LT03020	3LT03020	STAY BASE S	1	1	1	1	
⊙	10	303LT03030	3LT03030	COVER FRONT S	1	1	1	1
⊙	11	303LT03040	3LT03040	COVER REAR S	1	1	1	1
⊙	12	303LT03050	3LT03050	COVER LEFT S	1	1	1	1
13	303LT03060	3LT03060	HOLDER PULLEY	4	4	4	4	
14	303LT03070	3LT03070	PLATE ADJUST	4	4	4	4	
15	303LT03080	3LT03080	BASE SLIDER S	1	1	1	1	
16	303LT03090	3LT03090	PULLEY SLIDER S	1	1	1	1	
17	303LT03120	3LT03120	SHAFT PULLEY	4	4	4	4	
18	303LT03130	3LT03130	SPANNER	1	1	1	1	
19	303LT03140	3LT03140	BOLT M10L40	4	4	4	4	
20	303LT03150	3LT03150	PLATE PF	1	1	1	1	
21	303J902280	3J902280	PIN PAPER FEED	1	1	1	1	
22	5MVX111DN003	2A806250	RING STOPPER /A-49 FEED A4	2	2	2	2	
23	3H416070	3H416070	COLLAR PRESSURE	1	1	1	1	

Ref. No.	Part.No.	Alternative.	Description	Quantity			
				110	120	230	240
101	7BB700408H	BB105640	+BIND T.T S SCREW 4X8 SR				
102	7BB702408H	BB107110	+TP-FLAT T.T S SCREW 4X8 SR				
103	7BB780410H	BB111220	+BIND T.T S SCREW 4X10 SR(BLACK)				

- Parts with "*" are component parts or sub-assemblies of the assembly appearing immediately above them.
- Parts with "⊙" indicate regular maintenance parts.

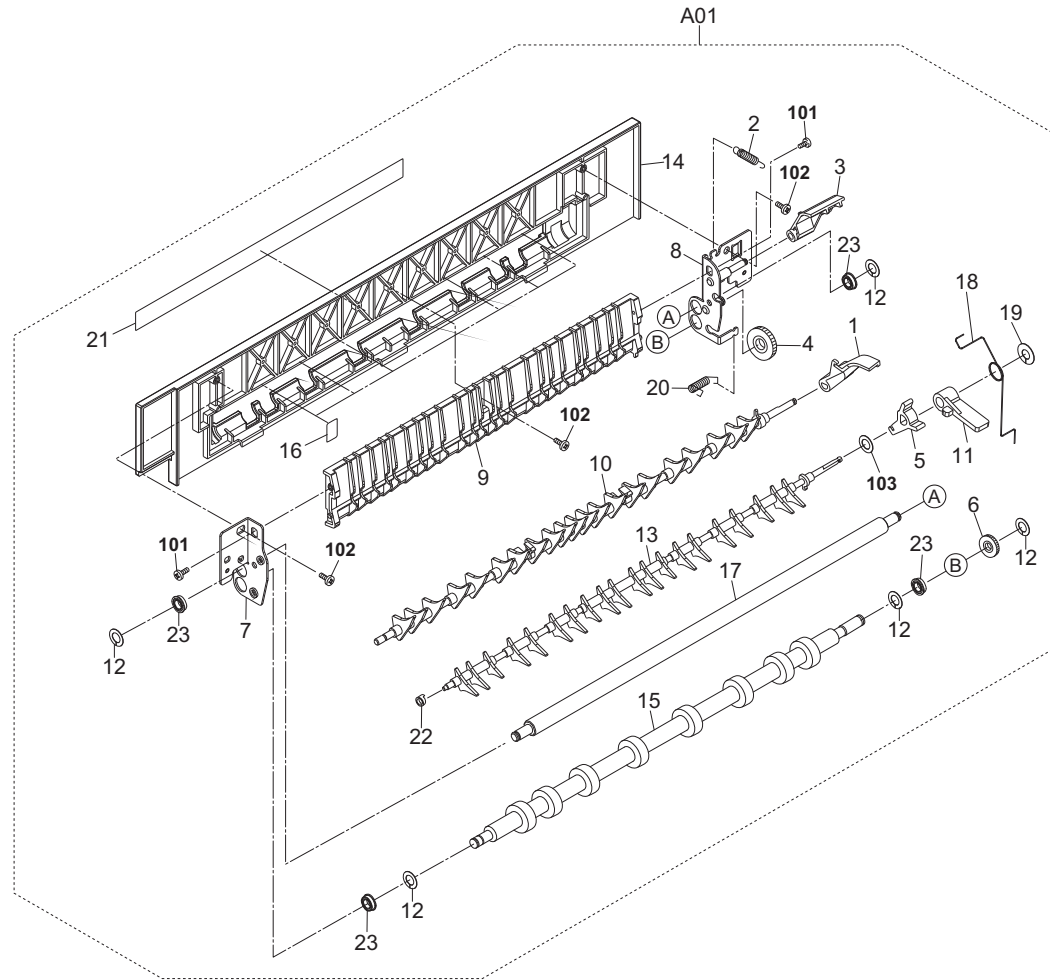


FIG. 17 Option 3 (AK-700) (DF-760(B))

3LT-3

Ref. No.	Part.No.	Alternative.	Description	Quantity				Ref. No.	Part.No.	Alternative.	Description	Quantity			
				110	120	230	240					110	120	230	240
A01	1703JY0U10	073JY0U1	AK-700/ATTACHMENT KIT (OPTION)	1	1	1	1	101	7BB200306H	BB105650	+BIND T.T P SCREW 3X6				
1	*2BJ21021	2BJ21021	LEVER GUIDE CHANGE U	1	1	1	1	102	7BB202308H	BB105690	+TP-FLAT T.T P SCREW 3X8				
2	*2BJ21030	2BJ21030	SPRING CHANGE UP	1	1	1	1	103	C28939500	48327600	SHIM 6.2-0.25T				
3	*2BJ21040	2BJ21040	LEVER CHANGE UP B	1	1	1	1								
4	*2BL60040	2BL60040	GEAR 20 FEED SHIFT	1	1	1	1								
5	*2BL60081	2BL60081	LEVER CHANGE DU B	1	1	1	1								
6	*2BL60130	2BL60130	GEAR 13	1	1	1	1								
7	*302BJ60022	2BJ60022	FRONT FRAME DECURL C	1	1	1	1								
8	*302BJ60033	2BJ60033	REAR FRAME DECURL C	1	1	1	1								
9	*302BJ60041	2BJ60041	GUIDE FINISHER EJECT	1	1	1	1								
10	*302BL60062	2BL60062	GUIDE DU FEED SHIFT	1	1	1	1								
11	*302BL60071	2BL60071	LEVER CHANGE DU	1	1	1	1								
12	*302FB09830	2FB09830	CUT WASHER 4	5	5	5	5								
13	*302FG21011	2FG21011	GUIDE CHANGE UP	1	1	1	1								
14	*302GR27510	2GR27510	COVER FINISHER EJECT	1	1	1	1								
15	*302GR27521	2GR27521	LOW ROLLER EXIT	1	1	1	1								
16	*302GR27530	2GR27530	FILM EXIT	6	6	6	6								
17	*302GR27550	2GR27550	ROLLER FINISHER UP	1	1	1	1								
18	*302GR27560	2GR27560	SPRING LEVER CHANGE	1	1	1	1								
19	*302GR27570	2GR27570	CUT-WASHER 3	1	1	1	1								
20	*302GR27580	2GR27580	SPRING DU CHANGE B	1	1	1	1								
21	*302GR34400	2GR34400	LABEL CAUTION EXIT	1	1	1	1								
22	*65016080	65016080	STOP RING E3	1	1	1	1								
23	*68822330	68822330	BEARING,DRIVE	4	4	4	4								

- Parts with "*" are component parts or sub-assemblies of the assembly appearing immediately above them.
- Parts with "⊙" indicate regular maintenance parts.

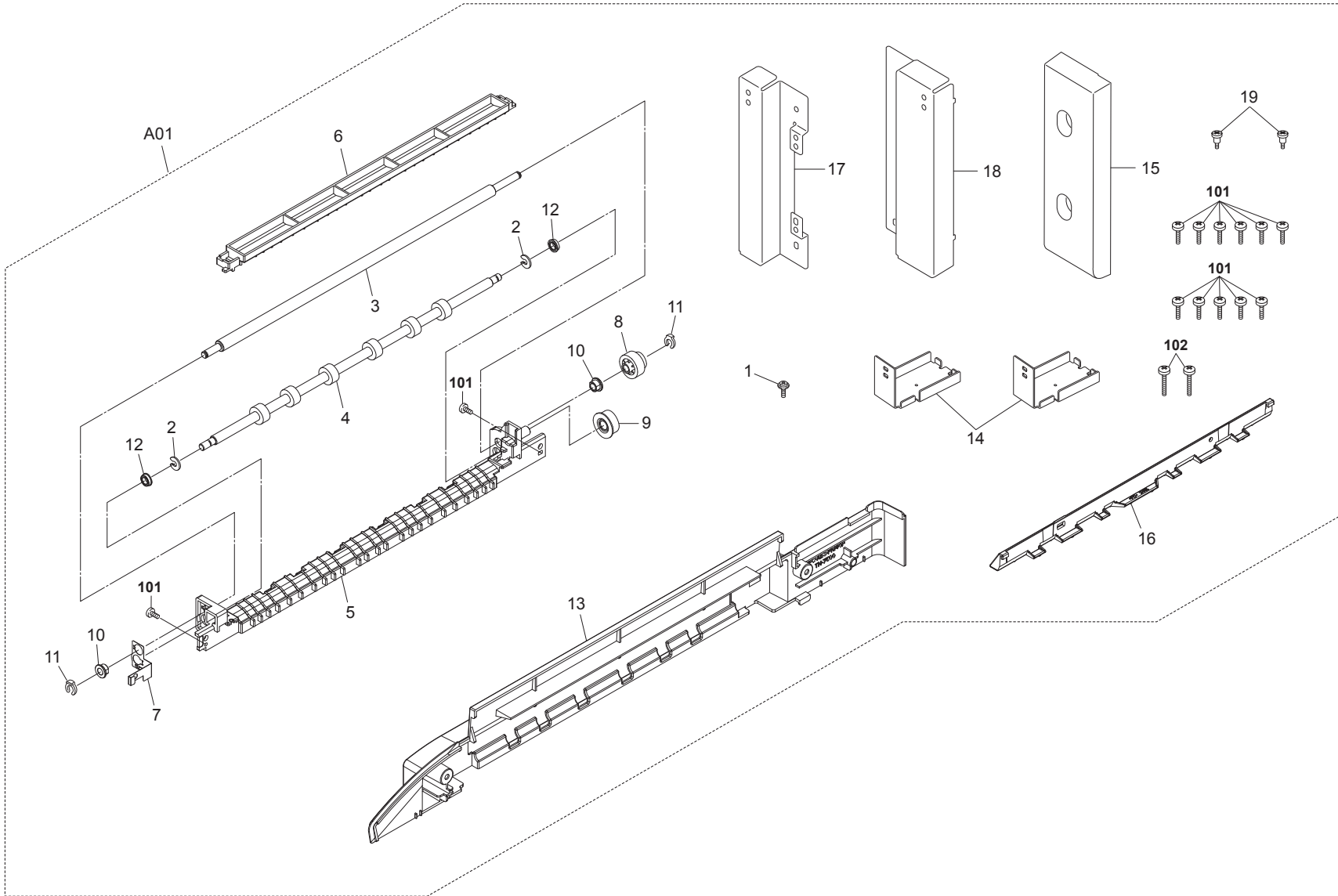


FIG. 18 Option 4 (AK-725) (DF-760(B))

3LT-3

Ref. No.	Part.No.	Alternative.	Description	Quantity				Ref. No.	Part.No.	Alternative.	Description	Quantity			
				110	120	230	240					110	120	230	240
A01	1703LT0UN1	073LT0U1	AK-725/ATTACHMENT KIT (OPTION)	1	1	1	1	101	7BB780410H	BB111220	+BIND T.T S SCREW 4X10 SR(BLACK)				
1	*2BG12430	2BG12430	STUD SCREW SC	1	1	1	1	102	7BB600420H	BB112600	+BIND M SCREW 4X20 R				
2	*302FB09830	2FB09830	CUT WASHER 4	2	2	2	2								
⊙ 3	*302HP28010	2HP28010	ROLLER OP UPPER	1	1	1	1								
⊙ 4	*302HP28020	2HP28020	ROLLER OP LOW	1	1	1	1								
5	*302HP28090	2HP28090	FRAME EXIT OP	1	1	1	1								
6	*302HP28160	2HP28160	GUIDE EXIT OP	1	1	1	1								
7	*302HP28210	2HP28210	PLATE EARTH OP ROLL	1	1	1	1								
⊙ 8	*302HP31010	2HP31010	GEAR Z25 EXIT	1	1	1	1								
⊙ 9	*302HP31020	2HP31020	GEAR Z23 EXIT	1	1	1	1								
10	*3CY07080	3CY07080	BUSHING 6	2	2	2	2								
11	*5MVX111DN003	2A806250	RING STOPPER /A-49 FEED A4	2	2	2	2								
12	*68822330	68822330	BEARING,DRIVE	2	2	2	2								
⊙ 13	*302HP04150	2HP04150	COVER LEFT MID B	1	1	1	1								
14	*302KA02100	2KA02100	PLATE PF B	2	2	2	2								
⊙ 15	*303KN02030	3KN02030	COVER AT	1	1	1	1								
16	*303KN04040	3KN04040	GUIDE INSERT	1	1	1	1								
17	*303MA02041	3MA02041	RETAINER FINISHER FL	1	1	1	1								
18	*303MA02051	3MA02051	RETAINER FINISHER RL	1	1	1	1								
⊙ 19	*3CG02041	3CG02041	PIN,RELEASE LEVER	2	2	2	2								

- Parts with "*" are component parts or sub-assemblies of the assembly appearing immediately above them.
- Parts with "⊙" indicate regular maintenance parts.

	Part.No.	Alternative.	Description	Fig.No.
	1703JY0U10	073JY0U1	AK-700/ATTACHMENT KIT	17
	1703LT0UN1	073LT0U1	AK-725/ATTACHMENT KIT	18
⊙	18312270	18312270	GEAR 39,EJECT DRIVE	11
	1903JY0000	093JY000	SH-10/STAPLE HOLDER	15
	28107310	49028101	BUSH 8	4,5,7,10,11,12,13
	28107390	49028112	BUSH 8,LOWER REG.ROLLER	12
	28220440	48528216	SPRING,PAPER GUIDE	7
⊙	28801190	48928800	PULLEY,TIMING BELT	3,13
	29407191	29407191	TENSION SPRING,PF	3
	2A116180	2A116180	BUSHING,TRANSFER	3
	2A627930	2A627930	CORE 11-25X14	14
⊙	2AL06110	2AL06110	GEAR 25	13
	2BC06910	2BC06910	STOPPER 6	4,5,7,9,10,11,12,13,16
⊙	2BC22150	2BC22150	GEAR 24,REGISTRATION	12
	2BG12430	2BG12430	STUD SCREW SC	18
	2BJ21021	2BJ21021	LEVER GUIDE CHANGE U	17
⊙	2BJ21030	2BJ21030	SPRING CHANGE UP	17
	2BJ21040	2BJ21040	LEVER CHANGE UP B	17
⊙	2BL21330	2BL21330	PULLEY FEED SHIFT	8
	2BL21440	2BL21440	SPRING EXIT CHANGE	6
	2BL22580	2BL22580	COLLAR BELT	13
	2BL22820	2BL22820	SPRING PULLEY	6
⊙	2BL60040	2BL60040	GEAR 20 FEED SHIFT	17
	2BL60081	2BL60081	LEVER CHANGE DU B	17
⊙	2BL60130	2BL60130	GEAR 13	17
⊙	2C906080	2C906080	GEAR 18 BYPASS	13
	2C921350	2C921350	PULLEY EXIT	2
⊙	2C927210	2C927210	SENSOR 248NL1	2,4,5,6,7,14
	2DC12280	2DC12280	STOPPER 8	5
	2FB04220	2FB04220	MAGNET CATCH	1,2
	2FB07330	2FB07330	STOPPER BYPASS TABLE	1
	2FB16270	2FB16270	PIN DRAWER A	9
	2FB17200	2FB17200	MAGNET UPPER REG GUIDE	10
⊙	2FB17260	2FB17260	BELT FEED HANDLE	13
	2FB20860	2FB20860	PIN FUSER COVER	5,12
	2FB21620	2FB21620	PIN EJECT	4
⊙	2FB27160	2FB27160	INTER LOCK SWITCH	2,3
	2FG06120	2FG06120	COLLAR FEED JOINT	6
⊙	2FG27110	2FG27110	SWITCH REGISTRATION	2
	302BJ60022	2BJ60022	FRONT FRAME DECURL C	17
	302BJ60033	2BJ60033	REAR FRAME DECURL C	17
	302BJ60041	2BJ60041	GUIDE FINISHER EJECT	17
	302BL60062	2BL60062	GUIDE DU FEED SHIFT	17
	302BL60071	2BL60071	LEVER CHANGE DU	17
	302FB05531	2FB05531	LABEL CAUTION FUSER UNIT	12
	302FB08462	2FB08462	PIN CONNECTOR	3
	302FB09830	2FB09830	CUT WASHER 4	2,17,18
	302FB12970	2FB12970	PIN SCANNER RETAIN B	6

	Part.No.	Alternative.	Description	Fig.No.
	302FB19750	2FB19750	GROUND PLATE SIDE REG	11
⊙	302FB27241	2FB27241	SWITCH FEED A	11,12
	302FG21011	2FG21011	GUIDE CHANGE UP	17
	302GR25161	2GR25161	PIN LOWER FRAME	13
⊙	302GR27510	2GR27510	COVER FINISHER EJECT	17
⊙	302GR27521	2GR27521	LOW ROLLER EXIT	17
⊙	302GR27530	2GR27530	FILM EXIT	17
	302GR27550	2GR27550	ROLLER FINISHER UP	17
	302GR27560	2GR27560	SPRING LEVER CHANGE	17
	302GR27570	2GR27570	CUT-WASHER 3	17
⊙	302GR27580	2GR27580	SPRING DU CHANGE B	17
⊙	302GR34400	2GR34400	LABEL CAUTION EXIT	17
⊙	302GR44160	2GR44160	SOLENOID FEED SHIFT	6
⊙	302HP04150	2HP04150	COVER LEFT MID B	18
⊙	302HP28010	2HP28010	ROLLER OP UPPER	18
⊙	302HP28020	2HP28020	ROLLER OP LOW	18
	302HP28090	2HP28090	FRAME EXIT OP	18
	302HP28160	2HP28160	GUIDE EXIT OP	18
	302HP28210	2HP28210	PLATE EARTH OP ROLL	18
⊙	302HP31010	2HP31010	GEAR Z25 EXIT	18
⊙	302HP31020	2HP31020	GEAR Z23 EXIT	18
	302KA02100	2KA02100	PLATE PF B	18
⊙	3036802111	36802111	CASTER	2
	303AK20041	3AK20041	SUPPORT PLATE,MAIN TRAY	4
	303AK20162	3AK20162	MOUNT,MAIN TRAY SENSOR MIDDLE	2
	303B802081	3B802081	SUPPORT PLATE PULLEY FINISHER	2
	303B802091	3B802091	SHAFT,PULLEY FINISHER	2,16
	303B816191	3B816191	CAM DECURLER	12
	303B821081	3B821081	SHAFT,EJECT PULLEY	3
	303C102031	3C102031	PARTITION,FINISHER	2
⊙	303C104072	3C104072	TRAY,MAIN	15
	303C106062	3C106062	SPRING,HOLDER MAIN EJECT PULL	4
	303CG02021	3CG02021	SUPPORT PLATE,COVER	12
	303H302160	3H302160	GROUND PLATE MIDDLE TRAY	13
⊙	303H307180	3H307180	BELT FEED PULLEY	8
	303H316231	3H316231	UPPER ROLLER FEED IN	11
	303H316261	3H316261	LEVER REGIST PRESSURE	11
⊙	303H316330	3H316330	GEAR25 FEED IN	11
	303H316360	3H316360	SPRING CONVEYING	12
	303H321070	3H321070	CUSHION FEED SHIFT GUIDE	4
	303H321080	3H321080	RETAINING PIN TRAY	15
	303H321110	3H321110	CUSHION EJECT GUIDE B	3,4
	303H321131	3H321131	SPRING EJECT	3
⊙	303H322131	3H322131	GEAR 19 CONVEYING	13
⊙	303H327460	3H327460	SENSOR A,SEPARATION	2
⊙	303H327470	3H327470	SENSOR B SEPARATION	2
⊙	303H327500	3H327500	SENSOR FEED B	11
⊙	303H327510	3H327510	MOTOR,MAIN TRAY	13
	303H608091	3H608091	HOLDER C PULLEY	1,11,12
	303J124650	3J124650	MOUNT PAPER SENSOR	2

• Parts with "⊙" indicate regular maintenance parts.

	Part.No.	Alternative.	Description	Fig.No.		Part.No.	Alternative.	Description	Fig.No.
⊙	303J902280	3J902280	PIN PAPER FEED	16	⊙	303JY04250	3JY04250	SHEET TRAY B	1
	303JY01030	3JY01030	STAPLER PWB ASS'Y	5	⊙	303JY04260	3JY04260	SHEET TRAY C	1
	303JY02072	3JY02072	PLATE RIGHT	2	⊙	303JY24020	3JY24020	ROLLER CONVEYING A	11
	303JY02140	3JY02140	PLATE LEVER RELEASE	3	⊙	303JY24030	3JY24030	ROLLER CONVEYING B	11
	303JY02150	3JY02150	SHAFT RELEASE	3	⊙	303JY24040	3JY24040	ROLLER CONVEYING C	12
	303JY02160	3JY02160	STAY SLIDER LEFT	2	⊙	303JY24050	3JY24050	ROLLER CONVEYING D	12
	303JY02170	3JY02170	GUIDE RELEASE R	2	⊙	303JY24060	3JY24060	GUIDE UNIT PUNCH PC	11
	303JY02191	3JY02191	PLATE DRAWER	14	⊙	303JY24070	3JY24070	GUIDE MT SST PC	11
	303JY02201	3JY02201	PLATE RIGHT LOW	2		303JY24091	3JY24091	GUIDE RIGHT CONVEYING	11
	303JY02221	3JY02221	BASE SLIDER B	15,16	⊙	303JY24160	3JY24160	GUIDE MT ST PC	12
	303JY02270	3JY02270	SHAFT SLIDER	15,16		303JY24190	3JY24190	SHAFT RIGHT PULLEY	11
	303JY02291	3JY02291	RETAINER FINISHER	15		303JY24200	3JY24200	MOUNT C PULLEY	11
	303JY02300	3JY02300	RETAINER LEVER	3		303JY24231	3JY24231	FRAME REAR SU	11
	303JY02310	3JY02310	MOUNT SWITCH	3		303JY24240	3JY24240	HOOK FRONT RIGHT COVER	11
	303JY02320	3JY02320	MOUNT DRAWER	2	⊙	303JY24250	3JY24250	ROLLER CONVEYING E	12
	303JY02360	3JY02360	COVER BASE	2		303JY24260	3JY24260	ELEC PLATE LEFT EXIT	1
	303JY02370	3JY02370	MOUNT SET SW	2		303JY24270	3JY24270	PLATE ELEC RIGHT EXIT	11
	303JY02380	3JY02380	PLATE WORK RELEASE	3	⊙	303JY24310	3JY24310	ROLLER FEED LOW	11
	303JY02390	3JY02390	PULLEY SLIDER B	15,16	⊙	303JY24330	3JY24330	ROLLER PRESSURE DRIVE	12
	303JY02400	3JY02400	PLATE EARTH RAIL	15,16	⊙	303JY24340	3JY24340	ROLLER UPPER PRESSURE	12
	303JY02410	3JY02410	SPONGE JOINT	15		303JY24350	3JY24350	PLATE JUNCTION SUB	11
	303JY02420	3JY02420	GUIDE RETAINER FINISHER	15		303JY24360	3JY24360	PIN FULCRUM SUB	11
	303JY02430	3JY02430	COVER DRAWER	2		303JY24370	3JY24370	STAY RIGHT COVER SUB	11
	303JY02440	3JY02440	PLATE SLIDER RIGHT	2		303JY24380	3JY24380	HOOK REAR RIGHT COVER	11
	303JY02450	3JY02450	PLATE RIGHT UP	2		303JY24390	3JY24390	LOWER GUIDE FEED SHIFT	12
	303JY02461	3JY02461	PLATE RIGHT LOW	3		303JY24400	3JY24400	FILM FEED SHIFT GUIDE	12
	303JY02471	3JY02471	SPACER FINISHER	3	⊙	303JY24410	3JY24410	GEAR 25 SUB	11
	303JY02520	3JY02520	PLATE MT R	3		303JY24421	3JY24421	MOUNT SOLENOID UP SUB	11
	303JY02530	3JY02530	PLATE FL	3		303JY24430	3JY24430	LEVER SOLENOID A	11
	303JY02540	3JY02540	PLATE RL	3		303JY24440	3JY24440	LEVER SOLENOID B	11
	303JY02551	3JY02551	PLATE LF	3		303JY24450	3JY24450	MOUNT D PULLEY	1
	303JY02561	3JY02561	PLATE LR	3		303JY24460	3JY24460	UPPER GUIDE FEED SU	11
	303JY02570	3JY02570	GROUND PLATE A	2		303JY24470	3JY24470	LOWER GUIDE FEED SU	11
	303JY02581	3JY02581	GROUND PLATE MT R	2		303JY24480	3JY24480	LOWER STAY SU	11
	303JY02600	3JY02600	PLATE INNER COVER	3		303JY24490	3JY24490	RIGHT GUIDE FEED SU	11
	303JY02611	3JY02611	FRAME REINFORCEMENT	3		303JY24500	3JY24500	GUIDE MT FEED IN	12
	303JY02620	3JY02620	PLATE REINFORCE LEFT	3		303JY24570	3JY24570	FRONT MOUNT CONVEYING	12
	303JY02650	3JY02650	PLATE REINFORCE BF FOOK	3		303JY24580	3JY24580	REAR MOUNT CONVEYING	12
⊙	303JY03011	3JY03011	PULLEY FINISHER	16		303JY24591	3JY24591	STAY CONVEYING	12
⊙	303JY04050	3JY04050	TRAY SUB	15		303JY24600	3JY24600	MOUNT FEED IN SWITCH	11
	303JY04080	3JY04080	FULCRUM PLATE UP	2		303JY24611	3JY24611	GUIDE WIRE SU	11
	303JY04090	3JY04090	FULCRUM PLATE LOW	2		303JY24620	3JY24620	GUIDE DECURLER	12
⊙	303JY04100	3JY04100	COVER INNER	1	⊙	303JY24630	3JY24630	GEAR 24	12
	303JY04120	3JY04120	MOUNT INTERFACE WIRE	14		303JY24640	3JY24640	SPRING RELEASE COVER	1
	303JY04130	3JY04130	MOUNT IF MB	14		303JY24650	3JY24650	MOUNT FRONT LEVER	12
	303JY04140	3JY04140	COVER INNER B	1		303JY24660	3JY24660	MOUNT REAR LEVER	12
	303JY04160	3JY04160	COVER MT	15		303JY24670	3JY24670	FILM RIGHT SUB EXIT2	1
	303JY04190	3JY04190	PLATE STOPPER	1		303JY24680	3JY24680	SPRING EXIT HOOK	11
	303JY04200	3JY04200	HINGE FRONT COVER	1		303JY24690	3JY24690	SHIELD PLATE SW	12
⊙	303JY04240	3JY04240	SHEET TRAY A	2		303JY24700	3JY24700	GUIDE RIGHT EXIT B	12

• Parts with "⊙" indicate regular maintenance parts.

	Part.No.	Alternative.	Description	Fig.No.		Part.No.	Alternative.	Description	Fig.No.
	303JY24710	3JY24710	FILM FEED IN SU	11		303JY28400	3JY28400	FILM STAY EJECT	3
	303JY24800	3JY24800	REINFORCEMENT CLAW FI	11		303JY31010	3JY31010	MOUNT MOTOR FEED IN	13
	303JY24811	3JY24811	GUIDE WIRE FI SOL	11		303JY31032	3JY31032	MOUNT DRIVE	13
⊙	303JY24820	3JY24820	STATIC ELIMINATOR SUB C	11		303JY31051	3JY31051	MOUNT EJECT	13
⊙	303JY24930	3JY24930	ROLLER PRESS LOW	12		303JY31060	3JY31060	MOUNT MOTOR EJECT	13
	303JY24940	3JY24940	SHAFT DEC PRE	12		303JY31070	3JY31070	TENSION PLATE	13
	303JY24950	3JY24950	MOUNT LEVER DECURLER	12	⊙	303JY31140	3JY31140	GEAR 41	11
	303JY24A00	3JY24A00	HOLDER GUIDE SW B	12	⊙	303JY31150	3JY31150	PULLEY 42	4,12
	303JY24A10	3JY24A10	GUIDE LEFT CONVEYING B	12	⊙	303JY31160	3JY31160	BELT 416	13
	303JY24A20	3JY24A20	LEVER SOLENOID MDL	12		303JY31200	3JY31200	SHAFT MAIN TRAY	4
	303JY24A30	3JY24A30	FRONT BRACKET FEED	11	⊙	303JY31240	3JY31240	GEAR SADDLE A	13
	303JY24A40	3JY24A40	REAR BRACKET FEED	11		303JY31250	3JY31250	MOUNT SADDLE DRIVE	13
	303JY24A51	3JY24A51	LEVER SOLENOID FEED	11	⊙	303JY31260	3JY31260	GEAR SADDLE	13
	303JY24A60	3JY24A60	MOUNT SOLENOID FEED	11	⊙	303JY31270	3JY31270	BELT 300	13
	303JY24A70	3JY24A70	PLATE CONVEYING	12	⊙	303JY31290	3JY31290	GEAR 22/41	13
	303JY24A80	3JY24A80	STOPPER FEED	11	⊙	303JY31300	3JY31300	GEAR 20/40 SUB	13
	303JY24A90	3JY24A90	COVER WIRE	12		303JY31310	3JY31310	SPRING TENSION	13
	303JY24AA0	3JY24AA0	CUSHION FEED	11		303JY31330	3JY31330	SHAFT LIFT MAIN TRAY B	13
	303JY24AB0	3JY24AB0	CUSHION C ON	11		303JY34030	3JY34030	LABEL STAPLER	2
	303JY24AC0	3JY24AC0	CUSHION C OFF	11		303JY34040	3JY34040	LABEL D1	12
	303JY24AD0	3JY24AD0	CUSHION B	12		303JY34050	3JY34050	LABEL D2 E1 E2	1
	303JY24AE0	3JY24AE0	FRAME FRONT FEED	11		303JY34080	3JY34080	LABEL D5	15
	303JY28010	3JY28010	TENSION PLATE MAIN TRAY	4		303JY34090	3JY34090	LABEL D6	10
	303JY28020	3JY28020	DETECTION PLATE MAIN	4		303JY34100	3JY34100	LABEL D7	10
	303JY28040	3JY28040	SHAFT LEVER MAIN EJECT	4		303JY34110	3JY34110	LABEL D8	1
	303JY28051	3JY28051	LEVER MAIN EJECT A	4		303JY34120	3JY34120	LABEL MT LOCK	6
	303JY28061	3JY28061	LEVER MAIN EJECT B	4	⊙	303JY34130	3JY34130	LABEL A	15
	303JY28070	3JY28070	SPRING LEVER MAIN EJECT	4	⊙	303JY34140	3JY34140	LABEL B	15
	303JY28080	3JY28080	HOOK EJECT LEVER	3		303JY34160	3JY34160	LABEL A STAPLER	5
	303JY28090	3JY28090	SUPPORT PLATE EJECT SW	3		303JY34180	3JY34180	LABEL D3	6
⊙	303JY28120	3JY28120	ROLLER MAIN EJECT	4	⊙	303JY34220	3JY34220	LABEL C,REV	1
	303JY28130	3JY28130	GUIDE UPPER EJECT	3		303JY36011	3JY36011	FRAME MT FRONT	6
	303JY28150	3JY28150	LEVER EJECT	3		303JY36031	3JY36031	STAY CURSOR MT	7
	303JY28170	3JY28170	MOUNT EJECT SOLENOID	3		303JY36040	3JY36040	GUIDE MT LOWER	7
	303JY28180	3JY28180	SHAFT EJECT LEVER	3		303JY36080	3JY36080	LEFT STAY SLIDER MT	9
	303JY28190	3JY28190	TENSION PLATE MAIN TRAY B	4		303JY36090	3JY36090	RIGHT STAY SLIDER	8
	303JY28200	3JY28200	SPRING MAIN TRAY	4		303JY36100	3JY36100	CURSOL FRONT	7
	303JY28210	3JY28210	GROUND PLATE MAIN EJECT	3		303JY36111	3JY36111	CURSOR REAR	7
	303JY28230	3JY28230	FILM MAIN TRAY SENSOR	2	⊙	303JY36120	3JY36120	RACK CURSOR	7
	303JY28240	3JY28240	FILM GUIDE EXIT	3		303JY36151	3JY36151	CLAW LOWER FEED	10
	303JY28260	3JY28260	STAY EJECT B	3		303JY36161	3JY36161	GUIDE UPPER A4	10
	303JY28270	3JY28270	GUIDE LOWER EJECT B	3		303JY36172	3JY36172	GUIDE LOWER A4	8
	303JY28280	3JY28280	CUSHION EJECT GUIDE B	3	⊙	303JY36200	3JY36200	ROLLER MT	10
	303JY28290	3JY28290	FILM GUIDE B	3		303JY36220	3JY36220	SHAFT UPPER BELT	7
	303JY28300	3JY28300	STAY EJECT HOLDER	4		303JY36230	3JY36230	SHAFT MIDDLE BELT	7
	303JY28310	3JY28310	MOUNT SOL EJECT HOLDER	4		303JY36240	3JY36240	SHAFT FEED UPPER	8
	303JY28320	3JY28320	STOPPER HOLDER SOL	4		303JY36250	3JY36250	SHAFT FEED LOWER	8
	303JY28330	3JY28330	STOPPER PAPER HOLDER	4		303JY36270	3JY36270	SHAFT CURSOR	7
	303JY28340	3JY28340	SPRING HOLDER SOL	4	⊙	303JY36280	3JY36280	PULLEY LOWER BELT	7
	303JY28390	3JY28390	COVER WIRE EJECT	3	⊙	303JY36290	3JY36290	BELT UPPER MT	7

• Parts with "⊙" indicate regular maintenance parts.

	Part.No.	Alternative.	Description	Fig.No.		Part.No.	Alternative.	Description	Fig.No.
⊙	303JY36300	3JY36300	BELT LOWER MT	7		303JY37040	3JY37040	SHAFT TENSION MT	7
	303JY36311	3JY36311	SHAFT LOWER BELT	7		303JY37050	3JY37050	PLATE TENSION MT	7
	303JY36321	3JY36321	STAY LOW	7		303JY37071	3JY37071	STAY FEED LOW	8
	303JY36351	3JY36351	GUIDE BF CONVAIN UP	10		303JY37100	3JY37100	SPRING PAPER GUIDE R	6
	303JY36360	3JY36360	GUIDE BF CONVAIN LOW	10		303JY37110	3JY37110	SPRING FEED PULLEY	8
	303JY36370	3JY36370	STAY FEED	8		303JY37120	3JY37120	BASE LOCK	7
⊙	303JY36380	3JY36380	GEAR 24	7,8,10		303JY37130	3JY37130	PLATE LOCK	7
	303JY36430	3JY36430	SHAFT FULCRUM MT	10		303JY37140	3JY37140	LEVER HOLDER MT	6
	303JY36441	3JY36441	MOUNT MOTOR MT A	6		303JY37150	3JY37150	FILM PADDLE	8
	303JY36460	3JY36460	MOUNT HP SW	7		303JY37160	3JY37160	STAY HOLDER UP	6
	303JY36470	3JY36470	LEVER MIDDLE BELT SW	7		303JY37181	3JY37181	GUIDE PAPER UPPER	10
	303JY36480	3JY36480	LEVER SOL PADDLE A	8		303JY37190	3JY37190	SPRING PAPER GUIDE F	10
	303JY36510	3JY36510	SHAFT SOL PADDLE	8	⊙	303JY37220	3JY37220	STATIC ELIMINATOR CURSOR	5,7
⊙	303JY36520	3JY36520	BELT FEED PULLEY	8		303JY37231	3JY37231	FILM STAPLE UP	6
	303JY36540	3JY36540	SHAFT PULLEY A4	8		303JY37240	3JY37240	SLIDER MIDDLE TRAY	2
⊙	303JY36560	3JY36560	BELT MIDDLE TRAY MOTOR	7,13	⊙	303JY37250	3JY37250	STATIC ELIMINATOR GUIDE	10
	303JY36570	3JY36570	MOUNT SW A	7		303JY37260	3JY37260	SPRING SOL A	10
	303JY36580	3JY36580	MOUNT SW B	7		303JY37290	3JY37290	FILM CURSOR GUIDE A	7
	303JY36630	3JY36630	LEVER SOL MT C	10		303JY37300	3JY37300	FILM CURSOR GUIDE B	7
	303JY36640	3JY36640	GUIDE WIRE	7		303JY37310	3JY37310	MOUNT SW GUIDE	10
	303JY36672	3JY36672	MOUNT MOTOR BYPASS	10		303JY37330	3JY37330	FILM CURSOR GUIDE F	7
⊙	303JY36680	3JY36680	PULLEY BELT IDLE	7		303JY37340	3JY37340	FILM CURSOR GUIDE R	7
	303JY36690	3JY36690	PLATE SPRING CONVEYING	8		303JY37350	3JY37350	FILM STAPLE UP F	6
⊙	303JY36720	3JY36720	GEAR Z26-P30 SENSOR	7		303JY37361	3JY37361	PLATE MT UP	10
	303JY36730	3JY36730	MOUNT HOOK A	6	⊙	303JY37390	3JY37390	SEAL BELT SENSOR	7
	303JY36740	3JY36740	LEVER HOOK A	6		303JY37400	3JY37400	DISCHARGER GUIDE UP	10
	303JY36750	3JY36750	PLATE HOOK MT	9		303JY37410	3JY37410	SHEET CURSOR SIDE F	7
⊙	303JY36770	3JY36770	GEAR Z65-Z24 SENSOR	6		303JY37420	3JY37420	SHEET CURSOR SIDE R	7
⊙	303JY36780	3JY36780	GEAR Z72 SENSOR	6		303JY37430	3JY37430	FILM STAPLE UP B	6
	303JY36790	3JY36790	MOUNT SENSOR	6		303JY37511	3JY37511	FRAME MT UP FRONT	10
	303JY36800	3JY36800	CUM PULSE	6		303JY37521	3JY37521	FRAME MT UP REAR	10
	303JY36810	3JY36810	MOUNT HOOK B	6		303JY37531	3JY37531	GUIDE FEED SUB	10
	303JY36820	3JY36820	LEVER HOOK B	6		303JY37540	3JY37540	GUIDE FEED LOW	10
	303JY36841	3JY36841	GUIDE PAPER LOW	10		303JY37550	3JY37550	STOPPER GUIDE LOW F	6
	303JY36850	3JY36850	RAIL STOPPER LOW	2		303JY37560	3JY37560	STOPPER GUIDE LOW R	6
	303JY36860	3JY36860	GUIDE STAPLE UP F	6		303JY37570	3JY37570	BUSH GUIDE F	10
	303JY36870	3JY36870	GUIDE STAPLE UP R	6		303JY37580	3JY37580	SLIDER GUIDE	10
	303JY36881	3JY36881	STOPPER PAPER LOW	6		303JY37600	3JY37600	LEVER SOL MT A	10
⊙	303JY36900	3JY36900	HANDLE MT LOCK	6		303JY37610	3JY37610	MOUNT SOL MT A	10
	303JY36910	3JY36910	PLATE BELT SENSOR	7		303JY37620	3JY37620	LEVER UPPER CLAW F	10
	303JY36920	3JY36920	COVER PWB MT	9		303JY37630	3JY37630	SHAFT UPPER CLAW A	10
	303JY36930	3JY36930	MOUNT SOL MT D2	6	⊙	303JY37650	3JY37650	ROLLER UPPER CLAW	10
	303JY36950	3JY36950	MOUNT SOL MT B2	6		303JY37660	3JY37660	LEVER SOL MT B3	6
	303JY36960	3JY36960	MOUNT HANDLE UP	6		303JY37670	3JY37670	LEVER SOL MT D3	6
	303JY36970	3JY36970	MOUNT HANDLE LOW	6		303JY37680	3JY37680	HANDLE MT RELEASE	10
	303JY36980	3JY36980	MOUNT MOTOR FEED	6		303JY37690	3JY37690	SPRING BF SOL	10
	303JY36990	3JY36990	RAIL STOPPER UP	2		303JY37700	3JY37700	CUSHION BF	10
	303JY37010	3JY37010	GUIDE STAPLE UP C	6		303JY37710	3JY37710	CUSHION GUIDE BF	10
	303JY37020	3JY37020	SPRING COMP LOCK	7		303JY37740	3JY37740	LEVER UPPER CLAW R	10
	303JY37030	3JY37030	SPRING STOPPER LOW	6		303JY37760	3JY37760	GUIDE WIRE A	8

• Parts with "⊙" indicate regular maintenance parts.

	Part.No.	Alternative.	Description	Fig.No.		Part.No.	Alternative.	Description	Fig.No.
	303JY37770	3JY37770	GUIDE WIRE B	10	⊙	303JY44070	3JY44070	SOLENOID HOLDER	4,6,8
	303JY37781	3JY37781	GUIDE WIRE C	10	⊙	303JY44080	3JY44080	SOLENOID FEED SHIFT 2	10
	303JY37790	3JY37790	MOUNT SOL MT C	10		303JY46010	3JY46010	WIRE FFC	5
	303JY37810	3JY37810	SHEET BYPASS	10		303JY46160	3JY46160	JUNCTION WIRING C SENSOR	11
	303JY37820	3JY37820	GUIDE ROLLER U	10		303JY46240	3JY46240	WIRE BOOKLET FOLDER	2
	303JY37830	3JY37830	SHEET ROLLER U	10		303JY46280	3JY46280	JUNCTION WIRING BOOKLET DETECTION	14
	303JY38011	3JY38011	BASE DRIVE STAPLER	5		303JY46300	3JY46300	JUNCTION WIRING LIFT HP SENSOR	6
	303JY38031	3JY38031	MOUNT STAPLER	5		303KB28010	3KB28010	PAD JS SENSOR	11
	303JY38040	3JY38040	SHAFT DRIVE STAPLER	5	⊙	303KN02030	3KN02030	COVER AT	18
	303JY38060	3JY38060	SHAFT WORM	5		303KN04040	3KN04040	GUIDE INSERT	18
⊙	303JY38080	3JY38080	ROLLER SADDLE CONVEYING	2		303LT02010	3LT02010	GUIDE WIRE A	2
	303JY38090	3JY38090	MOUNT PULLEY TENSION	5		303LT02020	3LT02020	LID WIRE GUIDE	2,3
	303JY38100	3JY38100	GUIDE RIGHT SC	1		303LT02030	3LT02030	GUIDE WIRE B	2
	303JY38111	3JY38111	GUIDE LEFT SC	2		303LT02040	3LT02040	GUIDE WIRE C	8
	303JY38180	3JY38180	SHAFT PULLEY SC	1		303LT02050	3LT02050	GUIDE WIRE D	3
	303JY38200	3JY38200	HINGE SADDLE CONVEYING	2		303LT02060	3LT02060	FILM PWB UPPER	2
	303JY38210	3JY38210	MOUNT HINGE SC	1		303LT02070	3LT02070	FILM PWB LOWER	2
	303JY38230	3JY38230	MOUNT BELT HOLD	5		303LT02080	3LT02080	FILM PWB FOOT	2
	303JY38240	3JY38240	SPACER 25	5		303LT02090	3LT02090	STAY RAIL	15
	303JY38250	3JY38250	BUSHING 10	5		303LT02100	3LT02100	PLATE FOOT R	15
	303JY38410	3JY38410	GUIDE UPPER	1		303LT02110	3LT02110	COVER FOOT R	15
	303JY38420	3JY38420	MOUNT SADDLE SENSOR	2		303LT02120	3LT02120	GUIDE RELEASE B	2
	303JY38500	3JY38500	MOUNT STPL UPPER	5		303LT02140	3LT02140	PLATE HOLDER	2
	303JY38510	3JY38510	BUSHING STPL BASE	5		303LT02150	3LT02150	PLATE ADJUST	2
	303JY38520	3JY38520	STOPPER PAPER F	5		303LT02160	3LT02160	SHAFT PULLEY	2
	303JY38532	3JY38532	MOUNT STPL LOWER	5		303LT02170	3LT02170	BOLT M10	2
	303JY38540	3JY38540	RAIL STPL BASE	5		303LT03010	3LT03010	FRAME BASE S	16
	303JY38550	3JY38550	STOPPER PAPER STACK	5		303LT03020	3LT03020	STAY BASE S	16
	303JY38560	3JY38560	BUSHING PAPER HOLDER	5	⊙	303LT03030	3LT03030	COVER FRONT S	16
	303JY38570	3JY38570	GUIDE PAPER STOPPER FRONT	5	⊙	303LT03040	3LT03040	COVER REAR S	16
	303JY38580	3JY38580	GUIDE PAPER STOPPER REAR	5	⊙	303LT03050	3LT03050	COVER LEFT S	16
	303JY38590	3JY38590	MOUNT STPL MOTOR	5	⊙	303LT03060	3LT03060	HOLDER PULLEY	16
	303JY38601	3JY38601	EDGING FFC	5		303LT03070	3LT03070	PLATE ADJUST	16
	303JY38610	3JY38610	JOINT STPL BELT	5		303LT03080	3LT03080	BASE SLIDER S	15,16
	303JY38621	3JY38621	MOUNT PRINT STPL	5		303LT03090	3LT03090	PULLEY SLIDER S	15,16
	303JY38630	3JY38630	CUSHION SLIDE RAIL	5		303LT03120	3LT03120	SHAFT PULLEY	16
	303JY38640	3JY38640	SPRING STOPPER	5		303LT03130	3LT03130	SPANNER	16
⊙	303JY38660	3JY38660	BELT S2M 898	5		303LT03140	3LT03140	BOLT M10L40	16
⊙	303JY38670	3JY38670	PULLEY IDLE 36 32	5		303LT03150	3LT03150	PLATE PF	15,16
⊙	303JY38710	3JY38710	GEAR 82 WORM	5	⊙	303LT04010	3LT04010	COVER REAR	1
⊙	303JY38720	3JY38720	GEAR 40 STPL DRIVE	5	⊙	303LT04020	3LT04020	COVER FRONT	1
	303JY38730	3JY38730	STOPPER PAPER R	5	⊙	303LT04030	3LT04030	COVER SILVER	1
	303JY38740	3JY38740	SPRING RIGHT COVER	1		303LT04040	3LT04040	COVER INNER	1
⊙	303JY38750	3JY38750	CARTRIDGE EH590	15	⊙	303LT04051	3LT04051	COVER TOP	1
	303JY38760	3JY38760	GUIDE PLATE	5	⊙	303LT04060	3LT04060	COVER FRONT UNDER	1
	303JY38770	3JY38770	COLLAR STAPLE UNIT	5	⊙	303LT04070	3LT04070	COVER LEFT	1
⊙	303JY44010	3JY44010	STAPLER EH590	5		303LT04080	3LT04080	LEVER SET SW	1
⊙	303JY44020	3JY44020	MOTOR CONVEYING	13	⊙	303LT04090	3LT04090	LID FRONT TOP COVER	1
⊙	303JY44050	3JY44050	SOLENOID FEED SHIFT	10	⊙	303LT04100	3LT04100	LID REAR TOP COVER	1
⊙	303JY44060	3JY44060	SOLENOID DIVERGENCE	11,12		303LT04110	3LT04110	LEVER RELEASE	3

• Parts with "⊙" indicate regular maintenance parts.

	Part.No.	Alternative.	Description	Fig.No.		Part.No.	Alternative.	Description	Fig.No.
⊙	303LT04120	3LT04120	LABEL COVER TOP	1	⊙	303LT94010	3LT94010	PARTS MAIN PWB ASSY SP	14
⊙	303LT24010	3LT24010	COVER RIGHT SUB	11	⊙	303LT94020	3LT94020	PARTS MIDDLE PWB ASSY SP	9
	303LT24020	3LT24020	GUIDE RIGHT SUB	11		303MA02041	3MA02041	RETAINER FINISHER FL	18
	303LT24031	3LT24031	GUIDE RIGHT SUB EXIT 1	1		303MA02051	3MA02051	RETAINER FINISHER RL	18
⊙	303LT24041	3LT24041	GUIDE RIGHT SUB EXIT 2	1		33902130	33902130	SPRING,CASSETTE HOOK	15
⊙	303LT34020	3LT34020	LABEL JAM OPERATION	1		34922440	34922440	COLLAR,DRIVE	13
⊙	303LT34030	3LT34030	LABEL PAPER SET	1		36802270	36802270	REINFORCEMENT,RELEASE LEVER	3
⊙	303LT34040	3LT34040	LABEL TRAY CAUTION	1	⊙	3AK02060	3AK02060	STAY,PARTITION	2
	303LT36010	3LT36010	STAY PADDLE SOL	8		3AK02080	3AK02080	PULLEY,FINISHER	2
	303LT36020	3LT36020	GUIDE MT UP	8		3AK02160	3AK02160	HOOK,FINISHER RELEASE	3
	303LT36030	3LT36030	MOUNT PADDLE SOL	8		3AK02240	3AK02240	PULLEY,Sorter	2
	303LT36040	3LT36040	GUIDE WIRE PADDLE	8	⊙	3AK07080	3AK07080	GEAR,CURSOR MOTOR	7,13
	303LT36050	3LT36050	MOUNT PWB MT	9	⊙	3AK07230	3AK07230	PULLEY 20S3M	7
	303LT36060	3LT36060	FILM CURSOR F	7		3AK08300	3AK08300	ROLLER,LEADING FEED	8
	303LT36070	3LT36070	FILM CURSOR R	7		3AK20010	3AK20010	RAIL,MAIN TRAY	2
	303LT38010	3LT38010	HOLDER PULLEY SC	1		3AK20020	3AK20020	FRONT FRAME,MAIN TRAY	4
	303LT38020	3LT38020	GUIDE SADDLE CONVEYING	1		3AK20030	3AK20030	REAR FRAME,MAIN TRAY	4
	303LT38030	3LT38030	COVER BELT	5		3AK20050	3AK20050	HOLDER,TIMING BELT	4
⊙	303LT38040	3LT38040	PULLEY IDLE 32	5	⊙	3AK20080	3AK20080	GEAR 18/50	13
	303LT46010	3LT46010	WIRE MIDDLE TRAY A	9	⊙	3AK20090	3AK20090	GEAR 51	4
	303LT46020	3LT46020	WIRE MIDDLE TRAY B	9	⊙	3AK20130	3AK20130	GEAR,WORM MAIN TRAY	5,13
	303LT46030	3LT46030	WIRE MIDDLE TRAY C	9	⊙	3AK20150	3AK20150	DETECTION PLATE,MAIN TRAY SENSOR MIDDLE	2
	303LT46040	3LT46040	WIRE MIDDLE TRAY UNIT	14		3AK20180	3AK20180	PIN,MAIN TRAY	4
	303LT46050	3LT46050	WIRE LEFT POWER	14	⊙	3AK20200	3AK20200	PULLEY,MAIN TRAY	4
	303LT46060	3LT46060	WIRE LEFT SIGNAL	14	⊙	3AK20210	3AK20210	BELT,TRAY LIFT	4
	303LT46070	3LT46070	WIRE FRONT	2	⊙	3AK20230	3AK20230	PULLEY 20S5M	4
	303LT46080	3LT46080	WIRE PUNCH UNIT	14	⊙	3AK20240	3AK20240	VIBRATION INSULATOR,MAIN TRAY	15
	303LT46090	3LT46090	WIRE PAPER PRESS SENSOR	4		3AK20250	3AK20250	SPRING,MAIN TRAY SENSOR MIDDLE	2
	303LT46100	3LT46100	JUNCTION WIRING STAPLER SENSOR	5		3B802170	3B802170	SUPPORT PLATE,HOOK	12
	303LT46110	3LT46110	JUNCTION WIRING S SENSOR	2		3B807410	3B807410	FRONT SUPPORT PLATE,FEED PULLEY	8
	303LT46120	3LT46120	WIRE STAPLER UNIT	5		3B807420	3B807420	REAR SUPPORT PLATE,FEED PULLEY	8
	303LT46130	3LT46130	WIRE SIDE REGIST MOTOR	9		3B807640	3B807640	PAD,CURSOR	1,3,7
	303LT46140	3LT46140	WIRE UPPER UNIT	10	⊙	3B807820	3B807820	SHEET,LEADING FEED ROLLER	8
	303LT46150	3LT46150	WIRE EJECT SENSOR 1	12		3B816040	3B816040	SHAFT,CONVEYING PULLEY	12
	303LT46160	3LT46160	WIRE UPPER SENSOR	8		3B816410	3B816410	HANDLE,DECURLER	12
	303LT46170	3LT46170	JUNCTION WIRING SOLENOID	8		3B816560	3B816560	COLLAR TOP,SUB CONVEYING	11,12
	303LT46180	3LT46180	WIRE MAIL TRAY	14	⊙	3B816920	3B816920	STATIC ELIMINATOR,SUB EJECT	3,12
	303LT46190	3LT46190	WIRE BOOKLET DETECTION	14		3B821060	3B821060	UPPER FULCRUM PIN,EJECT GUIDE	3
	303LT46200	3LT46200	JUNCTION WIRING SENSOR	3		3B822030	3B822030	SUPPORT PLATE,MIDDLE TRAY DRIVE	2
	303LT46210	3LT46210	WIRE INTERFACE	14		3C106040	3C106040	LEVER,HOLDER MAIN EJECT	4
	303LT46220	3LT46220	JUNCTION WIRING MT LED	2		3CG02041	3CG02041	PIN,RELEASE LEVER	3,15,18
	303LT46230	3LT46230	WIRE BOOKLET SENSOR	2		3CG07041	3CG07041	PIN,CONNECTOR	2
	303LT46240	3LT46240	WIRE INTERFACE MDTRAY	9	⊙	3CG22060	3CG22060	PULLEY 34,CONVEYING	13
	303LT46250	3LT46250	WIRE LOWER SENSOR	7		3CY07080	3CY07080	BUSHING 6	2,4,5,8,11,18
	303LT46260	3LT46260	WIRE EJECT SENSOR 2	11		3H316290	3H316290	RIGHT GUIDE CONVEYING	12
⊙	303LT93010	3LT93010	PARTS MOTOR CONVEYING	6,7,13		3H316570	3H316570	GUIDE CONVEYING PULLEY	12
⊙	303LT93020	3LT93020	PARTS MOTOR FEED SHIFT	6		3H316640	3H316640	SPRING FEED SHIFT	11
⊙	303LT93030	3LT93030	PARTS MOTOR PAPER FEED	10		3H316720	3H316720	LEVER DECURLER PRESSURE	12
⊙	303LT93040	3LT93040	PARTS MOTOR FEED A	5		3H316730	3H316730	LEVER PRESSING PLATE	12
⊙	303LT93050	3LT93050	PARTS MOTOR FEED SHIFT	5,6	⊙	3H327400	3H327400	MOTOR,CONVEYING	13

• Parts with "⊙" indicate regular maintenance parts.

	Part.No.	Alternative.	Description	Fig.No.		Part.No.	Alternative.	Description	Fig.No.
⊙	3H327410	3H327410	SENSOR,CONVEYING	3,7,8,10		M2108870	M2108870	SPACER,KGPS-10RF(KITAGAWA)	14
⊙	3H327430	3H327430	SOLENOID,EJECT	3		M2108880	M2108880	SPACER,KGPS-5RF(KITAGAWA)	5
	3H416070	3H416070	COLLAR PRESSURE	16		M21AH010	M21AH010	BAND,RSG-130-V0(KITAGAWA)	2,3,5,6,8,9,10, 11,12,13,14
⊙	3H427050	3H427050	SENSOR TANK	2		M21AK010	M21AK010	WIRE SADDLE,RLWS-1T V0(KITAGAWA)	2
	3H608150	3H608150	SHAFT C PULLEY	1,11,12		M70A5010	M70A5010	CLAMP,EMT-4N(TAKEUCHI)	14
⊙	3H608200	3H608200	PULLEY CONVEYING	1,11,12		M70AK010	M70AK010	WIRE SADDLE,RMS-1V0(TAKEUCHI)	2,11,12
	3H608230	3H608230	SPRING C PULLEY	1,11,12					
⊙	3HP07080	3HP07080	GEAR Z60	6,10					
⊙	3HX21040	3HX21040	STATIC ELIMINATOR,EJECT	1					
	5MMS626SD003	2BM04100	PLATE MAGCHATCH	1					
	5MVL177DN001	2FB06810	RING STOPPER 4	2,5					
	5MVL177DN002	2FB06820	RING STOPPER 6	5					
⊙	5MVM176DN001	3B706020	PULLEY RAIL CASS /40283V0034 A4	5					
	5MVX111DN003	2A806250	RING STOPPER /A-49 FEED A4	3,4,5,6,7,8,10, 11,12,13,15,16, 18					
	5MVX111DN007	2BT11070	STOPPER 3 /2BT1107 A4	3,5,6,7,8,10,11, 13					
	60120050	60120050	SPRING SEPARATION CLAW	12					
⊙	62221110	62221110	PULLEY,FEEDBACK	3					
	63213261	63213261	PAD, EJECT ORIGINAL HOLDER	4					
	63213300	63213300	RETAINER,EJECT ORIGINAL HOLDER	4					
	63213320	63213320	CUSHION,ORIGINAL COLLECTION	4,8,10					
⊙	65016080	65016080	STOP RING E3	17					
⊙	66022190	66022190	GEAR,21 DEVELOPING	12,13					
⊙	66127010	66127010	SWITCH,COVER OPEN	11					
	68822330	68822330	BEARING,DRIVE	11,17,18					
	72418140	72418140	SPRING, BLADE	5					
	74318270	74318270	SPRING,TONER DISPOSAL	12					
⊙	74808080	74808080	BEARING,686ZZNR	12,13					
	75714210	75714210	COLLAR DEVELOPING UNIT	8,13					
	75915180	75915180	SPRING SUB DEV.UNIT LOCK LEVER	11					
⊙	76514050	76514050	PULLEY 20 DRIVE	8					
⊙	78722151	78722151	PULLEY 20	6,13					
	7YZM110001++H01	YZ009420	ACCESS.BUSHING	3,11					
	7YZM390003++H01	YZ042070	ACCESS.CLAMP	5					
	7YZM420003++H01	YZ052580	ACCESS.BAND	8,9					
	7YZM610001++H01	YZ010230	ACCESS SADDLE	3,9,11,13,14					
	7YZM610002++H01	YZ010240	ACCESS SADDLE	13					
	7YZM610004++H01	YZ012210	ACCESS SADDLE	2,14					
	7YZM610007++H01	YZ023340	ACCESS.SADDLE	2,3,7,11,12,13, 14					
	M1203220	49427406	OPEN BUSHING,OCB-625	3					
	M1203250	M1203250	OPEN BUSHING,OCB-875	2					
	M1203550	M1203550	STRAIN RELEAF BUSHING,SR-7W-2	14					
	M2104250	M2104250	EDGING,EDS-17L(KITAGAWA)	3,6,13					
	M2104260	M2104260	EDGING,EDS-0607U(KITAGAWA)	3,5,13					
	M2104350	M2104350	EDGING,EDS-0607M(KITAGAWA)	4,10,11,12					
	M2104390	M2104390	EDGING,EDS-0607L(KITAGAWA)	2,3,6,8					
	M2108370	M2108370	SPACER.WLS-04-0	14					

• Parts with "⊙" indicate regular maintenance parts.

BF-720

— CONTENTS —

FIG. 1	Booklet Feeder 1.....	2
FIG. 2	Booklet Feeder 2.....	4
FIG. 3	Booklet Feeder 3.....	6
FIG. 4	Booklet Feeder 4.....	8
FIG. 5	Accessories.....	10
	• INDEX	12

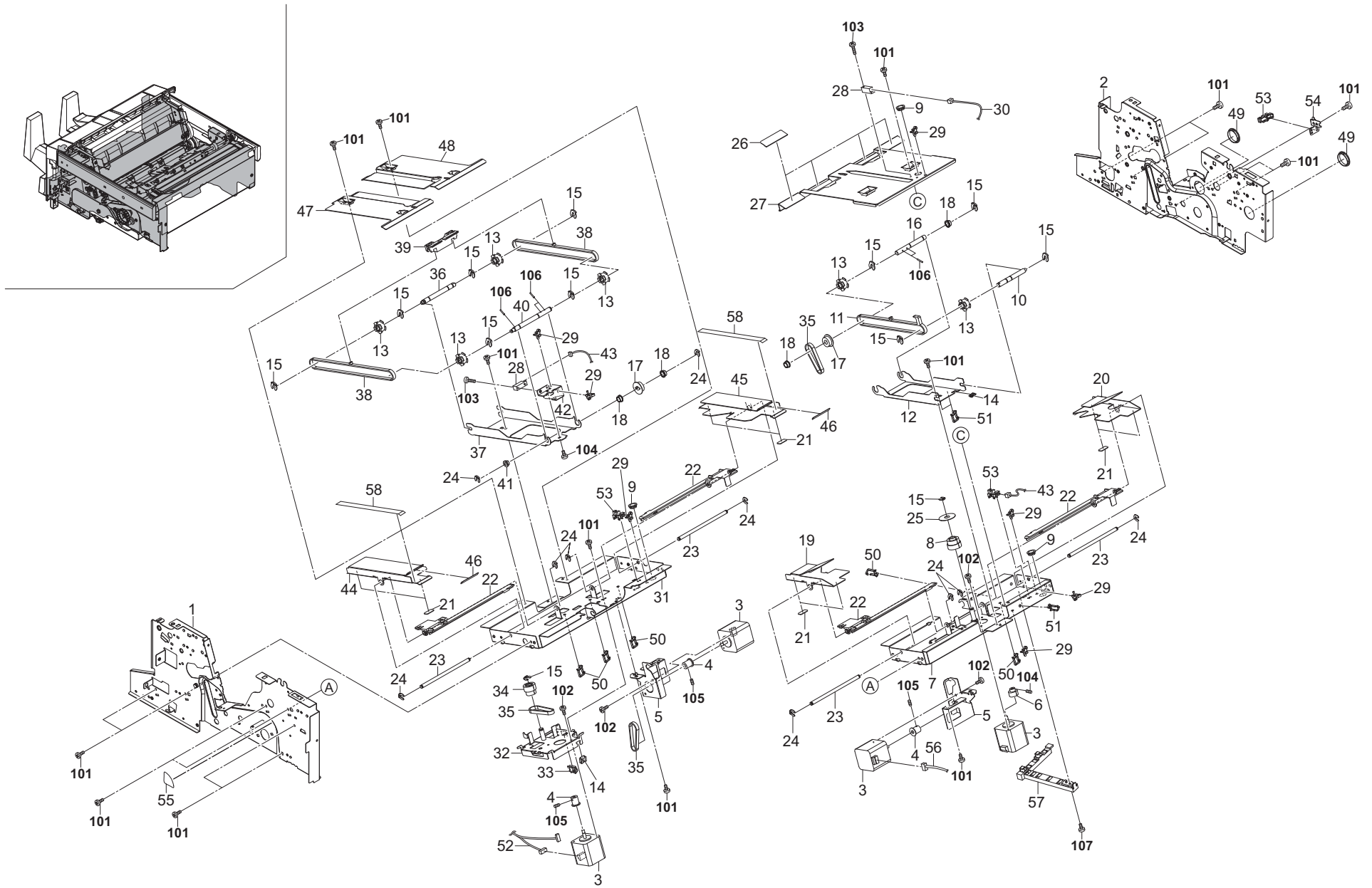


FIG. 1 Booklet Feeder 1

3LV-2

Ref. No.	Part.No.	Alternative.	Description	Quantity			
				110	120	230	240
1	303J102011	3J102011	FRAME FRONT	1	1	1	1
2	303J102021	3J102021	FRAME REAR	1	1	1	1
3	3H327400	3H327400	MOTOR,CONVEYING	4	4	4	4
4	78722151	78722151	PULLEY 20	3	3	3	3
5	303J124090	3J124090	STAY CONVEYING MOTOR	2	2	2	2
6	303H322131	3H322131	GEAR 19 CONVEYING	1	1	1	1
7	303J124011	3J124011	STAY SIDE REGIST	1	1	1	1
8	303J124060	3J124060	GEAR 30/26	1	1	1	1
9	7YZM110001++H01	YZ009420	ACCESS.BUSHING	3	3	3	3
10	303J124080	3J124080	SHAFT CONVEYING IDLE R	1	1	1	1
11	303J124110	3J124110	BELT CONVEYING REGIST	1	1	1	1
12	303J124481	3J124481	MOUNT BELT R	1	1	1	1
13	3AK07230	3AK07230	PULLEY 20SSM	6	6	6	6
14	M2104350	M2104350	EDGING,EDS-0607M(KITAGAWA)	2	2	2	2
15	2BC06910	2BC06910	STOPPER 6	12	12	12	12
16	303J124070	3J124070	SHAFT CONVEYING DRIVE R	1	1	1	1
17	3AP02040	3AP02040	PULLEY 30,DUPLEX	2	2	2	2
18	28107310	49028101	BUSH 8	4	4	4	4
19	303J124020	3J124020	CURSOR FRONT	1	1	1	1
20	303J124030	3J124030	CURSOR REAR	1	1	1	1
21	3B807640	3B807640	PAD,CURSOR	8	8	8	8
22	303J124370	3J124370	RACK CURSOR	4	4	4	4
23	303J124050	3J124050	SHAFT LOWER CURSOR	4	4	4	4
24	5MVX111DN003	2A806250	RING STOPPER /A-49 FEED A4	10	10	10	10
25	34922440	34922440	COLLAR,DRIVE	1	1	1	1
26	303J124561	3J124561	SHEET GUIDE REGIST	4	4	4	4
27	303J124040	3J124040	GUIDE REGIST	1	1	1	1
28	3H327410	3H327410	SENSOR,CONVEYING	2	2	2	2
29	M21AH010	M21AH010	BAND,RSG-130-V0(KITAGAWA)	7	7	7	7
30	303LV46090	3LV46090	JUNCTION WIRING REAR REGISTRATION	1	1	1	1
31	303J124251	3J124251	STAY REGIST FW	1	1	1	1
32	303J124471	3J124471	PLATE ADJUST	1	1	1	1
33	M2104200	M2104200	EDGING EDS-1	1	1	1	1
34	303J124500	3J124500	GEAR Z26 P30	1	1	1	1
35	303J124310	3J124310	BELT S2M 138	3	3	3	3
36	303J124440	3J124440	SHAFT CONVEYING IDLE	1	1	1	1
37	303J124490	3J124490	MOUNT BELT L	1	1	1	1
38	3CA16041	3CA16041	BELT,CONVEYING POSITIONING	2	2	2	2
39	303J124460	3J124460	HOLDER CONVEYING LIFT	1	1	1	1
40	303J124390	3J124390	SHAFT CONVEYING DRIVE L	1	1	1	1
41	3CY07080	3CY07080	BUSHING 6	1	1	1	1
42	303J124510	3J124510	MOUNT BELT L SENSOR	1	1	1	1
43	303LV46080	3LV46080	JUNCTION WIRING HP SENSOR	2	2	2	2
44	303J124340	3J124340	CURSOR FW FRONT	1	1	1	1
45	303J124350	3J124350	CURSOR FW REAR	1	1	1	1
46	303J124660	3J124660	SHEET CURSOR FW	2	2	2	2
47	303J124230	3J124230	GUIDE CONVEYING LOWER F	1	1	1	1
48	303J124240	3J124240	GUIDE CONVEYING LOWER R	1	1	1	1
49	7YZM110003++H01	YZ034780	ACCESS,BUSHING	2	2	2	2
50	7YZM610001++H01	YZ010230	ACCESS SADDLE	5	5	5	5

Ref. No.	Part.No.	Alternative.	Description	Quantity			
				110	120	230	240
51	7YZM610003++H01	YZ010250	ACCESS SADDLE	3	3	3	3
52	303LV46020	3LV46020	JUNCTION WIRING TRAY	1	1	1	1
53	2C927210	2C927210	SENSOR 248NL1	3	3	3	3
54	303J131340	3J131340	MOUNT BLADE PI	1	1	1	1
55	303J134050	3J134050	LABEL D10	1	1	1	1
56	303LV46030	3LV46030	WIRE REAR REGISTRATION MOTOR	1	1	1	1
57	303LV24010	3LV24010	COVER WIRE	1	1	1	1
58	303LV24020	3LV24020	SHEET CURSOR	2	2	2	2
101	7BB700408H	BB105640	+BIND T.T S SCREW 4X8 SR				
102	B4A03040	B4A03040	+TP-A SCREW M3X04(TRIVALENT CHROM				
103	7BB700314H	BB105610	+BIND T.T S SCREW 3X14 SR				
104	B5393040	B5393040	W-POINT SET SCREW M3X04				
105	B5394040	B5394040	W-POINT SET SCREW M4X4				
106	5MBP2010WXSP	E0020100	SPRING PIN / M2 X 10 S-BLK				

- Parts with "*" are component parts or sub-assemblies of the assembly appearing immediately above them.
- Parts with "⊙" indicate regular maintenance parts.

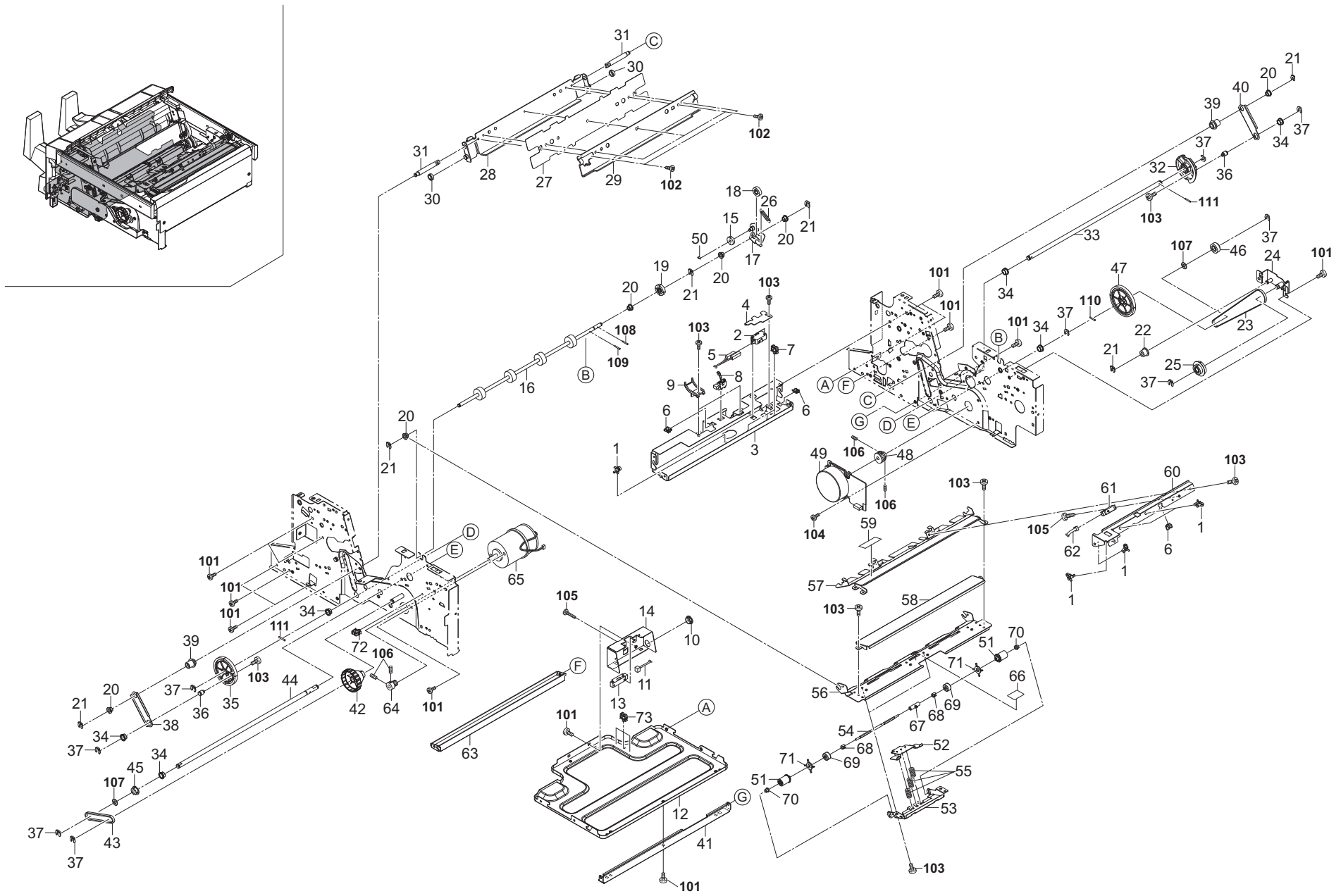


FIG. 2 Booklet Feeder 2

3LV-2

Ref. No.	Part.No.	Alternative.	Description	Quantity			
				110	120	230	240
1	M21AH010	M21AH010	BAND,RSG-130-V0(KITAGAWA)	5	5	5	5
2	2FB27160	2FB27160	INTER LOCK SWITCH	1	1	1	1
3	303J102052	3J102052	STAY LOWER EJECT	1	1	1	1
4	303J102200	3J102200	MOUNT SW TRAY	1	1	1	1
5	303J146030	3J146030	JUNCTION WIRING EJECT	1	1	1	1
6	M2104350	M2104350	EDGING,EDS-0607M(KITAGAWA)	3	3	3	3
7	M70AK010	M70AK010	WIRE SADDLE,RMS-1V0(TAKEUCHI)	3	3	3	3
8	2FB27050	2FB27050	SWITCH FEED	1	1	1	1
9	303J128310	3J128310	COVER EJECT ROLLER	2	2	2	2
10	7YZM110001++H01	YZ009420	ACCESS.BUSHING	1	1	1	1
11	303LV46070	3LV46070	JUNCTION WIRING TRAY SENSOR	1	1	1	1
12	303J102031	3J102031	BASE LEFT	1	1	1	1
13	303J145010	3J145010	SENSOR TRAY	1	1	1	1
14	303J102160	3J102160	MOUNT PAPER EMPTY SW	1	1	1	1
15	2C906080	2C906080	GEAR 18 BYPASS	1	1	1	1
16	303J124430	3J124430	ROLLER SWITCHBACK	1	1	1	1
17	303J131140	3J131140	COVER JOINT	1	1	1	1
18	3H622320	3H622320	GEAR 20 LIFT	1	1	1	1
19	3HW22020	3HW22020	GEAR 25	1	1	1	1
20	3CY07080	3CY07080	BUSHING 6	6	6	6	6
21	5MVX111DN003	2A806250	RING STOPPER /A-49 FEED A4	6	6	6	6
22	28801190	48928800	PULLEY,TIMING BELT	1	1	1	1
23	303J131130	3J131130	BELT S2M 400	1	1	1	1
24	303J131240	3J131240	HOLDER ROLLER SW B	1	1	1	1
25	303J131320	3J131320	GEAR Z22 P42	1	1	1	1
26	303J102210	3J102210	SPRING RELEASE	1	1	1	1
27	303J124140	3J124140	BLADE MID PRESSING	1	1	1	1
28	303J124150	3J124150	PLATE BLADE SUPPORT	1	1	1	1
29	303J124160	3J124160	HOLDER BLADE	1	1	1	1
30	303J124210	3J124210	BUSHING BLADE	2	2	2	2
31	303J124450	3J124450	SHAFT BLADE	2	2	2	2
32	303J124180	3J124180	CAM BLADE PRESSURE	1	1	1	1
33	303J131040	3J131040	SHAFT BLADE DRIVE L	1	1	1	1
34	28107310	49028101	BUSH 8	6	6	6	6
35	303J124170	3J124170	GEAR 55 BLADE PRESSURE	1	1	1	1
36	303J131030	3J131030	PIN BLADE DRIVE M3	2	2	2	2
37	2BC06910	2BC06910	STOPPER 6	9	9	9	9
38	303J124190	3J124190	ARM BLADE PRESS F	1	1	1	1
39	303J124670	3J124670	SPACER BLADE	2	2	2	2
40	303J124200	3J124200	ARM BLADE PRESS R	1	1	1	1
41	303J102230	3J102230	STAY REINFORCEMENT RIGHT	1	1	1	1
42	303J131331	3J131331	HANDLE SADDLE	1	1	1	1
43	303J131360	3J131360	BELT S3M 171	1	1	1	1
44	303J131230	3J131230	SHAFT HANDLE	1	1	1	1
45	303J131350	3J131350	PULLEY 15	1	1	1	1
46	29116050	45729103	GEAR 17,PF BELT ROLLER	1	1	1	1
47	303J131300	3J131300	GEAR Z76 P21	1	1	1	1
48	303H322131	3H322131	GEAR 19 CONVEYING	1	1	1	1
49	303J144020	3J144020	MOTOR CONVEYING	1	1	1	1
50	5MVX111DN007	2BT11070	STOPPER 3 /2BT1107 A4	1	1	1	1

Ref. No.	Part.No.	Alternative.	Description	Quantity			
				110	120	230	240
51	303J124610	3J124610	PULLEY FEED IN	4	4	4	4
52	303J124620	3J124620	MOUNT PULLEY FEED IN	2	2	2	2
53	303J124630	3J124630	HOLDER PULLEY FEED IN	2	2	2	2
54	303J124640	3J124640	SHAFT PULLEY FEED IN	2	2	2	2
55	303JX24190	3JX24190	SPRING CONVEYING	6	6	6	6
56	303J124570	3J124570	GUIDE LOWER FEED IN	1	1	1	1
57	303J124580	3J124580	GUIDE UPPER FEED IN	1	1	1	1
58	303J124600	3J124600	GUIDE MIDDLE FEED IN	1	1	1	1
59	303J134040	3J134040	LABEL D9	1	1	1	1
60	303J124591	3J124591	MOUNT SENSOR FEED IN	1	1	1	1
61	2FG27110	2FG27110	SWITCH REGISTRATION	1	1	1	1
62	303LV46100	3LV46100	JUNCTION WIRING CARRY SENSOR	1	1	1	1
63	303J102220	3J102220	STAY REINFORCEMENT LEFT	1	1	1	1
64	18307300	18307300	PULLEY 20P2M,MOTOR	1	1	1	1
65	303CA27060	3CA27060	MOTOR,FEED	1	1	1	1
66	3B807640	3B807640	PAD,CURSOR	1	1	1	1
67	303J124700	3J124700	COLLAR FEED IN	2	2	2	2
68	303J124710	3J124710	SPACER FEED IN	4	4	4	4
69	66321290	66321290	PULLEY,EJECT	4	4	4	4
70	303J124720	3J124720	BUSHING FEED IN	4	4	4	4
71	303J124731	3J124731	RUBBER FEED IN	4	4	4	4
72	7YZM610001++H01	YZ010230	ACCESS SADDLE	1	1	1	1
73	7YZM610007++H01	YZ023340	ACCESS.SADDLE	3	3	3	3
101	7BB700408H	BB105640	+BIND T.T S SCREW 4X8 SR				
102	5MBTPB4006TW++R	B1A54060	BIND T.T SCREW(+)/ M4 X 6 CRFREE S-T				
103	7BB700308H	BB105600	+BIND T.T S SCREW 3X8 SR				
104	5MBTPB4006TW++R	B1A54060	BIND T.T SCREW(+)/ M4 X 6 CRFREE S-T				
105	7BB700314H	BB105610	+BIND T.T S SCREW 3X14 SR				
106	B5393040	B5393040	W-POINT SET SCREW M3X04				
107	C2891140	C2891140	SHIM8.2X14X0.5T				
108	5MBP2010WXSP	E0020100	SPRING PIN / M2 X 10 S-BLK				
109	5MBP2012WXSP	E0020120	SPRING PIN / M2 X 12 S-BLK				
110	5MBP2014WXSP	E0020140	SPRING PIN / M2 X 14 S-BLK				
112	E5125160	E5125160	PARALLEL PIN H7A 2.5X16 SUS				

- Parts with "*" are component parts or sub-assemblies of the assembly appearing immediately above them.
- Parts with "⊙" indicate regular maintenance parts.

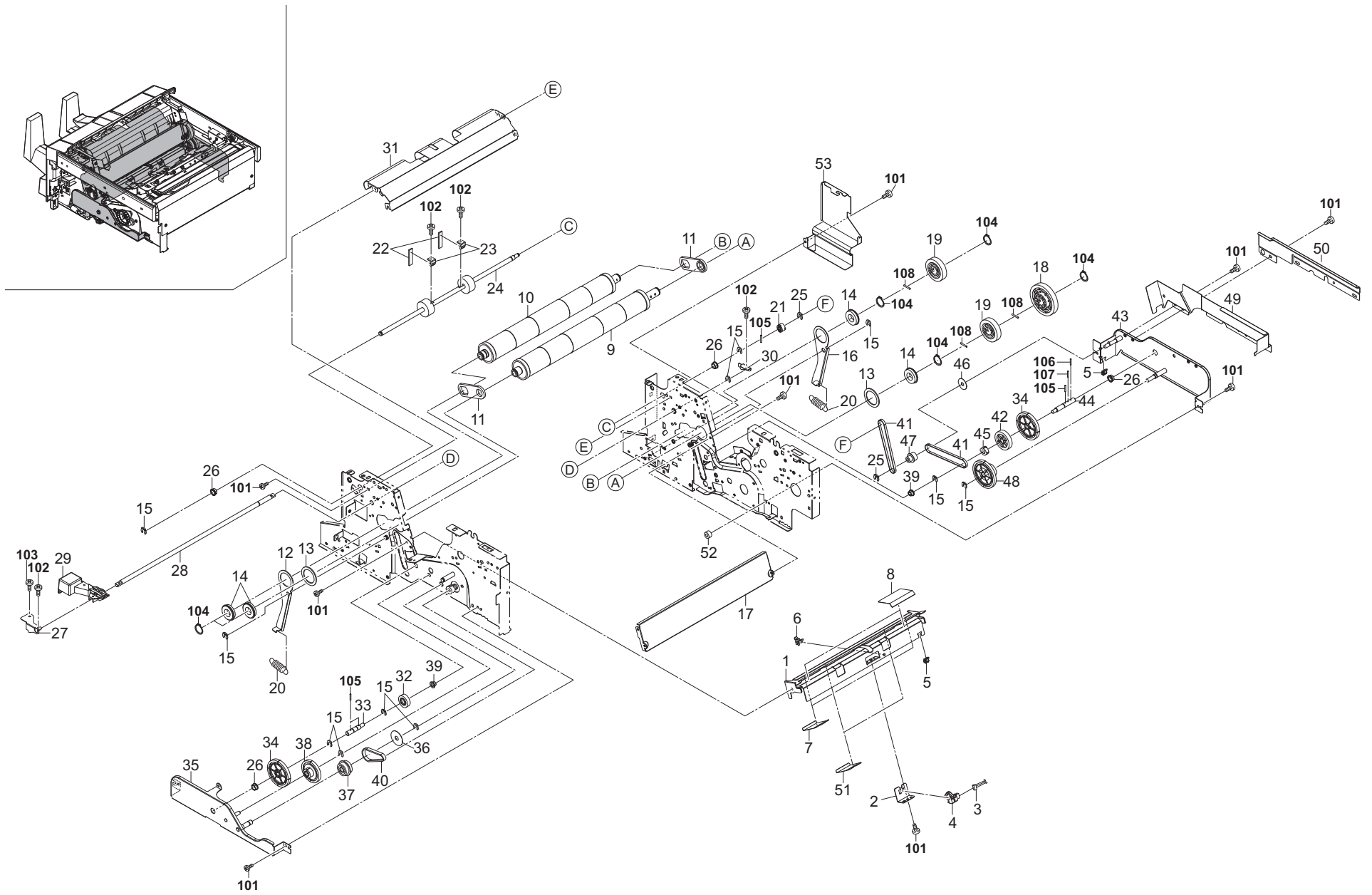


FIG. 3 Booklet Feeder 3

3LV-2

Ref. No.	Part.No.	Alternative.	Description	Quantity				Ref. No.	Part.No.	Alternative.	Description	Quantity				
				110	120	230	240					110	120	230	240	
	1	303J124221	3J124221	STAY SADDLE	1	1	1	1	51	303J124680	3J124680	SHEET STAY SADDLE UP M	2	2	2	2
	2	303J124650	3J124650	MOUNT PAPER SENSOR	1	1	1	1	52	302H002380	2H002380	SHIELD SCREW	1	1	1	1
	3	303LV46110	3LV46110	JUNCTION WIRING PAPER SENSOR	1	1	1	1	53	303J104060	3J104060	COVER CONNECTOR	1	1	1	1
⊙	4	3H427050	3H427050	SENSOR TANK	1	1	1	1								
	5	M2104350	M2104350	EDGING,EDS-0607M(KITAGAWA)	2	2	2	2								
	6	M21AH010	M21AH010	BAND,RSG-130-V0(KITAGAWA)	1	1	1	1								
	7	303J124540	3J124540	SHEET STAY SADDLE UP	2	2	2	2								
	8	303J124550	3J124550	SHEET STAY SADDLE LOW	2	2	2	2								
⊙	9	303LV94010	3LV94010	PARTS ROLLER PRESS A	1	1	1	1	101	7BB700408H	BB105640	+BIND T.T S SCREW 4X8 SR				
⊙	10	303LV94020	3LV94020	PARTS ROLLER PRESS B	1	1	1	1	102	5MBSP43006NW++R	B4A03060	TP HEAD SCREW(+)/ M3 X 6 DRFREE				
	11	3CA08060	3CA08060	JUNCTION PLATE,PRESSURE ROLLER	2	2	2	2	103	B1B64080	B1B64080	+BIND TAP-TITE P SCREW M4X08				
	12	303J102120	3J102120	LEVER PRESSURE FRONT	1	1	1	1	104	D2001500	D2001500	STOP RING C-15				
	13	303CA08071	3CA08071	SPACER,PRESSURE ROLLER	2	2	2	2	105	5MBP2010WXSP	E0020100	SPRING PIN / M2 X 10 S-BLK				
	14	302FB08550	2FB08550	BEARING 15/28 DRUM	4	4	4	4	106	5MBP2012WXSP	E0020120	SPRING PIN / M2 X 12 S-BLK				
	15	2BC06910	2BC06910	STOPPER 6	11	11	11	11	107	5MBP2014WXSP	E0020140	SPRING PIN / M2 X 14 S-BLK				
	16	303J102110	3J102110	LEVER PRESSURE REAR	1	1	1	1	108	E0130240	E0130240	SPRING PIN 3X24(SUS)				
	17	303J102170	3J102170	STAY MIDDLE	1	1	1	1								
⊙	18	3CA22020	3CA22020	GEAR 40/1.5,PRESSURE ROLLER	1	1	1	1								
⊙	19	3CA22030	3CA22030	GEAR 16/2.5,PRESSURE ROLLER	2	2	2	2								
	20	303LV28051	3LV28051	SPRING PRESSURE	2	2	2	2								
⊙	21	2BG07420	2BG07420	PULLEY SEPARATOR 23 B	1	1	1	1								
⊙	22	3CA16210	3CA16210	BRUSH,PAPER EJECT REGISTRATION	2	2	2	2								
	23	3CA16220	3CA16220	HOLDER,PAPER EJECT REGISTRATION BR	2	2	2	2								
⊙	24	303J124280	3J124280	ROLLER EJECT	1	1	1	1								
	25	5MVX111DN003	2A806250	RING STOPPER /A-49 FEED A4	2	2	2	2								
	26	28107310	49028101	BUSH 8	4	4	4	4								
	27	303J102180	3J102180	HOOK RELEASE FRONT	1	1	1	1								
	28	303J128200	3J128200	SHAFT RELEASE	1	1	1	1								
	29	303LV28040	3LV28040	LEVER RELEASE	1	1	1	1								
	30	303J102190	3J102190	HOOK RELEASE REAR	1	1	1	1								
	31	303J124300	3J124300	GUIDE EJECT LOWER	1	1	1	1								
⊙	32	33414050	33414050	GEAR 22,SLEEVE	1	1	1	1								
	33	303J131050	3J131050	SHAFT BLADE DRIVE S	1	1	1	1								
⊙	34	303J131370	3J131370	GEAR 53	2	2	2	2								
	35	303J131020	3J131020	HOLDER BLADE DRIVE	1	1	1	1								
	36	34922440	34922440	COLLAR,DRIVE	1	1	1	1								
⊙	37	36906150	36906150	GEAR 22/40,FEED	1	1	1	1								
⊙	38	303J131280	3J131280	GEAR 43/16	1	1	1	1								
	39	3CY07080	3CY07080	BUSHING 6	2	2	2	2								
⊙	40	303J124310	3J124310	BELT S2M 138	1	1	1	1								
⊙	41	303J131270	3J131270	BELT S2M 230	2	2	2	2								
⊙	42	74714130	74714130	GEAR 23 SPIRAL ROLLER	1	1	1	1								
	43	303J131160	3J131160	HOLDER ROLLER DR	1	1	1	1								
	44	303J131170	3J131170	SHAFT ROLLER DR1	1	1	1	1								
⊙	45	303J131380	3J131380	PULLEY 24	1	1	1	1								
	46	302FG22110	2FG22110	COLLAR BYPASS BELT	1	1	1	1								
⊙	47	18307370	18307370	PULLEY 25/18P2M,PAPER FEED	1	1	1	1								
⊙	48	303J131310	3J131310	GEAR 54/23	1	1	1	1								
	49	303J145062	3J145062	PLATE SUPPORT WIRE	1	1	1	1								
	50	303J145070	3J145070	PLATE COVER WIRE	1	1	1	1								

- Parts with "*" are component parts or sub-assemblies of the assembly appearing immediately above them.
- Parts with "⊙" indicate regular maintenance parts.

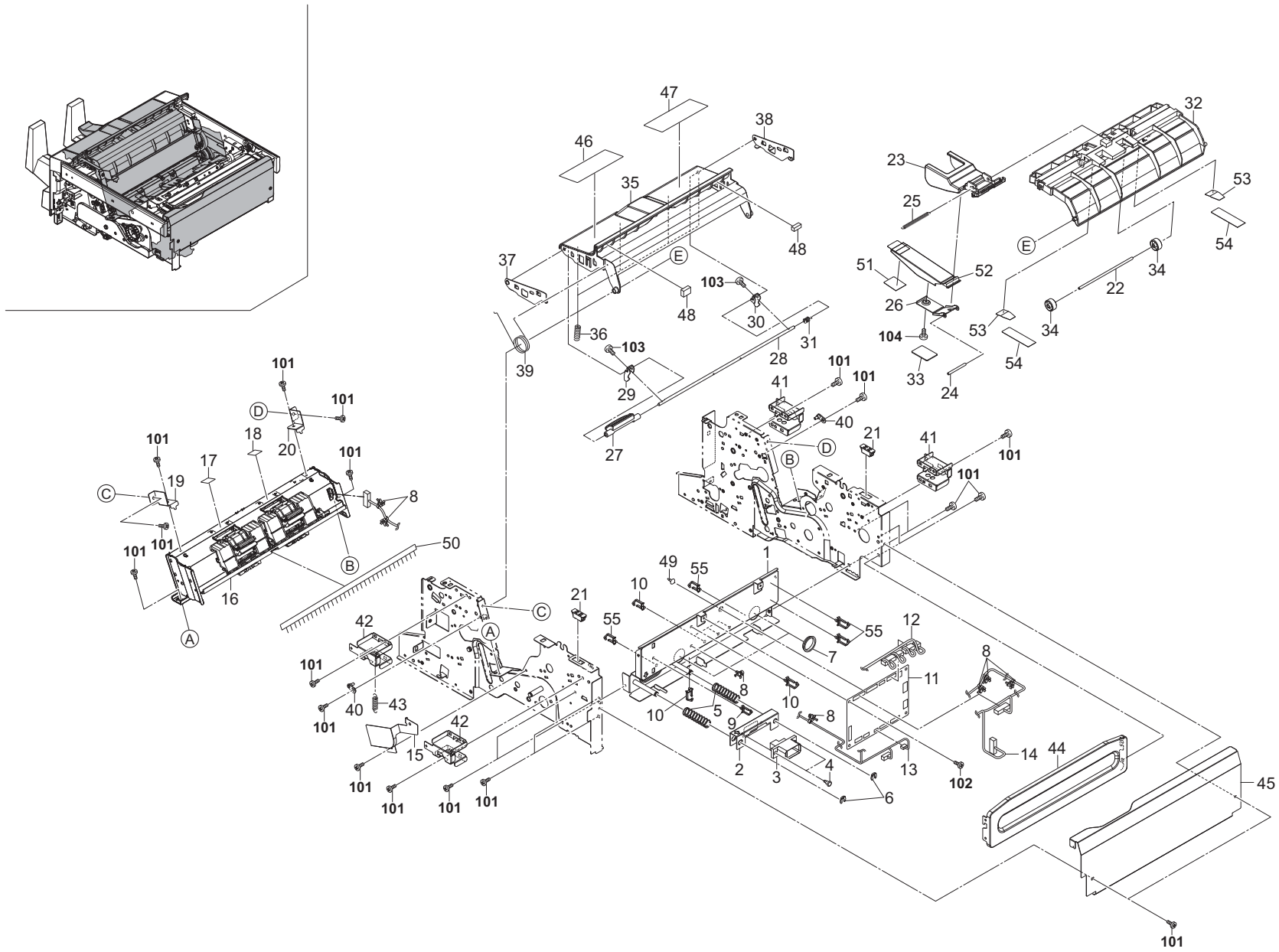


FIG. 4 Booklet Feeder 4

3LV-2

Ref. No.	Part.No.	Alternative.	Description	Quantity				Ref. No.	Part.No.	Alternative.	Description	Quantity				
				110	120	230	240					110	120	230	240	
1	303J102041	3J102041	PLATE SIDE	1	1	1	1	51	303J128300	3J128300	FILM EJECT PAPER HOLDER	1	1	1	1	
2	303J102101	3J102101	MOUNT SADDLE PLUG	1	1	1	1	52	303J128290	3J128290	COVER EJECT PAPER HOLDER	1	1	1	1	
3	303LV46010	3LV46010	WIRE INTERFACE	1	1	1	1	53	303J128330	3J128330	SHEET EJECT GUIDE S	2	2	2	2	
4	2FB16270	2FB16270	PIN DRAWER A	2	2	2	2	54	303J128340	3J128340	SHEET EJECT GUIDE L	2	2	2	2	
5	303J102140	3J102140	SPRING SADDLE PLUG	2	2	2	2	55	7YZM610002++H01	YZ010240	ACCESS SADDLE	4	4	4	4	
6	2BC06910	2BC06910	STOPPER 6	2	2	2	2									
7	7YZM110003++H01	YZ034780	ACCESS,BUSHING	2	2	2	2									
8	M21AH010	M21AH010	BAND,RSG-130-V0(KITAGAWA)	7	7	7	7									
9	7YZM610001++H01	YZ010230	ACCESS SADDLE	1	1	1	1									
10	7YZM610003++H01	YZ010250	ACCESS SADDLE	5	5	5	5									
⊙	11	303J180012	3J180012	MAIN PWB ASS'Y WITH SOFTWARE SP	1	1	1	1	101	7BB700408H	BB105640	+BIND T.T S SCREW 4X8 SR				
	12	303LV46050	3LV46050	WIRE MOTOR	1	1	1	1	102	7BB700308H	BB105600	+BIND T.T S SCREW 3X8 SR				
	13	303LV46060	3LV46060	WIRE SENSOR	1	1	1	1	103	5MBSP43006NW++R	B4A03060	TP HEAD SCREW(+)/ M3 X 6 DRFREE				
	14	303LV46040	3LV46040	WIRE REAR	1	1	1	1	104	5MBTPB3008PW++R	B1A63080	BIND T.T SCREW(+)/ M3 X 8 CRFREE P-T				
	15	303J104040	3J104040	COVER HANDLE SADDLE	1	1	1	1								
⊙	16	303J144010	3J144010	STAPLER EH280	1	1	1	1								
⊙	17	3B805070	3B805070	LABEL B	1	1	1	1								
⊙	18	3B805080	3B805080	LABEL C	1	1	1	1								
	19	303J102080	3J102080	MOUNT STAPLER FRONT	1	1	1	1								
	20	303J102090	3J102090	MOUNT STAPLER REAR	1	1	1	1								
	21	2FB17200	2FB17200	MAGNET UPPER REG GUIDE	2	2	2	2								
	22	3CA16060	3CA16060	SHAFT,CONVEYING PULLEY	1	1	1	1								
	23	303J128270	3J128270	ARM EXIT PAPER HOLDER	1	1	1	1								
	24	303J128251	3J128251	SHAFT EXIT PAPER HOLDER	1	1	1	1								
	25	3CA16260	3CA16260	SPRING,ARM FULCRUM	1	1	1	1								
	26	303J128260	3J128260	AUXILIARY PLATE EJECT ARM	1	1	1	1								
	27	303LV28030	3LV28030	HANDLE EXIT	1	1	1	1								
	28	303J128140	3J128140	SHAFT EXIT RELEASE	1	1	1	1								
	29	303J128150	3J128150	PLATE EXIT FRONT	1	1	1	1								
	30	303J128160	3J128160	PLATE EXIT REAR	1	1	1	1								
	31	303J128170	3J128170	SPRING EXIT HOOK	1	1	1	1								
	32	303LV28020	3LV28020	GUIDE EXIT UP	1	1	1	1								
	33	303J128280	3J128280	PAD EJECT PAPER HOLDER	1	1	1	1								
⊙	34	62221110	62221110	PULLEY,FEEDBACK	2	2	2	2								
⊙	35	303LV28010	3LV28010	COVER EXIT	1	1	1	1								
	36	303H321131	3H321131	SPRING EJECT	4	4	4	4								
	37	303J128220	3J128220	FRAME EXIT FRONT	1	1	1	1								
	38	303J128230	3J128230	FRAME EXIT REAR	1	1	1	1								
	39	3CA16230	3CA16230	FRONT SPRING,EJECT RELEASE	1	1	1	1								
	40	303CG02021	3CG02021	SUPPORT PLATE,COVER	2	2	2	2								
	41	303J102070	3J102070	MOUNT REAR SLIDER	2	2	2	2								
	42	303J102060	3J102060	MOUNT FRONT SLIDER	2	2	2	2								
	43	303J102210	3J102210	SPRING RELEASE	1	1	1	1								
	44	303J102150	3J102150	STAY RIGHT	1	1	1	1								
	45	303J104050	3J104050	COVER RIGHT	1	1	1	1								
⊙	46	303LV34020	3LV34020	LABEL JAM REMOVEDMENT A	1	1	1	1								
⊙	47	303LV34040	3LV34040	LABEL STAPLER	1	1	1	1								
	48	303J128320	3J128320	SPONGE EJECT	2	2	2	2								
	49	M2108670	M2108670	SPACER,KGPS-6RF(KITAGAWA)	1	1	1	1								
	50	303JY37400	3JY37400	DISCHARGER GUIDE UP	1	1	1	1								

- Parts with "*" are component parts or sub-assemblies of the assembly appearing immediately above them.
- Parts with "⊙" indicate regular maintenance parts.

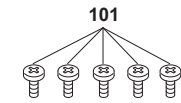
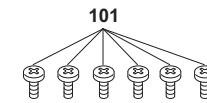
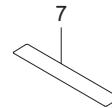
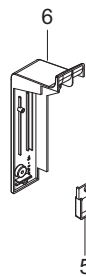
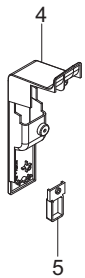
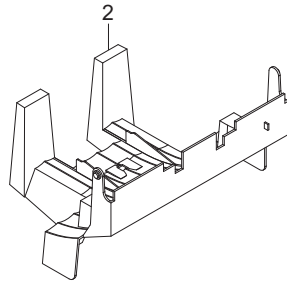
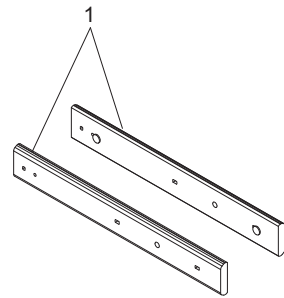


FIG. 5 Accessories

3LV-2

Ref. No.	Part.No.	Alternative.	Description	Quantity			
				110	120	230	240
1	303LV02010	3LV02010	SLIDER BF	2	2	2	2
⊙ 2	303CA04013	3CA04013	TRAY,EJECT	1	1	1	1
3	303J102130	3J102130	PLATE LOCK SADDLE	1	1	1	1
⊙ 4	303LV04010	3LV04010	COVER SADDLE F	1	1	1	1
⊙ 5	303LV04030	3LV04030	COVER V	2	2	2	2
⊙ 6	303LV04020	3LV04020	COVER SADDLE R	1	1	1	1
7	303LV34030	3LV34030	LABEL JAM REMOVAL B	1	1	1	1
⊙ 8	303J138010	3J138010	CARTRIDGE EH280	1	1	1	1

Ref. No.	Part.No.	Alternative.	Description	Quantity			
				110	120	230	240
101	7BB700408H	BB105640	+BIND T.T S SCREW 4X8 SR				
102	5MBTPB3008PW++R	B1A63080	BIND T.T SCREW(+)/ M3 X 8 CRFREE P-T				

- Parts with "*" are component parts or sub-assemblies of the assembly appearing immediately above them.
- Parts with "⊙" indicate regular maintenance parts.

Part.No.	Alternative.	Description	Fig.No.
⊙ 18307300	18307300	PULLEY 20P2M,MOTOR	2
⊙ 18307370	18307370	PULLEY 25/18P2M,PAPER FEED	3
28107310	49028101	BUSH 8	1,2,3
⊙ 28801190	48928800	PULLEY,TIMING BELT	2
⊙ 29116050	45729103	GEAR 17,PF BELT ROLLER	2
2BC06910	2BC06910	STOPPER 6	1,2,3,4
⊙ 2BG07420	2BG07420	PULLEY SEPARATOR 23 B	3
⊙ 2C906080	2C906080	GEAR 18 BYPASS	2
⊙ 2C927210	2C927210	SENSOR 248NL1	1
2FB16270	2FB16270	PIN DRAWER A	4
2FB17200	2FB17200	MAGNET UPPER REG GUIDE	4
⊙ 2FB27050	2FB27050	SWITCH FEED	2
⊙ 2FB27160	2FB27160	INTER LOCK SWITCH	2
⊙ 2FG27110	2FG27110	SWITCH REGISTRATION	2
302FB08550	2FB08550	BEARING 15/28 DRUM	3
302FG22110	2FG22110	COLLAR BYPASS BELT	3
302H002380	2H002380	SHIELD SCREW	3
⊙ 303CA04013	3CA04013	TRAY,EJECT	5
303CA08071	3CA08071	SPACER,PRESSURE ROLLER	3
⊙ 303CA27060	3CA27060	MOTOR,FEED	2
303CG02021	3CG02021	SUPPORT PLATE,COVER	4
303H321131	3H321131	SPRING EJECT	4
⊙ 303H322131	3H322131	GEAR 19 CONVEYING	1,2
303J102011	3J102011	FRAME FRONT	1
303J102021	3J102021	FRAME REAR	1
303J102031	3J102031	BASE LEFT	2
303J102041	3J102041	PLATE SIDE	4
303J102052	3J102052	STAY LOWER EJECT	2
303J102060	3J102060	MOUNT FRONT SLIDER	4
303J102070	3J102070	MOUNT REAR SLIDER	4
303J102080	3J102080	MOUNT STAPLER FRONT	4
303J102090	3J102090	MOUNT STAPLER REAR	4
303J102101	3J102101	MOUNT SADDLE PLUG	4
303J102110	3J102110	LEVER PRESSURE REAR	3
303J102120	3J102120	LEVER PRESSURE FRONT	3
303J102130	3J102130	PLATE LOCK SADDLE	5
303J102140	3J102140	SPRING SADDLE PLUG	4
303J102150	3J102150	STAY RIGHT	4
303J102160	3J102160	MOUNT PAPER EMPTY SW	2
303J102170	3J102170	STAY MIDDLE	3
303J102180	3J102180	HOOK RELEASE FRONT	3
303J102190	3J102190	HOOK RELEASE REAR	3
303J102200	3J102200	MOUNT SW TRAY	2
303J102210	3J102210	SPRING RELEASE	2,4
303J102220	3J102220	STAY REINFORCEMENT LEFT	2
303J102230	3J102230	STAY REINFORCEMENT RIGHT	2
303J104040	3J104040	COVER HANDLE SADDLE	4
303J104050	3J104050	COVER RIGHT	4
303J104060	3J104060	COVER CONNECTOR	3
303J124011	3J124011	STAY SIDE REGIST	1

Part.No.	Alternative.	Description	Fig.No.
303J124020	3J124020	CURSOR FRONT	1
303J124030	3J124030	CURSOR REAR	1
303J124040	3J124040	GUIDE REGIST	1
303J124050	3J124050	SHAFT LOWER CURSOR	1
⊙ 303J124060	3J124060	GEAR 30/26	1
303J124070	3J124070	SHAFT CONVEYING DRIVE R	1
303J124080	3J124080	SHAFT CONVEYING IDLE R	1
303J124090	3J124090	STAY CONVEYING MOTOR	1
⊙ 303J124110	3J124110	BELT CONVEYING REGIST	1
303J124140	3J124140	BLADE MID PRESSING	2
303J124150	3J124150	PLATE BLADE SUPPORT	2
303J124160	3J124160	HOLDER BLADE	2
⊙ 303J124170	3J124170	GEAR 55 BLADE PRESSURE	2
303J124180	3J124180	CAM BLADE PRESSURE	2
303J124190	3J124190	ARM BLADE PRESS F	2
303J124200	3J124200	ARM BLADE PRESS R	2
303J124210	3J124210	BUSHING BLADE	2
303J124221	3J124221	STAY SADDLE	3
303J124230	3J124230	GUIDE CONVEYING LOWER F	1
303J124240	3J124240	GUIDE CONVEYING LOWER R	1
303J124251	3J124251	STAY REGIST FW	1
⊙ 303J124280	3J124280	ROLLER EJECT	3
303J124300	3J124300	GUIDE EJECT LOWER	3
⊙ 303J124310	3J124310	BELT S2M 138	1,3
303J124340	3J124340	CURSOR FW FRONT	1
303J124350	3J124350	CURSOR FW REAR	1
⊙ 303J124370	3J124370	RACK CURSOR	1
303J124390	3J124390	SHAFT CONVEYING DRIVE L	1
⊙ 303J124430	3J124430	ROLLER SWITCHBACK	2
303J124440	3J124440	SHAFT CONVEYING IDLE	1
303J124450	3J124450	SHAFT BLADE	2
303J124460	3J124460	HOLDER CONVEYING LIFT	1
303J124471	3J124471	PLATE ADJUST	1
303J124481	3J124481	MOUNT BELT R	1
303J124490	3J124490	MOUNT BELT L	1
⊙ 303J124500	3J124500	GEAR Z26 P30	1
303J124510	3J124510	MOUNT BELT L SENSOR	1
303J124540	3J124540	SHEET STAY SADDLE UP	3
303J124550	3J124550	SHEET STAY SADDLE LOW	3
303J124561	3J124561	SHEET GUIDE REGIST	1
303J124570	3J124570	GUIDE LOWER FEED IN	2
303J124580	3J124580	GUIDE UPPER FEED IN	2
303J124591	3J124591	MOUNT SENSOR FEED IN	2
303J124600	3J124600	GUIDE MIDDLE FEED IN	2
⊙ 303J124610	3J124610	PULLEY FEED IN	2
303J124620	3J124620	MOUNT PULLEY FEED IN	2
303J124630	3J124630	HOLDER PULLEY FEED IN	2
303J124640	3J124640	SHAFT PULLEY FEED IN	2
303J124650	3J124650	MOUNT PAPER SENSOR	3
303J124660	3J124660	SHEET CURSOR FW	1

• Parts with "⊙" indicate regular maintenance parts.

	Part.No.	Alternative.	Description	Fig.No.		Part.No.	Alternative.	Description	Fig.No.
	303J124670	3J124670	SPACER BLADE	2		303J145062	3J145062	PLATE SUPPORT WIRE	3
	303J124680	3J124680	SHEET STAY SADDLE UP M	3		303J145070	3J145070	PLATE COVER WIRE	3
	303J124700	3J124700	COLLAR FEED IN	2		303J146030	3J146030	JUNCTION WIRING EJECT	2
	303J124710	3J124710	SPACER FEED IN	2	⊙	303J180012	3J180012	MAIN PWB ASS'Y WITH SOFTWARE SP	4
	303J124720	3J124720	BUSHING FEED IN	2		303JX24190	3JX24190	SPRING CONVEYING	2
⊙	303J124731	3J124731	RUBBER FEED IN	2		303JY37400	3JY37400	DISCHARGER GUIDE UP	4
	303J128140	3J128140	SHAFT EXIT RELEASE	4		303LV02010	3LV02010	SLIDER BF	5
	303J128150	3J128150	PLATE EXIT FRONT	4	⊙	303LV04010	3LV04010	COVER SADDLE F	5
	303J128160	3J128160	PLATE EXIT REAR	4	⊙	303LV04020	3LV04020	COVER SADDLE R	5
	303J128170	3J128170	SPRING EXIT HOOK	4	⊙	303LV04030	3LV04030	COVER V	5
	303J128200	3J128200	SHAFT RELEASE	3		303LV24010	3LV24010	COVER WIRE	1
	303J128220	3J128220	FRAME EXIT FRONT	4		303LV24020	3LV24020	SHEET CURSOR	1
	303J128230	3J128230	FRAME EXIT REAR	4	⊙	303LV28010	3LV28010	COVER EXIT	4
	303J128251	3J128251	SHAFT EXIT PAPER HOLDER	4		303LV28020	3LV28020	GUIDE EXIT UP	4
	303J128260	3J128260	AUXILIARY PLATE EJECT ARM	4		303LV28030	3LV28030	HANDLE EXIT	4
	303J128270	3J128270	ARM EXIT PAPER HOLDER	4		303LV28040	3LV28040	LEVER RELEASE	3
	303J128280	3J128280	PAD EJECT PAPER HOLDER	4		303LV28051	3LV28051	SPRING PRESSURE	3
	303J128290	3J128290	COVER EJECT PAPER HOLDER	4	⊙	303LV34020	3LV34020	LABEL JAM REMOVAL A	4
	303J128300	3J128300	FILM EJECT PAPER HOLDER	4		303LV34030	3LV34030	LABEL JAM REMOVAL B	5
	303J128310	3J128310	COVER EJECT ROLLER	2	⊙	303LV34040	3LV34040	LABEL STAPLER	4
	303J128320	3J128320	SPONGE EJECT	4		303LV46010	3LV46010	WIRE INTERFACE	4
	303J128330	3J128330	SHEET EJECT GUIDE S	4		303LV46020	3LV46020	JUNCTION WIRING TRAY	1
	303J128340	3J128340	SHEET EJECT GUIDE L	4		303LV46030	3LV46030	WIRE REAR REGISTRATION MOTOR	1
	303J131020	3J131020	HOLDER BLADE DRIVE	3		303LV46040	3LV46040	WIRE REAR	4
	303J131030	3J131030	PIN BLADE DRIVE M3	2		303LV46050	3LV46050	WIRE MOTOR	4
	303J131040	3J131040	SHAFT BLADE DRIVE L	2		303LV46060	3LV46060	WIRE SENSOR	4
	303J131050	3J131050	SHAFT BLADE DRIVE S	3		303LV46070	3LV46070	JUNCTION WIRING TRAY SENSOR	2
⊙	303J131130	3J131130	BELT S2M 400	2		303LV46080	3LV46080	JUNCTION WIRING HP SENSOR	1
	303J131140	3J131140	COVER JOINT	2		303LV46090	3LV46090	JUNCTION WIRING REAR REGISTRATION	1
	303J131160	3J131160	HOLDER ROLLER DR	3		303LV46100	3LV46100	JUNCTION WIRING CARRY SENSOR	2
	303J131170	3J131170	SHAFT ROLLER DR1	3		303LV46110	3LV46110	JUNCTION WIRING PAPER SENSOR	3
	303J131230	3J131230	SHAFT HANDLE	2	⊙	303LV94010	3LV94010	PARTS ROLLER PRESS A	3
	303J131240	3J131240	HOLDER ROLLER SW B	2	⊙	303LV94020	3LV94020	PARTS ROLLER PRESS B	3
	303J131270	3J131270	BELT S2M 230	3		33414050	33414050	GEAR 22,SLEEVE	3
⊙	303J131280	3J131280	GEAR 43/16	3		34922440	34922440	COLLAR,DRIVE	1,3
⊙	303J131300	3J131300	GEAR Z76 P21	2		36906150	36906150	GEAR 22/40,FEED	3
⊙	303J131310	3J131310	GEAR 54/23	3		3AK07230	3AK07230	PULLEY 20S3M	1
⊙	303J131320	3J131320	GEAR Z22 P42	2		3AP02040	3AP02040	PULLEY 30,DUPLEX	1
	303J131331	3J131331	HANDLE SADDLE	2		3B805070	3B805070	LABEL B	4
	303J131340	3J131340	MOUNT BLADE PI	1	⊙	3B805080	3B805080	LABEL C	4
⊙	303J131350	3J131350	PULLEY 15	2		3B807640	3B807640	PAD,CURSOR	1,2
⊙	303J131360	3J131360	BELT S3M 171	2		3CA08060	3CA08060	JUNCTION PLATE,PRESSURE ROLLER	3
⊙	303J131370	3J131370	GEAR 53	3		3CA16041	3CA16041	BELT,CONVEYING POSITIONING	1
⊙	303J131380	3J131380	PULLEY 24	3		3CA16060	3CA16060	SHAFT,CONVEYING PULLEY	4
	303J134040	3J134040	LABEL D9	2	⊙	3CA16210	3CA16210	BRUSH,PAPER EJECT REGISTRATION	3
	303J134050	3J134050	LABEL D10	1		3CA16220	3CA16220	HOLDER,PAPER EJECT REGISTRATION BRUSH	3
⊙	303J138010	3J138010	CARTRIDGE EH280	5		3CA16230	3CA16230	FRONT SPRING,EJECT RELEASE	4
⊙	303J144010	3J144010	STAPLER EH280	4		3CA16260	3CA16260	SPRING,ARM FULCRUM	4
⊙	303J144020	3J144020	MOTOR CONVEYING	2		3CA22020	3CA22020	GEAR 40/1.5,PRESSURE ROLLER	3
⊙	303J145010	3J145010	SENSOR TRAY	2	⊙	3CA22030	3CA22030	GEAR 16/2.5,PRESSURE ROLLER	3

• Parts with "⊙" indicate regular maintenance parts.

	Part.No.	Alternative.	Description	Fig.No.
	3CY07080	3CY07080	BUSHING 6	1,2,3
⊙	3H327400	3H327400	MOTOR,CONVEYING	1
⊙	3H327410	3H327410	SENSOR,CONVEYING	1
⊙	3H427050	3H427050	SENSOR TANK	3
⊙	3H622320	3H622320	GEAR 20 LIFT	2
⊙	3HW22020	3HW22020	GEAR 25	2
	5MVX111DN003	2A806250	RING STOPPER /A-49 FEED A4	1,2,3
	5MVX111DN007	2BT11070	STOPPER 3 /2BT1107 A4	2
⊙	62221110	62221110	PULLEY,FEEDBACK	4
⊙	66321290	66321290	PULLEY,EJECT	2
⊙	74714130	74714130	GEAR 23 SPIRAL ROLLER	3
⊙	78722151	78722151	PULLEY 20	1
	7YZM110001++H01	YZ009420	ACCESS.BUSHING	1,2
	7YZM110003++H01	YZ034780	ACCESS,BUSHING	1,4
	7YZM610001++H01	YZ010230	ACCESS SADDLE	1,2,4
	7YZM610002++H01	YZ010240	ACCESS SADDLE	4
	7YZM610003++H01	YZ010250	ACCESS SADDLE	1,4
	7YZM610007++H01	YZ023340	ACCESS.SADDLE	2
	M2104200	M2104200	EDGING EDS-1	1
	M2104350	M2104350	EDGING,EDS-0607M(KITAGAWA)	1,2,3
	M2108670	M2108670	SPACER,KGPS-6RF(KITAGAWA)	4
	M21AH010	M21AH010	BAND,RSG-130-V0(KITAGAWA)	1,2,3,4
	M70AK010	M70AK010	WIRE SADDLE,RMS-1V0(TAKEUCHI)	2

• Parts with "⊙" indicate regular maintenance parts.

MT-720/MT-720(B)

— CONTENTS —

FIG. 1	Covers.....	2
FIG. 2	Paper Conveying Section 1.....	4
FIG. 3	Paper Conveying Section 2.....	6
FIG. 4	Accessories.....	8
	• INDEX	10

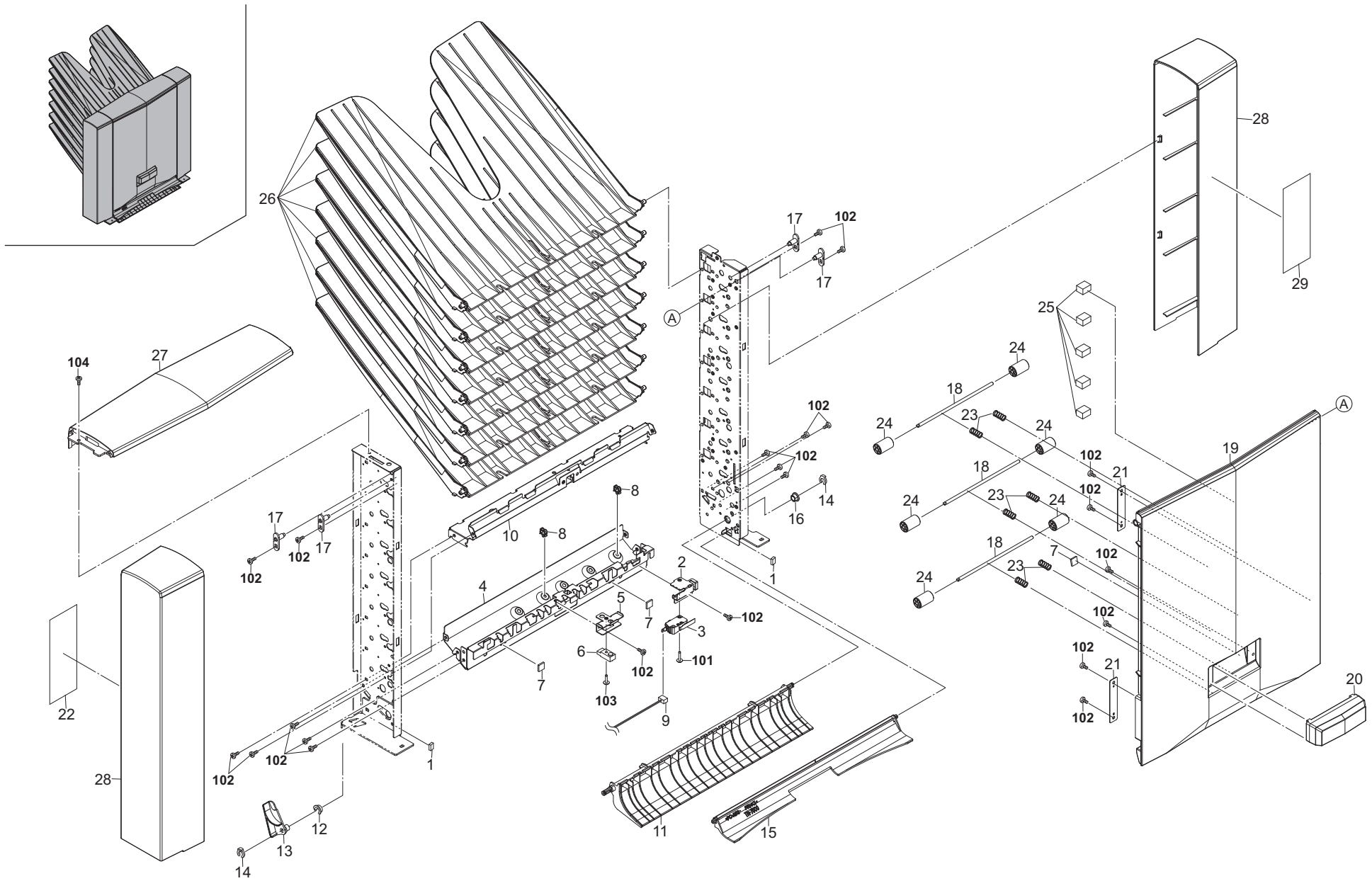


FIG. 1 Covers

3LW-2

	Ref. No.	Part.No.	Alternative.	Description	Quantity				Ref. No.	Part.No.	Alternative.	Description	Quantity			
					110	120	230	240					110	120	230	240
	1	303JY28280	3JY28280	CUSHION EJECT GUIDE B	2	2	2	2	101	7BB600320H	BB105740	+BIND M SCREW 3X20 R				
⊙	2	303LW24110	3LW24110	MOUNT INTER ROCK	1	1	1	1	102	7BB700308H	BB105600	+BIND T.T S SCREW 3X8 SR				
	3	2FB27160	2FB27160	INTER LOCK SWITCH	1	1	1	1	103	7BB607312H	BB107140	+TP-CUP M SCREW 3X12 R				
	4	303LW24030	3LW24030	STAY EJECT DF	1	1	1	1	104	7BB702308H	BB107060	+TP-FLAT T.T S SCREW 3X8 SR				
	5	303LW24100	3LW24100	MOUNT SENSOR EJECT	1	1	1	1								
⊙	6	303H327460	3H327460	SENSOR A,SEPARATION	1	1	1	1								
	7	303H321120	3H321120	CUSHION HOLDER	3	3	3	3								
	8	7YZM610007++H01	YZ023340	ACCESS.SADDLE	2	2	2	2								
	9	303LW46040	3LW46040	WIRE MIDDLE	1	1	1	1								
	10	303LW24040	3LW24040	STAY EJECT	1	1	1	1								
	11	303LW24020	3LW24020	LOWER GUIDE FEED IN	1	1	1	1								
	12	303LW02130	3LW02130	BUSH LEVER	1	1	1	1								
	13	303LW24550	3LW24550	LEVER SEPARATE CLAW B	1	1	1	1								
	14	5MVX111DN003	2A806250	RING STOPPER /A-49 FEED A4	2	2	2	2								
	15	303LW24141	3LW24141	UPPER GUIDE ADMISSION	1	1	1	1								
	16	302H702590	2H702590	BUSH SCREW	1	1	1	1								
	17	303J902291	3J902291	PIN TABLE FULCRUM	4	4	4	4								
	18	303LW24190	3LW24190	SHAFT FEED PULLEY	3	3	3	3								
⊙	19	303LW04030	3LW04030	COVER VERTICAL	1	1	1	1								
⊙	20	303LW04070	3LW04070	LEVER VERTICAL COVER	1	1	1	1								
	21	5MMS626SD003	2BM04100	PLATE MAGCHATCH	2	2	2	2								
⊙	22	303LW34030	3LW34030	LABEL PAPER CAUTION	1	1	1	1								
	23	2FG06070	2FG06070	SPRING FEED JOINT	6	6	6	6								
⊙	24	302H008220	2H008220	PULLEY 15 MPF FEED	6	6	6	6								
	25	303J128320	3J128320	SPONGE EJECT	5	5	5	5								
⊙	26	303J204070	3J204070	BIN EJECT S	7	7	7	7								
⊙	27	303LW04020	3LW04020	COVER TOP	1	1	1	1								
⊙	28	303LW04010	3LW04010	COVER SIDE	2	2	2	2								
⊙	29	303LW34020	3LW34020	LABEL JAM	1	1	1	1								

- Parts with "*" are component parts or sub-assemblies of the assembly appearing immediately above them.
- Parts with "⊙" indicate regular maintenance parts.

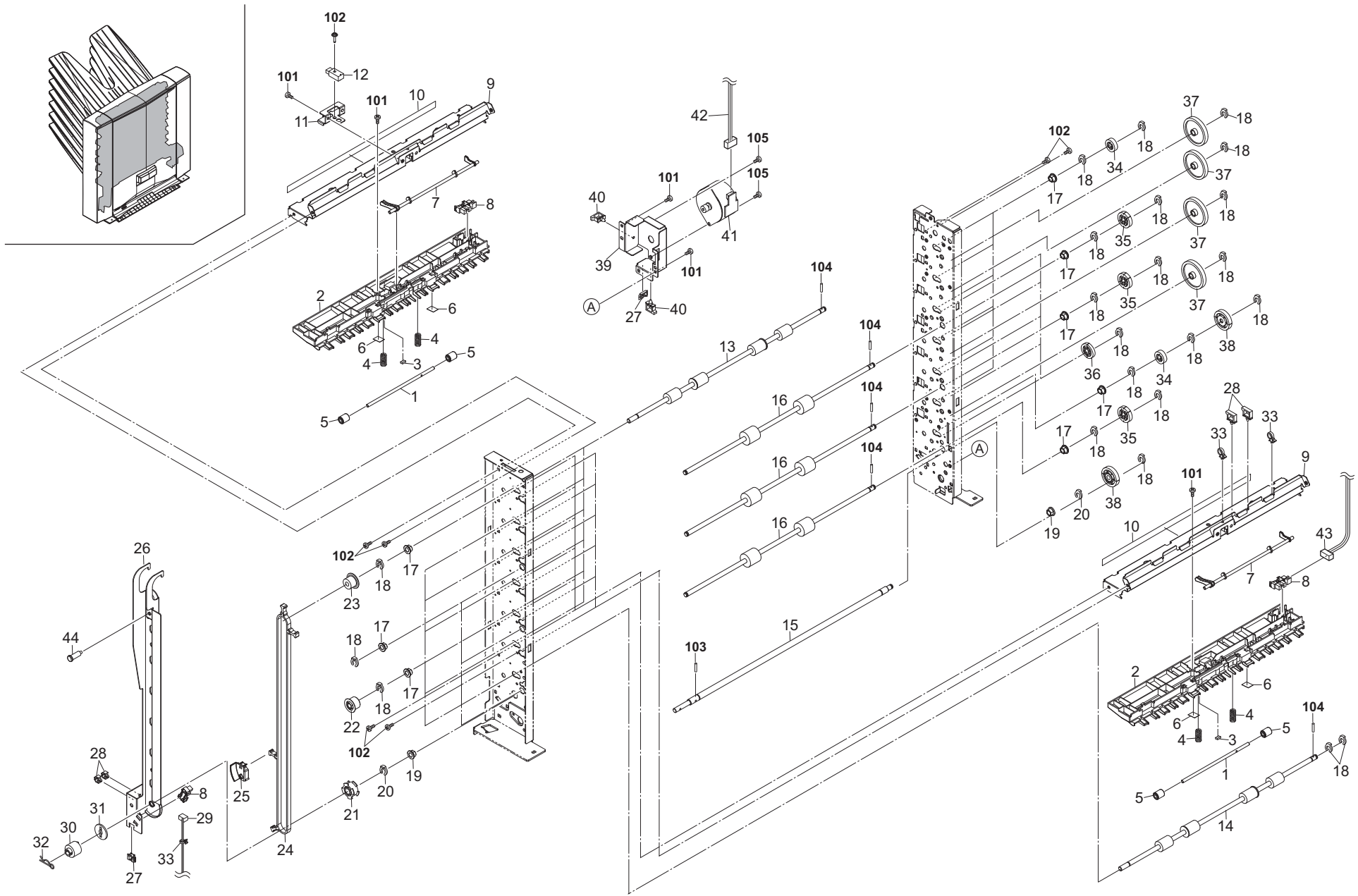


FIG. 2 Paper Conveying Section 1

3LW-2

Ref. No.	Part.No.	Alternative.	Description	Quantity			
				110	120	230	240
1	303JY38180	3JY38180	SHAFT PULLEY SC	7	7	7	7
2	303LW24050	3LW24050	UPPER GUIDE EJECT	7	7	7	7
3	303JY28280	3JY28280	CUSHION EJECT GUIDE B	7	7	7	7
4	303LW24160	3LW24160	SPRING EXIT	14	14	14	14
⊙	5	303LW24060	PULLEY EJECT	14	14	14	14
6	303LW24170	3LW24170	FILM EJECT	14	14	14	14
7	303LW24070	3LW24070	ACTUATOR OVERFLOW	7	7	7	7
⊙	8	2C927210	SENSOR 248NL1	8	8	8	8
9	303LW24040	3LW24040	STAY EJECT	7	7	7	7
⊙	10	63212210	STATIC ELIMINATOR,EJECT	7	7	7	7
11	303LW24100	3LW24100	MOUNT SENSOR EJECT	1	1	1	1
⊙	12	303H327470	SENSOR B SEPARATION	1	1	1	1
⊙	13	303LW94020	PARTS ROLLER EJECT A	6	6	6	6
⊙	14	303LW94030	PARTS ROLLER EJECT C	1	1	1	1
15	303LW24520	3LW24520	SHAFT SEPARATE DRIVE	1	1	1	1
⊙	16	303LW94010	PARTS ROLLER CONVEYING	3	3	3	3
17	3CY07080	3CY07080	BUSHING 6	20	20	20	20
18	5MVX111DN003	2A806250	RING STOPPER /A-49 FEED A4	42	42	42	42
19	28107310	49028101	BUSH 8	2	2	2	2
20	2BC06910	2BC06910	STOPPER 6	2	2	2	2
⊙	21	3AK07230	PULLEY 20S3M	1	1	1	1
⊙	22	3BC08101	PULLEY,REGISTRATION	6	6	6	6
⊙	23	75722252	IDLE PULLEY 15	1	1	1	1
⊙	24	3B807380	LOWER BELT,MIDDLE TRAY	1	1	1	1
25	303LW24530	3LW24530	SUPPORTPLATE BELT	1	1	1	1
26	303LW24540	3LW24540	MOUNT SEPARATE PI	1	1	1	1
27	7YZM210006++H01	YZ038000	ACCESS.EDGING	2	2	2	2
28	7YZM610007++H01	YZ023340	ACCESS SADDLE	4	4	4	4
29	303LW46050	3LW46050	WIRE HP SENSOR	1	1	1	1
⊙	30	36706900	TORQUE LIMITER,PAPER FEED	1	1	1	1
31	3CG22030	3CG22030	JOINT,TORQUE LIMITER	1	1	1	1
32	E9000080	E9000080	PIN SNAP P8	1	1	1	1
33	M21AH010	M21AH010	BAND,RSG-130-V0(KITAGAWA)	3	3	3	3
⊙	34	3H622320	GEAR 20 LIFT	7	7	7	7
⊙	35	66018180	GEAR 26,SPIRAL ROLLER	3	3	3	3
⊙	36	2BL06190	GEAR Z25 FEED	5	5	5	5
⊙	37	302F909540	GEAR Z49	4	4	4	4
⊙	38	3HK22040	GR 33 CONV	2	2	2	2
39	303LW31010	3LW31010	MOUNT MOTOR	1	1	1	1
40	7YZM610008++H01	YZ037940	ACCESS.SADDLE	2	2	2	2
⊙	41	2FB27110	MOTOR FEED	1	1	1	1
42	303LW46030	3LW46030	WIRE MOTOR	1	1	1	1
43	303LW46070	3LW46070	WIRE SENSOR	1	1	1	1
44	3036006141	36006141	PIN,JAM REMOVED DIAL	1	1	1	1

Ref. No.	Part.No.	Alternative.	Description	Quantity			
				110	120	230	240
101	7BB700308H	BB105600	+BIND T.T S SCREW 3X8 SR				
102	7BB607312H	BB107140	+TP-CUP M SCREW 3X12 R				
103	5MBP2012WPLD	E5120120	PARALLEL PIN / M2 X 12 SUS-DP				
104	5MBP2010WXSP	E0020100	SPRING PIN / M2 X 10 S-BLK				
105	7BB702306H	BB105630	+TP-FLAT T.T S SCREW 3X6 SR				

- Parts with "*" are component parts or sub-assemblies of the assembly appearing immediately above them.
- Parts with "⊙" indicate regular maintenance parts.

FIG. 3 Paper Conveying Section 2

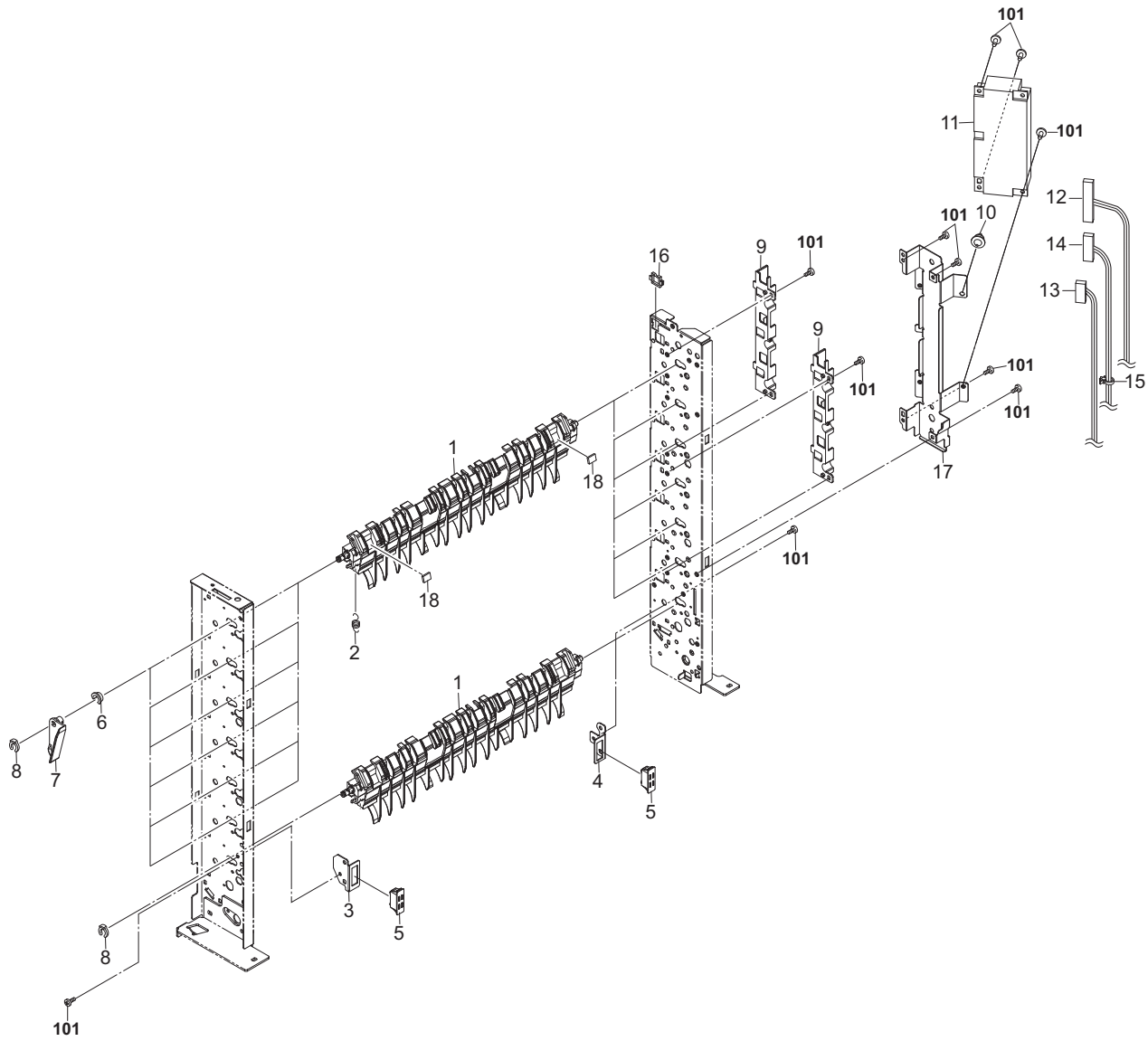
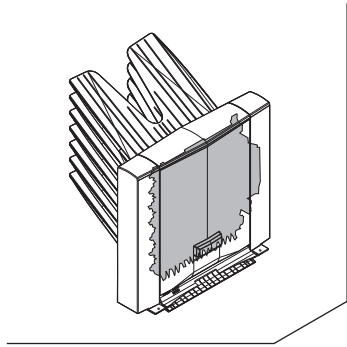


FIG. 3 Paper Conveying Section 2

3LW-2

Ref. No.	Part.No.	Alternative.	Description	Quantity				Ref. No.	Part.No.	Alternative.	Description	Quantity			
				110	120	230	240					110	120	230	240
1	303LW24010	3LW24010	GUIDE CONVEYING	7	7	7	7	101	7BB700308H	BB105600	+BIND T.T S SCREW 3X8 SR				
2	303LW24180	3LW24180	SPRING PULL GUIDE	6	6	6	6								
3	303LW02070	3LW02070	MOUNT MAGNET FRONT	1	1	1	1								
4	303LW02080	3LW02080	MOUNT MAGNET REAR	1	1	1	1								
5	2FB17200	2FB17200	MAGNET UPPER REG GUIDE	2	2	2	2								
6	303LW02130	3LW02130	BUSH LEVER	6	6	6	6								
7	303LW24510	3LW24510	LEVER SEPARATE CLAW	6	6	6	6								
8	5MVX111DN003	2A806250	RING STOPPER /A-49 FEED A4	7	7	7	7								
9	303LW02110	3LW02110	GUIDE WIRE	2	2	2	2								
10	M2108000	49628603	SPACER,KGLS-3S	1	1	1	1								
⊙ 11	303LW94040	3LW94040	PARTS MAIN PWB ASSY SP	1	1	1	1								
12	303LW46010	3LW46010	WIRE MAIN	1	1	1	1								
13	303LW46060	3LW46060	WIRE INTERROCK SW	1	1	1	1								
14	303LW46020	3LW46020	WIRE INTERFACE	1	1	1	1								
15	M21AH010	M21AH010	BAND,RSG-130-V0(KITAGAWA)	1	1	1	1								
16	7YZM210006++H01	YZ038000	ACCESS.EDGING	1	1	1	1								
17	303LW02030	3LW02030	PLATE PWB	1	1	1	1								
18	303JY24AB0	3JY24AB0	CUSHION C ON	12	12	12	12								

- Parts with "*" are component parts or sub-assemblies of the assembly appearing immediately above them.
- Parts with "⊙" indicate regular maintenance parts.

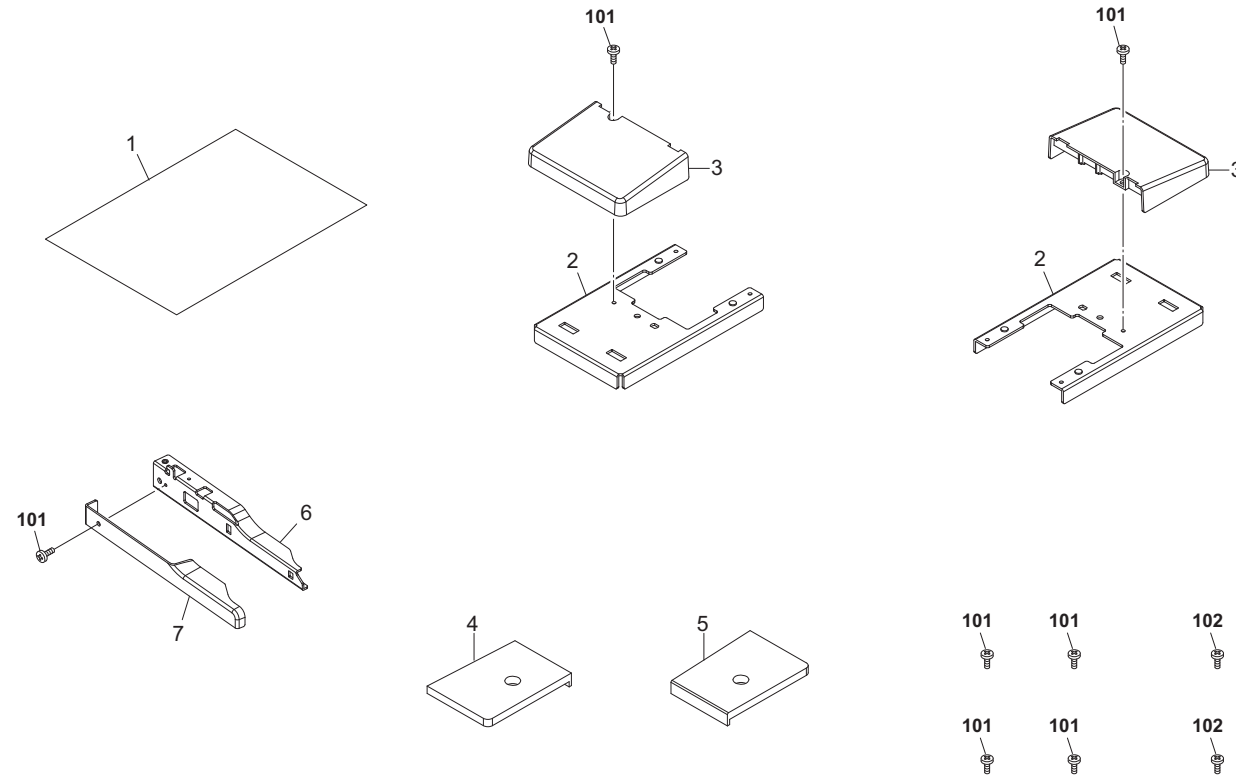


FIG. 4 Accessories

3LW-2

	Ref. No.	Part.No.	Alternative.	Description	Quantity			
					110	120	230	240
⊙	1	303J234010	3J234010	LABEL BIN	1	1	1	1
	2	303LT03100	3LT03100	PLATE FOOT S	2	2	2	2
⊙	3	303LT03110	3LT03110	COVER FOOT S	2	2	2	2
⊙	4	303LW04050	3LW04050	COVER MOUNT	1	1	1	1
⊙	5	303LW04060	3LW04060	COVER MOUNT REAR	1	1	1	1
	6	303LW02140	3LW02140	PLATE FOOT (MT-720(B))	1	1	1	1
	7	303LW02150	3LW02150	COVER FOOT (MT-720(B))	1	1	1	1

	Ref. No.	Part.No.	Alternative.	Description	Quantity			
					110	120	230	240
	101	7BB700410H	BB107090	+BIND T.T S SCREW 4X10 SR				
	102	7BB782414H	BB111230	+TP-FLAT T.T S SCREW 4X14 SR(BLACK)				

- Parts with "•" are component parts or sub-assemblies of the assembly appearing immediately above them.
- Parts with "⊙" indicate regular maintenance parts.

Part.No.	Alternative.	Description	Fig.No.
28107310	49028101	BUSH 8	2
2BC06910	2BC06910	STOPPER 6	2
⊙ 2BL06190	2BL06190	GEAR Z25 FEED	2
⊙ 2C927210	2C927210	SENSOR 248NL1	2
2FB17200	2FB17200	MAGNET UPPER REG GUIDE	3
⊙ 2FB27110	2FB27110	MOTOR FEED	2
⊙ 2FB27160	2FB27160	INTER LOCK SWITCH	1
2FG06070	2FG06070	SPRING FEED JOINT	1
⊙ 302F909540	2F909540	GEAR Z49	2
⊙ 302H008220	2H008220	PULLEY 15 MPF FEED	1
302H702590	2H702590	BUSH SCREW	1
3036006141	36006141	PIN,JAM REMOVAL DIAL	2
303H321120	3H321120	CUSHION HOLDER	1
⊙ 303H327460	3H327460	SENSOR A,SEPARATION	1
⊙ 303H327470	3H327470	SENSOR B SEPARATION	2
303J128320	3J128320	SPONGE EJECT	1
⊙ 303J204070	3J204070	BIN EJECT S	1
⊙ 303J234010	3J234010	LABEL BIN	4
303J902291	3J902291	PIN TABLE FULCRUM	1
303JY24AB0	3JY24AB0	CUSHION C ON	3
303JY28280	3JY28280	CUSHION EJECT GUIDE B	1,2
303JY38180	3JY38180	SHAFT PULLEY SC	2
303LT03100	3LT03100	PLATE FOOT S	4
⊙ 303LT03110	3LT03110	COVER FOOT S	4
303LW02030	3LW02030	PLATE PWB	3
303LW02070	3LW02070	MOUNT MAGNET FRONT	3
303LW02080	3LW02080	MOUNT MAGNET REAR	3
303LW02110	3LW02110	GUIDE WIRE	3
303LW02130	3LW02130	BUSH LEVER	1,3
303LW02140	3LW02140	PLATE FOOT	4
303LW02150	3LW02150	COVER FOOT	4
⊙ 303LW04010	3LW04010	COVER SIDE	1
⊙ 303LW04020	3LW04020	COVER TOP	1
⊙ 303LW04030	3LW04030	COVER VERTICAL	1
⊙ 303LW04050	3LW04050	COVER MOUNT	4
⊙ 303LW04060	3LW04060	COVER MOUNT REAR	4
⊙ 303LW04070	3LW04070	LEVER VERTICAL COVER	1
303LW24010	3LW24010	GUIDE CONVEYING	3
303LW24020	3LW24020	LOWER GUIDE FEED IN	1
303LW24030	3LW24030	STAY EJECT DF	1
303LW24040	3LW24040	STAY EJECT	1,2
303LW24050	3LW24050	UPPER GUIDE EJECT	2
⊙ 303LW24060	3LW24060	PULLEY EJECT	2
303LW24070	3LW24070	ACTUATOR OVERFLOW	2
303LW24100	3LW24100	MOUNT SENSOR EJECT	1,2
303LW24110	3LW24110	MOUNT INTER ROCK	1
303LW24141	3LW24141	UPPER GUIDE ADMISSION	1
303LW24160	3LW24160	SPRING EXIT	2
303LW24170	3LW24170	FILM EJECT	2
303LW24180	3LW24180	SPRING PULL GUIDE	3

Part.No.	Alternative.	Description	Fig.No.
303LW24190	3LW24190	SHAFT FEED PULLEY	1
303LW24510	3LW24510	LEVER SEPARATE CLAW	3
303LW24520	3LW24520	SHAFT SEPARATE DRIVE	2
303LW24530	3LW24530	SUPPORTPLATE BELT	2
303LW24540	3LW24540	MOUNT SEPARATE PI	2
303LW24550	3LW24550	LEVER SEPARATE CLAW B	1
303LW31010	3LW31010	MOUNT MOTOR	2
⊙ 303LW34020	3LW34020	LABEL JAM	1
⊙ 303LW34030	3LW34030	LABEL PAPER CAUTION	1
303LW46010	3LW46010	WIRE MAIN	3
303LW46020	3LW46020	WIRE INTERFACE	3
303LW46030	3LW46030	WIRE MOTOR	2
303LW46040	3LW46040	WIRE MIDDLE	1
303LW46050	3LW46050	WIRE HP SENSOR	2
303LW46060	3LW46060	WIRE INTERLOCK SW	3
303LW46070	3LW46070	WIRE SENSOR	2
⊙ 303LW94010	3LW94010	PARTS ROLLER CONVEYING	2
⊙ 303LW94020	3LW94020	PARTS ROLLER EJECT A	2
⊙ 303LW94030	3LW94030	PARTS ROLLER EJECT C	2
⊙ 303LW94040	3LW94040	PARTS MAIN PWB ASSY SP	3
⊙ 36706900	36706900	TORQUE LIMITER,PAPER FEED	2
⊙ 3AK07230	3AK07230	PULLEY 20S3M	2
⊙ 3B807380	3B807380	LOWER BELT,MIDDLE TRAY	2
⊙ 3BC08101	3BC08101	PULLEY,REGISTRATION	2
3CG22030	3CG22030	JOINT,TORQUE LIMITER	2
3CY07080	3CY07080	BUSHING 6	2
⊙ 3H622320	3H622320	GEAR 20 LIFT	2
⊙ 3HK22040	3HK22040	GR 33 CONV	2
5MMS626SD003	2BM04100	PLATE MAGCHATCH	1
5MVX111DN003	2A806250	RING STOPPER /A-49 FEED A4	1,2,3
⊙ 63212210	63212210	STATIC ELIMINATOR,EJECT	2
⊙ 66018180	66018180	GEAR 26,SPIRAL ROLLER	2
⊙ 75722252	75722252	IDLE PULLEY 15	2
7YZM210006++H01	YZ038000	ACCESS.EDGING	2,3
7YZM610007++H01	YZ023340	ACCESS.SADDLE	1,2
7YZM610008++H01	YZ037940	ACCESS.SADDLE	2
E9000080	E9000080	PIN SNAP P8	2
M2108000	49628603	SPACER,KGLS-3S	3
M21AH010	M21AH010	BAND,RSG-130-V0(KITAGAWA)	2,3

• Parts with "⊙" indicate regular maintenance parts.

PH-5A/5C/5D

—— CONTENTS ——

FIG. 1	PH-5A	2
FIG. 2	PH-5C	4
FIG. 3	PH-5D	6

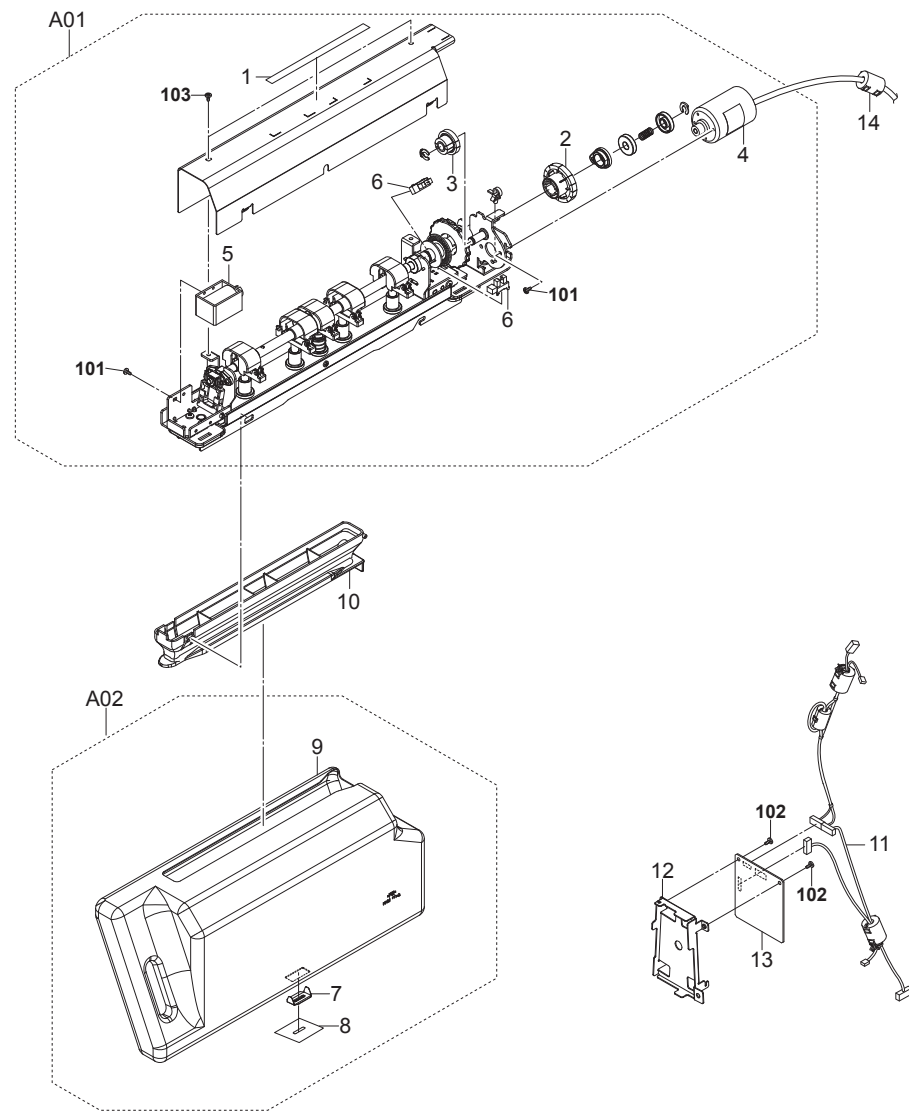


FIG. 1 PH-5A

3KA-4

	Ref. No.	Part.No.	Alternative.	Description	Quantity			
					110	120	230	240
⊙	A01	303KA93010	3KA93010	PARTS PUNCH ASS'Y(I)			1	
⊙	1	*20305130	20305130	LABEL L,HIGH TEMPERATURE CAUTION(E			1	
⊙	2	*3H416110	3H416110	GEAR 40 CAM DRIVE			1	
⊙	3	*3H416120	3H416120	GEAR 16-51 IDLE			1	
⊙	4	*3H427010	3H427010	MOTOR PUNCH			1	
⊙	5	*3H427060	3H427060	SOLENOID PUNCH			1	
⊙	6	*5FNXGP1A73A++02	2DC27180	PT.SENSOR GP1A73AJ00/ BK			2	
⊙	A02	303KA94010	3KA94010	PARTS,PUNCH DISPOSAL TANK ASS'Y SP			1	
⊙	7	*303H402040	3H402040	GROUND PLATE TANK			1	
⊙	8	*303H402050	3H402050	FILM GROUND PLATE			1	
⊙	9	*303KA35010	3KA35010	DISPOSAL TANK PUNCH			1	
	10	303KA35020	3KA35020	GUIDE DISPOSAL TANK			1	
	11	303KA46010	3KA46010	WIRE PUNCH			1	
	12	3H426010	3H426010	MOUNT PCB			1	
⊙	13	3H401010	3H401010	PUNCH PCB ASS'Y			1	
	14	M70C0010	M70C0010	FERRITE CORE,SFT-59SN(TAKEUCHI)			1	
	15	303KA34010	3KA34010	LABEL PUNCH			1	

	Ref. No.	Part.No.	Alternative.	Description	Quantity			
					110	120	230	240
	101	B4B03050	B4B03050	+TP-A SCREW M3X05(TRIVALENT CHROM				
	102	5MBTPB3006TW++R	B1A53060	BIND T.T SCREW(+)/ M3 X 6 CRFREE S-T				
	103	B1A54080	B1A54080	+BIND TAP-TITE S SCREW M4X08				
	104	5MBTPB4010TW++R	B1A54100	BIND T.T SCREW(+)/ M4 X 10 CRFREE S-T				

- Parts with "*" are component parts or sub-assemblies of the assembly appearing immediately above them.
- Parts with "⊙" indicate regular maintenance parts.

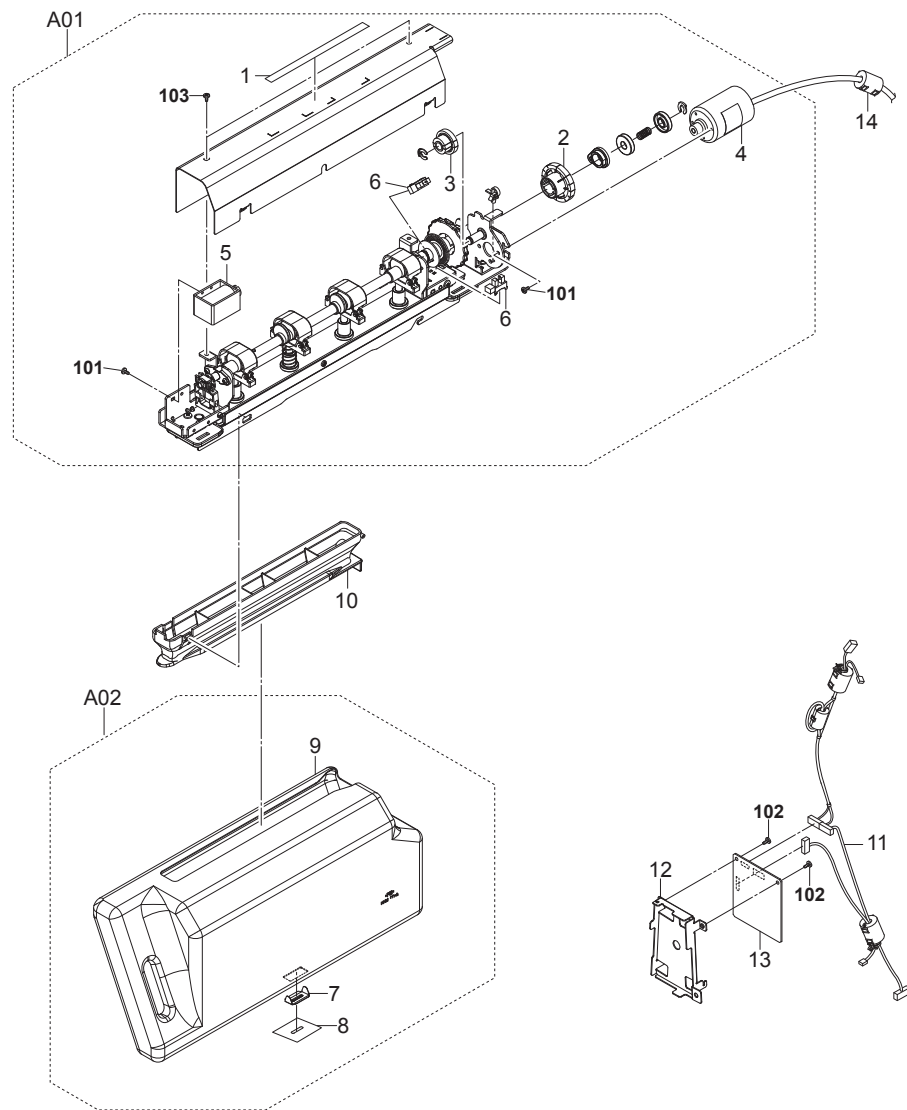


FIG. 2 PH-5C

3KA-4

Ref. No.	Part.No.	Alternative.	Description	Quantity			
				110	120	230	240
⊙ A01	303H493020	3H493020	PARTS PUNCH ASS'Y(M)	1	1	1	
⊙ 1	*20305130	20305130	LABEL L,HIGH TEMPERATURE CAUTION(E	1	1	1	
⊙ 2	*3H416110	3H416110	GEAR 40 CAM DRIVE	1	1	1	
⊙ 3	*3H416120	3H416120	GEAR 16-51 IDLE	1	1	1	
⊙ 4	*3H427010	3H427010	MOTOR PUNCH	1	1	1	
⊙ 5	*3H427060	3H427060	SOLENOID PUNCH	1	1	1	
⊙ 6	*5FNXGP1A73A++02	2DC27180	PT.SENSOR GP1A73AJ00/ BK	2	2	2	
⊙ A02	303KA94010	3KA94010	PARTS,PUNCH DISPOSAL TANK ASS'Y SP	1	1	1	
⊙ 7	*303H402040	3H402040	GROUND PLATE TANK	1	1	1	
⊙ 8	*303H402050	3H402050	FILM GROUND PLATE	1	1	1	
⊙ 9	*303KA35010	3KA35010	DISPOSAL TANK PUNCH	1	1	1	
10	303KA35020	3KA35020	GUIDE DISPOSAL TANK	1	1	1	
11	303KA46010	3KA46010	WIRE PUNCH	1	1	1	
12	3H426010	3H426010	MOUNT PCB	1	1	1	
⊙ 13	3H401010	3H401010	PUNCH PCB ASS'Y	1	1	1	
14	M70C0010	M70C0010	FERRITE CORE,SFT-59SN(TAKEUCHI)	1	1	1	
15	303KA34010	3KA34010	LABEL PUNCH	1	1	1	

Ref. No.	Part.No.	Alternative.	Description	Quantity			
				110	120	230	240
101	B4B03050	B4B03050	+TP-A SCREW M3X05(TRIVALENT CHROM				
102	5MBTPB3006TW++R	B1A53060	BIND T.T SCREW(+)/ M3 X 6 CRFREE S-T				
103	B1A54080	B1A54080	+BIND TAP-TITE S SCREW M4X08				
104	5MBTPB4010TW++R	B1A54100	BIND T.T SCREW(+)/ M4 X 10 CRFREE S-T				

- Parts with "*" are component parts or sub-assemblies of the assembly appearing immediately above them.
- Parts with "⊙" indicate regular maintenance parts.

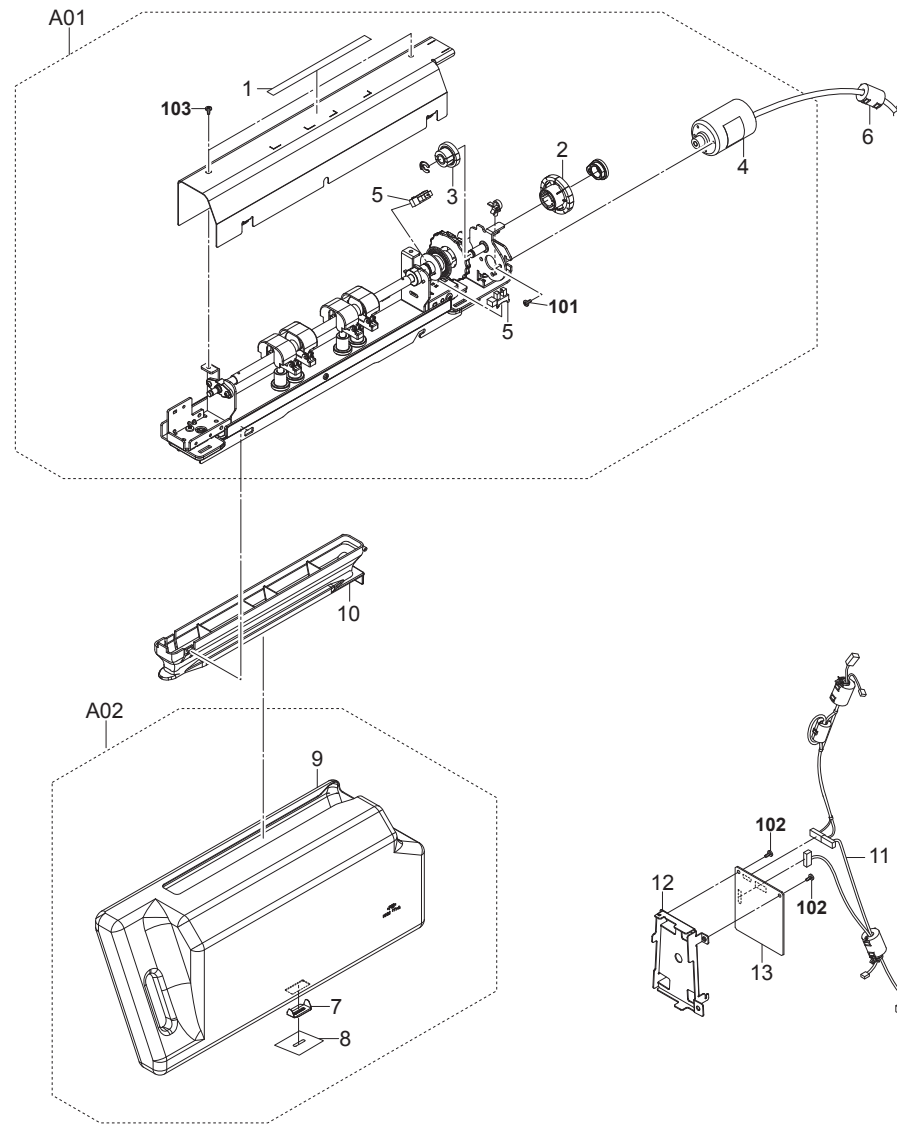


FIG. 3 PH-5D

3KA-4

Ref. No.	Part.No.	Alternative.	Description	Quantity			
				110	120	230	240
⊙ A01	303H493040	3H493040	PARTS PUNCH ASS'Y(SW)				1
⊙ 1	*20305130	20305130	LABEL L,HIGH TEMPERATURE CAUTION(E				1
⊙ 2	*3H416110	3H416110	GEAR 40 CAM DRIVE				1
⊙ 3	*3H416120	3H416120	GEAR 16-51 IDLE				1
⊙ 4	*3H427010	3H427010	MOTOR PUNCH				1
⊙ 5	*5FNXGP1A73A++02	2DC27180	PT.SENSOR GP1A73AJ00/ BK				2
6	M70C0010	M70C0010	FERRITE CORE,SFT-59SN(TAKEUCHI)				1
⊙ A02	303KA94010	3KA94010	PARTS,PUNCH DISPOSAL TANK ASS'Y SP				1
⊙ 7	*303H402040	3H402040	GROUND PLATE TANK				1
⊙ 8	*303H402050	3H402050	FILM GROUND PLATE				1
⊙ 9	*303KA35010	3KA35010	DISPOSAL TANK PUNCH				1
10	303KA35020	3KA35020	GUIDE DISPOSAL TANK				1
11	303KA46010	3KA46010	WIRE PUNCH				1
12	3H426010	3H426010	MOUNT PCB				1
⊙ 13	3H401010	3H401010	PUNCH PCB ASS'Y				1
14	303KA34010	3KA34010	LABEL PUNCH				1

Ref. No.	Part.No.	Alternative.	Description	Quantity			
				110	120	230	240
101	B4B03050	B4B03050	+TP-A SCREW M3X05(TRIVALENT CHROM				
102	5MBTPB3006TW++R	B1A53060	BIND T.T SCREW(+)/ M3 X 6 CRFREE S-T				
103	B1A54080	B1A54080	+BIND TAP-TITE S SCREW M4X08				
104	5MBTPB4010TW++R	B1A54100	BIND T.T SCREW(+)/ M4 X 10 CRFREE S-T				

- Parts with "*" are component parts or sub-assemblies of the assembly appearing immediately above them.
- Parts with "⊙" indicate regular maintenance parts.

KYOCERA MITA EUROPE B.V.

Hoeksteen 40, 2132 MS Hoofddorp,
The Netherlands
Phone: +31.20.654.0000
Home page: <http://www.kyoceramita-europe.com>
Email: info@kyoceramita-europe.com

KYOCERA MITA NEDERLAND B.V.
Beechavenue 25, 1119RA Schiphol-Rijk
The Netherlands
Phone: +31.20.58.77.200

KYOCERA MITA (UK) LTD
8 Beacontree Plaza
Gillette Way Reading Berks RG2 0BS,
U.K.
Phone: +44.1189.311.500

KYOCERA MITA ITALIA S.p.A.
Via G. Verdi, 89 / 91, 20063 Cernusco s/N
Milano, Italy
Phone: +39.02.92179.1

S.A. KYOCERA MITA BELGIUM N.V.
Hermestraat 8A, 1930 Zaventem,
Belgium
Phone: +32.2.720.9270

KYOCERA MITA FRANCE S.A.
Parc Les Algorithmes Saint Aubin
91194 GIF-SUR-YVETTE,
France
Phone: +33.1.6985.2600

KYOCERA MITA ESPAÑA S.A.
Edificio Kyocera, Avda de Manacor No. 2,
28290 Las Matas (Madrid),
Spain
Phone: +34.91.631.8392

KYOCERA MITA FINLAND OY
Kirvesmiehenkatu 4, 00880 Helsinki,
Finland
Phone: +358.9.4780.5200

KYOCERA MITA (SCHWEIZ)
Hohlstrasse 614, 8048 Zürich
Switzerland
Phone: +41.1.908.4949

KYOCERA MITA DEUTSCHLAND GMBH
Otto-Hahn-Str. 12 D-40670 Meerbusch,
Germany
Phone: +49.2159.918.0

KYOCERA MITA GMBH AUSTRIA
Eduard-Kittenberger-Gasse 95,
1230 Wien,
Austria
Phone: +43.1.86338.210

KYOCERA MITA SVENSKA AB
Esbogatan 16B 164 75 Kista,
Sweden
Phone: +46.8.546.55000

KYOCERA MITA NORGE
Postboks 150 Oppsal, NO 0619 Oslo
Olaf Helsetsvei 6, NO 0694 Oslo,
Norway
Phone: +47.22.62.73.00

KYOCERA MITA DANMARK A/S
Ejby Industrivej 1, DK-2600 Glostrup,
Denmark
Phone: +45.5687.1100

KYOCERA MITA PORTUGAL LDA.
Rua do Centro Cultural, 41 (Alvalade) 1700-106 Lisbon,
Portugal
Phone: +351.21.842.9100

KYOCERA MITA SOUTH AFRICA (PTY) LTD.
527 Kyalami Boulevard,
Kyalami Business Park Midrand,
South Africa
Phone: +27.(0)11.540.2600

KYOCERA MITA AMERICA, INC.

Headquarters:
225 Sand Road,
Fairfield, New Jersey 07004-0008,
U.S.A.
Phone: (973) 808-8444

KYOCERA MITA AUSTRALIA PTY. LTD.
Level 3, 6-10 Talavera Road, North Ryde,
N.S.W. 2113 Australia
Phone: (02) 9888-9999

KYOCERA MITA NEW ZEALAND LTD.
1-3 Parkhead Place, Albany
P.O. Box 302 125 NHPC, Auckland,
New Zealand
Phone: (09) 415-4517

KYOCERA MITA (THAILAND) CORP., LTD.
9/209 Ratchada-Prachachem Road,
Bang Sue, Bangkok 10800, Thailand
Phone: (02) 586-0320

KYOCERA MITA SINGAPORE PTE LTD.
121 Genting Lane, 3rd Level,
Singapore 349572
Phone: 67418733

KYOCERA MITA HONG KONG LIMITED
11/F., Mita Centre,
552-566, Castle Peak Road,
Tsuen Wan, New Territories,
Hong Kong
Phone: 24297422

KYOCERA MITA TAIWAN Corporation.
7F-1~2, No.41, Lane 221, Gangchi Rd.
Neihu District, Taipei, Taiwan, 114. R.O.C.
Phone: (02) 87511560

KYOCERA MITA Corporation

2-28, 1-chome, Tamatsukuri, Chuo-ku
Osaka 540-8585, Japan
Phone: (06) 6764-3555
<http://www.kyoceramita.com>

KYOCERA MITA AMERICA, INC.

Headquarters:

225 Sand Road,
Fairfield, New Jersey 07004-0008
TEL : (973) 808-8444
FAX : (973) 882-6000

New York Branch:

1410 Broadway 23rd floor
New York, NY 10018
TEL : (917) 286-5400
FAX : (917) 286-5402

Northeastern Region:

225 Sand Road,
Fairfield, New Jersey 07004-0008
TEL : (973) 808-8444
FAX : (973) 882-4401

Midwestern Region:

201 Hansen Court Suite 119
Wood Dale, Illinois 60191
TEL : (630) 238-9982
FAX : (630) 238-9487

Western Region:

14101 Alton Parkway,
Irvine, California 92618-7006
TEL : (949) 457-9000
FAX : (949) 457-9119

Southeastern Region:

1500 Oakbrook Drive,
Norcross, Georgia 30093
TEL : (770) 729-9786
FAX : (770) 729-9873

Southwestern Region:

2825 West Story Road,
Irving, Texas 75038-5299
TEL : (972) 550-8987
FAX : (972) 252-9786

National Operation Center & National Training Center:

2825 West Story Road,
Irving, Texas 75038-5299
TEL : (972) 659-0055
FAX : (972) 570-5816

Latin America Division:

8240 N.W. 52nd. Terrace Dawson Building,
Suite 108 Miami, Florida 33166
TEL : (305) 421-6640
FAX : (305) 421-6666

KYOCERA MITA CANADA, LTD.

6120 Kestrel Road, Mississauga,
Ontario L5T 1S8, Canada
TEL : (905) 670-4425
FAX : (905) 670-8116

KYOCERA MITA MEXICO, S.A. DE C.V.

Av. 16 de Septiembre #407
Col. Santa Inés,
Azcapotzalco México,
D.F. 02130, México
TEL : (55) 5383-2741
FAX : (55) 5383-7804

©2009 KYOCERA MITA Corporation

<http://www.kyoceramita.com>

 **KYOCERA** is a trademark of Kyocera Corporation

Printed in U.S.A.