



---

# DP-670/DP-670(B)

## PARTS LIST

Published in June 2010

3K5PL073

843K5123

Rev.3

## NOTES

1. Indicate parts number and parts description together with the machine model name when placing an order.

e.g.	Parts Number	Parts Name	Machine Model	Quantity
	303K502070	SEAL WIRE	DP-670/DP-670(B)	1

2. Symbols in the "Parts Number" column.

- Parts with "⊙" indicate regular maintenance parts.

- Parts with "•" are component parts or sub-assemblies of the assembly appearing immediately above them.

e.g.	Parts Number	Parts Name	Parts Number	Parts Name
	303K594080	PARTS SEPARATION SET SP	• 303K507081	SPRING SEPARATION
			• 303K507101	PAD FRONT SEP

- Parts with "••" are component parts or sub-assembly with "•" appearing immediately above them.

e.g.	Parts Number	Parts Name	Parts Number	Parts Name
	•303K594071	PARTS HOLDER SEPARATION	••303HL07093	HOLDER SEPARATION
			••3HL07411	WEIGHT PAD

—— CONTENTS ——

FIG. 1	Covers.....	2
FIG. 2	Frames.....	4
FIG. 3	Paper Feed Section.....	6
FIG. 4	Paper Conveying Section.....	8
FIG. 5	Accessories.....	10
	• INDEX.....	12

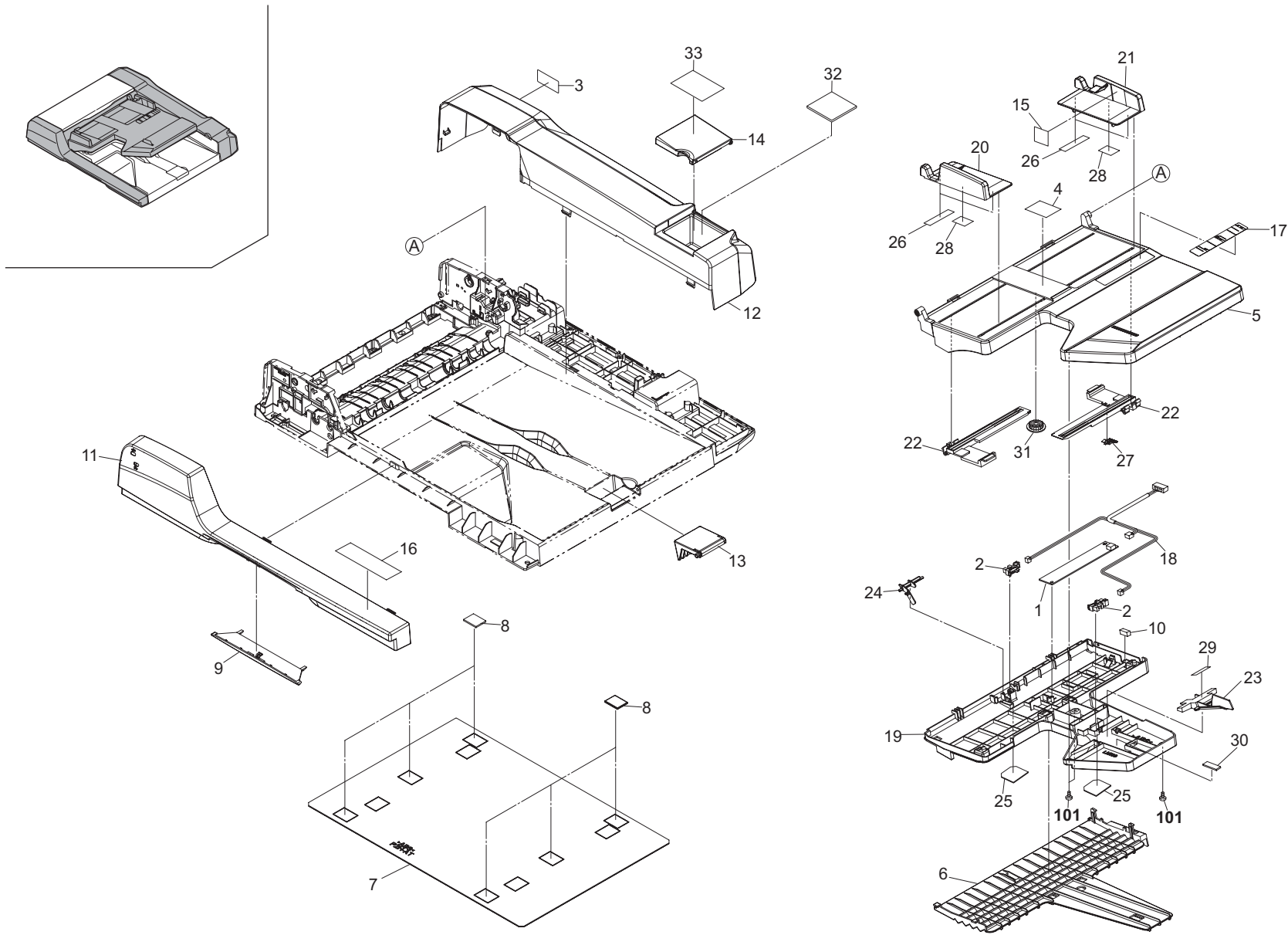


FIG. 1 Covers

3K5-3

Ref. No.	Part.No.	Alternative.	Description	Quantity			
				110	120	230	240
⊙ 1	2C901050	2C901050	PCB MPF SIZE ASSY	1	1	1	1
⊙ 2	2C927210	2C927210	SENSOR 248NL1	2	2	2	2
⊙ 3	303H605050	3H605050	LABEL HINGE CAUTION (DP-670)	1	1	1	1
⊙ 3	303LL34050	3LL34050	LABEL CAUTION (DP-670(B))	1	1	1	1
⊙ 4	303H605110	3H605110	LABEL MSP A	1	1	1	1
⊙ 4	303H605110	3H605110	LABEL MSP A (DP-670)	1			
⊙ 4	303H605240	3H605240	LABEL MSP(CHN) (DP-670(B))	1			
⊙ 5	303HL06012	3HL06012	TABLE ORIGINAL	1	1	1	1
⊙ 6	303HL10011	3HL10011	TRAY LOOP	1	1	1	1
⊙ 7	303JC04200	3JC04200	PLATE ORIGINAL	1	1	1	1
⊙ 8	303MX02021	3MX02021	CUSHION ORIGINAL MAT A	6	6	6	6
⊙ 9	303JX04080	3JX04080	HANDLE DP	1	1	1	1
⊙ 10	303K502070	3K502070	SEAL WIRE	1	1	1	1
⊙ 11	303K504012	3K504012	COVER FRONT (DP-670)	1	1	1	1
⊙ 11	303K504060	3K504060	COVER FRONT(B) (DP-670(B))	1	1	1	1
⊙ 12	303K504021	3K504021	COVER REAR (DP-670)	1	1	1	1
⊙ 12	303MX04040	3MX04040	COVER REAR (DP-670(B))	1	1	1	1
⊙ 13	303K504040	3K504040	STOPPER EJECT ORIGINAL	1	1	1	1
⊙ 14	303K504051	3K504051	LID REAR COVER (DP-670)	1	1	1	1
⊙ 14	303MX04050	3MX04050	LID REAR COVER (DP-670(B))	1	1	1	1
⊙ 15	303K534010	3K534010	LABEL,ORIGINAL SET	1	1	1	1
⊙ 16	303K534030	3K534030	LABEL CAUTION B ENGLISH (DP-670)	1	1	1	1
⊙ 17	303K534091	3K534091	LABEL SIZE DIRECTIONS	1	1	1	1
⊙ 18	303K546010	3K546010	JUNCTION WIRING ORIGINAL TABLE	1	1	1	1
⊙ 19	303HL06021	3HL06021	COVER TABLE (DP-670)	1	1	1	1
⊙ 19	303MX06011	3MX06011	COVER TABLE (DP-670(B))	1	1	1	1
⊙ 20	3HL06030	3HL06030	FRONT CURSOR TABLE	1	1	1	1
⊙ 21	3HL06040	3HL06040	REAR CURSOR TABLE	1	1	1	1
⊙ 22	3HL06050	3HL06050	RACK TABLE	2	2	2	2
⊙ 23	3HL06060	3HL06060	ACTUATOR SIZE DETECTION	1	1	1	1
⊙ 24	303HL06071	3HL06071	ACTUATOR LOOP SWITCH	1	1	1	1
⊙ 25	3HL06080	3HL06080	FILM TABLE PI	2	2	2	2
⊙ 26	3HL06090	3HL06090	CUSHION CURSOR	4	4	4	4
⊙ 27	3HL06110	3HL06110	TERMINAL PAPER SIZE	1	1	1	1
⊙ 28	3HL06120	3HL06120	SPACER CURSOR	2	2	2	2
⊙ 29	3HL06130	3HL06130	FILM ACTUATOR	1	1	1	1
⊙ 30	3HL06140	3HL06140	CUSHION ACTUATOR	1	1	1	1
⊙ 31	65907210	65907210	GEAR 20,CASSETTE	1	1	1	1
⊙ 32	303H604090	3H604090	CLOTH CLEANING	1	1	1	1
⊙ 33	303K534100	3K534100	LABEL CLOTH (DP-670)	1	1	1	1

Ref. No.	Part.No.	Alternative.	Description	Quantity			
				110	120	230	240
101	7BB202308H	BB105690	+TP-FLAT T.T P SCREW 3X8				

- Parts with "\*" are component parts or sub-assemblies of the assembly appearing immediately above them.
- Parts with "⊙" indicate regular maintenance parts.

- Parts with "••" are component parts or sub-assembly with "•" appearing immediately above them.

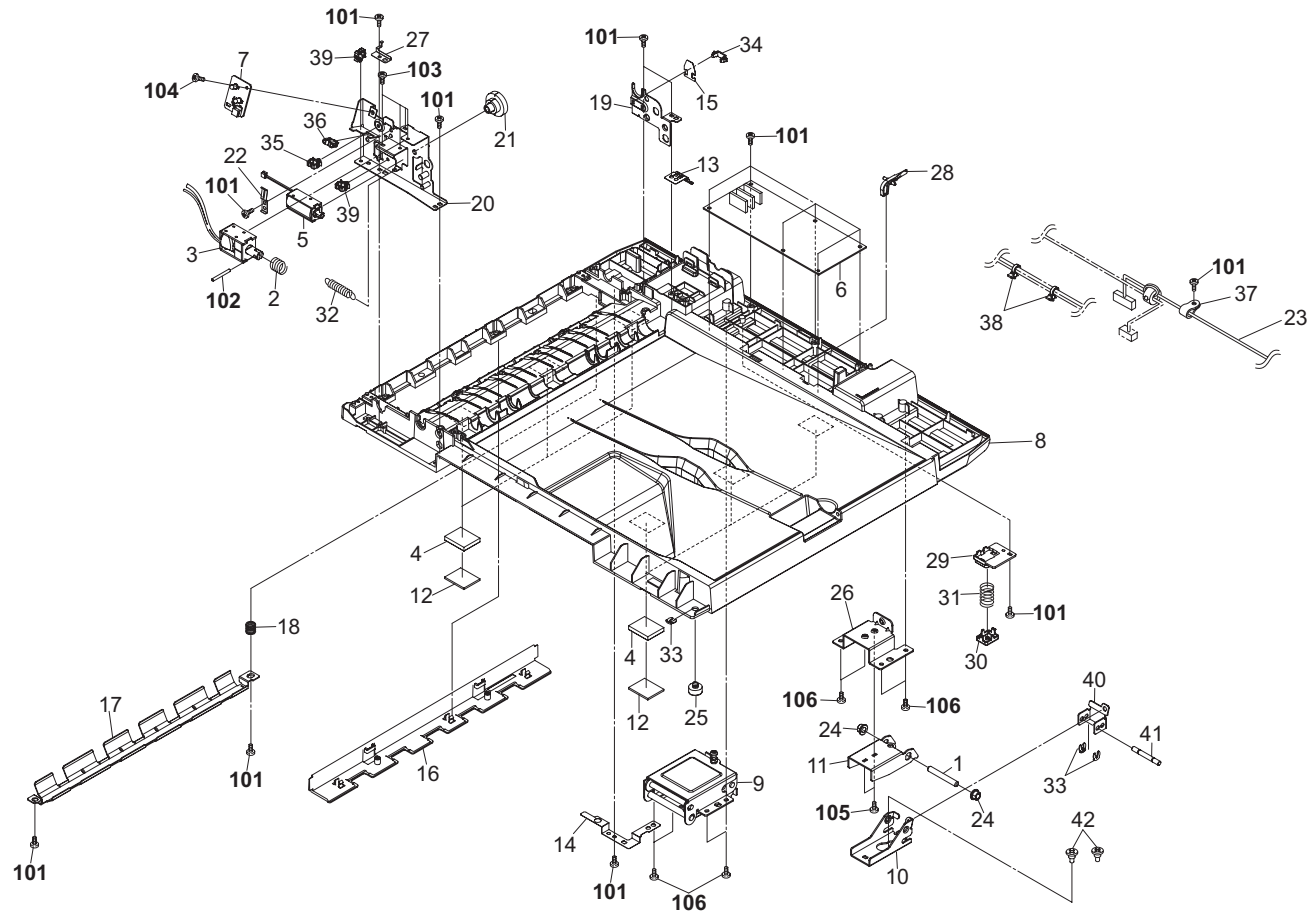
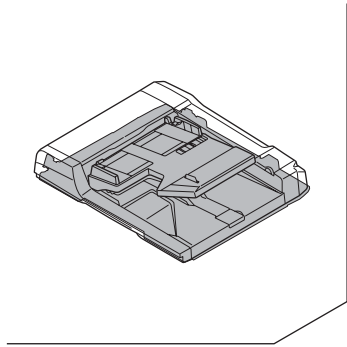


FIG. 2 Frames

3K5-3

Ref. No.	Part.No.	Alternative.	Description	Quantity			
				110	120	230	240
1	303HL02131	3HL02131	SHAFT HINGE	1	1	1	1
2	303HL10200	3HL10200	SPRING LOOP	1	1	1	1
3	303HL27122	3HL27122	SOLENOID,PRESSURE PULLEY	1	1	1	1
4	303MX02031	3MX02031	CUSHION ORIGINAL MAT B	6	6	6	6
5	303MX94050	3MX94050	PARTS SOLENOID LOOP SP	1	1	1	1
6	303K594022	3K594022	PARTS,MAIN PWB ASS'Y,SP	1	1	1	1
7	303K594030	3K594030	PARTS,LED PWB ASS'Y,SP	1	1	1	1
8	303K502012	3K502012	BASE DP	1	1	1	1
9	303K502020	3K502020	LEFT HINGE	1	1	1	1
10	303K502040	3K502040	RIGHT HINGE A	1	1	1	1
11	303K502050	3K502050	RIGHT HINGE B	1	1	1	1
12	303K502080	3K502080	SPONGE ORIGINAL MAT	6	6	6	6
13	303K502090	3K502090	GROUND PLATE MOTOR	1	1	1	1
14	303K502100	3K502100	GROUND PLATE LEFT GUIDE	1	1	1	1
15	303K502150	3K502150	FILM WIRE	1	1	1	1
16	303K504030	3K504030	COVER LEFT (DP-670)	1	1	1	1
16	303MX04030	3MX04030	COVER LEFT (DP-670(B))	1	1	1	1
17	303K524010	3K524010	GUIDE READING	1	1	1	1
18	303K524060	3K524060	SPRING READING GUIDE	1	1	1	1
19	303K531010	3K531010	MOUNT GUIDE	1	1	1	1
20	303K531110	3K531110	FRONT FRAME CONVEYING	1	1	1	1
21	303K531130	3K531130	GEAR 30 JAM REMOVAL	1	1	1	1
22	303K531190	3K531190	GROUND PLATE PF	1	1	1	1
23	303K546053	3K546053	WIRE INTERFACE (DP-670)	1	1	1	1
23	303K546080	3K546080	WIRE INTERFACE (DP-670(B))	1	1	1	1
24	3CY07080	3CY07080	BUSHING 6	2	2	2	2
25	3H602250	3H602250	CUSHION RUBBER	1	1	1	1
26	3HL02050	3HL02050	ADJUSTING PLATE A HINGE	1	1	1	1
27	3HL02120	3HL02120	GROUND PLATE CONVEYING	1	1	1	1
28	303K502200	3K502200	ACTUATOR BASE	1	1	1	1
29	3HL02230	3HL02230	MOUNT PUSH SW (DP-670)	1	1	1	1
29	303MX02010	3MX02010	MOUNT PUSH SW (DP-670(B))	1	1	1	1
30	3HL02240	3HL02240	PUSH SW DP	1	1	1	1
31	3HL02250	3HL02250	SPRING,PUSH SWITCH	1	1	1	1
32	3HL10090	3HL10090	SPRING,LF SHIFT GUIDE	1	1	1	1
33	5MVX111DN003	2A806250	RING STOPPER /A-49 FEED A4	3	3	3	3
34	7YZM390011++H01	YZ050250	ACCESS.CLAMP	1	1	1	1
35	7YZM610008++H01	YZ037940	ACCESS.SADDLE	1	1	1	1
36	M2104260	M2104260	EDGING,EDS-0607U(KITAGAWA)	1	1	1	1
37	M2105030	M2105030	NYLON CLAMP 5N,NK-5N	1	1	1	1
38	M2607010	M2607010	BINDING BAND,PLT1M	2	2	2	2
39	M70AK010	M70AK010	WIRE SADDLE RMS-1V0(TAKEUCHI)	2	2	2	2
40	303K502060	3K502060	PLATE LIMITATION	1	1	1	1
41	303K502140	3K502140	SHAFT HINGE	1	1	1	1
42	303K502180	3K502180	PIN DP	2	2	2	2

Ref. No.	Part.No.	Alternative.	Description	Quantity			
				110	120	230	240
101	7BB202308H	BB105690	+TP-FLAT T.T P SCREW 3X8				
102	E0030200	48100320	SPRING PIN 3X20				
103	7BB007303H	BB105750	+TP-CUP M SCREW 3X3				
104	7BB100306H1	BB105820	+BIND T.T S SCREW 3X6				
105	7BB007306H	BB112570	+TP-CUP M SCREW 3X6				
106	7BB200410H	BB105700	+BIND T.T P SCREW 4X10				

- Parts with "\*" are component parts or sub-assemblies of the assembly appearing immediately above them.
- Parts with "⊙" indicate regular maintenance parts.

- Parts with "••" are component parts or sub-assembly with "•" appearing immediately above them.

FIG. 3 Paper Feed Section

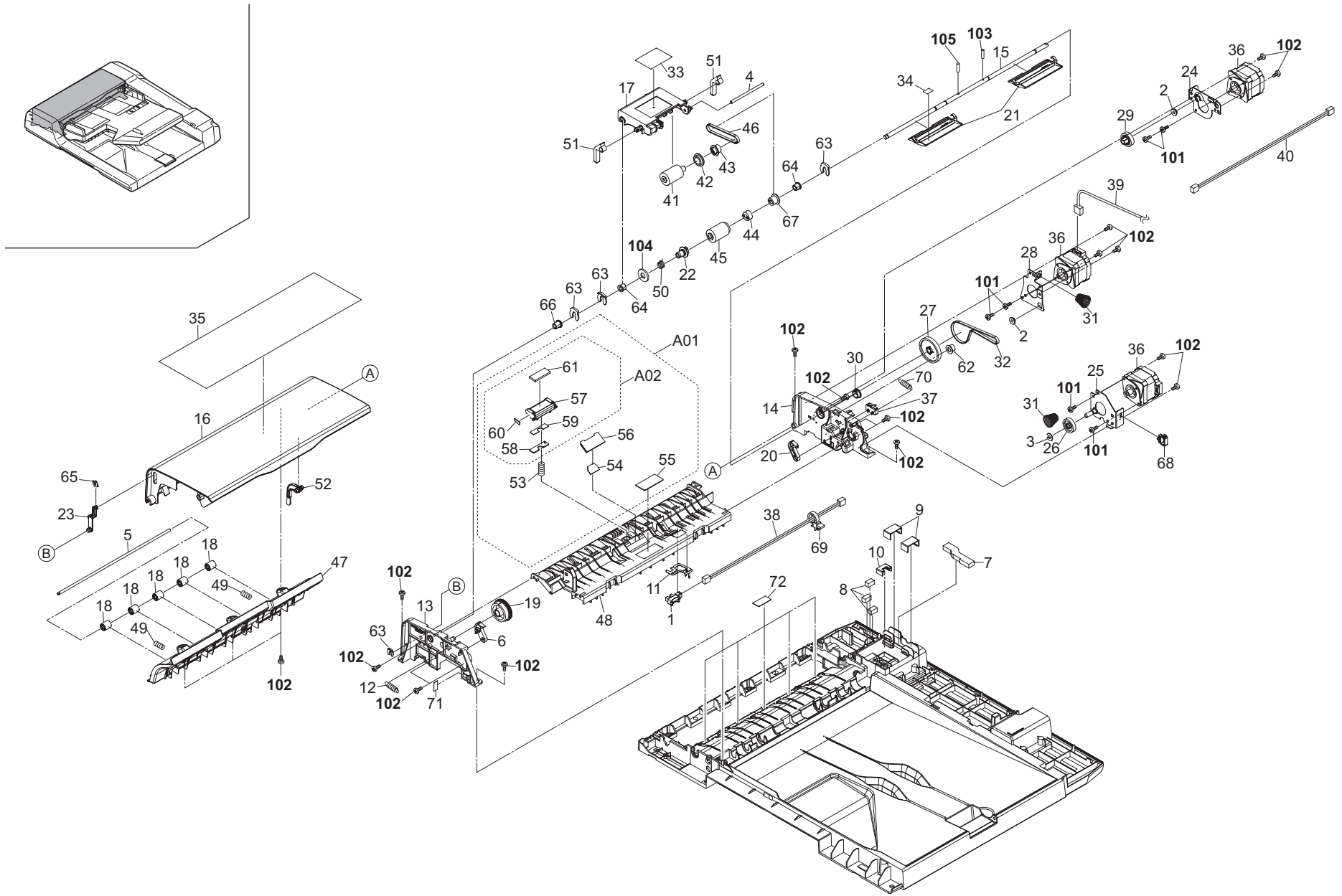




FIG. 3 Paper Feed Section

3K5-3

Ref. No.	Part.No.	Alternative.	Description	Quantity			
				110	120	230	240
⊙	1	2C927210	2C927210	1	1	1	1
⊙	2	302F929140	2F929140	2	2	2	2
	3	302FB09830	2FB09830	1	1	1	1
	4	303HL07031	3HL07031	1	1	1	1
	5	303HL07131	3HL07131	1	1	1	1
	6	303HL07161	3HL07161	1	1	1	1
	7	303K502030	3K502030	1	1	1	1
	8	303K502070	3K502070	3	3	3	3
	9	303K502110	3K502110	2	2	2	2
	10	303K502120	3K502120	1	1	1	1
	11	303K502160	3K502160	1	1	1	1
	12	303K502170	3K502170	1	1	1	1
	13	303K507010	3K507010	1	1	1	1
	13	303MX07010	3MX07010	1	1	1	1
	14	303K507020	3K507020	1	1	1	1
	14	303MX07020	3MX07020	1	1	1	1
	15	303K507030	3K507030	1	1	1	1
⊙	16	303K507042	3K507042	1	1	1	1
⊙	16	303MX07031	3MX07031	1	1	1	1
	17	303K507051	3K507051	1	1	1	1
	17	303MX07040	3MX07040	1	1	1	1
⊙	18	3HL08080	3HL08080	5	5	5	5
⊙	19	303K507070	3K507070	1	1	1	1
⊙	20	3HL07170	3HL07170	1	1	1	1
⊙	21	303K507090	3K507090	2	2	2	2
⊙	21	303MX07060	3MX07060	2	2	2	2
	22	3HL07180	3HL07180	1	1	1	1
	23	303K507110	3K507110	1	1	1	1
	24	303K531020	3K531020	1	1	1	1
	25	303K531030	3K531030	1	1	1	1
⊙	26	303K531040	3K531040	1	1	1	1
⊙	27	303K531080	3K531080	1	1	1	1
	28	303K531090	3K531090	1	1	1	1
⊙	29	303K531100	3K531100	1	1	1	1
	30	303K531180	3K531180	1	1	1	1
	31	303K531200	3K531200	2	2	2	2
⊙	32	303K531220	3K531220	1	1	1	1
⊙	33	303K534040	3K534040	1	1	1	1
	34	303K534050	3K534050	1	1	1	1
⊙	35	303K534020	3K534020	1	1	1	1
⊙	35	303K534250	3K534250	1	1	1	1
⊙	35	303MX34040	3MX34040	1	1	1	1
⊙	36	303K544010	3K544010	3	3	3	3
⊙	37	303K544030	3K544030	1	1	1	1
	38	303K546021	3K546021	1	1	1	1
	39	303K546040	3K546040	1	1	1	1
	40	303K546070	3K546070	1	1	1	1
	41	36211110	36211110	1	1	1	1
	42	36211500	36211500	1	1	1	1
	43	303A707121	3A707121	1	1	1	1

- Parts with "\*" are component parts or sub-assemblies of the assembly appearing immediately above them.
- Parts with "⊙" indicate regular maintenance parts.

Ref. No.	Part.No.	Alternative.	Description	Quantity			
				110	120	230	240
⊙	44	3BC07130	3BC07130	1	1	1	1
⊙	45	3BR07040	3BR07040	1	1	1	1
⊙	46	3HL07190	3HL07190	1	1	1	1
	47	303HL07063	3HL07063	1	1	1	1
	48	3HL07070	3HL07070	1	1	1	1
	49	3HL07310	3HL07310	2	2	2	2
	50	3HL07110	3HL07110	1	1	1	1
	51	3HL07140	3HL07140	2	2	2	2
	52	3HL07150	3HL07150	1	1	1	1
	A01	303K594080	3K594080	1	1	1	1
	53	*303K507081	3K507081	1	1	1	1
⊙	54	*303K507101	3K507101	1	1	1	1
⊙	55	*2A107060	2A107060	1	1	1	1
	56	*3HL07300	3HL07300	1	1	1	1
⊙	A02	*303K594071	3K594071	1	1	1	1
	57	**303HL07093	3HL07093	1	1	1	1
	58	**3HL07411	3HL07411	1	1	1	1
	59	**3HL07421	3HL07421	1	1	1	1
	60	**3HL07450	3HL07450	1	1	1	1
⊙	61	**303K507060	3K507060	1	1	1	1
	62	3HL22160	3HL22160	1	1	1	1
	63	5MVL177DN001	2FB06810	4	4	4	4
	64	5MVM176DN026	2A806030	2	2	2	2
	65	5MVX111DN003	2A806250	1	1	1	1
	66	60606101	60606101	1	1	1	1
	67	68721640	68721640	1	1	1	1
	68	7YZM610010++H01	YZ042990	1	1	1	1
	69	M2607010	M2607010	1	1	1	1
	70	3HL07240	3HL07240	1	1	1	1
	71	303K529020	3K529020	1	1	1	1
	72	303K524110	3K524110	5	5	5	5
	101	7BB100306H1	BB105820				
	102	7BB202308H	BB105690				
	103	E0020080	48100208				
	104	C2895950	C2895950				
	105	5MBP2010WXSP	E0020100				

- Parts with "\*•" are component parts or sub-assembly with "\*" appearing immediately above them.

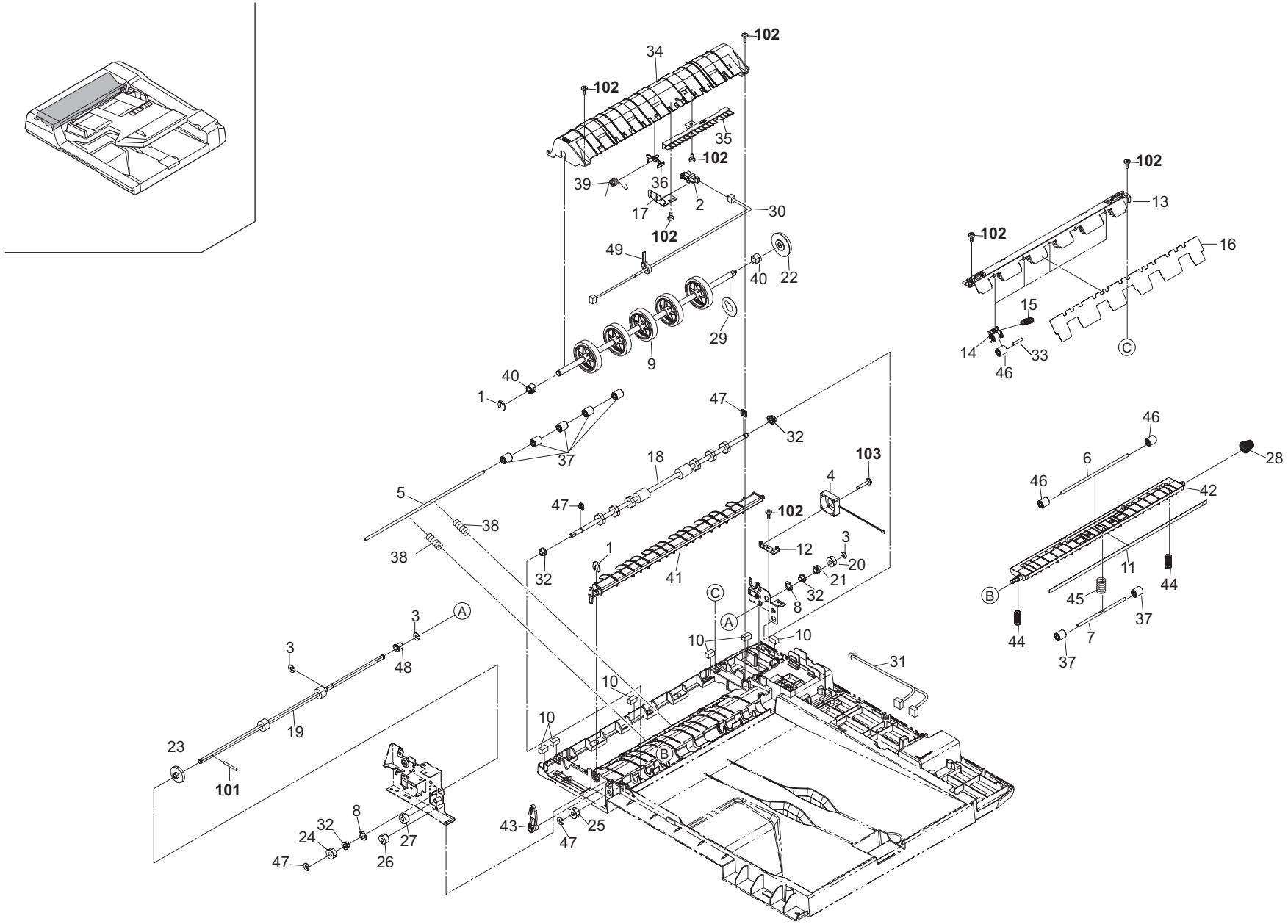


FIG. 4 Paper Conveying Section

3K5-3

Ref. No.	Part.No.	Alternative.	Description	Quantity			
				110	120	230	240
1	2BC06910	2BC06910	STOPPER 6	2	2	2	2
2	2C927210	2C927210	SENSOR 248NL1	1	1	1	1
3	302FB09830	2FB09830	CUT WASHER 4	3	3	3	3
4	302H094480	2H094480	PARTS FAN MAIN PWB SP	1	1	1	1
5	303HL07131	3HL07131	SHAFT REGISTRATION	1	1	1	1
6	303HL10041	3HL10041	SHAFT LOOP PULLEY	1	1	1	1
7	303HL10111	3HL10111	SHAFT EJECT PULLEY	1	1	1	1
8	303HL22200	3HL22200	PLATE GND	2	2	2	2
9	303K594010	3K594010	PARTS CONVEYING ROLLER ASSY SP	1	1	1	1
10	303K502070	3K502070	SEAL WIRE	6	6	6	6
11	303K594060	3K594060	PARTS STATIC ELEMATOR EJECT SP	1	1	1	1
12	303K502190	3K502190	MOUNT FAN	1	1	1	1
13	303K524030	3K524030	GUIDE LEFT	1	1	1	1
14	303K524040	3K524040	HOLDER LEFT PULLEY	5	5	5	5
15	303K524050	3K524050	SPRING LEFT PULLEY	5	5	5	5
16	303K524071	3K524071	FILM CONVEYING	1	1	1	1
17	303K524100	3K524100	MOUNT PI	1	1	1	1
18	303K594040	3K594040	PARTS ROLLER EJECT SP	1	1	1	1
19	303K594050	3K594050	PARTS ROLLER LOOP SP	1	1	1	1
20	303K531050	3K531050	GEAR 25	1	1	1	1
21	303K531060	3K531060	PULLEY LOOP 18	1	1	1	1
22	303K531070	3K531070	PULLEY 57 ASS'Y	1	1	1	1
23	303K531120	3K531120	GEAR 48 LOOP ROLLER	1	1	1	1
24	303K531140	3K531140	GEAR 16 EJECT R	1	1	1	1
25	303K531150	3K531150	GEAR 16 EJECT L	1	1	1	1
26	303K531160	3K531160	GEAR 15 IDLE R	1	1	1	1
27	303K531170	3K531170	GEAR 15 IDLE L	1	1	1	1
28	303K531200	3K531200	SPRING GND	1	1	1	1
29	303K531210	3K531210	SPACER PULLEY	1	1	1	1
30	303K546030	3K546030	JUNCTION WIRING REGIST SENSOR	1	1	1	1
31	303K546061	3K546061	JUNCTION WIRING SOLENOID	1	1	1	1
32	3CY07080	3CY07080	BUSHING 6	4	4	4	4
33	3H608150	3H608150	SHAFT C PULLEY	5	5	5	5
34	3HL08010	3HL08010	GUIDE CONVEYING	1	1	1	1
35	3HL08020	3HL08020	GUIDE B CONVEYING	1	1	1	1
36	3HL08070	3HL08070	ACTUATOR CONVEYING TIMING	1	1	1	1
37	3HL08080	3HL08080	PULLEY CONVEYING	7	7	7	7
38	3HL08090	3HL08090	SPRING,CONVEYING PULLEY	2	2	2	2
39	3HL08130	3HL08130	SPRING,CONVEYING ACTUATOR	1	1	1	1
40	3HL08140	3HL08140	BUSHING 8	2	2	2	2
41	3HL10020	3HL10020	GUIDE LOOP FEED SHIFT	1	1	1	1
42	3HL10050	3HL10050	HOLDER LOOP PULLEY	1	1	1	1
43	3HL10060	3HL10060	LEVER LOOP PRESSURE	1	1	1	1
44	3HL10070	3HL10070	SPRING,LOOP PRESSURE	2	2	2	2
45	3HL10120	3HL10120	SPRING,EJECT PULLEY	1	1	1	1
46	3HL10140	3HL10140	PULLEY LOOP	7	7	7	7
47	5MVX111DN003	2A806250	RING STOPPER /A-49 FEED A4	4	4	4	4
48	60606101	60606101	BUSHING FEED BACK ROLLER	1	1	1	1
49	M2607010	M2607010	BINDING BAND,PLT1M	1	1	1	1

Ref. No.	Part.No.	Alternative.	Description	Quantity			
				110	120	230	240
101	5MBP2010WXSP	E0020100	SPRING PIN / M2 X 10 S-BLK				
102	7BB202308H	BB105690	+TP-FLAT T.T P SCREW 3X8				
103	7BB100314H	BB112130	+BIND T.T S SCREW 3X14				

- Parts with "\*" are component parts or sub-assemblies of the assembly appearing immediately above them.
- Parts with "⊙" indicate regular maintenance parts.

- Parts with "••" are component parts or sub-assembly with "•" appearing immediately above them.

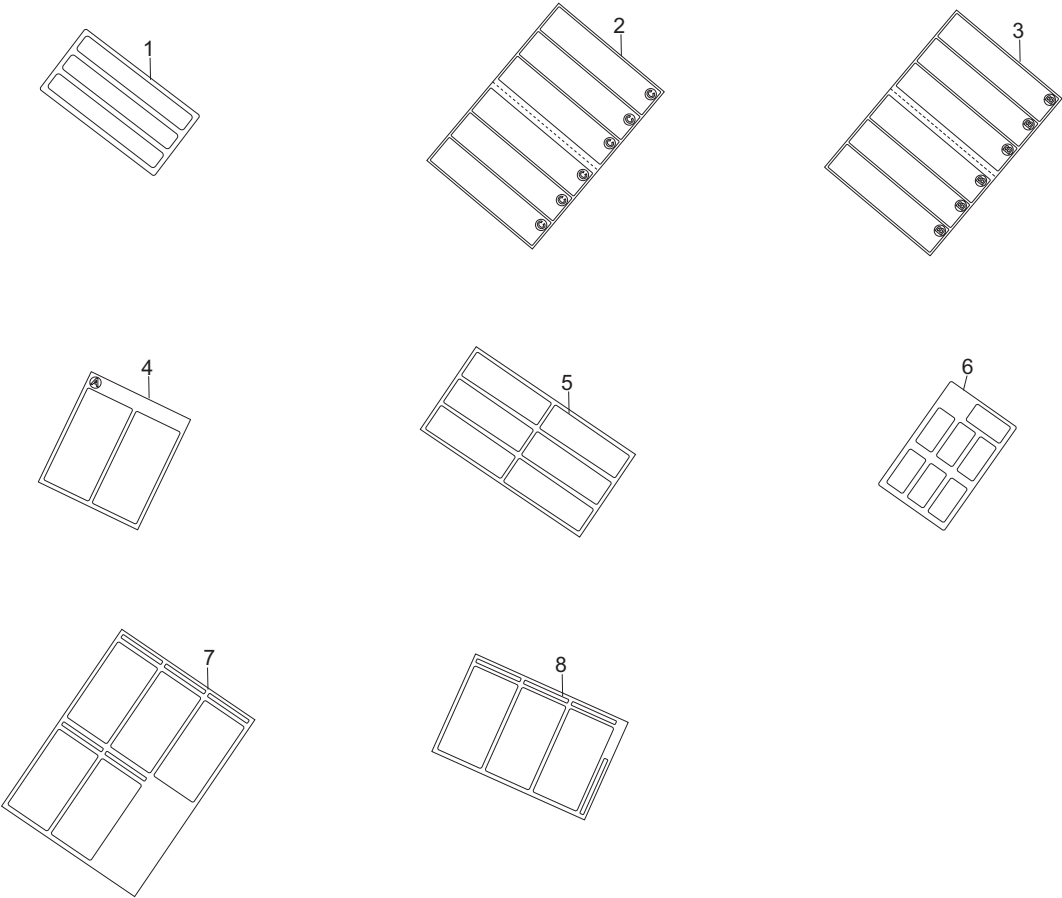


FIG. 5 Accessories

3K5-3

Ref. No.	Part.No.	Alternative.	Description	Quantity			
				110	120	230	240
1	303K534120	3K534120	LABEL CAUTION A (I) 3NATIONS SF (DP-670)		1		
2	303K534130	3K534130	LABEL CAUTION A (C)6NATIONS SF (DP-670)	1		1	1
3	303K534140	3K534140	LABEL CAUTIONA (C)6NATIONS WC (DP-670)	1		1	1
4	303K534110	3K534110	LABEL CAUTION A (C) WC (DP-670)	1		1	1
5	303K534160	3K534160	LABEL CAUTION B 6NATIONS (DP-670)	1	1	1	1
6	303LL34190	3LL34190	LABEL FACE UP 7NATIONS	1	1	1	1
7	303K534280	3K534280	LABEL CAUTION SET E(B) (DP-670(B))	1		1	1
8	303MX34060	3MX34060	LABEL CAUTION SET A (DP-670(B))		1	1	1

- Parts with "•" are component parts or sub-assemblies of the assembly appearing immediately above them.
- Parts with "⊙" indicate regular maintenance parts.

- Parts with "••" are component parts or sub-assembly with "•" appearing immediately above them.

	Part.No.	Alternative.	Description	Fig.No.
⊙	2A107060	2A107060	FRICTION PLATE,CASSETTE	3
	2BC06910	2BC06910	STOPPER 6	4
⊙	2C901050	2C901050	PCB MPF SIZE ASSY	1
⊙	2C927210	2C927210	SENSOR 248NL1	1,3,4
⊙	302F929140	2F929140	BUSH DU	3
	302FB09830	2FB09830	CUT WASHER 4	3,4
⊙	302H094480	2H094480	PARTS FAN MAIN PWB SP	4
	303A707121	3A707121	PULLEY LEADING FEED	3
⊙	303H604090	3H604090	CLOTH CLEANING	1
	303H605050	3H605050	LABEL HINGE CAUTION	1
⊙	303H605110	3H605110	LABEL MSP A	1
⊙	303H605240	3H605240	LABEL MSP(CHN)	1
	303HL02131	3HL02131	SHAFT HINGE	2
⊙	303HL06012	3HL06012	TABLE ORIGINAL	1
⊙	303HL06021	3HL06021	COVER TABLE	1
	303HL06071	3HL06071	ACTUATOR LOOP SWITCH	1
	303HL07031	3HL07031	SHAFT LEADING FEED	3
	303HL07063	3HL07063	UPPER GUIDE PAPER FEED	3
	303HL07093	3HL07093	HOLDER SEPARATION	3
	303HL07131	3HL07131	SHAFT REGISTRATION	3,4
	303HL07161	3HL07161	FRONT HOOK PF COVER	3
⊙	303HL10011	3HL10011	TRAY LOOP	1
	303HL10041	3HL10041	SHAFT LOOP PULLEY	4
	303HL10111	3HL10111	SHAFT EJECT PULLEY	4
	303HL10200	3HL10200	SPRING LOOP	2
	303HL22200	3HL22200	PLATE GND	4
⊙	303HL27122	3HL27122	SOLENOID.PRESSURE PULLEY	2
⊙	303JC04200	3JC04200	PLATE ORIGINAL	1
⊙	303JX04080	3JX04080	HANDLE DP	1
	303K502012	3K502012	BASE DP	2
⊙	303K502020	3K502020	LEFT HINGE	2
	303K502030	3K502030	SEAL WIRE L	3
	303K502040	3K502040	RIGHT HINGE A	2
	303K502050	3K502050	RIGHT HINGE B	2
	303K502060	3K502060	PLATE LIMITATION	2
	303K502070	3K502070	SEAL WIRE	1,3,4
	303K502080	3K502080	SPONGE ORIGINAL MAT	2
	303K502090	3K502090	GROUND PLATE MOTOR	2
	303K502100	3K502100	GROUND PLATE LEFT GUIDE	2
	303K502110	3K502110	HOLDER WIRE	3
	303K502120	3K502120	HOLDER WIRE B	3
	303K502140	3K502140	SHAFT HINGE	2
	303K502150	3K502150	FILM WIRE	2
	303K502160	3K502160	GROUND PLATE PI	3
	303K502170	3K502170	SPRING HOOK PF	3
	303K502180	3K502180	PIN DP	2
	303K502190	3K502190	MOUNT FAN	4
	303K502200	3K502200	ACTUATOR BASE	2
⊙	303K504012	3K504012	COVER FRONT	1
⊙	303K504021	3K504021	COVER REAR	1

	Part.No.	Alternative.	Description	Fig.No.
⊙	303K504030	3K504030	COVER LEFT	2
⊙	303K504040	3K504040	STOPPER EJECT ORIGINAL	1
⊙	303K504051	3K504051	LID REAR COVER	1
⊙	303K504060	3K504060	COVER FRONT(B)	1
	303K507010	3K507010	FRONT FRAME PF	3
	303K507020	3K507020	REAR FRAME PF	3
	303K507030	3K507030	SHAFT PF	3
⊙	303K507042	3K507042	COVER PF	3
	303K507051	3K507051	HOLDER LEADING FEED	3
⊙	303K507060	3K507060	PAD SEPARATION	3
⊙	303K507070	3K507070	DIAL JAM REMOVALMENT	3
	303K507081	3K507081	SPRING SEPARATION	3
⊙	303K507090	3K507090	GUIDE PF	3
⊙	303K507101	3K507101	PAD FRONT SEP	3
	303K507110	3K507110	STOPPER PF COVER	3
⊙	303K524010	3K524010	GUIDE READING	2
	303K524030	3K524030	GUIDE LEFT	4
	303K524040	3K524040	HOLDER LEFT PULLEY	4
	303K524050	3K524050	SPRING LEFT PULLEY	4
	303K524060	3K524060	SPRING READING GUIDE	2
⊙	303K524071	3K524071	FILM CONVEYING	4
	303K524100	3K524100	MOUNT PI	4
	303K524110	3K524110	FILM PULLEY	3
	303K529020	3K529020	CUSHION LEVER PRESSURE	3
	303K531010	3K531010	MOUNT GUIDE	2
	303K531020	3K531020	MOUNT PF DRIVE	3
	303K531030	3K531030	MOUNT LOOP DRIVE	3
⊙	303K531040	3K531040	GEAR 42	3
⊙	303K531050	3K531050	GEAR 25	4
	303K531060	3K531060	PULLEY LOOP 18	4
⊙	303K531070	3K531070	PULLEY 57 ASS'Y	4
⊙	303K531080	3K531080	GEAR 78 CONVEYING	3
	303K531090	3K531090	MOUNT C DRIVE	3
⊙	303K531100	3K531100	GEAR 41 PF	3
	303K531110	3K531110	FRONT FRAME CONVEYING	2
⊙	303K531120	3K531120	GEAR 48 LOOP ROLLER	4
⊙	303K531130	3K531130	GEAR 30 JAM REMOVALMENT	2
⊙	303K531140	3K531140	GEAR 16 EJECT R	4
⊙	303K531150	3K531150	GEAR 16 EJECT L	4
⊙	303K531160	3K531160	GEAR 15 IDLE R	4
⊙	303K531170	3K531170	GEAR 15 IDLE L	4
	303K531180	3K531180	BUSHING PF	3
	303K531190	3K531190	GROUND PLATE PF	2
	303K531200	3K531200	SPRING GND	3,4
	303K531210	3K531210	SPACER PULLEY	4
⊙	303K531220	3K531220	BELT EJECT	3
	303K534010	3K534010	LABEL,ORIGINAL SET	1
⊙	303K534020	3K534020	LABEL CAUTION A (I,C) SF	3
⊙	303K534030	3K534030	LABEL CAUTION B ENGLISH	1
⊙	303K534040	3K534040	LABEL JAM REMOVALMENT	3

• Parts with "⊙" indicate regular maintenance parts.

	Part.No.	Alternative.	Description	Fig.No.		Part.No.	Alternative.	Description	Fig.No.
	303K534050	3K534050	LABEL C	3	⊙	3H602250	3H602250	CUSHION RUBBER	2
	303K534091	3K534091	LABEL SIZE DIRECTIONS	1		3H608150	3H608150	SHAFT C PULLEY	4
	303K534100	3K534100	LABEL CLOTH	1		3HL02050	3HL02050	ADJUSTING PLATE A HINGE	2
	303K534110	3K534110	LABEL CAUTION A (C) WC	5		3HL02120	3HL02120	GROUND PLATE CONVEYING	2
	303K534120	3K534120	LABEL CAUTION A (I) 3NATIONS SF	5		3HL02230	3HL02230	MOUNT PUSH SW	2
	303K534130	3K534130	LABEL CAUTION A (C) 6NATIONS SF	5		3HL02240	3HL02240	PUSH SW DP	2
	303K534140	3K534140	LABEL CAUTION A (C) 6NATIONS WC	5		3HL02250	3HL02250	SPRING,PUSH SWITCH	2
	303K534160	3K534160	LABEL CAUTION B 6NATIONS	5	⊙	3HL06030	3HL06030	FRONT CURSOR TABLE	1
	303K534250	3K534250	LABEL CAUTION B	3	⊙	3HL06040	3HL06040	REAR CURSOR TABLE	1
	303K534280	3K534280	LABEL CAUTION SET E(B)	5		3HL06050	3HL06050	RACK TABLE	1
	303K544010	3K544010	MOTOR DP	3		3HL06060	3HL06060	ACTUATOR SIZE DETECTION	1
	303K544030	3K544030	SWITCH INTERLOCK	3	⊙	3HL06080	3HL06080	FILM TABLE PI	1
	303K546010	3K546010	JUNCTION WIRING ORIGINAL TABLE	1		3HL06090	3HL06090	CUSHION CURSOR	1
	303K546021	3K546021	JUNCTION WIRING SET SENSOR	3	⊙	3HL06110	3HL06110	TERMINAL PAPER SIZE	1
	303K546030	3K546030	JUNCTION WIRING REGIST SENSOR	4		3HL06120	3HL06120	SPACER CURSOR	1
	303K546040	3K546040	JUNCTION WIRING MOTOR	3		3HL06130	3HL06130	FILM ACTUATOR	1
	303K546053	3K546053	WIRE INTERFACE	2		3HL06140	3HL06140	CUSHION ACTUATOR	1
	303K546061	3K546061	JUNCTION WIRING SOLENOID	4		3HL07070	3HL07070	LOWER GUIDE PAPER FEED	3
	303K546070	3K546070	JUNCTION WIRING FEED MOTOR	3		3HL07110	3HL07110	SPRING,LIFT	3
	303K546080	3K546080	WIRE INTERFACE	2		3HL07140	3HL07140	STOPPER ORIGINAL	3
	303K594010	3K594010	PARTS CONVEYING ROLLER ASSY SP	4		3HL07150	3HL07150	ACTUATOR ORIGINAL SET	3
	303K594022	3K594022	PARTS,MAIN PWB ASS'Y,SP	2		3HL07170	3HL07170	REAR HOOK PF COVER	3
	303K594030	3K594030	PARTS.LED PWB ASS'Y,SP	2		3HL07180	3HL07180	BOSS LIFT	3
	303K594040	3K594040	PARTS ROLLER EJECT SP	4	⊙	3HL07190	3HL07190	BELT 150S2M,PAPER FEED	3
	303K594050	3K594050	PARTS ROLLER LOOP SP	4		3HL07240	3HL07240	SPRING HOOK	3
	303K594060	3K594060	PARTS STATIC ELEMENATOR EJECT SP	4		3HL07300	3HL07300	FILM LEADING	3
	303K594071	3K594071	PARTS HOLDER SEPARATION	3		3HL07310	3HL07310	SPRING REGISTRATION B	3
	303K594080	3K594080	PARTS SEPARATION SET SP	3		3HL07411	3HL07411	WEIGHT PAD	3
	303LL34050	3LL34050	LABEL CAUTION	1		3HL07421	3HL07421	TAPE WEIGHT	3
	303LL34190	3LL34190	LABEL FACE UP 7NATIONS	5		3HL07450	3HL07450	CUSHION SEPARATION	3
	303MX02010	3MX02010	MOUNT PUSH SW	2		3HL08010	3HL08010	GUIDE CONVEYING	4
	303MX02021	3MX02021	CUSHION ORIGINAL MAT A	1		3HL08020	3HL08020	GUIDE B CONVEYING	4
	303MX02031	3MX02031	CUSHION ORIGINAL MAT B	2		3HL08070	3HL08070	ACTUATOR CONVEYING TIMING	4
	303MX04030	3MX04030	COVER LEFT	2	⊙	3HL08080	3HL08080	PULLEY CONVEYING	3,4
	303MX04040	3MX04040	COVER REAR	1		3HL08090	3HL08090	SPRING,CONVEYING PULLEY	4
	303MX04050	3MX04050	LID REAR COVER	1		3HL08130	3HL08130	SPRING,CONVEYING ACTUATOR	4
	303MX06011	3MX06011	COVER TABLE	1		3HL08140	3HL08140	BUSHING 8	4
	303MX07010	3MX07010	FRONT FRAME PF	3		3HL10020	3HL10020	GUIDE LOOP FEED SHIFT	4
	303MX07020	3MX07020	REAR FRAME PF	3		3HL10050	3HL10050	HOLDER LOOP PULLEY	4
	303MX07031	3MX07031	COVER PF	3		3HL10060	3HL10060	LEVER LOOP PRESSURE	4
	303MX07040	3MX07040	HOLDER LEADING FEED	3		3HL10070	3HL10070	SPRING,LOOP PRESSURE	4
	303MX07060	3MX07060	GUIDE PF	3		3HL10090	3HL10090	SPRING,LF SHIFT GUIDE	2
	303MX34040	3MX34040	LABEL CAUTION E	3		3HL10120	3HL10120	SPRING,EJECT PULLEY	4
	303MX34060	3MX34060	LABEL CAUTION SET A	5	⊙	3HL10140	3HL10140	PULLEY LOOP	4
	303MX94050	3MX94050	PARTS SOLENOID LOOP SP	2		3HL22160	3HL22160	PULLEY REAR SUPPORT	3
	36211110	36211110	PULLEY,LEADING FEED ADF	3		5MVL177DN001	2FB06810	RING STOPPER 4	3
	36211500	36211500	GEAR,LEADING FEED JOINT	3		5MVM176DN026	2A806030	BUSH FEED /A-49 FEED A4	3
	3BC07130	3BC07130	ONE-WAY CLUTCH 6	3		5MVX111DN003	2A806250	RING STOPPER /A-49 FEED A4	2,3,4
	3BR07040	3BR07040	PULLEY,PAPER FEED	3		60606101	60606101	BUSHING FEED BACK ROLLER	3,4
	3CY07080	3CY07080	BUSHING 6	2,4	⊙	65907210	65907210	GEAR 20,CASSETTE	1

• Parts with "⊙" indicate regular maintenance parts.

Part.No.	Alternative.	Description	Fig.No.
68721640	68721640	PULLEY 20,DUPLEX CONVEYING	3
7YZM390011++H01	YZ050250	ACCESS.CLAMP	2
7YZM610008++H01	YZ037940	ACCESS.SADDLE	2
7YZM610010++H01	YZ042990	ACCESS.SADDLE	3
M2104260	M2104260	EDGING,EDS-0607U(KITAGAWA)	2
M2105030	M2105030	NYLON CLAMP 5N,NK-5N	2
M2607010	M2607010	BINDING BAND,PLT1M	2,3,4
M70AK010	M70AK010	WIRE SADDLE,RMS-1V0(TAKEUCHI)	2

• Parts with "⊙" indicate regular maintenance parts.



## KYOCERA MITA EUROPE B.V.

Bloemlaan 4, 2132 NP Hoofddorp,  
The Netherlands  
Phone: +31.20.654.0000  
Home page: <http://www.kyoceramita-europe.com>  
Email: [info@kyoceramita-europe.com](mailto:info@kyoceramita-europe.com)

KYOCERA MITA NEDERLAND B.V.  
Beechavenue 25, 1119RA Schiphol-Rijk  
The Netherlands  
Phone: +31.20.58.77.200

KYOCERA MITA (UK) LTD  
8 Beacontree Plaza  
Gillette Way Reading Berks RG2 0BS,  
U.K.  
Phone: +44.1189.311.500

KYOCERA MITA ITALIA S.p.A.  
Via G. Verdi, 89 / 91, 20063 Cernusco s/N  
Milano, Italy  
Phone: +39.02.92179.1

S.A. KYOCERA MITA BELGIUM N.V.  
Sint-Martinusweg 199-201, 1930 Zaventem,  
Belgium  
Phone: +32.2.720.9270

KYOCERA MITA FRANCE S.A.  
Parc Les Algorithmes Saint Aubin  
91194 GIF-SUR-YVETTE,  
France  
Phone: +33.1.6985.2600

KYOCERA MITA ESPAÑA S.A.  
Edificio Kyocera, Avda de Manacor No. 2,  
28290 Las Matas (Madrid),  
Spain  
Phone: +34.91.631.8392

KYOCERA MITA FINLAND OY  
Atomitie 5C, 00370 Helsinki,  
Finland  
Phone: +358.9.4780.5200

KYOCERA MITA (SCHWEIZ)  
Hohlstrasse 614, 8048 Zürich  
Switzerland  
Phone: +41.44.908.4949

KYOCERA MITA DEUTSCHLAND GMBH  
Otto-Hahn-Str. 12 D-40670 Meerbusch,  
Germany  
Phone: +49.2159.918.0

KYOCERA MITA GMBH AUSTRIA  
Eduard-Kittenberger-Gasse 95,  
1230 Wien,  
Austria  
Phone: +43.1.86338

KYOCERA MITA SVENSKA AB  
Esbogatan 16B 164 75 Kista,  
Sweden  
Phone: +46.8.546.55000

KYOCERA MITA NORGE  
Postboks 150 Oppsal, NO 0619 Oslo  
Olaf Helsetsvei 6, NO 0694 Oslo,  
Norway  
Phone: +47.22.62.73.00

KYOCERA MITA DANMARK A/S  
Ejby Industrivej 1, DK-2600 Glostrup,  
Denmark  
Phone: +45.7022.3880

KYOCERA MITA PORTUGAL LDA.  
Rua do Centro Cultural, 41 (Alvalade) 1700-106 Lisboa,  
Portugal  
Phone: +351.21.843.6780

KYOCERA MITA SOUTH AFRICA (PTY) LTD.  
49 Kyalami Boulevard,  
Kyalami Business Park Midrand,  
South Africa  
Phone: +27.(0)11.540.2600

## KYOCERA MITA AMERICA, INC.

Headquarters:  
225 Sand Road,  
Fairfield, New Jersey 07004-0008,  
U.S.A.  
Phone: (973) 808-8444

KYOCERA MITA AUSTRALIA PTY. LTD.  
Level 3, 6-10 Talavera Road, North Ryde,  
N.S.W. 2113 Australia  
Phone: (02) 9888-9999

KYOCERA MITA NEW ZEALAND LTD.  
1-3 Parkhead Place, Albany  
P.O. Box 302 125 NHPC, Auckland,  
New Zealand  
Phone: (09) 415-4517

KYOCERA MITA (THAILAND) CORP., LTD.  
9/209 Ratchada-Prachachem Road,  
Bang Sue, Bangkok 10800, Thailand  
Phone: (02) 586-0333

KYOCERA MITA SINGAPORE PTE LTD.  
121 Genting Lane, 3rd Level,  
Singapore 349572  
Phone: 67418733

KYOCERA MITA HONG KONG LIMITED  
16/F., Mita Centre,  
552-566, Castle Peak Road,  
Tsuen Wan, New Territories,  
Hong Kong  
Phone: 24297422

KYOCERA MITA TAIWAN Corporation.  
6F., No.37, Sec. 3, Minquan E. Rd.,  
Zhongshan Dist., Taipei 104, Taiwan R.O.C.  
Phone: (02) 25076709

## KYOCERA MITA Corporation

2-28, 1-chome, Tamatsukuri, Chuo-ku  
Osaka 540-8585, Japan  
Phone: (06) 6764-3555  
<http://www.kyoceramita.com>

## KYOCERA MITA AMERICA, INC.

### **Headquarters:**

225 Sand Road,  
Fairfield, New Jersey 07004-0008  
TEL : (973) 808-8444  
FAX : (973) 882-6000

### **New York Branch:**

1410 Broadway 23rd floor  
New York, NY 10018  
TEL : (917) 286-5400  
FAX : (917) 286-5402

### **Northeastern Region:**

225 Sand Road,  
Fairfield, New Jersey 07004-0008  
TEL : (973) 808-8444  
FAX : (973) 882-4401

### **Midwestern Region:**

201 Hansen Court Suite 119  
Wood Dale, Illinois 60191  
TEL : (630) 238-9982  
FAX : (630) 238-9487

### **Western Region:**

14101 Alton Parkway,  
Irvine, California 92618-7006  
TEL : (949) 457-9000  
FAX : (949) 457-9119

### **Southeastern Region:**

1500 Oakbrook Drive,  
Norcross, Georgia 30093  
TEL : (770) 729-9786  
FAX : (770) 729-9873

### **Southwestern Region:**

2825 West Story Road,  
Irving, Texas 75038-5299  
TEL : (972) 550-8987  
FAX : (972) 252-9786

### **National Operation Center & National Training Center:**

2825 West Story Road,  
Irving, Texas 75038-5299  
TEL : (972) 659-0055  
FAX : (972) 570-5816

### **Latin America Division:**

8240 N.W. 52nd. Terrace Dawson Building,  
Suite 108 Miami, Florida 33166  
TEL : (305) 421-6640  
FAX : (305) 421-6666

## KYOCERA MITA CANADA, LTD.

6120 Kestrel Road, Mississauga,  
Ontario L5T 1S8, Canada  
TEL : (905) 670-4425  
FAX : (905) 670-8116

## KYOCERA MITA MEXICO, S.A. DE C.V.

Av. 16 de Septiembre #407  
Col. Santa Inés,  
Azcapotzalco México,  
D.F. 02130, México  
TEL : (55) 5383-2741  
FAX : (55) 5383-7804

©2010 KYOCERA MITA Corporation

<http://www.kyoceramita.com>

 **KYOCERA** is a trademark of Kyocera Corporation

Printed in U.S.A.