



FS-6525MFP

FS-6530MFP

PARTS LIST

Published in February 2012
2MWPL070
842MW120
First Edition

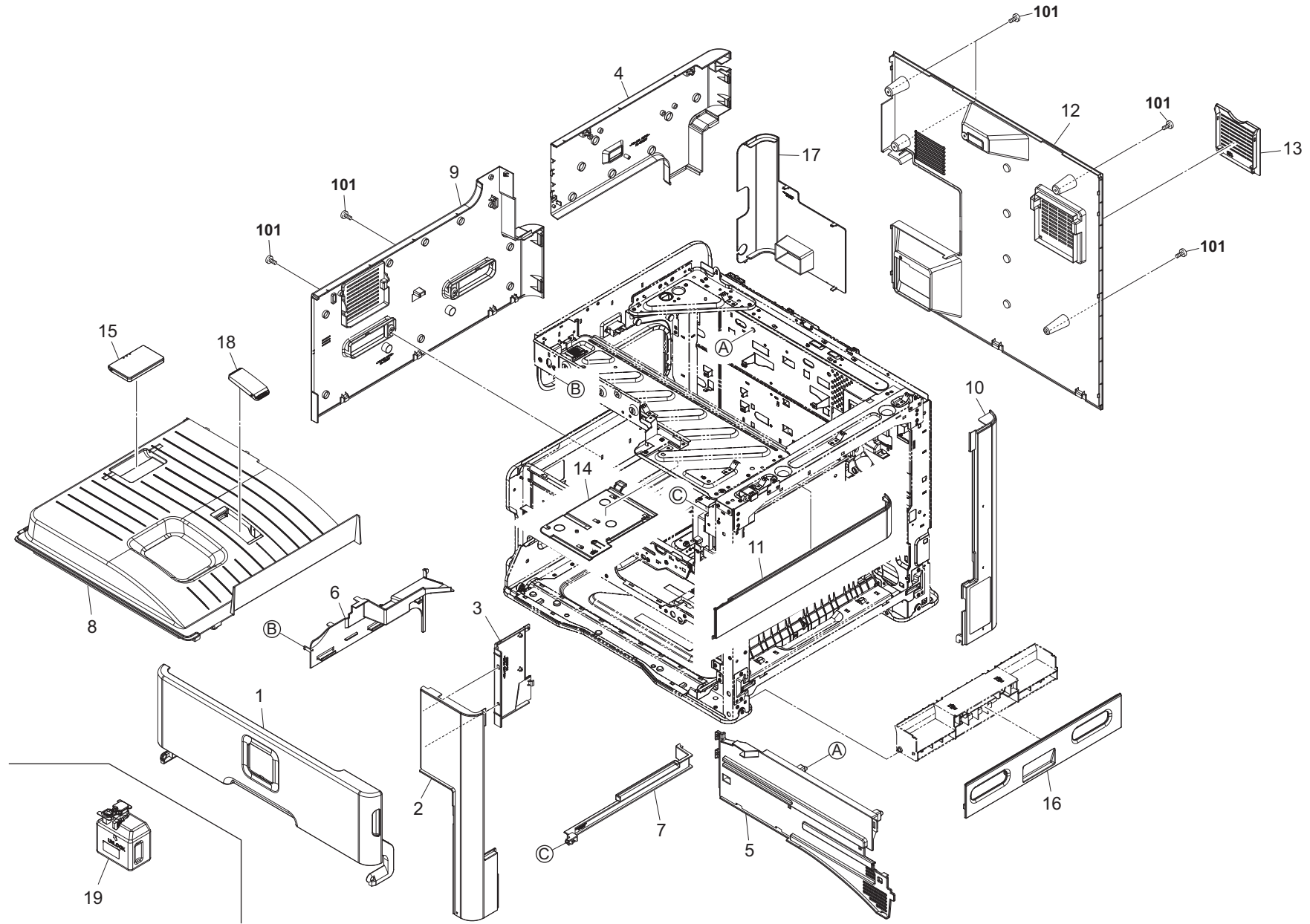


FIG. 1 Covers

2MX/2MW

Ref. No.	Part.No.	Alternative.	Description	Notes	Quantity		
					120	230	240
1	302MW94010	2MW94010	PARTS COVER FRONT ASSY 30 E SP	30ppm		1	1
1	302MX94010	2MX94010	PARTS COVER FRONT ASSY 25 E SP	25ppm		1	1
1	302MW94020	2MW94020	PARTS COVER FRONT ASSY 30 J/A SP	30ppm	1		
1	302MX94020	2MX94020	PARTS COVER FRONT ASSY 25 J/A SP	25ppm	1		
2	302K304020	2K304020	COVER FRONT TOP		1	1	1
3	302K304050	2K304050	COVER EXIT FRONT		1	1	1
4	302K394640	2K394640	PARTS COVER LEFT TOP ASSY SP		1	1	1
5	302K304040	2K304040	COVER EXIT REAR		1	1	1
6	302K304180	2K304180	COVER TRAY LEFT		1	1	1
7	302K304190	2K304190	COVER EXIT TOP		1	1	1
8	302K304030	2K304030	COVER TRAY		1	1	1
9	302K304100	2K304100	COVER LEFT LOW		1	1	1
10	302K304060	2K304060	COVER RIGHT REAR		1	1	1
11	302K394580	2K394580	PARTS COVER RIGHT TOP ASSY SP		1	1	1
12	302K394610	2K394610	PARTS COVER REAR ASSY SP		1		
12	302K394650	2K394650	PARTS COVER REAR EUR ASSY SP			1	1
13	302K304200	2K304200	COVER FILTER REAR		1	1	1
14	302K304290	2K304290	COVER EXIT FRONT TOP		1	1	1
15	302H004560	2H004560	STOPPER PAPER		1	1	1
16	302K304070	2K304070	COVER RIGHT LOW		1	1	1
17	302K304170	2K304170	LID CONTROLLER BOX		1	1	1
18	302K304370	2K304370	STOPPER PAPER B		1	1	1
19	302K393130	2K393130	WT-475		1	1	1
101	7BB702308H	BB107060	+TP-FLAT T.T S SCREW 3X8 SR				

•Parts with Ref.No. indicate maintenance parts and the ones without it indicate out of the above.

•Parts with "*" are component parts or sub-assemblies of the assembly appearing immediately above them.
 •Parts with "• •" are component parts or sub-assembly with "*" appearing immediately above them.

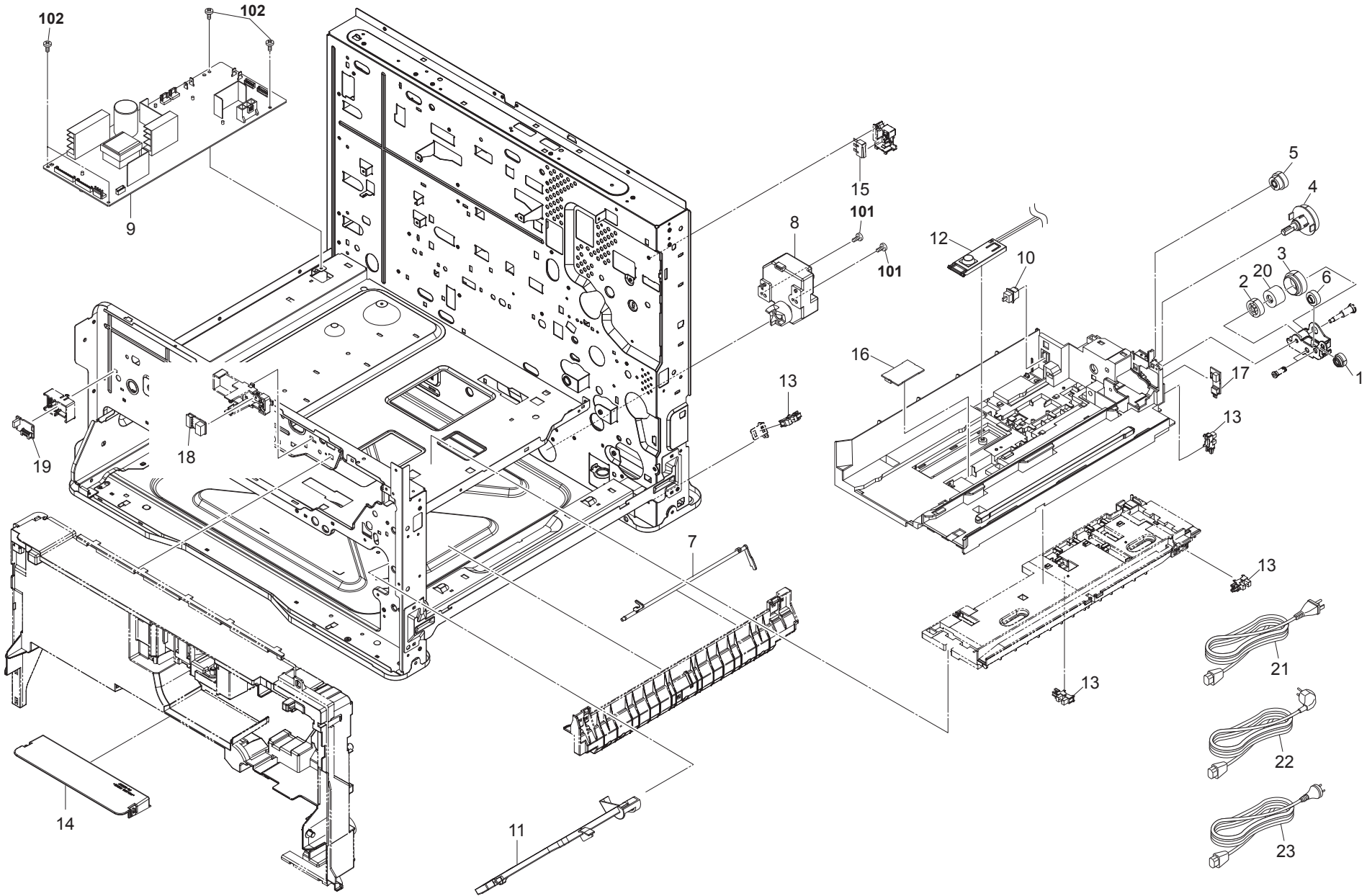


FIG. 2 Frames 1

2MX/2MW

Ref. No.	Part.No.	Alternative.	Description	Notes	Quantity		
					120	230	240
1	302K394260	2K394260	PARTS GEAR CONTAINER Z18L SP		1	1	1
2	302K394270	2K394270	PARTS GEAR CONTAINER Z25L SP		1	1	1
3	302K394280	2K394280	PARTS GEAR CONTAINER Z35R SP		1	1	1
4	302K394290	2K394290	PARTS GEAR CONTAINER Z24L-Z19R SP		1	1	1
5	302K394300	2K394300	PARTS GEAR CONTAINER Z41L SP		1	1	1
6	302K394390	2K394390	PARTS GEAR CONTAINER Z20R SP		1	1	1
7	302K302830	2K302830	ACTUATOR DECK FEED		1	1	1
8	302K394190	2K394190	PARTS MOTOR LIFT ASSY SP		1	1	1
9	302K394110	2K394110	PARTS LVU MAIN 120 SP		1		
9	302K394121	2K394121	PARTS LVU MAIN 200 SP			1	1
10	7SP01000001+H01	SP044290	SW.PUSH		1	1	1
11	302K302810	2K302810	ACTUATOR PAPER EMPTY		1	1	1
12	302KK94070	2KK94070	PARTS CONT SENSOR ASSY SP		1	1	1
13	7NXGP1S173LCH01	NX116910	SENSOR OPT.		4	4	4
14	302K304080	2K304080	COVER INNER LOW		1	1	1
15	7SM010202+++H01	SM044270	SW.MICRO		1	1	1
16	302K394070	2K394070	PARTS PWB RFID ASSY SP		1	1	1
17	302K394090	2K394090	PARTS PWB DEVE CONNECT ASSY SP		1	1	1
18	302K394080	2K394080	PARTS PWB DRUM CONNECT ASSY SP		1	1	1
19	302K394100	2K394100	PARTS PWB HUMIDITY SENSOR ASSY SP		1	1	1
20	302MW31010	2MW31010	TORQUE LIMITER 4000		1	1	1
21	3019527401	19527401	POWER CORD(120)		1		
22	2AR27800	2AR27800	POWER CORD(230)			1	
23	7AAACCAS+10H001	AA063380	AC CORD ASSY AS				1
101	7BB700312H	BB106820	+BIND T.T S SCREW 3X12 SR				
102	7BB700308H	BB105600	+BIND T.T S SCREW 3X8 SR				

•Parts with Ref.No. indicate maintenance parts and the ones without it indicate out of the above.

•Parts with "*" are component parts or sub-assemblies of the assembly appearing immediately above them.
 •Parts with "• •" are component parts or sub-assembly with "*" appearing immediately above them.

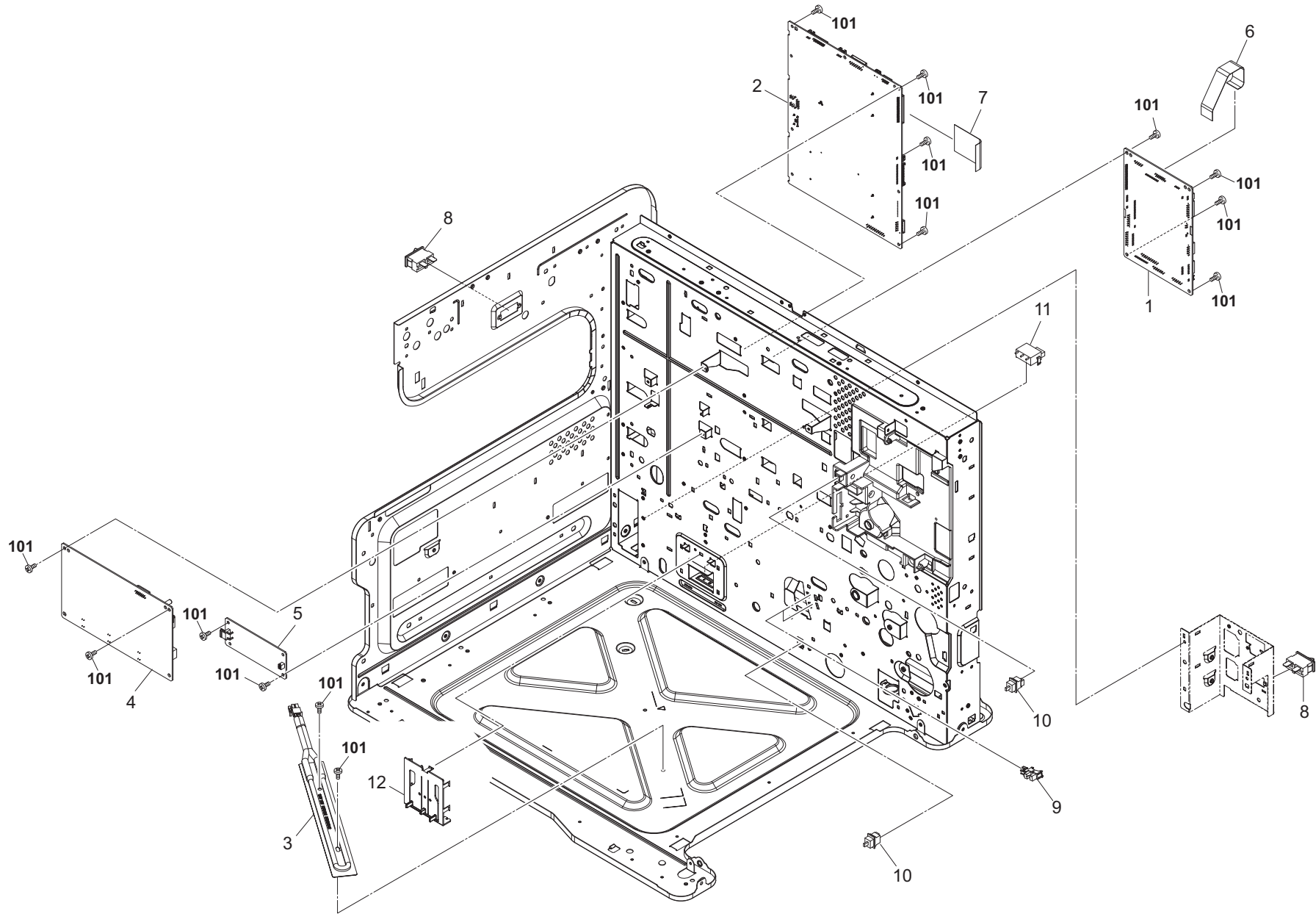


FIG. 3 Frames 2

2MX/2MW

Ref. No.	Part.No.	Alternative.	Description	Notes	Quantity		
					120	230	240
1	302K394040	2K394040	PARTS PWB ENGINE ASSY SP		1	1	1
2	302MW94050	2MW94050	PARTS PWB MAIN ASSY SP		1		1
2	302MW94060	2MW94060	PARTS PWB MAIN ASSY SP EU			1	
3	302K302430	2K302430	HEATER DEHUMIDIFIER 120		1		
3	302K302440	2K302440	HEATER DEHUMIDIFIER 240			1	1
4	302K394140	2K394140	PARTS HVU SP		1	1	1
5	302MW94070	2MW94070	PARTS LVU SUB 100 SP		1		
5	302MW94080	2MW94080	PARTS LVU SUB 200 SP			1	1
6	302K346370	2K346370	FFC ENGINE-HVU		1	1	1
7	302K346380	2K346380	FFC ENGINE-MAIN		1	1	1
8	7SC010105+++H01	SC125000	SW.SEE SAW		2	2	2
9	7NXGP1S173LCH01	NX116910	SENSOR OPT.		2	2	2
10	7SP01000001+H01	SP044290	SW.PUSH		2	2	2
11	5ESP03090001+01	SP000360	PUSH SWITCH 03 SN /SW-192 N		1	1	1
12	302K309410	2K309410	PLATE SIZE DETECTION		1	1	1
101	7BB700308H	BB105600	+BIND T.T S SCREW 3X8 SR				

•Parts with Ref.No. indicate maintenance parts and the ones without it indicate out of the above.

•Parts with "*" are component parts or sub-assemblies of the assembly appearing immediately above them.
 •Parts with "•" are component parts or sub-assembly with "*" appearing immediately above them.

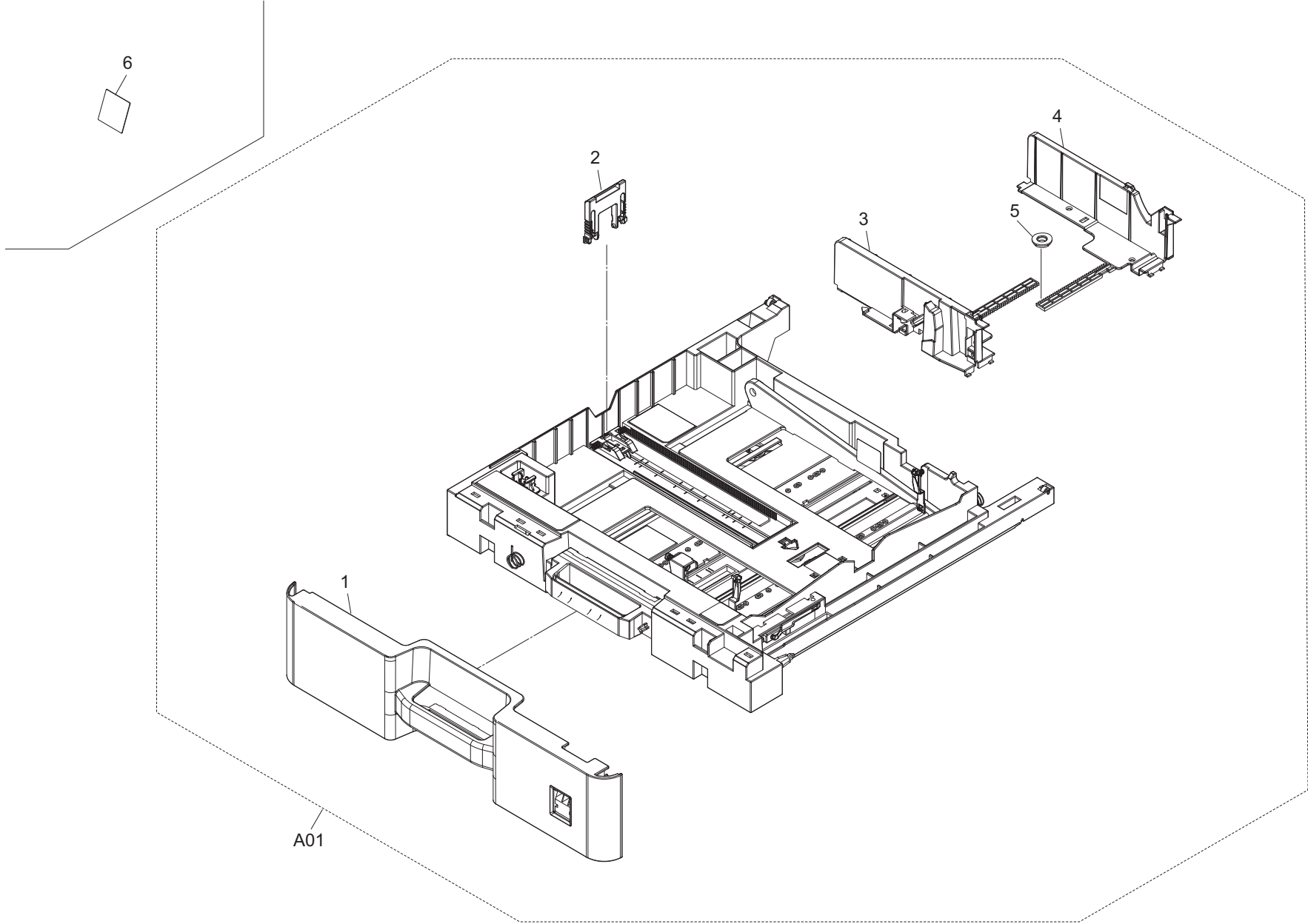


FIG. 4 Paper Cassette

2MX/2MW

Ref. No.	Part.No.	Alternative.	Description	Notes	Quantity		
					120	230	240
A01	302K393172	2K393172	CT-475		1	1	1
1	*302K309080	2K309080	COVER CASSETTE		1	1	1
2	*302K309270	2K309270	CURSOR END		1	1	1
3	*302K309130	2K309130	CURSOR CASSETTE FRONT		1	1	1
4	*302K309120	2K309120	CURSOR CASSETTE REAR		1	1	1
5	*302K394380	2K394380	PARTS GEAR Z18 SP		1	1	1
6	302K334090	2K334090	SHEET CASSETTE C			1	1
6	302K334100	2K334100	SHEET CASSETTE I		1		

•Parts with Ref.No. indicate maintenance parts and the ones without it indicate out of the above.

•Parts with "-" are component parts or sub-assemblies of the assembly appearing immediately above them.
 •Parts with "•" are component parts or sub-assembly with "•" appearing immediately above them.

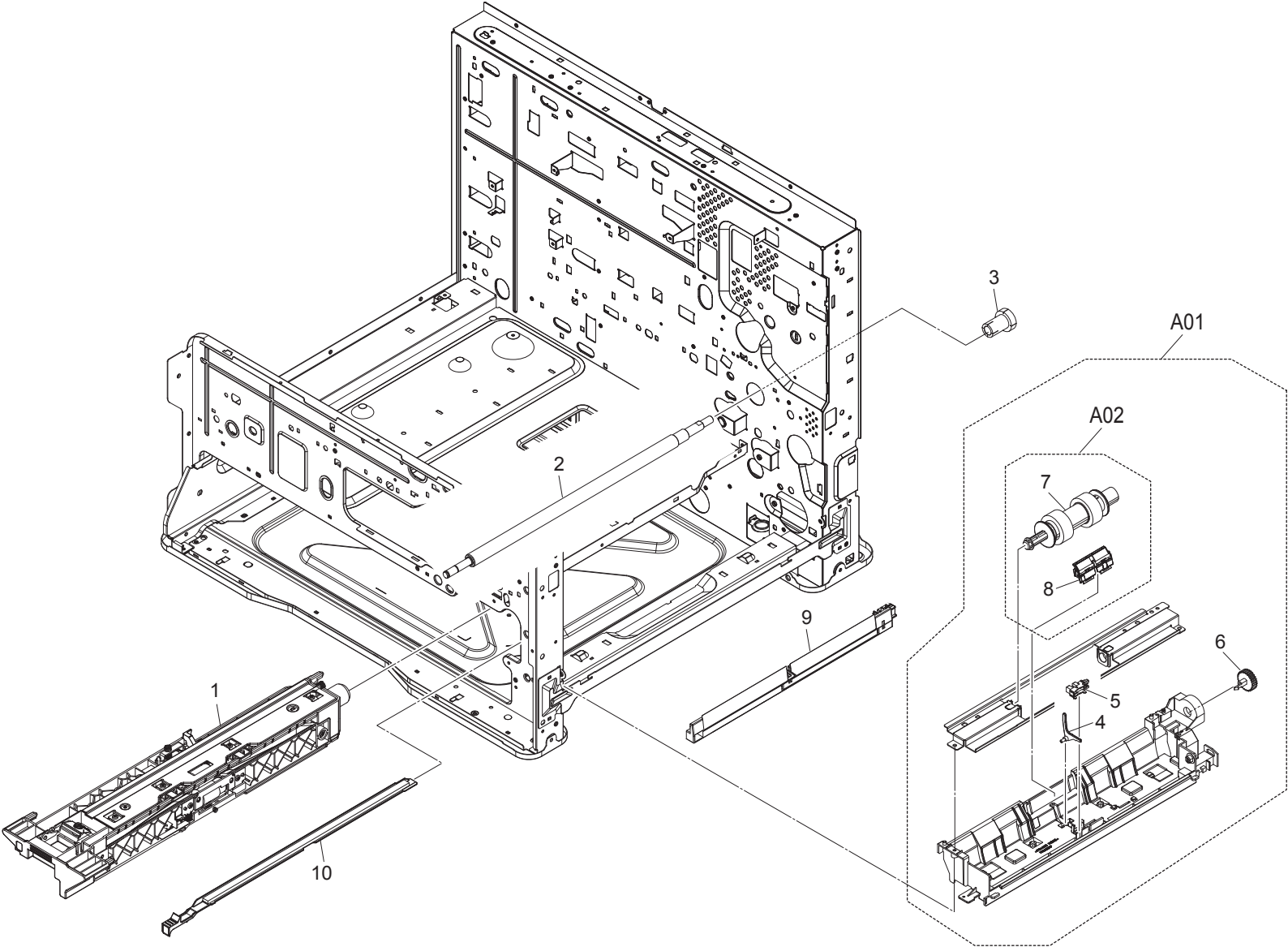


FIG. 5 Paper Feed Section

2MX/2MW

Ref. No.	Part.No.	Alternative.	Description	Notes	Quantity		
					120	230	240
1	302K394480	2K394480	PRIMARY FEED UNIT		1	1	1
2	302K394230	2K394230	PARTS ROLLER REGIST LEFT SP		1	1	1
3	302K394310	2K394310	PARTS GEAR REGIST Z28L-Z18L SP		1	1	1
A01	302K394501	2K394501	PARTS MPF UNIT		1	1	1
4	*302K308020	2K308020	ACTUATOR MPF		1	1	1
5	*7NXGP1S173LCH01	NX116910	SENSOR OPT.		1	1	1
6	*302K394320	2K394320	PARTS GEAR MPF Z28 SP		1	1	1
A02	*302K394621	2K394621	MPF ROLLER-PAD SET		1	1	1
7	**302K394460	2K394460	MPF ROLLER	for customer service only	1	1	1
8	**302K394491	2K394491	SEPARATION PAD	service only	1	1	1
9	302K394540	2K394540	PARTS FEED UNIT ASSY SP		1	1	1
10	302K394450	2K394450	REGIST CLEANER		1	1	1

•Parts with Ref.No. indicate maintenance parts and the ones without it indicate out of the above.

•Parts with "*" are component parts or sub-assemblies of the assembly appearing immediately above them.
 •Parts with "* •" are component parts or sub-assembly with "*" appearing immediately above them.

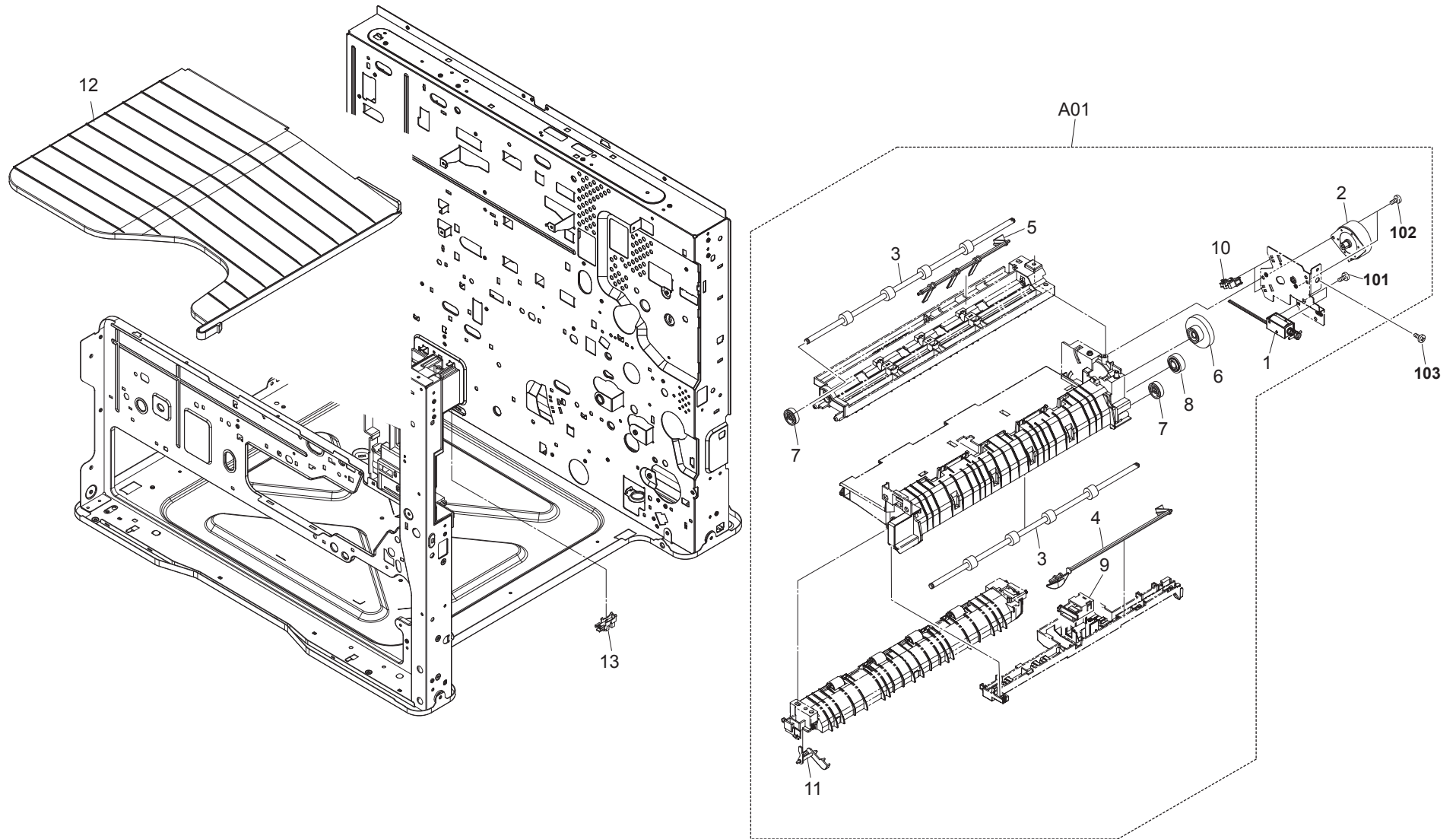


FIG. 6 Exit Section

2MX/2MW

Ref. No.	Part.No.	Alternative.	Description	Notes	Quantity		
					120	230	240
A01	302K394520	2K394520	PARTS EXIT UNIT		1	1	1
1	*302F944090	2F944090	SOLENOID ASSY		1	1	1
2	*302HN44100	2HN44100	MOTOR REVERSE		1	1	1
3	*302K394240	2K394240	PARTS ROLLER EXIT SP		2	2	2
4	*302K328060	2K328060	ACTUATOR EXIT OVERFLOW		1	1	1
5	*302K328070	2K328070	ACTUATOR EXIT UPPER SWITCH		1	1	1
6	*302K394340	2K394340	PARTS GEAR Z74R-Z22S EXIT SP		1	1	1
7	*302K394350	2K394350	PARTS GEAR Z22S EXIT SP		2	2	2
8	*302K394360	2K394360	PARTS GEAR Z25S EXIT INPUT SP		1	1	1
9	*302K394180	2K394180	PARTS SWITCH EXIT PAPER EMPTY SP		1	1	1
10	*7NXGP1S173LCH01	NX116910	SENSOR OPT.		2	2	2
11	*302K328160	2K328160	ARM ACTUATOR EXIT		1	1	1
12	302K328300	2K328300	TRAY EJECT		1	1	1
13	7NXGP1S173LCH01	NX116910	SENSOR OPT.		1	1	1
101	7BB000303H	BB107000	+BIND M SCREW 3X3				
102	7BB700308H	BB105600	+BIND T.T S SCREW 3X8 SR				
103	7BB702308H	BB107060	+TP-FLAT T.T S SCREW 3X8 SR				

•Parts with Ref.No. indicate maintenance parts and the ones without it indicate out of the above.

•Parts with "*" are component parts or sub-assemblies of the assembly appearing immediately above them.
 •Parts with "* •" are component parts or sub-assembly with "*" appearing immediately above them.

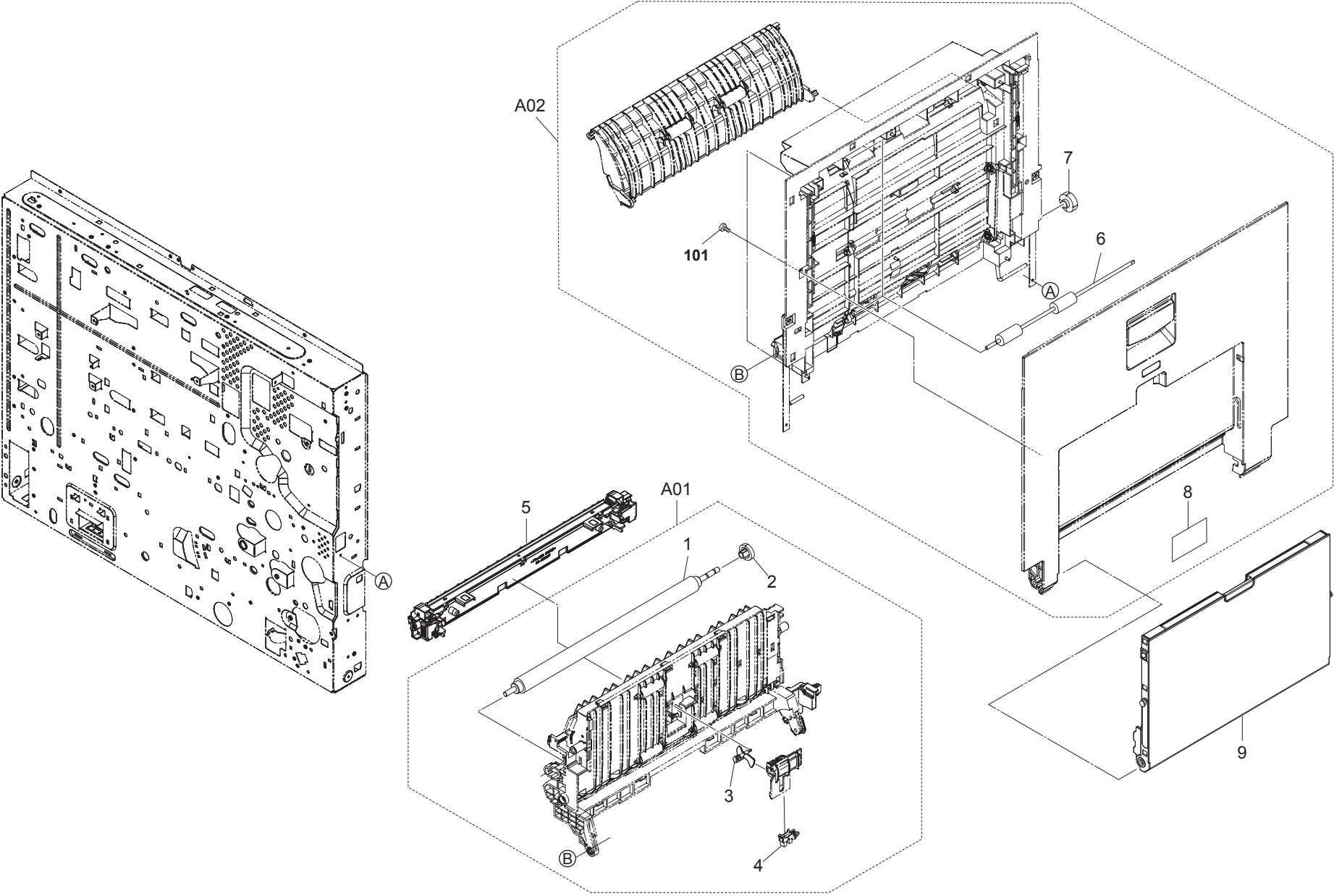


FIG. 7 Paper Conveying Section

2MX/2MW

Ref. No.	Part.No.	Alternative.	Description	Notes	Quantity		
					120	230	240
A01	302K394510	2K394510	PARTS CONVEYING UNIT		1	1	1
1	+302K394220	2K394220	PARTS ROLLER REGIST RIGHT SP		1	1	1
2	+302K394330	2K394330	PARTS GEAR REGIST Z24R SP		1	1	1
3	+302K329040	2K329040	ACTUATOR DU		1	1	1
4	+7NXGP1S173LCH01	NX116910	SENSOR OPT.		1	1	1
5	302K393090	2K393090	TR-475		1	1	1
A02	302K394531	2K394531	PARTS RIGHT COVER UNIT		1	1	1
6	+302K394250	2K394250	PARTS ROLLER DU SP		3	3	3
7	+302K394400	2K394400	PARTS GEAR DU Z27L SP		1	1	1
8	+302K334480	2K334480	LABEL COVER CAUTION 9NATIONS		1	1	1
9	302K394470	2K394470	PARTS MPF TABLE ASSY SP		1	1	1
101	7BB200308H	BB105660	+BIND T.T.P SCREW 3X8				

•Parts with Ref.No. indicate maintenance parts and the ones without it indicate out of the above.

•Parts with "*" are component parts or sub-assemblies of the assembly appearing immediately above them.
 •Parts with "•" are component parts or sub-assembly with "*" appearing immediately above them.

FIG. 8 Scanner Section

2MX/2MW

Ref. No.	Part.No.	Alternative.	Description	Notes	Quantity		
					120	230	240
1	302K304121	2K304121	COVER ISU FRONT		1	1	1
2	302K304131	2K304131	COVER ISU LEFT		1	1	1
3	302K394590	2K394590	PARTS COVER ISU RIGHT ASSY A SP		1	1	1
4	302K304150	2K304150	COVER ISU REAR		1	1	1
5	302K394210	2K394210	PARTS MOTOR ISU SP		1	1	1
6	302K393152	2K393152	PARTS ISU		1	1	1
7	302K317250	2K317250	SWITCH RELEASE		1	1	1
8	302K317350	2K317350	GEAR Z54		1	1	1
9	302K394370	2K394370	PARTS GEAR Z18-Z63R SP		1	1	1
10	302K394560	2K394560	PARTS CONTACT-GLASS ASSY(I) SP		1		
10	302K394550	2K394550	PARTS CONTACT-GLASS ASSY(C) SP			1	1
11	302K393160	2K393160	PARTS MOUNT LED ASSY		1	1	1
12	7NXGP1S173LCH01	NX116910	SENSOR OPT.		2	2	2
13	302K346410	2K346410	FFC MAIN-CCD		1	1	1
14	302K346400	2K346400	FFC MAIN-LED LAMP		1	1	1
15	302K317172	2K317172	GUIDE FFC LED C		1	1	1
16	302K317791	2K317791	SHEET FFC LED		1	1	1
17	302H044110	2H044110	SENSOR ORIGINAL		1	1	1
101	7BB702308H	BB107060	+TP-FLAT T.T S SCREW 3X8 SR				
102	7BB606308H	BB105280	+PAN M SCREW WITH SW W 3X8 R				
103	7BB700308H	BB105600	+BIND T.T S SCREW 3X8 SR				

•Parts with Ref.No. indicate maintenance parts and the ones without it indicate out of the above.

•Parts with "*" are component parts or sub-assemblies of the assembly appearing immediately above them.
 •Parts with "•" are component parts or sub-assembly with "*" appearing immediately above them.

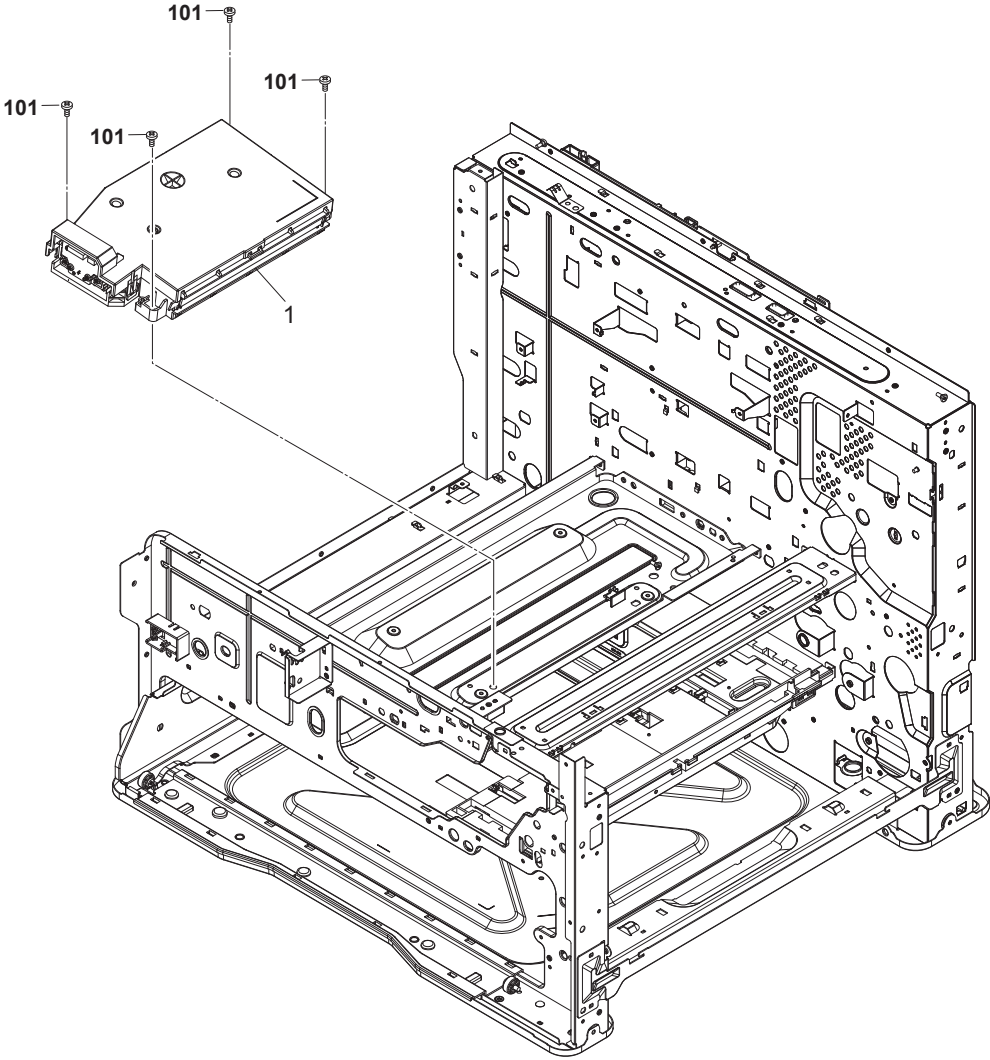


FIG. 9 Laser Scanner Section

2MX/2MW

Ref. No.	Part.No.	Alternative.	Description	Notes	Quantity		
					120	230	240
1	302K393071	2K393071	LK-475		1	1	1
101	7BB702308H	BB107060	+TP-FLAT T.T S SCREW 3X8 SR				

•Parts with Ref.No. indicate maintenance parts and the ones without it indicate out of the above.

•Parts with "*" are component parts or sub-assemblies of the assembly appearing immediately above them.
 •Parts with "• •" are component parts or sub-assembly with "*" appearing immediately above them.

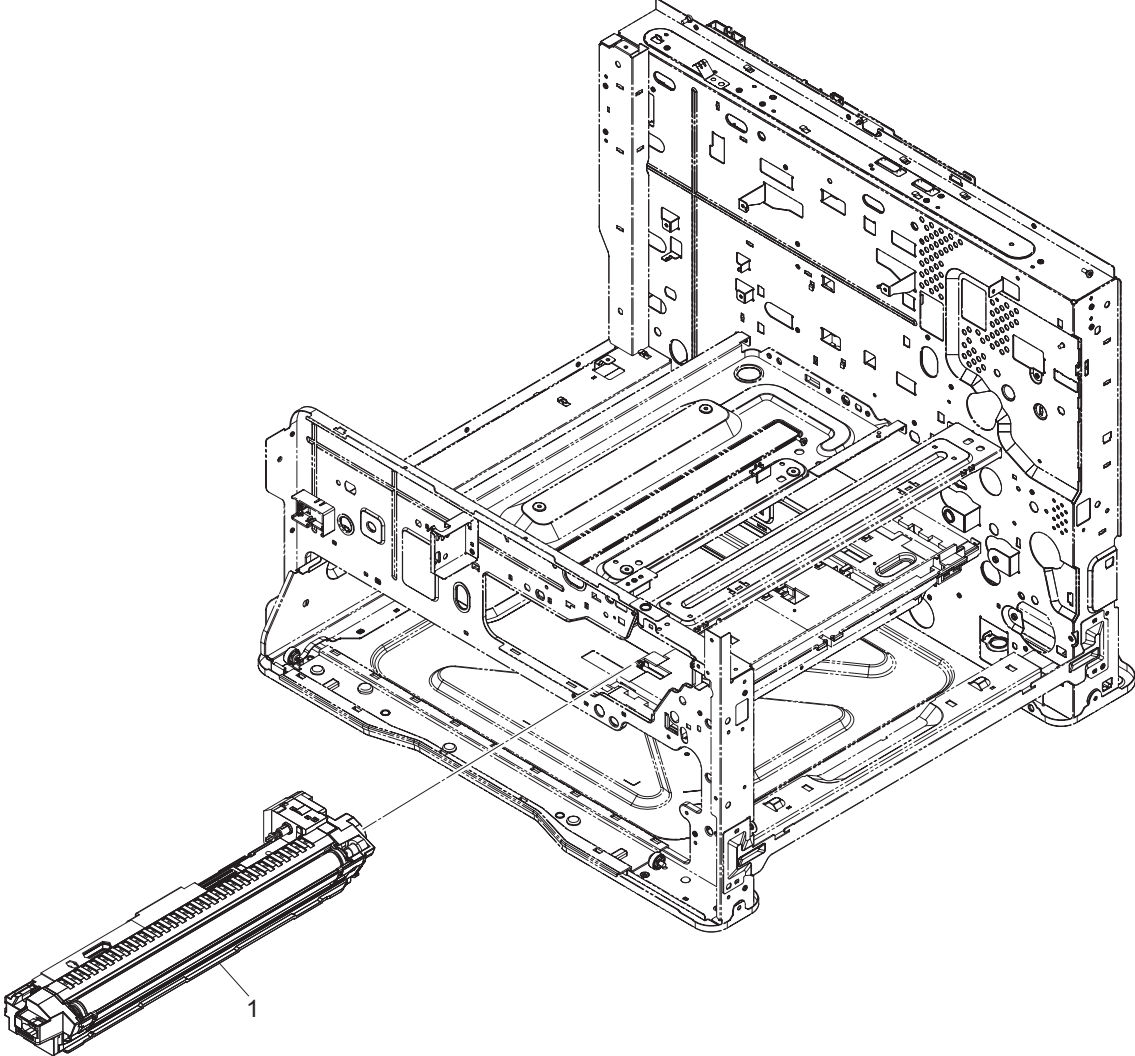


FIG. 10 Developing Section

2MX/2MW

Ref. No.	Part.No.	Alternative.	Description	Notes	Quantity		
					120	230	240
1	302K393040	2K393040	DV-475		1	1	1

•Parts with Ref.No. indicate maintenance parts and the ones without it indicate out of the above.

•Parts with "*" are component parts or sub-assemblies of the assembly appearing immediately above them.
 •Parts with "•" are component parts or sub-assembly with "*" appearing immediately above them.

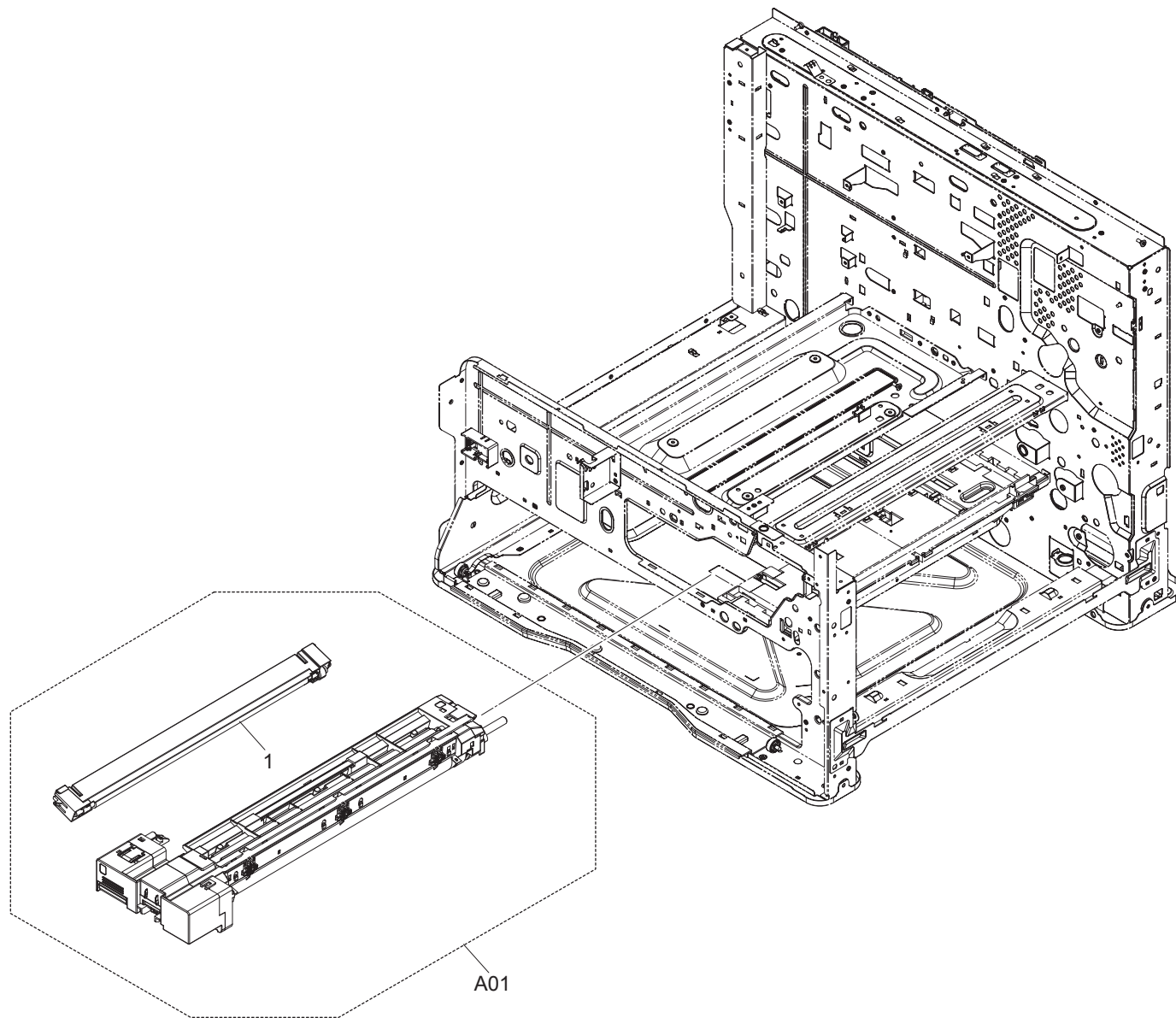


FIG. 11 Image Formation Section

2MX/2MW

Ref. No.	Part.No.	Alternative.	Description	Notes	Quantity		
					120	230	240
A01	302K393030	2K393030	DK-475		1	1	1
1	*302K393140	2K393140	MC-475		1	1	1

•Parts with Ref.No. indicate maintenance parts and the ones without it indicate out of the above.

•Parts with "-" are component parts or sub-assemblies of the assembly appearing immediately above them.
 •Parts with "• •" are component parts or sub-assembly with "-" appearing immediately above them.

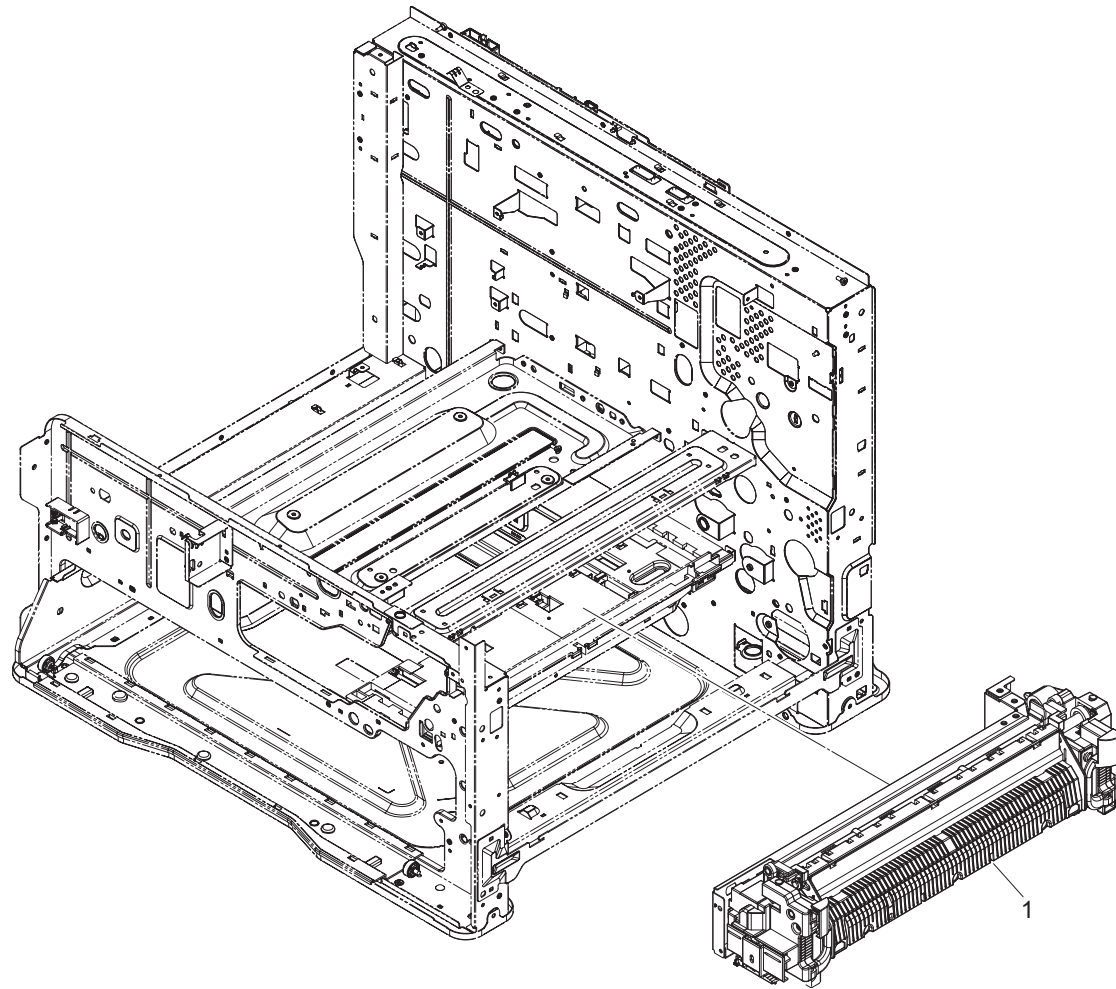


FIG. 12 Fuser Section

2MX/2MW

Ref. No.	Part.No.	Alternative.	Description	Notes	Quantity		
					120	230	240
1	302K393111	2K393111	FK-475(U)		1		
1	302K393121	2K393121	FK-475(E)			1	1

•Parts with Ref.No. indicate maintenance parts and the ones without it indicate out of the above.

•Parts with "*" are component parts or sub-assemblies of the assembly appearing immediately above them.
 •Parts with "•" are component parts or sub-assembly with "*" appearing immediately above them.

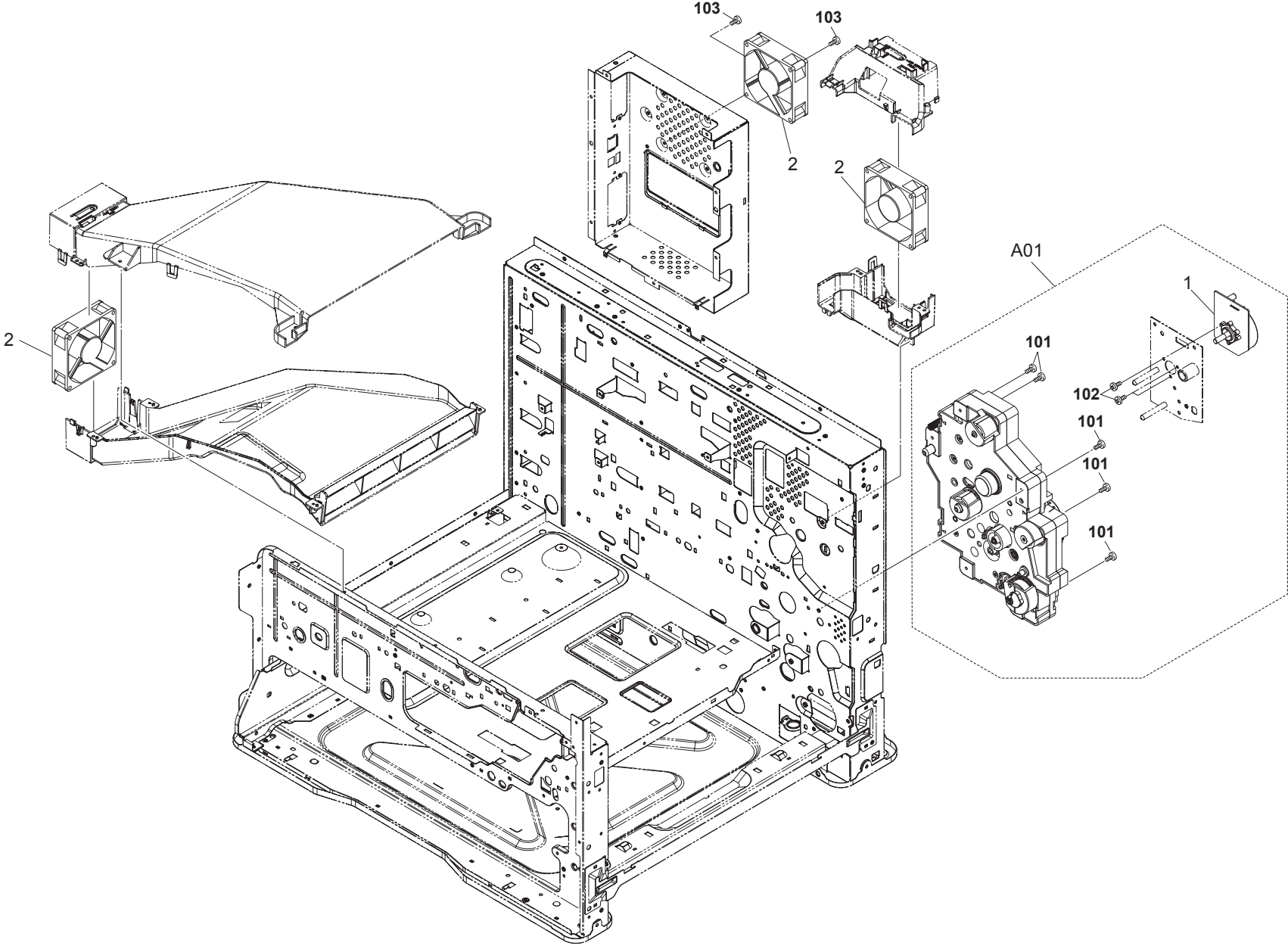


FIG. 13 Drive Section

2MX/2MW

Ref. No.	Part.No.	Alternative.	Description	Notes	Quantity		
					120	230	240
A01	302K393080	2K393080	DR-475		1	1	1
1	*302K394201	2K394201	PARTS MOTOR-BL W30 SP		1	1	1
2	302HN44010	2HN44010	FAN MOTOR		3	3	3
101	7BB700312H	BB106820	+BIND T.T S SCREW 3X12 SR				
102	7BB000304H	BB105720	+BIND M SCREW 3X4				
103	7BB700330H	BB106840	+BIND T.T S SCREW 3X30 SR				

•Parts with Ref.No. indicate maintenance parts and the ones without it indicate out of the above.

•Parts with "*" are component parts or sub-assemblies of the assembly appearing immediately above them.
 •Parts with "•" are component parts or sub-assembly with "*" appearing immediately above them.

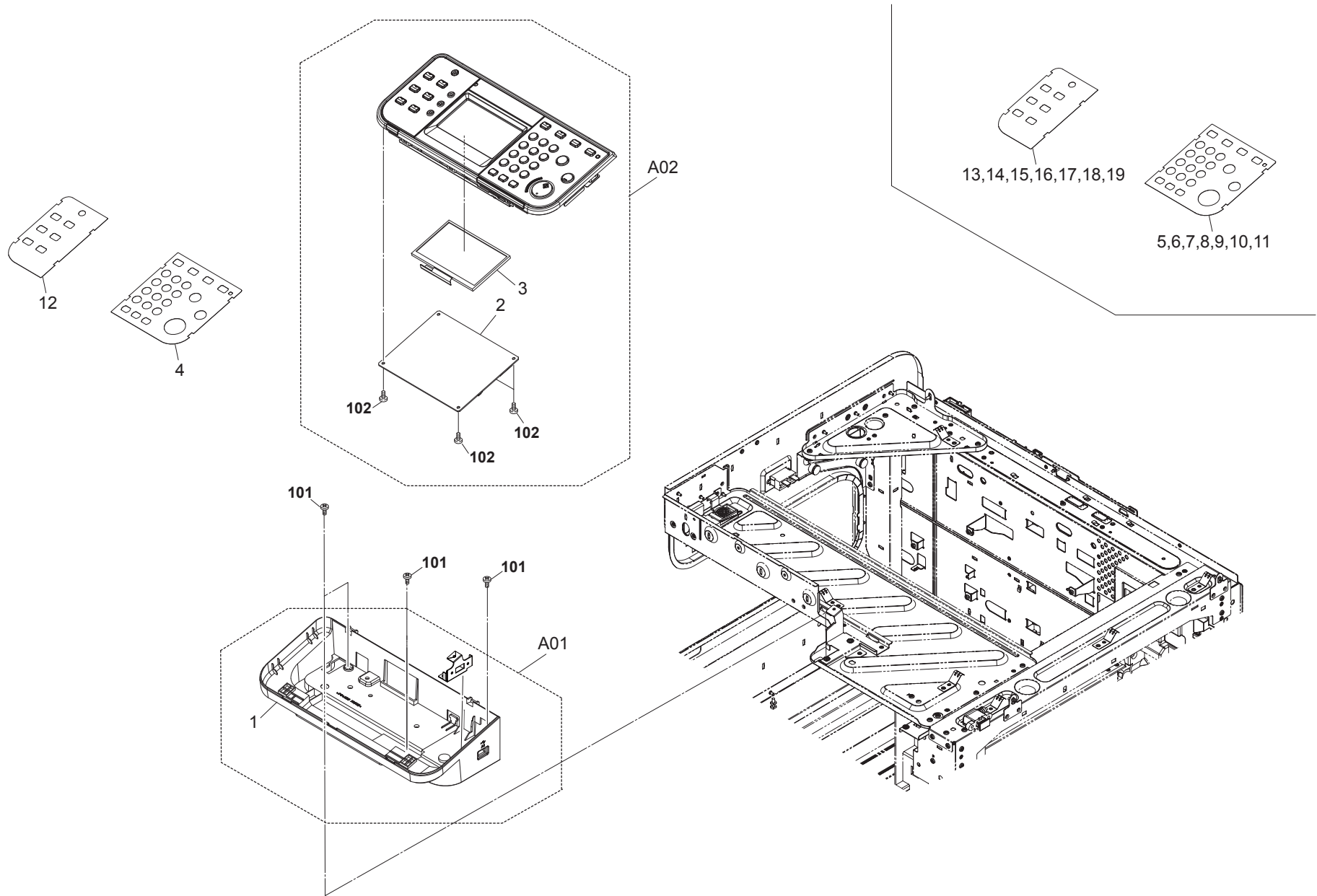


FIG. 14 Operation Section

2MX/2MW

Ref. No.	Part.No.	Alternative.	Description	Notes	Quantity		
					120	230	240
A01	302K394870	2K394870	PARTS COVER OPE LOW SET SP		1	1	1
1	+302K305022	2K305022	COVER OPERATION LOW		1	1	1
A02	302MW94100	2MW94100	PARTS OPERATION UNIT SP		1	1	1
2	+302MW94120	2MW94120	PARTS PWB PANEL MAIN ASSY SP		1	1	1
3	+302K394170	2K394170	PARTS LCD COLOR SP		1	1	1
4	302K305310	2K305310	SHEET OPERATION RIGHT E		1	1	1
5	302K305350	2K305350	SHEET OPERATION RIGHT G			1	
6	302K305360	2K305360	SHEET OPERATION RIGHT F		1	1	
7	302K305370	2K305370	SHEET OPERATION RIGHT I			1	
8	302K305380	2K305380	SHEET OPERATION RIGHT S		1	1	
9	302K305390	2K305390	SHEET OPERATION RIGHT P(B)		1	1	
10	302K305400	2K305400	SHEET OPERATION RIGHT N			1	
11	302K305410	2K305410	SHEET OPERATION RIGHT R			1	
12	302MW05010	2MW05010	SHEET OPERATION LEFT E		1	1	1
13	302MW05030	2MW05030	SHEET OPERATION LEFT G			1	
14	302MW05040	2MW05040	SHEET OPERATION LEFT F		1	1	
15	302MW05050	2MW05050	SHEET OPERATION LEFT I			1	
16	302MW05060	2MW05060	SHEET OPERATION LEFT S		1	1	
17	302MW05070	2MW05070	SHEET OPERATION LEFT P(B)		1	1	
18	302MW05080	2MW05080	SHEET OPERATION LEFT N			1	
19	302MW05090	2MW05090	SHEET OPERATION LEFT R			1	
101	7BB702308H	BB107060	+TP-FLAT T.T S SCREW 3X8 SR				
102	7BB700308H	BB105600	+BIND T.T S SCREW 3X8 SR				

•Parts with Ref.No. indicate maintenance parts and the ones without it indicate out of the above.

•Parts with "-" are component parts or sub-assemblies of the assembly appearing immediately above them.
 •Parts with "•" are component parts or sub-assembly with "-" appearing immediately above them.

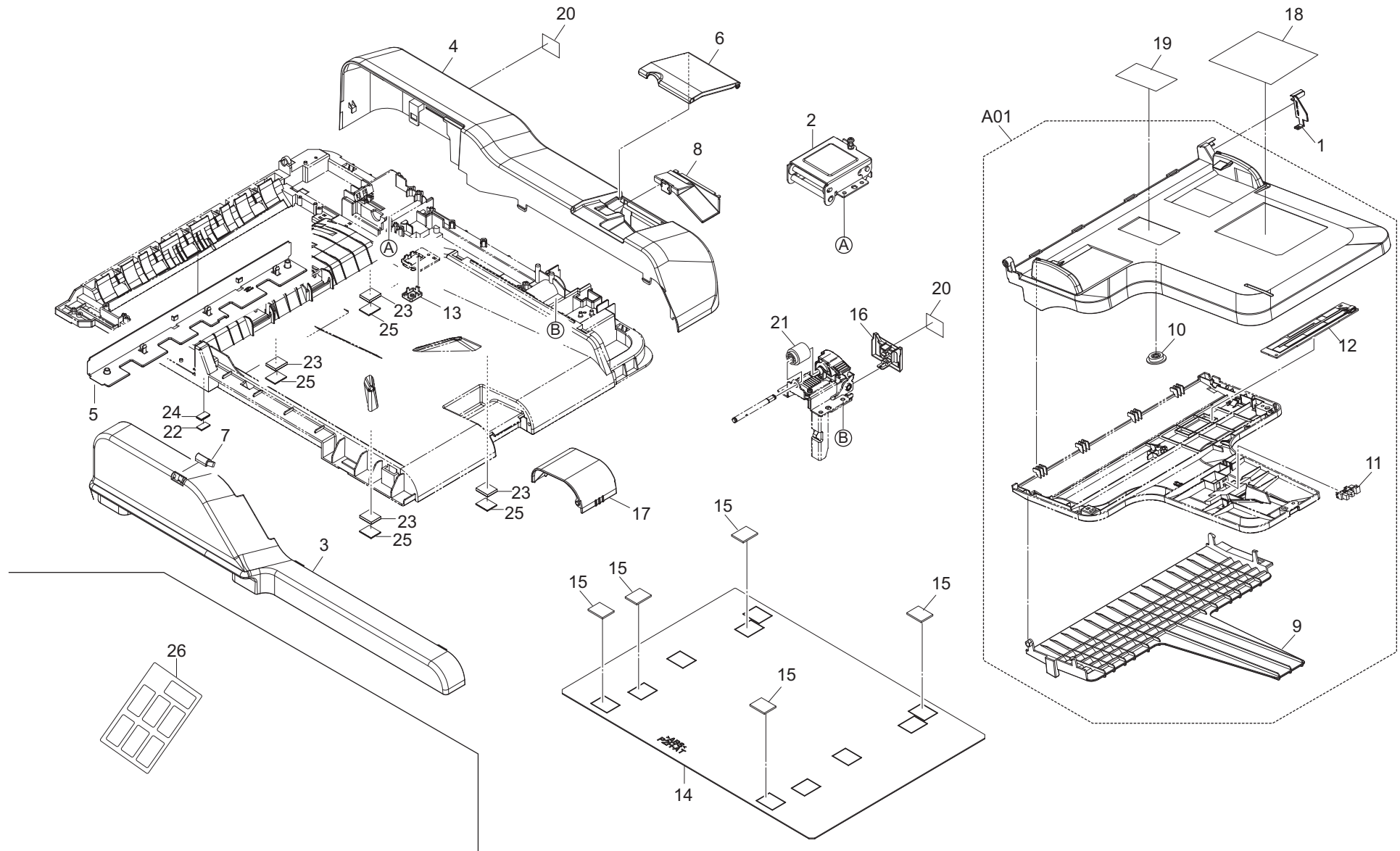


FIG. 15 Document Processor1

2MX/2MW

Ref. No.	Part.No.	Alternative.	Description	Notes	Quantity		
					120	230	240
1	303LL06100	3LL06100	COVER TABLE WIRE		1	1	1
2	303M802020	3M802020	LEFT HINGE		1	1	1
3	303M804011	3M804011	COVER FRONT		1	1	1
4	303M804020	3M804020	COVER REAR		1	1	1
5	303M804040	3M804040	COVER LEFT		1	1	1
6	303M804060	3M804060	LID REAR COVER		1	1	1
7	303M804070	3M804070	COVER LED		1	1	1
8	303M804080	3M804080	LID INNER COVER		1	1	1
A01	303M894060	3M894060	PARTS TABLE ASSY SP		1	1	1
9	*303M806050	3M806050	TRAY LOOP		1	1	1
10	*65907210	65907210	GEAR 20,CASSETTE		1	1	1
11	*303M894260	3M894260	PARTS SENSOR OPT SP		1	1	1
12	*303M894270	3M894270	PARTS PWB SIZE DETECTION ASSY SP		1	1	1
13	3HL02240	3HL02240	PUSH SW DP		1	1	1
14	303JC04200	3JC04200	PLATE ORIGINAL		1	1	1
15	303MX02021	3MX02021	CUSHION ORIGINAL MAT A		5	5	5
16	303M804090	3M804090	COVER HINGE		1	1	1
17	303M804050	3M804050	STOPPER EJECT		1	1	1
18	303M834111	3M834111	LABEL PAPER SET CAUTION ENG		1	1	1
19	303H605110	3H605110	LABEL MSP A		1	1	1
20	303M834070	3M834070	LABEL HINGE CAUTION		2	2	2
21	3AK20130	3AK20130	GEAR,WORM MAIN TRAY		1	1	1
22	303J902370	3J902370	CUSHION ORIGINAL MAT		1	1	1
23	303K502080	3K502080	SPONGE ORIGINAL MAT		4	4	4
24	303M802320	3M802320	SPONGE ORIGINAL MAT A		1	1	1
25	303MX02031	3MX02031	CUSHION ORIGINAL MAT B		4	4	4
26	303LL34190	3LL34190	LABEL FACE UP 7NATIONS		1	1	

•Parts with Ref.No. indicate maintenance parts and the ones without it indicate out of the above.

•Parts with "*" are component parts or sub-assemblies of the assembly appearing immediately above them.
 •Parts with "* •" are component parts or sub-assembly with "*" appearing immediately above them.

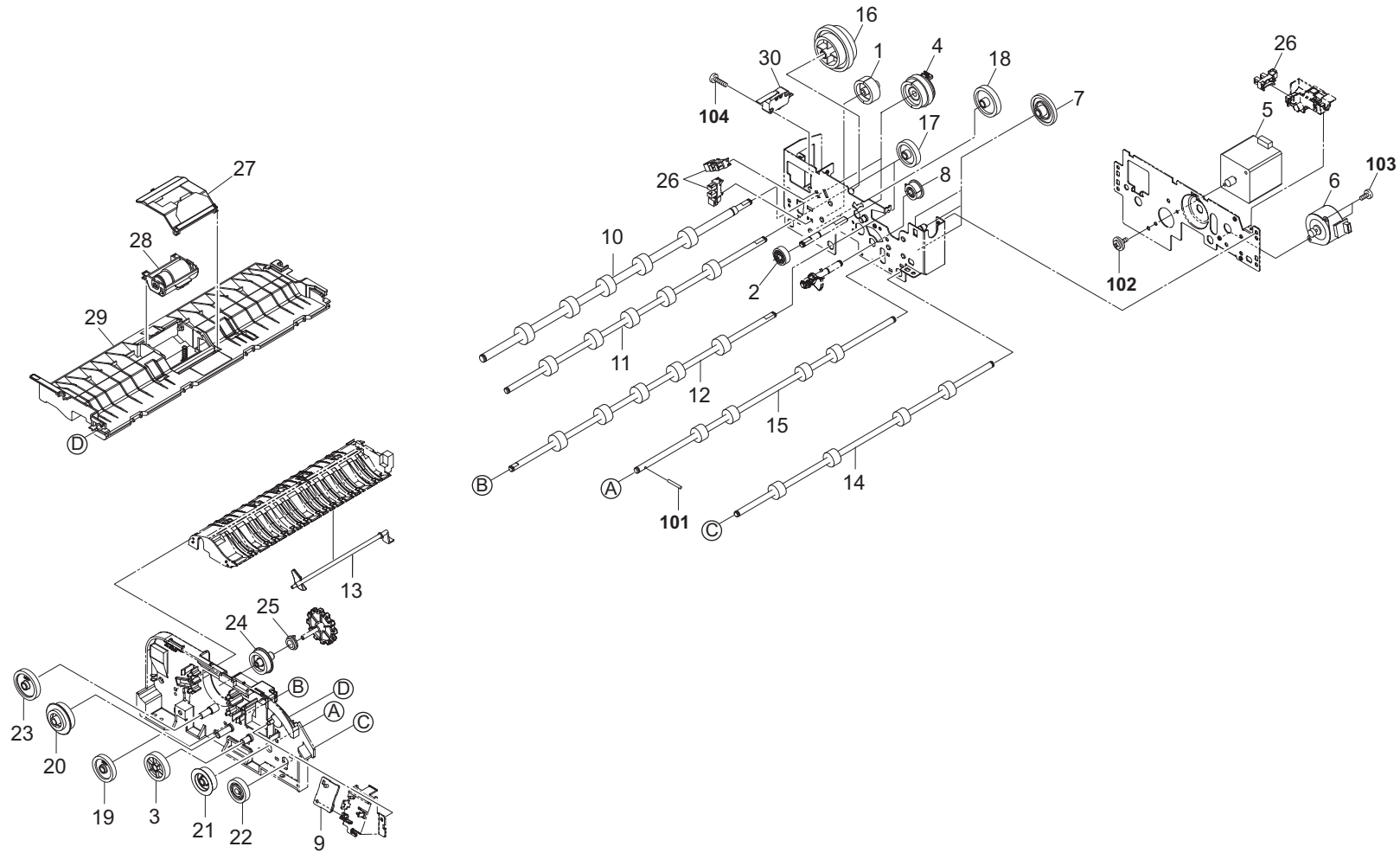


FIG. 16 Document Processor2

2MX/2MW

Ref. No.	Part.No.	Alternative.	Description	Notes	Quantity		
					120	230	240
1	302F914160	2F914160	GEAR Z30H		1	1	1
2	302H731700	2H731700	GEAR Z21 CONT		1	1	1
3	302H731730	2H731730	GEAR Z34L MIDDLE		1	1	1
4	303M894090	3M894090	PARTS CLUTCH 50 Z35R SP		2	2	2
5	302KY44010	2KY44010	MOTOR IMAGE		1	1	1
6	302KY44090	2KY44090	MOTOR ROTARY		1	1	1
7	303H622331	3H622331	GEAR 20/65 IDLE		3	3	3
8	303LL31260	3LL31260	GEAR Z32S LIFT		1	1	1
9	303M894100	3M894100	PARTS PWB LED ASSY SP		1	1	1
10	303M894110	3M894110	PARTS ROLLER REGISTRATION SP		1	1	1
11	303M894120	3M894120	PARTS ROLLER CONVEYING A SP		1	1	1
12	303M894130	3M894130	PARTS ROLLER CONVEYING B SP		1	1	1
13	303M824110	3M824110	ACTUATOR REGISTRATION		1	1	1
14	303M894140	3M894140	PARTS ROLLER EXIT SP		1	1	1
15	303M894150	3M894150	PARTS ROLLER LOOP SP		1	1	1
16	303M894160	3M894160	PARTS GEAR Z41L Z58L Z76L SP		1	1	1
17	303M894170	3M894170	PARTS GEAR Z32R SP		2	2	2
18	303M894180	3M894180	PARTS GEAR Z38L SP		1	1	1
19	303M894190	3M894190	PARTS GEAR Z33L SP		1	1	1
20	303M894200	3M894200	PARTS GEAR Z34R Z26S SP		1	1	1
21	303M894210	3M894210	PARTS GEAR Z29R SP		1	1	1
22	303M894220	3M894220	PARTS GEAR Z29L ONEWAY SP		1	1	1
23	303M894240	3M894240	PARTS GEAR Z39S SP		1	1	1
24	303M894250	3M894250	PARTS GEAR LF Z29S SP		1	1	1
25	36211500	36211500	GEAR, LEADING FEED JOINT		1	1	1
26	303M894260	3M894260	PARTS SENSOR OPT SP		3	3	3
27	303M894030	3M894030	RETARD GUIDE (DP)	service only	1	1	1
28	303M894040	3M894040	RETARD ROLLER (DP)	service only	1	1	1
29	303M894070	3M894070	PARTS GUIDE PF ASSY SP		1	1	1
30	2FB27160	2FB27160	INTER LOCK SWITCH		1	1	1
101	5MBP2010PXLJ	EP120100	PARALLEL PIN H7 / M2 X 10 SUS				
102	7BB607306H	BB105770	+TP-CUP M SCREW 3X6 R				
103	7BB700308H	BB105600	+BIND T.T S SCREW 3X8 SR				
104	7BB700316H	BB106910	+BIND T.T S SCREW 3X16 SR				

•Parts with Ref.No. indicate maintenance parts and the ones without it indicate out of the above.

•Parts with "-" are component parts or sub-assemblies of the assembly appearing immediately above them.

•Parts with "•" are component parts or sub-assembly with "•" appearing immediately above them.

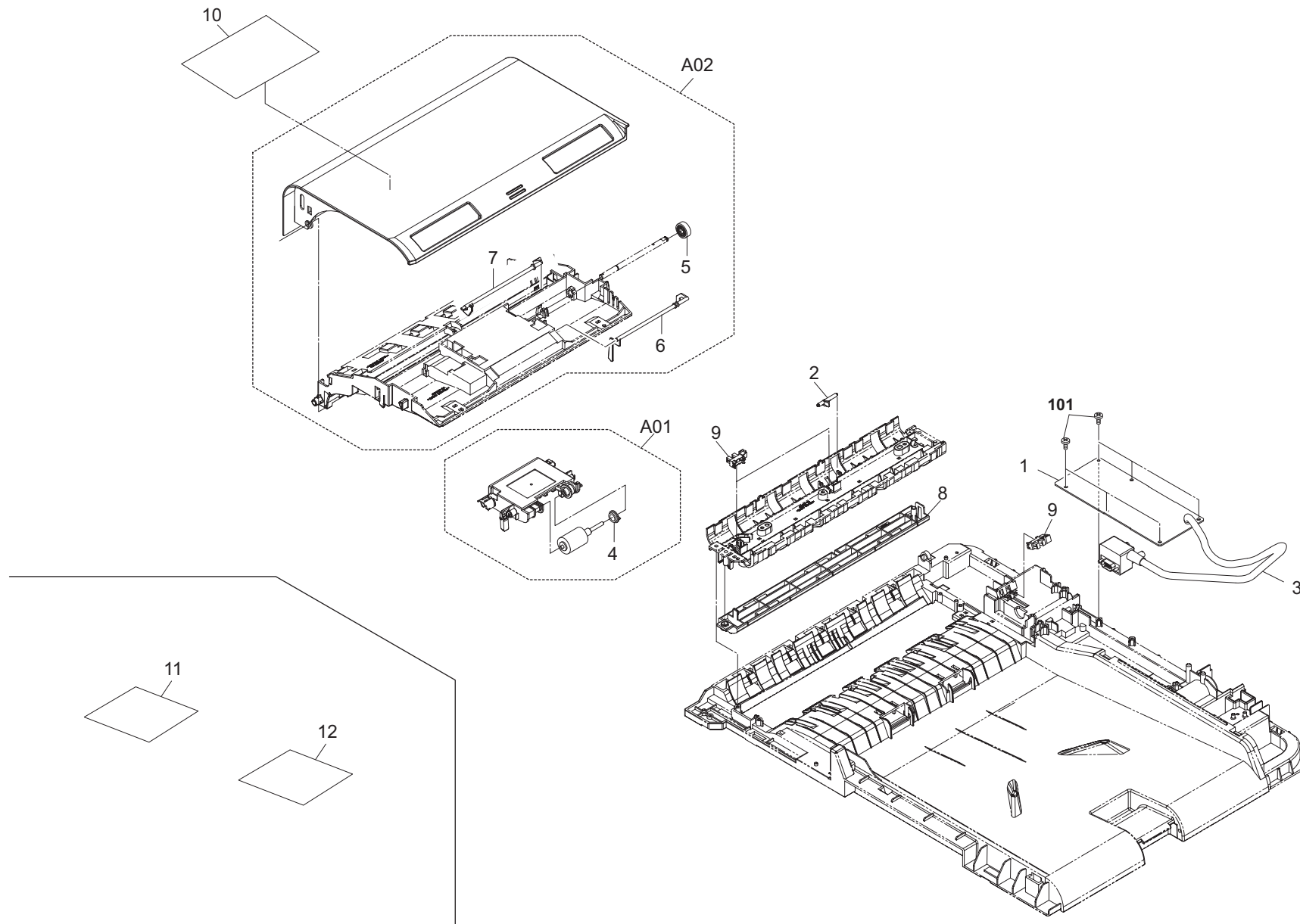


FIG. 17 Document Processor3

2MX/2MW

Ref. No.	Part.No.	Alternative.	Description	Notes	Quantity		
					120	230	240
1	303M894010	3M894010	PARTS PWB DRIVE ASSY SP		1	1	1
2	303M824191	3M824191	ACTUATOR TIMING		1	1	1
3	303M846010	3M846010	WIRE INTERFACE		1	1	1
A01	303M894021	3M894021	FEED ROLLER (DP)	service only	1	1	1
4	+36211500	36211500	GEAR,LEADING FEED JOINT		1	1	1
A02	303M894051	3M894051	PARTS COVER PF ASSY SP		1	1	1
5	+302H731700	2H731700	GEAR Z21 CONT		1	1	1
6	+303M807060	3M807060	ACTUATOR ORIGINAL SET		1	1	1
7	+303M824090	3M824090	ACTUATOR FEED		1	1	1
8	303M894080	3M894080	PARTS GUIDE READING ASSY SP		1	1	1
9	303M894260	3M894260	PARTS SENSOR OPT SP		3	3	3
10	303M834090	3M834090	LABEL CAUTION ENG		1	1	1
11	303M834121	3M834121	LABEL CAUTION SET 3NATIONS		1	1	
12	303M834131	3M834131	LABEL CAUTION SET 4NATIONS			1	
101	7BB200308H	BB105660	+BIND T.T P SCREW 3X8				

•Parts with Ref.No. indicate maintenance parts and the ones without it indicate out of the above.

•Parts with "*" are component parts or sub-assemblies of the assembly appearing immediately above them.
 •Parts with "+*" are component parts or sub-assembly with "+" appearing immediately above them.

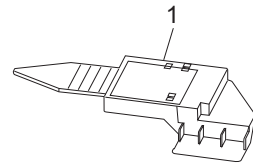


FIG. 18 Options

2MX/2MW

Ref. No.	Part.No.	Alternative.	Description	Notes	Quantity		
					120	230	240
1	302K394860	2K394860	PARTS STOPPER PAPER C ASSY SP		1	1	1

•Parts with Ref.No. indicate maintenance parts and the ones without it indicate out of the above.

•Parts with "*" are component parts or sub-assemblies of the assembly appearing immediately above them.
 •Parts with "•" are component parts or sub-assembly with "*" appearing immediately above them.

FIG. 19 Maintenance Kits

2MX/2MW

Ref. No.	Part.No.	Alternative.	Description	Notes	Quantity		
					120	230	240
	1702K37US0	072K37US	MK-477/MAINTENANCE KIT PRIMARY FEED UNIT TR-475 SEPARATION PAD MPF ROLLER REGIST CLEANER DK-475 DV-475 FK-475(U)	OPTION service only service only	1 1 1 1 1 1 1 1 1		
	1702K38NL0	072K38NL	MK-475/MAINTENANCE KIT PRIMARY FEED UNIT TR-475 SEPARATION PAD MPF ROLLER REGIST CLEANER DK-475 DV-475 FK-475(E)	OPTION service only service only		1 1 1 1 1 1 1 1	
	1702K38AS0	072K38AS	MK-479/MAINTENANCE KIT PRIMARY FEED UNIT TR-475 SEPARATION PAD MPF ROLLER REGIST CLEANER DK-475 DV-475 FK-475(E)	OPTION service only service only			1 1 1 1 1 1 1
	1703M80UN0	073M80UN	MK-470/MAINTENANCE KIT FEED ROLLER (DP) RETARD GUIDE (DP) RETARD ROLLER (DP)	OPTION,for customer service only service only service only	1 1 1 1	1 1 1 1	1 1 1 1

•Parts with Ref.No. indicate maintenance parts and the ones without it indicate out of the above.

•Parts with "-" are component parts or sub-assemblies of the assembly appearing immediately above them.
•Parts with "•" are component parts or sub-assembly with "•" appearing immediately above them.

INDEX

2MX/2MW

Part.No.	Alternative.	Description	Fig.No.
1702K37US0	072K37US	MK-477/MAINTENANCE KIT	19
1702K38AS0	072K38AS	MK-479/MAINTENANCE KIT	19
1702K38NL0	072K38NL	MK-475/MAINTENANCE KIT	19
1703M80UN0	073M80UN	MK-470/MAINTENANCE KIT	19
2AR27800	2AR27800	POWER CORD(230)	2
2FB27160	2FB27160	INTER LOCK SWITCH	16
3019527401	19527401	POWER CORD(120)	2
302F914160	2F914160	GEAR Z30H	16
302F944090	2F944090	SOLENOID ASSY	6
302H004560	2H004560	STOPPER PAPER	1
302H044110	2H044110	SENSOR ORIGINAL	8
302H731700	2H731700	GEAR Z21 CONT	16,17
302H731730	2H731730	GEAR Z34L MIDDLE	16
302HN44010	2HN44010	FAN MOTOR	13
302HN44100	2HN44100	MOTOR REVERSE	6
302K302430	2K302430	HEATER DEHUMIDIFIER 120	3
302K302440	2K302440	HEATER DEHUMIDIFIER 240	3
302K302810	2K302810	ACTUATOR PAPER EMPTY	2
302K302830	2K302830	ACTUATOR DECK FEED	2
302K304020	2K304020	COVER FRONT TOP	1
302K304030	2K304030	COVER TRAY	1
302K304040	2K304040	COVER EXIT REAR	1
302K304050	2K304050	COVER EXIT FRONT	1
302K304060	2K304060	COVER RIGHT REAR	1
302K304070	2K304070	COVER RIGHT LOW	1
302K304080	2K304080	COVER INNER LOW	2
302K304100	2K304100	COVER LEFT LOW	1
302K304121	2K304121	COVER ISU FRONT	8
302K304131	2K304131	COVER ISU LEFT	8
302K304150	2K304150	COVER ISU REAR	8
302K304170	2K304170	LID CONTROLLER BOX	1
302K304180	2K304180	COVER TRAY LEFT	1
302K304190	2K304190	COVER EXIT TOP	1
302K304200	2K304200	COVER FILTER REAR	1
302K304290	2K304290	COVER EXIT FRONT TOP	1
302K304370	2K304370	STOPPER PAPER B	1
302K305022	2K305022	COVER OPERATION LOW	14
302K305310	2K305310	SHEET OPERATION RIGHT E	14
302K305350	2K305350	SHEET OPERATION RIGHT G	14
302K305360	2K305360	SHEET OPERATION RIGHT F	14
302K305370	2K305370	SHEET OPERATION RIGHT I	14
302K305380	2K305380	SHEET OPERATION RIGHT S	14
302K305390	2K305390	SHEET OPERATION RIGHT P(B)	14
302K305400	2K305400	SHEET OPERATION RIGHT N	14
302K305410	2K305410	SHEET OPERATION RIGHT R	14
302K308020	2K308020	ACTUATOR MPF	5
302K309080	2K309080	COVER CASSETTE	4
302K309120	2K309120	CURSOR CASSETTE REAR	4
302K309130	2K309130	CURSOR CASSETTE FRONT	4
302K309270	2K309270	CURSOR END	4

Part.No.	Alternative.	Description	Fig.No.
302K309410	2K309410	PLATE SIZE DETECTION	3
302K317172	2K317172	GUIDE FFC LED C	8
302K317250	2K317250	SWITCH RELEASE	8
302K317350	2K317350	GEAR Z54	8
302K317791	2K317791	SHEET FFC LED	8
302K328060	2K328060	ACTUATOR EXIT OVERFLOW	6
302K328070	2K328070	ACTUATOR EXIT UPPER SWITCH	6
302K328160	2K328160	ARM ACTUATOR EXIT	6
302K328300	2K328300	TRAY EJECT	6
302K329040	2K329040	ACTUATOR DU	7
302K334090	2K334090	SHEET CASSETTE C	4
302K334100	2K334100	SHEET CASSETTE I	4
302K334480	2K334480	LABEL COVER CAUTION 9NATIONS	7
302K346370	2K346370	FFC ENGINE-HVU	3
302K346380	2K346380	FFC ENGINE-MAIN	3
302K346400	2K346400	FFC MAIN-LED LAMP	8
302K346410	2K346410	FFC MAIN-CCD	8
302K393030	2K393030	DK-475	11
302K393040	2K393040	DV-475	10
302K393071	2K393071	LK-475	9
302K393080	2K393080	DR-475	13
302K393090	2K393090	TR-475	7
302K393111	2K393111	FK-475(U)	12
302K393121	2K393121	FK-475(E)	12
302K393130	2K393130	WT-475	1
302K393140	2K393140	MC-475	11
302K393152	2K393152	PARTS ISU	8
302K393160	2K393160	PARTS MOUNT LED ASSY	8
302K393172	2K393172	CT-475	4
302K394040	2K394040	PARTS PWB ENGINE ASSY SP	3
302K394070	2K394070	PARTS PWB RFID ASSY SP	2
302K394080	2K394080	PARTS PWB DRUM CONNECT ASSY SP	2
302K394090	2K394090	PARTS PWB DEVE CONNECT ASSY SP	2
302K394100	2K394100	PARTS PWB HUMIDITY SENSOR ASSY SP	2
302K394110	2K394110	PARTS LVU MAIN 120 SP	2
302K394121	2K394121	PARTS LVU MAIN 200 SP	2
302K394140	2K394140	PARTS HVU SP	3
302K394170	2K394170	PARTS LCD COLOR SP	14
302K394180	2K394180	PARTS SWITCH EXIT PAPER EMPTY SP	6
302K394190	2K394190	PARTS MOTOR LIFT ASSY SP	2
302K394201	2K394201	PARTS MOTOR-BL W30 SP	13
302K394210	2K394210	PARTS MOTOR ISU SP	8
302K394220	2K394220	PARTS ROLLER REGIST RIGHT SP	7
302K394230	2K394230	PARTS ROLLER REGIST LEFT SP	5
302K394240	2K394240	PARTS ROLLER EXIT SP	6
302K394250	2K394250	PARTS ROLLER DU SP	7
302K394260	2K394260	PARTS GEAR CONTAINER Z18L SP	2
302K394270	2K394270	PARTS GEAR CONTAINER Z25L SP	2
302K394280	2K394280	PARTS GEAR CONTAINER Z35R SP	2
302K394290	2K394290	PARTS GEAR CONTAINER Z24L-Z19R SP	2

Part.No.	Alternative.	Description	Fig.No.	Part.No.	Alternative.	Description	Fig.No.
302K394300	2K394300	PARTS GEAR CONTAINER Z41L SP	2	302MW94120	2MW94120	PARTS PWB PANEL MAIN ASSY SP	14
302K394310	2K394310	PARTS GEAR REGIST Z28L-Z18L SP	5	302MX94010	2MX94010	PARTS COVER FRONT ASSY 25 E SP	1
302K394320	2K394320	PARTS GEAR MPF Z28 SP	5	302MX94020	2MX94020	PARTS COVER FRONT ASSY 25 J/A SP	1
302K394330	2K394330	PARTS GEAR REGIST Z24R SP	7	303H605110	3H605110	LABEL MSP A	15
302K394340	2K394340	PARTS GEAR Z74R-Z22S EXIT SP	6	303H622331	3H622331	GEAR 20/65 IDLE	16
302K394350	2K394350	PARTS GEAR Z22S EXIT SP	6	303J902370	3J902370	CUSHION ORIGINAL MAT	15
302K394360	2K394360	PARTS GEAR Z25S EXIT INPUT SP	6	303JC04200	3JC04200	PLATE ORIGINAL	15
302K394370	2K394370	PARTS GEAR Z18-Z63R SP	8	303K502080	3K502080	SPONGE ORIGINAL MAT	15
302K394380	2K394380	PARTS GEAR Z18 SP	4	303LL06100	3LL06100	COVER TABLE WIRE	15
302K394390	2K394390	PARTS GEAR CONTAINER Z20R SP	2	303LL31260	3LL31260	GEAR Z32S LIFT	16
302K394400	2K394400	PARTS GEAR DU Z27L SP	7	303LL34190	3LL34190	LABEL FACE UP 7NATIONS	15
302K394450	2K394450	REGIST CLEANER	5	303M802020	3M802020	LEFT HINGE	15
302K394460	2K394460	MPF ROLLER	5	303M802320	3M802320	SPONGE ORIGINAL MAT A	15
302K394470	2K394470	PARTS MPF TABLE ASSY SP	7	303M804011	3M804011	COVER FRONT	15
302K394480	2K394480	PRIMARY FEED UNIT	5	303M804020	3M804020	COVER REAR	15
302K394491	2K394491	SEPARATION PAD	5	303M804040	3M804040	COVER LEFT	15
302K394501	2K394501	PARTS MPF UNIT	5	303M804050	3M804050	STOPPER EJECT	15
302K394510	2K394510	PARTS CONVEYING UNIT	7	303M804060	3M804060	LID REAR COVER	15
302K394520	2K394520	PARTS EXIT UNIT	6	303M804070	3M804070	COVER LED	15
302K394531	2K394531	PARTS RIGHT COVER UNIT	7	303M804080	3M804080	LID INNER COVER	15
302K394540	2K394540	PARTS FEED UNIT ASSY SP	5	303M804090	3M804090	COVER HINGE	15
302K394550	2K394550	PARTS CONTACT-GLASS ASSY(C) SP	8	303M806050	3M806050	TRAY LOOP	15
302K394560	2K394560	PARTS CONTACT-GLASS ASSY(I) SP	8	303M807060	3M807060	ACTUATOR ORIGINAL SET	17
302K394580	2K394580	PARTS COVER RIGHT TOP ASSY SP	1	303M824090	3M824090	ACTUATOR FEED	17
302K394590	2K394590	PARTS COVER ISU RIGHT ASSY A SP	8	303M824110	3M824110	ACTUATOR REGISTRATION	16
302K394610	2K394610	PARTS COVER REAR ASSY SP	1	303M824191	3M824191	ACTUATOR TIMING	17
302K394621	2K394621	MPF ROLLER-PAD SET	5	303M834070	3M834070	LABEL HINGE CAUTION	15
302K394640	2K394640	PARTS COVER LEFT TOP ASSY SP	1	303M834090	3M834090	LABEL CAUTION ENG	17
302K394650	2K394650	PARTS COVER REAR EUR ASSY SP	1	303M834111	3M834111	LABEL PAPER SET CAUTION ENG	15
302K394860	2K394860	PARTS STOPPER PAPER C ASSY SP	18	303M834121	3M834121	LABEL CAUTION SET 3NATIONS	17
302K394870	2K394870	PARTS COVER OPE LOW SET SP	14	303M834131	3M834131	LABEL CAUTION SET 4NATIONS	17
302KK94070	2KK94070	PARTS CONT SENSOR ASSY SP	2	303M846010	3M846010	WIRE INTERFACE	17
302KY44010	2KY44010	MOTOR IMAGE	16	303M894010	3M894010	PARTS PWB DRIVE ASSY SP	17
302KY44090	2KY44090	MOTOR ROTARY	16	303M894021	3M894021	FEED ROLLER (DP)	17
302MW05010	2MW05010	SHEET OPERATION LEFT E	14	303M894030	3M894030	RETARD GUIDE (DP)	16
302MW05030	2MW05030	SHEET OPERATION LEFT G	14	303M894040	3M894040	RETARD ROLLER (DP)	16
302MW05040	2MW05040	SHEET OPERATION LEFT F	14	303M894051	3M894051	PARTS COVER PF ASSY SP	17
302MW05050	2MW05050	SHEET OPERATION LEFT I	14	303M894060	3M894060	PARTS TABLE ASSY SP	15
302MW05060	2MW05060	SHEET OPERATION LEFT S	14	303M894070	3M894070	PARTS GUIDE PF ASSY SP	16
302MW05070	2MW05070	SHEET OPERATION LEFT P(B)	14	303M894080	3M894080	PARTS GUIDE READING ASSY SP	17
302MW05080	2MW05080	SHEET OPERATION LEFT N	14	303M894090	3M894090	PARTS CLUTCH 50 Z35R SP	16
302MW05090	2MW05090	SHEET OPERATION LEFT R	14	303M894100	3M894100	PARTS PWB LED ASSY SP	16
302MW31010	2MW31010	TORQUE LIMITER 4000	2	303M894110	3M894110	PARTS ROLLER REGISTRATION SP	16
302MW94010	2MW94010	PARTS COVER FRONT ASSY 30 E SP	1	303M894120	3M894120	PARTS ROLLER CONVEYING A SP	16
302MW94020	2MW94020	PARTS COVER FRONT ASSY 30 J/A SP	1	303M894130	3M894130	PARTS ROLLER CONVEYING B SP	16
302MW94050	2MW94050	PARTS PWB MAIN ASSY SP	3	303M894140	3M894140	PARTS ROLLER EXIT SP	16
302MW94060	2MW94060	PARTS PWB MAIN ASSY SP EU	3	303M894150	3M894150	PARTS ROLLER LOOP SP	16
302MW94070	2MW94070	PARTS LVU SUB 100 SP	3	303M894160	3M894160	PARTS GEAR Z41L Z58L Z76L SP	16
302MW94080	2MW94080	PARTS LVU SUB 200 SP	3	303M894170	3M894170	PARTS GEAR Z32R SP	16
302MW94100	2MW94100	PARTS OPERATION UNIT SP	14	303M894180	3M894180	PARTS GEAR Z38L SP	16

Part.No.	Alternative.	Description	Fig.No.
303M894190	3M894190	PARTS GEAR Z33L SP	16
303M894200	3M894200	PARTS GEAR Z34R Z26S SP	16
303M894210	3M894210	PARTS GEAR Z29R SP	16
303M894220	3M894220	PARTS GEAR Z29L ONEWAY SP	16
303M894240	3M894240	PARTS GEAR Z39S SP	16
303M894250	3M894250	PARTS GEAR LF Z29S SP	16
303M894260	3M894260	PARTS SENSOR OPT SP	15,16,17
303M894270	3M894270	PARTS PWB SIZE DETECTION ASSY SP	15
303MX02021	3MX02021	CUSHION ORIGINAL MAT A	15
303MX02031	3MX02031	CUSHION ORIGINAL MAT B	15
36211500	36211500	GEAR, LEADING FEED JOINT	16,17
3AK20130	3AK20130	GEAR, WORM MAIN TRAY	15
3HL02240	3HL02240	PUSH SW DP	15
5ESP03090001+01	SP000360	PUSH SWITCH 03 SN /SW-192 N	3
65907210	65907210	GEAR 20, CASSETTE	15
7AAACCAS+10H001	AA063380	AC CORD ASSY AS	2
7NXGP1S173LCH01	NX116910	SENSOR OPT.	2,3,5,6,7,8
7SC010105+++H01	SC125000	SW. SEESAW	3
7SM010202+++H01	SM044270	SW. MICRO	2
7SP01000001+H01	SP044290	SW. PUSH	2,3

KYOCERA Document Solutions America, Inc.**Headquarters**

225 Sand Road,
Fairfield, New Jersey 07004-0008, USA
Phone: +1-973-808-8444
Fax: +1-973-882-6000

Latin America

8240 NW 52nd Terrace Dawson Building, Suite 100
Miami, Florida 33166, USA
Phone: +1-305-421-6640
Fax: +1-305-421-6666

KYOCERA Document Solutions Canada, Ltd.

6120 Kestrel Rd., Mississauga, ON L5T 1S8,
Canada
Phone: +1-905-670-4425
Fax: +1-905-670-8116

**KYOCERA Document Solutions
Mexico, S.A. de C.V.**

Calle Arquimedes No. 130, 4 Piso, Colonia Polanco
Chapultepec, Delegacion Miguel Hidalgo,
Distrito Federal, C.P. 11560, México
Phone: +52-555-383-2741
Fax: +52-555-383-7804

KYOCERA Document Solutions Brazil, Ltd.

Av.Tambore,1180 Mod.B-09 CEP 06460-000
Tambore-Barueri-SP, Brazil
Phone: +55-11-4195-8496
Fax: +55-11-4195-6167

**KYOCERA Document Solutions
Australia Pty. Ltd.**

Level 3, 6-10 Talavera Road North Ryde N.S.W, 2113,
Australia
Phone: +61-2-9888-9999
Fax: +61-2-9888-9588

**KYOCERA Document Solutions
New Zealand Ltd.**

1-3 Parkhead Place, Albany, Auckland 1330,
New Zealand
Phone: +64-9-415-4517
Fax: +64-9-415-4597

KYOCERA Document Solutions Asia Limited

16/F.,Mita Centre, 552-566, Castle Peak Road
Tsuenwan, NT, Hong Kong
Phone: +852-2610-2181
Fax: +852-2610-2063

**KYOCERA Document Solutions
(Thailand) Corp., Ltd.**

335 Ratchadapisek Road, Bangsue, Bangkok 10800,
Thailand
Phone: +66-2-586-0333
Fax: +66-2-586-0278

**KYOCERA Document Solutions
Singapore Pte. Ltd.**

12 Tai Seng Street #04-01A,
Luxasia Building, Singapore 534118
Phone: +65-6741-8733
Fax: +65-6748-3788

**KYOCERA Document Solutions
Hong Kong Limited**

16/F.,Mita Centre, 552-566, Castle Peak Road
Tsuenwan, NT, Hong Kong
Phone: +852-2429-7422
Fax: +852-2423-2159

**KYOCERA Document Solutions
Taiwan Corporation**

6F., No.37, Sec. 3, Minquan E. Rd.,
Zhongshan Dist., Taipei 104, Taiwan R.O.C.
Phone: +886-2-2507-6709
Fax: +886-2-2507-8432

**KYOCERA Document Solutions Korea Co.,
Ltd.**

18F, Kangnam bldg, 1321-1,
Seocho-Dong, Seocho-Gu, Seoul, Korea
Phone: +822-6933-4050
Fax: +822-747-0084

**KYOCERA Document Solutions
India Private Limited**

First Floor, ORCHID CENTRE
Sector-53, Golf Course Road, Gurgaon 122 002,
India
Phone: +91-0124-4671000
Fax: +91-0124-4671001

KYOCERA Document Solutions Europe B.V.

Bloemlaan 4, 2132 NP Hoofddorp,
The Netherlands
Phone: +31-20-654-0000
Fax: +31-20-653-1256

KYOCERA Document Solutions Nederland B.V.

Beechavenue 25, 1119 RA Schiphol-Rijk,
The Netherlands
Phone: +31-20-5877200
Fax: +31-20-5877260

KYOCERA Document Solutions (U.K.) Limited

8 Beacontree Plaza,
Gillette Way Reading, Berkshire RG2 0BS,
United Kingdom
Phone: +44-118-931-1500
Fax: +44-118-931-1108

KYOCERA Document Solutions Italia S.p.A.

Via Verdi, 89/91 20063 Cernusco s/N.(MI),
Italy
Phone: +39-02-921791
Fax: +39-02-92179-600

KYOCERA Document Solutions Belgium N.V.

Sint-Martinusweg 199-201 1930 Zaventem,
Belgium
Phone: +32-2-7209270
Fax: +32-2-7208748

KYOCERA Document Solutions France S.A.S.

Espace Technologique de St Aubin
Route de l'Orme 91195 Gif-sur-Yvette CEDEX,
France
Phone: +33-1-69852600
Fax: +33-1-69853409

KYOCERA Document Solutions Espana, S.A.

Edificio Kyocera, Avda. de Manacor No.2,
28290 Las Matas (Madrid), Spain
Phone: +34-91-6318392
Fax: +34-91-6318219

KYOCERA Document Solutions Finland Oy

Atomitie 5C, 00370 Helsinki,
Finland
Phone: +358-9-47805200
Fax: +358-9-47805390

KYOCERA Document Solutions Europe B.V., Amsterdam (NL) Zürich Branch

Hohlstrasse 614, 8048 Zürich,
Switzerland
Phone: +41-44-9084949
Fax: +41-44-9084950

KYOCERA Document Solutions**Deutschland GmbH**

Otto-Hahn-Strasse 12, 40670 Meerbusch,
Germany
Phone: +49-2159-9180
Fax: +49-2159-918100

KYOCERA Document Solutions Austria GmbH

Eduard-Kittenberger-Gasse 95, 1230 Vienna,
Austria
Phone: +43-1-863380
Fax: +43-1-86338-400

KYOCERA Document Solutions Nordic AB

Esbogatan 16B 164 75 Kista, Sweden
Phone: +46-8-546-550-00
Fax: +46-8-546-550-10

KYOCERA Document Solutions Norge NUF

Postboks 150 Oppsal, 0619 Oslo,
Norway
Phone: +47-22-62-73-00
Fax: +47-22-62-72-00

KYOCERA Document Solutions Danmark A/S

Ejby Industrivej 60, DK-2600 Glostrup,
Denmark
Phone: +45-70223880
Fax: +45-45765850

KYOCERA Document Solutions Portugal Lda.

Rua do Centro Cultural, 41 (Alvalade) 1700-106 Lisboa,
Portugal
Phone: +351-21-843-6780
Fax: +351-21-849-3312

KYOCERA Document Solutions**South Africa (Pty) Ltd.**

49 Kyalami Boulevard,
Kyalami Business Park 1685 Midrand, South Africa
Phone: +27-11-540-2600
Fax: +27-11-466-3050

KYOCERA Document Solutions Russia LLC

Botanichesky pereulok 5, Moscow, 129090,
Russia
Phone: +7(495)741-0004
Fax: +7(495)741-0018

KYOCERA Document Solutions Middle East

Dubai Internet City, Bldg. 17,
Office 157 P.O. Box 500817, Dubai,
United Arab Emirates
Phone: +971-04-433-0412

KYOCERA Document Solutions Inc.

2-28, 1-chome, Tamatsukuri, Chuo-ku
Osaka 540-8585, Japan
Phone: +81-6-6764-3555
<http://www.kyoceradocumentsolutions.com>