



FS-C2026MFP

FS-C2126MFP

PARTS LIST

Published in November 2010

2KXPL072

842KX122

Rev.2

— CONTENTS —

FIG. 1	Covers	2
FIG. 2	Paper Cassette	4
FIG. 3	Paper Feed Section 1	6
FIG. 4	Paper Feed Section 2	8
FIG. 5	Paper Conveying Section	10
FIG. 6	Laser Scanner Section	12
FIG. 7	Developer Section	14
FIG. 8	Image Formation Section	16
FIG. 9	Transfer Section	18
FIG. 10	Fuser Section	20
FIG. 11	Drive Section	22
FIG. 12	Electrical Components 1	24
FIG. 13	Electrical Components 2	26
FIG. 14	Operation Section	28
FIG. 15	Scanner Section	30
FIG. 16	Document Processor	32
FIG. 17	FAX Section (4in1 model)	34
FIG. 18	Maintenance Kits	36
	• INDEX	37

FIG. 1 Covers

2KW/2KX-1

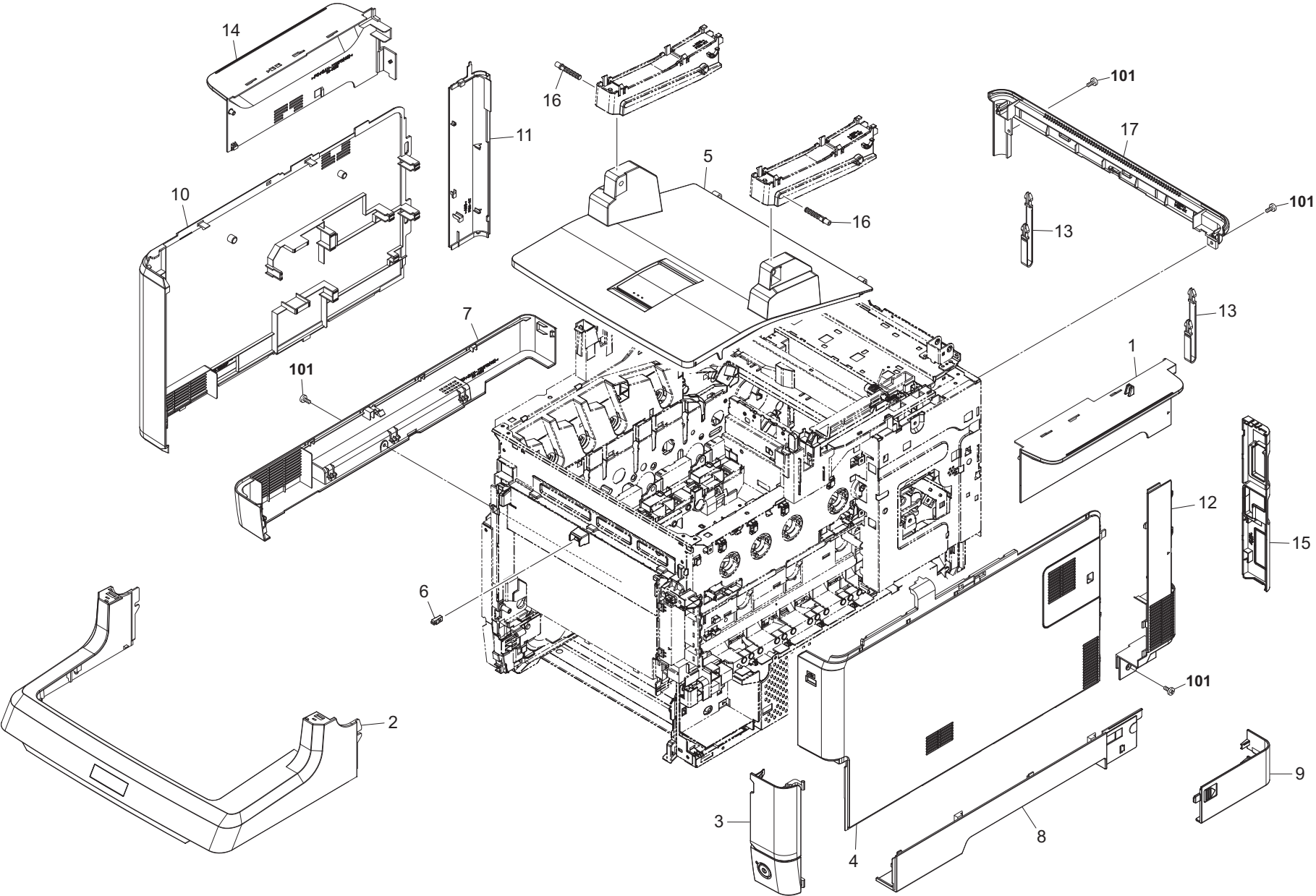


FIG. 1 Covers

2KW/2KX-1

Ref. No.	Part.No.	Alternative Part.No.	Description	Quantity		
				120	230	240
1	302KW94100	2KW94100	PARTS COVER RIGHT UPPER ASSY SP	1		
1	302KW04040	2KW04040	COVER RIGHT UPPER		1	1
2	302KW94090	2KW94090	PARTS COVER FRONT ASSY SP	1	1	1
3	302KT94060	2KT94060	PARTS COVER WASTE ASSY SP	1	1	1
4	302KV94110	2KV94110	PARTS COVER RIGHT ASSY SP	1	1	1
5	302KW94080	2KW94080	PARTS LID TOP M ASSY SP	1	1	1
6	302HN08140	2HN08140	LUTCH	1	1	1
7	302KT04010	2KT04010	COVER LEFT BOTTOM	1	1	1
8	302KT04020	2KT04020	COVER RIGHT BOTTOM	1	1	1
9	302KT04030	2KT04030	COVER CABLE	1	1	1
10	302KV04030	2KV04030	COVER LEFT	1	1	1
11	302KV04060	2KV04060	COVER LEFT REAR	1	1	1
12	302KV04070	2KV04070	COVER RIGHT REAR	1	1	1
13	302KV04130	2KV04130	STRAP COVER REAR	2	2	2
14	302KW04030	2KW04030	COVER LEFT UPPER	1	1	1
15	302KV04110	2KV04110	COVER CONNECTOR (3in1 model)	1	1	1
15	302KX04010	2KX04010	COVER CONNECTOR (4in1 model)	1	1	1
16	302KW04090	2KW04090	PIN LID TOP	2	2	2
17	302KW04050	2KW04050	COVER REAR UPPER	1	1	1
101	7BB780308H	BB111200	+BIND T.T S SCREW 3X8 SR(BLACK)			

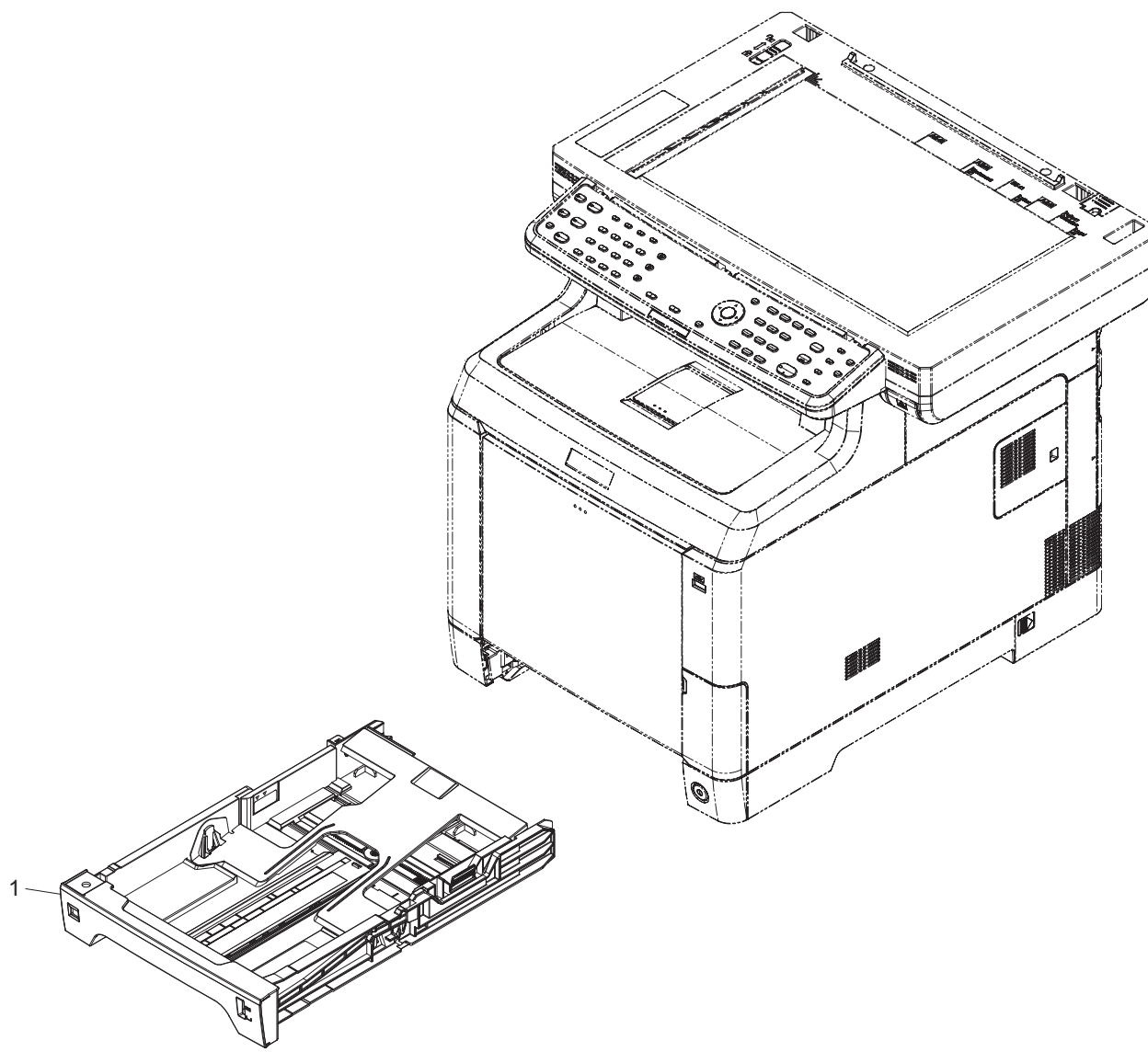


FIG. 2 Paper Cassette

2KW/2KX

Ref. No.	Part.No.	Alternative Part.No.	Description	Quantity		
				120	230	240
1	302KT93040	2KT93040	CT-591	1	1	1

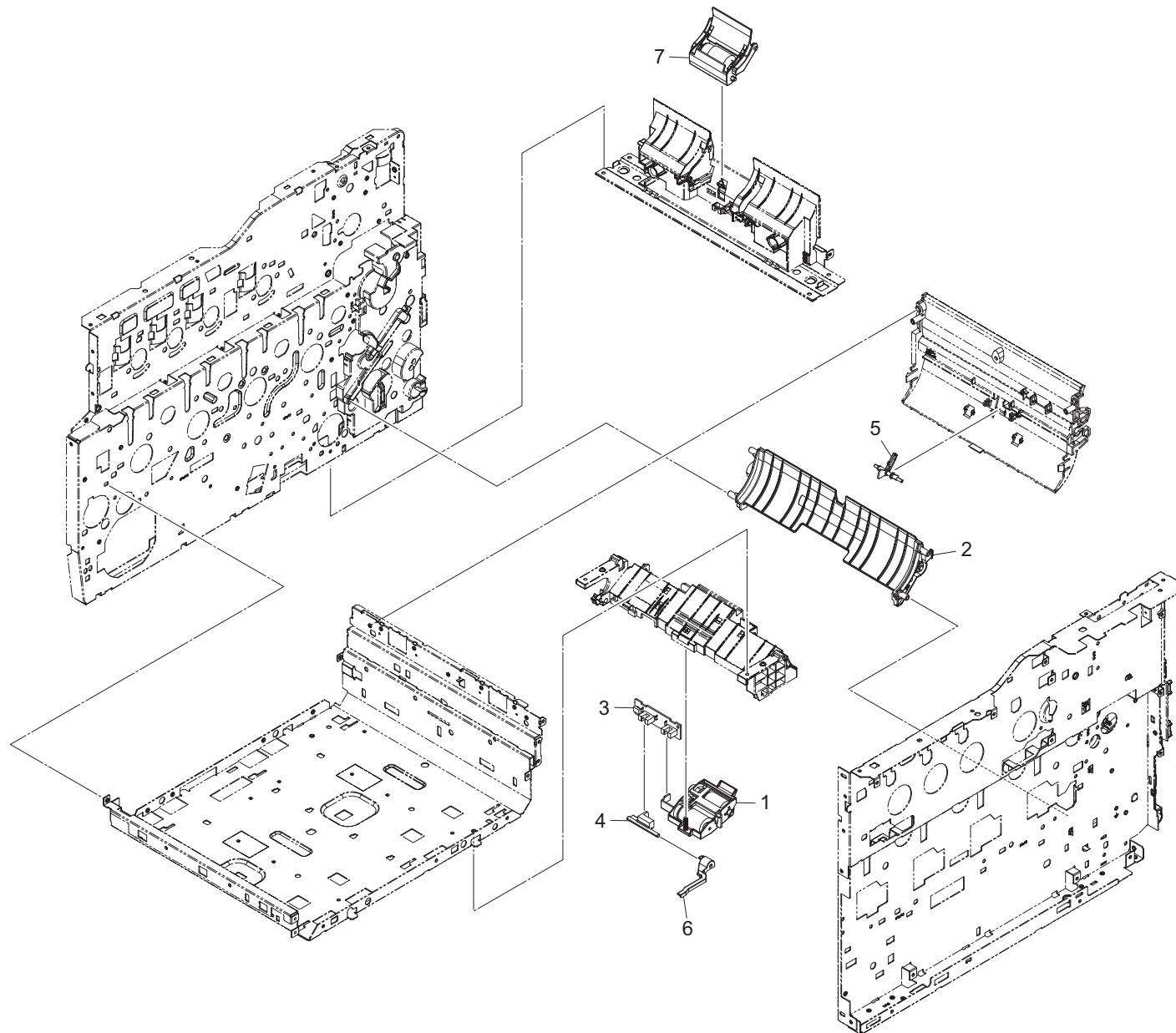


FIG. 3 Paper Feed Section 1

2KW/2KX-1

Ref. No.	Part.No.	Alternative Part.No.	Description	Quantity		
				120	230	240
1	302KV94190	2KV94190	PARTS HOLDER FEED ASSY SP	1	1	1
2	302KV94200	2KV94200	PARTS HOLDER MIDDLE ROLLER ASSY SP	1	1	1
3	302KT94070	2KT94070	PARTS PWB ASSY CASSETTE SP	1	1	1
4	302KT06050	2KT06050	ACTUATOR PE	1	1	1
5	302KV06090	2KV06090	ACTUATOR REGIST	1	1	1
6	302KV06340	2KV06340	ACTUATOR B	1	1	1
7	302KT94050	2KT94050	PARTS HOLDER RETARD ASSY SP	1	1	1

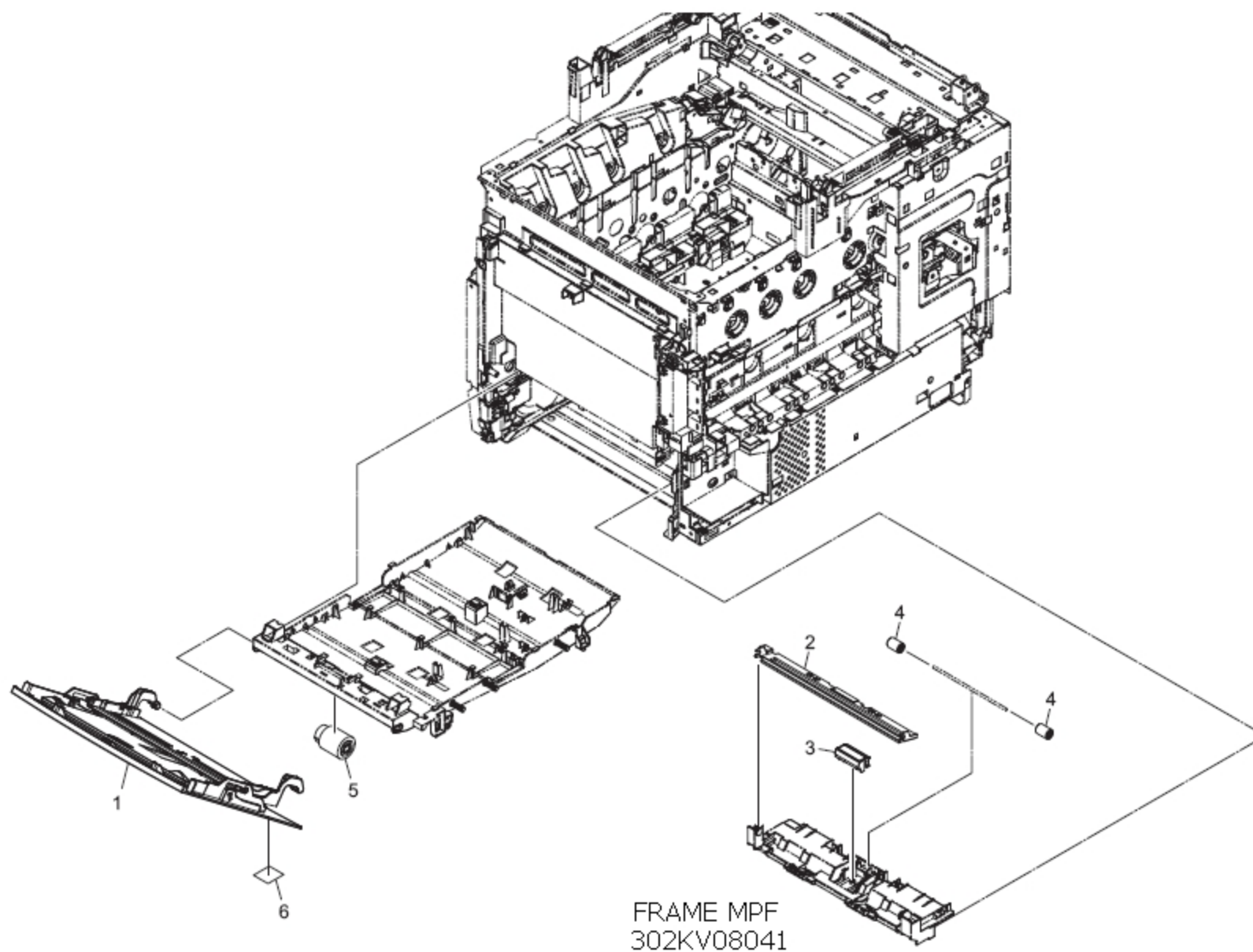


FIG. 4 Paper Feed Section 2

2KW/2KX-1

Ref. No.	Part.No.	Alternative Part.No.	Description	Quantity		
				120	230	240
1	302KV94130	2KV94130	PARTS COVER MPF ASSY SP	1	1	1
2	302KV94150	2KV94150	PARTS PLATE BOTTOM MPF ASSY SP	1	1	1
3	302KV94140	2KV94140	PARTS SEPARATOR MPF ASSY SP	1	1	1
4	302F929050	2F929050	PULLEY FEED DU	2	2	2
5	5AAVR0LL+051	2CL16130	ROLLER M/P ASSY /43487B0027 A4	1	1	1
6	302G634070	2G634070	LABEL ENERGY STAR	1	1	1

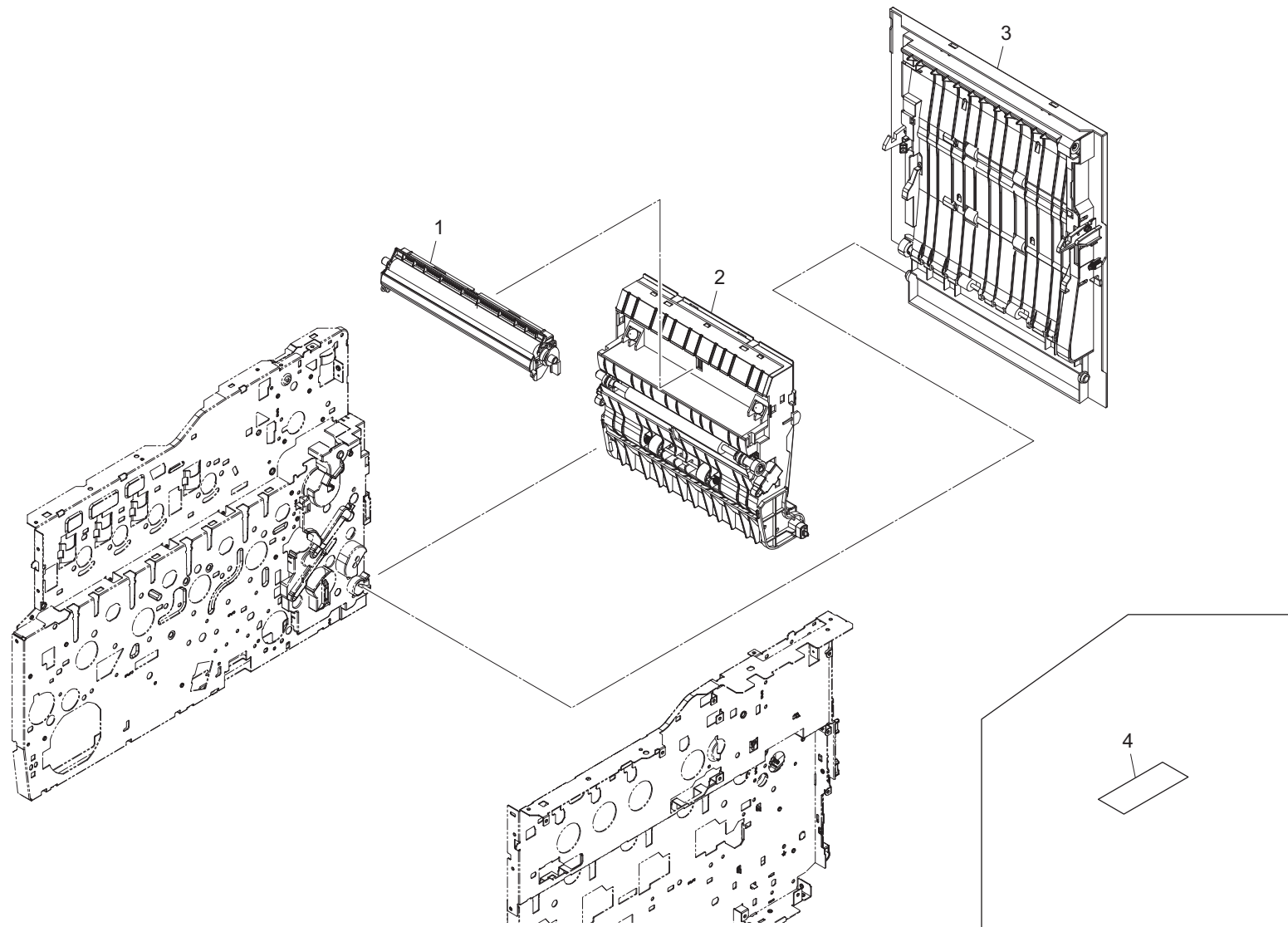


FIG. 5 Paper Conveying Section

2KW/2KX-1

Ref. No.	Part.No.	Alternative Part.No.	Description	Quantity		
				120	230	240
1	302KV94160	2KV94160	PARTS TRANSFER ASSY SP	1	1	1
2	302KV94170	2KV94170	PARTS CONVEYING ASSY SP	1	1	1
3	302KV94251	2KV94251	PARTS DU REAR COVER ASSY SP	1	1	1
4	302KV34090	2KV34090	LABEL MULTI LANGUAGE		1	

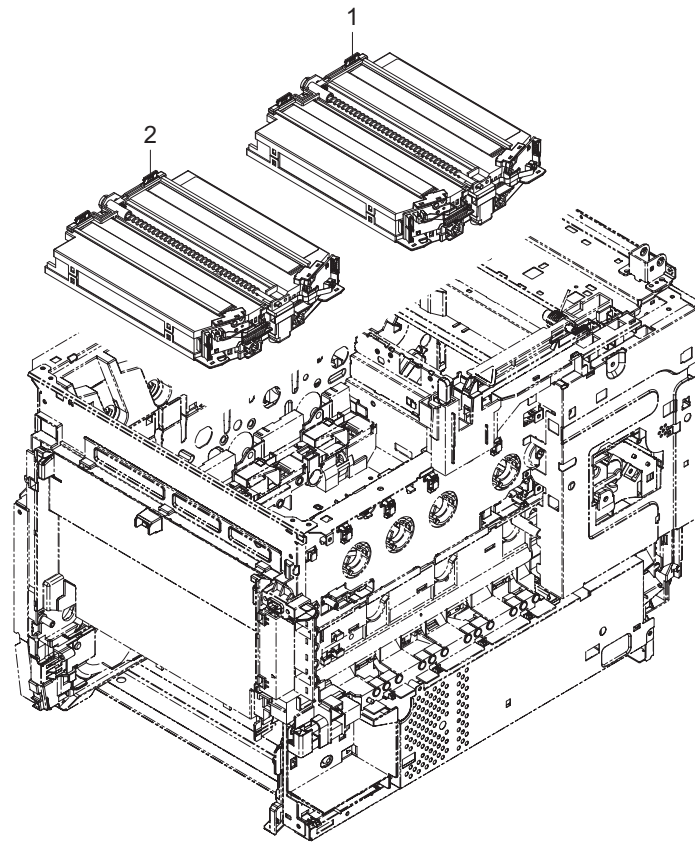


FIG. 6 Laser Scanner Section

2KW/2KX

Ref. No.	Part.No.	Alternative Part.No.	Description	Quantity		
				120	230	240
1	302KV93020	2KV93020	LK-590A	1	1	1
2	302KV93030	2KV93030	LK-590B	1	1	1

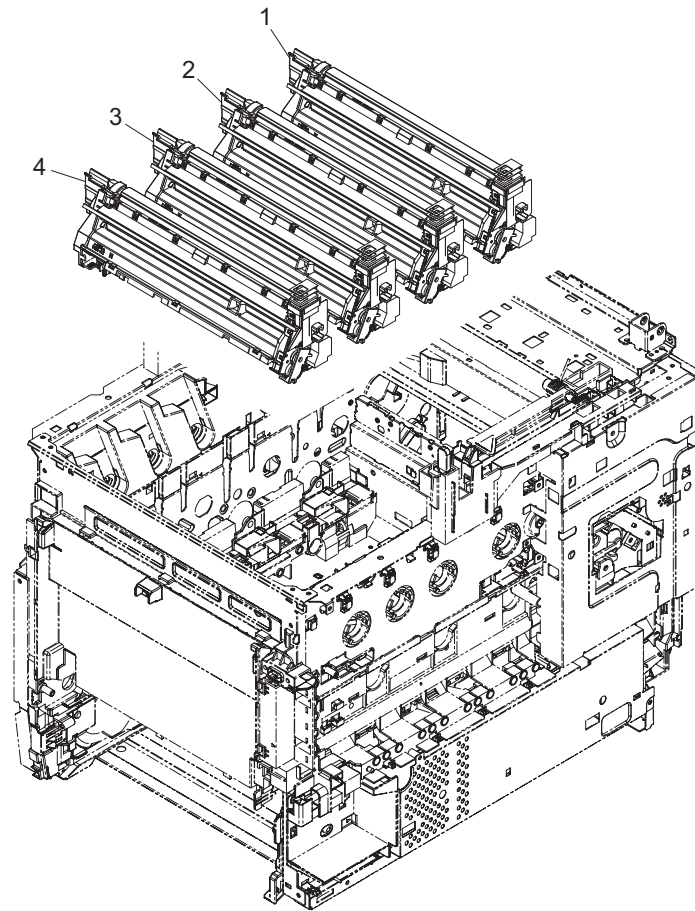


FIG. 7 Developer Section

2KW/2KX-1

Ref. No.	Part.No.	Alternative Part.No.	Description	Quantity		
				120	230	240
1	302HN93252	2HN93252	DV-560 US (K)	1		
1	302HN93012	2HN93012	DV-560(K)		1	1
2	302HN93282	2HN93282	DV-560 US (M)	1		
2	302HN93042	2HN93042	DV-560(M)		1	1
3	302HN93272	2HN93272	DV-560 US (C)	1		
3	302HN93032	2HN93032	DV-560(C)		1	1
4	302HN93262	2HN93262	DV-560 US (Y)	1		
4	302HN93022	2HN93022	DV-560(Y)		1	1

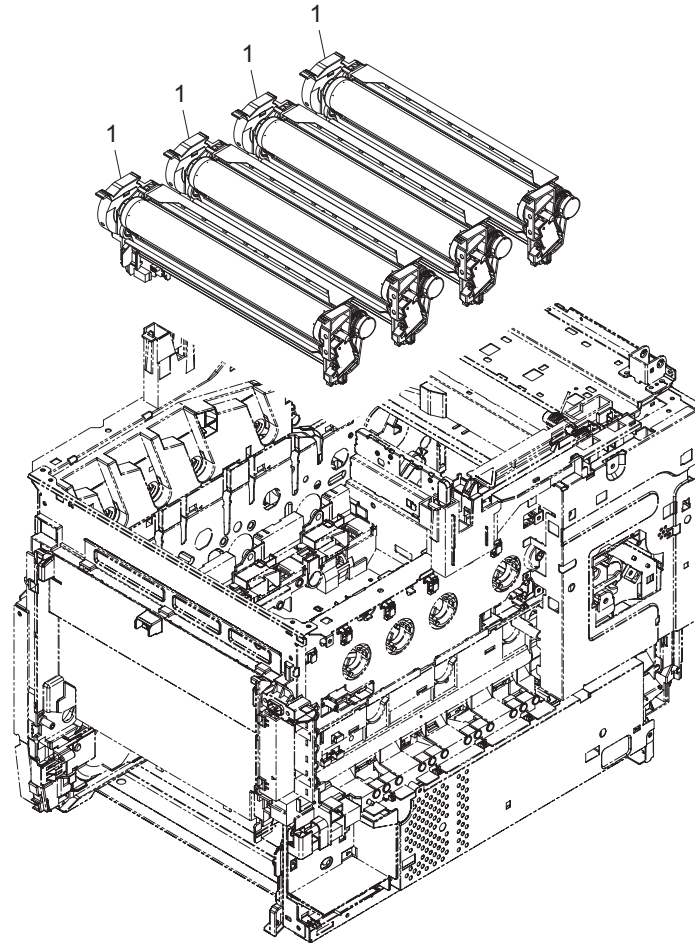


FIG. 8 Image Formation Section

2KW/2KX

Ref. No.	Part.No.	Alternative Part.No.	Description	Quantity		
				120	230	240
1	302KV93010	2KV93010	DK-590	4	4	4

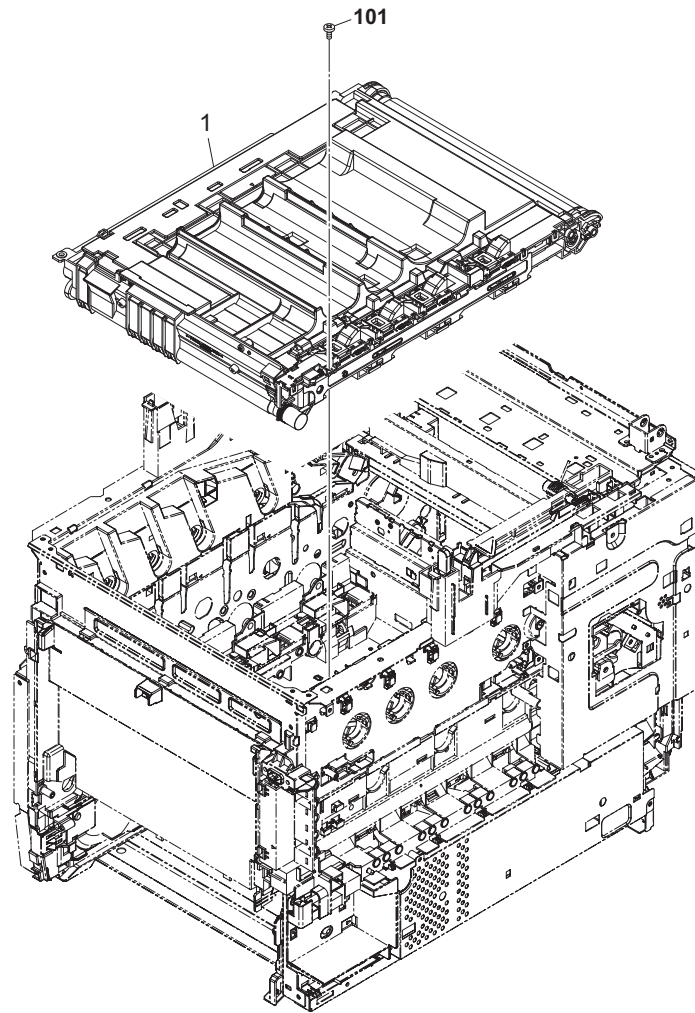


FIG. 9 Transfer Section

2KW/2KX

Ref. No.	Part.No.	Alternative Part.No.	Description	Quantity		
				120	230	240
1	302KV93070	2KV93070	TR-590	1	1	1
101	7BB700412H	BB106830	+BIND T.T S SCREW 4X12 SR			

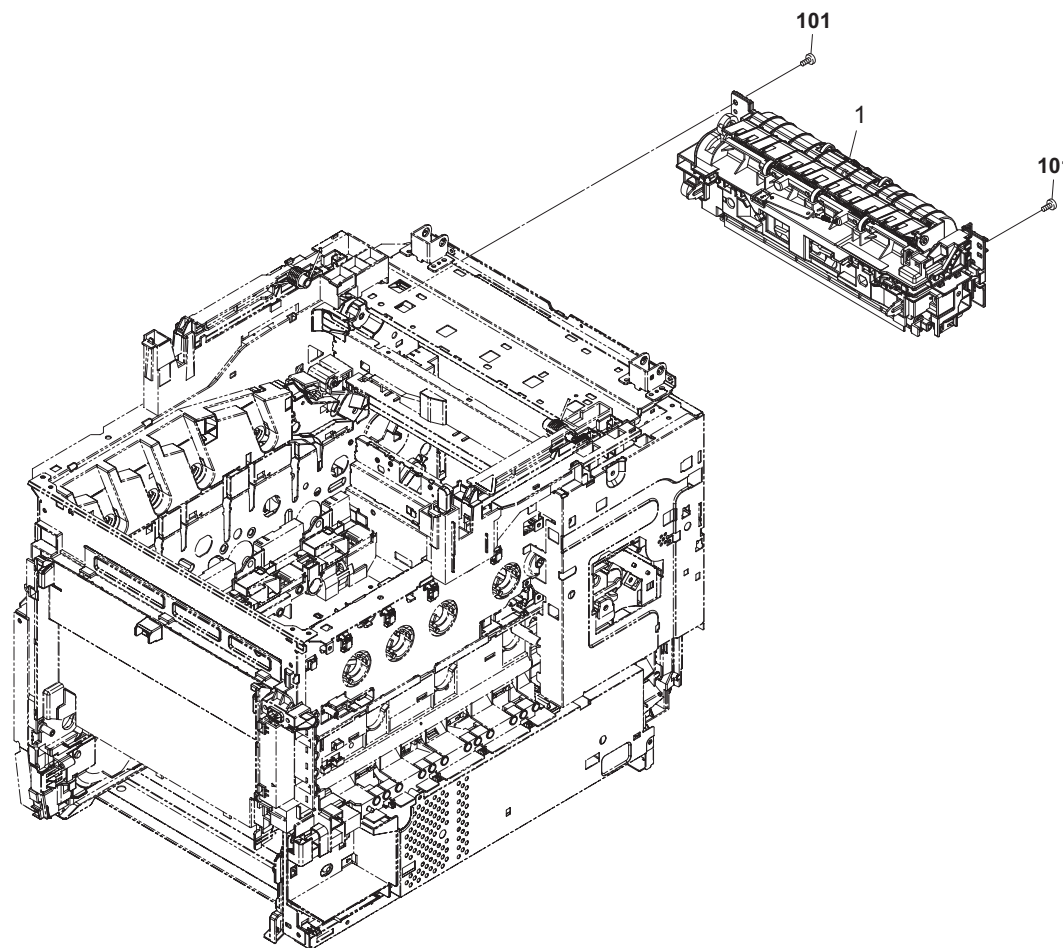


FIG. 10 Fuser Section

2KW/2KX

Ref. No.	Part.No.	Alternative Part.No.	Description	Quantity		
				120	230	240
1 1	302KV93050 302KV93040	2KV93050 2KV93040	FK-590(U) FK-590(E)	1	1	1
101	7BB700408H	BB105640	+BIND T.T S SCREW 4X8 SR			

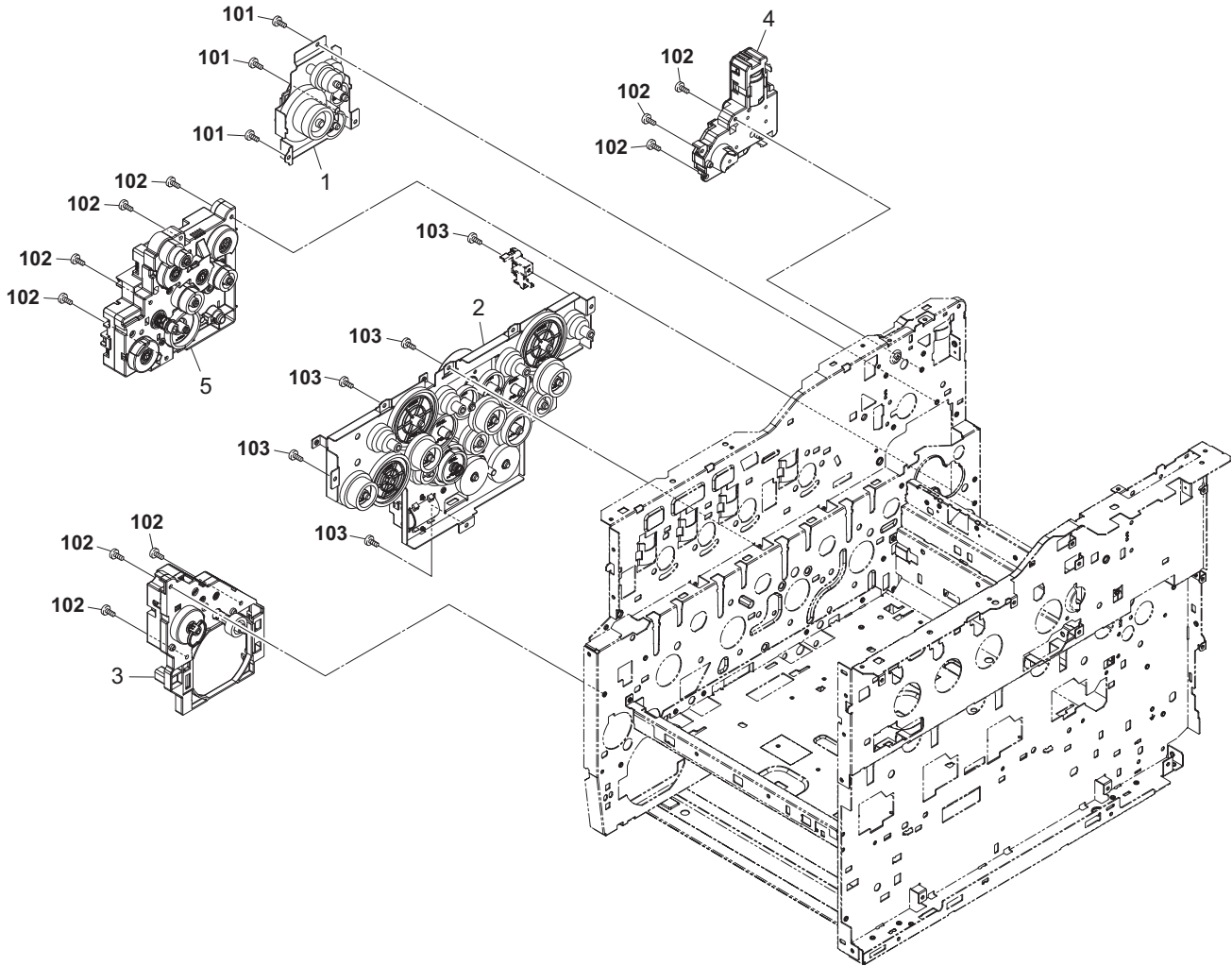


FIG. 11 Drive Section

2KW/2KX-1

Ref. No.	Part.No.	Alternative Part.No.	Description	Quantity		
				120	230	240
1	302KV93090	2KV93090	DR-590A	1	1	1
2	302KV93100	2KV93100	DR-590B	1	1	1
3	302KV94230	2KV94230	PARTS DRIVE MPF ASSY SP	1	1	1
4	302KV94220	2KV94220	PARTS DRIVE PRESS ASSY SP	1	1	1
5	302KV94210	2KV94210	PARTS DRIVE FEED ASSY SP	1	1	1
101	7BB700306H	BB105590	+BIND T.T S SCREW 3X6 SR			
102	7BB700312H	BB106820	+BIND T.T S SCREW 3X12 SR			
103	7BB700308H	BB105600	+BIND T.T S SCREW 3X8 SR			

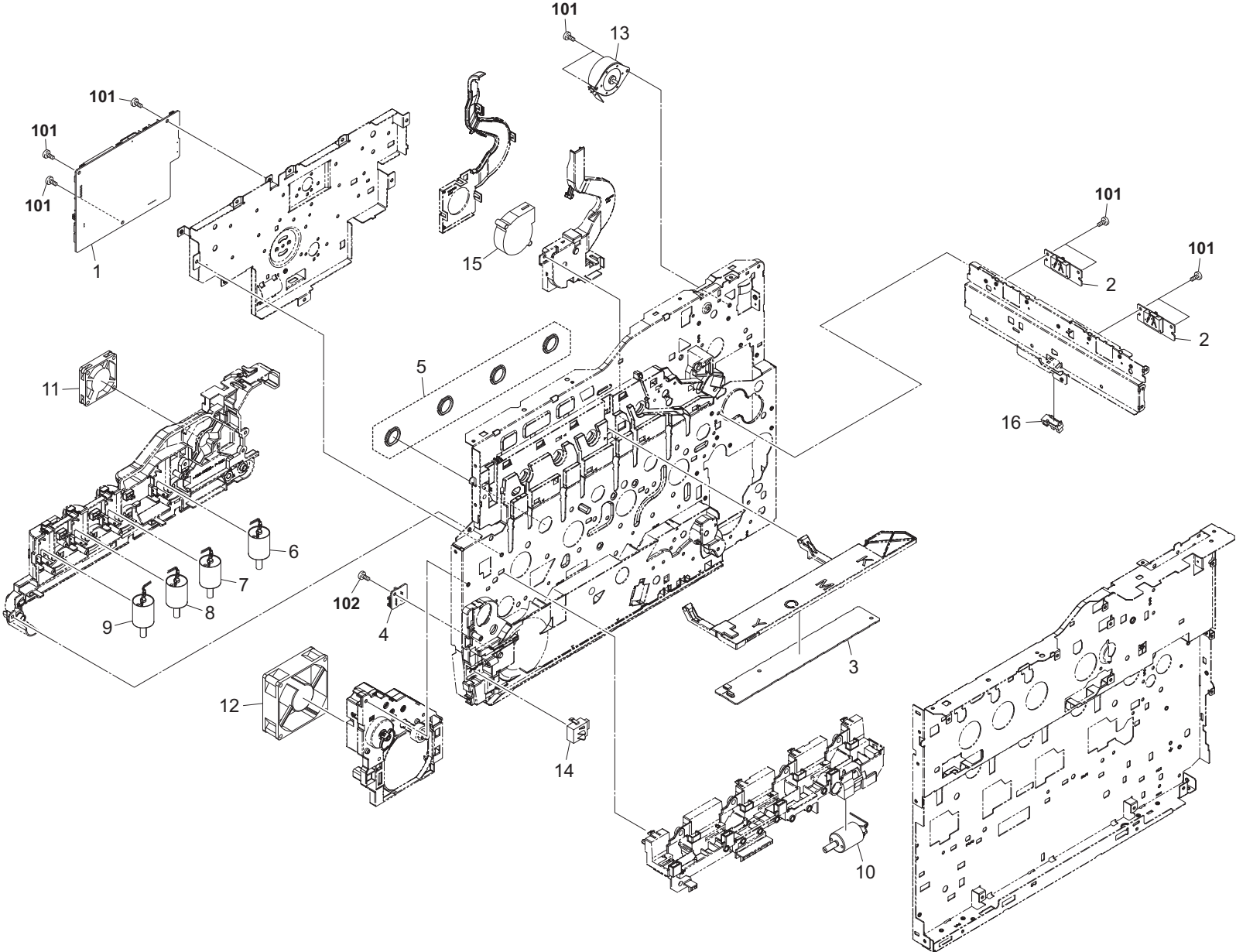


FIG. 12 Electrical Components 1

2KW/2KX-1

Ref. No.	Part.No.	Alternative Part.No.	Description	Quantity		
				120	230	240
1	302KW94030	2KW94030	PARTS PWB ENGINE ASSY SP	1	1	1
2	302KV94320	2KV94320	PARTS ID SENSOR ASSY SP	2	2	2
3	302KV94350	2KV94350	PARTS PWB ASSY RFID SP	1	1	1
4	302KV94360	2KV94360	PARTS PWB ASSY THERMISTOR SP	1	1	1
5	302KV94080	2KV94080	PARTS BUSH GEAR SP	1	1	1
6	302KV94300	2KV94300	PARTS MOTOR-DC ASSY K SP	1	1	1
7	302KV94290	2KV94290	PARTS MOTOR-DC ASSY M SP	1	1	1
8	302KV94280	2KV94280	PARTS MOTOR-DC ASSY C SP	1	1	1
9	302KV94270	2KV94270	PARTS MOTOR-DC ASSY Y SP	1	1	1
10	302KV94310	2KV94310	PARTS MOTOR-DC ASSY LSU SP	1	1	1
11	302F944160	2F944160	FAN POWER PWB 50	1	1	1
12	302HN44010	2HN44010	FAN MOTOR	1	1	1
13	302HN44090	2HN44090	MOTOR FUSER	1	1	1
14	302HN44180	2HN44180	SWITCH SIZE	1	1	1
15	302HN44210	2HN44210	FAN MOTOR	1	1	1
16	7NXGP1S173LCH01	NX116910	SENSOR OPT.	1	1	1
101	7BB700308H	BB105600	+BIND T.T S SCREW 3X8 SR			
102	7BB200308H	BB105660	+BIND T.T P SCREW 3X8			

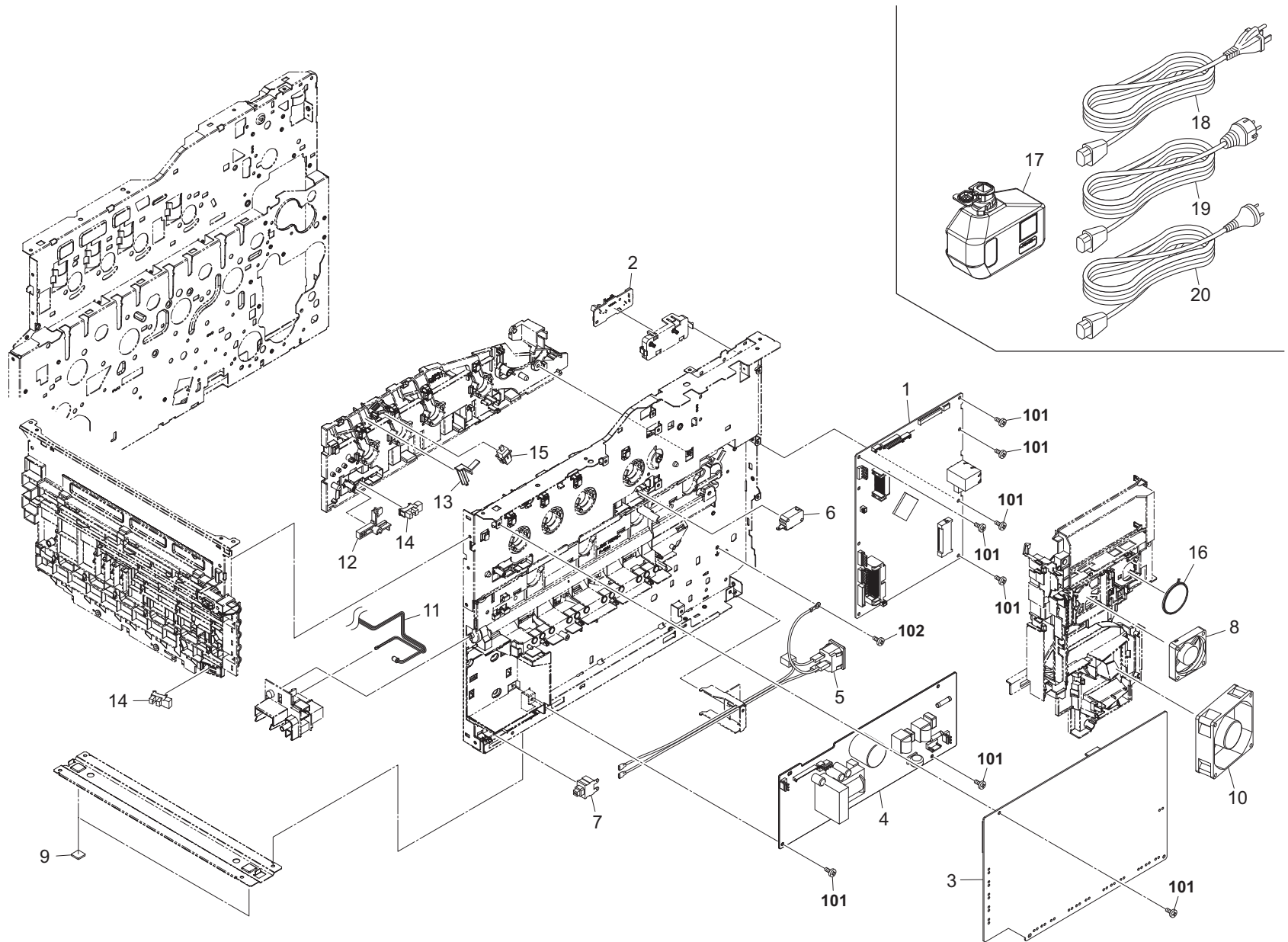


FIG. 13 Electrical Components 2

2KW/2KX-1

Ref. No.	Part.No.	Alternative Part.No.	Description	Quantity		
				120	230	240
1	302KW94010	2KW94010	PARTS PWB MAIN ASSY SP (3in1 model)	1		1
1	302KX94010	2KX94010	PARTS PWB MAIN ASSY SP (4in1 model)	1		1
1	302KW94020	2KW94020	PARTS PWB MAIN ASSY SP EU (3in1 model)		1	
1	302KX94020	2KX94020	PARTS PWB MAIN ASSY SP EU (4in1 model)		1	
2	302KV94330	2KV94330	PARTS PWB ASSY EXIT SP (26 ppm)	1	1	1
3	302KV94060	2KV94060	PARTS HIGH VOLTAGE UNIT SP	1	1	1
4	302KW94040	2KW94040	PARTS SWITCHING REGULATOR 100V SP	1		
4	302KW94050	2KW94050	PARTS SWITCHING REGULATOR 230V SP		1	1
5	302KV00100	2KV00100	INLET ASSY	1	1	1
6	7SM010104+++H01	SM055200	SW.MICRO	1	1	1
7	7SP01000005+H01	SP119750	SW.PUSH	1	1	1
8	302HG44110	2HG44110	FAN MOTOR 50	1	1	1
9	302HN02611	2HN02611	FOOT	2	2	2
10	302HN44010	2HN44010	FAN MOTOR	1	1	1
11	302KV94370	2KV94370	PARTS TONER FULL DETECT SP	1	1	1
12	302KV02480	2KV02480	ACTUATOR DETECTION CONTAINER	1	1	1
13	302KV02C70	2KV02C70	ACTUATOR PUSH SWITCH	1	1	1
14	7NXGP1S173LCH01	NX116910	SENSOR OPT.	2	2	2
15	7SP01000001+H01	SP044290	SW.PUSH	1	1	1
16	302KX45010	2KX45010	SPEAKER (4in1 model)	1	1	1
17	302KV93110	2KV93110	WT-590	1	1	1
18	3019527401	19527401	POWER CORD(120)	1		
19	302FV45020	2FV45020	AC CORD ASSY		1	
20	302FV45040	2FV45040	AC CORD ASSY			1
101	7BB700308H	BB105600	+BIND T.T S SCREW 3X8 SR			
102	7BB700408H	BB105640	+BIND T.T S SCREW 4X8 SR			

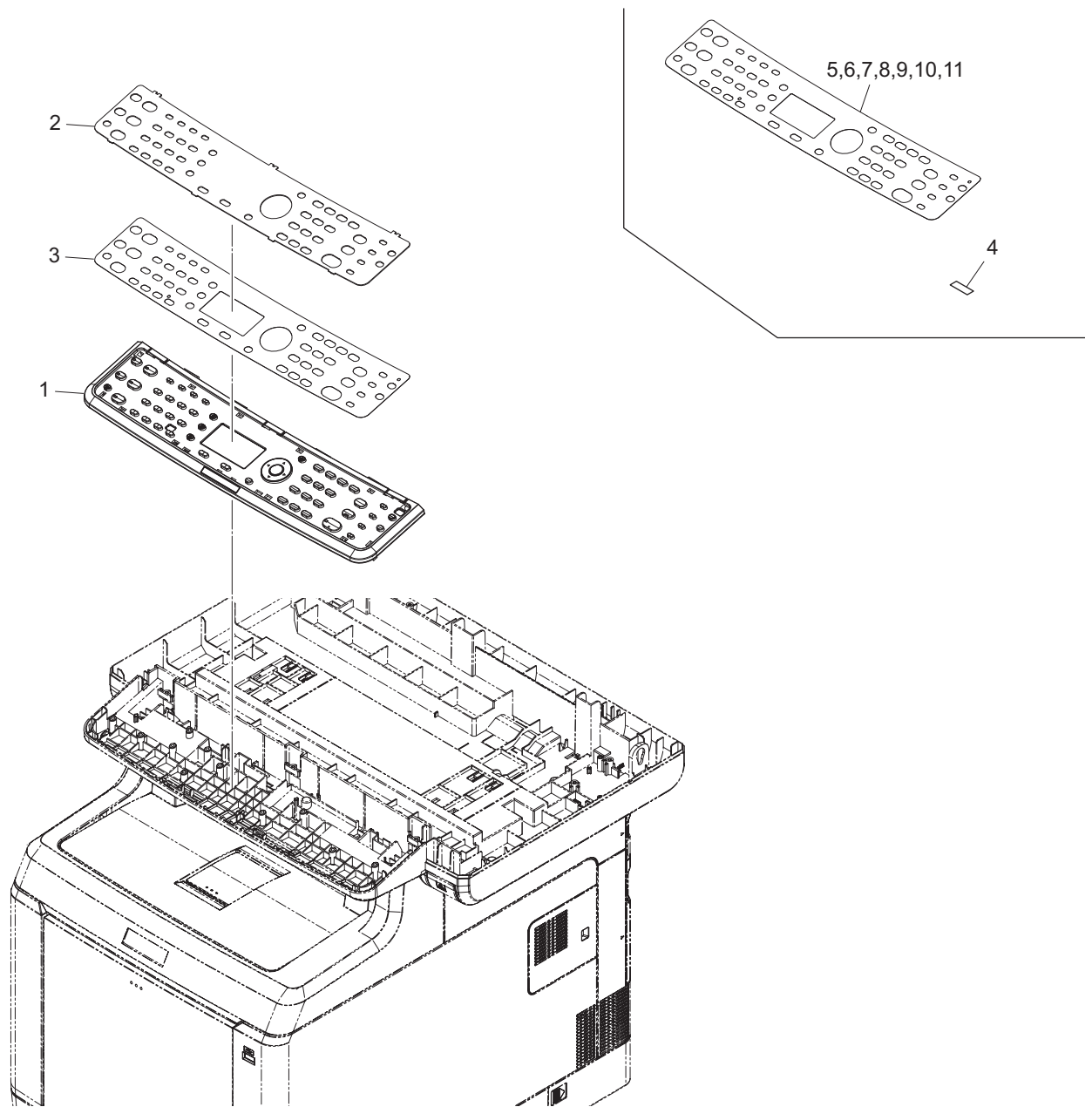


FIG. 14 Operation Section

2KW/2KX-1

Ref. No.	Part.No.	Alternative Part.No.	Description	Quantity		
				120	230	240
1	302KW94060	2KW94060	PARTS OPERATION ASSY SP (3in1 model)	1	1	1
1	302KX94030	2KX94030	PARTS OPERATION ASSY SP (4in1 model)	1	1	1
2	302KW05020	2KW05020	PANEL OPERATION (3in1 model)	1	1	1
2	302KX05020	2KX05020	PANEL OPERATION (4in1 model)	1	1	1
3	302KW34010	2KW34010	LABEL OPERATION E (3in1 model)	1	1	1
3	302KX34010	2KX34010	LABEL OPERATION E (4in1 model)	1	1	1
4	302KW34120	2KW34120	LABEL PROGRAM	1	1	1
5	302KW34050	2KW34050	LABEL OPERATION GER (3in1 model)		1	
5	302KX34050	2KX34050	LABEL OPERATION GER (4in1 model)		1	
6	302KW34060	2KW34060	LABEL OPERATION FRA (3in1 model)	1	1	
6	302KX34060	2KX34060	LABEL OPERATION FRA (4in1 model)	1	1	
7	302KW34070	2KW34070	LABEL OPERATION ITA (3in1 model)		1	
7	302KX34070	2KX34070	LABEL OPERATION ITA (4in1 model)		1	
8	302KW34080	2KW34080	LABEL OPERATION SPA (3in1 model)	1	1	
8	302KX34080	2KX34080	LABEL OPERATION SPA (4in1 model)	1	1	
9	302KW34090	2KW34090	LABEL OPERATION POR (3in1 model)	1	1	
9	302KX34090	2KX34090	LABEL OPERATION POR (4in1 model)	1	1	
10	302KW34100	2KW34100	LABEL OPERATION DUT (3in1 model)		1	
10	302KX34100	2KX34100	LABEL OPERATION DUT (4in1 model)		1	
11	302KW34110	2KW34110	LABEL OPERATION RUS (3in1 model)		1	
11	302KX34110	2KX34110	LABEL OPERATION RUS (4in1 model)		1	

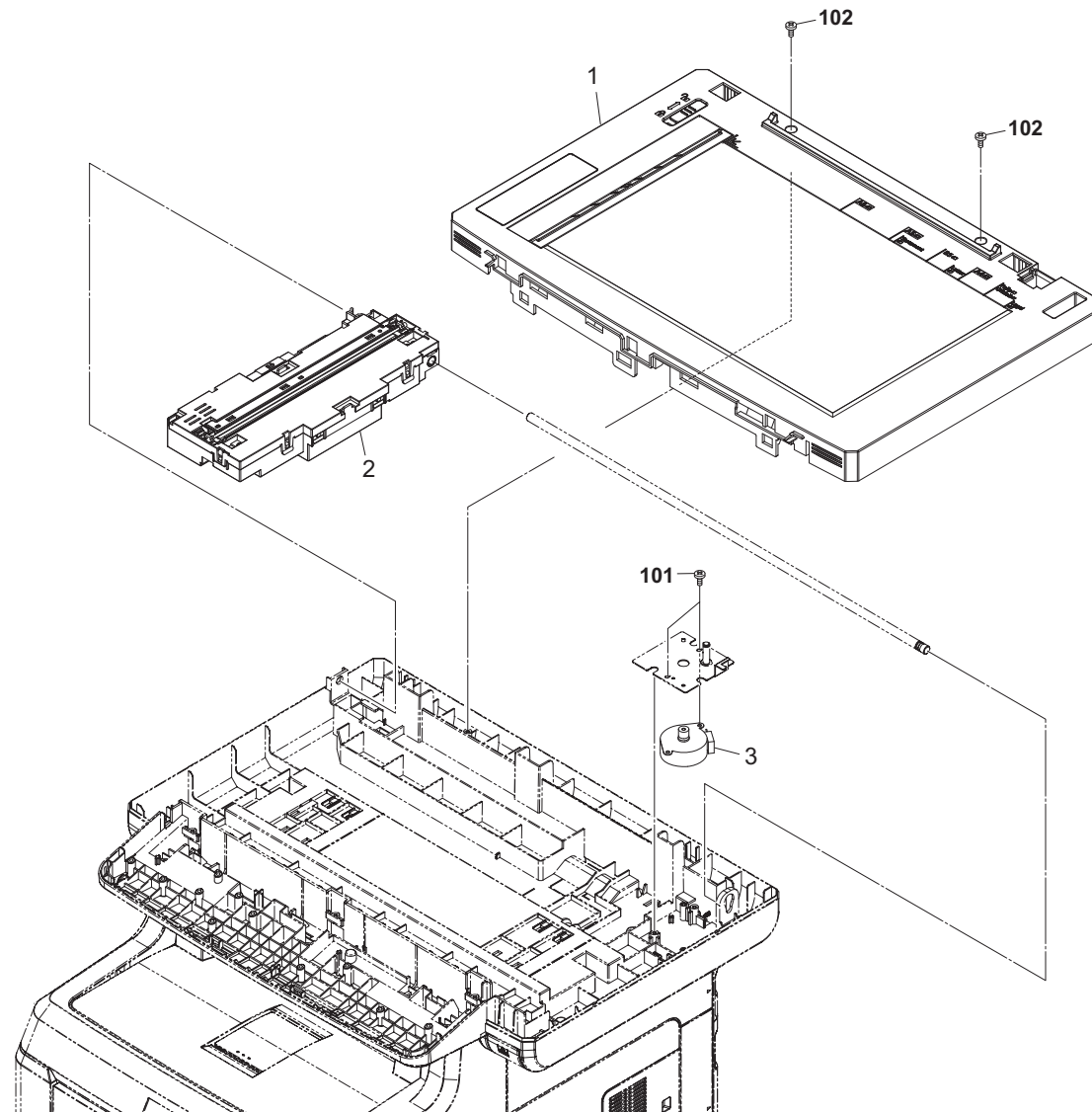


FIG. 15 Scanner Section

2KW/2KX

Ref. No.	Part.No.	Alternative Part.No.	Description	Quantity		
				120	230	240
1	302KW94070	2KW94070	PARTS FRAME ISU TOP ASSY SP	1	1	1
2	302KW93010	2KW93010	PARTS CARRIAGE ASSY	1	1	1
3	302LW94060	2LW94060	PARTS MOTOR ISU SP	1	1	1
101	7BB600306H	BB105730	+BIND M SCREW 3X6 R			
102	7BB200308H	BB105660	+BIND T.T P SCREW 3X8			

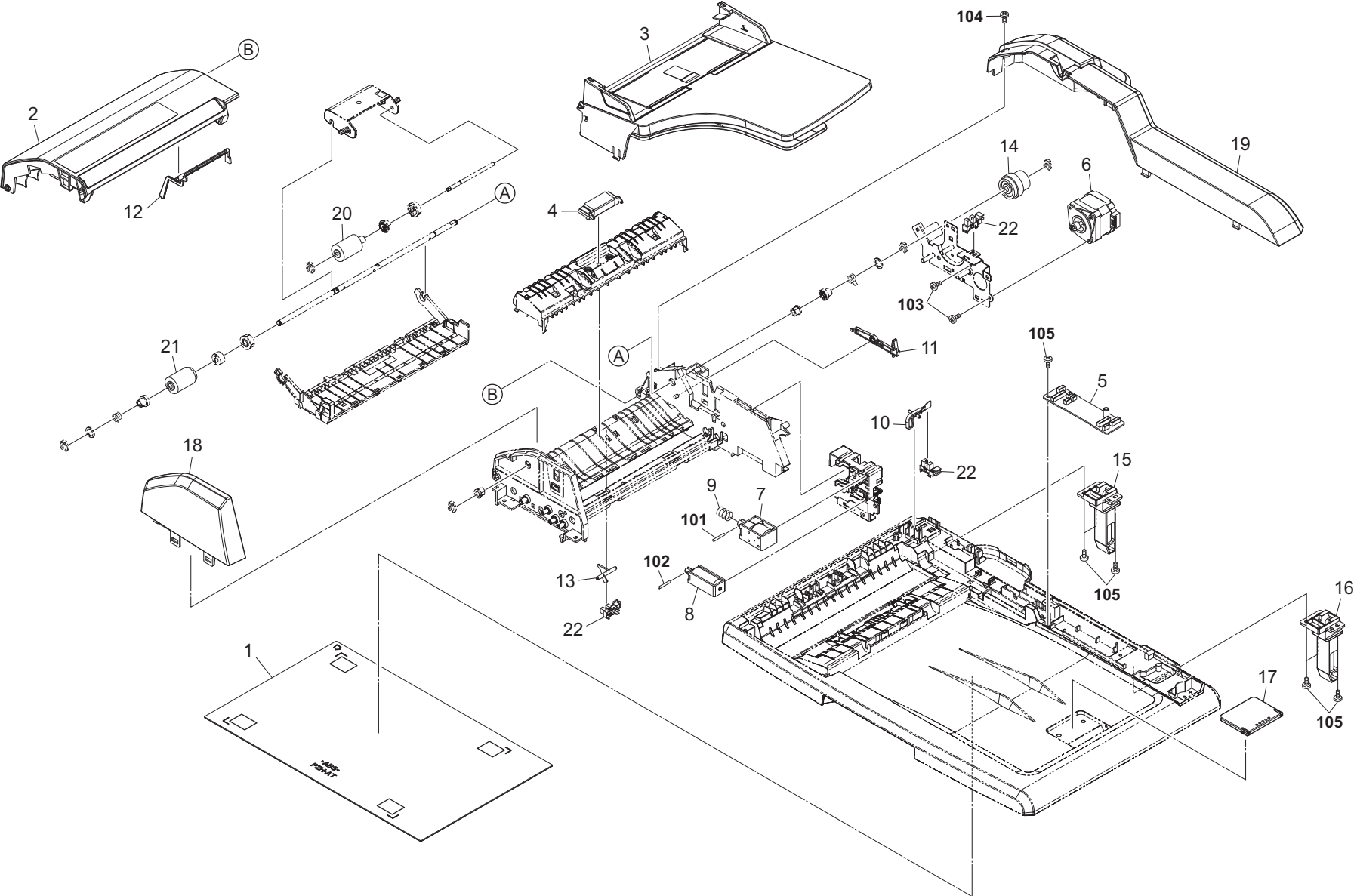


FIG. 16 Document Processor

2KW/2KX-1

Ref. No.	Part.No.	Alternative Part.No.	Description	Quantity		
				120	230	240
1	303LJ94070	3LJ94070	PARTS PLATE ORIGINAL SP	1	1	1
2	303M694010	3M694010	PARTS COVER PF ASSY	1	1	1
3	303LJ94120	3LJ94120	PARTS TABLE ASSY SP	1	1	1
4	303M694030	3M694030	PARTS SEPARATION PAD ASSY SP	1	1	1
5	303LJ94010	3LJ94010	PARTS DRIVER PWB ASSY SP	1	1	1
6	303LJ94061	3LJ94061	PARTS MOTOR DP SP	1	1	1
7	303LJ94140	3LJ94140	PARTS SOLENOID PRESSURE PULLEY SP	1	1	1
8	303LJ94150	3LJ94150	PARTS SOLENOID FEED SHIFT SP	1	1	1
9	303HL10200	3HL10200	SPRING LOOP	1	1	1
10	303K502200	3K502200	ACTUATOR BASE	1	1	1
11	303LJ02080	3LJ02080	ACTUATOR PUSH	1	1	1
12	303LJ07050	3LJ07050	ACTUATOR ORIGINAL	1	1	1
13	303LJ24080	3LJ24080	ACTUATOR TIMING	1	1	1
14	303LJ44040	3LJ44040	CLUTCH PAPER FEED	1	1	1
15	303M602020	3M602020	HINGE LEFT	1	1	1
16	303M602030	3M602030	HINGE RIGHT	1	1	1
17	303M602070	3M602070	STOPPER ORIGINAL	1	1	1
18	303M604010	3M604010	COVER FRONT	1	1	1
19	303M604020	3M604020	COVER REAR	1	1	1
20	36211110	36211110	PULLEY,LEADING FEED ADF	1	1	1
21	3BR07040	3BR07040	PULLEY,PAPER FEED	1	1	1
22	7NXSG2481+++H01	NX052600	SENSOR OPT.	3	3	3
101	E0130280	E0130280	SPRING PIN 3X28(SUS)			
102	E0120200	E0120200	SPRING PIN 2X20(SUS)			
103	7BB600306H	BB105730	+BIND M SCREW 3X6 R			
104	7BB200308H	BB105660	+BIND T.T P SCREW 3X8			
105	7BB202308H	BB105690	+TP-FLAT T.T P SCREW 3X8			
106	7BB202310H	BB063420	+TP-FLAT T.T P SCREW 3X10			

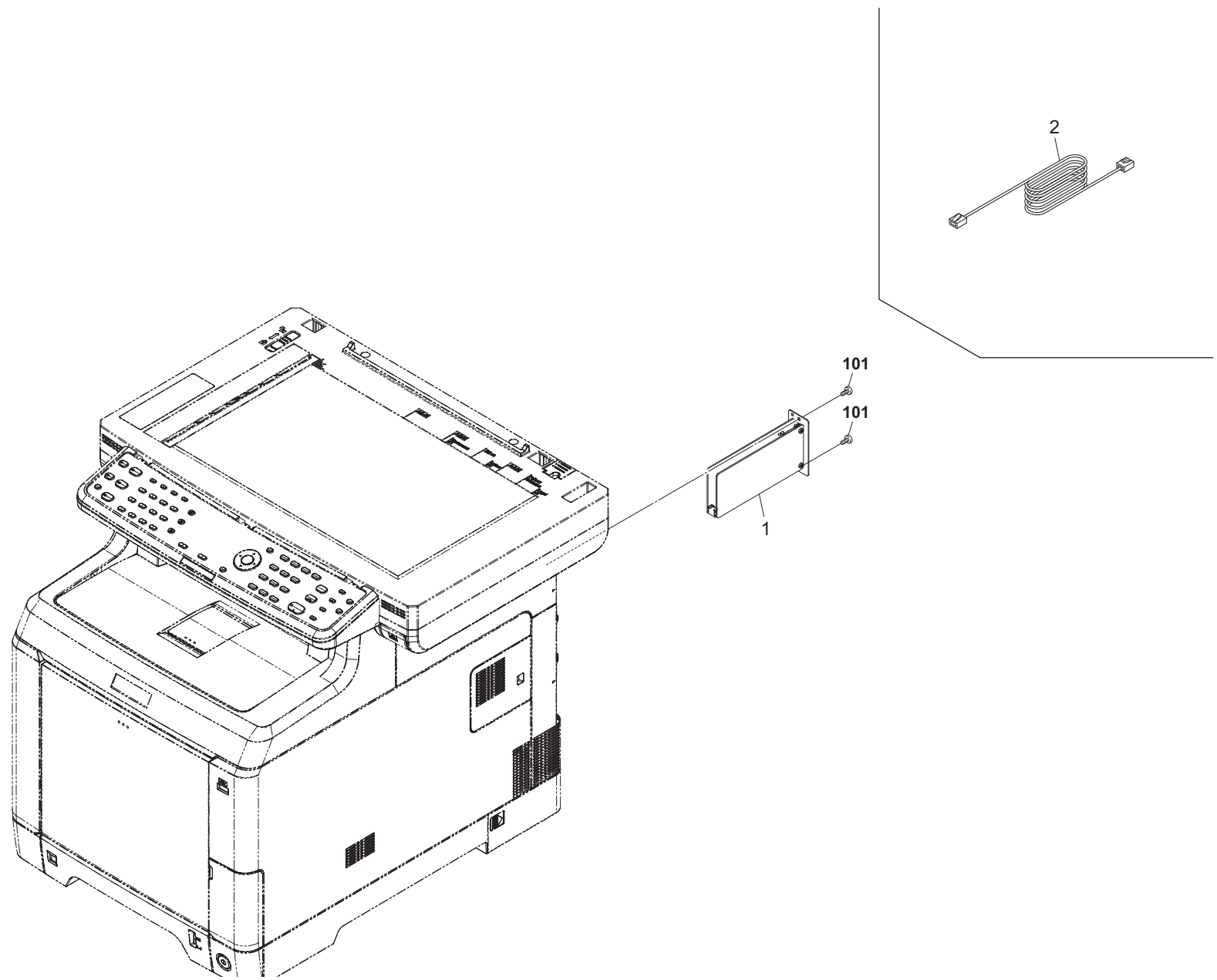


FIG. 17 FAX Section (4in1 model)

2KW/2KX

Ref. No.	Part.No.	Alternative Part.No.	Description	Quantity		
				120	230	240
1	302KX94050	2KX94050	PARTS FAX UNIT U SP	1		
1	302KX94040	2KX94040	PARTS FAX UNIT E SP		1	1
2	303HZ45010	3HZ45010	MODULAR CORD	1		
2	3063527482	63527482	MODULAR CORD AUSTRALIA			1
101	7BB700308H	BB105600	+BIND T.T S SCREW 3X8 SR			

FIG. 18 Maintenance Kits

2KW/2KX-1

Ref. No.	Part.No.	Alternative Part.No.	Description	Quantity		
				120	230	240
	1702KV7US0	072KV7US	MK-592/MAINTENANCE KIT (OPTION) DV-560 US (Y) DV-560 US (K) DV-560 US (C) DV-560 US (M) PARTS HOLDER RETARD ASSY SP DK-590 FK-590(U) PARTS HOLDER RETARD ASSY SP PARTS HOLDER FEED ASSY SP TR-590 ROLLER M/P ASSY /43487B0027 A4	1 1 1 1 1 1 4 1 1 1 1 1		
	1702KV8NLO	072KV8NL	MK-590/MAINTENANCE KIT (OPTION) DV-560(Y) DV-560(K) DV-560(C) DV-560(M) PARTS HOLDER RETARD ASSY SP DK-590 FK-590(E) PARTS HOLDER RETARD ASSY SP PARTS HOLDER FEED ASSY SP TR-590 ROLLER M/P ASSY /43487B0027 A4		1 1 1 1 1 1 4 1 1 1 1 1	1 1 1 1 1 1 4 1 1 1 1 1

INDEX

2KW/2KX-1

Part.No.	Alternative	Description	Fig.No.
1702KV7US0	072KV7US	MK-592/MAINTENANCE KIT	19
1702KV8NLO	072KV8NL	MK-590/MAINTENANCE KIT	19
3019527401	19527401	POWER CORD(120)	13
302F929050	2F929050	PULLEY FEED DU	4
302F944160	2F944160	FAN POWER PWB 50	12
302FV45020	2FV45020	AC CORD ASSY	13
302FV45040	2FV45040	AC CORD ASSY	13
302G634070	2G634070	LABEL ENERGY STAR	4
302HG44110	2HG44110	FAN MOTOR 50	13
302HN02611	2HN02611	FOOT	13
302HN08140	2HN08140	LUTCH	1
302HN44010	2HN44010	FAN MOTOR	12,13
302HN44090	2HN44090	MOTOR FUSER	12
302HN44180	2HN44180	SWITCH SIZE	12
302HN44210	2HN44210	FAN MOTOR	12
302HN93012	2HN93012	DV-560(K)	7
302HN93022	2HN93022	DV-560(Y)	7
302HN93032	2HN93032	DV-560(C)	7
302HN93042	2HN93042	DV-560(M)	7
302HN93252	2HN93252	DV-560 US (K)	7
302HN93262	2HN93262	DV-560 US (Y)	7
302HN93272	2HN93272	DV-560 US (C)	7
302HN93282	2HN93282	DV-560 US (M)	7
302KT04010	2KT04010	COVER LEFT BOTTOM	1
302KT04020	2KT04020	COVER RIGHT BOTTOM	1
302KT04030	2KT04030	COVER CABLE	1
302KT06050	2KT06050	ACTUATOR PE	3
302KT93040	2KT93040	CT-591	2
302KT94050	2KT94050	PARTS HOLDER RETARD ASSY SP	3
302KT94060	2KT94060	PARTS COVER WASTE ASSY SP	1
302KT94070	2KT94070	PARTS PWB ASSY CASSETTE SP	3
302KV00100	2KV00100	INLET ASSY	13
302KV02480	2KV02480	ACTUATOR DETECTION CONTAINER	13
302KV02C70	2KV02C70	ACTUATOR PUSH SWITCH	13
302KV04030	2KV04030	COVER LEFT	1
302KV04060	2KV04060	COVER LEFT REAR	1
302KV04070	2KV04070	COVER RIGHT REAR	1
302KV04110	2KV04110	COVER CONNECTOR	1
302KV04130	2KV04130	STRAP COVER REAR	1
302KV06090	2KV06090	ACTUATOR REGIST	3

Part.No.	Alternative	Description	Fig.No.
302KV06340	2KV06340	ACTUATOR B	3
302KV34090	2KV34090	LABEL MULTI LANGUAGE	5
302KV93010	2KV93010	DK-590	8
302KV93020	2KV93020	LK-590A	6
302KV93030	2KV93030	LK-590B	6
302KV93040	2KV93040	FK-590(E)	10
302KV93050	2KV93050	FK-590(U)	10
302KV93070	2KV93070	TR-590	9
302KV93090	2KV93090	DR-590A	11
302KV93100	2KV93100	DR-590B	11
302KV93110	2KV93110	WT-590	13
302KV94060	2KV94060	PARTS HIGH VOLTAGE UNIT SP	13
302KV94080	2KV94080	PARTS BUSH GEAR SP	12
302KV94110	2KV94110	PARTS COVER RIGHT ASSY SP	1
302KV94130	2KV94130	PARTS COVER MPF ASSY SP	4
302KV94140	2KV94140	PARTS SEPARATOR MPF ASSY SP	4
302KV94150	2KV94150	PARTS PLATE BOTTOM MPF ASSY SP	4
302KV94160	2KV94160	PARTS TRANSFER ASSY SP	5
302KV94170	2KV94170	PARTS CONVEYING ASSY SP	5
302KV94190	2KV94190	PARTS HOLDER FEED ASSY SP	3
302KV94200	2KV94200	PARTS HOLDER MIDDLE ROLLER ASSY SP	3
302KV94210	2KV94210	PARTS DRIVE FEED ASSY SP	11
302KV94220	2KV94220	PARTS DRIVE PRESS ASSY SP	11
302KV94230	2KV94230	PARTS DRIVE MPF ASSY SP	11
302KV94251	2KV94251	PARTS DU REAR COVER ASSY SP	5
302KV94270	2KV94270	PARTS MOTOR-DC ASSY Y SP	12
302KV94280	2KV94280	PARTS MOTOR-DC ASSY C SP	12
302KV94290	2KV94290	PARTS MOTOR-DC ASSY M SP	12
302KV94300	2KV94300	PARTS MOTOR-DC ASSY K SP	12
302KV94310	2KV94310	PARTS MOTOR-DC ASSY LSU SP	12
302KV94320	2KV94320	PARTS ID SENSOR ASSY SP	12
302KV94330	2KV94330	PARTS PWB ASSY EXIT SP	13
302KV94350	2KV94350	PARTS PWB ASSY RFID SP	12
302KV94360	2KV94360	PARTS PWB ASSY THERMISTOR SP	12
302KV94370	2KV94370	PARTS TONER FULL DETECT SP	13
302KW04030	2KW04030	COVER LEFT UPPER	1
302KW04040	2KW04040	COVER RIGHT UPPER	1
302KW04050	2KW04050	COVER REAR UPPER	1
302KW04090	2KW04090	PIN LID TOP	1
302KW05020	2KW05020	PANEL OPERATION	14

Part.No.	Alternative	Description	Fig.No.
302KW34010	2KW34010	LABEL OPERATION E	14
302KW34050	2KW34050	LABEL OPERATION GER	14
302KW34060	2KW34060	LABEL OPERATION FRA	14
302KW34070	2KW34070	LABEL OPERATION ITA	14
302KW34080	2KW34080	LABEL OPERATION SPA	14
302KW34090	2KW34090	LABEL OPERATION POR	14
302KW34100	2KW34100	LABEL OPERATION DUT	14
302KW34110	2KW34110	LABEL OPERATION RUS	14
302KW34120	2KW34120	LABEL PROGRAM	14
302KW93010	2KW93010	PARTS CARRIAGE ASSY	15
302KW94010	2KW94010	PARTS PWB MAIN ASSY SP	13
302KW94020	2KW94020	PARTS PWB MAIN ASSY SP EU	13
302KW94030	2KW94030	PARTS PWB ENGINE ASSY SP	12
302KW94040	2KW94040	PARTS SWITCHING REGULATOR 100V SP	13
302KW94050	2KW94050	PARTS SWITCHING REGULATOR 230V SP	13
302KW94060	2KW94060	PARTS OPERATION ASSY SP	14
302KW94070	2KW94070	PARTS FRAME ISU TOP ASSY SP	15
302KW94080	2KW94080	PARTS LID TOP M ASSY SP	1
302KW94090	2KW94090	PARTS COVER FRONT ASSY SP	1
302KW94100	2KW94100	PARTS COVER RIGHT UPPER ASSY SP	1
302KX04010	2KX04010	COVER CONNECTOR	1
302KX05020	2KX05020	PANEL OPERATION	14
302KX34010	2KX34010	LABEL OPERATION E	14
302KX34050	2KX34050	LABEL OPERATION GER	14
302KX34060	2KX34060	LABEL OPERATION FRA	14
302KX34070	2KX34070	LABEL OPERATION ITA	14
302KX34080	2KX34080	LABEL OPERATION SPA	14
302KX34090	2KX34090	LABEL OPERATION POR	14
302KX34100	2KX34100	LABEL OPERATION DUT	14
302KX34110	2KX34110	LABEL OPERATION RUS	14
302KX45010	2KX45010	SPEAKER	13
302KX94010	2KX94010	PARTS PWB MAIN ASSY SP	13
302KX94020	2KX94020	PARTS PWB MAIN ASSY SP EU	13
302KX94030	2KX94030	PARTS OPERATION ASSY SP	14
302KX94040	2KX94040	PARTS FAX UNIT E SP	17
302KX94050	2KX94050	PARTS FAX UNIT U SP	17
302LW94060	2LW94060	PARTS MOTOR ISU SP	15
303HL10200	3HL10200	SPRING LOOP	16
303HZ45010	3HZ45010	MODULAR CORD	17
303K502200	3K502200	ACTUATOR BASE	16

Part.No.	Alternative	Description	Fig.No.
303LJ02080	3LJ02080	ACTUATOR PUSH	16
303LJ07050	3LJ07050	ACTUATOR ORIGINAL	16
303LJ24080	3LJ24080	ACTUATOR TIMING	16
303LJ44040	3LJ44040	CLUTCH PAPER FEED	16
303LJ94010	3LJ94010	PARTS DRIVER PWB ASSY SP	16
303LJ94061	3LJ94061	PARTS MOTOR DP SP	16
303LJ94070	3LJ94070	PARTS PLATE ORIGINAL SP	16
303LJ94120	3LJ94120	PARTS TABLE ASSY SP	16
303LJ94140	3LJ94140	PARTS SOLENOID PRESSURE PULLEY SP	16
303LJ94150	3LJ94150	PARTS SOLENOID FEED SHIFT SP	16
303M602020	3M602020	HINGE LEFT	16
303M602030	3M602030	HINGE RIGHT	16
303M602070	3M602070	STOPPER ORIGINAL	16
303M604010	3M604010	COVER FRONT	16
303M604020	3M604020	COVER REAR	16
303M694010	3M694010	PARTS COVER PF ASSY	16
303M694030	3M694030	PARTS SEPARATION PAD ASSY SP	16
3063527482	63527482	MODULAR CORD AUSTRALIA	17
36211110	36211110	PULLEY,LEADING FEED ADF	16
3BR07040	3BR07040	PULLEY,PAPER FEED	16
5AAVR0LL+051	2CL16130	ROLLER M/P ASSY /43487B0027 A4	4
7NXGP1S173LCH01	NX116910	SENSOR OPT.	12,13
7NXSG2481+++H01	NX052600	SENSOR OPT.	16
7SM010104+++H01	SM055200	SW.MICRO	13
7SP01000001+H01	SP044290	SW.PUSH	13
7SP01000005+H01	SP119750	SW.PUSH	13

KYOCERA MITA EUROPE B.V.

Bloemlaan 4, 2132 NP Hoofddorp,
The Netherlands
Phone: +31.20.654.0000
Home page: <http://www.kyoceramita-europe.com>
Email: info@kyoceramita-europe.com

KYOCERA MITA NEDERLAND B.V.
Beechavenue 25, 1119RA Schiphol-Rijk
The Netherlands
Phone: +31.20.58.77.200

KYOCERA MITA (UK) LTD
8 Beacontree Plaza
Gillette Way Reading Berks RG2 0BS,
U.K.
Phone: +44.1189.311.500

KYOCERA MITA ITALIA S.p.A.
Via G. Verdi, 89 / 91, 20063 Cernusco s/N
Milano, Italy
Phone: +39.02.92179.1

S.A. KYOCERA MITA BELGIUM N.V.
Sint-Martinusweg 199-201, 1930 Zaventem,
Belgium
Phone: +32.2.720.9270

KYOCERA MITA FRANCE S.A.
Espace Technologique de St Aubin
Route de l' Orme
91195 Gif-sur-Yvette CEDEX, France
Phone: +33.1.6985.2600

KYOCERA MITA ESPAÑA S.A.
Edificio Kyocera, Avda de Manacor No. 2,
28290 Las Matas (Madrid),
Spain
Phone: +34.91.631.8392

KYOCERA MITA FINLAND OY
Atomitie 5C, 00370 Helsinki,
Finland
Phone: +358.9.4780.5200

KYOCERA MITA (SCHWEIZ)
Hohlstrasse 614, 8048 Zürich
Switzerland
Phone: +41.44.908.4949

KYOCERA MITA DEUTSCHLAND GMBH
Otto-Hahn-Str. 12 D-40670 Meerbusch,
Germany
Phone: +49.2159.918.0

KYOCERA MITA GMBH AUSTRIA
Eduard-Kittenberger-Gasse 95,
1230 Wien,
Austria
Phone: +43.1.86338

KYOCERA MITA SVENSKA AB
Esbogatan 16B 164 75 Kista,
Sweden
Phone: +46.8.546.55000

KYOCERA MITA NORGE
Postboks 150 Oppsal, NO 0619 Oslo
Olaf Helsetsvei 6, NO 0694 Oslo,
Norway
Phone: +47.22.62.73.00

KYOCERA MITA DANMARK A/S
Ejby Industrivej 1, DK-2600 Glostrup,
Denmark
Phone: +45.7022.3880

KYOCERA MITA PORTUGAL LDA.
Rua do Centro Cultural, 41 (Alvalade) 1700-106 Lisboa,
Portugal
Phone: +351.21.843.6780

KYOCERA MITA SOUTH AFRICA (PTY) LTD.
49 Kyalami Boulevard,
Kyalami Business Park Midrand,
South Africa
Phone: +27.(0)11.540.2600

KYOCERA MITA AMERICA, INC.

Headquarters:
225 Sand Road,
Fairfield, New Jersey 07004-0008,
U.S.A.
Phone: (973) 808-8444

KYOCERA MITA AUSTRALIA PTY. LTD.
Level 3, 6-10 Talavera Road, North Ryde,
N.S.W. 2113 Australia
Phone: (02) 9888-9999

KYOCERA MITA NEW ZEALAND LTD.
1-3 Parkhead Place, Albany
P.O. Box 302 125 NHPC, Auckland,
New Zealand
Phone: (09) 415-4517

KYOCERA MITA Asia Limited

16/F., Mita Centre,
552-566, Castle Peak Road,
Tsuen Wan, New Territories, Hong Kong
Phone: (852)-2610-2181

KYOCERA MITA Corporation

2-28, 1-chome, Tamatsukuri, Chuo-ku
Osaka 540-8585, Japan
Phone: (06) 6764-3555
<http://www.kyoceramita.com>

KYOCERA MITA AMERICA, INC.

Headquarters:

225 Sand Road,
Fairfield, New Jersey 07004-0008
TEL : (973) 808-8444
FAX : (973) 882-6000

New York Branch:

30-30 47th Avenue
Long Island City, NY 11101
TEL : (718) 289-2500
FAX : (718) 289-2501

Northeastern Region:

225 Sand Road,
Fairfield, New Jersey 07004-0008
TEL : (973) 808-8444
FAX : (973) 882-4401

Midwestern Region:

201 Hansen Court Suite 119
Wood Dale, Illinois 60191
TEL : (630) 238-9982
FAX : (630) 238-9487

Western Region:

14101 Alton Parkway,
Irvine, California 92618-7006
TEL : (949) 457-9000
FAX : (949) 457-9119

Southeastern Region:

3100 Breckinridge Blvd. NW Building 100,
Suite 105 Duluth, Georgia 30096
TEL : (770) 729-9786
FAX : (770) 729-9873

Southwestern Region:

2825 West Story Road,
Irving, Texas 75038-5299
TEL : (972) 550-8987
FAX : (972) 570-4704

National Operation Center & National Training Center:

2825 West Story Road,
Irving, Texas 75038-5299
TEL : (972) 659-0055
FAX : (972) 570-5816

Latin America Division:

8240 N.W. 52nd. Terrace Dawson Building,
Suite 108 Miami, Florida 33166
TEL : (305) 421-6640
FAX : (305) 421-6666

KYOCERA MITA CANADA, LTD.

6120 Kestrel Road, Mississauga,
Ontario L5T 1S8, Canada
TEL : (905) 670-4425
FAX : (905) 670-8116

KYOCERA MITA MEXICO, S.A. DE C.V.

Av. 16 de Septiembre #407
Col. Santa Inés,
Azcapotzalco México,
D.F. 02130, México
TEL : (55) 5383-2741
FAX : (55) 5383-7804

KYOCERA MITA Brazil Ltda.

Av. Tambore, 1180 Mob.B-09 CEP 06460-000
Tambore-Barveri-SP,
Brazil
TEL : (55) 11-4195-8496
FAX : (55) 11-4195-6167

KYOCERA MITA Asia Limited

16/F., Mita Centre,
552-566, Castle Peak Road,
Tsuen Wan, New Territories, Hong Kong
Phone: (852)-2610-2181

KYOCERA MITA (Thailand) Corp., Ltd.

335 Ratchadapisek Road, Bangsue,
Bangkok, 10800, Thailand
Phone: (66)-2-586-0333

KYOCERA MITA Singapore Pte Ltd.

121 Genting Lane, 3rd Level,
Singapore 349572
Phone: (65)-6741-8733

KYOCERA MITA Hong Kong Limited

16/F., Mita Centre,
552-566, Castle Peak Road,
Tsuen Wan, New Territories,
Hong Kong
Phone: (852)-2429-7422

KYOCERA MITA Taiwan Corporation

6F., No.37, Sec. 3, Minquan E. Rd.,
Zhongshan Dist., Taipei 104, Taiwan R.O.C.
Phone: (886)-2-2507-6709

KYOCERA MITA Korea Co., Ltd.

18F, Kangnam bldg, 1321-1,
Seocho-Dong, Seocho-Gu, Seoul, Korea
Phone: (822)-6933-4050

KYOCERA MITA India Private Limited

First Floor, ORCHID CENTRE
Sector-53, Golf Course Road, Gurgaon 122
002, India
Phone: (91)-0124-4671000

©2010 KYOCERA MITA Corporation

 is a trademark of Kyocera Corporation