



---

**FS-6025MFP/6025MFP/B**  
**FS-6030MFP**  
**TASKalfa 255/255b**  
**TASKalfa 305**

**PARTS LIST**

Published in February 2014

2K3PL072

842K3122

Rev.2



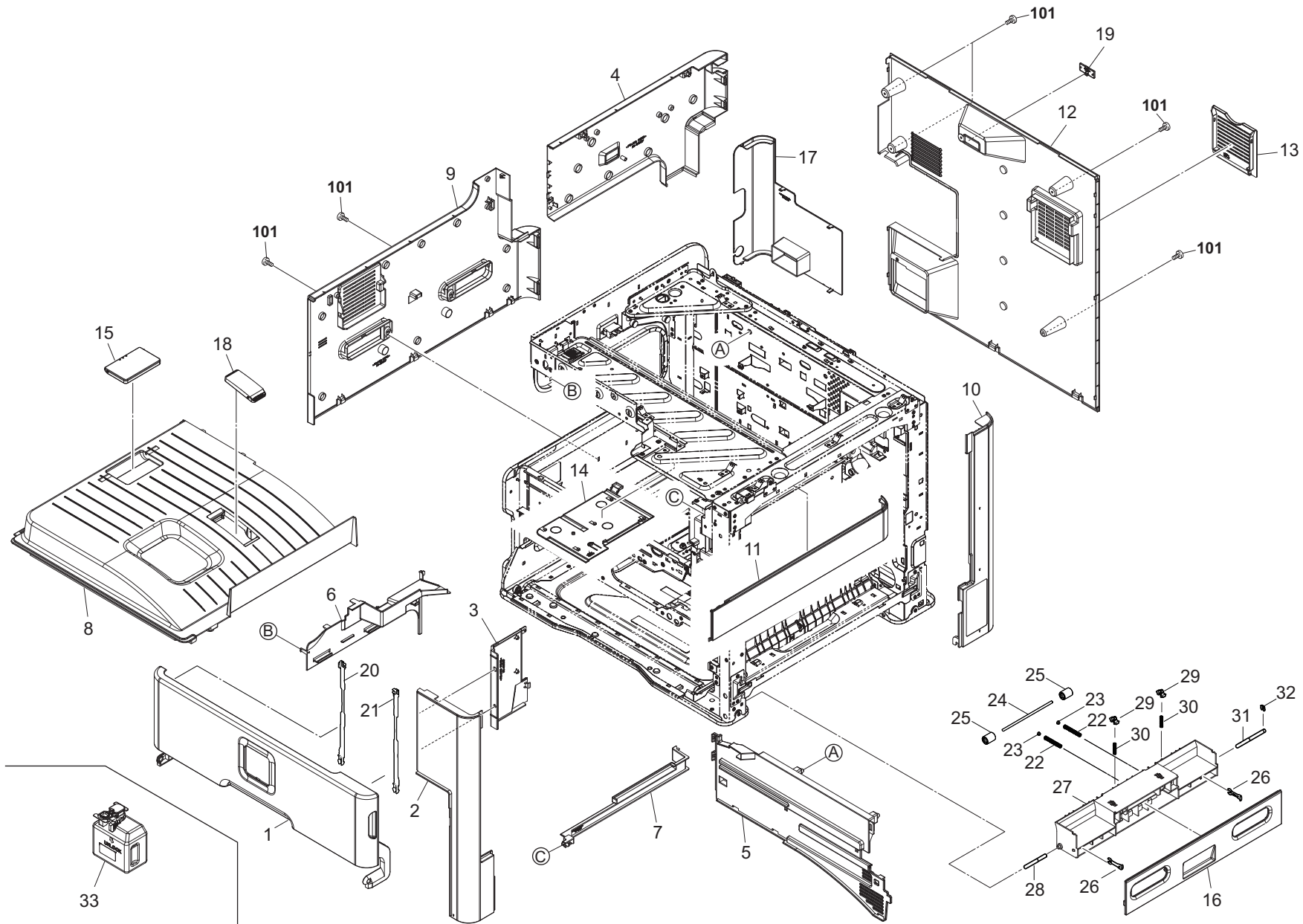


FIG. 1 Covers

2K3/2L3-2

Ref. No.	Part.No.	Alternative Part.No.	Description	Quantity		
				120	230	240
1	302K394430	2K394430	PARTS COVER FRONT ASSY 30 E SP(30ppm)		1	1
1	302L394020	2L394020	PARTS COVER FRONT ASSY 25 E SP(25ppm)		1	1
1	302K394440	2K394440	PARTS COVER FRONT ASSY 30 J/A SP(30ppm)	1		
1	302L394030	2L394030	PARTS COVER FRONT ASSY 25 J/A SP(25ppm)	1		
2	302K304020	2K304020	COVER FRONT TOP	1	1	1
3	302K304050	2K304050	COVER EXIT FRONT	1	1	1
4	302K394640	2K394640	PARTS COVER LEFT TOP ASSY SP	1	1	1
5	302K304040	2K304040	COVER EXIT REAR	1	1	1
6	302K304180	2K304180	COVER TRAY LEFT	1	1	1
7	302K304190	2K304190	COVER EXIT TOP	1	1	1
8	302K304030	2K304030	COVER TRAY	1	1	1
9	302K304100	2K304100	COVER LEFT LOW	1	1	1
10	302K304060	2K304060	COVER RIGHT REAR	1	1	1
11	302K394580	2K394580	PARTS COVER RIGHT TOP ASSY SP	1	1	1
12	302K394610	2K394610	PARTS COVER REAR ASSY SP	1		
12	302K394650	2K394650	PARTS COVER REAR EUR ASSY SP		1	1
13	302K304200	2K304200	COVER FILTER REAR	1	1	1
14	302K304290	2K304290	COVER EXIT FRONT TOP	1	1	1
15	302H004560	2H004560	STOPPER PAPER	1	1	1
16	302K304070	2K304070	COVER RIGHT LOW	1	1	1
17	302K304170	2K304170	LID CONTROLLER BOX	1	1	1
18	302K304370	2K304370	STOPPER PAPER B	1	1	1
19	302L302010	2L302010	LID D SUB (Original cover Standard model)	1	1	1
20	302K304320	2K304320	STRAP COVER FRONT L	1	1	1
21	302K304230	2K304230	STRAP COVER FRONT R	1	1	1
22	303NN24180	3NN24180	SPRING FEED LOW	2	2	2
23	2FM04150	5MVM163DN005	CAP SPRING /B-11 ENCLOSURE A4	2	2	2
24	302BG06152	2BG06152	SHAFT FEED B	1	1	1
25	3HY07120	3HY07120	PULLEY 15 DUPLEX	2	2	2
26	302H024510	2H024510	STOPPER SHUTTER	2	2	2
27	302K306320	2K306320	GUIDE COVER INNER	1	1	1
28	302K306330	2K306330	SHAFT INNER ROLLER F	1	1	1
29	302K306340	2K306340	STOPPER INNER GUIDE	2	2	2
30	302K306350	2K306350	SPRING INNER GUIDE	2	2	2
31	302K306380	2K306380	SHAFT INNER ROLLER R	1	1	1
32	5MVX111DN003	2A806250	RING STOPPER /A-49 FEED A4	1	1	1
33	302K393130	2K393130	WT-475	1	1	1
101	7BB702308H	BB107060	+TP-FLAT T.T S SCREW 3X8 SR			

•Parts with Ref.No. indicate maintenance parts and the ones without it indicate out of the above.

•Parts with "-" are component parts or sub-assemblies of the assembly appearing immediately above them.

•Parts with "•" are component parts or sub-assembly with "•" appearing immediately above them.

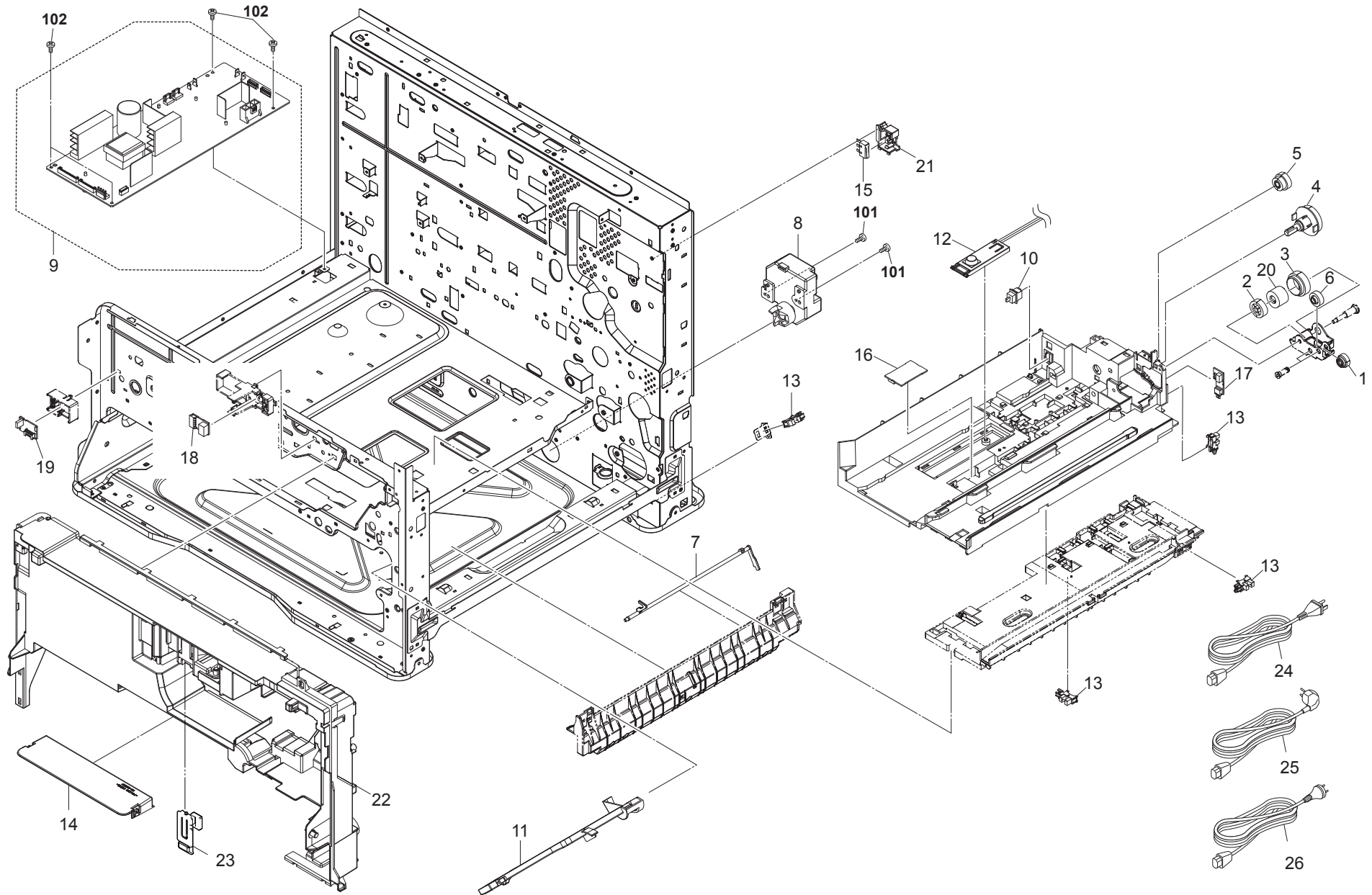


FIG. 2 Frames 1

2K3/2L3-2

Ref. No.	Part.No.	Alternative Part.No.	Description	Quantity		
				120	230	240
1	302K394260	2K394260	PARTS GEAR CONTAINER Z18L SP	1	1	1
2	302K394270	2K394270	PARTS GEAR CONTAINER Z25L SP	1	1	1
3	302K394280	2K394280	PARTS GEAR CONTAINER Z35R SP	1	1	1
4	302K394290	2K394290	PARTS GEAR CONTAINER Z24L-Z19R SP	1	1	1
5	302K394300	2K394300	PARTS GEAR CONTAINER Z41L SP	1	1	1
6	302K394390	2K394390	PARTS GEAR CONTAINER Z20R SP	1	1	1
7	302K302831	2K302831	ACTUATOR DECK FEED	1	1	1
8	302K394190	2K394190	PARTS MOTOR LIFT ASSY SP	1	1	1
9	302K394110	2K394110	PARTS LVU MAIN 120 SP	1		
9	302K394121	2K394121	PARTS LVU MAIN 200 SP		1	1
10	7SP01000001+H01	SP044290	SW.PUSH	1	1	1
11	302K302811	2K302811	ACTUATOR PAPER EMPTY	1	1	1
12	302KK94070	2KK94070	PARTS CONT SENSOR ASSY SP	1	1	1
13	7NXGP1S173LCH01	NX116910	SENSOR OPT.	4	4	4
14	302K304080	2K304080	COVER INNER LOW	1	1	1
15	7SM010202+++H01	SM044270	SW.MICRO	1	1	1
16	302K394070	2K394070	PARTS PWB RFID ASSY SP	1	1	1
17	302K394090	2K394090	PARTS PWB DEVE CONNECT ASSY SP	1	1	1
18	302K394080	2K394080	PARTS PWB DRUM CONNECT ASSY SP	1	1	1
19	302K394100	2K394100	PARTS PWB HUMIDITY SENSOR ASSY SP	1	1	1
20	302MW31010	2MW31010	TORQUE LIMITER 4000	1	1	1
21	302K302940	2K302940	MOUNT RIGHT INTERLOCK	1	1	1
22	302K304221	2K304221	COVER INNER FRONT	1	1	1
23	302K304280	2K304280	STOPPER CONTAINER	1	1	1
23	3019527401	19527401	POWER CORD(120)	1		
25	302AR94050	2AR94050	PARTS AC CORD EU SP		1	
26	7AAACCAS+10H001	AA063380	AC CORD ASSY AS			1
101	7BB700312H	BB106820	+BIND T.T S SCREW 3X12 SR			
102	7BB700308H	BB105600	+BIND T.T S SCREW 3X8 SR			

•Parts with Ref.No. indicate maintenance parts and the ones without it indicate out of the above.

•Parts with "-" are component parts or sub-assemblies of the assembly appearing immediately above them.

•Parts with "•" are component parts or sub-assembly with "-" appearing immediately above them.

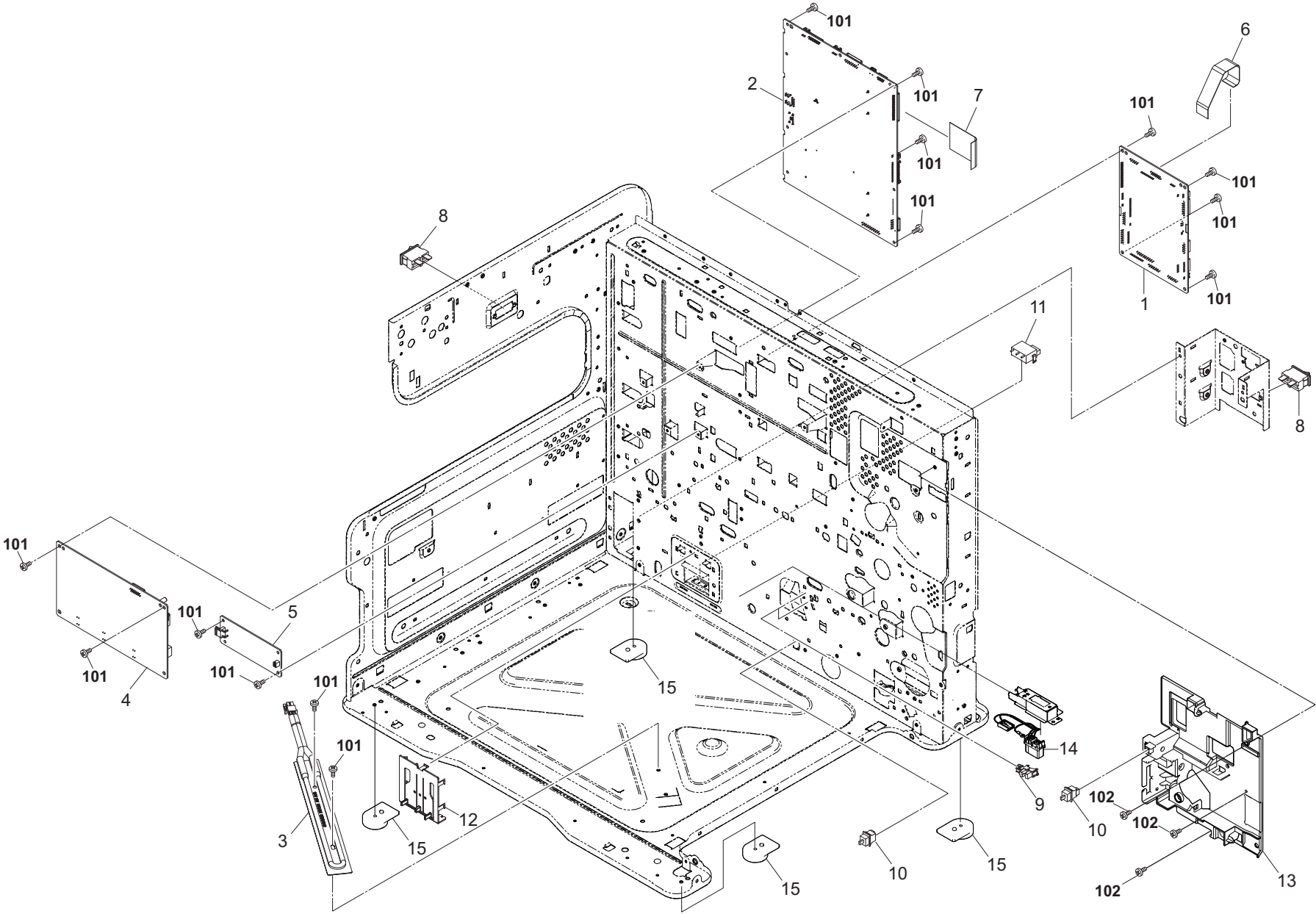


FIG. 3 Frames 2

2K3/2L3-2

Ref. No.	Part.No.	Alternative Part.No.	Description	Quantity		
				120	230	240
1	302K394042	2K394042	PARTS PWB ENGINE ASSY SP	1	1	1
2	302K394011	2K394011	PARTS PWB MAIN ASSY SP	1		1
2	302K394021	2K394021	PARTS PWB MAIN ASSY SP EU		1	
3	302K302430	2K302430	HEATER DEHUMIDIFIER 120	1		
3	302K302440	2K302440	HEATER DEHUMIDIFIER 240		1	1
4	302K394140	2K394140	PARTS HVU SP	1	1	1
5	302K394151	2K394151	PARTS LVU SUB 100 SP	1		
5	302K394161	2K394161	PARTS LVU SUB 200 SP		1	1
6	302K346370	2K346370	FFC ENGINE-HVU	1	1	1
7	302K346380	2K346380	FFC ENGINE-MAIN	1	1	1
8	7SC010105+++H01	SC125000	SW.SEESAW	2	2	2
9	7NXGP1S173LCH01	NX116910	SENSOR OPT.	2	2	2
10	7SP01000001+H01	SP044290	SW.PUSH	2	2	2
11	5ESP03090001+01	SP000360	PUSH SWITCH 03 SN /SW-192 N	1	1	1
12	302K309410	2K309410	PLATE SIZE DETECTION	1	1	1
13	302K302170	2K302170	FRAME REAR UPPER	1	1	1
14	302K346660	2K346660	WIRE PF DRAWER 200		1	1
14	302K346470	2K346470	WIRE PF DRAWER	1		
15	302K302930	2K302930	FOOT	4	4	4
101	7BB700308H	BB105600	+BIND T.T S SCREW 3X8 SR			
102	7BB702308H	BB107060	+TP-FLAT T.T S SCREW 3X8 SR			

•Parts with Ref.No. indicate maintenance parts and the ones without it indicate out of the above.

•Parts with "\*" are component parts or sub-assemblies of the assembly appearing immediately above them.

•Parts with "• •" are component parts or sub-assembly with "•" appearing immediately above them.



FIG. 4 Paper Cassette

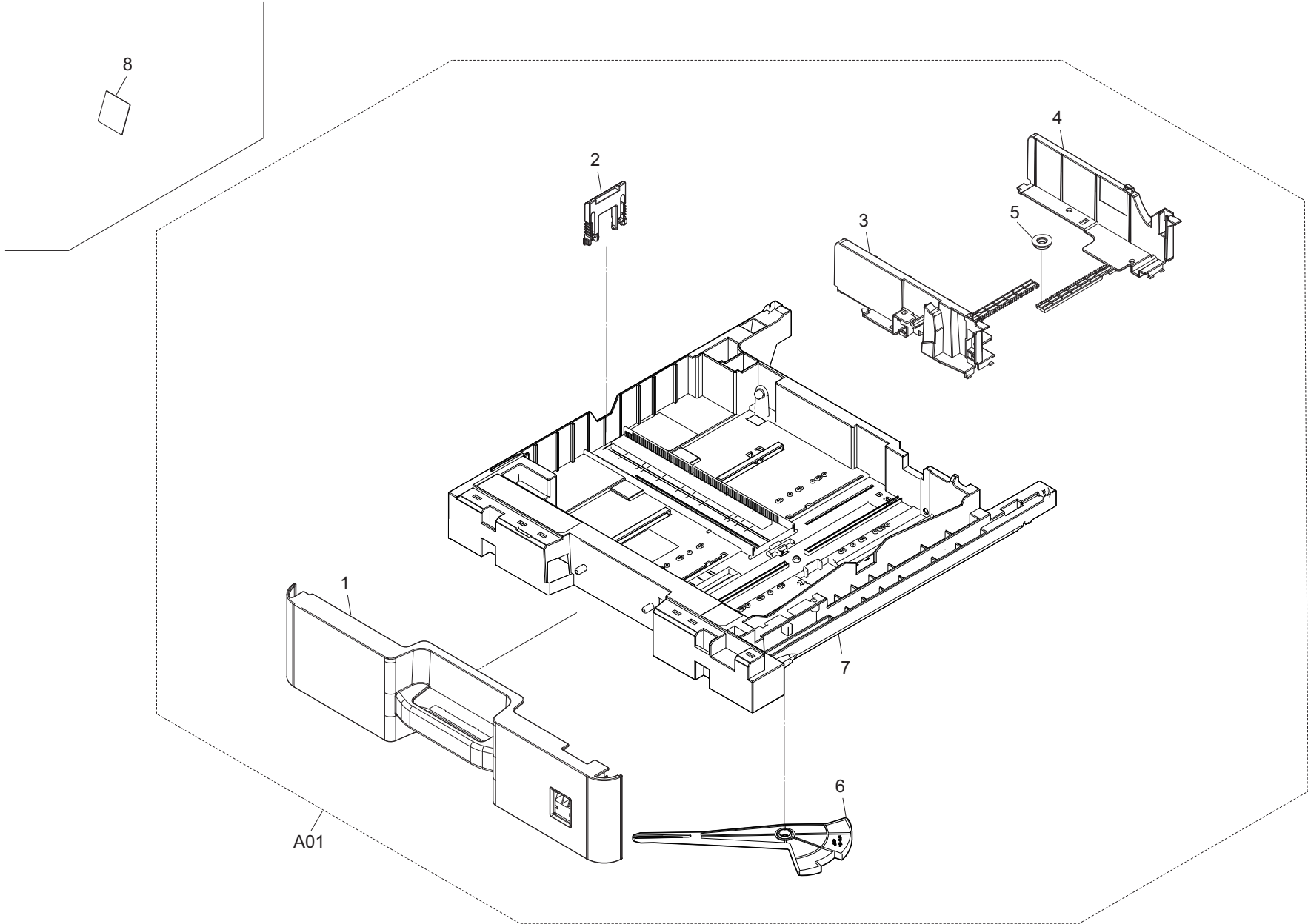


FIG. 4 Paper Cassette

2K3/2L3-2

Ref. No.	Part.No.	Alternative Part.No.	Description	Quantity		
				120	230	240
A01	302K393174	2K393174	CT-475	1	1	1
1	•302K309080	2K309080	COVER CASSETTE	1	1	1
2	•302K309270	2K309270	CURSOR END	1	1	1
3	•302K309130	2K309130	CURSOR CASSETTE FRONT	1	1	1
4	•302K309120	2K309120	CURSOR CASSETTE REAR	1	1	1
5	•302K394380	2K394380	PARTS GEAR Z18 SP	1	1	1
6	•302K309041	2K309041	ARM SIZE DETECTION	1	1	1
7	•302K309021	2K309021	BASE CASSETTE	1	1	1
8	302K334090	2K334090	SHEET CASSETTE C		1	1
8	302K334100	2K334100	SHEET CASSETTE I	1		

•Parts with Ref.No. indicate maintenance parts and the ones without it indicate out of the above.

•Parts with "-" are component parts or sub-assemblies of the assembly appearing immediately above them.  
 •Parts with "•" are component parts or sub-assembly with "•" appearing immediately above them.

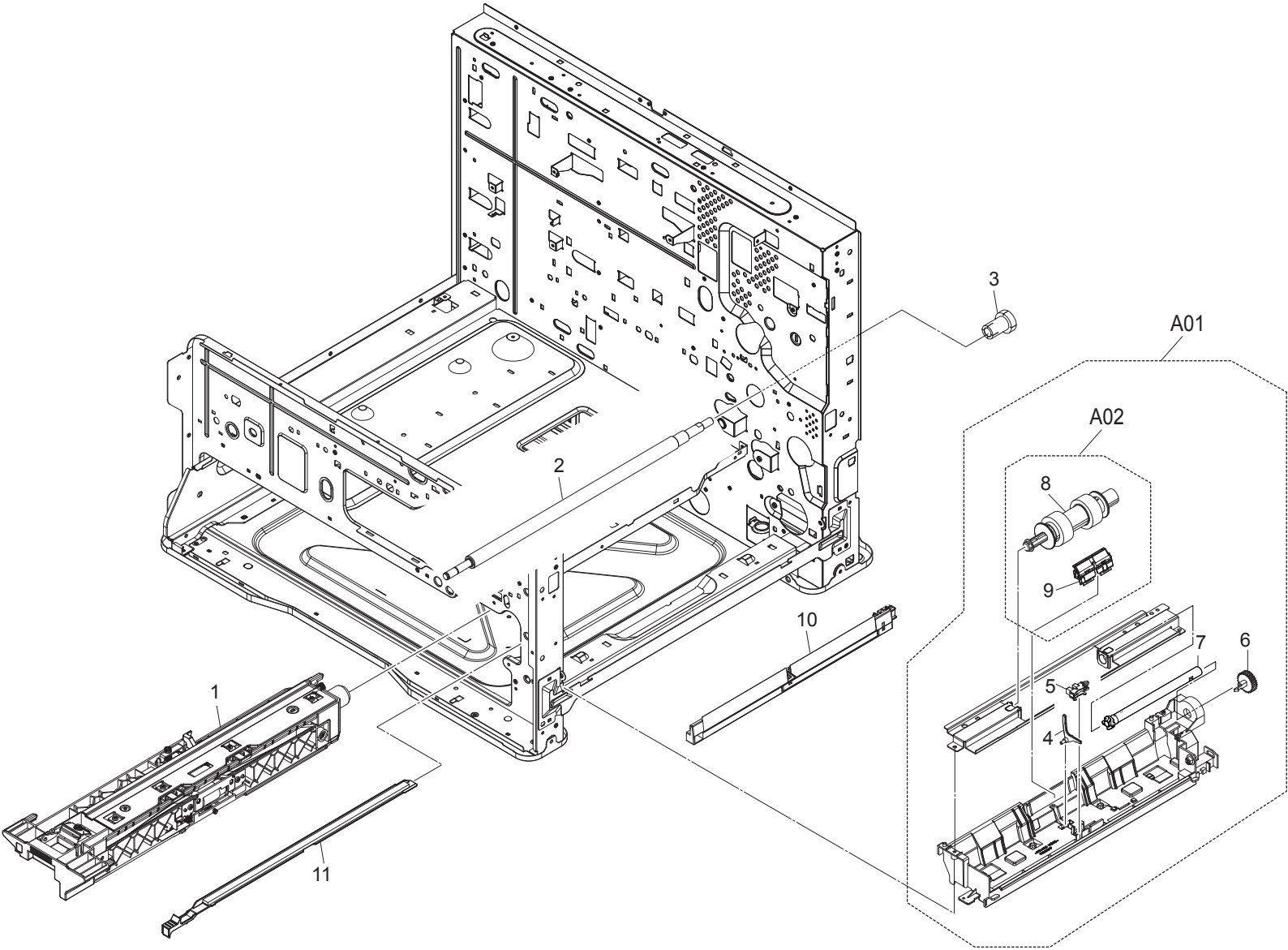


FIG. 5 Paper Feed Section

2K3/2L3-2

Ref. No.	Part.No.	Alternative Part.No.	Description	Quantity		
				120	230	240
1	302K394480	2K394480	PRIMARY FEED UNIT	1	1	1
2	302K394230	2K394230	PARTS ROLLER REGIST LEFT SP	1	1	1
3	302K394310	2K394310	PARTS GEAR REGIST Z28L-Z18L SP	1	1	1
A01	302K394501	2K394501	PARTS MPF UNIT	1	1	1
4	•302K308020	2K308020	ACTUATOR MPF	1	1	1
5	•7NXGP1S173LCH01	NX116910	SENSOR OPT.	1	1	1
6	•302K394320	2K394320	PARTS GEAR MPF Z28 SP	1	1	1
7	•302K308080	2K308080	SHAFT MPF	1	1	1
A02	•302K394621	2K394621	MPF ROLLER-PAD SET (for customer)	1	1	1
8	••302K394460	2K394460	MPF ROLLER (service only)	1	1	1
9	••302K394491	2K394491	SEPARATION PAD (service only)	1	1	1
10	302K394540	2K394540	PARTS FEED UNIT ASSY SP	1	1	1
11	302K394450	2K394450	REGIST CLEANER	1	1	1

•Parts with Ref.No. indicate maintenance parts and the ones without it indicate out of the above.

•Parts with "•" are component parts or sub-assemblies of the assembly appearing immediately above them.  
 •Parts with "• •" are component parts or sub-assembly with "•" appearing immediately above them.

FIG. 6 Exit Section

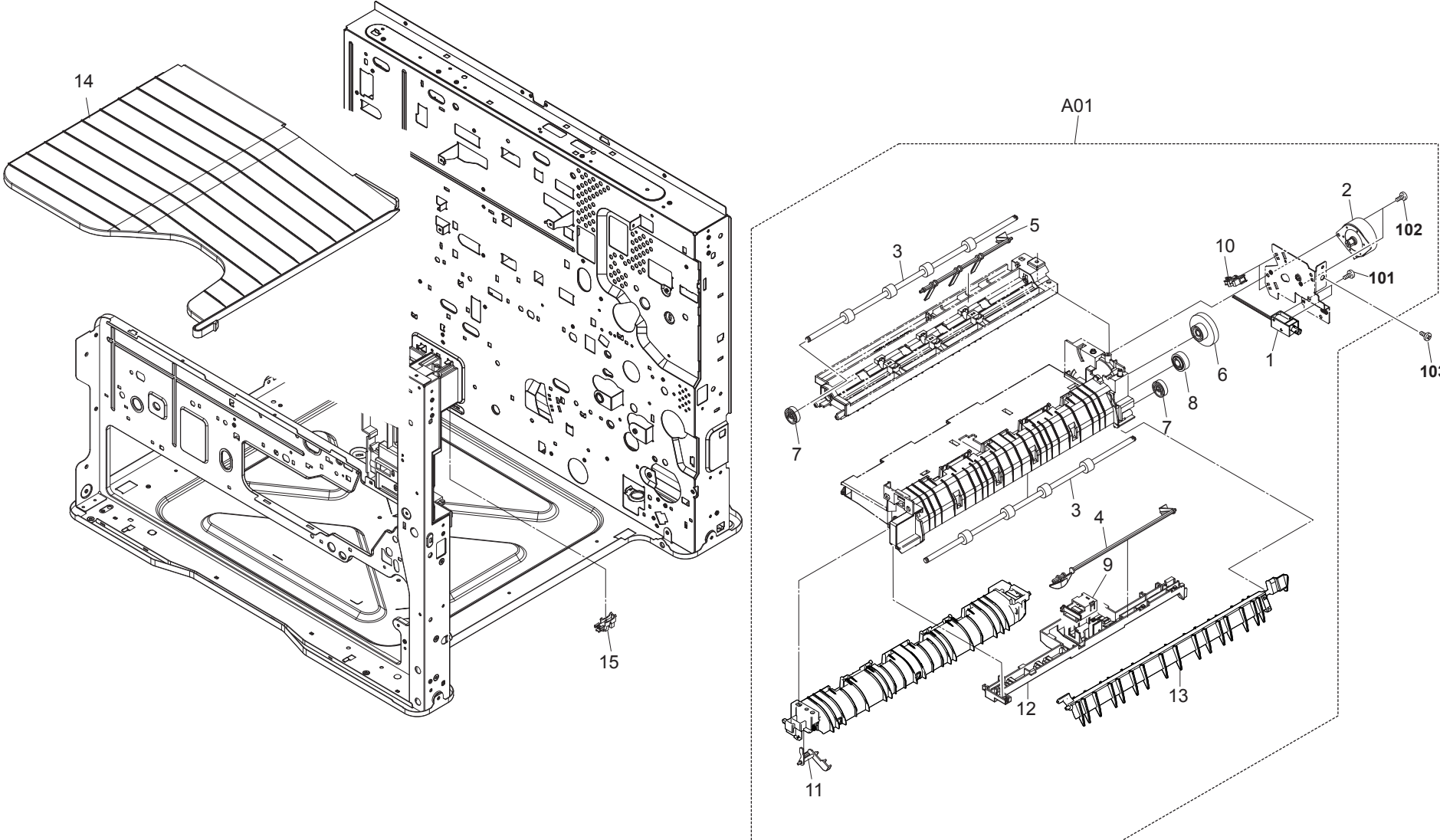


FIG. 6 Exit Section

2K3/2L3-2

Ref. No.	Part.No.	Alternative Part.No.	Description	Quantity		
				120	230	240
A01	302K394520	2K394520	PARTS EXIT UNIT	1	1	1
1	•302F944090	2F944090	SOLENOID ASSY	1	1	1
2	•302HN44100	2HN44100	MOTOR REVERSE	1	1	1
3	•302K394240	2K394240	PARTS ROLLER EXIT SP	2	2	2
4	•302K328060	2K328060	ACTUATOR EXIT OVERFLOW	1	1	1
5	•302K328070	2K328070	ACTUATOR EXIT UPPER SWITCH	1	1	1
6	•302K394340	2K394340	PARTS GEAR Z74R-Z22S EXIT SP	1	1	1
7	•302K394350	2K394350	PARTS GEAR Z22S EXIT SP	2	2	2
8	•302K394360	2K394360	PARTS GEAR Z25S EXIT INPUT SP	1	1	1
9	•302K394180	2K394180	PARTS SWITCH EXIT PAPER EMPTY SP	1	1	1
10	•7NXGP1S173LCH01	NX116910	SENSOR OPT.	2	2	2
11	•302K328160	2K328160	ARM ACTUATOR EXIT	1	1	1
12	•302K328181	2K328181	LID EXIT EMPTY SWITCH	1	1	1
13	•302K328050	2K328050	GUIDE CHANGE	1	1	1
14	302K328300	2K328300	TRAY EJECT	1	1	1
15	7NXGP1S173LCH01	NX116910	SENSOR OPT.	1	1	1
101	7BB000303H	BB107000	+BIND M SCREW 3X3			
102	7BB700308H	BB105600	+BIND T.T S SCREW 3X8 SR			
103	7BB702308H	BB107060	+TP-FLAT T.T S SCREW 3X8 SR			

•Parts with Ref.No. indicate maintenance parts and the ones without it indicate out of the above.

•Parts with "-" are component parts or sub-assemblies of the assembly appearing immediately above them.

•Parts with "• •" are component parts or sub-assembly with "•" appearing immediately above them.

FIG. 7 Paper Conveying Section

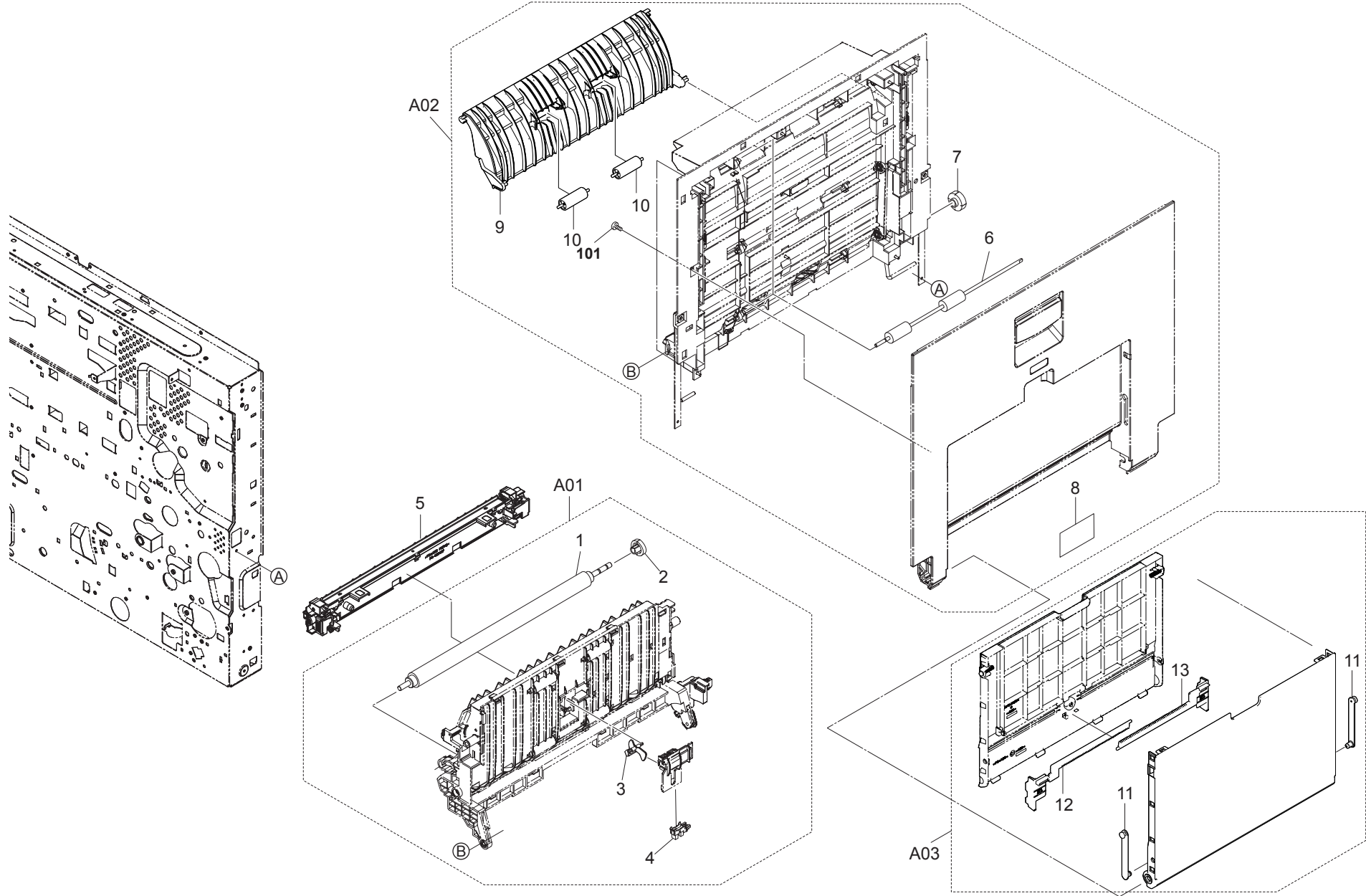


FIG. 7 Paper Conveying Section

2K3/2L3-2

Ref. No.	Part.No.	Alternative Part.No.	Description	Quantity		
				120	230	240
A01	302K394510	2K394510	PARTS CONVEYING UNIT	1	1	1
1	•302K394220	2K394220	PARTS ROLLER REGIST RIGHT SP	1	1	1
2	•302K394330	2K394330	PARTS GEAR REGIST Z24R SP	1	1	1
3	•302K329040	2K329040	ACTUATOR DU	1	1	1
4	•7NXGP1S173LCH01	NX116910	SENSOR OPT.	1	1	1
5	302K393090	2K393090	TR-475	1	1	1
A02	302K394531	2K394531	PARTS RIGHT COVER UNIT	1	1	1
6	•302K394250	2K394250	PARTS ROLLER DU SP	3	3	3
7	•302K394400	2K394400	PARTS GEAR DU Z27L SP	1	1	1
8	•302K334480	2K334480	LABEL COVER CAUTION 9NATIONS	1	1	1
9	•302K328200	2K328200	GUIDE EXIT RIGHT	1	1	1
10	•302K329020	2K329020	PULLEY DU	2	2	2
A03	302K394470	2K394470	PARTS MPF TABLE ASSY SP	1	1	1
11	•302K308460	2K308460	STRAP LINK MPF	2	2	2
12	•302K308440	2K308440	CURSOR FRONT MPF	1	1	1
13	•302K308450	2K308450	CURSOR REAR MPF	1	1	1
101	7BB200308H	BB105660	+BIND T.T P SCREW 3X8			

•Parts with Ref.No. indicate maintenance parts and the ones without it indicate out of the above.

•Parts with "•" are component parts or sub-assemblies of the assembly appearing immediately above them.

•Parts with "• •" are component parts or sub-assembly with "•" appearing immediately above them.



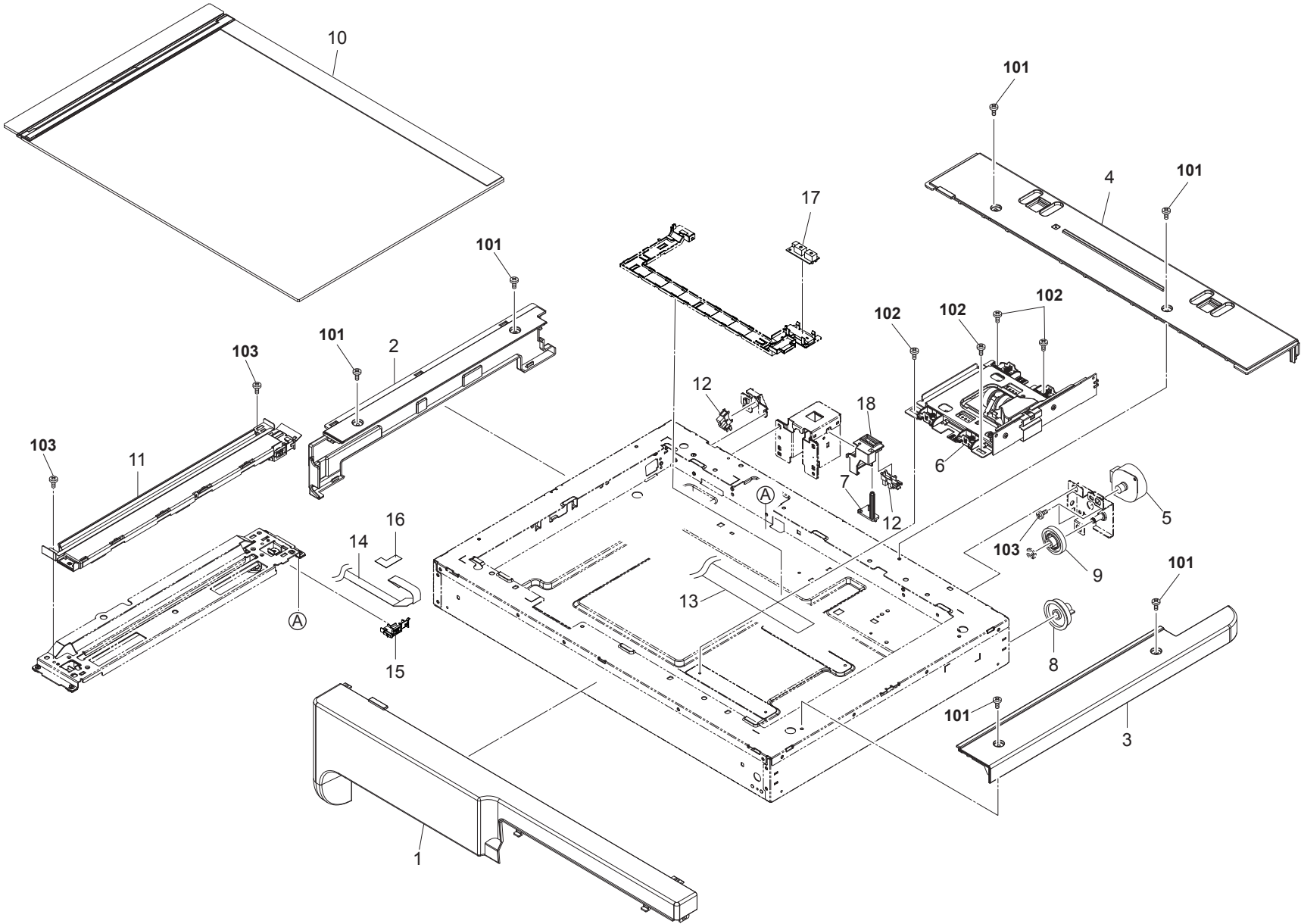


FIG. 8 Scanner Section

2K3/2L3-2

Ref. No.	Part.No.	Alternative Part.No.	Description	Quantity		
				120	230	240
1	302K304121	2K304121	COVER ISU FRONT	1	1	1
2	302K304131	2K304131	COVER ISU LEFT	1	1	1
3	302K394590	2K394590	PARTS COVER ISU RIGHT ASSY A SP	1	1	1
4	302K304150	2K304150	COVER ISU REAR	1	1	1
5	302K394210	2K394210	PARTS MOTOR ISU SP	1	1	1
6	302K393152	2K393152	PARTS ISU	1	1	1
7	302K317250	2K317250	SWITCH RELEASE	1	1	1
8	302K317350	2K317350	GEAR Z54	1	1	1
9	302K394370	2K394370	PARTS GEAR Z18-Z63R SP	1	1	1
10	302K394560	2K394560	PARTS CONTACT-GLASS ASSY(I) SP	1		
10	302K394550	2K394550	PARTS CONTACT-GLASS ASSY(C) SP		1	1
11	302K393160	2K393160	PARTS MOUNT LED ASSY	1	1	1
12	7NXGP1S173LCH01	NX116910	SENSOR OPT.	2	2	2
13	302K346411	2K346411	FFC MAIN-CCD	1	1	1
14	302K346401	2K346401	FFC MAIN-LED LAMP	1	1	1
15	302K317172	2K317172	GUIDE FFC LED C	1	1	1
16	302K317791	2K317791	SHEET FFC LED	1	1	1
17	302H044110	2H044110	SENSOR ORIGINAL	1	1	1
18	302K317260	2K317260	MOUNT RELEASE SWITCH	1	1	1
101	7BB702308H	BB107060	+TP-FLAT T.T S SCREW 3X8 SR			
102	7BB606308H	BB105280	+PAN M SCREW WITH SW W 3X8 R			
103	7BB700308H	BB105600	+BIND T.T S SCREW 3X8 SR			

•Parts with Ref.No. indicate maintenance parts and the ones without it indicate out of the above.

•Parts with "\*" are component parts or sub-assemblies of the assembly appearing immediately above them.

•Parts with "\*•" are component parts or sub-assembly with "\*" appearing immediately above them.

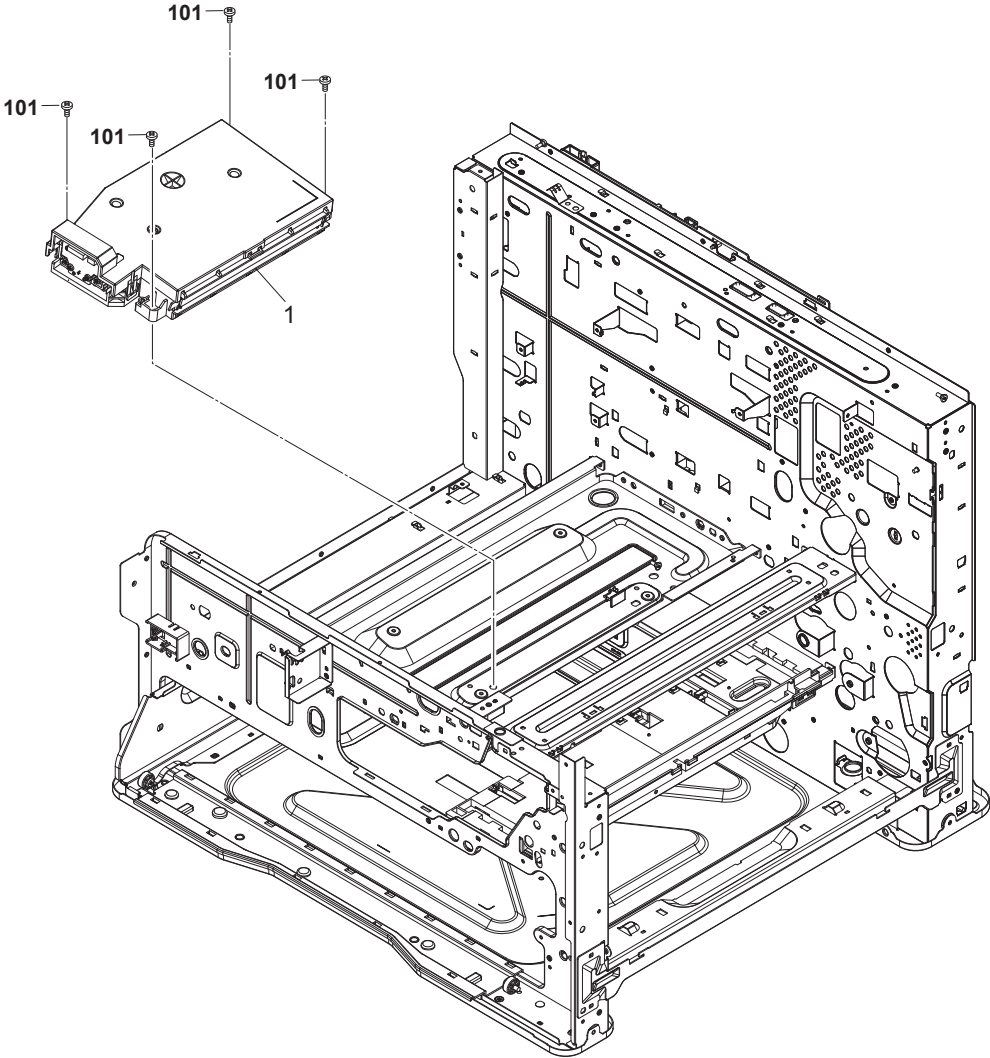


FIG. 9 Laser Scanner Section

2K3/2L3-2

Ref. No.	Part.No.	Alternative Part.No.	Description	Quantity		
				120	230	240
1	302K393072	2K393072	LK-475	1	1	1
101	7BB702308H	BB107060	+TP-FLAT T.T S SCREW 3X8 SR			

•Parts with Ref.No. indicate maintenance parts and the ones without it indicate out of the above.

•Parts with "\*" are component parts or sub-assemblies of the assembly appearing immediately above them.  
 •Parts with "• •" are component parts or sub-assembly with "\*" appearing immediately above them.

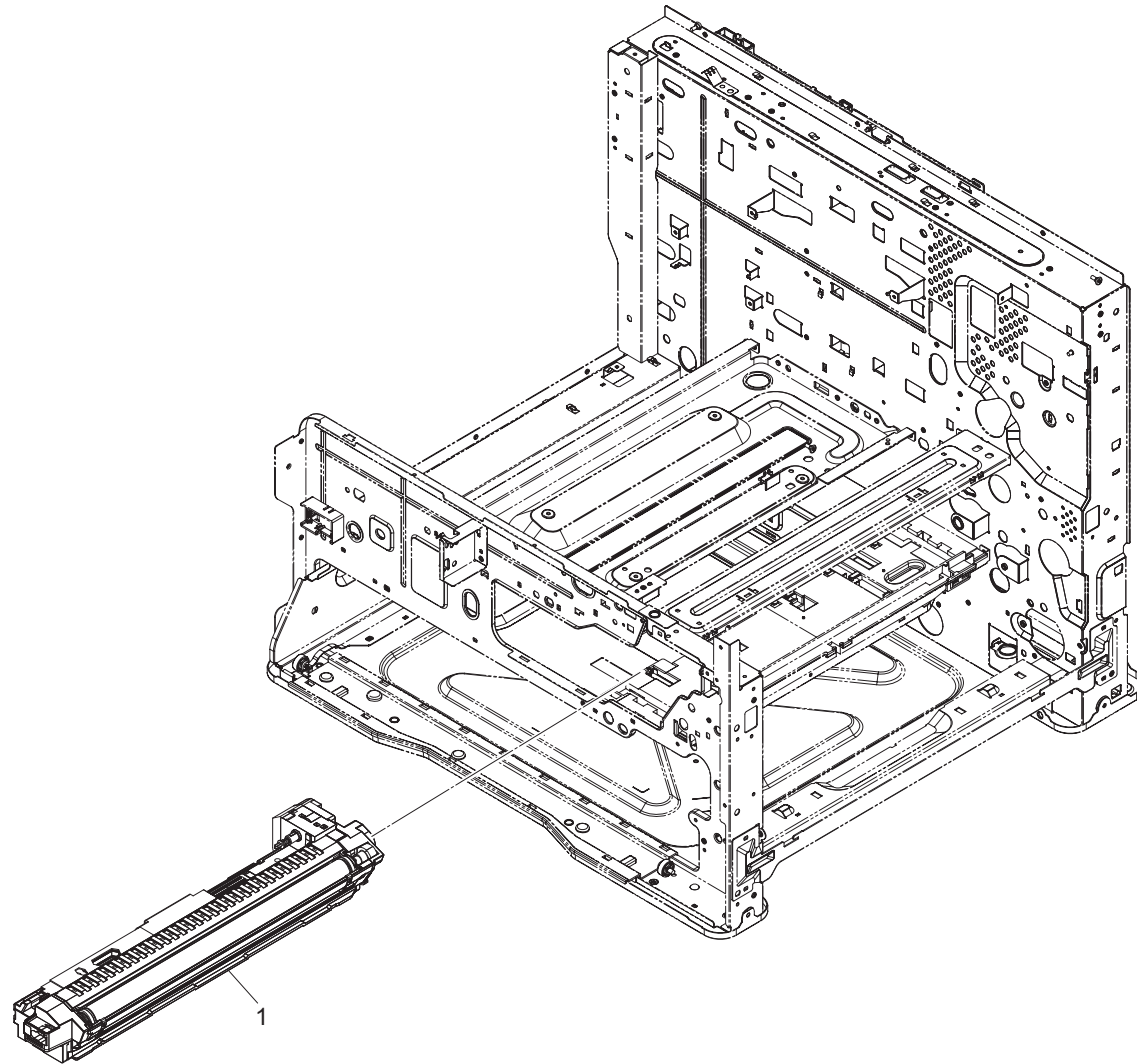


FIG. 10 Developing Section

2K3/2L3

Ref. No.	Part.No.	Alternative Part.No.	Description	Quantity		
				120	230	240
1	302K393040	2K393040	DV-475	1	1	1

•Parts with Ref.No. indicate maintenance parts and the ones without it indicate out of the above.

•Parts with "." are component parts or sub-assemblies of the assembly appearing immediately above them.  
 •Parts with "• •" are component parts or sub-assembly with "." appearing immediately above them.

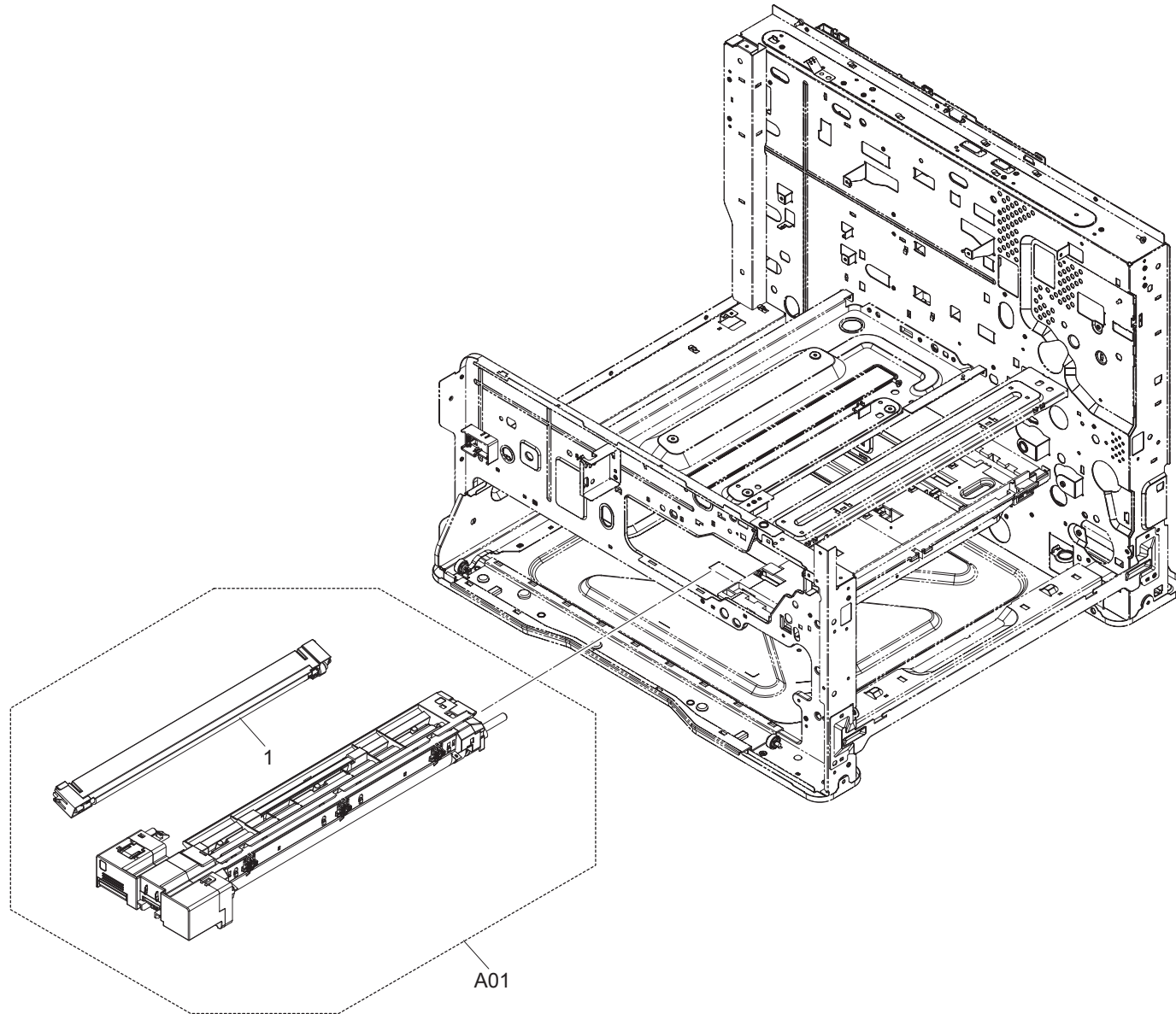


FIG. 11 Image Formation Section

2K3/2L3

Ref. No.	Part.No.	Alternative Part.No.	Description	Quantity		
				120	230	240
A01 1	302K393030 •302K393140	2K393030 2K393140	DK-475 MC-475	1 1	1 1	1 1

•Parts with Ref.No. indicate maintenance parts and the ones without it indicate out of the above.

•Parts with "-" are component parts or sub-assemblies of the assembly appearing immediately above them.  
 •Parts with "• •" are component parts or sub-assembly with "-" appearing immediately above them.



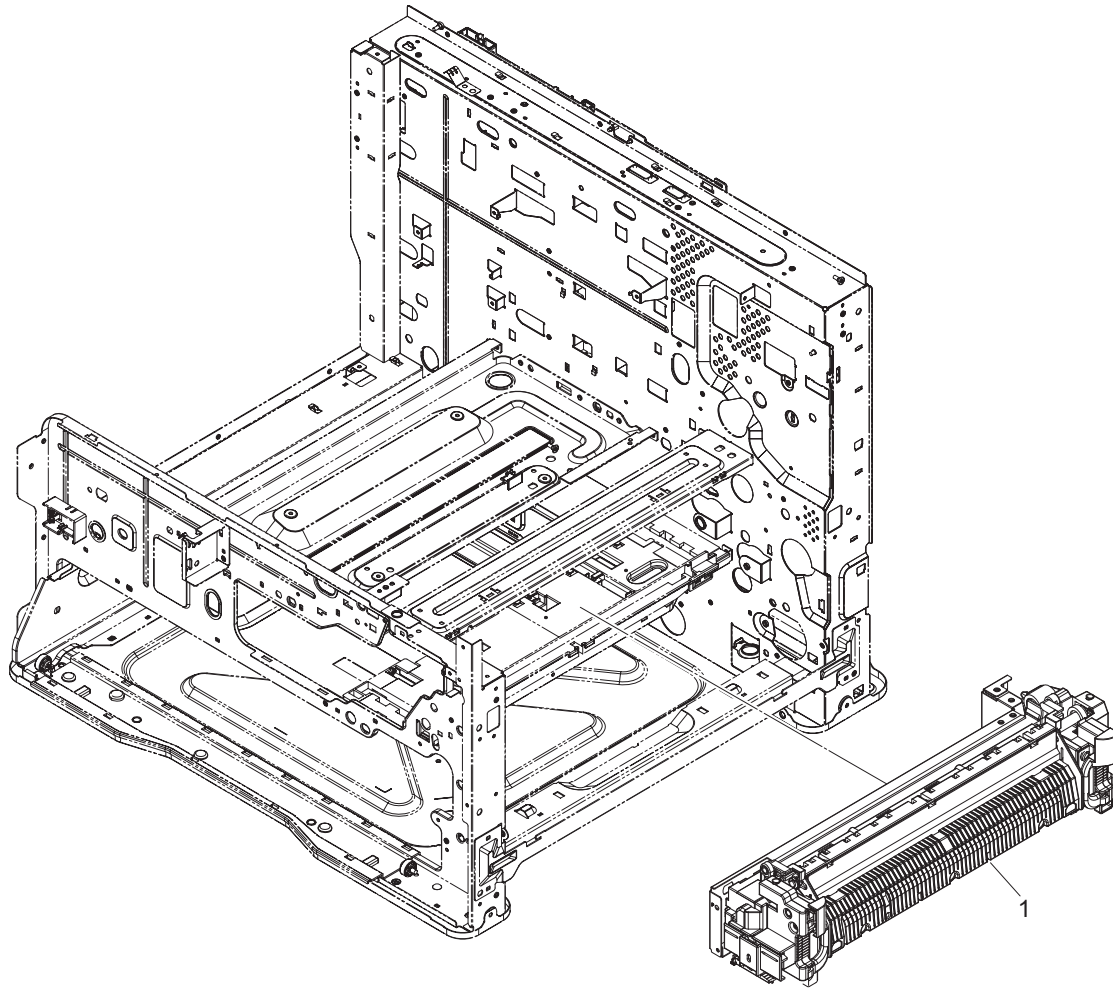


FIG. 12 Fuser Section

2K3/2L3-2

Ref. No.	Part.No.	Alternative Part.No.	Description	Quantity		
				120	230	240
1	302K393111	2K393111	FK-475(U)	1		
1	302K393121	2K393121	FK-475(E)		1	1

•Parts with Ref.No. indicate maintenance parts and the ones without it indicate out of the above.

•Parts with "\*" are component parts or sub-assemblies of the assembly appearing immediately above them.  
 •Parts with "•" are component parts or sub-assembly with "\*" appearing immediately above them.

FIG. 13 Drive Section

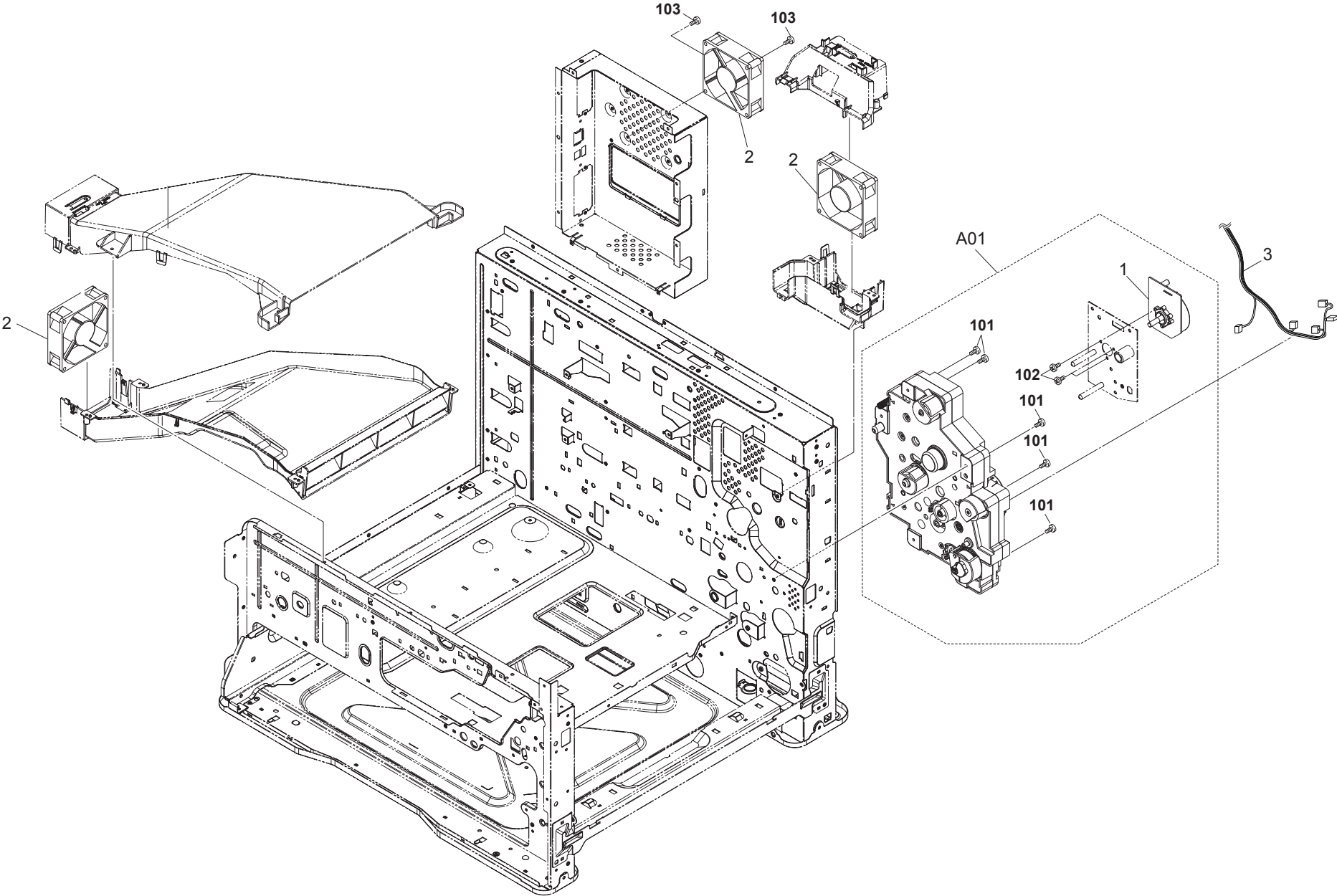


FIG. 13 Drive Section

2K3/2L3-2

Ref. No.	Part.No.	Alternative Part.No.	Description	Quantity		
				120	230	240
A01	302K393080	2K393080	DR-475	1	1	1
1	•302K394201	2K394201	PARTS MOTOR-BL W30 SP	1	1	1
2	302HN44010	2HN44010	FAN MOTOR	3	3	3
3	302K346010	2K346010	WIRE SOL/CLT/MOT	1	1	1
101	7BB700312H	BB106820	+BIND T.T S SCREW 3X12 SR			
102	7BB000304H	BB105720	+BIND M SCREW 3X4			
103	7BB700330H	BB106840	+BIND T.T S SCREW 3X30 SR			

•Parts with Ref.No. indicate maintenance parts and the ones without it indicate out of the above.

•Parts with "-" are component parts or sub-assemblies of the assembly appearing immediately above them.  
 •Parts with "•" are component parts or sub-assembly with "•" appearing immediately above them.

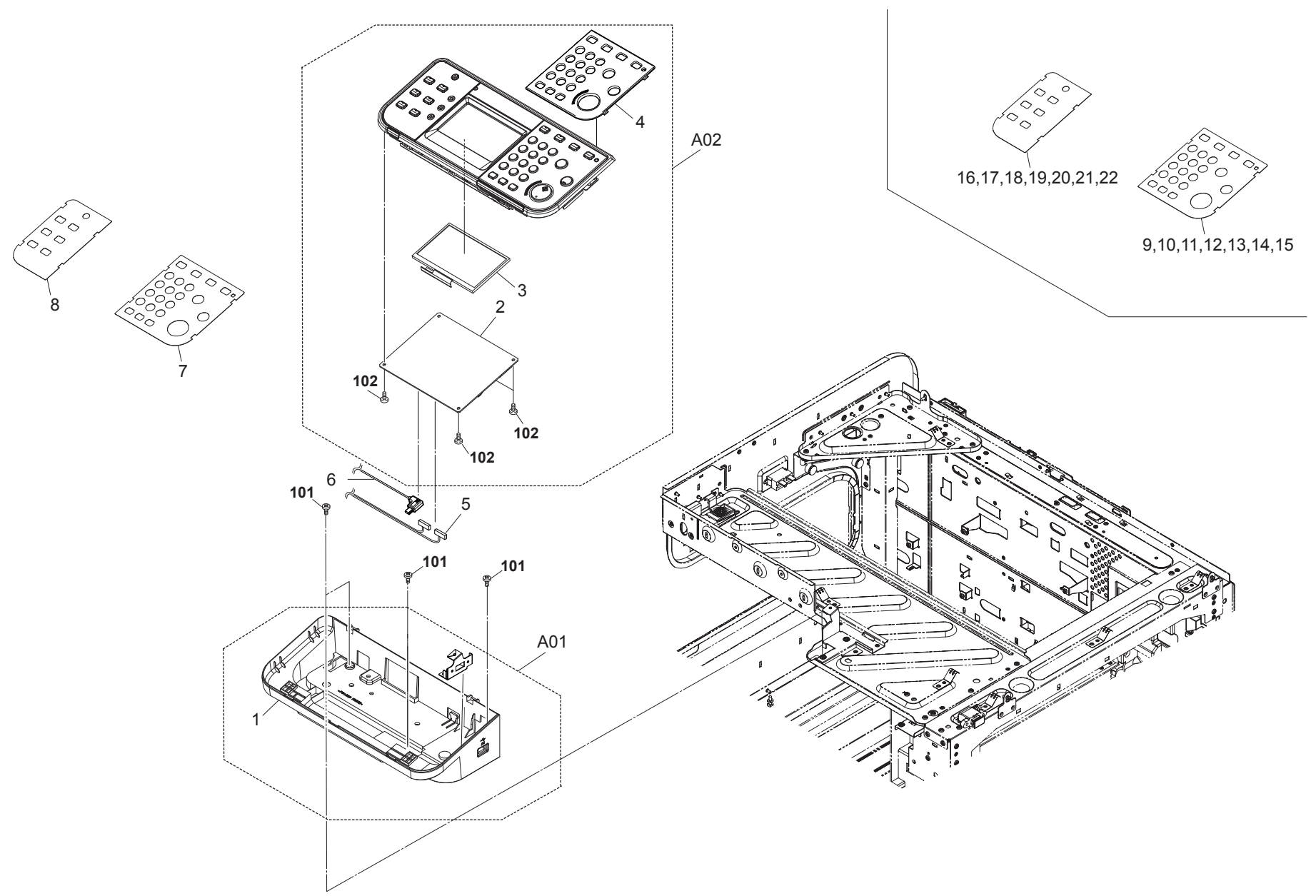


FIG. 14 Operation Section

2K3/2L3-2

Ref. No.	Part.No.	Alternative Part.No.	Description	Quantity		
				120	230	240
A01	302K394870	2K394870	PARTS COVER OPE LOW SET SP	1	1	1
1	•302K305022	2K305022	COVER OPERATION LOW	1	1	1
A02	302K394421	2K394421	PARTS OPERATION UNIT SP	1	1	1
2	•302K394050	2K394050	PARTS PWB PANEL MAIN ASSY SP	1	1	1
3	•302K394170	2K394170	PARTS LCD COLOR SP	1	1	1
4	•302K305050	2K305050	COVER PANEL RIGHT	1	1	1
5	302K346600	2K346600	WIRE PANELMAIN SIG	1	1	1
6	302K346431	2K346431	WIRE MAIN-PANEL_MAIN	1	1	1
7	302K305310	2K305310	SHEET OPERATION RIGHT E	1	1	1
8	302K305320	2K305320	SHEET OPERATION LEFT E	1	1	1
9	302K305350	2K305350	SHEET OPERATION RIGHT G		1	
10	302K305360	2K305360	SHEET OPERATION RIGHT F	1	1	
11	302K305370	2K305370	SHEET OPERATION RIGHT I		1	
12	302K305380	2K305380	SHEET OPERATION RIGHT S	1	1	
13	302K305390	2K305390	SHEET OPERATION RIGHT P(B)	1	1	
14	302K305400	2K305400	SHEET OPERATION RIGHT N		1	
15	302K305410	2K305410	SHEET OPERATION RIGHT R		1	
16	302K305440	2K305440	SHEET OPERATION LEFT G		1	
17	302K305450	2K305450	SHEET OPERATION LEFT F	1	1	
18	302K305460	2K305460	SHEET OPERATION LEFT I		1	
19	302K305470	2K305470	SHEET OPERATION LEFT S	1	1	
20	302K305480	2K305480	SHEET OPERATION LEFT P(B)	1	1	
21	302K305490	2K305490	SHEET OPERATION LEFT N		1	
22	302K305500	2K305500	SHEET OPERATION LEFT R		1	
101	7BB702308H	BB107060	+TP-FLAT T.T S SCREW 3X8 SR			
102	7BB700308H	BB105600	+BIND T.T S SCREW 3X8 SR			

•Parts with Ref.No. indicate maintenance parts and the ones without it indicate out of the above.

•Parts with "-" are component parts or sub-assemblies of the assembly appearing immediately above them.

•Parts with "•" are component parts or sub-assembly with "•" appearing immediately above them.

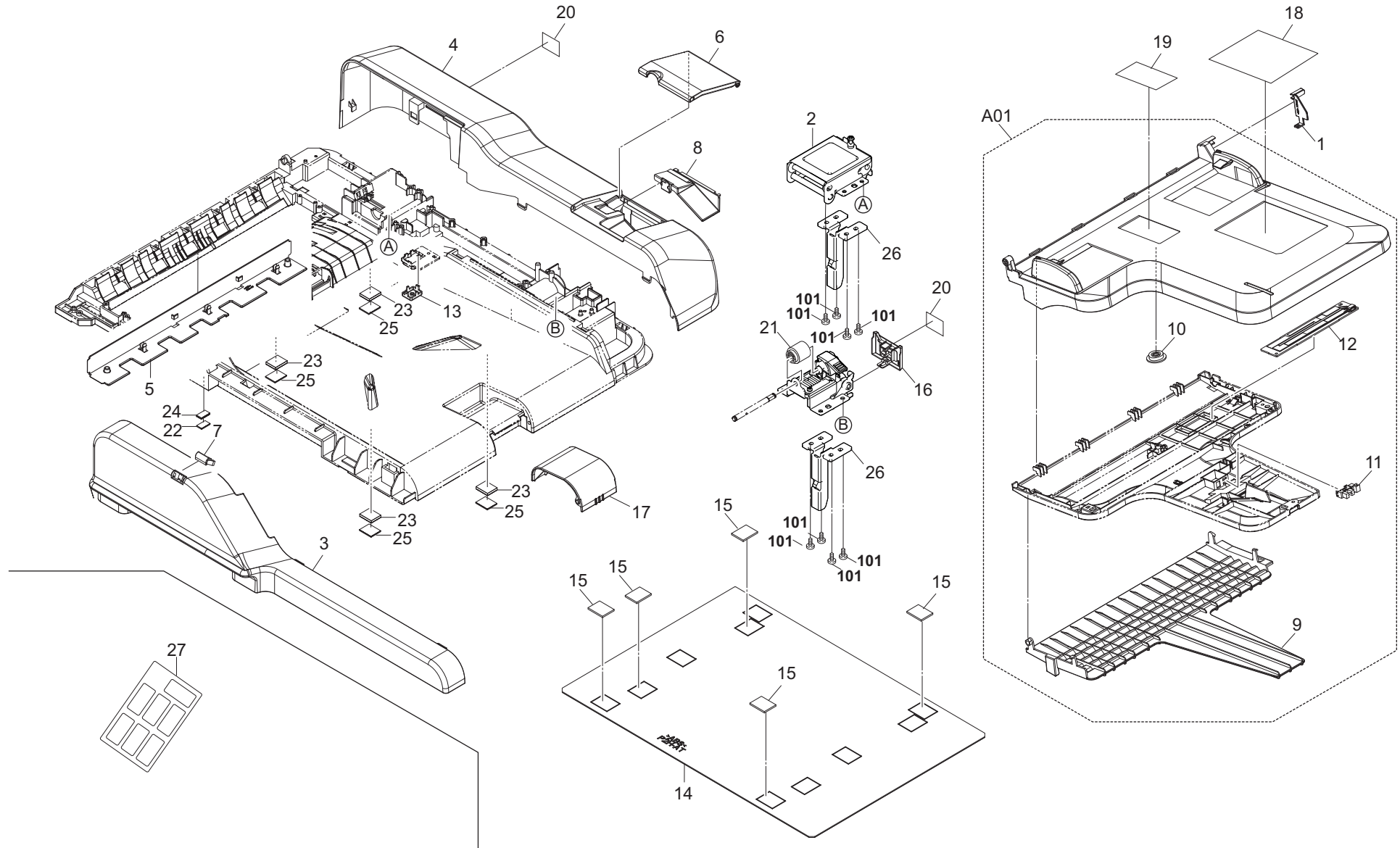


FIG. 15 Document Processor 1

2K3/2L3-2

Ref. No.	Part.No.	Alternative Part.No.	Description	Quantity		
				120	230	240
1	303LL06100	3LL06100	COVER TABLE WIRE	1	1	1
2	303M802021	3M802021	LEFT HINGE	1	1	1
3	303M804011	3M804011	COVER FRONT	1	1	1
4	303M804020	3M804020	COVER REAR	1	1	1
5	303M804040	3M804040	COVER LEFT	1	1	1
6	303M804060	3M804060	LID REAR COVER	1	1	1
7	303M804070	3M804070	COVER LED	1	1	1
8	303M804080	3M804080	LID INNER COVER	1	1	1
A01	303M894060	3M894060	PARTS TABLE ASSY SP	1	1	1
9	•303M806050	3M806050	TRAY LOOP	1	1	1
10	•65907210	65907210	GEAR 20,CASSETTE	1	1	1
11	•303M894260	3M894260	PARTS SENSOR OPT SP	1	1	1
12	•303M894270	3M894270	PARTS PWB SIZE DETECTION ASSY SP	1	1	1
13	3HL02240	3HL02240	PUSH SW DP	1	1	1
14	303JC04201	3JC04201	PLATE ORIGINAL	1	1	1
15	303MX02021	3MX02021	CUSHION ORIGINAL MAT A	5	5	5
16	303M804090	3M804090	COVER HINGE	1	1	1
17	303M804050	3M804050	STOPPER EJECT	1	1	1
18	303M834111	3M834111	LABEL PAPER SET CAUTION ENG	1	1	1
19	303H605110	3H605110	LABEL MSP A	1	1	1
20	303M834070	3M834070	LABEL HINGE CAUTION	2	2	2
21	3AK20130	3AK20130	GEAR,WORM MAIN TRAY	1	1	1
22	303J902370	3J902370	CUSHION ORIGINAL MAT	1	1	1
23	303K502080	3K502080	SPONGE ORIGINAL MAT	4	4	4
24	303M802320	3M802320	SPONGE ORIGINAL MAT A	1	1	1
25	303MX02031	3MX02031	CUSHION ORIGINAL MAT B	4	4	4
26	303M802100	3M802100	STAY HINGE	2	2	2
27	303LL34190	3LL34190	LABEL FACE UP 7NATIONS	1	1	
101	7BB700410H	BB107090	+BIND T.T S SCREW 4X10 SR			

•Parts with Ref.No. indicate maintenance parts and the ones without it indicate out of the above.

•Parts with "-" are component parts or sub-assemblies of the assembly appearing immediately above them.

•Parts with "• •" are component parts or sub-assembly with "•" appearing immediately above them.



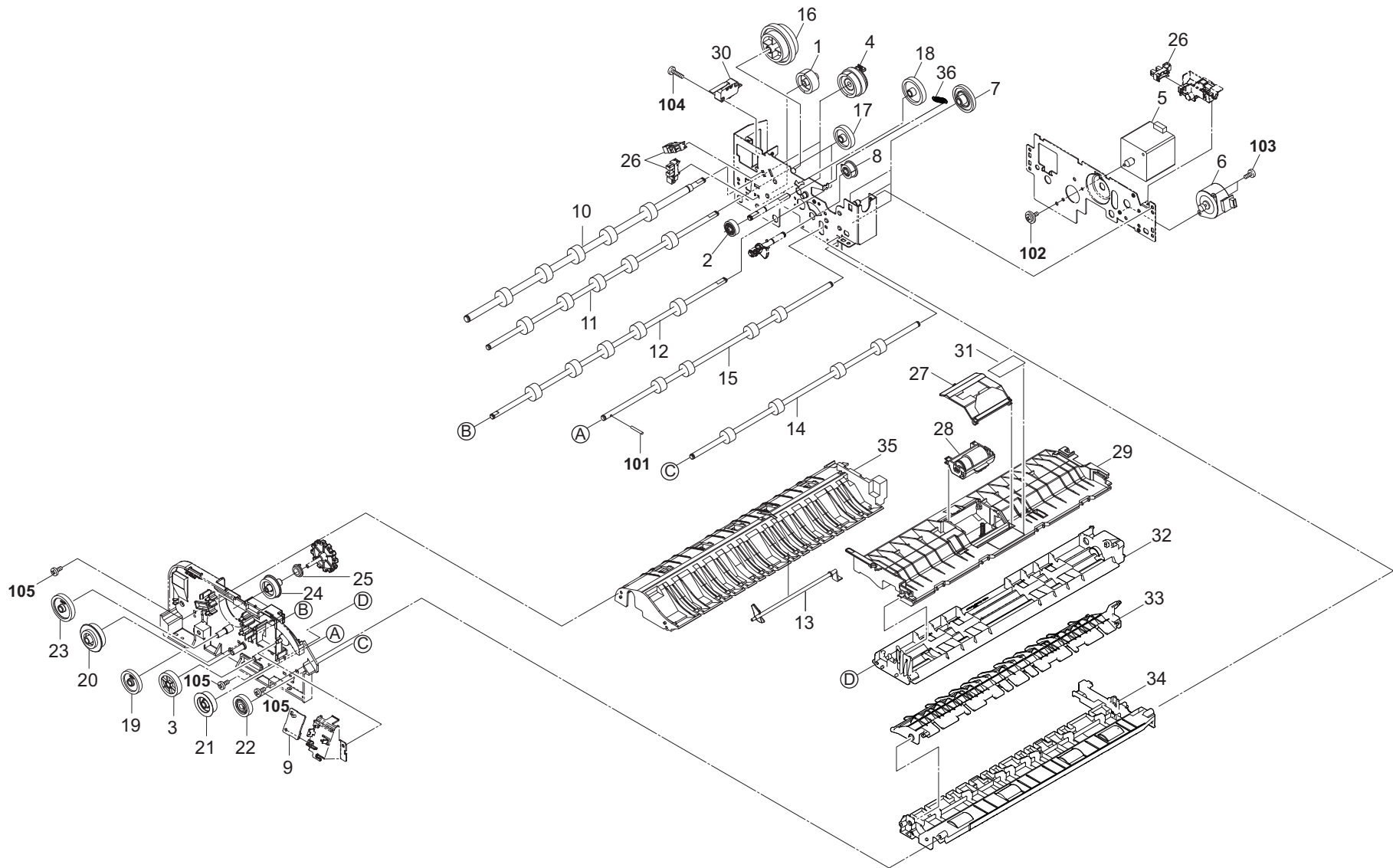


FIG. 16 Document Processor 2

2K3/2L3-2

Ref. No.	Part.No.	Alternative Part.No.	Description	Quantity		
				120	230	240
1	302F914160	2F914160	GEAR Z30H	1	1	1
2	302H731700	2H731700	GEAR Z21 CONT	1	1	1
3	302H731730	2H731730	GEAR Z34L MIDDLE	1	1	1
4	302KV44041	2KV44041	CLUTCH 50 Z35R	2	2	2
5	302KY44010	2KY44010	MOTOR IMAGE	1	1	1
6	302KY44090	2KY44090	MOTOR ROTARY	1	1	1
7	303H622331	3H622331	GEAR 20/65 IDLE	3	3	3
8	303LL31260	3LL31260	GEAR Z32S LIFT	1	1	1
9	303M894100	3M894100	PARTS PWB LED ASSY SP	1	1	1
10	303M894110	3M894110	PARTS ROLLER REGISTRATION SP	1	1	1
11	303M894120	3M894120	PARTS ROLLER CONVEYING A SP	1	1	1
12	303M894130	3M894130	PARTS ROLLER CONVEYING B SP	1	1	1
13	303M824110	3M824110	ACTUATOR REGISTRATION	1	1	1
14	303M894140	3M894140	PARTS ROLLER EXIT SP	1	1	1
15	303M894150	3M894150	PARTS ROLLER LOOP SP	1	1	1
16	303M894160	3M894160	PARTS GEAR Z41L Z58L Z76L SP	1	1	1
17	303M894170	3M894170	PARTS GEAR Z32R SP	2	2	2
18	303M894180	3M894180	PARTS GEAR Z38L SP	1	1	1
19	303M894190	3M894190	PARTS GEAR Z33L SP	1	1	1
20	303M894200	3M894200	PARTS GEAR Z34R Z26S SP	1	1	1
21	303M894210	3M894210	PARTS GEAR Z29R SP	1	1	1
22	303M894220	3M894220	PARTS GEAR Z29L ONEWAY SP	1	1	1
23	303M894240	3M894240	PARTS GEAR Z39S SP	1	1	1
24	303M894250	3M894250	PARTS GEAR LF Z29S SP	1	1	1
25	36211500	36211500	GEAR,LEADING FEED JOINT	1	1	1
26	303M894260	3M894260	PARTS SENSOR OPT SP	3	3	3
27	303M894030	3M894030	RETARD GUIDE (DP) (service only)	1	1	1
28	303M894040	3M894040	RETARD ROLLER (DP) (service only)	1	1	1
29	303M894071	3M894071	PARTS GUIDE PF ASSY SP	1	1	1
30	2FB27160	2FB27160	INTER LOCK SWITCH	1	1	1
31	3HK07240	3HK07240	FRICITION PLATE LF	1	1	1
32	303M829051	3M829051	GUIDE DUPLEX	1	1	1
33	303M829012	3M829012	GUIDE SHIFT	1	1	1
34	303M828021	3M828021	GUIDE EXIT	1	1	1
35	303M824015	3M824015	GUIDE CONVEYING	1	1	1
36	303M807220	3M807220	SPRING REAR HOOK	1	1	1
101	5MBP2010PXLJ	EP120100	PARALLEL PIN H7 / M2 X 10 SUS			
102	7BB607306H	BB105770	+TP-CUP M SCREW 3X6 R			
103	7BB700308H	BB105600	+BIND T.T S SCREW 3X8 SR			
104	7BB700316H	BB106910	+BIND T.T S SCREW 3X16 SR			
105	7BB200308H	BB105660	+BIND T.T P SCREW 3X8			

\*Parts with Ref.No. indicate maintenance parts and the ones without it indicate out of the above.

\*Parts with "-" are component parts or sub-assemblies of the assembly appearing immediately above them.

\*Parts with "••" are component parts or sub-assembly with "•" appearing immediately above them.

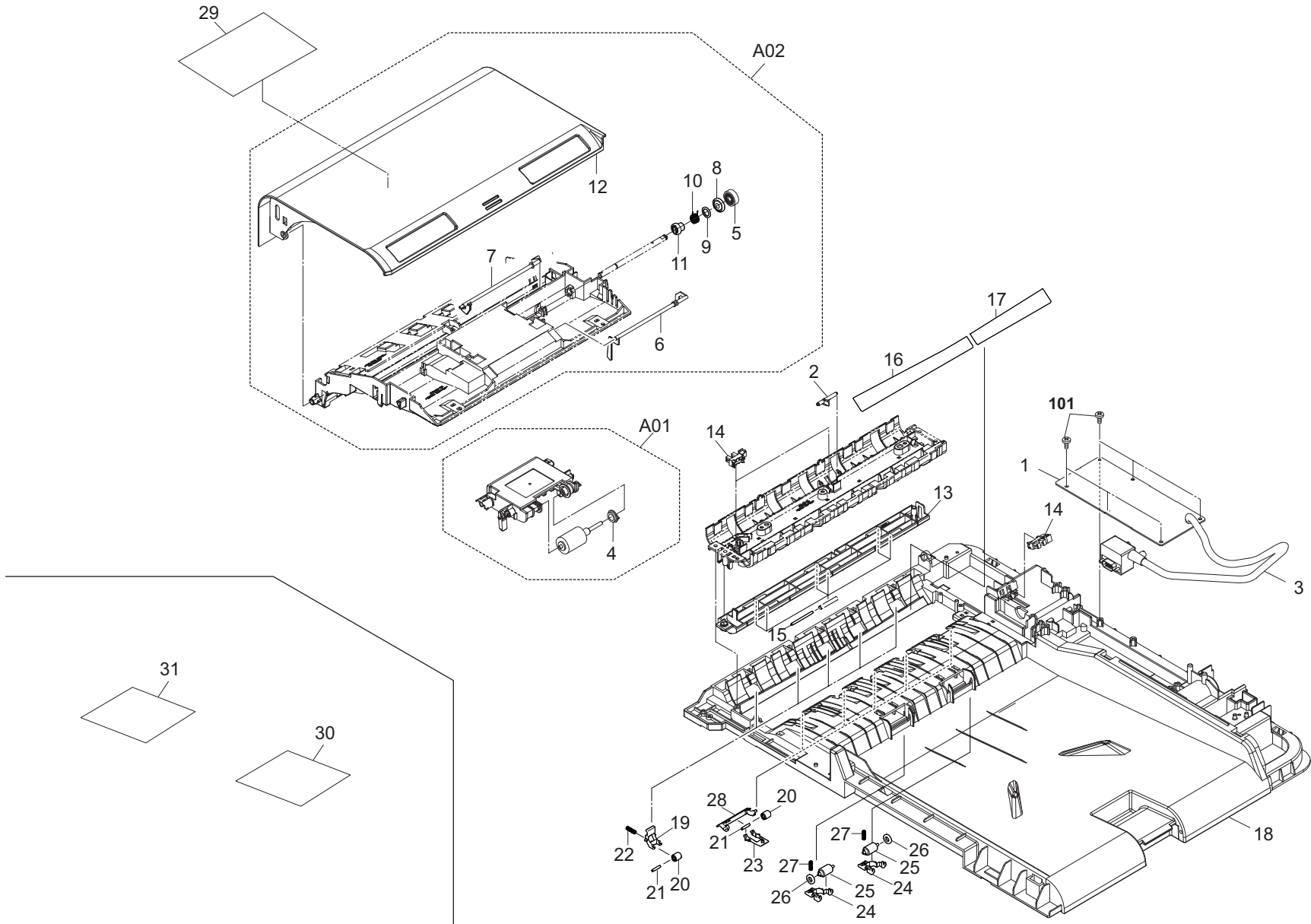


FIG. 17 Document Processor 3

2K3/2L3-2

Ref. No.	Part.No.	Alternative Part.No.	Description	Quantity		
				120	230	240
1	303M894010	3M894010	PARTS PWB DRIVE ASSY SP	1	1	1
2	303M824191	3M824191	ACTUATOR TIMING	1	1	1
3	303M846010	3M846010	WIRE INTERFACE	1	1	1
A01	303M894022	3M894022	FEED ROLLER (DP) (service only)	1	1	1
4	•36211500	36211500	GEAR,LEADING FEED JOINT	1	1	1
A02	303M894052	3M894052	PARTS COVER PF ASSY SP	1	1	1
5	•302H731700	2H731700	GEAR Z21 CONT	1	1	1
6	•303M807060	3M807060	ACTUATOR ORIGINAL SET	1	1	1
7	•303M824090	3M824090	ACTUATOR FEED	1	1	1
8	•303M807130	3M807130	COLLAR FEED	1	1	1
9	•3HK07270	3HK07270	COLLAR PF	1	1	1
10	•3HK07140	3HK07140	SPRING LF	1	1	1
11	•303HK07081	3HK07081	COLLAR S SPRING	1	1	1
12	•303M804030	3M804030	COVER PF	1	1	1
13	303M894080	3M894080	PARTS GUIDE READING ASSY SP	1	1	1
14	303M894260	3M894260	PARTS SENSOR OPT SP	3	3	3
15	303M824130	3M824130	SHAFT GUIDE READING	6	6	6
16	303M824170	3M824170	SHEET LEFT GUIDE F	1	1	1
17	303M824180	3M824180	SHEET LEFT GUIDE R	1	1	1
18	303M802014	3M802014	BASE DP	1	1	1
19	303M824100	3M824100	HOLDER LEFT PULLEY	5	5	5
20	303M824210	3M824210	PULLEY CONVEYING BK	10	10	10
21	303M824200	3M824200	SHAFT PULLEY	10	10	10
22	302H008140	2H008140	SPRING BYPASSFFED	5	5	5
23	303M824121	3M824121	HOLDER RIGHT PULLEY	5	5	5
24	303M828030	3M828030	HOLDER PULLEY EJECT	2	2	2
25	303M828040	3M828040	PULLEY EJECT	2	2	2
26	303M828050	3M828050	SPONGE EJECT	2	2	2
27	302H728100	2H728100	SPRING EXIT PULLEY	2	2	2
28	303M824160	3M824160	GUIDE RIGHT READING	5	5	5
29	303M834090	3M834090	LABEL CAUTION ENG	1	1	1
30	303M834121	3M834121	LABEL CAUTION SET 3NATIONS	1	1	
31	303M834131	3M834131	LABEL CAUTION SET 4NATIONS		1	
101	7BB200308H	BB105660	+BIND T.T P SCREW 3X8			

•Parts with Ref.No. indicate maintenance parts and the ones without it indicate out of the above.

•Parts with "-" are component parts or sub-assemblies of the assembly appearing immediately above them.

•Parts with "• •" are component parts or sub-assembly with "-" appearing immediately above them.

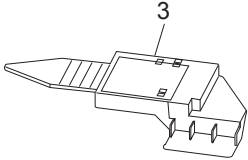
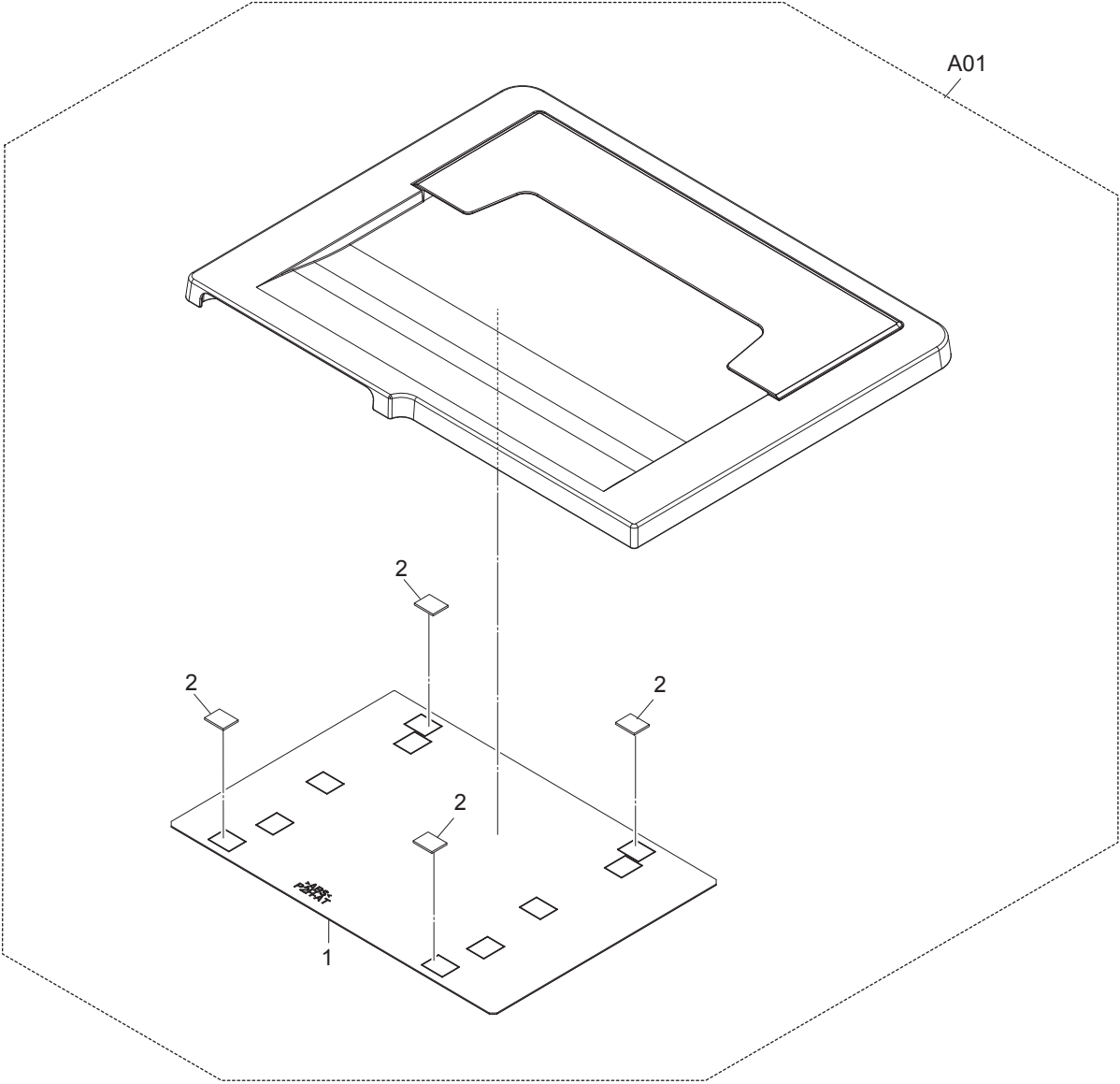


FIG. 18 Original cover&Options

2K3/2L3-2

Ref. No.	Part.No.	Alternative Part.No.	Description	Quantity		
				120	230	240
A01	302L394011	2L394011	PARTS PLATEN COVER UNIT	1	1	1
1	•303JC04201	3JC04201	PLATE ORIGINAL	1	1	1
2	•303MX02021	3MX02021	CUSHION ORIGINAL MAT A	4	4	4
3	302K394860	2K394860	PARTS STOPPER PAPER C ASSY SP	1	1	1

•Parts with Ref.No. indicate maintenance parts and the ones without it indicate out of the above.

•Parts with "-" are component parts or sub-assemblies of the assembly appearing immediately above them.  
 •Parts with "• •" are component parts or sub-assembly with "-" appearing immediately above them.

FIG. 19 Maintenance Kits

2K3/2L3

Ref. No.	Part.No.	Alternative Part.No.	Description	Quantity		
				120	230	240
	1702K37US0	072K37US	MK-477/MAINTENANCE KIT(OPTION) PRIMARY FEED UNIT TR-475 SEPARATION PAD(service only) MPF ROLLER(service only) REGIST CLEANER DK-475 DV-475 FK-475(U)	1 1 1 1 1 1 1 1 1		
	1702K38NL0	072K38NL	MK-475/MAINTENANCE KIT(OPTION) PRIMARY FEED UNIT TR-475 SEPARATION PAD(service only) MPF ROLLER(service only) REGIST CLEANER DK-475 DV-475 FK-475(E)		1 1 1 1 1 1 1 1	
	1702K38AS0	072K38AS	MK-479/MAINTENANCE KIT(OPTION) PRIMARY FEED UNIT TR-475 SEPARATION PAD(service only) MPF ROLLER(service only) REGIST CLEANER DK-475 DV-475 FK-475(E)			1 1 1 1 1 1 1
	1703M80UN0	073M80UN	MK-470/MAINTENANCE KIT(OPTION) (for customer) (Document Processor Standard model) FEED ROLLER (DP) (service only) RETARD GUIDE (DP) (service only) RETARD ROLLER (DP) (service only)	1 1 1 1	1 1 1 1	1 1 1 1

•Parts with Ref.No. indicate maintenance parts and the ones without it indicate out of the above.

•Parts with "•" are component parts or sub-assemblies of the assembly appearing immediately above them.

•Parts with "••" are component parts or sub-assembly with "•" appearing immediately above them.

部品番号	代替部品番号	部 品 名 称	Fig.No.
1702K37US0	072K37US	MK-477/MAINTENANCE KIT	19
1702K38AS0	072K38AS	MK-479/MAINTENANCE KIT	19
1702K38NL0	072K38NL	MK-475/MAINTENANCE KIT	19
1703M80UN0	073M80UN	MK-470/MAINTENANCE KIT	19
2FB27160	2FB27160	INTER LOCK SWITCH	16
2FM04150	5MVM163DN005	CAP SPRING /B-11 ENCLOSURE A4	1
3019527401	19527401	POWER CORD(120)	2
302AR94050	2AR94050	PARTS AC CORD EU SP	2
302BG06152	2BG06152	SHAFT FEED B	1
302F914160	2F914160	GEAR Z30H	16
302F944090	2F944090	SOLENOID ASSY	6
302H004560	2H004560	STOPPER PAPER	1
302H008140	2H008140	SPRING BYPASSFFED	17
302H024510	2H024510	STOPPER SHUTTER	1
302H044110	2H044110	SENSOR ORIGINAL	8
302H728100	2H728100	SPRING EXIT PULLEY	17
302H731700	2H731700	GEAR Z21 CONT	16,17
302H731730	2H731730	GEAR Z34L MIDDLE	16
302HN44010	2HN44010	FAN MOTOR	13
302HN44100	2HN44100	MOTOR REVERSE	6
302K302170	2K302170	FRAME REAR UPPER	3
302K302430	2K302430	HEATER DEHUMIDIFIER 120	3
302K302440	2K302440	HEATER DEHUMIDIFIER 240	3
302K302811	2K302811	ACTUATOR PAPER EMPTY	2
302K302831	2K302831	ACTUATOR DECK FEED	2
302K302930	2K302930	FOOT	3
302K302940	2K302940	MOUNT RIGHT INTERLOCK	2
302K304020	2K304020	COVER FRONT TOP	1
302K304030	2K304030	COVER TRAY	1
302K304040	2K304040	COVER EXIT REAR	1
302K304050	2K304050	COVER EXIT FRONT	1
302K304060	2K304060	COVER RIGHT REAR	1
302K304070	2K304070	COVER RIGHT LOW	1
302K304080	2K304080	COVER INNER LOW	2
302K304100	2K304100	COVER LEFT LOW	1
302K304121	2K304121	COVER ISU FRONT	8
302K304131	2K304131	COVER ISU LEFT	8
302K304150	2K304150	COVER ISU REAR	8
302K304170	2K304170	LID CONTROLLER BOX	1



部品番号	代替部品番号	部 品 名 称	Fig.No.
302K304180	2K304180	COVER TRAY LEFT	1
302K304190	2K304190	COVER EXIT TOP	1
302K304200	2K304200	COVER FILTER REAR	1
302K304221	2K304221	COVER INNER FRONT	2
302K304230	2K304230	STRAP COVER FRONT R	1
302K304280	2K304280	STOPPER CONTAINER	2
302K304290	2K304290	COVER EXIT FRONT TOP	1
302K304320	2K304320	STRAP COVER FRONT L	1
302K304370	2K304370	STOPPER PAPER B	1
302K305022	2K305022	COVER OPERATION LOW	14
302K305050	2K305050	COVER PANEL RIGHT	14
302K305310	2K305310	SHEET OPERATION RIGHT E	14
302K305320	2K305320	SHEET OPERATION LEFT E	14
302K305350	2K305350	SHEET OPERATION RIGHT G	14
302K305360	2K305360	SHEET OPERATION RIGHT F	14
302K305370	2K305370	SHEET OPERATION RIGHT I	14
302K305380	2K305380	SHEET OPERATION RIGHT S	14
302K305390	2K305390	SHEET OPERATION RIGHT P(B)	14
302K305400	2K305400	SHEET OPERATION RIGHT N	14
302K305410	2K305410	SHEET OPERATION RIGHT R	14
302K305440	2K305440	SHEET OPERATION LEFT G	14
302K305450	2K305450	SHEET OPERATION LEFT F	14
302K305460	2K305460	SHEET OPERATION LEFT I	14
302K305470	2K305470	SHEET OPERATION LEFT S	14
302K305480	2K305480	SHEET OPERATION LEFT P(B)	14
302K305490	2K305490	SHEET OPERATION LEFT N	14
302K305500	2K305500	SHEET OPERATION LEFT R	14
302K306320	2K306320	GUIDE COVER INNER	1
302K306330	2K306330	SHAFT INNER ROLLER F	1
302K306340	2K306340	STOPPER INNER GUIDE	1
302K306350	2K306350	SPRING INNER GUIDE	1
302K306380	2K306380	SHAFT INNER ROLLER R	1
302K308020	2K308020	ACTUATOR MPF	5
302K308080	2K308080	SHAFT MPF	5
302K308440	2K308440	CURSOR FRONT MPF	7
302K308450	2K308450	CURSOR REAR MPF	7
302K308460	2K308460	STRAP LINK MPF	7
302K309021	2K309021	BASE CASSETTE	4
302K309041	2K309041	ARM SIZE DETECTION	4
302K309080	2K309080	COVER CASSETTE	4

部品番号	代替部品番号	部 品 名 称	Fig.No.
302K309120	2K309120	CURSOR CASSETTE REAR	4
302K309130	2K309130	CURSOR CASSETTE FRONT	4
302K309270	2K309270	CURSOR END	4
302K309410	2K309410	PLATE SIZE DETECTION	3
302K317172	2K317172	GUIDE FFC LED C	8
302K317250	2K317250	SWITCH RELEASE	8
302K317260	2K317260	MOUNT RELEASE SWITCH	8
302K317350	2K317350	GEAR Z54	8
302K317791	2K317791	SHEET FFC LED	8
302K328050	2K328050	GUIDE CHANGE	6
302K328060	2K328060	ACTUATOR EXIT OVERFLOW	6
302K328070	2K328070	ACTUATOR EXIT UPPER SWITCH	6
302K328160	2K328160	ARM ACTUATOR EXIT	6
302K328181	2K328181	LID EXIT EMPTY SWITCH	6
302K328200	2K328200	GUIDE EXIT RIGHT	7
302K328300	2K328300	TRAY EJECT	6
302K329020	2K329020	PULLEY DU	7
302K329040	2K329040	ACTUATOR DU	7
302K334090	2K334090	SHEET CASSETTE C	4
302K334100	2K334100	SHEET CASSETTE I	4
302K334480	2K334480	LABEL COVER CAUTION 9NATIONS	7
302K346010	2K346010	WIRE SOL/CLT/MOT	13
302K346370	2K346370	FFC ENGINE-HVU	3
302K346380	2K346380	FFC ENGINE-MAIN	3
302K346401	2K346401	FFC MAIN-LED LAMP	8
302K346411	2K346411	FFC MAIN-CCD	8
302K346431	2K346431	WIRE MAIN-PANEL_MAIN	14
302K346470	2K346470	WIRE PF DRAWER	3
302K346600	2K346600	WIRE PANELMAIN SIG	14
302K346660	2K346660	WIRE PF DRAWER 200	3
302K393030	2K393030	DK-475	11
302K393040	2K393040	DV-475	10
302K393072	2K393072	LK-475	9
302K393080	2K393080	DR-475	13
302K393090	2K393090	TR-475	7
302K393111	2K393111	FK-475(U)	12
302K393121	2K393121	FK-475(E)	12
302K393130	2K393130	WT-475	1
302K393140	2K393140	MC-475	11
302K393152	2K393152	PARTS ISU	8

部品番号	代替部品番号	部 品 名 称	Fig.No.
302K393160	2K393160	PARTS MOUNT LED ASSY	8
302K393173	2K393173	CT-475	4
302K394011	2K394011	PARTS PWB MAIN ASSY SP	3
302K394021	2K394021	PARTS PWB MAIN ASSY SP EU	3
302K394042	2K394042	PARTS PWB ENGINE ASSY SP	3
302K394050	2K394050	PARTS PWB PANEL MAIN ASSY SP	14
302K394070	2K394070	PARTS PWB RFID ASSY SP	2
302K394080	2K394080	PARTS PWB DRUM CONNECT ASSY SP	2
302K394090	2K394090	PARTS PWB DEVE CONNECT ASSY SP	2
302K394100	2K394100	PARTS PWB HUMIDITY SENSOR ASSY SP	2
302K394110	2K394110	PARTS LVU MAIN 120 SP	2
302K394121	2K394121	PARTS LVU MAIN 200 SP	2
302K394140	2K394140	PARTS HVU SP	3
302K394151	2K394151	PARTS LVU SUB 100 SP	3
302K394161	2K394161	PARTS LVU SUB 200 SP	3
302K394170	2K394170	PARTS LCD COLOR SP	14
302K394180	2K394180	PARTS SWITCH EXIT PAPER EMPTY SP	6
302K394190	2K394190	PARTS MOTOR LIFT ASSY SP	2
302K394201	2K394201	PARTS MOTOR-BL W30 SP	13
302K394210	2K394210	PARTS MOTOR ISU SP	8
302K394220	2K394220	PARTS ROLLER REGIST RIGHT SP	7
302K394230	2K394230	PARTS ROLLER REGIST LEFT SP	5
302K394240	2K394240	PARTS ROLLER EXIT SP	6
302K394250	2K394250	PARTS ROLLER DU SP	7
302K394260	2K394260	PARTS GEAR CONTAINER Z18L SP	2
302K394270	2K394270	PARTS GEAR CONTAINER Z25L SP	2
302K394280	2K394280	PARTS GEAR CONTAINER Z35R SP	2
302K394290	2K394290	PARTS GEAR CONTAINER Z24L-Z19R SP	2
302K394300	2K394300	PARTS GEAR CONTAINER Z41L SP	2
302K394310	2K394310	PARTS GEAR REGIST Z28L-Z18L SP	5
302K394320	2K394320	PARTS GEAR MPF Z28 SP	5
302K394330	2K394330	PARTS GEAR REGIST Z24R SP	7
302K394340	2K394340	PARTS GEAR Z74R-Z22S EXIT SP	6
302K394350	2K394350	PARTS GEAR Z22S EXIT SP	6
302K394360	2K394360	PARTS GEAR Z25S EXIT INPUT SP	6
302K394370	2K394370	PARTS GEAR Z18-Z63R SP	8
302K394380	2K394380	PARTS GEAR Z18 SP	4
302K394390	2K394390	PARTS GEAR CONTAINER Z20R SP	2
302K394400	2K394400	PARTS GEAR DU Z27L SP	7
302K394421	2K394421	PARTS OPERATION UNIT SP	14

部品番号	代替部品番号	部 品 名 称	Fig.No.
302K394430	2K394430	PARTS COVER FRONT ASSY 30 E SP	1
302K394440	2K394440	PARTS COVER FRONT ASSY 30 J/A SP	1
302K394450	2K394450	REGIST CLEANER	5
302K394460	2K394460	MPF ROLLER	5
302K394470	2K394470	PARTS MPF TABLE ASSY SP	7
302K394480	2K394480	PRIMARY FEED UNIT	5
302K394491	2K394491	SEPARATION PAD	5
302K394501	2K394501	PARTS MPF UNIT	5
302K394510	2K394510	PARTS CONVEYING UNIT	7
302K394520	2K394520	PARTS EXIT UNIT	6
302K394531	2K394531	PARTS RIGHT COVER UNIT	7
302K394540	2K394540	PARTS FEED UNIT ASSY SP	5
302K394550	2K394550	PARTS CONTACT-GLASS ASSY(C) SP	8
302K394560	2K394560	PARTS CONTACT-GLASS ASSY(I) SP	8
302K394580	2K394580	PARTS COVER RIGHT TOP ASSY SP	1
302K394590	2K394590	PARTS COVER ISU RIGHT ASSY A SP	8
302K394610	2K394610	PARTS COVER REAR ASSY SP	1
302K394621	2K394621	MPF ROLLER-PAD SET	5
302K394640	2K394640	PARTS COVER LEFT TOP ASSY SP	1
302K394650	2K394650	PARTS COVER REAR EUR ASSY SP	1
302K394860	2K394860	PARTS STOPPER PAPER C ASSY SP	18
302K394870	2K394870	PARTS COVER OPE LOW SET SP	14
302KK94070	2KK94070	PARTS CONT SENSOR ASSY SP	2
302KV44041	2KV44041	CLUTCH 50 Z35R	16
302KY44010	2KY44010	MOTOR IMAGE	16
302KY44090	2KY44090	MOTOR ROTARY	16
302L302010	2L302010	LID D SUB	1
302L394011	2L394011	PARTS PLATEN COVER UNIT	18
302L394020	2L394020	PARTS COVER FRONT ASSY 25 E SP	1
302L394030	2L394030	PARTS COVER FRONT ASSY 25 J/A SP	1
302MW31010	2MW31010	TORQUE LIMITER 4000	2
303H605110	3H605110	LABEL MSP A	15
303H622331	3H622331	GEAR 20/65 IDLE	16
303HK07081	3HK07081	COLLAR S SPRING	17
303J902370	3J902370	CUSHION ORIGINAL MAT	15
303JC04201	3JC04201	PLATE ORIGINAL	15,18
303K502080	3K502080	SPONGE ORIGINAL MAT	15
303LL06100	3LL06100	COVER TABLE WIRE	15
303LL31260	3LL31260	GEAR Z32S LIFT	16
303LL34190	3LL34190	LABEL FACE UP 7NATIONS	15

部品番号	代替部品番号	部 品 名 称	Fig.No.
303M802014	3M802014	BASE DP	17
303M802021	3M802021	LEFT HINGE	15
303M802100	3M802100	STAY HINGE	15
303M802320	3M802320	SPONGE ORIGINAL MAT A	15
303M804011	3M804011	COVER FRONT	15
303M804020	3M804020	COVER REAR	15
303M804030	3M804030	COVER PF	17
303M804040	3M804040	COVER LEFT	15
303M804050	3M804050	STOPPER EJECT	15
303M804060	3M804060	LID REAR COVER	15
303M804070	3M804070	COVER LED	15
303M804080	3M804080	LID INNER COVER	15
303M804090	3M804090	COVER HINGE	15
303M806050	3M806050	TRAY LOOP	15
303M807060	3M807060	ACTUATOR ORIGINAL SET	17
303M807130	3M807130	COLLAR FEED	17
303M807220	3M807220	SPRING REAR HOOK	16
303M824015	3M824015	GUIDE CONVEYING	16
303M824090	3M824090	ACTUATOR FEED	17
303M824100	3M824100	HOLDER LEFT PULLEY	17
303M824110	3M824110	ACTUATOR REGISTRATION	16
303M824121	3M824121	HOLDER RIGHT PULLEY	17
303M824130	3M824130	SHAFT GUIDE READING	17
303M824160	3M824160	GUIDE RIGHT READING	17
303M824170	3M824170	SHEET LEFT GUIDE F	17
303M824180	3M824180	SHEET LEFT GUIDE R	17
303M824191	3M824191	ACTUATOR TIMING	17
303M824200	3M824200	SHAFT PULLEY	17
303M824210	3M824210	PULLEY CONVEYING BK	17
303M828021	3M828021	GUIDE EXIT	16
303M828030	3M828030	HOLDER PULLEY EJECT	17
303M828040	3M828040	PULLEY EJECT	17
303M828050	3M828050	SPONGE EJECT	17
303M829012	3M829012	GUIDE SHIFT	16
303M829051	3M829051	GUIDE DUPLEX	16
303M834070	3M834070	LABEL HINGE CAUTION	15
303M834090	3M834090	LABEL CAUTION ENG	17
303M834111	3M834111	LABEL PAPER SET CAUTION ENG	15
303M834121	3M834121	LABEL CAUTION SET 3NATIONS	17
303M834131	3M834131	LABEL CAUTION SET 4NATIONS	17

部品番号	代替部品番号	部 品 名 称	Fig.No.
303M846010	3M846010	WIRE INTERFACE	17
303M894010	3M894010	PARTS PWB DRIVE ASSY SP	17
303M894022	3M894022	FEED ROLLER (DP)	17
303M894030	3M894030	RETARD GUIDE (DP)	16
303M894040	3M894040	RETARD ROLLER (DP)	16
303M894052	3M894052	PARTS COVER PF ASSY SP	17
303M894060	3M894060	PARTS TABLE ASSY SP	15
303M894071	3M894071	PARTS GUIDE PF ASSY SP	16
303M894080	3M894080	PARTS GUIDE READING ASSY SP	17
303M894100	3M894100	PARTS PWB LED ASSY SP	16
303M894110	3M894110	PARTS ROLLER REGISTRATION SP	16
303M894120	3M894120	PARTS ROLLER CONVEYING A SP	16
303M894130	3M894130	PARTS ROLLER CONVEYING B SP	16
303M894140	3M894140	PARTS ROLLER EXIT SP	16
303M894150	3M894150	PARTS ROLLER LOOP SP	16
303M894160	3M894160	PARTS GEAR Z41L Z58L Z76L SP	16
303M894170	3M894170	PARTS GEAR Z32R SP	16
303M894180	3M894180	PARTS GEAR Z38L SP	16
303M894190	3M894190	PARTS GEAR Z33L SP	16
303M894200	3M894200	PARTS GEAR Z34R Z26S SP	16
303M894210	3M894210	PARTS GEAR Z29R SP	16
303M894220	3M894220	PARTS GEAR Z29L ONEWAY SP	16
303M894240	3M894240	PARTS GEAR Z39S SP	16
303M894250	3M894250	PARTS GEAR LF Z29S SP	16
303M894260	3M894260	PARTS SENSOR OPT SP	15,16,27
303M894270	3M894270	PARTS PWB SIZE DETECTION ASSY SP	15
303MX02021	3MX02021	CUSHION ORIGINAL MAT A	15,18
303MX02031	3MX02031	CUSHION ORIGINAL MAT B	15
303NN24180	3NN24180	SPRING FEED LOW	1
36211500	36211500	GEAR,LEADING FEED JOINT	16,17
3AK20130	3AK20130	GEAR,WORM MAIN TRAY	15
3HK07140	3HK07140	SPRING LF	17
3HK07240	3HK07240	FRICTION PLATE LF	16
3HK07270	3HK07270	COLLAR PF	17
3HL02240	3HL02240	PUSH SW DP	15
3HY07120	3HY07120	PULLEY 15 DUPLEX	1
5ESP03090001+01	SP000360	PUSH SWITCH 03 SN /SW-192 N	3
5MBP2010PXLJ	EP120100	PARALLEL PIN H7 / M2 X 10 SUS	16
5MVX111DN003	2A806250	RING STOPPER /A-49 FEED A4	1
65907210	65907210	GEAR 20,CASSETTE	15

部品番号	代替部品番号	部 品 名 称	Fig.No.
7AAACCAS+10H001	AA063380	AC CORD ASSY AS	2
7BB000303H	BB107000	+BIND M SCREW 3X3	6
7BB000304H	BB105720	+BIND M SCREW 3X4	13
7BB606308H	BB105280	+PAN M SCREW WITH SW W 3X8 R	8
7BB607306H	BB105770	+TP-CUP M SCREW 3X6 R	16
7BB700316H	BB106910	+BIND T.T S SCREW 3X16 SR	16
7BB700330H	BB106840	+BIND T.T S SCREW 3X30 SR	13
7BB700410H	BB107090	+BIND T.T S SCREW 4X10 SR	15
7NXGP1S173LCH01	NX116910	SENSOR OPT.	2,5,6,7,8
7SC010105+++H01	SC125000	SW.SEESAW	3
7SM010202+++H01	SM044270	SW.MICRO	2
7SP01000001+H01	SP044290	SW.PUSH	2,3

**KYOCERA Document Solutions America, Inc.****Headquarters**

225 Sand Road,  
Fairfield, New Jersey 07004-0008, USA  
Phone: +1-973-808-8444  
Fax: +1-973-882-6000

**Latin America**

8240 NW 52nd Terrace Dawson Building, Suite 100  
Miami, Florida 33166, USA  
Phone: +1-305-421-6640  
Fax: +1-305-421-6666

**KYOCERA Document Solutions Canada, Ltd.**

6120 Kestrel Rd., Mississauga, ON L5T 1S8,  
Canada  
Phone: +1-905-670-4425  
Fax: +1-905-670-8116

**KYOCERA Document Solutions****Mexico, S.A. de C.V.**

Calle Arquimedes No. 130, 4 Piso, Colonia Polanco  
Chapultepec, Delegacion Miguel Hidalgo,  
Distrito Federal, C.P. 11560, México  
Phone: +52-555-383-2741  
Fax: +52-555-383-7804

**KYOCERA Document Solutions Brazil, Ltda.**

Alameda África, 545, Pólo Empresarial Consbrás,  
Tamboré, Santana de Parnaíba-SP, CEP 06543-306,  
Brazil  
Phone: +55-11-4195-8496  
Fax: +55-11-4195-6167

**KYOCERA Document Solutions****Australia Pty. Ltd.**

Level 3, 6-10 Talavera Road North Ryde N.S.W, 2113,  
Australia  
Phone: +61-2-9888-9999  
Fax: +61-2-9888-9588

**KYOCERA Document Solutions****New Zealand Ltd.**

Ground Floor, 19 Byron Avenue, Takapuna, Auckland,  
New Zealand  
Phone: +64-9-415-4517  
Fax: +64-9-415-4597

**KYOCERA Document Solutions Asia Limited**

16/F., Mita Centre, 552-566, Castle Peak Road  
Tsuenwan, NT, Hong Kong  
Phone: +852-2610-2181  
Fax: +852-2610-2063

**KYOCERA Document Solutions****(China) Corporation**

8F, No. 288 Nanjing Road West, Huangpu District,  
Shanghai, 200003, China  
Phone: +86-21-5301-1777  
Fax: +86-21-5302-8300

**KYOCERA Document Solutions****(Thailand) Corp., Ltd.**

335 Ratchadapisek Road, Bangsue, Bangkok 10800,  
Thailand  
Phone: +66-2-586-0333  
Fax: +66-2-586-0278

**KYOCERA Document Solutions****Singapore Pte. Ltd.**

12 Tai Seng Street #04-01A,  
Luxasia Building, Singapore 534118  
Phone: +65-6741-8733  
Fax: +65-6748-3788

**KYOCERA Document Solutions****Hong Kong Limited**

16/F., Mita Centre, 552-566, Castle Peak Road  
Tsuenwan, NT, Hong Kong  
Phone: +852-3582-4000  
Fax: +852-3185-1399

**KYOCERA Document Solutions****Taiwan Corporation**

6F., No.37, Sec. 3, Minquan E. Rd.,  
Zhongshan Dist., Taipei 104, Taiwan R.O.C.  
Phone: +886-2-2507-6709  
Fax: +886-2-2507-8432

**KYOCERA Document Solutions Korea Co., Ltd.**

18F, Kangnam bldg, 1321-1,  
Seocho-Dong, Seocho-Gu, Seoul, Korea  
Phone: +822-6933-4050  
Fax: +822-747-0084

**KYOCERA Document Solutions****India Private Limited**

First Floor, ORCHID CENTRE  
Sector-53, Golf Course Road, Gurgaon 122 002,  
India  
Phone: +91-0124-4671000  
Fax: +91-0124-4671001



**KYOCERA Document Solutions Europe B.V.**

Bloemlaan 4, 2132 NP Hoofddorp,  
The Netherlands  
Phone: +31-20-654-0000  
Fax: +31-20-653-1256

**KYOCERA Document Solutions Nederland B.V.**

Beechavenue 25, 1119 RA Schiphol-Rijk,  
The Netherlands  
Phone: +31-20-5877200  
Fax: +31-20-5877260

**KYOCERA Document Solutions (U.K.) Limited**

Eldon Court, 75-77 London Road,  
Reading, Berkshire RG1 5BS,  
United Kingdom  
Phone: +44-118-931-1500  
Fax: +44-118-931-1108

**KYOCERA Document Solutions Italia S.p.A.**

Via Verdi, 89/91 20063 Cernusco s/N.(MI),  
Italy  
Phone: +39-02-921791  
Fax: +39-02-92179-600

**KYOCERA Document Solutions Belgium N.V.**

Sint-Martinusweg 199-201 1930 Zaventem,  
Belgium  
Phone: +32-2-7209270  
Fax: +32-2-7208748

**KYOCERA Document Solutions France S.A.S.**

Espace Technologique de St Aubin  
Route de l'Orme 91195 Gif-sur-Yvette CEDEX,  
France  
Phone: +33-1-69852600  
Fax: +33-1-69853409

**KYOCERA Document Solutions Espana, S.A.**

Edificio Kyocera, Avda. de Manacor No.2,  
28290 Las Matas (Madrid), Spain  
Phone: +34-91-6318392  
Fax: +34-91-6318219

**KYOCERA Document Solutions Finland Oy**

Atomitie 5C, 00370 Helsinki,  
Finland  
Phone: +358-9-47805200  
Fax: +358-9-47805390

**KYOCERA Document Solutions  
Europe B.V., Amsterdam (NL) Zürich Branch**

Hohlstrasse 614, 8048 Zürich,  
Switzerland  
Phone: +41-44-9084949  
Fax: +41-44-9084950

**KYOCERA Document Solutions  
Deutschland GmbH**

Otto-Hahn-Strasse 12, 40670 Meerbusch,  
Germany  
Phone: +49-2159-9180  
Fax: +49-2159-918100

**KYOCERA Document Solutions Austria GmbH**

Eduard-Kittenberger-Gasse 95, 1230 Vienna,  
Austria  
Phone: +43-1-863380  
Fax: +43-1-86338-400

**KYOCERA Document Solutions Nordic AB**

Esbogatan 16B 164 75 Kista, Sweden  
Phone: +46-8-546-550-00  
Fax: +46-8-546-550-10

**KYOCERA Document Solutions Norge Nuf**

Postboks 150 Oppsal, 0619 Oslo,  
Norway  
Phone: +47-22-62-73-00  
Fax: +47-22-62-72-00

**KYOCERA Document Solutions Danmark A/S**

Ejby Industrivej 60, DK-2600 Glostrup,  
Denmark  
Phone: +45-70223880  
Fax: +45-45765850

**KYOCERA Document Solutions Portugal Lda.**

Rua do Centro Cultural, 41 (Alvalade) 1700-106 Lisboa,  
Portugal  
Phone: +351-21-843-6780  
Fax: +351-21-849-3312

**KYOCERA Document Solutions  
South Africa (Pty) Ltd.**

KYOCERA House, Hertford Office Park,  
90 Bekker Road (Cnr. Allandale), Midrand, South Africa.  
Phone: +27-11-540-2600  
Fax: +27-11-466-3050

**KYOCERA Document Solutions Russia LLC**

Botanichesky pereulok 5, Moscow, 129090,  
Russia  
Phone: +7(495)741-0004  
Fax: +7(495)741-0018

**KYOCERA Document Solutions Middle East**

Dubai Internet City, Bldg. 17,  
Office 157 P.O. Box 500817, Dubai,  
United Arab Emirates  
Phone: +971-04-433-0412

**KYOCERA Document Solutions Inc.**

2-28, 1-chome, Tamatsukuri, Chuo-ku  
Osaka 540-8585, Japan  
Phone: +81-6-6764-3555  
<http://www.kyoceradocumentsolutions.com>

© 2014 KYOCERA Document Solutions Inc.

 is a trademark of KYOCERA Corporation