



---

# FS-1100 FS-1300D

## PARTS LIST

Published in October 2007  
2HSPL070  
842HS120  
First Edition

## NOTES

1. Indicate parts number and parts description together with the machine model name when placing an order.

e.g.	Parts Number	Parts Name	Machine Model	Quantity
	302H508010	BASE BYPASS	FS-1100	1
	302HS08050	BASE MPF	FS-1300D	1

2. Symbols in the "Parts Number" column.

- Parts with "•" are component parts or sub-assemblies of the assembly appearing immediately above them.

e.g.	Parts Number	Parts Name	Parts Number	Parts Name
	302HS93080	CT-130	•302F909031	LEVER BASE CAS REAR
			•302F909040	SPRING BASE CAS REAR

- Parts with "••" are component parts or sub-assembly with "•" appearing immediately above them.

e.g.	Parts Number	Parts Name	Parts Number	Parts Name
	•302HS94000	PLATE BOTTOM ASSY	••302F909210	PAD BOTTOM
			••302HS09110	PLATE BOTTOM

- Parts with "⊙" indicate regular maintenance parts.

———— CONTENTS ————

FIG. 1	Covers.....	2
FIG. 2	Frames (Simplex model).....	4
FIG. 2	Frames (Duplex model).....	6
FIG. 3	Paper Cassette .....	8
FIG. 4	Paper Feed Section 1 .....	10
FIG. 5	Paper Feed Section 2 .....	12
FIG. 6	Image Formation Section .....	14
FIG. 7	Developing Section .....	16
FIG. 8	Fuser Section .....	18
FIG. 9	Drive Section (Simplex model).....	20
FIG. 9	Drive Section (Duplex model) .....	22
FIG. 10	Duplex Section (Duplex model).....	24
FIG. 11	Electrical Components .....	26
FIG. 12	Parts Package.....	28
	• INDEX .....	29

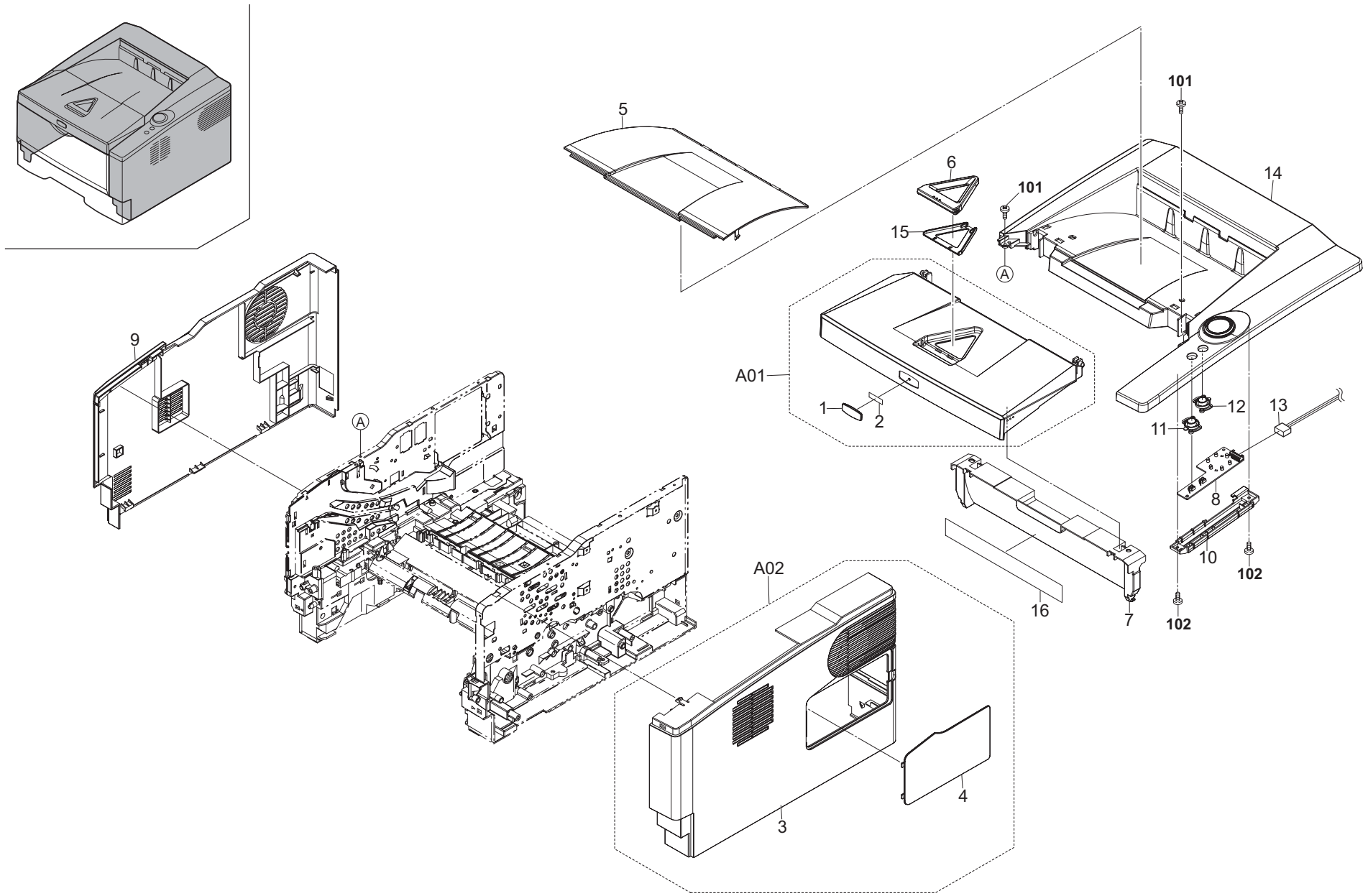


FIG. 1 Covers

2H5/2HS

Ref. No.	Part.No.	Alternative.	Description	Quantity		
				120	230	240
⊙ A01	302HS94020	2HS94020	LID TOP ASSY	1	1	1
1	*302F904120	2F904120	EMBLEM KYOCERA	1	1	1
2	*302F904130	2F904130	TAPE EMBLEM	1	1	1
⊙ A02	302HS00030	2HS00030	COVER RIGHT ASSY (Duplex model)	1	1	1
⊙ A02	302HS00010	2HS00010	COVER RIGHT ASSY (Simplex model)	1	1	1
3	*302HS04040	2HS04040	COVER RIGHT (Duplex model)	1	1	1
3	*302HS04010	2HS04010	COVER RIGHT (Simplex model)	1	1	1
4	*302HS04060	2HS04060	COVER DIMM	1	1	1
5	302HS04050	2HS04050	COVER TOP B	1	1	1
6	302HS04070	2HS04070	COVER RACK	1	1	1
7	302HS04130	2HS04130	COVER FRONT	1	1	1
8	302HS01030	2HS01030	P.W.B BOARD ASSY PANEL	1	1	1
9	302HS04030	2HS04030	COVER LEFT	1	1	1
10	302HS04080	2HS04080	COVER PANEL	1	1	1
11	302HS04100	2HS04100	BUTTON ENTER	1	1	1
12	302HS04110	2HS04110	BUTTON CANCEL	1	1	1
13	302HS46230	2HS46230	CONN.CORD ASSY PANEL-RELAY S03353	1	1	1
14	302HS94010	2HS94010	COVER TOP ASSY	1	1	1
15	302HS04160	2HS04160	COVER RACK B	1	1	1
16	302HS34080	2HS34080	LABEL JAM TK OPERATION (Duplex model)	1	1	1

Ref. No.	Part.No.	Alternative.	Description	Quantity		
				120	230	240
101	5MBTPB4010PW++R	B1A64100	BIND T.T SCREW(+)/ M4 X 10 CRFREE P-T			
102	5MBTPB3008PW++R	B1A63080	BIND T.T SCREW(+)/ M3 X 8 CRFREE P-T			

- Parts with "\*" are component parts or sub-assemblies of the assembly appearing immediately above them.
- Parts with "⊙" indicate regular maintenance parts.

- Parts with "••" are component parts or sub-assembly with "•" appearing immediately above them.

FIG. 2 Frames (Simplex model)

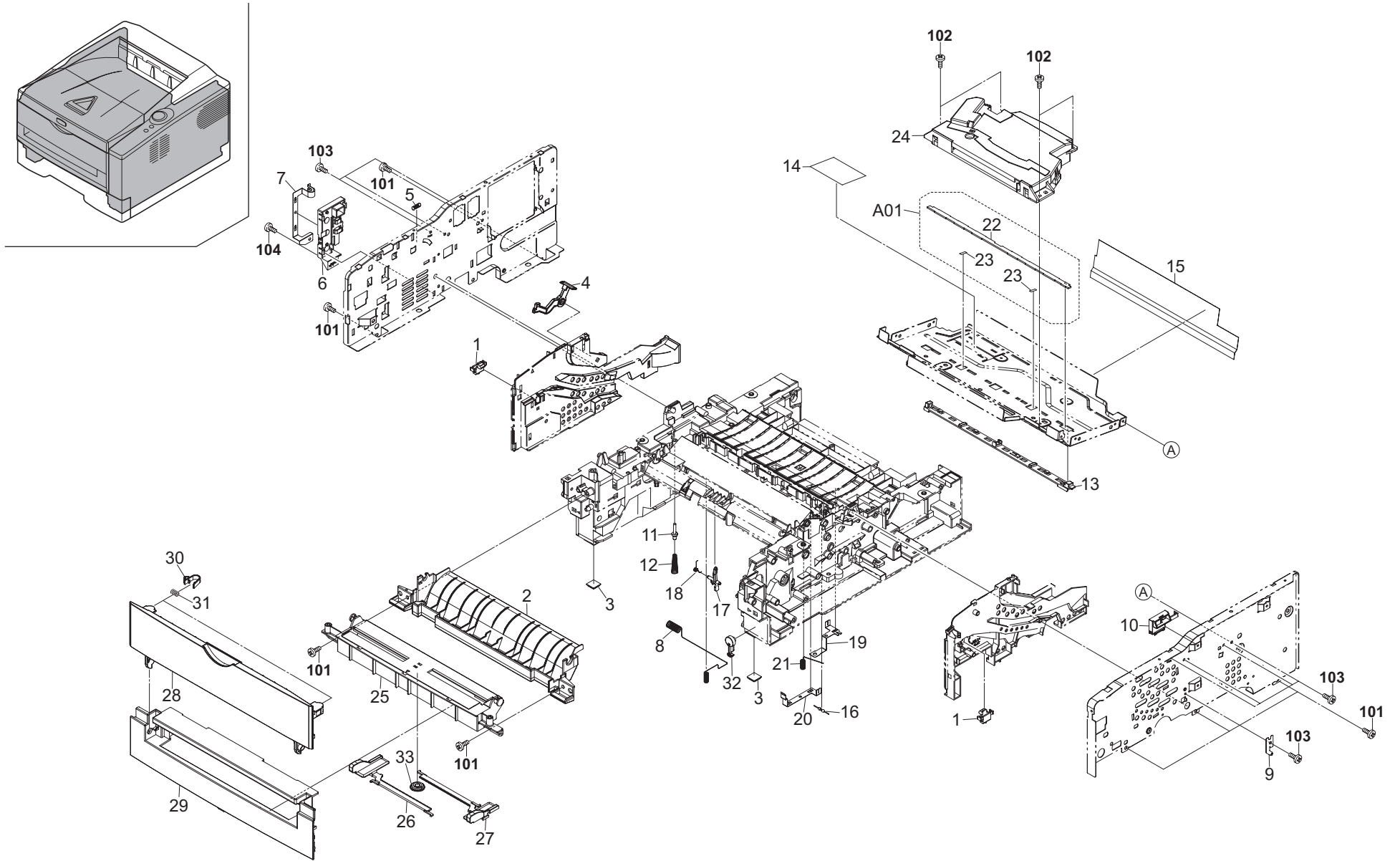


FIG. 2 Frames (Simplex model)

2H5/2HS

	Ref. No.	Part.No.	Alternative.	Description	Quantity		
					120	230	240
	1	302F902420	2F902420	LOCK COVER TOP R	2	2	2
	2	302HS08040	2HS08040	GUIDE TURN MPF	1	1	1
⊙	3	5MVX221RB014	2BS03110	FOOT /43307C0007 A4	2	2	2
⊙	4	302HS02090	2HS02090	LEVER STOPPER DLP	1	1	1
	5	302HS02100	2HS02100	SPRING STOPPER DLP	1	1	1
	6	302HS02130	2HS02130	HOLDER MC	1	1	1
	7	302HS02140	2HS02140	PLATE CONTACT MC	1	1	1
	8	302HS02160	2HS02160	SPRING MC	1	1	1
	9	302HS02290	2HS02290	PLATE EARTH DRUM	1	1	1
	10	302HS02350	2HS02350	COVER CABLE B	1	1	1
	11	302HS02460	2HS02460	PIN CONTACT BIAS	1	1	1
	12	302HS02470	2HS02470	SPRING PIN BIAS	1	1	1
	13	302HS02500	2HS02500	HOLDER ERASER	1	1	1
	14	302HS02580	2HS02580	SHEET DUCT LSU	1	1	1
	15	302HS02590	2HS02590	SHEET DUCT FD	1	1	1
	16	7RHA2H10701+H01	RH043740	M.GLAZE R. 100MJ 1/2W	1	1	1
	17	302HS24060	2HS24060	ACTUATOR REGIST	1	1	1
	18	302HS24070	2HS24070	SPRING ACTUATOR REG	1	1	1
	19	302HS24080	2HS24080	PLATE EARTH HV	1	1	1
	20	302HS24110	2HS24110	PLATE ERATH PAPER CHUTE	1	1	1
	21	302HS24300	2HS24300	SPRING CONTACT TC	1	1	1
A01	302HS94110	2HS94110	ERASER KIT	1	1	1	
⊙	22	*302HS01050	2HS01050	P.W.BOARD ASSY /ERASER	1	1	1
⊙	23	*302HS02630	2HS02630	TAPE ERASER	2	2	2
⊙	24	302HS93090	2HS93090	LK-130	1	1	1
	25	302H508010	2H508010	BASE BYPASS	1	1	1
	26	302H508020	2H508020	GUIDE BYPASS L	1	1	1
	27	302H508030	2H508030	GUIDE BYPASS R	1	1	1
⊙	28	302H508040	2H508040	COVER BYPASS UP	1	1	1
⊙	29	302H508050	2H508050	COVER BYPASS LOW	1	1	1
	30	302F908200	2F908200	LOCK COVER	2	2	2
	31	302F925780	2F925780	SPRING DU	2	2	2
⊙	32	302HS02650	2HS02650	HOOK PF	1	1	1
	33	5MVG137DN032	2A806720	GEAR MPF /A-49 MPF A4	1	1	1

	Ref. No.	Part.No.	Alternative.	Description	Quantity		
					120	230	240
	101	5MBTPB4010PW++R	B1A64100	BIND T.T SCREW(+)/ M4 X 10 CRFREE P-T			
	102	7BB600308H	BB055190	+BIND SCREW M3X8 CRFREE SR			
	103	5MBTPB3006TW++R	B1A53060	BIND T.T SCREW(+)/ M3 X 6 CRFREE S-T			
	104	5MBTPB3008PW++R	B1A63080	BIND T.T SCREW(+)/ M3 X 8 CRFREE P-T			

- Parts with "\*" are component parts or sub-assemblies of the assembly appearing immediately above them.
- Parts with "⊙" indicate regular maintenance parts.

- Parts with "••" are component parts or sub-assembly with "•" appearing immediately above them.

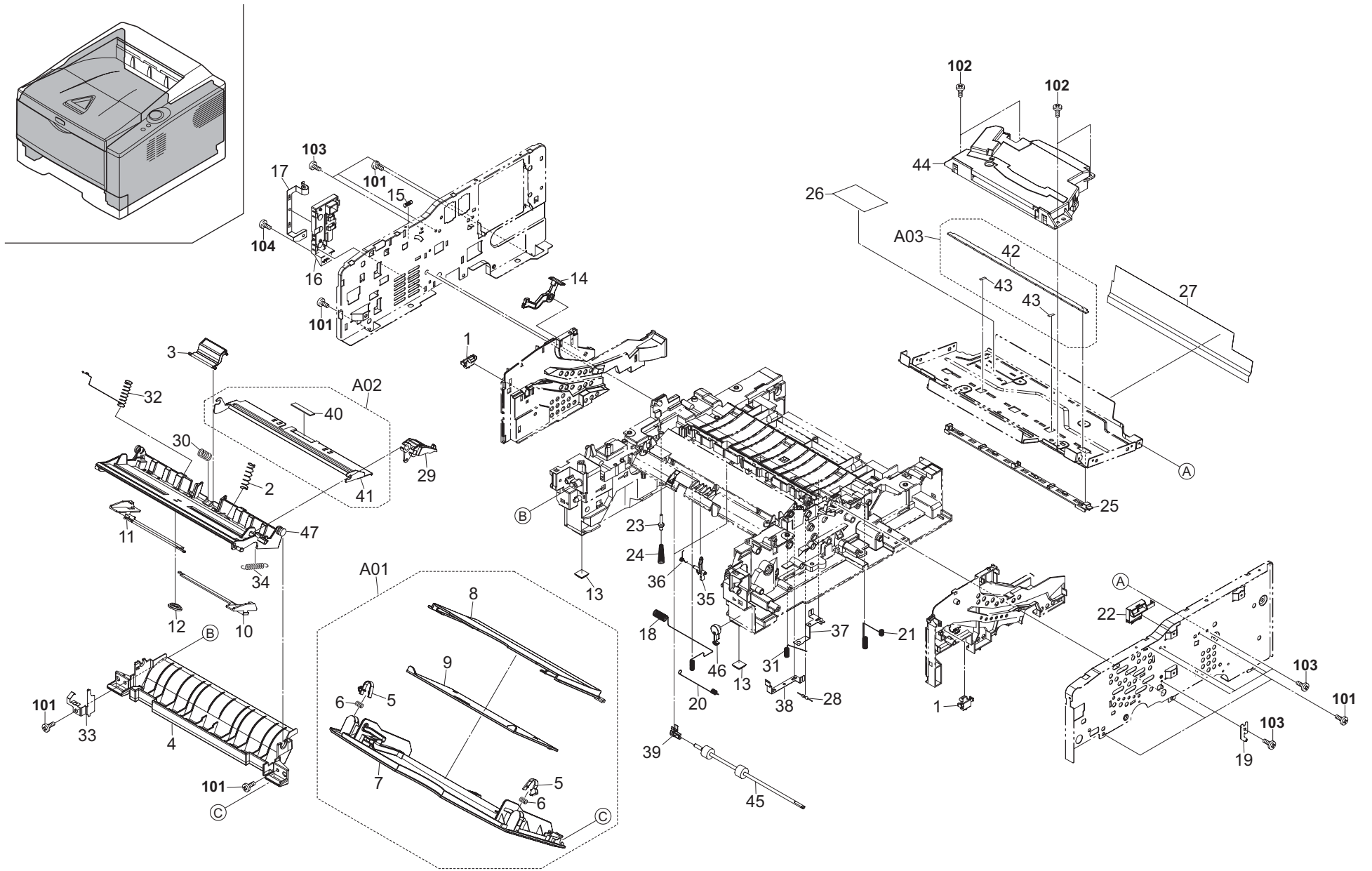




FIG. 2 Frames (Duplex model)

2H5/2HS

	Ref. No.	Part.No.	Alternative.	Description	Quantity		
					120	230	240
	1	302F902420	2F902420	LOCK COVER TOP R	2	2	2
	2	302F908270	2F908270	SP BOTTOM MPF L	1	1	1
⊙	3	302HS94040	2HS94040	SEPARATOR MPF ASSY	1	1	1
	4	302HS08040	2HS08040	GUIDE TURN MPF	1	1	1
⊙	A01	302HS00010	2HS00010	TRAY MPF ASSY	1	1	1
	5	*302F908200	2F908200	LOCK COVER	2	2	2
	6	*302F925780	2F925780	SPRING DU	2	2	2
	7	*302HS08020	2HS08020	COVER MPF KM	1	1	1
	8	*302HS08060	2HS08060	TRAY MPF MID	1	1	1
	9	*302HS08220	2HS08220	TRAY MPF TOP	1	1	1
	10	302HS08240	2HS08240	GUIDE MPF R	1	1	1
	11	302HS08250	2HS08250	GUIDE MPF L	1	1	1
	12	5MVG137DN032	2A806720	GEAR MPF /A-49 MPF A4	1	1	1
⊙	13	5MVX221RB014	2BS03110	FOOT /43307C0007 A4	2	2	2
⊙	14	302HS02090	2HS02090	LEVER STOPPER DLP	1	1	1
	15	302HS02100	2HS02100	SPRING STOPPER DLP	1	1	1
	16	302HS02130	2HS02130	HOLDER MC	1	1	1
	17	302HS02140	2HS02140	PLATE CONTACT MC	1	1	1
	18	302HS02160	2HS02160	SPRING MC	1	1	1
	19	302HS02290	2HS02290	PLATE EARTH DRUM	1	1	1
	20	302HS02310	2HS02310	SPRING EARTH DU FEED	1	1	1
	21	302HS02330	2HS02330	SPRING EARTH DU PLATE	1	1	1
	22	302HS02350	2HS02350	COVER CABLE B	1	1	1
	23	302HS02460	2HS02460	PIN CONTACT BIAS	1	1	1
	24	302HS02470	2HS02470	SPRING PIN BIAS	1	1	1
	25	302HS02500	2HS02500	HOLDER ERASER	1	1	1
	26	302HS02580	2HS02580	SHEET DUCT LSU	1	1	1
	27	302HS02590	2HS02590	SHEET DUCT FD	1	1	1
	28	7RHA2H10701+H01	RH043740	M.GLAZE R. 100MJ 1/2W	1	1	1
	29	302HS08100	2HS08100	BRACKET BOTTOM	1	1	1
	30	302HS08170	2HS08170	SPRING SEPARATOR	1	1	1
	31	302HS24300	2HS24300	SPRING CONTACT TC	1	1	1
	32	302HS08210	2HS08210	SPRING EARTH MPF	1	1	1
	33	302HS08230	2HS08230	PLATE EARTH BOTTOM	1	1	1
	34	302HS08270	2HS08270	SPRING BRACKET	1	1	1
	35	302HS24060	2HS24060	ACTUATOR REGIST	1	1	1
	36	302HS24070	2HS24070	SPRING ACTUATOR REG	1	1	1
	37	302HS24080	2HS24080	PLATE EARTH HV	1	1	1
	38	302HS24110	2HS24110	PLATE ERATH PAPER CHUTE	1	1	1
	39	302HS24130	2HS24130	BUSH 4 DU ROLL	2	2	2
⊙	A02	302HS94050	2HS94050	PLATE BOTTOM MPF ASSY	1	1	1
	40	*302F908310	2F908310	PAD FRICTION MPF	1	1	1
	41	*302HS08180	2HS08180	PLATE BOTTOM MPF	1	1	1
A03	302HS94110	2HS94110	ERASER KIT	1	1	1	
⊙	42	*302HS01050	2HS01050	P.W.BOARD ASSY /ERASER	1	1	1
	43	*302HS02630	2HS02630	TAPE ERASER	2	2	2
⊙	44	302HS93090	2HS93090	LK-130	1	1	1
⊙	45	302HS24160	2HS24160	ROLLER DU	2	2	2
⊙	46	302HS02650	2HS02650	HOOK PF	1	1	1
	47	302HS08050	2HS08050	BASE MPF	1	1	1

	Ref. No.	Part.No.	Alternative.	Description	Quantity		
					120	230	240
	101	5MBTPB4010PW++R	B1A64100	BIND T.T SCREW(+)/ M4 X 10 CRFREE P-T			
	102	7BB600308H	BB055190	+BIND SCREW M3X8 CRFREE SR			
	103	5MBTPB3006TW++R	B1A53060	BIND T.T SCREW(+)/ M3 X 6 CRFREE S-T			
	104	5MBTPB3008PW++R	B1A63080	BIND T.T SCREW(+)/ M3 X 8 CRFREE P-T			

- Parts with "\*" are component parts or sub-assemblies of the assembly appearing immediately above them.
- Parts with "⊙" indicate regular maintenance parts.

- Parts with "••" are component parts or sub-assembly with "•" appearing immediately above them.

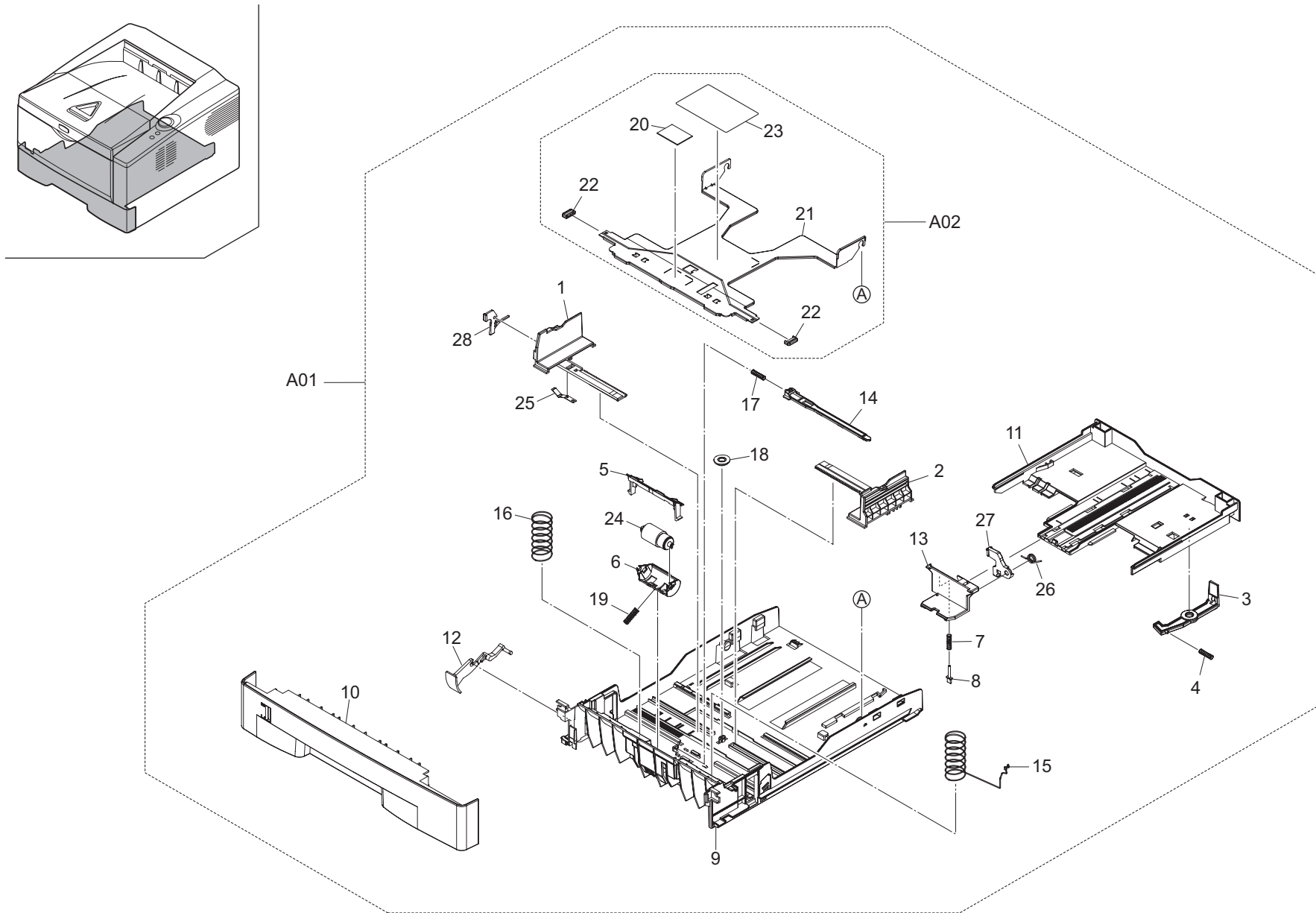


FIG. 3 Paper Cassette

2H5/2HS

	Ref. No.	Part.No.	Alternative.	Description	Quantity		
					120	230	240
⊙	A01	302HS93080	2HS93080	CT-130	1	1	1
	1	*2FM06010	5MVX765SH004	GUIDE SIDE L /B-11 CASSETTE A2	1	1	1
	2	*2FM06020	5MVX765SH005	GUIDE SIDE R /B-11 CASSETTE A2	1	1	1
	3	*302F909031	2F909031	LEVER BASE CAS REAR	1	1	1
	4	*302F909040	2F909040	SPRING BASE CAS REAR	1	1	1
	5	*302GJ09110	2GJ09110	GUIDE RETARD	1	1	1
	6	*302GJ09120	2GJ09120	HOLDER RETARD	1	1	1
	7	*302HN09190	2HN09190	SPRING FIX	1	1	1
	8	*302HN09240	2HN09240	SIZE FIX	1	1	1
	9	*302HS09010	2HS09010	BASE CASSETTE	1	1	1
⊙	10	*302HS09020	2HS09020	COVER CASSETTE KM	1	1	1
	11	*302HS09040	2HS09040	BASE CASSETTE REAR	1	1	1
	12	*302HS09070	2HS09070	PAPER INDICATOR	1	1	1
	13	*302HS09080	2HS09080	CURSOR END	1	1	1
	14	*302HS09100	2HS09100	LOCK BOTTOM	1	1	1
	15	*302HS09120	2HS09120	SPRING BOTTOM L	1	1	1
	16	*302HS09130	2HS09130	SPRING BOTTOM R	1	1	1
	17	*302HS09140	2HS09140	SPRING LOCK BOTTOM	1	1	1
	18	*302HS09160	2HS09160	GEAR CASSETTE	1	1	1
	19	*302HS09180	2HS09180	SPRING RETARD	1	1	1
⊙	A02	*302HS94000	2HS94000	PLATE BOTTOM ASSY	1	1	1
	20	**302F909210	2F909210	PAD BOTTOM	1	1	1
	21	**302HS09110	2HS09110	PLATE BOTTOM	1	1	1
	22	**302HS09170	2HS09170	CAP BOTTOM	2	2	2
	23	**302HS34030	2HS34030	LABEL OPERATION	1	1	1
⊙	24	*5AAVROLL+052	2BR06520	RETARD ROLL ASSY /43487V0005 A4	1	1	1
	25	*5MMP141LD002	2A807510	PLATE SIDE GUIDE /A49 CASSETTE A4	1	1	1
	26	*5MMW171LD006	2A807530	SPRING STOPPER /A49 CASSETTE A4	1	1	1
	27	*5MVX541DG002	2A807191	LEVER REAR /A-49 CASSETTE A3	1	1	1
	28	*5MVX541DG003	2A807161	LEVER SIDE /A-49 CASSETTE A3	1	1	1

- Parts with "\*" are component parts or sub-assemblies of the assembly appearing immediately above them.
- Parts with "⊙" indicate regular maintenance parts.

- Parts with "••" are component parts or sub-assembly with "•" appearing immediately above them.

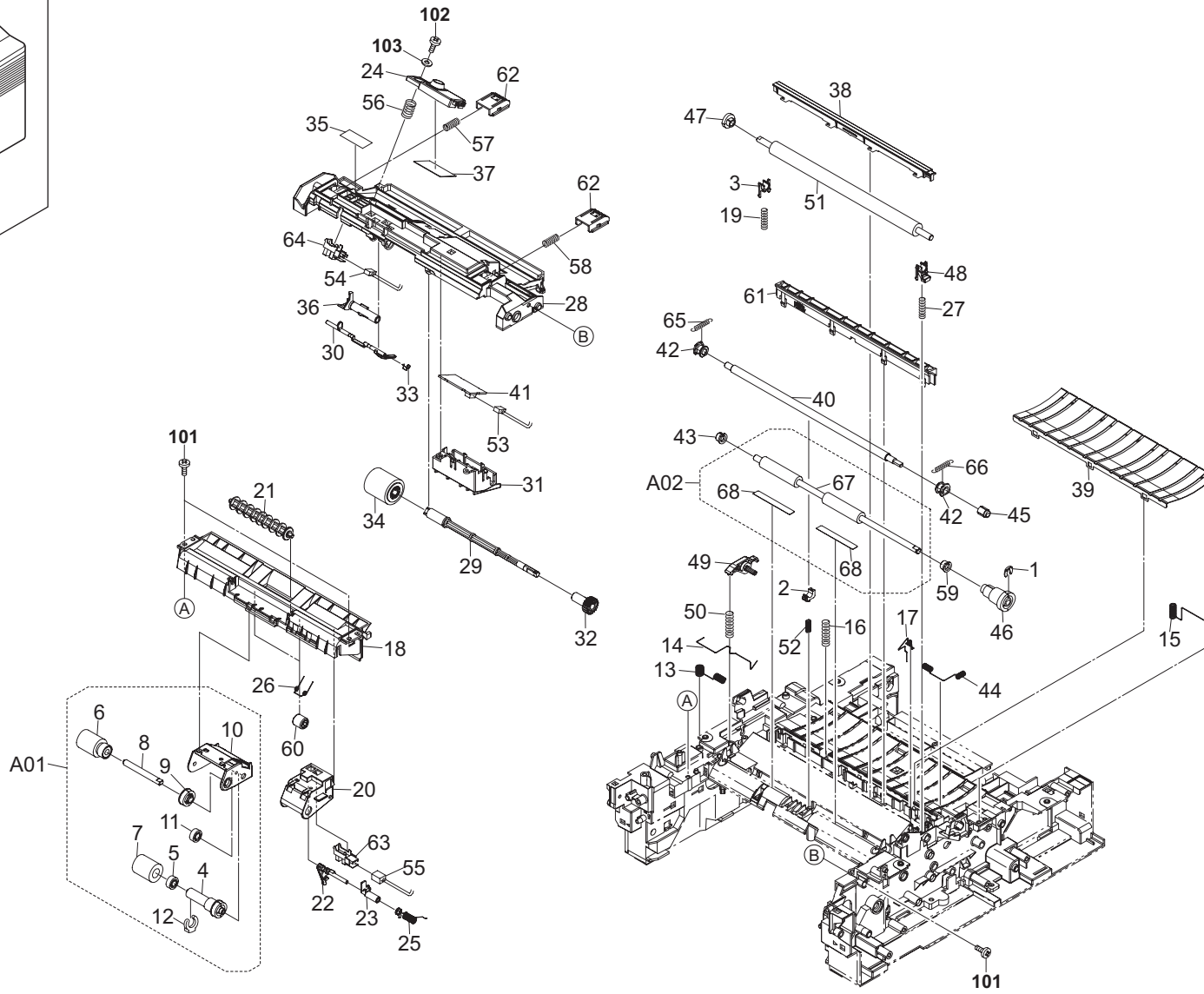
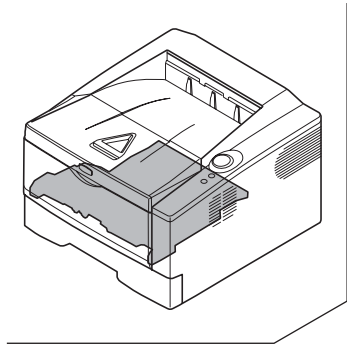


FIG. 4 Paper Feed Section 1

2H5/2HS

Ref. No.	Part.No.	Alternative.	Description	Quantity		
				120	230	240
	1	2BC06980	STOPPER 5	1	1	1
	2	2FM02180	BUSH REGIST C /B-11 FRAME A3	1	1	1
⊙	3	302A816031	BUSH TC R /A-49 FEED A4	1	1	1
⊙	A01	302HS94030	HOLDER FEED ASSY	1	1	1
	4	*302F906170	JOINT PICKUP A	1	1	1
	5	*302F906180	JOINT PICKUP B	1	1	1
	6	*302F906230	PULLEY FEED ASSY	1	1	1
	7	*302F906240	PULLEY PICKUP ASSY	1	1	1
	8	*302F906270	SHAFT FEED L	1	1	1
	9	*302F906280	GEAR FEED Z30H	1	1	1
⊙	10	*302HS06020	HOLDER FEED	1	1	1
	11	*302HS06090	GEAR Z22S FEED	1	1	1
⊙	12	*5MVX111DN003	RING STOPPER /A-49 FEED A4	1	1	1
	13	302HS02250	SPRING EARTH REG UP	1	1	1
	14	302HS02260	SPRING EARTH REG LOW	1	1	1
	15	302HS02340	SPRING EARTH RIGHT	1	1	1
	16	302HS02410	SPRING EARTH DU MID (Duplex model)	1	1	1
	17	302HS02440	SPRING EARTH DLP PLATE	1	1	1
	18	302HS06010	FRAME FEED	1	1	1
	19	302G622010	SPRING TC L	1	1	1
	20	302HS06040	GUIDE FEED R	1	1	1
	21	302HS06050	PULLEY FEED	1	1	1
⊙	22	302HS06060	ACTUATOR EMPTY A	1	1	1
⊙	23	302HS06070	ACTUATOR EMPTY B	1	1	1
⊙	24	302HS01060	P.W.BOARD ASSY /EMPTY SENSOR	1	1	1
	25	302HS06120	SPRING ACTUATOR	1	1	1
	26	302HS06130	SPRING PULLEY (Duplex model)	2	2	2
	27	302FV02490	SPRING TC R	1	1	1
	28	302HS08010	FRAME MPF	1	1	1
	29	302HS08080	SHAFT FEED MPF (Duplex model)	1	1	1
⊙	30	302HS08110	ACTUATOR MPF (Duplex model)	1	1	1
	31	302HS08140	BASE IC PWB	1	1	1
⊙	32	302HS08160	GEAR Z20S MPF (Duplex model)	1	1	1
⊙	33	302HS08190	SPRING ACTUATOR (Duplex model)	1	1	1
	34	302HS08260	ROLLER M/P ASSY (Duplex model)	1	1	1
	35	302HS08290	FILM SENSOR (Duplex model)	1	1	1
	36	302HS08300	HOLDER FEED M/P (Duplex model)	1	1	1
⊙	37	302HS08310	FILM TE SENSOR	1	1	1
	38	302HS24010	GUIDE PAPER CHUTE	1	1	1
	39	302HS24020	GUIDE EARTH	1	1	1
⊙	40	302HS24040	ROLLER REGIST UP	1	1	1
	41	302HS01130	P.W.B RFID WITH SOFTWARE	1	1	1
	42	302HS24120	BUSH REGIST	2	2	2
	43	302HS24140	BUSH 6 EW	1	1	1
⊙	44	302HS24310	SPRING EARTH BRUSH	1	1	1
⊙	45	302HS24190	GEAR Z14R REG UP	1	1	1
⊙	46	302HS24200	GEAR Z21L-Z23L REG LOW	1	1	1
⊙	47	302HS24210	GEAR Z16L TC	1	1	1
⊙	48	302HS24250	BUSH TC R	1	1	1
	49	302HS24260	LEVER RELEASE TC L	1	1	1

Ref. No.	Part.No.	Alternative.	Description	Quantity		
				120	230	240
⊙	50	302HS24280	SPRING RELEASE TC L	1	1	1
⊙	51	302HS24170	ROLLER TRANSFER E	1	1	1
⊙	51	302HS24340	ROLLER TRANSFER U	1	1	1
	52	302HS24360	SPRING REGIST C	1	1	1
	53	302HS46050	CONN.CORD ASSY CONTROL-RFID S03244	1	1	1
	54	302HS46150	CONN.CORD ASSY CONTROL-MPFSSENSOR S03251 (Duplex model)	1	1	1
	55	302HS46160	CONN.CORD ASSY CONTROL-P.SENSOR S033	1	1	1
	56	5MMW261LD036	2A814570	1	1	1
	57	5MMW261LD067	2FV02270	1	1	1
	58	5MMW261LD068	2FV02280	1	1	1
	59	5MVM176DN016	2BR20170	1	1	1
	60	5MVM273DB005	2A820100	2	2	2
⊙	61	302HS94060	HOLDER DC BRUSH ASSY	1	1	1
⊙	62	5MVX431DN005	LEVER LOCK DLP	2	2	2
	63	7NXSG2481+++H01	SENSOR OPT.	1	1	1
	64	7NXSG2481+++H01	SENSOR OPT. (Duplex model)	1	1	1
⊙	65	302HS24350	SPRING REGIST L	1	1	1
⊙	66	302HS24240	SPRING REGIST R	1	1	1
⊙	A02	302HS94080	REGIST LOW KIT	1	1	1
	67	*302HS24050	ROLLER REGIST LOW	1	1	1
	68	*302HS24180	SHEET REGIST	2	2	2
	101	5MBTPB4010PW++R	B1A64100			
	102	BAA63080				
	103	7BC00030A080H01	BC046150			
			BIND T.T SCREW(+)/ M4 X 10 CRFREE P-T +TP TAP-TITE P SCREW M3X08 WASHER M3X10X0.8T			

- Parts with "\*" are component parts or sub-assemblies of the assembly appearing immediately above them.
- Parts with "⊙" indicate regular maintenance parts.

- Parts with "••" are component parts or sub-assembly with "•" appearing immediately above them.

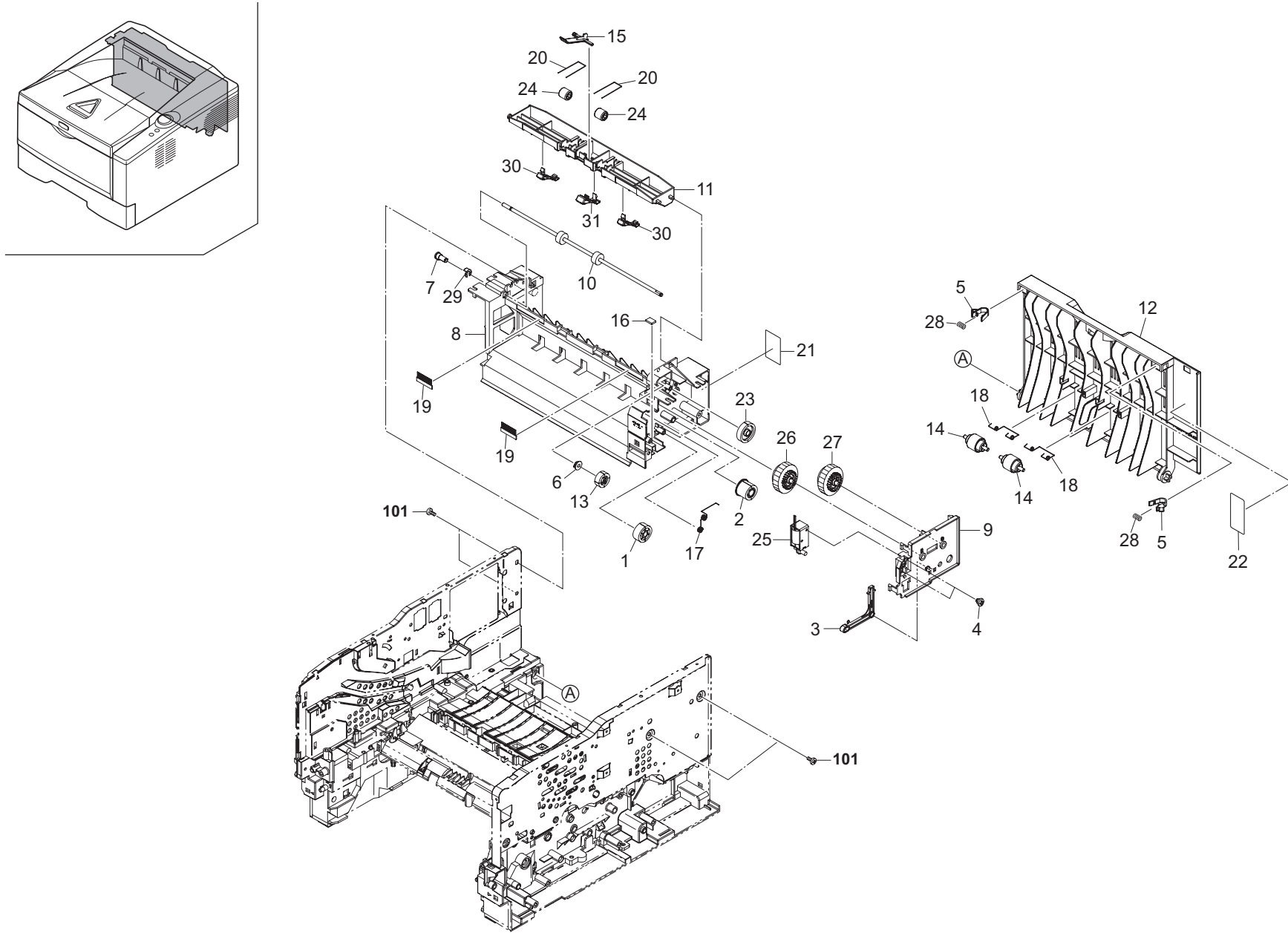


FIG. 5 Paper Feed Section 2

2H5/2HS

Ref. No.	Part.No.	Alternative.	Description	Quantity		
				120	230	240
⊙	1	2BL06380	GEAR Z25 JOINT	1	1	1
⊙	2	2FM02350	GEAR Z22 /B-11 FRAME A4	1	1	1
	3	2FM20050	LEVER SOLENOID /B-11 FD A3	1	1	1
	4	302F325010	STUD SCREW M3 (Duplex model)	2	2	2
	5	302F908200	LOCK COVER	2	2	2
	6	302F929140	BUSH DU	1	1	1
	7	302HN29050	BUSH DU	1	1	1
	8	302HS28010	FRAME FD	1	1	1
	9	302HS28020	COVER FRAME FD	1	1	1
⊙	10	302HS28030	ROLLER FD UP	1	1	1
	11	302HS28040	COVER FD	1	1	1
	12	302HS28050	COVER REAR	1	1	1
⊙	13	302HS28060	GEAR Z21S	1	1	1
	14	302HS28070	PULLEY EXIT	2	2	2
	15	302HS28080	ACTUATOR PAPER	1	1	1
	16	5MVS217SN002	PAD SOLENOID /FS-1000 A4 (Duplex model)	1	1	1
	17	302HS28110	SPRING EARTH	1	1	1
	18	302HS28120	SPRING EXIT	2	2	2
⊙	19	302HS28130	DISCHARGER FD	2	2	2
	20	302HS28140	SPRING PULLEY	2	2	2
	21	302HS34010	LABEL FUSER CAUTION	1	1	1
	22	302HS34020	LABEL FUSER JAM	1	1	1
⊙	23	5MVG138DN048	GEAR FD Z29 /43397B0051 A4	1	1	1
	24	5MVM273DB005	PULLEY EXIT /A-49 FUSER A3	2	2	2
⊙	25	302G680110	SOLENOID ASSY (Duplex model)	1	1	1
⊙	26	2FM68250	GEAR CLUTCH ASSY A	1	1	1
⊙	27	2FM68260	GEAR CLUTCH ASSY B (Duplex model)	1	1	1
	28	302F925780	SPRING DU	2	2	2
	29	5MVX111DN007	STOPPER 3 /2BT1107 A4	1	1	1
	30	302HS28150	GUIDE FD SIDE (Duplex model)	2	2	2
	31	302HS28160	GUIDE FD CENTER (Duplex model)	1	1	1

Ref. No.	Part.No.	Alternative.	Description	Quantity		
				120	230	240
	101	5MBTPB4010PW++R	B1A64100	BIND T.T SCREW(+)/ M4 X 10 CRFREE P-T		

- Parts with "\*" are component parts or sub-assemblies of the assembly appearing immediately above them.
- Parts with "⊙" indicate regular maintenance parts.

- Parts with "••" are component parts or sub-assembly with "•" appearing immediately above them.

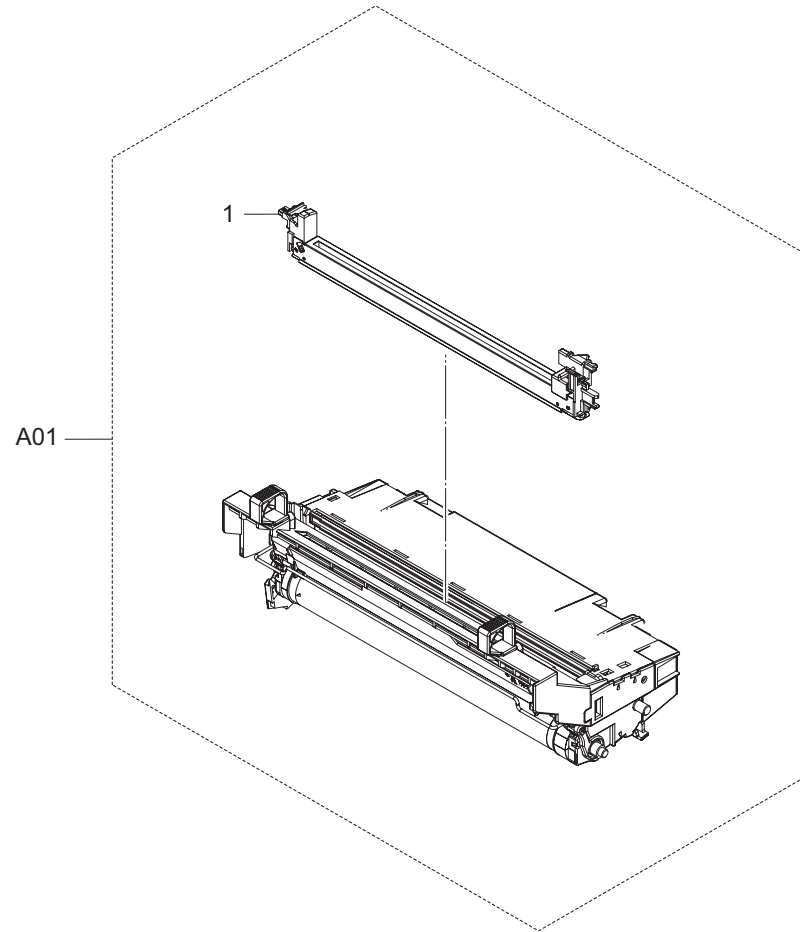
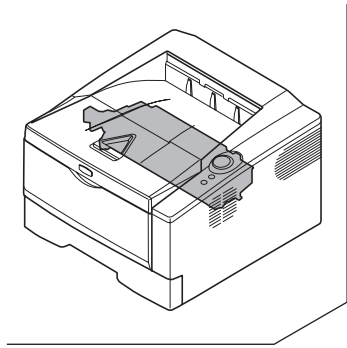




FIG. 6 Image Formation Section

2H5/2HS

	Ref. No.	Part.No.	Alternative.	Description	Quantity		
					120	230	240
⊙	A01	302HS93010	2HS93010	DK-130	1	1	1
⊙	1	*302HS93070	2HS93070	MC-130	1	1	1

- Parts with "\*" are component parts or sub-assemblies of the assembly appearing immediately above them.
- Parts with "⊙" indicate regular maintenance parts.

- Parts with "\*•" are component parts or sub-assembly with "\*" appearing immediately above them.

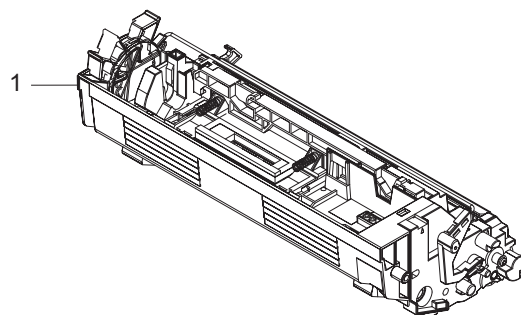
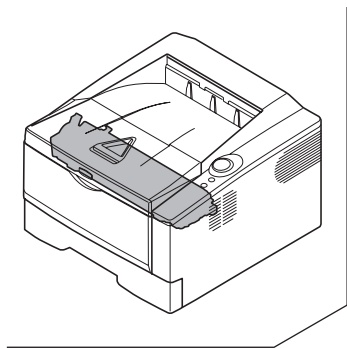


FIG. 7 Developing Section

2H5/2HS

	Ref. No.	Part.No.	Alternative.	Description	Quantity		
					120	230	240
⊙	1	302H593020	2H593020	DV-142(U) (Simplex model)	1		
⊙	1	302HS93100	2HS93100	DV-132(U) (Duplex model)	1		
⊙	1	302H593010	2H593010	DV-140(E) (Simplex model)		1	
⊙	1	302HS93020	2HS93020	DV-130(E) (Duplex model)		1	
⊙	1	302H593030	2H593030	DV-144(AO) (Simplex model)			1
⊙	1	302HS93140	2HS93140	DV-134(AO) (Duplex model)			1

- Parts with "•" are component parts or sub-assemblies of the assembly appearing immediately above them.
- Parts with "⊙" indicate regular maintenance parts.

- Parts with "••" are component parts or sub-assembly with "•" appearing immediately above them.

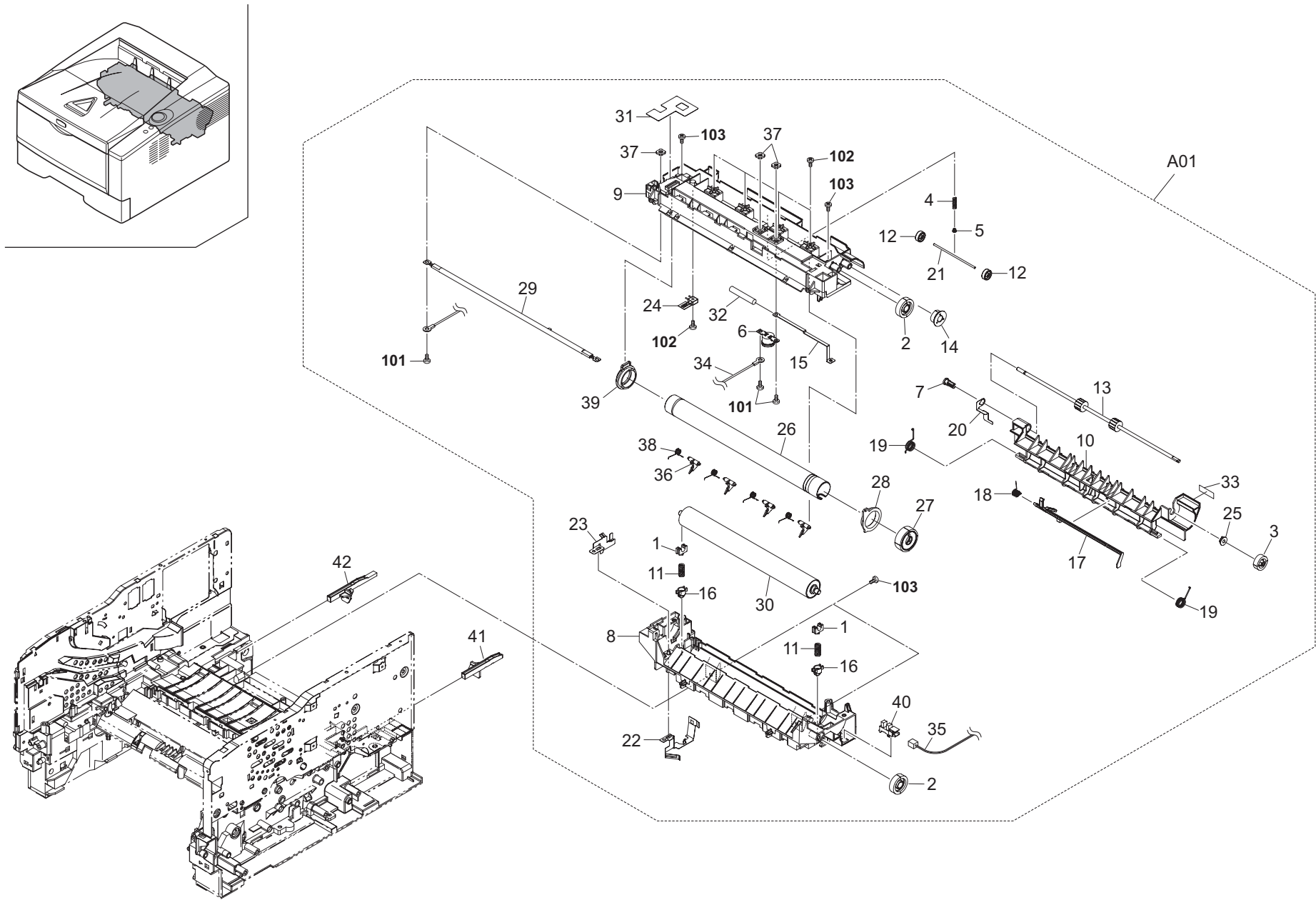


FIG. 8 Fuser Section

2H5/2HS

Ref. No.	Part.No.	Alternative.	Description	Quantity		
				120	230	240
⊙ A01	302HS93050	2HS93050	FK-130(U)	1		
⊙ A01	302HS93040	2HS93040	FK-130(E)		1	1
⊙ 1	*2BY20070	5MVX221XN004	BUSH PRESS /49523A0152 A4	2	2	2
⊙ 2	*302F925080	2F925080	GEAR IDLE A Z29	2	2	2
⊙ 3	*302F925140	2F925140	GEAR EXIT Z21	1	1	1
⊙ 4	*302F925340	2F925340	SPRING EXIT	1	1	1
⊙ 5	*302F925901	2F925901	CAP SPRING EXIT	1	1	1
⊙ 6	*302GR25290	2GR25290	THERMOSTAT M FUSER	1	1	1
⊙ 7	*302HN25450	2HN25450	BUSH EXIT	1	1	1
⊙ 8	*302HS25010	2HS25010	FRAME FUSER LOW	1	1	1
⊙ 9	*302HS25020	2HS25020	FRAME FUSER UP	1	1	1
⊙ 10	*302HS25030	2HS25030	GUIDE EXIT LOW	1	1	1
⊙ 11	*302HS25040	2HS25040	SPRING PRESSURE	2	2	2
⊙ 12	*302HS25050	2HS25050	PULLEY EXIT FUSER	2	2	2
⊙ 13	*302HS25060	2HS25060	ROLLER EXIT	1	1	1
⊙ 14	*302HS25070	2HS25070	GEAR Z18S IDLE	1	1	1
⊙ 15	*302HS25080	2HS25080	PLATE CODE	1	1	1
⊙ 16	*302HS25100	2HS25100	HOLDER SPRING PRESS	2	2	2
⊙ 17	*302HS25110	2HS25110	ACTUATOR FUSER	1	1	1
⊙ 18	*302HS25120	2HS25120	SPRING ACTUATOR	1	1	1
⊙ 19	*302HS25130	2HS25130	SPRING EXIT L	2	2	2
⊙ 20	*302HS25140	2HS25140	PLATE EARTH EXIT	1	1	1
⊙ 21	*302HS25150	2HS25150	SHAFT EXIT	1	1	1
⊙ 22	*302HS25160	2HS25160	PLATE EARTH L	1	1	1
⊙ 23	*302HS25170	2HS25170	PLATE EARTH ROLLER	1	1	1
⊙ 24	*302HS25190	2HS25190	THERMISTOR FUSER	1	1	1
⊙ 25	*302HS25220	2HS25220	BUSH FUSER	1	1	1
⊙ 26	*302HS25230	2HS25230	ROLLER HEAT	1	1	1
⊙ 27	*302HS25260	2HS25260	GEAR Z36S HEAT	1	1	1
⊙ 28	*302HS25280	2HS25280	BUSH HEAT R	1	1	1
⊙ 29	*302HS25300	2HS25300	HEATER LAMP U	1		
⊙ 29	*302HS25240	2HS25240	HEATER LAMP E		1	1
⊙ 30	*302HS25360	2HS25360	ROLLER PRESS	1	1	1
⊙ 31	*302HS25400	2HS25400	SHEET FUSER	1	1	1
⊙ 32	*302HS25410	2HS25410	TUBE PLATE CODE	1	1	1
⊙ 33	*302HS34120	2HS34120	LABEL FUSER OPERATION (Duplex model)	1	1	1
⊙ 34	*302HS46110	2HS46110	CONN.CORD ASSY PWS-HEATER(U) S03306	1		
⊙ 34	*302HS46100	2HS46100	CONN.CORD ASSY PWS-HEATER(E) S03305		1	1
⊙ 35	*302HS46140	2HS46140	CONN.CORD ASSY CONTROL-EXITSENSOR S0	1	1	1
⊙ 36	*5AAVSEPR015	2A820360	SEPARATOR ASSY /FS-1000 A4	4	4	4
⊙ 37	*5MMS111SL002	2BY20050	NUT FUSER A /FS-1800/3800 A4	3	3	3
⊙ 38	*5MMW261LD055	2A820350	SPRING SEPARATOR /FS-1000 A4	4	4	4
⊙ 39	*5MVX441XN001	2BR20180	BUSH HEAT L /43307P0003 A4	1	1	1
⊙ 40	*7NXSG2481+++H01	NX052600	SENSOR OPT.	1	1	1
⊙ 41	302HS25200	2HS25200	LEVER FUSER R	1	1	1
⊙ 42	302HS25210	2HS25210	LEVER FUSER L	1	1	1

Ref. No.	Part.No.	Alternative.	Description	Quantity		
				120	230	240
101	5MBSP43006NW++R	B4A03060	TP HEAD SCREW(+)/ M3 X 6 DRFREE			
102	5MBTPB3012PW++R	B1A63120	BIND T.T SCREW(+)/ M3 X 12 CRFREE P-T			
103	5MBTPB4010PW++R	B1A64100	BIND T.T SCREW(+)/ M4 X 10 CRFREE P-T			

- Parts with "\*" are component parts or sub-assemblies of the assembly appearing immediately above them.
- Parts with "⊙" indicate regular maintenance parts.

- Parts with "••" are component parts or sub-assembly with "•" appearing immediately above them.

FIG. 9 Drive Section (Simplex model)

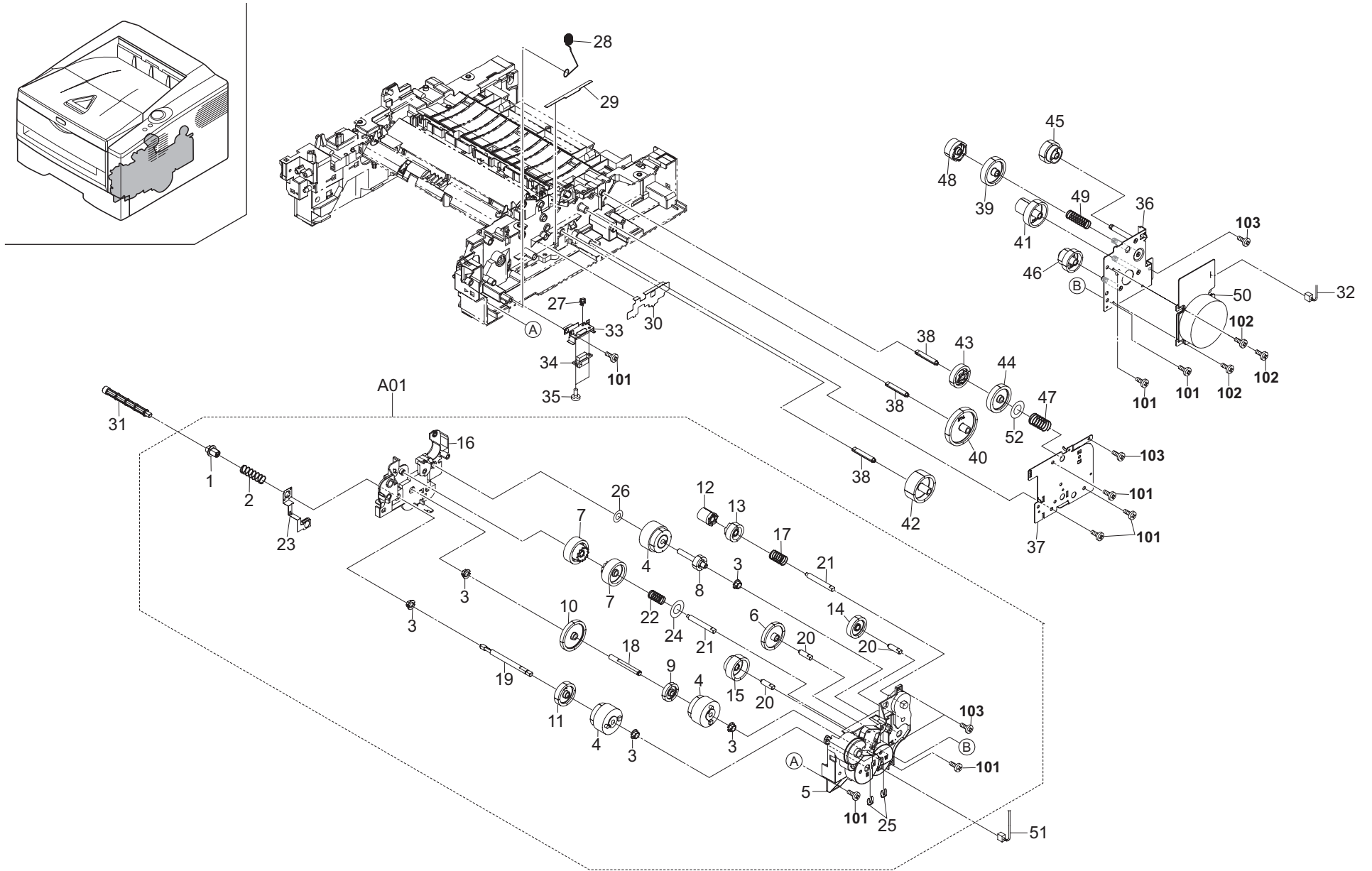


FIG. 9 Drive Section (Simplex model)

2H5/2HS

Ref. No.	Part.No.	Alternative.	Description	Quantity		
				120	230	240
⊙ A01	302H593040	2H593040	DR-140	1	1	1
1	*302F931350	2F931350	JOINT SHAFT CASSETTE	1	1	1
2	*302F931450	2F931450	SPRING FEED	1	1	1
3	*302F931490	2F931490	BUSH FEED DRIVE	5	5	5
⊙ 4	*302HN44110	2HN44110	CLUTCH FEED	3	3	3
5	*302HS31030	2HS31030	DRIVE HOLDER	1	1	1
⊙ 6	*302HS31080	2HS31080	GEAR Z42R	1	1	1
⊙ 7	*302HS31090	2HS31090	GEAR Z37L FREE	2	2	2
⊙ 8	*302HS31100	2HS31100	GEAR Z20L CLUTCH	1	1	1
⊙ 9	*302HS31120	2HS31120	GEAR Z27L CLUTCH	1	1	1
⊙ 10	*302HS31130	2HS31130	GEAR Z45R CLUTCH	1	1	1
⊙ 11	*302HS31140	2HS31140	GEAR Z35R IDLE	1	1	1
⊙ 12	*302HS31190	2HS31190	GEAR Z17R FREE	1	1	1
⊙ 13	*302HS31200	2HS31200	GEAR Z26L FREE	1	1	1
⊙ 14	*302HS31260	2HS31260	GEAR Z32R	1	1	1
⊙ 15	*302HS31270	2HS31270	GEAR Z34L-Z24L	1	1	1
16	*302HS31290	2HS31290	DRIVE HOLDER COVER	1	1	1
17	*302HS31320	2HS31320	SPRING FREE MAG	1	1	1
18	*302HS31330	2HS31330	PIN CLUTCH	1	1	1
19	*302HS31340	2HS31340	SHAFT CASSETTE	1	1	1
20	*302HS31360	2HS31360	PIN HOLDER A	3	3	3
21	*302HS31370	2HS31370	PIN HOLDER B	2	2	2
22	*302HS31410	2HS31410	SPRING FREE Z37L	1	1	1
23	*302HS31420	2HS31420	EARTH PLATE DRIVE	1	1	1
24	*302HS31430	2HS31430	POLYSLIDER 9.5	1	1	1
⊙ 25	*5MVX111DN003	2A806250	RING STOPPER /A-49 FEED A4	2	2	2
26	*7BC06062C020H01	BC045240	POLY SLIDER WASHER M6.2X12X0.2T	1	1	1
27	7YZM610007++H01	YZ023340	ACCESS SADDLE	1	1	1
28	302HS02370	2HS02370	SPRING EARTH CASSETTE	1	1	1
29	302HS02520	2HS02520	COVER CABLE E	1	1	1
30	302HS02530	2HS02530	COVER CABLE F	1	1	1
31	302HS06110	2HS06110	SHAFT FEED	1	1	1
32	302HS46040	2HS46040	CONN.CORD ASSY CONTROL-MAIN MOTOR S0	1	1	1
33	302HS02380	2HS02380	PLATE PF CONNECTOR	1	1	1
34	302HS46030	2HS46030	CONN.CORD ASSY CONTROL-PF S03247	1	1	1
35	302HS02540	2HS02540	PIN DRAWER	2	2	2
⊙ 36	302HS31020	2HS31020	PLATE DRIVE	1	1	1
37	302HS31040	2HS31040	PLATE GEAR DRIVE	1	1	1
38	302HS31060	2HS31060	PIN GEAR DRIVE	3	3	3
⊙ 39	302HS31070	2HS31070	GEAR Z42R FREE 2	1	1	1
⊙ 40	302HS31110	2HS31110	GEAR Z58L	1	1	1
⊙ 41	302HS31170	2HS31170	GEAR Z64R-Z21L	1	1	1
⊙ 42	302HS31180	2HS31180	GEAR Z44R	1	1	1
⊙ 43	302HS31210	2HS31210	GEAR Z35S FREE	1	1	1
⊙ 44	302HS31220	2HS31220	GEAR Z42R FREE	1	1	1
⊙ 45	302HS31240	2HS31240	GEAR Z32L DRUM	1	1	1
⊙ 46	302HS31250	2HS31250	GEAR Z54R-Z24R	1	1	1
47	302HS31310	2HS31310	SPRING FREE FUSER	1	1	1
⊙ 48	302HS31390	2HS31390	GEAR Z27R FREE 2	1	1	1
49	302HS31400	2HS31400	SPRING FREE DRUM	1	1	1

Ref. No.	Part.No.	Alternative.	Description	Quantity		
				120	230	240
⊙ 50	302HS44010	2HS44010	MOTOR MAIN	1	1	1
51	302HS46210	2HS46210	CONN.CORD ASSY CONTROL-F/RCLUTCH S03	1	1	1
52	302HS31430	2HS31430	POLYSLIDER 9.5	1	1	1
101	5MBTPB4010PW++R	B1A64100	BIND T.T SCREW(+)/ M4 X 10 CRFREE P-T			
102	BAB53060		+TP TAP-TITE S SCREW M3X06			
103	5MBTPB3006TW++R	B1A53060	BIND T.T SCREW(+)/ M3 X 6 CRFREE S-T			

- Parts with "\*" are component parts or sub-assemblies of the assembly appearing immediately above them.
- Parts with "⊙" indicate regular maintenance parts.

- Parts with "••" are component parts or sub-assembly with "•" appearing immediately above them.

FIG. 9 Drive Section (Duplex model)

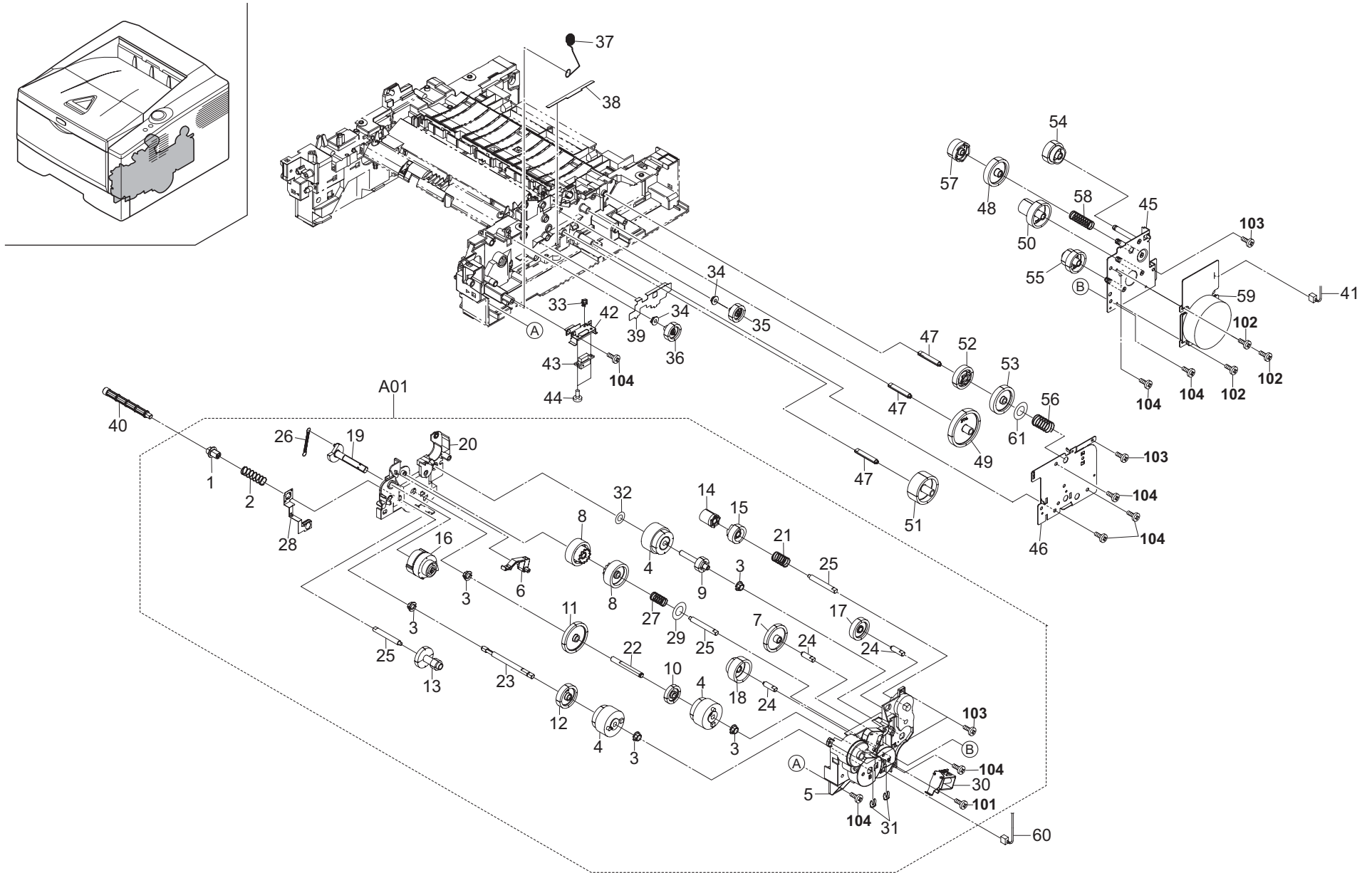




FIG. 9 Drive Section (Duplex model)

2H5/2HS

	Ref. No.	Part.No.	Alternative.	Description	Quantity		
					120	230	240
⊙	A01	302HS93060	2HS93060	DR-130	1	1	1
	1	*302F931350	2F931350	JOINT SHAFT CASSETTE	1	1	1
	2	*302F931450	2F931450	SPRING FEED	1	1	1
	3	*302F931490	2F931490	BUSH FEED DRIVE	5	5	5
⊙	4	*302HN44110	2HN44110	CLUTCH FEED	3	3	3
	5	*302HS31030	2HS31030	DRIVE HOLDER	1	1	1
	6	*302HS31050	2HS31050	LEVER LIFT BOTTOM	1	1	1
⊙	7	*302HS31080	2HS31080	GEAR Z42R	1	1	1
⊙	8	*302HS31090	2HS31090	GEAR Z37L FREE	2	2	2
⊙	9	*302HS31100	2HS31100	GEAR Z20L CLUTCH	1	1	1
⊙	10	*302HS31120	2HS31120	GEAR Z27L CLUTCH	1	1	1
⊙	11	*302HS31130	2HS31130	GEAR Z45R CLUTCH	1	1	1
⊙	12	*302HS31140	2HS31140	GEAR Z35R IDLE	1	1	1
⊙	13	*302HS31150	2HS31150	GEAR Z31L-Z14S	1	1	1
⊙	14	*302HS31190	2HS31190	GEAR Z17R FREE	1	1	1
⊙	15	*302HS31200	2HS31200	GEAR Z26L FREE	1	1	1
⊙	16	*302HS31230	2HS31230	GEAR Z38S MPF	1	1	1
⊙	17	*302HS31260	2HS31260	GEAR Z32R	1	1	1
⊙	18	*302HS31270	2HS31270	GEAR Z34L-Z24L	1	1	1
	19	*302HS31280	2HS31280	LIFT BOTTOM	1	1	1
	20	*302HS31290	2HS31290	DRIVE HOLDER COVER	1	1	1
	21	*302HS31320	2HS31320	SPRING FREE MAG	1	1	1
	22	*302HS31330	2HS31330	PIN CLUTCH	1	1	1
	23	*302HS31340	2HS31340	SHAFT CASSETTE	1	1	1
	24	*302HS31360	2HS31360	PIN HOLDER A	3	3	3
	25	*302HS31370	2HS31370	PIN HOLDER B	3	3	3
	26	*302HS31380	2HS31380	SPRING LIFT BOTTOM	1	1	1
	27	*302HS31410	2HS31410	SPRING FREE Z37L	1	1	1
	28	*302HS31420	2HS31420	EARTH PLATE DRIVE	1	1	1
	29	*302HS31430	2HS31430	POLYSLIDER 9.5	1	1	1
⊙	30	*302HS44020	2HS44020	SOLENOID MPF	1	1	1
⊙	31	*5MVX111DN003	2A806250	RING STOPPER /A-49 FEED A4	2	2	2
	32	*7BC06062C020H01	BC045240	POLY SLIDER WASHER M6.2X12X0.2T	1	1	1
	33	7YZM610007++H01	YZ023340	ACCESS.SADDLE	1	1	1
	34	302F929140	2F929140	BUSH DU	2	2	2
⊙	35	302HS24220	2HS24220	GEAR Z25R DU FEED	1	1	1
⊙	36	302HS24230	2HS24230	GEAR Z26L DU MID	1	1	1
	37	302HS02370	2HS02370	SPRING EARTH CASSETTE	1	1	1
	38	302HS02520	2HS02520	COVER CABLE E	1	1	1
	39	302HS02530	2HS02530	COVER CABLE F	1	1	1
	40	302HS06110	2HS06110	SHAFT FEED	1	1	1
	41	302HS46040	2HS46040	CONN.CORD ASSY CONTROL-MAIN MOTOR S0	1	1	1
	42	302HS02380	2HS02380	PLATE PF CONNECTOR	1	1	1
	43	302HS46030	2HS46030	CONN.CORD ASSY CONTROL-PF S03247	1	1	1
	44	302HS02540	2HS02540	PIN DRAWER	2	2	2
⊙	45	302HS31020	2HS31020	PLATE DRIVE	1	1	1
	46	302HS31040	2HS31040	PLATE GEAR DRIVE	1	1	1
	47	302HS31060	2HS31060	PIN GEAR DRIVE	3	3	3
⊙	48	302HS31070	2HS31070	GEAR Z42R FREE 2	1	1	1
⊙	49	302HS31110	2HS31110	GEAR Z58L	1	1	1

	Ref. No.	Part.No.	Alternative.	Description	Quantity		
					120	230	240
⊙	50	302HS31170	2HS31170	GEAR Z64R-Z21L	1	1	1
⊙	51	302HS31180	2HS31180	GEAR Z44R	1	1	1
⊙	52	302HS31210	2HS31210	GEAR Z35S FREE	1	1	1
⊙	53	302HS31220	2HS31220	GEAR Z42R FREE	1	1	1
⊙	54	302HS31240	2HS31240	GEAR Z32L DRUM	1	1	1
⊙	55	302HS31250	2HS31250	GEAR Z54R-Z24R	1	1	1
	56	302HS31310	2HS31310	SPRING FREE FUSER	1	1	1
⊙	57	302HS31390	2HS31390	GEAR Z27R FREE 2	1	1	1
	58	302HS31400	2HS31400	SPRING FREE DRUM	1	1	1
⊙	59	302HS44010	2HS44010	MOTOR MAIN	1	1	1
	60	302HS46210	2HS46210	CONN.CORD ASSY CONTROL-F/RCLUTCH S03	1	1	1
	61	302HS31430	2HS31430	POLYSLIDER 9.5	1	1	1
	101	5MBTPB3008PW++R	B1A63080	BIND T.T SCREW(+)/ M3 X 8 CRFREE P-T			
	102	BAB53060		+TP TAP-TITE S SCREW M3X06			
	103	5MBTPB3006TW++R	B1A53060	BIND T.T SCREW(+)/ M3 X 6 CRFREE S-T			
	104	5MBTPB4010PW++R	B1A64100	BIND T.T SCREW(+)/ M4 X 10 CRFREE P-T			

- Parts with "\*" are component parts or sub-assemblies of the assembly appearing immediately above them.
- Parts with "⊙" indicate regular maintenance parts.

- Parts with "••" are component parts or sub-assembly with "•" appearing immediately above them.

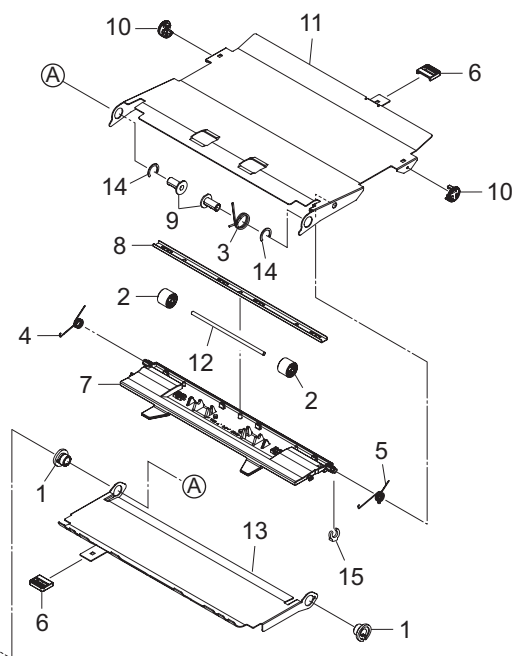
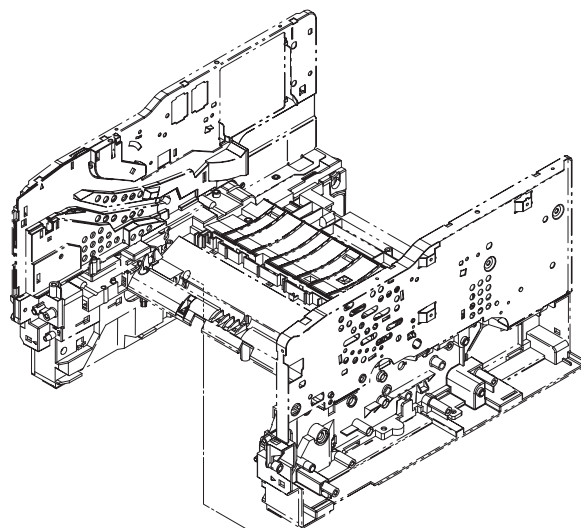
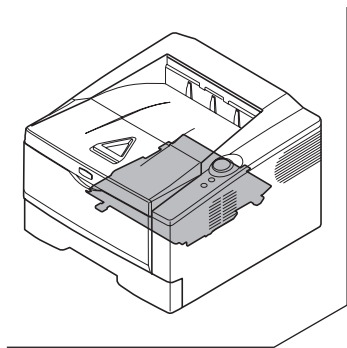


FIG. 10 Duplex Section (Duplex model)

2H5/2HS

Ref. No.	Part.No.	Alternative.	Description	Quantity			
				120	230	240	
⊙	1	2FM02140	5MVM786XB001	BUSH DU /B-11 FRAME A3	2	2	2
	2	2FM02210	5MVM274DN002	PULLEY MID /B-11 FRAME A4	2	2	2
	3	2FM02500	5MMW176SD002	SPRING DU R /B-11 FRAME A4	1	1	1
	4	2FM02510	5MMW166SD002	SPRING HOLDER L /B-11 FRAME A4	1	1	1
	5	2FM02520	5MMW166SD003	SPRING HOLDER R /B-11 FRAME A4	1	1	1
	6	2FM02690	5MVX221DG002	LEVER DU /B-11 DU A3	2	2	2
	7	2FM21010	5MVX861XB001	HOLDER DU /B-11 DU A1	1	1	1
	8	2FM21020	5MML821SD009	STAY DU /B-11 DU A3	1	1	1
	9	2FM21030	5MVM276DN017	STOPPER BUSH /B-11 DU A4	2	2	2
	10	2FM21050	5MVX173DN001	COLLER DU /B-11 DU A3	2	2	2
	11	302HS29020	2HS29020	PLATE COVER DU B	1	1	1
	12	302FM02421	2FM02421	SHAFT PULLEY /B-11 FRAME A4	1	1	1
	13	302HS29010	2HS29010	PLATE COVER DU	1	1	1
	⊙	14	5MBCK9560XSC	D4103700	C STOP RING /X9.5 X 0.6T S-CR	2	2
15		5MVX111DN003	2A806250	RING STOPPER /A-49 FEED A4	1	1	1

- Parts with "•" are component parts or sub-assemblies of the assembly appearing immediately above them.
- Parts with "⊙" indicate regular maintenance parts.

- Parts with "••" are component parts or sub-assembly with "•" appearing immediately above them.

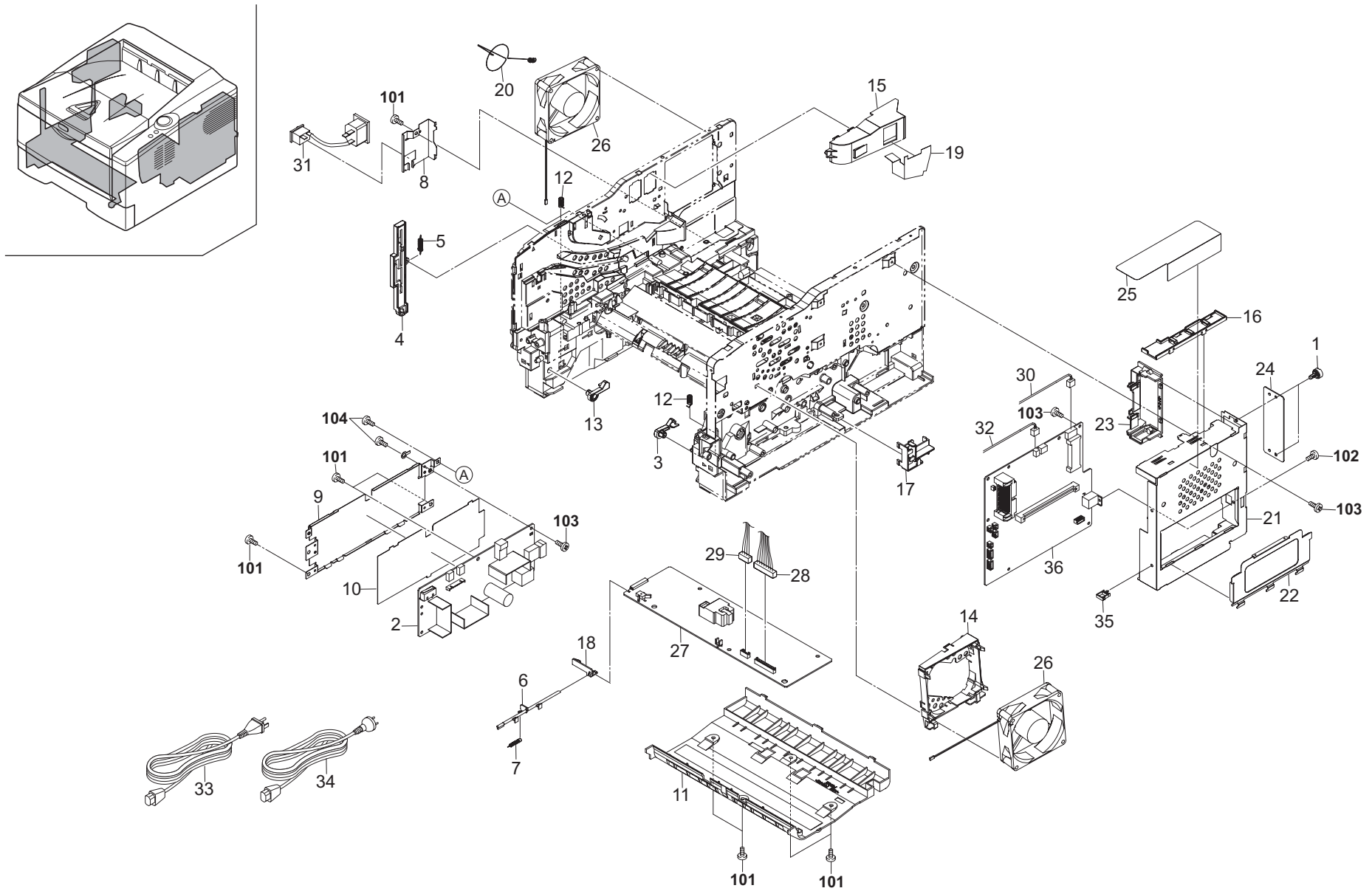


FIG. 11 Electrical Components

2H5/2HS

Ref. No.	Part.No.	Alternative.	Description	Quantity		
				120	230	240
1	302F939081	2F939081	SCREW BOX	2	2	2
2	302HS45020	2HS45020	SWITCHING REGULATOR 120V	1		
2	302HS45010	2HS45010	SWITCHING REGULATOR 230V		1	1
3	302HS02070	2HS02070	LEVER LOCK CASSETTE	1	1	1
4	302HS02110	2HS02110	LEVER INTERLOCK SW	1	1	1
5	302HS02120	2HS02120	SPRING INTERLOCK SW	1	1	1
6	302HS02180	2HS02180	PIN CASSETTE	1	1	1
7	302HS02190	2HS02190	SPRING PIN CASSETTE	1	1	1
8	302HS02200	2HS02200	PLATE MAIN SW	1	1	1
9	302HS02210	2HS02210	PLATE POWER SUPPLY	1	1	1
10	302HS02240	2HS02240	FILM POWER SUPPLY	1	1	1
11	302HS02280	2HS02280	COVER BASE LOW	1	1	1
12	302HS02360	2HS02360	SPRING LOCK CASSETTE	2	2	2
13	302HS02390	2HS02390	LEVER LOCK CASSETTE L	1	1	1
14	302HS02420	2HS02420	BKT FAN R	1	1	1
15	302HS02450	2HS02450	BKT FAN L	1	1	1
16	302HS02490	2HS02490	COVER CABLE C	1	1	1
17	302HS02510	2HS02510	COVER CABLE D	1	1	1
18	302HS02560	2HS02560	HOLDER PIN CASSETTE	1	1	1
19	302HS02610	2HS02610	SHEET DUCT BKT FAN	1	1	1
20	302HS02620	2HS02620	SPRING EARTH FAN	1	1	1
21	302HS39010	2HS39010	BOX CONTROLLER	1	1	1
22	302HS39020	2HS39020	COVER BOX	1	1	1
23	302HS39030	2HS39030	GUIDE OPTION SLOT	1	1	1
24	302HS39040	2HS39040	PLATE OPTION	1	1	1
25	302HS39050	2HS39050	FILM COVER CABLE	1	1	1
26	302HS44050	2HS44050	MOTOR FAN 80	2	2	2
27	302HS45030	2HS45030	HIGH VOLTAGE UNIT	1	1	1
28	302HS46060	2HS46060	CONN.CORD ASSY CONTROL-H.V.UNIT S03240	1	1	1
29	302HS46070	2HS46070	CONN.CORD ASSY CONTROL-H.V.UNIT S03303	1	1	1
30	302HS46090	2HS46090	CONN.CORD ASSY CONTROL-RELAY S03243	1	1	1
31	302HS46120	2HS46120	CONN.CORD ASSY PWS-INLET S03238	1	1	1
32	302HS46130	2HS46130	CONN.CORD ASSY CONTROL-ERASER S03252	1	1	1
33	2DC27410		AC CORD 120 ASSY	1		
34	302FV45020	2FV45020	AC CORD ASSY		1	1
35	7YZM610008++H01	YZ037940	ACCESS.SADDLE	1	1	1
36	302HS94090	2HS94090	P.W.BOARD ASSY CONTROL WITH SOFTWARE(SP) (Duplex model)	1	1	1
36	302H594010	2H594010	P.W.BOARD ASSY CONTROL WITH SOFTWARE(SP) (Simplex model)	1	1	1

Ref. No.	Part.No.	Alternative.	Description	Quantity		
				120	230	240
101	5MBTPB4010PW++R	B1A64100	BIND T.T SCREW(+)/ M4 X 10 CRFREE P-T			
102	5MBSPB3006NW++R	B1B03060	BIND HEAD SCREW(+)/ M3 X 6 CRFREE			
103	5MBTPB3006TW++R	B1A53060	BIND T.T SCREW(+)/ M3 X 6 CRFREE S-T			
104	5MBTPB4006TW++R	B1A54060	BIND T.T SCREW(+)/ M4 X 6 CRFREE S-T			

- Parts with "\*" are component parts or sub-assemblies of the assembly appearing immediately above them.
- Parts with "⊙" indicate regular maintenance parts.

- Parts with "••" are component parts or sub-assembly with "•" appearing immediately above them.

FIG. 12 Parts Package

2H5/2HS

	Ref. No.	Part.No.	Alternative.	Description	Quantity		
					120	230	240
		302HS80020	2HS80020	PACKING ASSY (Duplex model)	1	1	1
		302H580010	2H580010	PACKING ASSY (Simplex model)	1	1	1

- Parts with "\*" are component parts or sub-assemblies of the assembly appearing immediately above them.
- Parts with "⊙" indicate regular maintenance parts.

- Parts with "••" are component parts or sub-assembly with "\*" appearing immediately above them.

INDEX

2H5/2HS

	Part.No.	Alternative.	Description	Fig.No.
	2BC06980		STOPPER 5	4
⊙	2BL06380		GEAR Z25 JOINT	5
⊙	2BY20070	5MVX221XN004	BUSH PRESS /49523A0152 A4	8
	2DC27410		AC CORD 120 ASSY	11
	2FM02140	5MVM786XB001	BUSH DU /B-11 FRAME A3	10
	2FM02180	5MVX221DN020	BUSH REGIST C /B-11 FRAME A3	4
⊙	2FM02210	5MVM274DN002	PULLEY MID /B-11 FRAME A4	10
⊙	2FM02350	5MVG133DN022	GEAR Z22 /B-11 FRAME A4	5
	2FM02500	5MMW176SD002	SPRING DU R /B-11 FRAME A4	10
	2FM02510	5MMW166SD002	SPRING HOLDER L /B-11 FRAME A4	10
	2FM02520	5MMW166SD003	SPRING HOLDER R /B-11 FRAME A4	10
	2FM02690	5MVX221DG002	LEVER DU /B-11 DU A3	10
	2FM06010	5MVX765SH004	GUIDE SIDE L /B-11 CASSETTE A2	3
	2FM06020	5MVX765SH005	GUIDE SIDE R /B-11 CASSETTE A2	3
	2FM20050	5MVX651DN001	LEVER SOLENOID /B-11 FD A3	5
	2FM21010	5MVX861XB001	HOLDER DU /B-11 DU A1	10
	2FM21020	5MML821SD009	STAY DU /B-11 DU A3	10
	2FM21030	5MVM276DN017	STOPPER BUSH /B-11 DU A4	10
	2FM21050	5MVX173DN001	COLLER DU /B-11 DU A3	10
⊙	2FM68250		GEAR CLUTCH ASSY A	5
⊙	2FM68260		GEAR CLUTCH ASSY B	5
⊙	302A816031	2A816031	BUSH TC R /A-49 FEED A4	4
	302F325010	2F325010	STUD SCREW M3	5
	302F902420	2F902420	LOCK COVER TOP R	2
	302F904120	2F904120	EMBLEM KYOCERA	1
	302F904130	2F904130	TAPE EMBLEM	1
	302F906170	2F906170	JOINT PICKUP A	4
	302F906180	2F906180	JOINT PICKUP B	4
	302F906230	2F906230	PULLEY FEED ASSY	4
	302F906240	2F906240	PULLEY PICKUP ASSY	4
	302F906270	2F906270	SHAFT FEED L	4
	302F906280	2F906280	GEAR FEED Z30H	4
	302F908200	2F908200	LOCK COVER	2,5
	302F908270	2F908270	SP BOTTOM MPF L	2
	302F908310	2F908310	PAD FRICTION MPF	2
	302F909031	2F909031	LEVER BASE CAS REAR	3
	302F909040	2F909040	SPRING BASE CAS REAR	3
	302F909210	2F909210	PAD BOTTOM	3
⊙	302F925080	2F925080	GEAR IDLE A Z29	8
⊙	302F925140	2F925140	GEAR EXIT Z21	8
	302F925340	2F925340	SPRING EXIT	8
	302F925780	2F925780	SPRING DU	2,5
	302F925901	2F925901	CAP SPRING EXIT	8
	302F929140	2F929140	BUSH DU	5,9
	302F931350	2F931350	JOINT SHAFT CASSETTE	9
	302F931450	2F931450	SPRING FEED	9
	302F931490	2F931490	BUSH FEED DRIVE	9
	302F939081	2F939081	SCREW BOX	11
	302FM02421	2FM02421	SHAFT PULLEY /B-11 FRAME A4	10
	302FV02490	2FV02490	SPRING TC R	4

	Part.No.	Alternative.	Description	Fig.No.
	302FV45020	2FV45020	AC CORD ASSY	11
	302G622010	2G622010	SPRING TC L	4
⊙	302G680110	2G680110	SOLENOID ASSY	5
	302GJ09110	2GJ09110	GUIDE RETARD	3
	302GJ09120	2GJ09120	HOLDER RETARD	3
⊙	302GR25290	2GR25290	THERMOSTAT M FUSER	8
⊙	302H500010	2H500010	COVER RIGHT ASSY	1
	302H504010	2H504010	COVER RIGHT	1
	302H508010	2H508010	BASE BYPASS	2
	302H508020	2H508020	GUIDE BYPASS L	2
	302H508030	2H508030	GUIDE BYPASS R	2
⊙	302H508040	2H508040	COVER BYPASS UP	2
⊙	302H508050	2H508050	COVER BYPASS LOW	2
	302H580010	2H580010	PACKING ASSY	12
⊙	302H593010	2H593010	DV-140(E)	7
⊙	302H593020	2H593020	DV-142(U)	7
⊙	302H593030	2H593030	DV-144(AO)	7
⊙	302H593040	2H593040	DR-140	9
⊙	302H594010	2H594010	P.W.BOARD ASSY CONTROL WITH SOFTWARE(SP)	11
	302HN09190	2HN09190	SPRING FIX	3
	302HN09240	2HN09240	SIZE FIX	3
	302HN25450	2HN25450	BUSH EXIT	8
	302HN29050	2HN29050	BUSH DU	5
⊙	302HN44110	2HN44110	CLUTCH FEED	9
⊙	302HS00010	2HS00010	TRAY MPF ASSY	2
⊙	302HS00030	2HS00030	COVER RIGHT ASSY	1
⊙	302HS01030	2HS01030	P.W.B BOARD ASSY PANEL	1
⊙	302HS01050	2HS01050	P.W.BOARD ASSY /ERASER	2
⊙	302HS01060	2HS01060	P.W.BOARD ASSY /EMPTY SENSOR	4
	302HS01130	2HS01130	P.W.B RFID WITH SOFTWARE	4
⊙	302HS02070	2HS02070	LEVER LOCK CASSETTE	11
⊙	302HS02090	2HS02090	LEVER STOPPER DLP	2
	302HS02100	2HS02100	SPRING STOPPER DLP	2
⊙	302HS02110	2HS02110	LEVER INTERLOCK SW	11
	302HS02120	2HS02120	SPRING INTERLOCK SW	11
	302HS02130	2HS02130	HOLDER MC	2
	302HS02140	2HS02140	PLATE CONTACT MC	2
	302HS02160	2HS02160	SPRING MC	2
⊙	302HS02180	2HS02180	PIN CASSETTE	11
	302HS02190	2HS02190	SPRING PIN CASSETTE	11
	302HS02200	2HS02200	PLATE MAIN SW	11
⊙	302HS02210	2HS02210	PLATE POWER SUPPLY	11
	302HS02240	2HS02240	FILM POWER SUPPLY	11
	302HS02250	2HS02250	SPRING EARTH REG UP	4
	302HS02260	2HS02260	SPRING EARTH REG LOW	4
	302HS02280	2HS02280	COVER BASE LOW	11
	302HS02290	2HS02290	PLATE EARTH DRUM	2
	302HS02310	2HS02310	SPRING EARTH DU FEED	2
	302HS02330	2HS02330	SPRING EARTH DU PLATE	2
	302HS02340	2HS02340	SPRING EARTH RIGHT	4

• Parts with "⊙" indicate regular maintenance parts.

	Part.No.	Alternative.	Description	Fig.No.		Part.No.	Alternative.	Description	Fig.No.
	302HS02350	2HS02350	COVER CABLE B	2		302HS08100	2HS08100	BRACKET BOTTOM	2
	302HS02360	2HS02360	SPRING LOCK CASSETTE	11	⊙	302HS08110	2HS08110	ACTUATOR MPF	4
	302HS02370	2HS02370	SPRING EARTH CASSETTE	9		302HS08140	2HS08140	BASE IC PWB	4
	302HS02380	2HS02380	PLATE PF CONNECTOR	9	⊙	302HS08160	2HS08160	GEAR Z20S MPF	4
⊙	302HS02390	2HS02390	LEVER LOCK CASSETTE L	11		302HS08170	2HS08170	SPRING SEPARATOR	2
	302HS02410	2HS02410	SPRING EARTH DU MID	4		302HS08180	2HS08180	PLATE BOTTOM MPF	2
	302HS02420	2HS02420	BKT FAN R	11		302HS08190	2HS08190	SPRING ACTUATOR	4
	302HS02440	2HS02440	SPRING EARTH DLP PLATE	4		302HS08210	2HS08210	SPRING EARTH MPF	2
	302HS02450	2HS02450	BKT FAN L	11		302HS08220	2HS08220	TRAY MPF TOP	2
	302HS02460	2HS02460	PIN CONTACT BIAS	2		302HS08230	2HS08230	PLATE EARTH BOTTOM	2
	302HS02470	2HS02470	SPRING PIN BIAS	2		302HS08240	2HS08240	GUIDE MPF R	2
	302HS02490	2HS02490	COVER CABLE C	11		302HS08250	2HS08250	GUIDE MPF L	2
	302HS02500	2HS02500	HOLDER ERASER	2	⊙	302HS08260	2HS08260	ROLLER M/P ASSY	4
	302HS02510	2HS02510	COVER CABLE D	11		302HS08270	2HS08270	SPRING BRACKET	2
	302HS02520	2HS02520	COVER CABLE E	9		302HS08290	2HS08290	FILM SENSOR	4
	302HS02530	2HS02530	COVER CABLE F	9		302HS08300	2HS08300	HOLDER FEED M/P	4
	302HS02540	2HS02540	PIN DRAWER	9	⊙	302HS08310	2HS08310	FILM TE SENSOR	4
	302HS02560	2HS02560	HOLDER PIN CASSETTE	11		302HS09010	2HS09010	BASE CASSETTE	3
	302HS02580	2HS02580	SHEET DUCT LSU	2	⊙	302HS09020	2HS09020	COVER CASSETTE KM	3
	302HS02590	2HS02590	SHEET DUCT FD	2		302HS09040	2HS09040	BASE CASSETTE REAR	3
	302HS02610	2HS02610	SHEET DUCT BKT FAN	11		302HS09070	2HS09070	PAPER INDICATOR	3
	302HS02620	2HS02620	SPRING EARTH FAN	11		302HS09080	2HS09080	CURSOR END	3
	302HS02630	2HS02630	TAPE ERASER	2		302HS09100	2HS09100	LOCK BOTTOM	3
	302HS02650	2HS02650	HOOK PF	2		302HS09110	2HS09110	PLATE BOTTOM	3
⊙	302HS04030	2HS04030	COVER LEFT	1		302HS09120	2HS09120	SPRING BOTTOM L	3
	302HS04040	2HS04040	COVER RIGHT	1		302HS09130	2HS09130	SPRING BOTTOM R	3
⊙	302HS04050	2HS04050	COVER TOP B	1		302HS09140	2HS09140	SPRING LOCK BOTTOM	3
	302HS04060	2HS04060	COVER DIMM	1		302HS09160	2HS09160	GEAR CASSETTE	3
⊙	302HS04070	2HS04070	COVER RACK	1		302HS09170	2HS09170	CAP BOTTOM	3
	302HS04080	2HS04080	COVER PANEL	1		302HS09180	2HS09180	SPRING RETARD	3
	302HS04100	2HS04100	BUTTON ENTER	1		302HS24010	2HS24010	GUIDE PAPER CHUTE	4
	302HS04110	2HS04110	BUTTON CANCEL	1		302HS24020	2HS24020	GUIDE EARTH	4
⊙	302HS04130	2HS04130	COVER FRONT	1	⊙	302HS24040	2HS24040	ROLLER REGIST UP	4
⊙	302HS04160	2HS04160	COVER RACK B	1		302HS24050	2HS24050	ROLLER REGIST LOW	4
	302HS06010	2HS06010	FRAME FEED	4		302HS24060	2HS24060	ACTUATOR REGIST	2
	302HS06020	2HS06020	HOLDER FEED	4		302HS24070	2HS24070	SPRING ACTUATOR REG	2
	302HS06040	2HS06040	GUIDE FEED R	4		302HS24080	2HS24080	PLATE EARTH HV	2
	302HS06050	2HS06050	PULLEY FEED	4		302HS24110	2HS24110	PLATE ERATH PAPER CHUTE	2
⊙	302HS06060	2HS06060	ACTUATOR EMPTY A	4		302HS24120	2HS24120	BUSH REGIST	4
⊙	302HS06070	2HS06070	ACTUATOR EMPTY B	4		302HS24130	2HS24130	BUSH 4 DU ROLL	2
⊙	302HS06090	2HS06090	GEAR Z22S FEED	4		302HS24140	2HS24140	BUSH 6 EW	4
	302HS06110	2HS06110	SHAFT FEED	9	⊙	302HS24160	2HS24160	ROLLER DU	2
	302HS06120	2HS06120	SPRING ACTUATOR	4	⊙	302HS24170	2HS24170	ROLLER TRANSFER E	4
	302HS06130	2HS06130	SPRING PULLEY	4		302HS24180	2HS24180	SHEET REGIST	4
	302HS08010	2HS08010	FRAME MPF	4	⊙	302HS24190	2HS24190	GEAR Z14R REG UP	4
	302HS08020	2HS08020	COVER MPF KM	2	⊙	302HS24200	2HS24200	GEAR Z21L-Z23L REG LOW	4
	302HS08040	2HS08040	GUIDE TURN MPF	2	⊙	302HS24210	2HS24210	GEAR Z16L TC	4
	302HS08050	2HS08050	BASE MPF	2	⊙	302HS24220	2HS24220	GEAR Z25R DU FEED	9
	302HS08060	2HS08060	TRAY MPF MID	2	⊙	302HS24230	2HS24230	GEAR Z26L DU MID	9
	302HS08080	2HS08080	SHAFT FEED MPF	4	⊙	302HS24240	2HS24240	SPRING REGIST R	4

• Parts with "⊙" indicate regular maintenance parts.



	Part.No.	Alternative.	Description	Fig.No.		Part.No.	Alternative.	Description	Fig.No.
⊙	302HS24250	2HS24250	BUSH TC R	4		302HS29010	2HS29010	PLATE COVER DU	10
	302HS24260	2HS24260	LEVER RELEASE TC L	4		302HS29020	2HS29020	PLATE COVER DU B	10
	302HS24280	2HS24280	SPRING RELEASE TC L	4	⊙	302HS31020	2HS31020	PLATE DRIVE	9
	302HS24300	2HS24300	SPRING CONTACT TC	2		302HS31030	2HS31030	DRIVE HOLDER	9
	302HS24310	2HS24310	SPRING EARTH BRUSH	4		302HS31040	2HS31040	PLATE GEAR DRIVE	9
⊙	302HS24340	2HS24340	ROLLER TRANSFER U	4		302HS31050	2HS31050	LEVER LIFT BOTTOM	9
⊙	302HS24350	2HS24350	SPRING REGIST L	4		302HS31060	2HS31060	PIN GEAR DRIVE	9
	302HS24360	2HS24360	SPRING REGIST C	4	⊙	302HS31070	2HS31070	GEAR Z42R FREE 2	9
	302HS25010	2HS25010	FRAME FUSER LOW	8	⊙	302HS31080	2HS31080	GEAR Z42R	9
	302HS25020	2HS25020	FRAME FUSER UP	8	⊙	302HS31090	2HS31090	GEAR Z37L FREE	9
	302HS25030	2HS25030	GUIDE EXIT LOW	8	⊙	302HS31100	2HS31100	GEAR Z20L CLUTCH	9
	302HS25040	2HS25040	SPRING PRESSURE	8	⊙	302HS31110	2HS31110	GEAR Z58L	9
⊙	302HS25050	2HS25050	PULLEY EXIT FUSER	8	⊙	302HS31120	2HS31120	GEAR Z27L CLUTCH	9
⊙	302HS25060	2HS25060	ROLLER EXIT	8	⊙	302HS31130	2HS31130	GEAR Z45R CLUTCH	9
⊙	302HS25070	2HS25070	GEAR Z18S IDLE	8	⊙	302HS31140	2HS31140	GEAR Z35R IDLE	9
	302HS25080	2HS25080	PLATE CODE	8	⊙	302HS31150	2HS31150	GEAR Z31L-Z14S	9
	302HS25100	2HS25100	HOLDER SPRING PRESS	8	⊙	302HS31170	2HS31170	GEAR Z64R-Z21L	9
	302HS25110	2HS25110	ACTUATOR FUSER	8	⊙	302HS31180	2HS31180	GEAR Z44R	9
	302HS25120	2HS25120	SPRING ACTUATOR	8	⊙	302HS31190	2HS31190	GEAR Z17R FREE	9
	302HS25130	2HS25130	SPRING EXIT L	8	⊙	302HS31200	2HS31200	GEAR Z26L FREE	9
	302HS25140	2HS25140	PLATE EARTH EXIT	8	⊙	302HS31210	2HS31210	GEAR Z35S FREE	9
	302HS25150	2HS25150	SHAFT EXIT	8	⊙	302HS31220	2HS31220	GEAR Z42R FREE	9
	302HS25160	2HS25160	PLATE EARTH L	8	⊙	302HS31230	2HS31230	GEAR Z38S MPF	9
	302HS25170	2HS25170	PLATE EARTH ROLLER	8	⊙	302HS31240	2HS31240	GEAR Z32L DRUM	9
⊙	302HS25190	2HS25190	THERMISTOR FUSER	8	⊙	302HS31250	2HS31250	GEAR Z54R-Z24R	9
	302HS25200	2HS25200	LEVER FUSER R	8	⊙	302HS31260	2HS31260	GEAR Z32R	9
	302HS25210	2HS25210	LEVER FUSER L	8	⊙	302HS31270	2HS31270	GEAR Z34L-Z24L	9
	302HS25220	2HS25220	BUSH FUSER	8		302HS31280	2HS31280	LIFT BOTTOM	9
⊙	302HS25230	2HS25230	ROLLER HEAT	8		302HS31290	2HS31290	DRIVE HOLDER COVER	9
⊙	302HS25240	2HS25240	HEATER LAMP E	8		302HS31310	2HS31310	SPRING FREE FUSER	9
⊙	302HS25260	2HS25260	GEAR Z36S HEAT	8		302HS31320	2HS31320	SPRING FREE MAG	9
⊙	302HS25280	2HS25280	BUSH HEAT R	8		302HS31330	2HS31330	PIN CLUTCH	9
⊙	302HS25300	2HS25300	HEATER LAMP U	8		302HS31340	2HS31340	SHAFT CASSETTE	9
⊙	302HS25360	2HS25360	ROLLER PRESS	8		302HS31360	2HS31360	PIN HOLDER A	9
	302HS25400	2HS25400	SHEET FUSER	8		302HS31370	2HS31370	PIN HOLDER B	9
	302HS25410	2HS25410	TUBE PLATE CODE	8	⊙	302HS31380	2HS31380	SPRING LIFT BOTTOM	9
	302HS28010	2HS28010	FRAME FD	5		302HS31390	2HS31390	GEAR Z27R FREE 2	9
	302HS28020	2HS28020	COVER FRAME FD	5		302HS31400	2HS31400	SPRING FREE DRUM	9
⊙	302HS28030	2HS28030	ROLLER FD UP	5		302HS31410	2HS31410	SPRING FREE Z37L	9
	302HS28040	2HS28040	COVER FD	5		302HS31420	2HS31420	EARTH PLATE DRIVE	9
⊙	302HS28050	2HS28050	COVER REAR	5		302HS31430	2HS31430	POLYSLIDER 9.5	9
⊙	302HS28060	2HS28060	GEAR Z21S	5		302HS34010	2HS34010	LABEL FUSER CAUTION	5
	302HS28070	2HS28070	PULLEY EXIT	5		302HS34020	2HS34020	LABEL FUSER JAM	5
	302HS28080	2HS28080	ACTUATOR PAPER	5		302HS34030	2HS34030	LABEL OPERATION	3
	302HS28110	2HS28110	SPRING EARTH	5	⊙	302HS34080	2HS34080	LABEL JAM TK OPERATION	1
	302HS28120	2HS28120	SPRING EXIT	5		302HS34120	2HS34120	LABEL FUSER OPERATION	8
⊙	302HS28130	2HS28130	DISCHARGER FD	5		302HS39010	2HS39010	BOX CONTROLLER	11
	302HS28140	2HS28140	SPRING PULLEY	5		302HS39020	2HS39020	COVER BOX	11
	302HS28150	2HS28150	GUIDE FD SIDE	5		302HS39030	2HS39030	GUIDE OPTION SLOT	11
	302HS28160	2HS28160	GUIDE FD CENTER	5		302HS39040	2HS39040	PLATE OPTION	11

• Parts with "⊙" indicate regular maintenance parts.

	Part.No.	Alternative.	Description	Fig.No.		Part.No.	Alternative.	Description	Fig.No.
	302HS39050	2HS39050	FILM COVER CABLE	11		5MMW261LD055	2A820350	SPRING SEPARATOR /FS-1000 A4	8
⊙	302HS44010	2HS44010	MOTOR MAIN	9		5MMW261LD067	2FV02270	SPRING LEVER LOCK L	4
⊙	302HS44020	2HS44020	SOLENOID MPF	9		5MMW261LD068	2FV02280	SPRING LEVER LOCK R	4
⊙	302HS44050	2HS44050	MOTOR FAN 80	11		5MVG137DN032	2A806720	GEAR MPF /A-49 MPF A4	2
⊙	302HS45010	2HS45010	SWITCHING REGULATOR 230V	11	⊙	5MVG138DN048	2BD02270	GEAR FD Z29 /43397B0051 A4	5
⊙	302HS45020	2HS45020	SWITCHING REGULATOR 120V	11		5MVM176DN016	2BR20170	BUSH A /45309P0135 A4	4
⊙	302HS45030	2HS45030	HIGH VOLTAGE UNIT	11		5MVM273DB005	2A820100	PULLEY EXIT /A-49 FUSER A3	4,5
	302HS46030	2HS46030	CONN.CORD ASSY CONTROL-PF S03247	9		5MVS217SN002	2A806280	PAD SOLENOID /FS-1000 A4	5
	302HS46040	2HS46040	CONN.CORD ASSY CONTROL-MAIN MOTOR S03245	9	⊙	5MVX111DN003	2A806250	RING STOPPER /A-49 FEED A4	4,9,10
	302HS46050	2HS46050	CONN.CORD ASSY CONTROL-RFID S03244	4		5MVX111DN007	2BT11070	STOPPER 3 /2BT1107 A4	5
	302HS46060	2HS46060	CONN.CORD ASSY CONTROL-H.V.UNIT S03240	11	⊙	5MVX221RB014	2BS03110	FOOT /43307C0007 A4	2
	302HS46070	2HS46070	CONN.CORD ASSY CONTROL-H.V.UNIT S03303	11	⊙	5MVX431DN005	2FV02100	LEVER LOCK DLP	4
	302HS46090	2HS46090	CONN.CORD ASSY CONTROL-RELAY S03243	11	⊙	5MVX441XN001	2BR20180	BUSH HEAT L /43307P0003 A4	8
	302HS46100	2HS46100	CONN.CORD ASSY PWS-HEATER(E) S03305	8		5MVX541DG002	2A807191	LEVER REAR /A-49 CASSETTE A3	3
	302HS46110	2HS46110	CONN.CORD ASSY PWS-HEATER(U) S03306	8		5MVX541DG003	2A807161	LEVER SIDE /A-49 CASSETTE A3	3
	302HS46120	2HS46120	CONN.CORD ASSY PWS-INLET S03238	11		7BC06062C020H01	BC045240	POLY SLIDER WASHER M6.2X12X0.2T	9
	302HS46130	2HS46130	CONN.CORD ASSY CONTROL-ERASER S03252	11		7NXSG2481+++H01	NX052600	SENSOR OPT.	4,8
	302HS46140	2HS46140	CONN.CORD ASSY CONTROL-EXITSENSOR S03248	8		7RHA2H10701+H01	RH043740	M.GLAZE R. 100MJ 1/2W	2
	302HS46150	2HS46150	CONN.CORD ASSY CONTROL-MPFSENSOR S03251	4		7YZM610007++H01	YZ023340	ACCESS.SADDLE	9
	302HS46160	2HS46160	CONN.CORD ASSY CONTROL-P.SENSOR S03304	4		7YZM610008++H01	YZ037940	ACCESS.SADDLE	11
	302HS46210	2HS46210	CONN.CORD ASSY CONTROL-F/RCLUTCH S03308	9					
	302HS46230	2HS46230	CONN.CORD ASSY PANEL-RELAY S03353	1					
	302HS80020	2HS80020	PACKING ASSY	12					
⊙	302HS93010	2HS93010	DK-130	6					
⊙	302HS93020	2HS93020	DV-130(E)	7					
⊙	302HS93040	2HS93040	FK-130(E)	8					
⊙	302HS93050	2HS93050	FK-130(U)	8					
⊙	302HS93060	2HS93060	DR-130	9					
⊙	302HS93070	2HS93070	MC-130	6					
⊙	302HS93080	2HS93080	CT-130	3					
⊙	302HS93090	2HS93090	LK-130	2					
⊙	302HS93100	2HS93100	DV-132(U)	7					
⊙	302HS93140	2HS93140	DV-134(AO)	7					
⊙	302HS94000	2HS94000	PLATE BOTTOM ASSY	3					
⊙	302HS94010	2HS94010	COVER TOP ASSY	1					
⊙	302HS94020	2HS94020	LID TOP ASSY	1					
⊙	302HS94030	2HS94030	HOLDER FEED ASSY	4					
⊙	302HS94040	2HS94040	SEPARATOR MPF ASSY	2					
⊙	302HS94050	2HS94050	PLATE BOTTOM MPF ASSY	2					
⊙	302HS94060	2HS94060	HOLDER DC BRUSH ASSY	4					
⊙	302HS94080	2HS94080	REGIST LOW KIT	4					
⊙	302HS94090	2HS94090	P.W.BOARD ASSY CONTROL WITH SOFTWARE(SP)	11					
	302HS94110	2HS94110	ERASER KIT	2					
⊙	5AAVR0LL+052	2BR06520	RETARD ROLL ASSY /43487V0005 A4	3					
⊙	5AAVSEPR015	2A820360	SEPARATOR ASSY /FS-1000 A4	8					
	5MBCK9560XSC	D4103700	C STOP RING /X9.5 X 0.6T S-CR	10					
	5MMP141LD002	2A807510	PLATE SIDE GUIDE /A49 CASSETTE A4	3					
	5MMS111SL002	2BY20050	NUT FUSER A /FS-1800/3800 A4	8					
	5MMW171LD006	2A807530	SPRING STOPPER /A49 CASSETTE A4	3					
	5MMW261LD036	2A814570	SPRING TE SENSOR /A-49 DLP A4	4					

• Parts with "⊙" indicate regular maintenance parts.

## KYOCERA MITA EUROPE B.V.

Hoeksteen 40, 2132 MS Hoofddorp,  
The Netherlands  
Phone: +31.20.654.0000  
Home page: <http://www.kyoceramita-europe.com>  
Email: [info@kyoceramita-europe.com](mailto:info@kyoceramita-europe.com)

KYOCERA MITA NEDERLAND B.V.  
Beechavenue 25, 1119RA Schiphol-Rijk  
The Netherlands  
Phone: +31.20.58.77.200

KYOCERA MITA (UK) LTD  
8 Beacontree Plaza  
Gillette Way Reading Berks RG2 0BS,  
U.K.  
Phone: +44.1189.311.500

KYOCERA MITA ITALIA S.p.A.  
Via G. Verdi, 89 / 91, 20063 Cernusco s/N  
Milano, Italy  
Phone: +39.02.92179.1

S.A. KYOCERA MITA BELGIUM N.V.  
Hermesstraat 8A, 1930 Zaventem,  
Belgium  
Phone: +32.2.720.9270

KYOCERA MITA FRANCE S.A.  
Parc Les Algorithmes Saint Aubin  
91194 GIF-SUR-YVETTE,  
France  
Phone: +33.1.6985.2600

KYOCERA MITA ESPAÑA S.A.  
Edificio Kyocera, Avda de Manacor No. 2,  
28290 Las Matas (Madrid),  
Spain  
Phone: +34.91.631.8392

KYOCERA MITA FINLAND OY  
Kirvesmiehenkatu 4, 00880 Helsinki,  
Finland  
Phone: +358.9.4780.5200

KYOCERA MITA (SCHWEIZ)  
Hohlstrasse 614, 8048 Zürich  
Switzerland  
Phone: +41.1.908.4949

KYOCERA MITA DEUTSCHLAND GMBH  
Otto-Hahn-Str. 12 D-40670 Meerbusch,  
Germany  
Phone: +49.2159.918.0

KYOCERA MITA GMBH AUSTRIA  
Eduard-Kittenberger-Gasse 95,  
1230 Wien,  
Austria  
Phone: +43.1.86338.210

KYOCERA MITA SVENSKA AB  
Esbogatan 16B 164 75 Kista,  
Sweden  
Phone: +46.8.546.55000

KYOCERA MITA NORGE  
Postboks 150 Oppsal, NO 0619 Oslo  
Olaf Helsettsvei 6, NO 0694 Oslo,  
Norway  
Phone: +47.22.62.73.00

KYOCERA MITA DANMARK A/S  
Ejby Industrivej 1, DK-2600 Glostrup,  
Denmark  
Phone: +45.5687.1100

KYOCERA MITA PORTUGAL LDA.  
Rua do Centro Cultural, 41 (Alvalade) 1700-106 Lisbon,  
Portugal  
Phone: +351.21.842.9100

KYOCERA MITA SOUTH AFRICA (PTY) LTD.  
527 Kyalami Boulevard,  
Kyalami Business Park Midrand,  
South Africa  
Phone: +27.(0)11.540.2600

## KYOCERA MITA AMERICA, INC.

Headquarters:  
225 Sand Road,  
Fairfield, New Jersey 07004-0008,  
U.S.A.  
Phone: (973) 808-8444

KYOCERA MITA AUSTRALIA PTY. LTD.  
Level 3, 6-10 Talavera Road, North Ryde,  
N.S.W. 2113 Australia  
Phone: (02) 9888-9999

KYOCERA MITA NEW ZEALAND LTD.  
1-3 Parkhead Place, Albany  
P.O. Box 302 125 NHPC, Auckland,  
New Zealand  
Phone: (09) 415-4517

KYOCERA MITA (THAILAND) CORP., LTD.  
9/209 Ratchada-Prachachem Road,  
Bang Sue, Bangkok 10800, Thailand  
Phone: (02) 586-0320

KYOCERA MITA SINGAPORE PTE LTD.  
121 Genting Lane, 3rd Level,  
Singapore 349572  
Phone: 67418733

KYOCERA MITA HONG KONG LIMITED  
11/F., Mita Centre,  
552-566, Castle Peak Road,  
Tsuen Wan, New Territories,  
Hong Kong  
Phone: 24297422

KYOCERA MITA TAIWAN Corporation.  
7F-1~2, No.41, Lane 221, Gangchi Rd.  
Neihu District, Taipei, Taiwan, 114. R.O.C.  
Phone: (02) 87511560

## KYOCERA MITA Corporation

2-28, 1-chome, Tamatsukuri, Chuo-ku  
Osaka 540-8585, Japan  
Phone: (06) 6764-3555  
<http://www.kyoceramita.com>

## KYOCERA MITA AMERICA, INC.

### **Headquarters:**

225 Sand Road,  
Fairfield, New Jersey 07004-0008  
TEL : (973) 808-8444  
FAX : (973) 882-6000

### **New York Branch:**

1410 Broadway 23rd floor  
New York, NY 10018  
TEL : (917) 286-5400  
FAX : (917) 286-5402

### **Northeastern Region:**

225 Sand Road,  
Fairfield, New Jersey 07004-0008  
TEL : (973) 808-8444  
FAX : (973) 882-4401

### **Midwestern Region:**

201 Hansen Court Suite 119  
Wood Dale, Illinois 60191  
TEL : (630) 238-9982  
FAX : (630) 238-9487

### **Western Region:**

14101 Alton Parkway,  
Irvine, California 92618-7006  
TEL : (949) 457-9000  
FAX : (949) 457-9119

### **Southeastern Region:**

1500 Oakbrook Drive,  
Norcross, Georgia 30093  
TEL : (770) 729-9786  
FAX : (770) 729-9873

### **Southwestern Region:**

2825 West Story Road,  
Irving, Texas 75038-5299  
TEL : (972) 550-8987  
FAX : (972) 252-9786

### **National Operation Center & National Training Center:**

2825 West Story Road,  
Irving, Texas 75038-5299  
TEL : (972) 659-0055  
FAX : (972) 570-5816

### **Latin America Division:**

8240 N.W. 52nd. Terrace Dawson Building,  
Suite 108 Miami, Florida 33166  
TEL : (305) 421-6640  
FAX : (305) 421-6666

## KYOCERA MITA CANADA, LTD.

6120 Kestrel Road, Mississauga,  
Ontario L5T 1S8, Canada  
TEL : (905) 670-4425  
FAX : (905) 670-8116

## KYOCERA MITA MEXICO, S.A. DE C.V.

Av. 16 de Septiembre #407  
Col. Santa Inés,  
Azcapotzalco México,  
D.F. 02130, México  
TEL : (55) 5383-2741  
FAX : (55) 5383-7804

©2007 KYOCERA MITA Corporation

<http://www.kyoceramita.com>

 **KYOCERA** is a trademark of Kyocera Corporation

Printed in U.S.A.