



FS-2020D
FS-3920DN
FS-4020DN

PARTS LIST

Published in October 2008

2J2PL070

842J2120

First Edition

NOTES

1. Indicate parts number and parts description together with the machine model name when placing an order.

e.g.	Parts Number	Parts Name	Machine Model	Quantity
	302J093050	LK-340 (FS-2020D)	FS-2020D	1
	302J193040	LK-350 (FS-3920DN)	FS-3920DN	1
	302J293040	LK-360 (FS-4020DN)	FS-4020DN	1

2. Symbols in the "Parts Number" column.

- Parts with "•" are component parts or sub-assemblies of the assembly appearing immediately above them.

e.g.	Parts Number	Parts Name	Parts Number	Parts Name
	302J094060	BASE MPF ASSY SP	• 302F908070	GUIDE SIDE MPF L
			• 302F908080	GUIDE SIDE MPF R

- Parts with "⊙" indicate regular maintenance parts.

—— CONTENTS ——

FIG. 1	Covers (FS-4020DN/3920DN)	2
FIG. 1	Covers (FS-2020D)	4
FIG. 2	Frames 1	6
FIG. 3	Frames 2	8
FIG. 4	Paper Cassette (FS-4020DN/3920DN)	10
FIG. 4	Paper Cassette (FS-2020D)	12
FIG. 5	Paper Feed Section 1	14
FIG. 6	Paper Feed Section 2	16
FIG. 7	Paper Feed Section 3	18
FIG. 8	Paper Feed Section 4	20
FIG. 9	Image Formation Section	22
FIG. 10	Developing Section	24
FIG. 11	Fuser Section 1 (FS-4020DN/3920DN)	26
FIG. 11	Fuser Section 1 (FS-2020D)	28
FIG. 12	Fuser Section 2 (FS-4020DN/3920DN)	30
FIG. 12	Fuser Section 2 (FS-2020D)	32
FIG. 13	Drive Section	34
FIG. 14	Exit Section (FS-4020DN/3920DN)	36
FIG. 14	Exit Section (FS-2020D)	38
FIG. 15	Electrical Components	40
FIG. 16	PT-310	42
	• INDEX	44

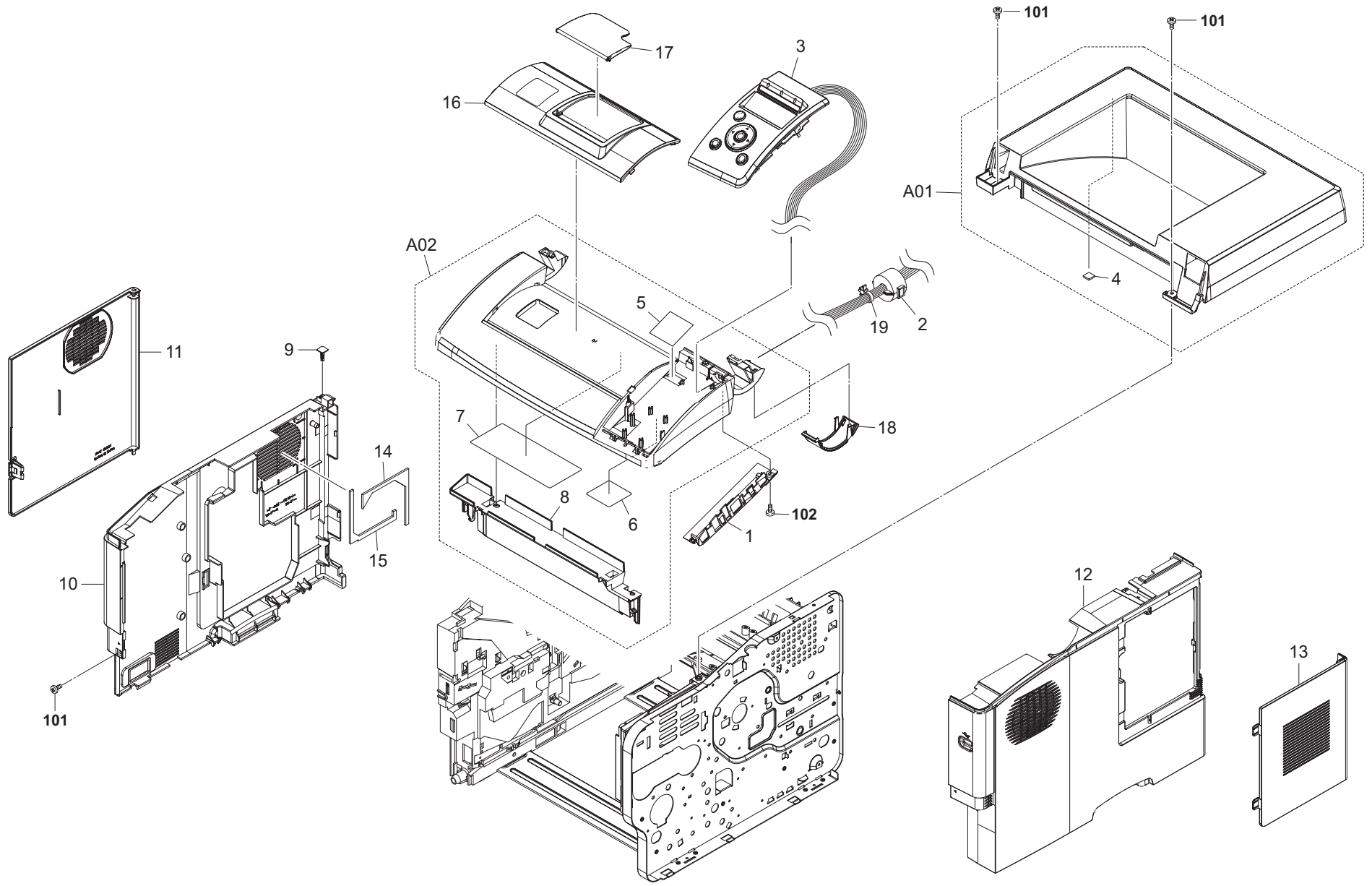


FIG. 1 Covers (FS-4020DN/3920DN)

2J0/2J1/2J2

	Ref. No.	Part.No.	Alternative.	Description	Quantity			Ref. No.	Part.No.	Alternative.	Description	Quantity		
					120	230	240					120	230	240
	1	302J105060	2J105060	COVER LCD PWB	1	1	1	101	5MBTPB4010PW++R	B1A64100	BIND T.T SCREW(+)/ M4 X 10 CRFREE P-T			
	2	7YBEJ0J0D001H01	YB045400	FERRITE CORE (FS-4020DN)	1	1	1	102	5MBTPB3008PW++R	B1A63080	BIND T.T SCREW(+)/ M3 X 8 CRFREE P-T			
⊙	3	302J294010	2J294010	KEY BOARD ASSY(E) SP (FS-4020DN)	1	1	1							
⊙	3	302J194020	2J194020	KEY BOARD ASSY(E) SP (FS-3920DN)	1	1	1							
⊙	A01	302J194040	2J194040	COVER TOP ASSY SP	1	1	1							
⊙	4	*302F904170	2F904170	SPONGE COVER TOP	1	1	1							
⊙	A02	302J294020	2J294020	LID TOP ASSY SP (FS-4020DN)	1	1	1							
⊙	A02	302J194030	2J194030	LID TOP ASSY SP (FS-3920DN)	1	1	1							
⊙	5	*302F904180	2F904180	SHEET ATTACHMENT	1	1	1							
⊙	6	*302F934100	2F934100	LABEL INSTALL DLP	1	1	1							
⊙	7	*302J034010	2J034010	LABEL JAM OPERATION	1	1	1							
⊙	8	*302J104040	2J104040	COVER FRONT	1	1	1							
	9	302F904140	2F904140	HINGE SIDE	1	1	1							
⊙	10	302J004060	2J004060	COVER LEFT	1	1	1							
⊙	11	302J004070	2J004070	COVER SIDE	1	1	1							
⊙	12	302J004080	2J004080	COVER RIGHT	1	1	1							
⊙	13	302J004090	2J004090	COVER CONTROLLER	1	1	1							
	14	302J004110	2J004110	SPONGE A FAN L 80	1	1	1							
	15	302J004120	2J004120	SPONGE B FAN L 80	1	1	1							
⊙	16	302J104030	2J104030	LID TOP B	1	1	1							
⊙	17	302J104050	2J104050	STOPPER FD	1	1	1							
⊙	18	302J104060	2J104060	COVER CABLE	1	1	1							
	19	7YZM420003++H01	YZ052580	ACCESS.BAND	1	1	1							

- Parts with "*" are component parts or sub-assemblies of the assembly appearing immediately above them.
- Parts with "⊙" indicate regular maintenance parts.

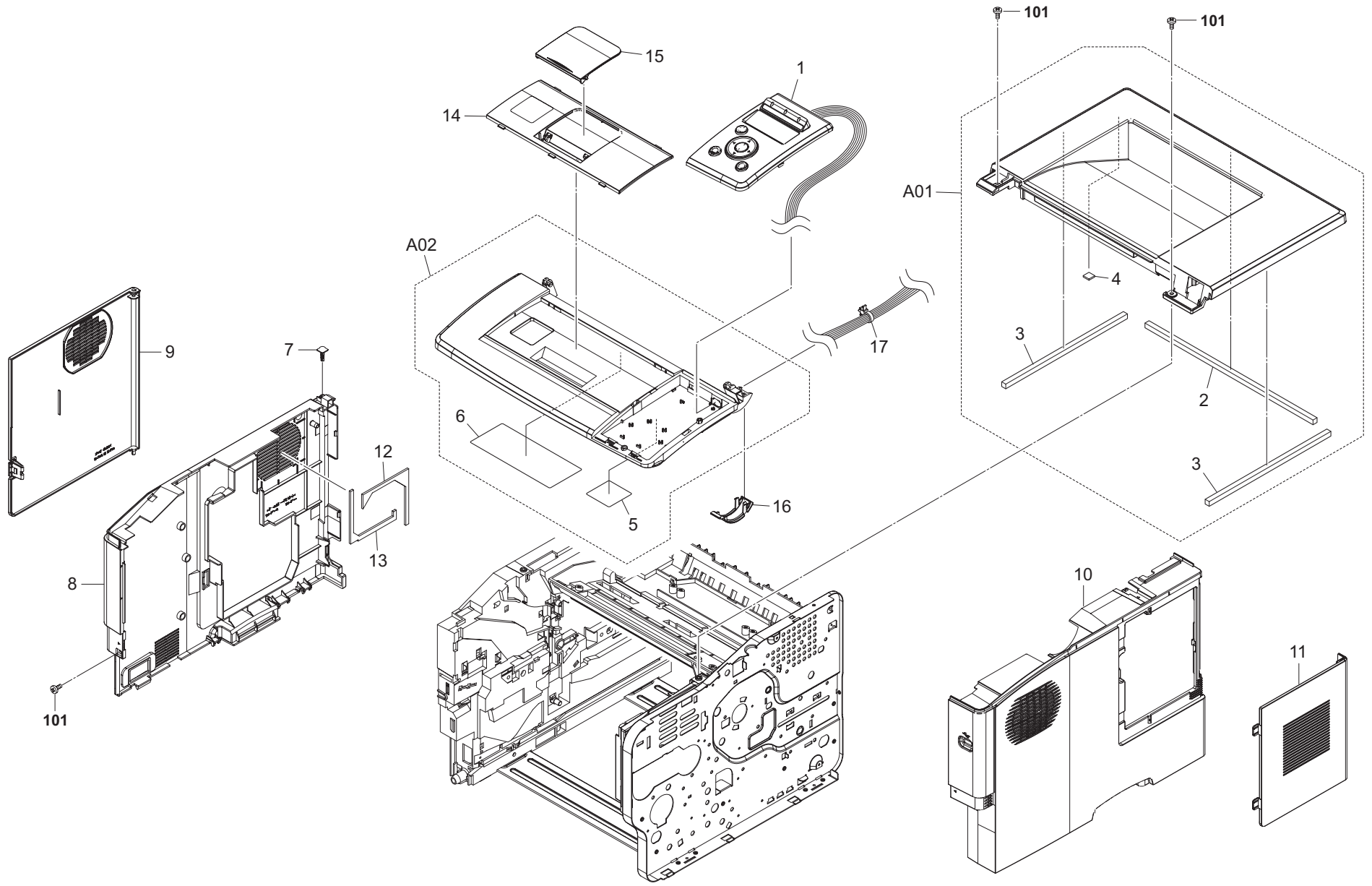


FIG. 1 Covers (FS-2020D)

2J0/2J1/2J2

	Ref. No.	Part.No.	Alternative.	Description	Quantity		
					120	230	240
⊙	1	302J094030	2J094030	KEY BOARD ASSY(E) SP	1	1	1
⊙	A01	302J094050	2J094050	COVER TOP ASSY SP	1	1	1
⊙	2	*302F804120	2F804120	SPONGE TOP TRAY REAR	1	1	1
⊙	3	*302F804130	2F804130	SPONGE TOP TRAY SIDE	2	2	2
⊙	4	*302F904170	2F904170	SPONGE COVER TOP	1	1	1
⊙	A02	302J094040	2J094040	LID TOP ASSY SP	1	1	1
⊙	5	*302F934100	2F934100	LABEL INSTALL DLP	1	1	1
⊙	6	*302J034010	2J034010	LABEL JAM OPERATION	1	1	1
⊙	7	302F904140	2F904140	HINGE SIDE	1	1	1
⊙	8	302J004060	2J004060	COVER LEFT	1	1	1
⊙	9	302J004070	2J004070	COVER SIDE	1	1	1
⊙	10	302J004080	2J004080	COVER RIGHT	1	1	1
⊙	11	302J004090	2J004090	COVER CONTROLLER	1	1	1
⊙	12	302J004110	2J004110	SPONGE A FAN L 80	1	1	1
⊙	13	302J004120	2J004120	SPONGE B FAN L 80	1	1	1
⊙	14	302J004030	2J004030	LID TOP B	1	1	1
⊙	15	302J004050	2J004050	STOPPER FD	1	1	1
⊙	16	302J004100	2J004100	COVER CABLE	1	1	1
	17	7YZM420003++H01	YZ052580	ACCESS.BAND	1	1	1

	Ref. No.	Part.No.	Alternative.	Description	Quantity		
					120	230	240
	101	5MBTPB4010PW++R	B1A64100	BIND T.T SCREW(+)/ M4 X 10 CRFREE P-T			

- Parts with "*" are component parts or sub-assemblies of the assembly appearing immediately above them.
- Parts with "⊙" indicate regular maintenance parts.

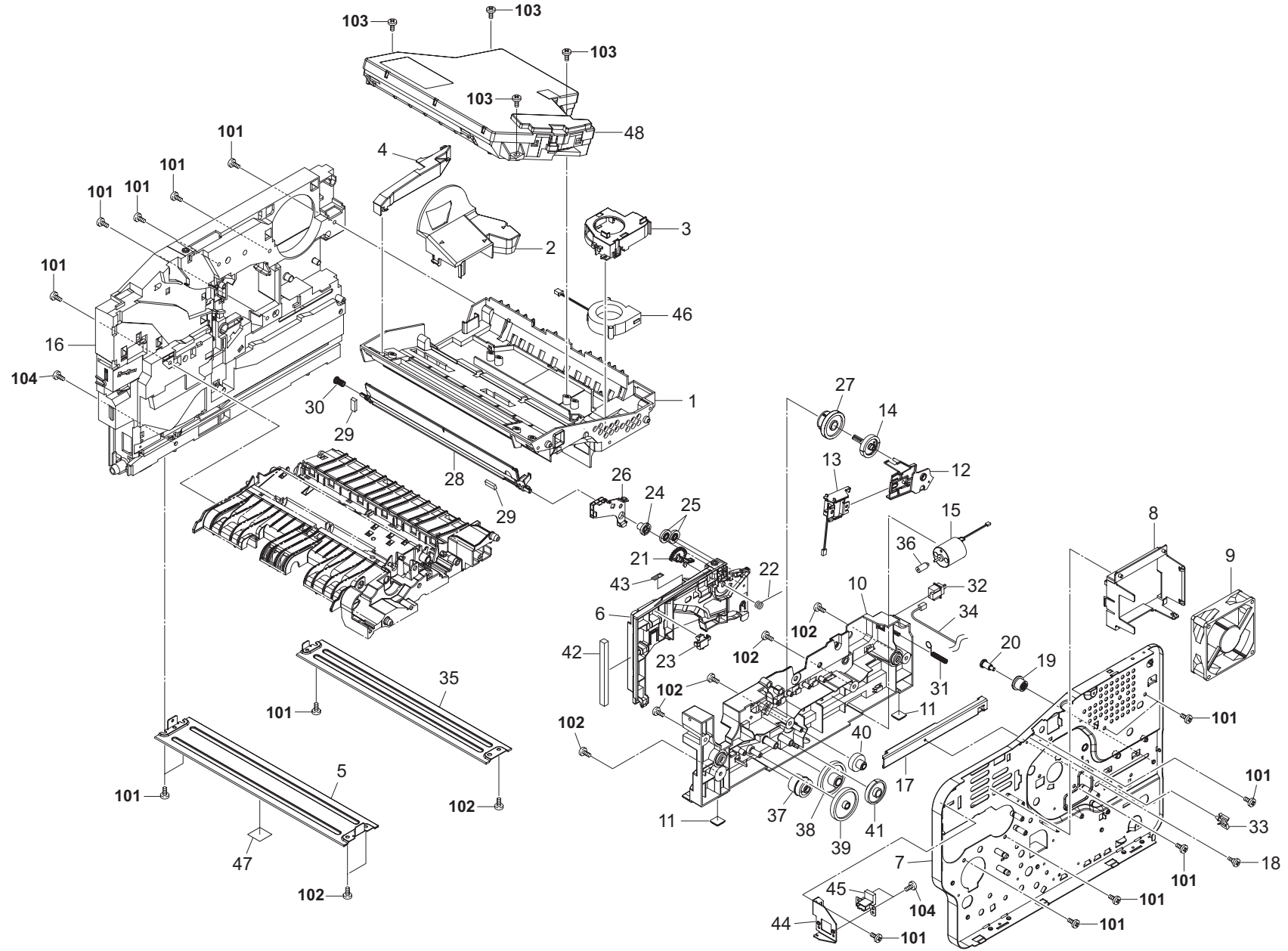


FIG. 2 Frames 1

2J0/2J1/2J2

Ref. No.	Part.No.	Alternative.	Description	Quantity			Ref. No.	Part.No.	Alternative.	Description	Quantity			
				120	230	240					120	230	240	
	1	302J002020	2J002020	FRAME CENTER	1	1	1	101	5MBTPB4010PW++R	B1A64100	BIND T.T SCREW(+)/ M4 X 10 CRFREE P-T			
	2	302F902220	2F902220	COOLING DUCT LEFT	1	1	1	102	B1A54080	B1A54080	+BIND TAP-TITE S SCREW M4X08			
	3	302J002040	2J002040	BRACKET FAN	1	1	1	103	5MBTPB4016PW++R	B1B64160	BIND T.T SCREW(+)/ M4 X 16 CRFREE P-T			
	4	302F902380	2F902380	COOLING DUCT LEFT A	1	1	1	104	5MBTPB3006TW++R	B1A53060	BIND T.T SCREW(+)/ M3 X 6 CRFREE S-T			
	5	302F902041	2F902041	PLATE BOTTOM	1	1	1							
	6	302F902060	2F902060	GUIDE DLP R	1	1	1							
	7	302F902021	2F902021	FRAME RIGHT	1	1	1							
	8	302F902070	2F902070	DUCT RIGHT FRAME	1	1	1							
⊙	9	302J044040	2J044040	FAN R 80	1	1	1							
	10	302F902050	2F902050	GUIDE CASSETTE (FS-4020DN/3920DN)	1	1	1							
	10	302F802010	2F802010	GUIDE CASSETTE (FS-2020D)	1	1	1							
⊙	11	302J002010	2J002010	FOOT	2	2	2							
⊙	12	302F931230	2F931230	HOLDER DLP CLUTCH	1	1	1							
⊙	13	302F944071	2F944071	SOLENOID DLP	1	1	1							
⊙	14	302F931190	2F931190	GEAR DLP Z31H	1	1	1							
⊙	15	302F944170	2F944170	MOTOR LIFT (FS-4020DN/3920DN)	1	1	1							
	16	302F902011	2F902011	FRAME LEFT	1	1	1							
⊙	17	302F925460	2F925460	OUTER RAIL R	1	1	1							
	18	3CZ02230	3CZ02230	PIN,HOOK FULCRUM	1	1	1							
⊙	19	302F925480	2F925480	PULLEY RAIL DOUBLE	1	1	1							
⊙	20	302F925500	2F925500	PIN PULLEY	1	1	1							
⊙	21	302F912320	2F912320	ARM DRUM SHUTTER	1	1	1							
	22	302F912360	2F912360	SPRING SHUTTER ARM	1	1	1							
⊙	23	302F902420	2F902420	LOCK COVER TOP R	1	1	1							
⊙	24	302F912340	2F912340	GEAR SHUTTER Z16S	1	1	1							
⊙	25	302F912330	2F912330	GEAR SHUTTER Z18S	2	2	2							
⊙	26	302F912350	2F912350	LID DRUM SHUTTER	1	1	1							
⊙	27	302F931600	2F931600	CLUTCH DLP	1	1	1							
⊙	28	302F912310	2F912310	COVER DRUM SHUTTER	1	1	1							
	29	2C906260	2C906260	SHEET ABSORBER	2	2	2							
	30	302F912370	2F912370	SPRING SHUTTER L	1	1	1							
	31	302F925872	2F925872	SPRING RAIL SW	1	1	1							
	32	7SP01000001+H01	SP044290	SW.PUSH	1	1	1							
	33	M70AK010	M70AK010	WIRE SADDLE,RMS-1V0(TAKEUCHI)	1	1	1							
	34	302J046010	2J046010	CONN. CORD ASSY S03448	1	1	1							
	35	302J002030	2J002030	PLATE BOTTOM	1	1	1							
⊙	36	302F909501	2F909501	GEAR WORM (FS-4020DN/3920DN)	1	1	1							
⊙	37	302F909550	2F909550	GEAR Z26Z15 (FS-4020DN/3920DN)	1	1	1							
⊙	38	302F909530	2F909530	GEAR Z50Z16 (FS-4020DN/3920DN)	1	1	1							
⊙	39	302F909540	2F909540	GEAR Z49 (FS-4020DN/3920DN)	1	1	1							
⊙	40	302F909510	2F909510	GEAR Z40HZ18 (FS-4020DN/3920DN)	1	1	1							
⊙	41	302F909520	2F909520	GEAR Z60Z16 (FS-4020DN/3920DN)	1	1	1							
	42	302F902480	2F902480	SPONGE MULTI	1	1	1							
	43	302FV14500	2FV14500	LABEL GUIDE DLP	1	1	1							
	44	302J002050	2J002050	BRACKET USB	1	1	1							
	45	302J046250	2J046250	CONN. CORD ASSY S03497	1	1	1							
⊙	46	302J044070	2J044070	FAN MOTOR	1	1	1							
	47	302F802030	2F802030	SPACER PLATE BOTTOM (FS-2020D)	1	1	1							
⊙	48	302J293040	2J293040	LK-360 (FS-4020DN)	1	1	1							
⊙	48	302J193040	2J193040	LK-350 (FS-3920DN)	1	1	1							
⊙	48	302J093050	2J093050	LK-340 (FS-2020D)	1	1	1							

- Parts with "*" are component parts or sub-assemblies of the assembly appearing immediately above them.
- Parts with "⊙" indicate regular maintenance parts.

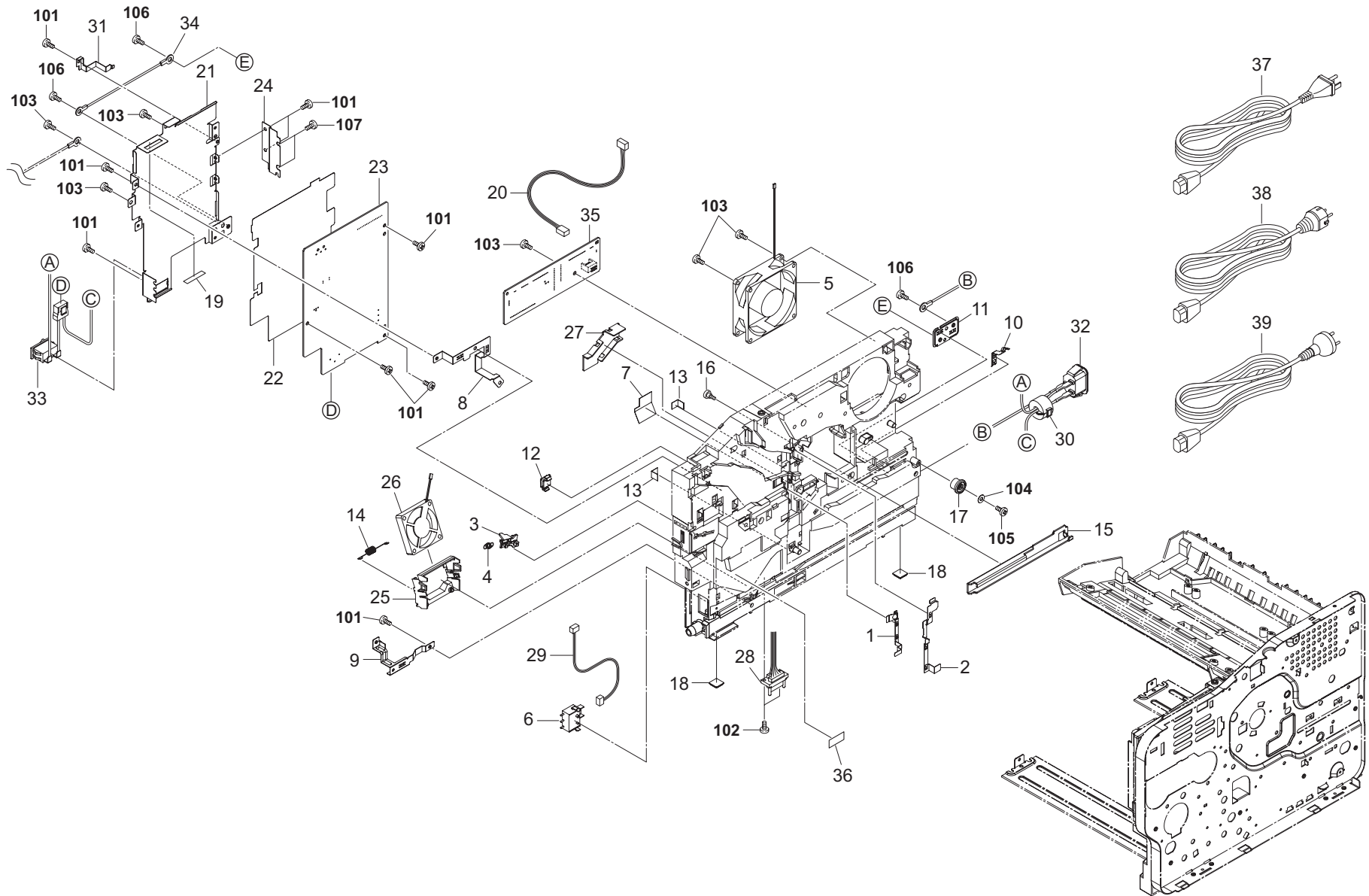


FIG. 3 Frames 2

2J0/2J1/2J2

Ref. No.	Part.No.	Alternative.	Description	Quantity			Ref. No.	Part.No.	Alternative.	Description	Quantity			
				120	230	240					120	230	240	
⊙	1	302F902270	2F902270	CONTACT BIAS	1	1	1	101	5MBTPB3006TW++R	B1A53060	BIND T.T SCREW(+)/ M3 X 6 CRFREE S-T			
⊙	2	302F902160	2F902160	CONTACT MAIN	1	1	1	102	5MBTPB3012PW++R	B1A63120	BIND T.T SCREW(+)/ M3 X 12 CRFREE P-T			
⊙	3	302F902170	2F902170	LEVER EF (FS-4020DN/3920DN)	1	1	1	103	5MBTPB4010PW++R	B1A64100	BIND T.T SCREW(+)/ M4 X 10 CRFREE P-T			
	4	302F902180	2F902180	SPRING LEVER EF (FS-4020DN/3920DN)	1	1	1	104	C2804100	C2804100	POLYESTER SLIDER WASHER 4.1X10X0.5T			
⊙	5	302F944150	2F944150	FAN L 80	1	1	1	105	BAA63080	BAA63080	+TP TAP-TITE P SCREW M3X08			
⊙	6	5FSP03090001+01	SP0A0360	PUSH SWITCH 03 SN /SW-192 N	1	1	1	106	B1A54080	B1A54080	+BIND TAP-TITE S SCREW M4X08			
	7	302F902340	2F902340	SHEET BIAS	1	1	1	107	5MBTPB3008PW++R	B1A63080	BIND T.T SCREW(+)/ M3 X 8 CRFREE P-T			
	8	302F902321	2F902321	PLATE EARTH FEED	1	1	1							
	9	302F902280	2F902280	PLATE EARTH BOTTOM	1	1	1							
	10	302F902390	2F902390	PLATE EARTH RAIL	1	1	1							
	11	302F902402	2F902402	PLATE EARTH MAIN	1	1	1							
⊙	12	302F902430	2F902430	LOCK COVER TOP L	1	1	1							
	13	302F902450	2F902450	SHEET WIRE	2	2	2							
	14	302F902410	2F902410	SPRING EARTH FAN	1	1	1							
⊙	15	302F925470	2F925470	OUTER RAIL L	1	1	1							
	16	3CZ02230	3CZ02230	PIN,HOOK FULCRUM	1	1	1							
⊙	17	302F925480	2F925480	PULLEY RAIL DOUBLE	1	1	1							
⊙	18	302J002010	2J002010	FOOT	2	2	2							
	19	302F902490	2F902490	SHEET POWER PLATE	1	1	1							
	20	302F846060	2F846060	CONN.CORD ASSY S03047	1	1	1							
	21	302F902101	2F902101	PLATE POWER PWB	1	1	1							
	22	302F902110	2F902110	SHEET POWER PWB	1	1	1							
⊙	23	302F980192	2F980192	SWITCHING REGULATOR(U) (FS-4020DN/3920DN)	1									
⊙	23	302F880062	2F880062	SWITCHING REGULATOR (U) (FS-2020D)	1									
⊙	23	302F980200	2F980200	SWITCHING REGULATOR(E) (FS-4020DN/3920DN)		1	1							
⊙	23	302F880070	2F880070	SWITCHING REGULATOR(E) (FS-2020D)		1	1							
	24	302F902330	2F902330	PLATE HEAT SINK	1	1	1							
	25	302F902250	2F902250	MOUNT FAN MOTOR	1	1	1							
⊙	26	302F944160	2F944160	FAN POWER PWB 50	1	1	1							
	27	302F902240	2F902240	COVER WIRE A	1	1	1							
	28	302J046080	2J046080	CONN. CORD ASSY S03455	1	1	1							
	29	302J046020	2J046020	CONN. CORD ASSY S03449	1	1	1							
	30	7YBEJ0J0D001H01	YB045400	FERRITE CORE (FS-4020DN)	1	1	1							
	31	302F902260	2F902260	PLATE EARTH DRUM	1	1	1							
	32	302F846320	2F846320	CONN.CORD ASSY S03130	1	1	1							
	33	302F846200	2F846200	CONN.CORD ASSY S03068	1	1	1							
	34	302F846330	2F846330	CONN.CORD ASSY S03172	1	1	1							
⊙	35	302J101040	2J101040	P.W.BOARD ASSY CONNECT-L (FS-4020DN/3920DN)	1	1	1							
⊙	35	302J001090	2J001090	P.W.BOARD ASSY CONNECT-L (FS-2020D)	1	1	1							
	36	5MVVL611WN06	2FV20100	LABEL FUSER CAUTION	1	1	1							
	37	7AAACCUS+10H001	AA068380	AC CORD ASSY US	1									
	38	302FV45020	2FV45020	AC CORD ASSY		1								
	39	302FV45040	2FV45040	AC CORD ASSY			1							

- Parts with "*" are component parts or sub-assemblies of the assembly appearing immediately above them.
- Parts with "⊙" indicate regular maintenance parts.

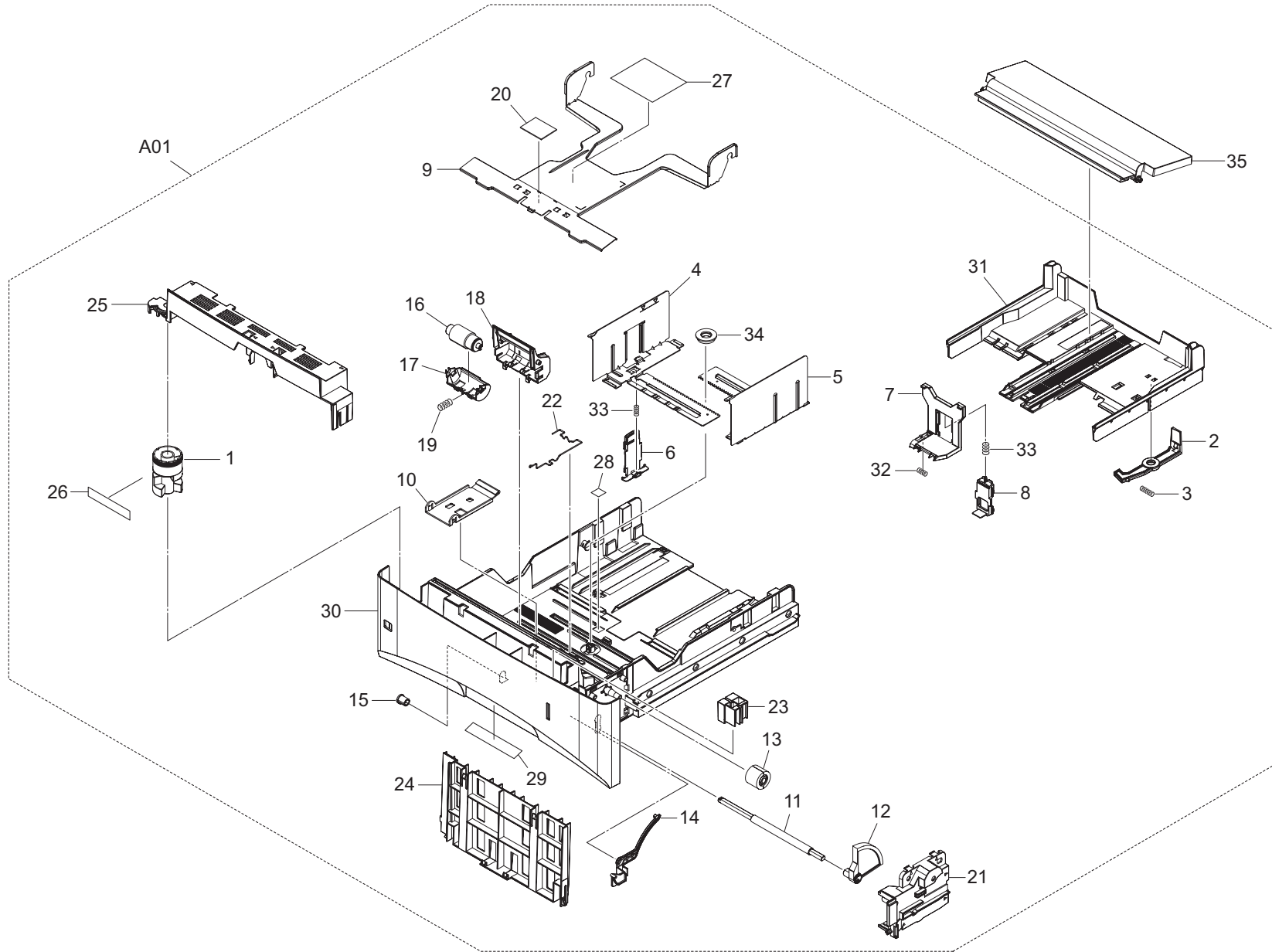


FIG. 4 Paper Cassette (FS-4020DN/3920DN)

2J0/2J1/2J2

Ref. No.	Part.No.	Alternative.	Description	Quantity		
				120	230	240
⊙ A01	302J193070	2J193070	CT-350	1	1	1
1	*2BZ06070	5MVM686SH001	DIAL CASSETTE /29845V0022 A2	1	1	1
⊙ 2	*302F909031	2F909031	LEVER BASE CAS REAR	1	1	1
3	*302F909040	2F909040	SPRING BASE CAS REAR	1	1	1
4	*302F909050	2F909050	CURSOR LEFT	1	1	1
5	*302F909060	2F909060	CURSOR RIGHT	1	1	1
⊙ 6	*302F909070	2F909070	LEVER SIDE CURSOR	1	1	1
7	*302F909080	2F909080	CURSOR END	1	1	1
⊙ 8	*302F909090	2F909090	LEVER END CURSOR	1	1	1
9	*302F909101	2F909101	PLATE BOTTOM	1	1	1
10	*302F909110	2F909110	WORKPLATE LIFT	1	1	1
11	*302F909121	2F909121	SHAFT WORKPLATE	1	1	1
⊙ 12	*302F909131	2F909131	GEAR LIFT Z64	1	1	1
⊙ 13	*302F909140	2F909140	GEAR JOINT Z16	1	1	1
⊙ 14	*302F909151	2F909151	LEVER INDICATOR	1	1	1
⊙ 15	*302F909160	2F909160	BUSH LIFT 6	1	1	1
⊙ 16	*302F909170	2F909170	RETARD ROLLER ASSY	1	1	1
17	*302F909180	2F909180	HOLDER RETARD	1	1	1
18	*302F909191	2F909191	GUIDE RETARD	1	1	1
19	*302F909200	2F909200	SPRING RETARD	1	1	1
⊙ 20	*302F909210	2F909210	PAD BOTTOM	1	1	1
21	*302F909230	2F909230	COVER LIFT GEAR	1	1	1
22	*302F909250	2F909250	SPRING SIZE FIX	1	1	1
23	*302F909260	2F909260	MARKER INDICATOR	1	1	1
24	*302F909270	2F909270	GUIDE PAPER CASSETTE	1	1	1
25	*302F909280	2F909280	COVER CASSETTE TOP	1	1	1
26	*302F909290	2F909290	LABEL DIAL A6	1	1	1
27	*302F909300	2F909300	LABEL OPERATION	1	1	1
28	*302F909310	2F909310	LABEL A6	1	1	1
29	*302F909560	2F909560	SHEET CASSETTE	1	1	1
30	*302J009020	2J009020	BASE CASSETTE	1	1	1
31	*302J009030	2J009030	BASE CASSETTE REAR	1	1	1
32	*5MMW151SD003	2BS06100	SPRING END /3070P319 A4	1	1	1
33	*5MMW166LD010	2B700070	SPRING LOCK GUIDE /FS-1200 A4	2	2	2
34	*5MVG127DB046	2B700190	GEAR CASSETTE /FS-1200 A4	1	1	1
35	302F909240	2F909240	LID CASSETTE	1	1	1

- Parts with "*" are component parts or sub-assemblies of the assembly appearing immediately above them.
- Parts with "⊙" indicate regular maintenance parts.

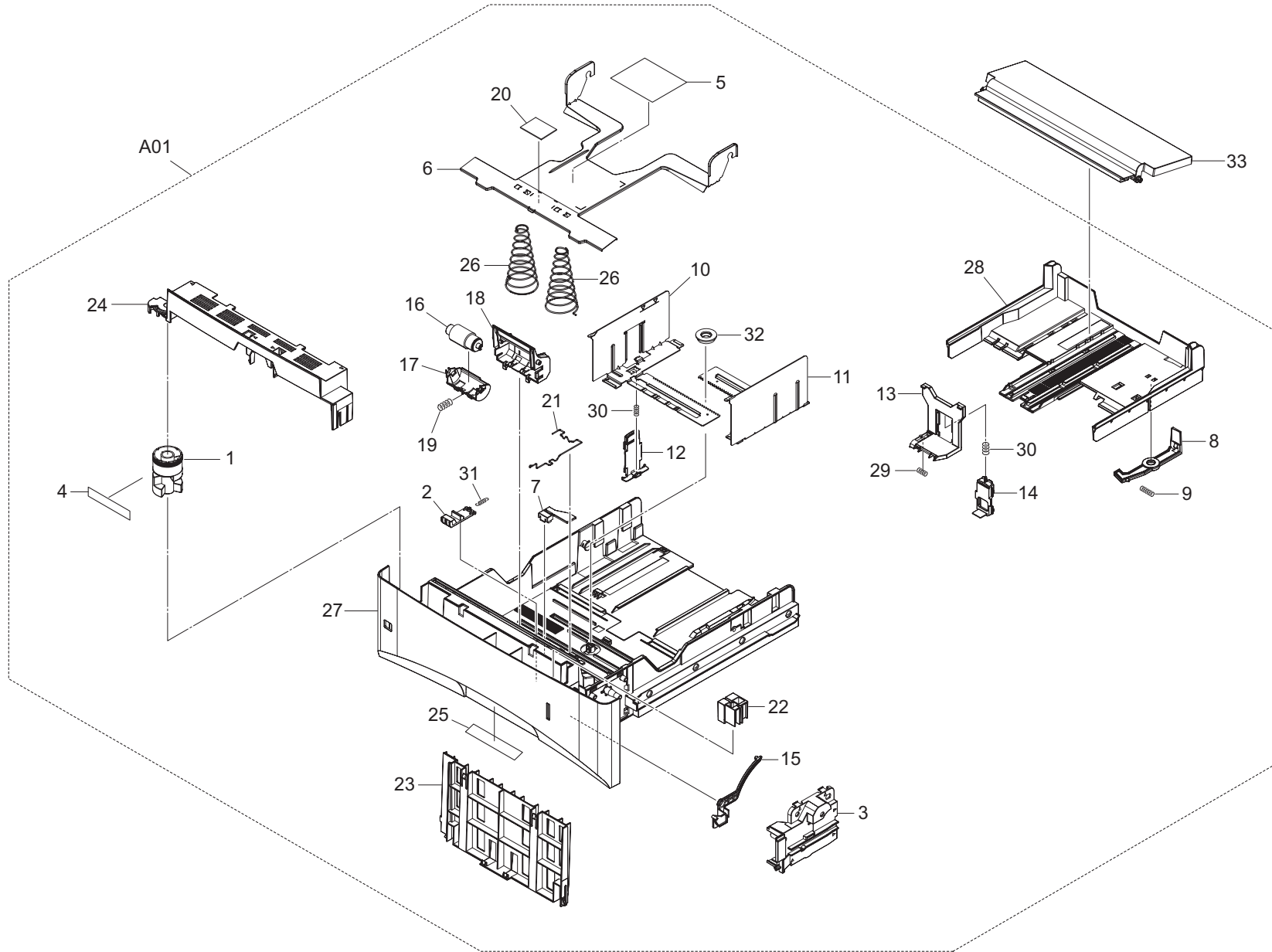


FIG. 4 Paper Cassette (FS-2020D)

2J0/2J1/2J2

Ref. No.	Part.No.	Alternative.	Description	Quantity		
				120	230	240
⊙ A01	302J093080	2J093080	CT-340	1	1	1
1	*2BZ06070	5MVM686SH001	DIAL CASSETTE /29845V0022 A2	1	1	1
⊙ 2	*302F809020	2F809020	LOCK BOTTOM	1	1	1
3	*302F809040	2F809040	COVER LIFT GEAR	1	1	1
4	*302F809050	2F809050	LABEL DIAL	1	1	1
5	*302F809060	2F809060	LABEL OPERATION	1	1	1
6	*302F809071	2F809071	PLATE BOTTOM	1	1	1
7	*302F809080	2F809080	STOPPER A5	1	1	1
⊙ 8	*302F909031	2F909031	LEVER BASE CAS REAR	1	1	1
9	*302F909040	2F909040	SPRING BASE CAS REAR	1	1	1
10	*302F909050	2F909050	CURSOR LEFT	1	1	1
11	*302F909060	2F909060	CURSOR RIGHT	1	1	1
⊙ 12	*302F909070	2F909070	LEVER SIDE CURSOR	1	1	1
13	*302F909080	2F909080	CURSOR END	1	1	1
⊙ 14	*302F909090	2F909090	LEVER END CURSOR	1	1	1
⊙ 15	*302F909151	2F909151	LEVER INDICATOR	1	1	1
⊙ 16	*302F909170	2F909170	RETARD ROLLER ASSY	1	1	1
17	*302F909180	2F909180	HOLDER RETARD	1	1	1
18	*302F909191	2F909191	GUIDE RETARD	1	1	1
19	*302F909200	2F909200	SPRING RETARD	1	1	1
⊙ 20	*302F909210	2F909210	PAD BOTTOM	1	1	1
21	*302F909250	2F909250	SPRING SIZE FIX	1	1	1
22	*302F909260	2F909260	MARKER INDICATOR	1	1	1
23	*302F909270	2F909270	GUIDE PAPER CASSETTE	1	1	1
24	*302F909280	2F909280	COVER CASSETTE TOP	1	1	1
25	*302F909560	2F909560	SHEET CASSETTE	1	1	1
⊙ 26	*302J009010	2J009010	SPRING BOTTOM	2	2	2
27	*302J009020	2J009020	BASE CASSETTE	1	1	1
28	*302J009030	2J009030	BASE CASSETTE REAR	1	1	1
29	*5MMW151SD003	2BS06100	SPRING END /3070P319 A4	1	1	1
30	*5MMW166LD010	2B700070	SPRING LOCK GUIDE /FS-1200 A4	2	2	2
31	*5MMW251LD048	2BS06150	SP STOPPER BOTTOM /PF3070P304 A4	1	1	1
32	*5MVG127DB046	2B700190	GEAR CASSETTE /FS-1200 A4	1	1	1
33	302F909240	2F909240	LID CASSETTE	1	1	1

- Parts with "*" are component parts or sub-assemblies of the assembly appearing immediately above them.
- Parts with "⊙" indicate regular maintenance parts.

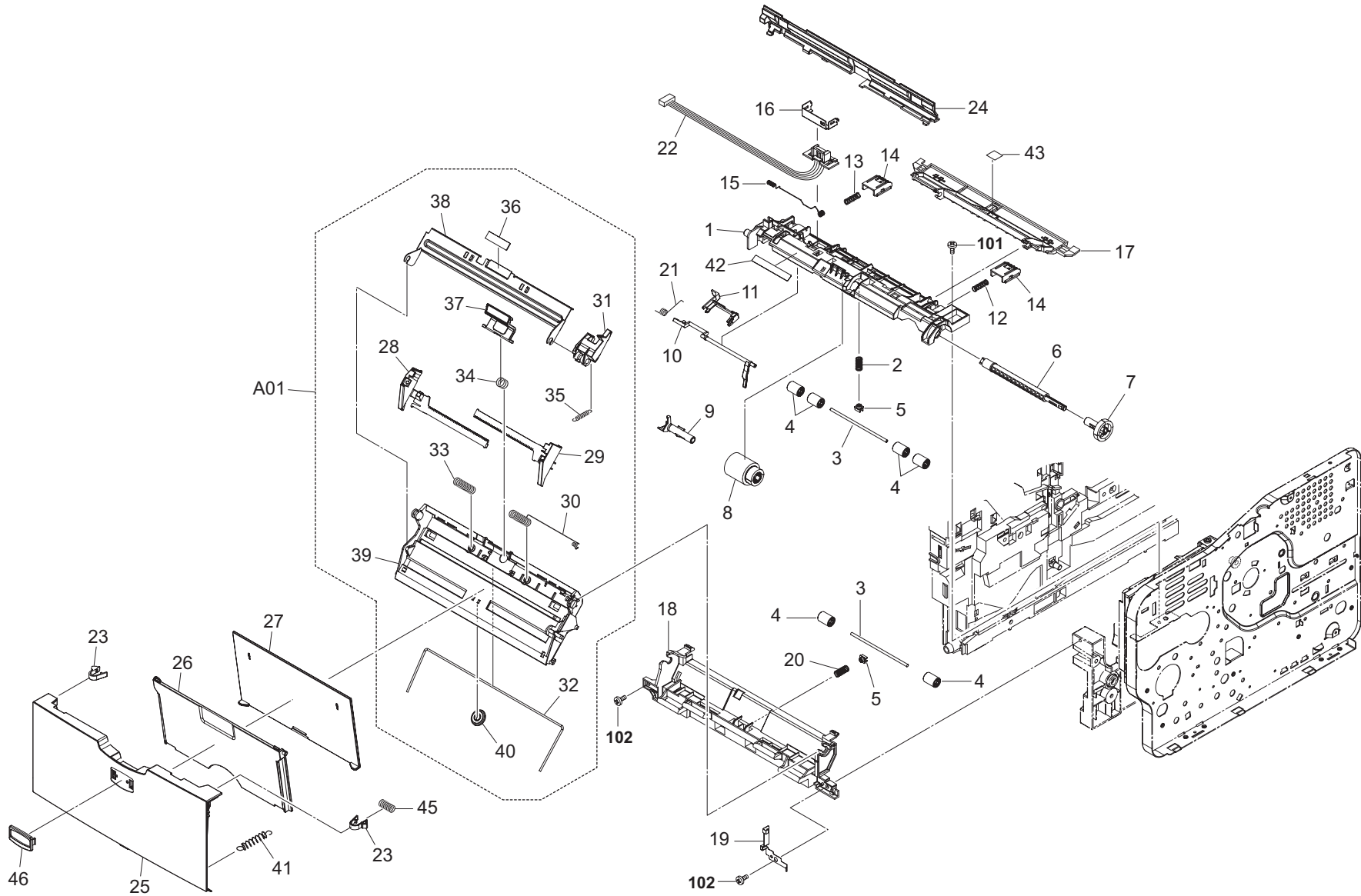


FIG. 5 Paper Feed Section 1

2J0/2J1/2J2

Ref. No.	Part.No.	Alternative.	Description	Quantity			Ref. No.	Part.No.	Alternative.	Description	Quantity			
				120	230	240					120	230	240	
	1	302F908020	2F908020	FRAME MPF	1	1	1	101	B1A54080	B1A54080	+BIND TAP-TITE S SCREW M4X08			
	2	302F908380	2F908380	SP PULLEY FEED	1	1	1	102	5MBTPB4010PW++R	B1A64100	BIND T.T SCREW(+)/ M4 X 10 CRFREE P-T			
	3	302F929060	2F929060	SHAFT FEED DU	2	2	2							
⊙	4	302F929050	2F929050	PULLEY FEED DU	6	6	6							
⊙	5	5MVX111DN002	3B706590	BUSH SP PULLEY /40283V0099 A4	2	2	2							
	6	302F908110	2F908110	SHAFT FEED MPF	1	1	1							
	7	302F908130	2F908130	GEAR MPF Z30	1	1	1							
⊙	8	5AAVROLL+051	2CL16130	ROLLER M/P ASSY /43487B0027 A4	1	1	1							
	9	5MVX422DN007	2BS02370	HOLDER FEED M/P /43487B0026 A4	1	1	1							
⊙	10	302F908120	2F908120	ACTUATOR MPF A	1	1	1							
⊙	11	302F908210	2F908210	ACTUATOR MPF B	1	1	1							
	12	302F908330	2F908330	SPRING LEVER LOCK R	1	1	1							
	13	302J008050	2J008050	SPRING LEVER LOCK L	1	1	1							
⊙	14	302F908340	2F908340	LOCK DLP	2	2	2							
	15	302F908230	2F908230	SPRING EARTH CONNECTOR	1	1	1							
	16	302F908220	2F908220	BKT CONNECTOR	1	1	1							
	17	302F924060	2F924060	GUIDE REGIST UP	1	1	1							
	18	302F908010	2F908010	GUIDE TURN MPF	1	1	1							
	19	302F908170	2F908170	PLATE EARTH BOTTOM	1	1	1							
	20	302F908150	2F908150	SP PULLEY TURN	1	1	1							
	21	302F908280	2F908280	SP ACTUATOR MPF	1	1	1							
	22	302J046030	2J046030	CONN. CORD ASSY S03450	1	1	1							
⊙	23	302F908200	2F908200	LOCK COVER	2	2	2							
⊙	24	302F908180	2F908180	COVER FRONT MPF	1	1	1							
⊙	25	302J008010	2J008010	COVER MPF	1	1	1							
⊙	26	302F908040	2F908040	TRAY MPF MID	1	1	1							
⊙	27	302F908050	2F908050	TRAY MPF TOP	1	1	1							
⊙	A01	302J094060	2J094060	BASE MPF ASSY SP	1	1	1							
	28	*302F908070	2F908070	GUIDE SIDE MPF L	1	1	1							
	29	*302F908080	2F908080	GUIDE SIDE MPF R	1	1	1							
	30	*302F908100	2F908100	SPRING BOTTOM MPF R	1	1	1							
	31	*302F908240	2F908240	BRACKET BOTTOM	1	1	1							
	32	*302F908260	2F908260	WIRE BASE MPF	1	1	1							
	33	*302F908270	2F908270	SP BOTTOM MPF L	1	1	1							
	34	*302F908290	2F908290	SP SEPARATOR MPF	1	1	1							
	35	*302F908300	2F908300	SPRING LOCK MPF	1	1	1							
	36	*302F908310	2F908310	PAD FRICTION MPF	1	1	1							
⊙	37	*302F994070	2F994070	SEPARATOR MP ASSY	1	1	1							
	38	*302J008030	2J008030	PLATE BOTTOM MPF	1	1	1							
	39	*302J008040	2J008040	BASE MPF	1	1	1							
	40	*5MVG127DH001	2B700380	GEAR MANUAL /40301X1013 A4	1	1	1							
	41	302F908350	2F908350	SP COVER MPF	1	1	1							
	42	302J034070	2J034070	LABEL CAUTION ENVELOPE E	1	1	1							
	43	302F924790	2F924790	LABEL OPERATION	1	1	1							
⊙	44	302G634070	2G634070	LABEL ENERGY STAR	1	1	1							
	45	302F708310	2F708310	SPRING LOCK MPF	1	1	1							
⊙	46	302F994100	2F994100	EMBLEM ASSY	1	1	1							

- Parts with "*" are component parts or sub-assemblies of the assembly appearing immediately above them.
- Parts with "⊙" indicate regular maintenance parts.

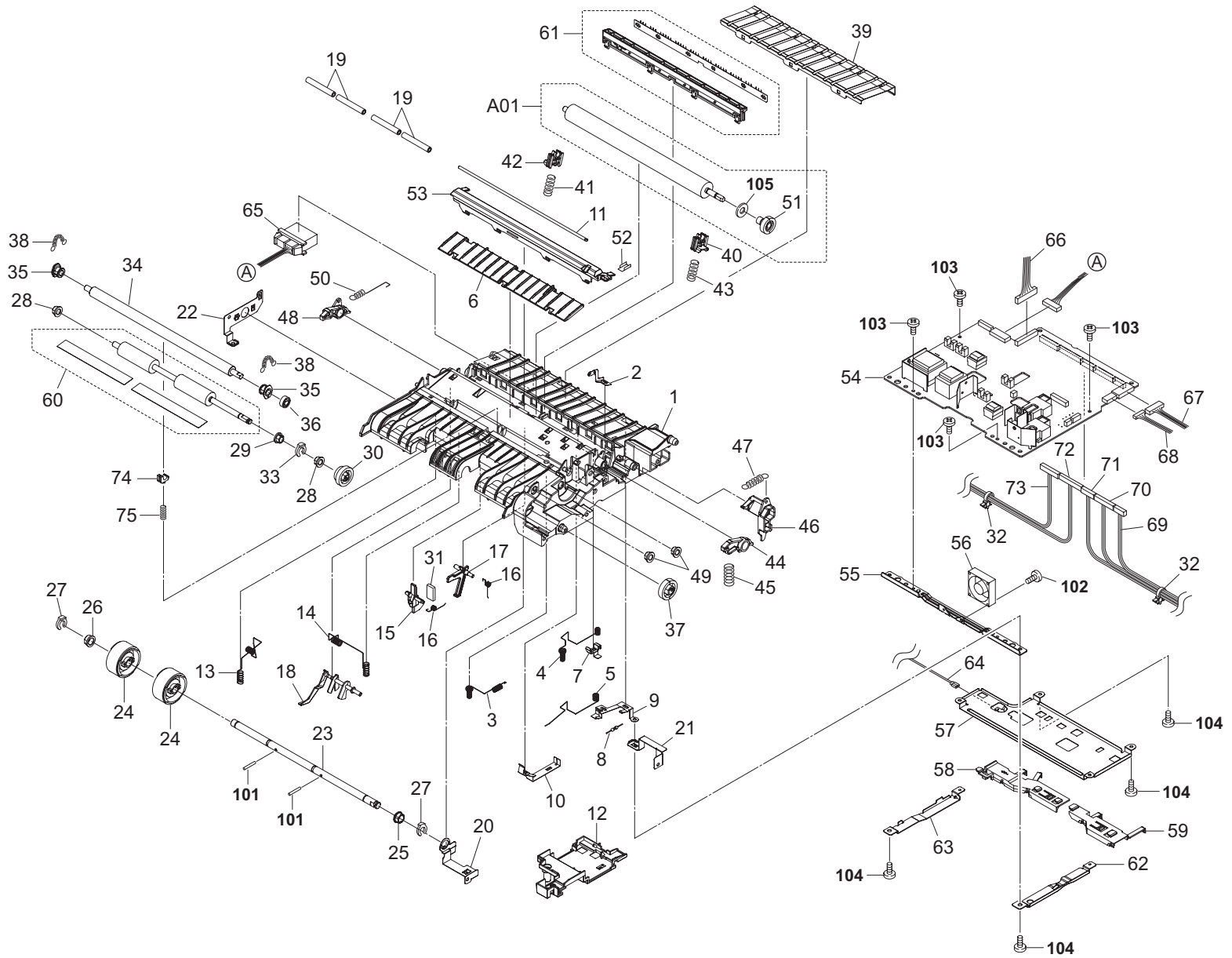


FIG. 6 Paper Feed Section 2

2J0/2J1/2J2

Ref. No.	Part.No.	Alternative.	Description	Quantity		
				120	230	240
1	302J024050	2J024050	FRAME FEED	1	1	1
2	302F924600	2F924600	PLATE TC CHARGE	1	1	1
3	302F924120	2F924120	SPRING TC CHARGE	1	1	1
4	302J024020	2J024020	SPRING SEP CHARGE	1	1	1
5	302F924140	2F924140	SPRING EARTH	1	1	1
6	302F924810	2F924810	GUIDE FEED LOW	1	1	1
7	302F924590	2F924590	PLATE SEP CHARGE	1	1	1
8	7RHA2H10701+H01	RH043740	M.GLAZE R. 100MJ 1/2W	1	1	1
9	302F924580	2F924580	PLATE EARTH M	1	1	1
10	302F924570	2F924570	PLATE HIGH MEG EARTH	1	1	1
11	302F924750	2F924750	SHAFT GUIDE	1	1	1
12	302J024010	2J024010	COVER PWB FEED	1	1	1
13	302F924280	2F924280	SPRING MAIN CHARGE	1	1	1
14	302F924340	2F924340	SPRING BIAS CHARGE	1	1	1
⊙	15	302F924150	ACTUATOR REGIST	1	1	1
⊙	16	302F924270	SPRING REGIST SENSOR	2	2	2
⊙	17	302F924220	ACTUATOR DU	1	1	1
⊙	18	302F924090	LEVER EMPTY	1	1	1
19	302F924760	2F924760	PULLEY GUIDE	4	4	4
20	302F924660	2F924660	PLATE HV R	1	1	1
21	302F924560	2F924560	PLATE EARTH R	1	1	1
22	302F924651	2F924651	PLATE HV L	1	1	1
23	302F924041	2F924041	SHAFT MID	1	1	1
⊙	24	302GA24030	ROLLER MIDDLE ASSY	2	2	2
25	2BC06510	2BC06510	BUSHING 8	1	1	1
⊙	26	2BG22980	BUSH 8	1	1	1
27	2BC06910	2BC06910	STOPPER 6	2	2	2
⊙	28	2BG22960	BUSH 6	2	2	2
⊙	29	2BG22970	BUSH 6 EW	1	1	1
⊙	30	302F924700	GEAR REG Z26H-Z33H	1	1	1
31	302F924780	2F924780	SPONGE REGIST	1	1	1
32	7YZM420003++H01	YZ052580	ACCESS.BAND	2	2	2
33	2BC06980	2BC06980	STOPPER 5	1	1	1
⊙	34	302F924020	ROLLER REGIST UP	1	1	1
⊙	35	302F924160	BUSH REGIST	2	2	2
⊙	36	302F924430	GEAR REGIST Z23H	1	1	1
⊙	37	302F931430	GEAR FEED ROLL Z27H	1	1	1
⊙	38	302F924460	SPRING REGIST R	2	2	2
39	302F924100	2F924100	GUIDE EARTH	1	1	1
⊙	40	302F924190	BUSH TRANSFER R	1	1	1
⊙	41	302F924390	SPRING TC L	1	1	1
⊙	42	302F924830	BUSH TRANSFER L	1	1	1
43	302F924400	2F924400	SPRING TC R	1	1	1
⊙	44	302F924490	LEVER RELEASE DLP R	1	1	1
45	302F924320	2F924320	SPRING RELEASE DLP R	1	1	1
⊙	46	302F924240	LEVER RELEASE FUSER R	1	1	1
47	302F924380	2F924380	SPRING RELEASE FUSER R	1	1	1
⊙	48	302F924480	LEVER RELEASE DLP L	1	1	1
⊙	49	302F931490	BUSH FEED DRIVE	2	2	2
50	302F924520	2F924520	SP RELEASE TC L	1	1	1

Ref. No.	Part.No.	Alternative.	Description	Quantity			
				120	230	240	
⊙	A01	302F994300	2F994300	ROLLER TRANSFER ASSY SP	1	1	1
⊙	51	302F924210	2F924210	GEAR TC Z22H	1	1	1
52	302F924720	2F924720	SHEET INSULATOR	1	1	1	
53	302F924071	2F924071	GUIDE PAPER CHUTE	1	1	1	
⊙	54	302J280010	2J280010	P.W.B ASSY ENGINE WITH SOFTWARE (SP) (FS-4020DN)	1	1	1
⊙	54	302J180010	2J180010	P.W.B ASSY ENGINE WITH SOFTWARE (SP) (FS-3920DN)	1	1	1
⊙	54	302J080010	2J080010	P.W.B ASSY ENGINE WITH SOFTWARE (SP) (FS-2020D)	1	1	1
55	302F924550	2F924550	PLATE HV	1	1	1	
⊙	56	302J044030	2J044030	FAN ENGINE PWB 35	1	1	1
57	302F924470	2F924470	PLATE ENGINE	1	1	1	
58	302F924500	2F924500	GUIDE CABLE L	1	1	1	
59	302F924510	2F924510	GUIDE CABLE R	1	1	1	
⊙	60	302F994120	2F994120	REGIST KIT	1	1	1
⊙	61	302F994110	2F994110	DC BRUSH ASSY	1	1	1
62	302J024080	2J024080	PLATE EARTH ENGINE R	1	1	1	
63	302F924730	2F924730	PLATE EARTH ENGINE L	1	1	1	
64	302F846290	2F846290	CONN.CORD ASSY S03122	1	1	1	
65	302J146040	2J146040	CONN. CORD ASSY S03475 (FS-4020DN/3920DN)	1	1	1	
65	302J046190	2J046190	CONN. CORD ASSY S03466 (FS-2020D)	1	1	1	
66	302J046150	2J046150	CONN. CORD ASSY S03462	1	1	1	
67	302F846100	2F846100	CONN.CORD ASSY S03052	1	1	1	
68	302J046090	2J046090	CONN. CORD ASSY S03456	1	1	1	
69	302F846090	2F846090	CONN.CORD ASSY S03051	1	1	1	
70	302J046180	2J046180	CONN. CORD ASSY S03465	1	1	1	
71	302J146010	2J146010	CONN. CORD ASSY S03472 (FS-4020DN/3920DN)	1	1	1	
71	302J046170	2J046170	CONN. CORD ASSY S03464 (FS-2020D)	1	1	1	
72	302F846130	2F846130	CONN.CORD ASSY S03056	1	1	1	
73	302J046160	2J046160	CONN. CORD ASSY S03463	1	1	1	
⊙	74	2FM02180	5MVX221DN020	BUSH REGIST C /B-11 FRAME A3 (FS-4020DN)	1	1	1
75	302F724260	2F724260	SPRING REGIST C (FS-4020DN)	1	1	1	
101	5MBP2012WPLD	E5120120	PARALLEL PIN / M2 X 12 SUS-DP				
102	5MBTPB3014TW++R	B1A53140	BIND T.T SCREW(+)/ M3 X 14 CRFREE S-T				
103	5MBTPB3006TW++R	B1A53060	BIND T.T SCREW(+)/ M3 X 6 CRFREE S-T				
104	5MBTPB4010PW++R	B1A64100	BIND T.T SCREW(+)/ M4 X 10 CRFREE P-T				
105	7BC06062A0A0H01	BC056490	POLY SLIDER WASHER 6.2X10X1.0T				

- Parts with "*" are component parts or sub-assemblies of the assembly appearing immediately above them.
- Parts with "⊙" indicate regular maintenance parts.

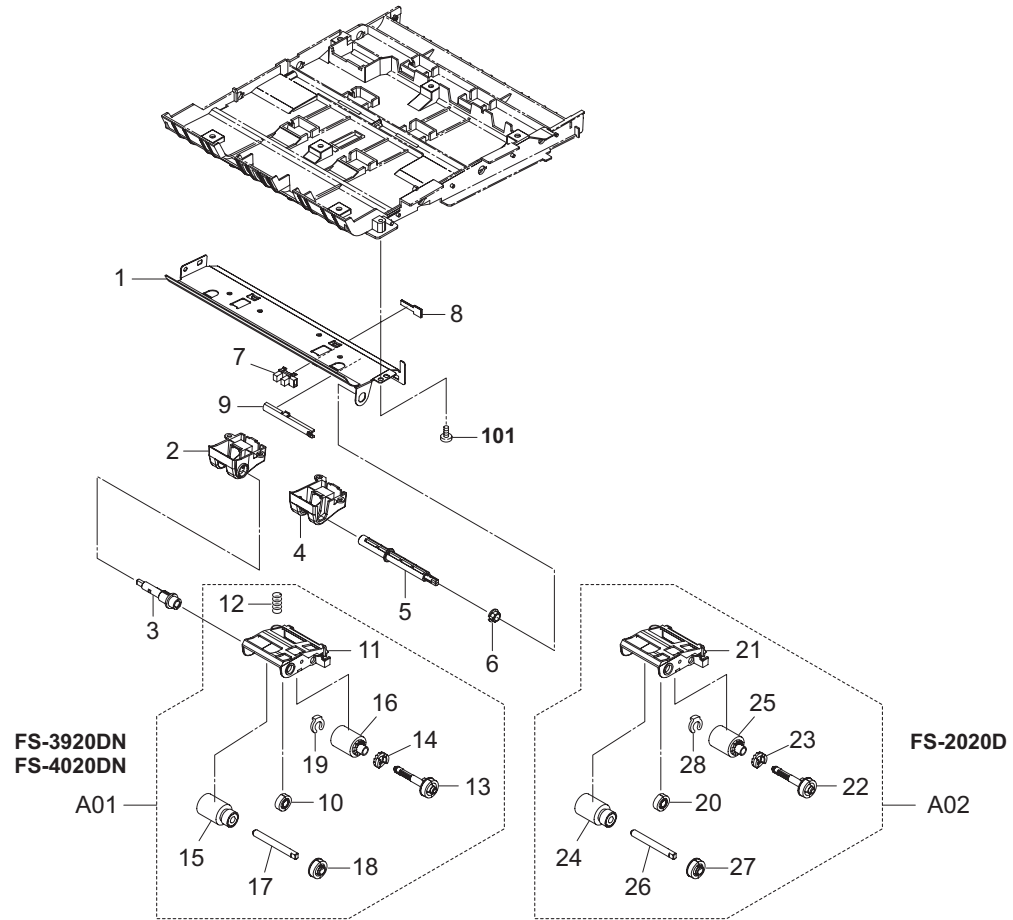


FIG. 7 Paper Feed Section 3

2J0/2J1/2J2

Ref. No.	Part.No.	Alternative.	Description	Quantity			Ref. No.	Part.No.	Alternative.	Description	Quantity		
				120	230	240					120	230	240
1	302F906010	2F906010	GUIDE FEED UP (FS-4020DN/3920DN)	1	1	1	101	5MBTPB4010PW++R	B1A64100	BIND T.T SCREW(+)/ M4 X 10 CRFREE P-T			
2	302F806010	2F806010	GUIDE FEED UP (FS-2020D)	1	1	1							
3	302F906190	2F906190	GUIDE FEED L	1	1	1							
4	302F906110	2F906110	PIN FEED ROLL	1	1	1							
5	302F906200	2F906200	GUIDE FEED R	1	1	1							
6	302F906290	2F906290	SHAFT FEED R	1	1	1							
⊙ 6	2BG22960	2BG22960	BUSH 6	1	1	1							
⊙ 7	7NXTLP1255++H01	NX046610	SENSOR OPT. (FS-4020DN/3920DN)	1	1	1							
8	302F906220	2F906220	STOPPER SENSOR (FS-4020DN/3920DN)	1	1	1							
9	302F906300	2F906300	COVER WIRE (FS-4020DN/3920DN)	1	1	1							
⊙ A01	302F994062	2F994062	FEED HOLDER ASSY (FS-4020DN/3920DN)	1	1	1							
10	*302F906030	2F906030	GEAR FEED Z26H	1	1	1							
11	*302F906060	2F906060	HOLDER FEED	1	1	1							
12	*302F906120	2F906120	SPRING PICK UP	1	1	1							
13	*302F906170	2F906170	JOINT PICKUP A	1	1	1							
14	*302F906180	2F906180	JOINT PICKUP B	1	1	1							
15	*302F906230	2F906230	PULLEY FEED ASSY	1	1	1							
16	*302F906240	2F906240	PULLEY PICKUP ASSY	1	1	1							
17	*302F906272	2F906272	SHAFT FEED L	1	1	1							
18	*302F906280	2F906280	GEAR FEED Z30H	1	1	1							
19	*5MVX111DN003	2A806250	RING STOPPER /A-49 FEED A4	1	1	1							
⊙ A02	302F894042	2F894042	FEED HOLDER ASSY (FS-2020D)	1	1	1							
20	*302F906030	2F906030	GEAR FEED Z26H	1	1	1							
21	*302F906060	2F906060	HOLDER FEED	1	1	1							
22	*302F906170	2F906170	JOINT PICKUP A	1	1	1							
23	*302F906180	2F906180	JOINT PICKUP B	1	1	1							
24	*302F906230	2F906230	PULLEY FEED ASSY	1	1	1							
25	*302F906240	2F906240	PULLEY PICKUP ASSY	1	1	1							
26	*302F906272	2F906272	SHAFT FEED L	1	1	1							
27	*302F906280	2F906280	GEAR FEED Z30H	1	1	1							
28	*5MVX111DN003	2A806250	RING STOPPER /A-49 FEED A4	1	1	1							

- Parts with "*" are component parts or sub-assemblies of the assembly appearing immediately above them.
- Parts with "⊙" indicate regular maintenance parts.

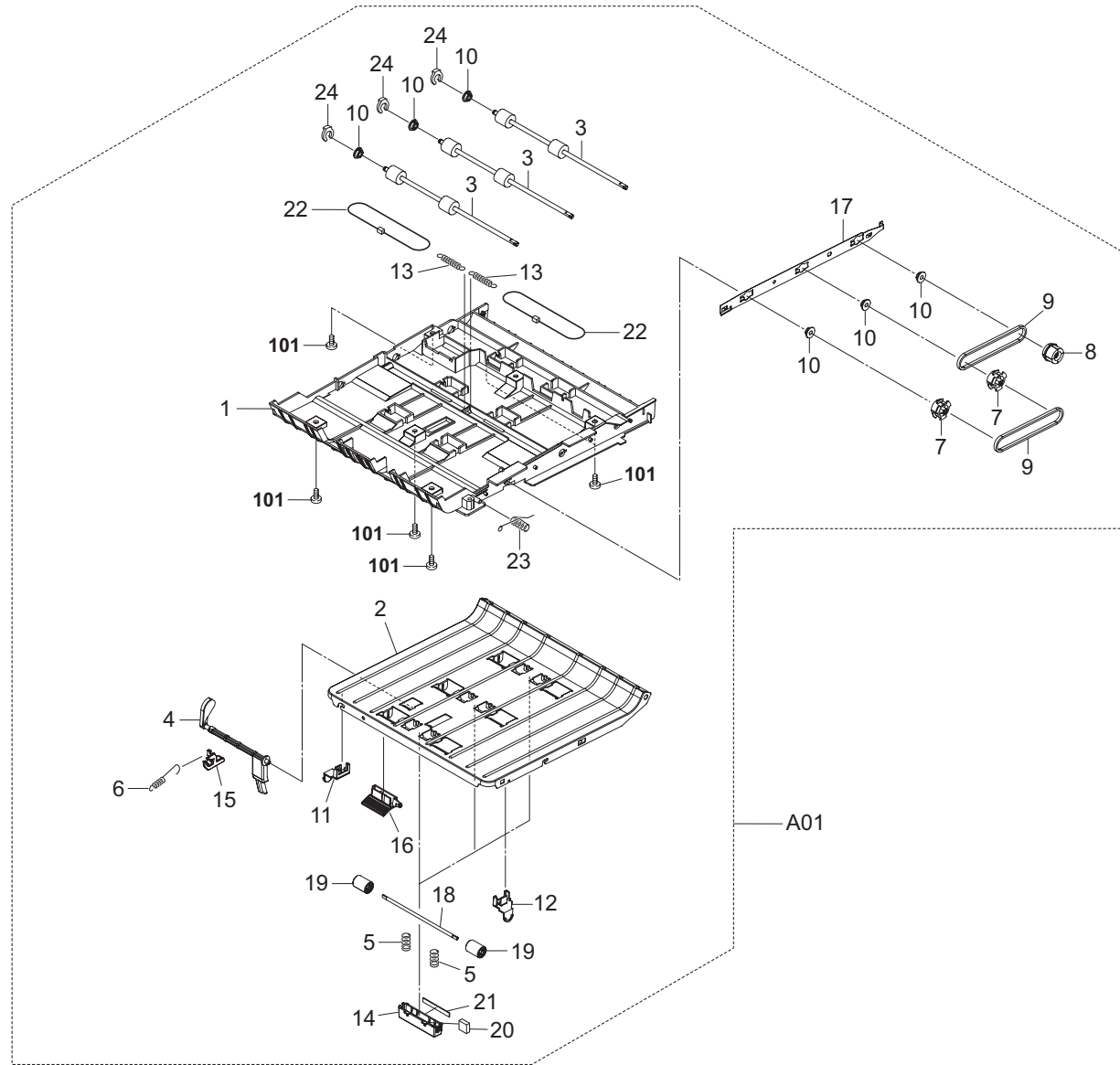


FIG. 8 Paper Feed Section 4

2J0/2J1/2J2

Ref. No.	Part.No.	Alternative.	Description	Quantity		
				120	230	240
⊙ A01	302J094010	2J094010	DU ASSY SP	1	1	1
1	*302F929010	2F929010	BASE DU	1	1	1
2	*302F929021	2F929021	GUIDE DU LOW	1	1	1
⊙ 3	*302F929030	2F929030	ROLLER DU	3	3	3
⊙ 4	*302F929041	2F929041	ACTUATOR PE	1	1	1
5	*302F929070	2F929070	SPRING PULLEY FEED	6	6	6
6	*302F929080	2F929080	SPRING PE RELEASE	1	1	1
⊙ 7	*302F929100	2F929100	PULLEY P25 DU	2	2	2
⊙ 8	*302F929110	2F929110	GEAR Z18S-P25	1	1	1
⊙ 9	*302F929120	2F929120	BELT DU	2	2	2
⊙ 10	*302F929140	2F929140	BUSH DU	6	6	6
⊙ 11	*302F929151	2F929151	LEVER LIFT DU L	1	1	1
⊙ 12	*302F929160	2F929160	LEVER LIFT DU R	1	1	1
13	*302F929170	2F929170	SPRING DU LIFT	2	2	2
14	*302F929180	2F929180	HOLDER DU PULLEY	3	3	3
15	*302F929191	2F929191	BUSH PE	1	1	1
⊙ 16	*302F929200	2F929200	LEVER DU RELEASE	1	1	1
17	*302F929220	2F929220	PLATE EARTH DU	1	1	1
18	*302F929250	2F929250	SHAFT DU LOW	3	3	3
19	*302F929260	2F929260	PULLEY DU LOW	6	6	6
20	*302F929270	2F929270	SEAL HOLDER	3	3	3
21	*302F929280	2F929280	SEAL HOLDER B	3	3	3
22	*302J029010	2J029010	WIRE LIFT DU	2	2	2
23	*302J029020	2J029020	SPRING EARTH DU	1	1	1
24	*5MVX111DN007	2BT11070	STOPPER 3 /2BT1107 A4	3	3	3

Ref. No.	Part.No.	Alternative.	Description	Quantity		
				120	230	240
101	5MBTPB4010PW++R	B1A64100	BIND T.T SCREW(+)/ M4 X 10 CRFREE P-T			

- Parts with "*" are component parts or sub-assemblies of the assembly appearing immediately above them.
- Parts with "⊙" indicate regular maintenance parts.

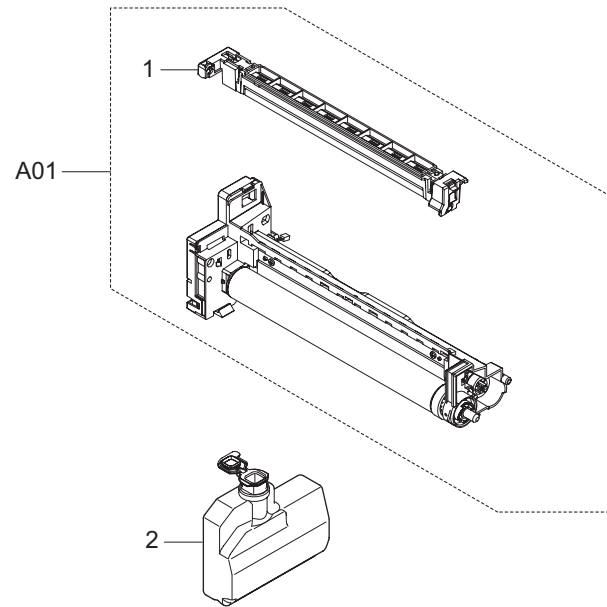


FIG. 9 Image Formation Section

2J0/2J1/2J2

	Ref. No.	Part.No.	Alternative.	Description	Quantity		
					120	230	240
⊙	A01	302J093010	2J093010	DK-320	1	1	1
⊙	1	•302J093090	2J093090	MC-320	1	1	1
⊙	2	302F994091	2F994091	WASTE BOTTLE ASSY	1	1	1

- Parts with "•" are component parts or sub-assemblies of the assembly appearing immediately above them.
- ⊙ Parts with "⊙" indicate regular maintenance parts.

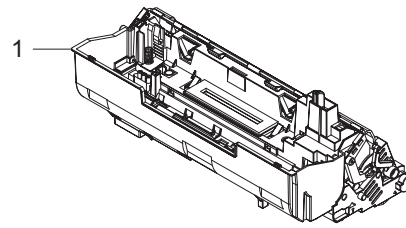


FIG. 10 Developing Section

2J0/2J1/2J2

	Ref. No.	Part.No.	Alternative.	Description	Quantity		
					120	230	240
⊙	1	302J293020	2J293020	DV-362(U) (FS-4020DN)	1		
⊙	1	302J193020	2J193020	DV-352(U) (FS-3920DN)	1		
⊙	1	302J093030	2J093030	DV-342(U) (FS-2020D)	1		
⊙	1	302J293010	2J293010	DV-360(E) (FS-4020DN)		1	
⊙	1	302J193010	2J193010	DV-350(E) (FS-3920DN)		1	
⊙	1	302J093020	2J093020	DV-340(E) (FS-2020D)		1	
⊙	1	302J293030	2J293030	DV-364(AO) (FS-4020DN)			1
⊙	1	302J193030	2J193030	DV-354(AO) (FS-3920DN)			1
⊙	1	302J093040	2J093040	DV-344(AO) (FS-2020D)			1

- Parts with "•" are component parts or sub-assemblies of the assembly appearing immediately above them.
- Parts with "⊙" indicate regular maintenance parts.

FIG. 11 Fuser Section 1 (FS-4020DN/3920DN)

2J0/2J1/2J2

Ref. No.	Part.No.	Alternative.	Description	Quantity			Ref. No.	Part.No.	Alternative.	Description	Quantity		
				120	230	240					120	230	240
⊙ A01	302J193060	2J193060	FK-350(U)	1			49	*302J025030	2J025030	ROD FUSER	2	2	2
⊙ A01	302J193050	2J193050	FK-350(E)		1	1	50	*302J025050	2J025050	BUTTON FUSER	1	1	1
1	*302F325010	2F325010	STUD SCREW M3	2	2	2	51	*302J025060	2J025060	PLATE PRESS L	1	1	1
2	*302F725401	2F725401	CAP SEPARATOR	2	2	2	52	*302J025070	2J025070	PLATE PRESS R	1	1	1
3	*302F725500	2F725500	SHEET FUSER HEATER	1	1	1	53	*302J025080	2J025080	SPRING PRESS	2	2	2
4	*302F909200	2F909200	SPRING RETARD	1	1	1	⊙ 54	*302J025120	2J025120	ROLLER PRESS	1	1	1
5	*302F925040	2F925040	GUIDE FACE UP	1	1	1	⊙ 55	*302J025140	2J025140	HEATER LAMP U	1		
⊙ 6	*302F925060	2F925060	ACTUATOR SOL	1	1	1	⊙ 55	*302J025130	2J025130	HEATER LAMP E		1	1
⊙ 7	*302F925090	2F925090	GEAR INPUT	1	1	1	⊙ 56	*302J025160	2J025160	ROLLER HEAT	1	1	1
⊙ 8	*302F925100	2F925100	GEAR HEAT Z46	1	1	1	57	*302J025170	2J025170	GUIDE EXIT UP	1	1	1
⊙ 9	*302F925130	2F925130	GEAR IDLE Z36	1	1	1	58	*302J025190	2J025190	GUIDE EXIT LOW	1	1	1
⊙ 10	*302F925140	2F925140	GEAR EXIT Z21	1	1	1	59	*302J025210	2J025210	BUSH PRESS B	2	2	2
⊙ 11	*302F925171	2F925171	ACTUATOR EXIT	1	1	1	60	*302J025220	2J025220	SHAFT ROD	2	2	2
12	*302F925200	2F925200	PLATE CORD	1	1	1	61	*302J025230	2J025230	SPRING PRESS ENV	2	2	2
13	*302F925211	2F925211	PLATE EARTH FUSER	1	1	1	62	*302J025240	2J025240	BUTTON FUSER B	1	1	1
14	*302F925230	2F925230	PLATE EARTH PRESS	1	1	1	63	*302J046210	2J046210	CONN. CORD ASSY S03468	1	1	1
15	*302F925250	2F925250	PLATE EARTH EXIT	1	1	1	⊙ 64	*302J125020	2J125020	THERMISTOR ASSY	1	1	1
⊙ 16	*302F925280	2F925280	BEARING HEAT	2	2	2	65	*302J146050	2J146050	CONN. CORD ASSY S03476	1	1	1
17	*302F925310	2F925310	SHAFT EXIT	1	1	1	66	*302J146070	2J146070	CONN. CORD ASSY S03478	1		
18	*302F925320	2F925320	MOUNT GEAR	1	1	1	66	*302J146080	2J146080	CONN. CORD ASSY S03479		1	1
19	*302F925340	2F925340	SPRING EXIT	1	1	1	67	*5MMS111SL002	2BY20050	NUT FUSER A /FS-1800/3800 A4	4	4	4
20	*302F925360	2F925360	SPRING ACTUATOR EXIT	1	1	1	68	*5MMW261LJ032	2BM21060	SPRING SOL /Q1007 A4	1	1	1
21	*302F925390	2F925390	STOPPER HEAT ROLLER	2	2	2	69	*5MVM111RB002	2BR20450	RUBBER PIN /40301P0041 A4	1	1	1
22	*302F925530	2F925530	RING BEARING	2	2	2	⊙ 70	*5MVM188XN014	2BS20230	BUSH PRESS /A-03 A4	2	2	2
⊙ 23	*302F925570	2F925570	BUSH EXIT	1	1	1	71	*5MVS862XF005	2FP20200	SHEET DISCHARGER /FS-1920/3830 A4	1	1	1
24	*302F925610	2F925610	PIN MOUNT GEAR	1	1	1	72	*5MVL611WN06	2FV20100	LABEL FUSER CAUTION	1	1	1
⊙ 25	*302F925650	2F925650	THERMISTOR ASSY	2	2	2	73	*5MVX222XN002	2A820530	SEPARATOR /40301P0028 A4	4	4	4
⊙ 26	*302F925660	2F925660	BUSHING HEAT ROLLER	2	2	2	⊙ 74	*7NXTLP1255++H01	NX046610	SENSOR OPT.	2	2	2
27	*302F925711	2F925711	GUIDE CHANGE	2	2	2							
28	*302F925720	2F925720	CAP SEPARATOR	1	1	1							
29	*302F925730	2F925730	COVER CORD	1	1	1							
30	*302F925770	2F925770	SPRING EARTH HEAT	1	1	1							
31	*302F925800	2F925800	SPRING SEPARATOR	4	4	4							
32	*302F925821	2F925821	SPRING EARTH	1	1	1	101	7BC00060D0A+H01	BC038230	WASHER M6X13X1T			
33	*302F925830	2F925830	SHEET FUSER A	2	2	2	102	7BB002304H	BB045310	TP SCREW M3X4			
34	*302F925880	2F925880	LID FUSER	1	1	1	103	5MBTPB3012PW+++R	B1A63120	BIND T.T SCREW(+)/ M3 X 12 CRFREE P-T			
35	*302F925901	2F925901	CAP SPRING EXIT	1	1	1	104	5MBTPB4010PW+++R	B1A64100	BIND T.T SCREW(+)/ M4 X 10 CRFREE P-T			
⊙ 36	*302F925910	2F925910	DISCHARGER FUSER	1	1	1	105	5MBP2514WXSP	E0025250	SPRING PIN /M2.5 X 14 S-BLK			
⊙ 37	*302F925950	2F925950	SHEET SENSOR	1	1	1	106	B1B03080	B1B03080	+BIND SCREW M3X08			
⊙ 38	*302F926070	2F926070	PULLEY EXIT PFA	2	2	2							
⊙ 39	*302F929140	2F929140	BUSH DU	1	1	1							
⊙ 40	*302F944090	2F944090	SOLENOID ASSY	1	1	1							
⊙ 41	*302FP25110	2FP25110	THERMOSTAT 250V 170C	1	1	1							
42	*302HN25350	2HN25350	LABEL EXIT	1	1	1							
43	*302HS25250	2HS25250	GEAR Z29S FUSER	1	1	1							
⊙ 44	*302HW25040	2HW25040	ROLLER EXIT	1	1	1							
45	*302J101100	2J101100	P.W.BOARD ASSY FUSER-L	1	1	1							
46	*302J101110	2J101110	P.W.BOARD ASSY FUSER-R	1	1	1							
47	*302J025010	2J025010	FRAME FUSER UP	1	1	1							
48	*302J025020	2J025020	FRAME FUSER LOW	1	1	1							

- Parts with "*" are component parts or sub-assemblies of the assembly appearing immediately above them.
- Parts with "⊙" indicate regular maintenance parts.

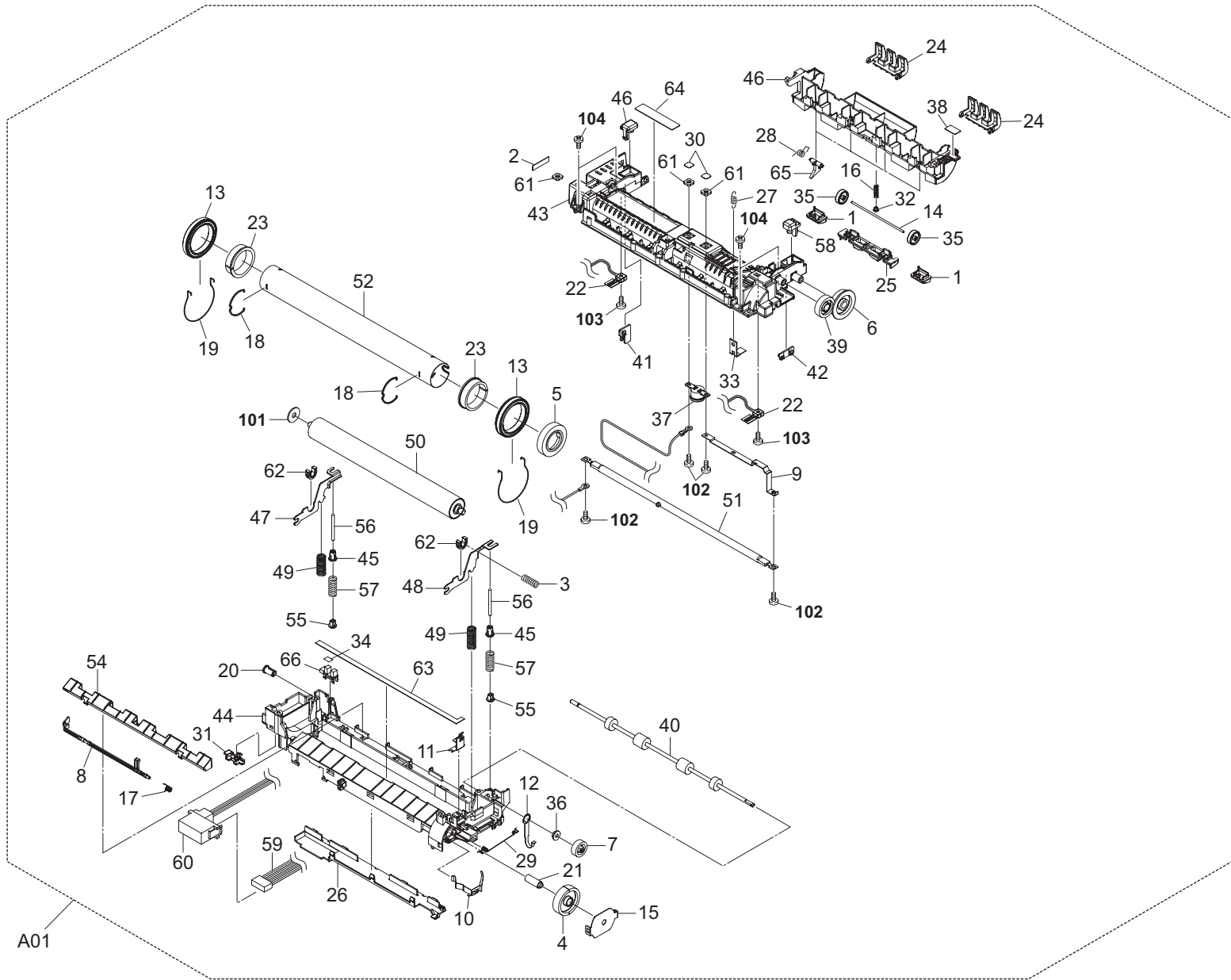


FIG. 11 Fuser Section 1 (FS-2020D)

2J0/2J1/2J2

	Ref. No.	Part.No.	Alternative.	Description	Quantity			Ref. No.	Part.No.	Alternative.	Description	Quantity			
					120	230	240					120	230	240	
⊙	A01	302J093070	2J093070	FK-340(U)	1			49	*302J025080	2J025080	SPRING PRESS	2	2	2	
⊙	A01	302J093060	2J093060	FK-340(E)		1	1	50	*302J025120	2J025120	ROLLER PRESS	1	1	1	
	1	*302F725401	2F725401	CAP SEPARATOR	2	2	2	⊙	51	*302J025140	2J025140	HEATER LAMP U	1		
	2	*302F725500	2F725500	SHEET FUSER HEATER	1	1	1	⊙	51	*302J025130	2J025130	HEATER LAMP E		1	1
	3	*302F909200	2F909200	SPRING RETARD	1	1	1	⊙	52	*302J025160	2J025160	ROLLER HEAT	1	1	1
⊙	4	*302F925090	2F925090	GEAR INPUT	1	1	1	53	*302J025170	2J025170	GUIDE EXIT UP	1	1	1	
⊙	5	*302F925100	2F925100	GEAR HEAT Z46	1	1	1	54	*302J025190	2J025190	GUIDE EXIT LOW	1	1	1	
⊙	6	*302F925130	2F925130	GEAR IDLE Z36	1	1	1	55	*302J025210	2J025210	BUSH PRESS B	2	2	2	
⊙	7	*302F925140	2F925140	GEAR EXIT Z21	1	1	1	56	*302J025220	2J025220	SHAFT ROD	2	2	2	
⊙	8	*302F925171	2F925171	ACTUATOR EXIT	1	1	1	57	*302J025230	2J025230	SPRING PRESS ENV	2	2	2	
	9	*302F925200	2F925200	PLATE CORD	1	1	1	58	*302J025240	2J025240	BUTTON FUSER B	1	1	1	
	10	*302F925211	2F925211	PLATE EARTH FUSER	1	1	1	59	*302J046210	2J046210	CONN. CORD ASSY S03468	1	1	1	
	11	*302F925230	2F925230	PLATE EARTH PRESS	1	1	1	60	*302J146070	2J146070	CONN. CORD ASSY S03478	1			
	12	*302F925250	2F925250	PLATE EARTH EXIT	1	1	1	60	*302J146080	2J146080	CONN. CORD ASSY S03479		1	1	
⊙	13	*302F925280	2F925280	BEARING HEAT	2	2	2	61	*5MMS111SL002	2BY20050	NUT FUSER A /FS-1800/3800 A4	3	3	3	
	14	*302F925310	2F925310	SHAFT EXIT	1	1	1	⊙	62	*5MVM188XN014	2BS20230	BUSH PRESS /A-03 A4	2	2	2
	15	*302F925320	2F925320	MOUNT GEAR	1	1	1	63	*5MVS862XF005	2FP20200	SHEET DISCHARGER /FS-1920/3830 A4	1	1	1	
	16	*302F925340	2F925340	SPRING EXIT	1	1	1	64	*5MVVL611WN06	2FV20100	LABEL FUSER CAUTION	1	1	1	
	17	*302F925360	2F925360	SPRING ACTUATOR EXIT	1	1	1	⊙	65	*5MVX222XN002	2A820530	SEPARATOR /40301P0028 A4	4	4	4
	18	*302F925390	2F925390	STOPPER HEAT ROLLER	2	2	2	66	*7NXTLP1255++H01	NX046610	SENSOR OPT.	1	1	1	
	19	*302F925530	2F925530	RING BEARING	2	2	2								
⊙	20	*302F925570	2F925570	BUSH EXIT	1	1	1								
	21	*302F925610	2F925610	PIN MOUNT GEAR	1	1	1								
⊙	22	*302F925650	2F925650	THERMISTOR ASSY	2	2	2								
⊙	23	*302F925660	2F925660	BUSHING HEAT ROLLER	2	2	2								
	24	*302F925711	2F925711	GUIDE CHANGE	2	2	2	101	7BC00060D0A+H01	BC038230	WASHER M6X13X1T				
	25	*302F925720	2F925720	CAP SEPARATOR	1	1	1	102	7BB002304H	BB045310	TP SCREW M3X4				
	26	*302F925730	2F925730	COVER CORD	1	1	1	103	5MBTPB3012PW++R	B1A63120	BIND T.T SCREW(+)/ M3 X 12 CRFREE P-T				
	27	*302F925770	2F925770	SPRING EARTH HEAT	1	1	1	104	5MBTPB4010PW++R	B1A64100	BIND T.T SCREW(+)/ M4 X 10 CRFREE P-T				
	28	*302F925800	2F925800	SPRING SEPARATOR	4	4	4								
	29	*302F925821	2F925821	SPRING EARTH	1	1	1								
	30	*302F925830	2F925830	SHEET FUSER A	2	2	2								
	31	*302F925880	2F925880	LID FUSER	1	1	1								
	32	*302F925901	2F925901	CAP SPRING EXIT	1	1	1								
⊙	33	*302F925910	2F925910	DISCHARGER FUSER	1	1	1								
⊙	34	*302F925950	2F925950	SHEET SENSOR	1	1	1								
⊙	35	*302F926070	2F926070	PULLEY EXIT PFA	2	2	2								
⊙	36	*302F929140	2F929140	BUSH DU	1	1	1								
⊙	37	*302FP25110	2FP25110	THERMOSTAT 250V 170C	1	1	1								
	38	*302HN25350	2HN25350	LABEL EXIT	1	1	1								
	39	*302HS25250	2HS25250	GEAR Z29S FUSER	1	1	1								
⊙	40	*302HW25040	2HW25040	ROLLER EXIT	1	1	1								
	41	*302J001110	2J001110	P.W.BOARD ASSY FUSER-L	1	1	1								
	42	*302J001120	2J001120	P.W.BOARD ASSY FUSER-R	1	1	1								
	43	*302J025010	2J025010	FRAME FUSER UP	1	1	1								
	44	*302J025020	2J025020	FRAME FUSER LOW	1	1	1								
	45	*302J025030	2J025030	ROD FUSER	2	2	2								
	46	*302J025050	2J025050	BUTTON FUSER	1	1	1								
	47	*302J025060	2J025060	PLATE PRESS L	1	1	1								
	48	*302J025070	2J025070	PLATE PRESS R	1	1	1								

- Parts with "*" are component parts or sub-assemblies of the assembly appearing immediately above them.
- Parts with "⊙" indicate regular maintenance parts.

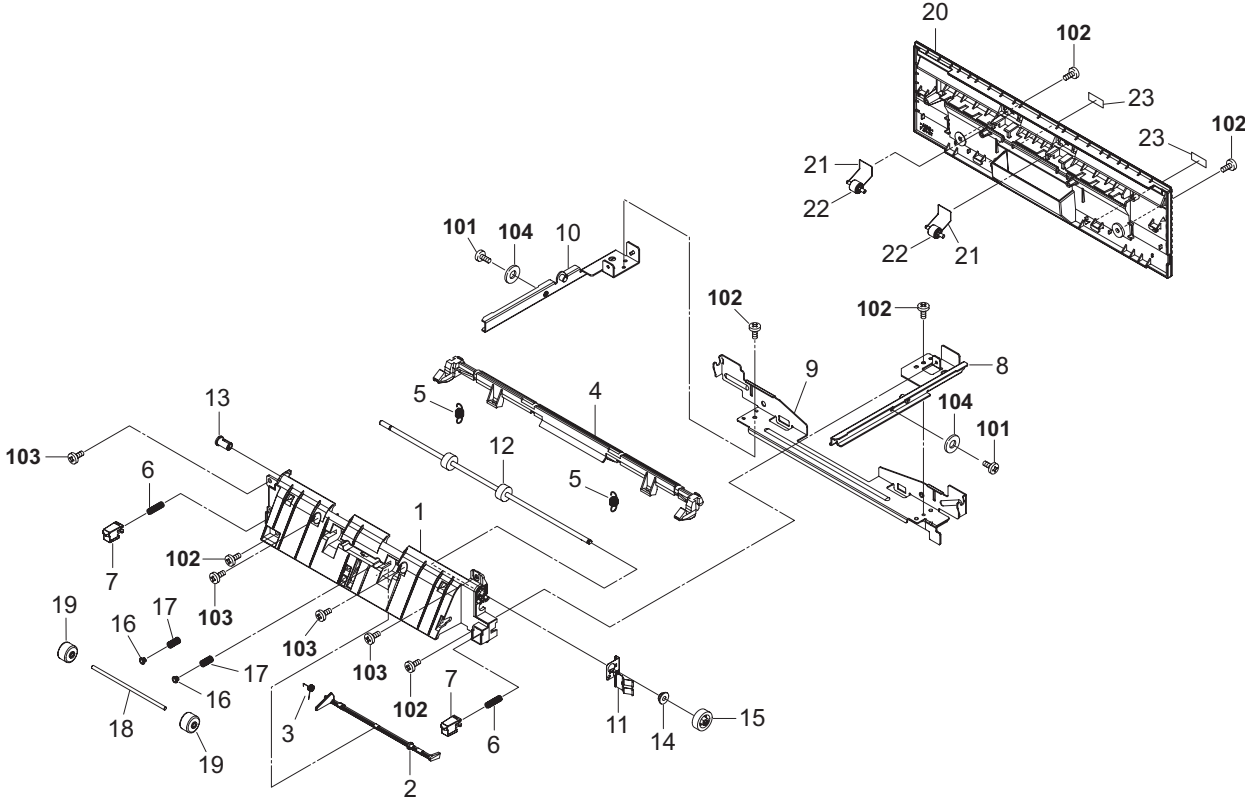


FIG. 12 Fuser Section 2 (FS-4020DN/3920DN)

2J0/2J1/2J2

Ref. No.	Part.No.	Alternative.	Description	Quantity			Ref. No.	Part.No.	Alternative.	Description	Quantity		
				120	230	240					120	230	240
1	302F925031	2F925031	GUIDE DU	1	1	1	101	5MBTPB3004TW++R	B1B53040	BIND T.T SCREW(+)/ M3 X 4 CRFREE S-T			
2	302F925180	2F925180	ACTUATOR DU	1	1	1	102	5MBTPB3006TW++R	B1A53060	BIND T.T SCREW(+)/ M3 X 6 CRFREE S-T			
3	302F925371	2F925371	SPRING ACTUATOR DU	1	1	1	103	5MBTPB3008PW++R	B1A63080	BIND T.T SCREW(+)/ M3 X 8 CRFREE P-T			
4	302J025200	2J025200	LEVER FUSER RELEASE	1	1	1	104	5MBWK32808NN	C2803080	POLY SLIDER /M3.2X 8 X0.8T XX			
5	302F925750	2F925750	SPRING FUSER RELEASE	2	2	2							
6	302F925560	2F925560	SPRING LOCK	2	2	2							
7	302F925550	2F925550	LOCK FUSER	2	2	2							
8	302F925440	2F925440	INNER RAIL R	1	1	1							
9	302F925760	2F925760	PLATE RAIL FIX	1	1	1							
10	302F925450	2F925450	INNER RAIL L	1	1	1							
11	302F925260	2F925260	PLATE EARTH FACE UP	1	1	1							
12	302F925300	2F925300	ROLLER FACE UP	1	1	1							
13	302FV02470	2FV02470	BUSH FD	1	1	1							
14	302F929140	2F929140	BUSH DU	1	1	1							
15	302F925140	2F925140	GEAR EXIT Z21	1	1	1							
16	2FM04150	5MVM163DN005	CAP SPRING /B-11 ENCLOSURE A4	2	2	2							
17	302F925780	2F925780	SPRING DU	2	2	2							
18	302F929060	2F929060	SHAFT FEED DU	1	1	1							
19	302F926060	2F926060	PULLEY SWITCH BACK	2	2	2							
20	302J125010	2J125010	COVER REAR	1	1	1							
21	302F925350	2F925350	SPRING FACE UP	2	2	2							
22	302F925160	2F925160	PULLEY FACE UP	2	2	2							
23	302J034050	2J034050	LABEL PUSH	2	2	2							

- Parts with "*" are component parts or sub-assemblies of the assembly appearing immediately above them.
- Parts with "⊙" indicate regular maintenance parts.

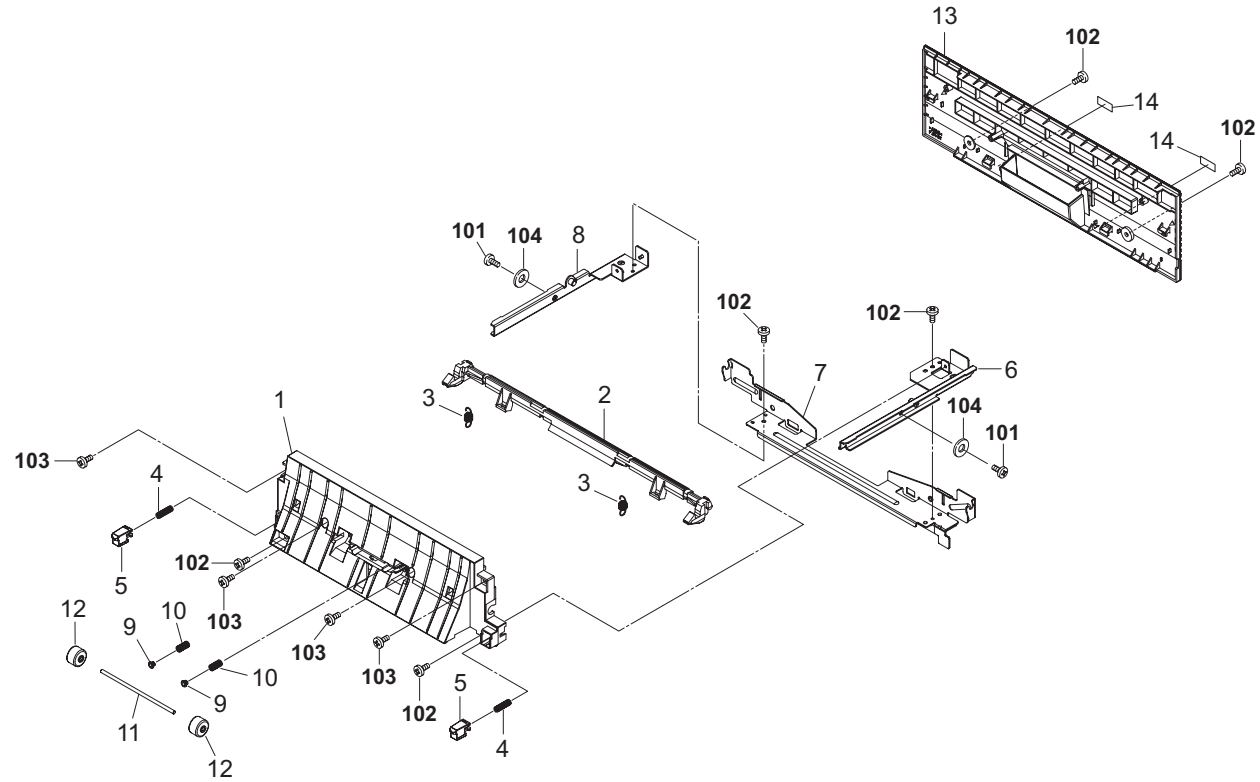


FIG. 12 Fuser Section 2 (FS-2020D)

2J0/2J1/2J2

	Ref. No.	Part.No.	Alternative.	Description	Quantity		
					120	230	240
	1	302F825030	2F825030	GUIDE DU	1	1	1
⊙	2	302J025200	2J025200	LEVER FUSER RELEASE	1	1	1
	3	302F925750	2F925750	SPRING FUSER RELEASE	2	2	2
	4	302F925560	2F925560	SPRING LOCK	2	2	2
⊙	5	302F925550	2F925550	LOCK FUSER	2	2	2
⊙	6	302F925440	2F925440	INNER RAIL R	1	1	1
	7	302F925760	2F925760	PLATE RAIL FIX	1	1	1
⊙	8	302F925450	2F925450	INNER RAIL L	1	1	1
	9	2FM04150	5MVM163DN005	CAP SPRING /B-11 ENCLOSURE A4	2	2	2
	10	302F925780	2F925780	SPRING DU	2	2	2
	11	302F929060	2F929060	SHAFT FEED DU	1	1	1
	12	302F926060	2F926060	PULLEY SWITCH BACK	2	2	2
⊙	13	302J025090	2J025090	COVER REAR	1	1	1
⊙	14	302J034050	2J034050	LABEL PUSH	2	2	2

	Ref. No.	Part.No.	Alternative.	Description	Quantity		
					120	230	240
	101	5MBTPB3004TW++R	B1B53040	BIND T.T SCREW(+)/ M3 X 4 CRFREE S-T			
	102	5MBTPB3006TW++R	B1A53060	BIND T.T SCREW(+)/ M3 X 6 CRFREE S-T			
	103	5MBTPB3008PW++R	B1A63080	BIND T.T SCREW(+)/ M3 X 8 CRFREE P-T			
	104	5MBWK32808NN	C2803080	POLY SLIDER /M3.2X 8 X0.8T XX			

- Parts with "•" are component parts or sub-assemblies of the assembly appearing immediately above them.
- Parts with "⊙" indicate regular maintenance parts.

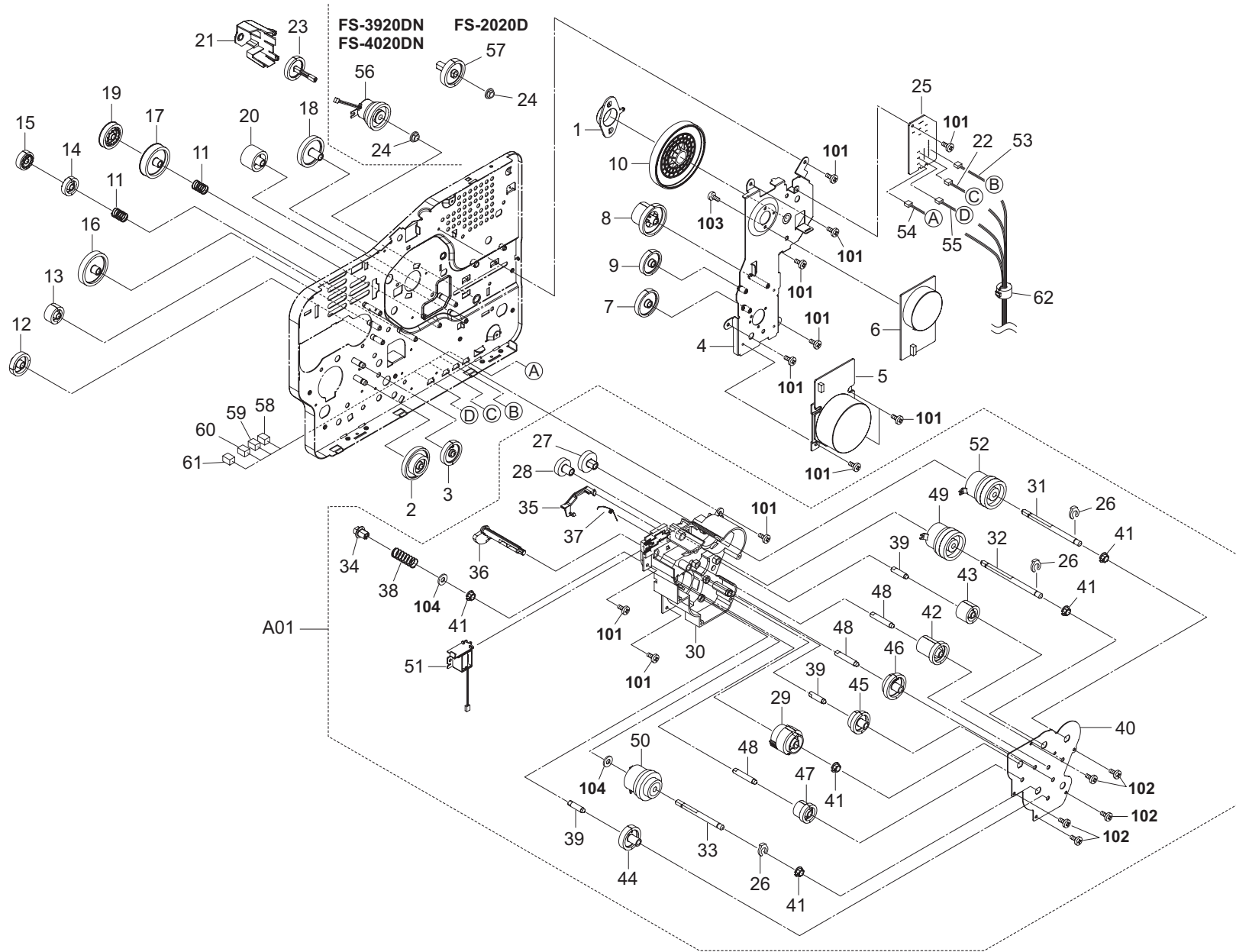


FIG. 13 Drive Section

2J0/2J1/2J2

Ref. No.	Part.No.	Alternative.	Description	Quantity		
				120	230	240
⊙ 1	302F831060	2F831060	BUSH DRUM	1	1	1
⊙ 2	302F931110	2F931110	GEAR Z95H Z28H	1	1	1
⊙ 3	302F931500	2F931500	GEAR FEED Z34H	1	1	1
⊙ 4	302J031010	2J031010	PLATE DRIVE D	1	1	1
⊙ 5	302J031020	2J031020	MOTOR MAIN Z16	1	1	1
⊙ 6	302J031030	2J031030	MOTOR DRUM Z16	1	1	1
⊙ 7	302F931020	2F931020	GEAR Z77H	1	1	1
⊙ 8	302F931040	2F931040	GEAR Z90H Z30H	1	1	1
⊙ 9	302F931030	2F931030	GEAR Z70H	1	1	1
⊙ 10	302F931590	2F931590	GEAR Z191H	1	1	1
⊙ 11	302F931270	2F931270	SPRING FUSER	2	2	2
⊙ 12	302F931200	2F931200	GEAR DLP Z32H	1	1	1
⊙ 13	302F931290	2F931290	GEAR DLP Z24H	1	1	1
⊙ 14	302F931300	2F931300	GEAR DLP JOINT Z25H	1	1	1
⊙ 15	302F931310	2F931310	GEAR DLP Z25H	1	1	1
⊙ 16	302F931050	2F931050	GEAR Z48H	1	1	1
⊙ 17	302F931060	2F931060	GEAR Z46H	1	1	1
⊙ 18	302F931080	2F931080	GEAR Z45S	1	1	1
⊙ 19	302F931070	2F931070	GEAR Z37S	1	1	1
⊙ 20	302F931090	2F931090	GEAR Z30S	1	1	1
⊙ 21	302F931320	2F931320	HOLDER DU	1	1	1
22	302J046120	2J046120	CONN. CORD ASSY S03459	1	1	1
⊙ 23	302F931100	2F931100	GEAR Z34S	1	1	1
⊙ 24	302F931490	2F931490	BUSH FEED DRIVE	1	1	1
⊙ 25	302J101050	2J101050	P.W.BOARD ASSY CONNECT-R (FS-4020DN/3920DN)	1	1	1
⊙ 25	302J001100	2J001100	P.W.BOARD ASSY CONNECT-R (FS-2020D)	1	1	1
⊙ A01	302F994031	2F994031	FEED DRIVE ASSY SP	1	1	1
26	*2BC06980	2BC06980	STOPPER 5	3	3	3
⊙ 27	*302F931130	2F931130	GEAR REGIST Z28H	1	1	1
⊙ 28	*302F931160	2F931160	GEAR FEED CLUTCH Z23H	1	1	1
⊙ 29	*302F931180	2F931180	GEAR MPF Z37S	1	1	1
30	*302F931221	2F931221	HOUSING FEED DRIVE B	1	1	1
31	*302F931251	2F931251	SHAFT REGIST	1	1	1
32	*302F931261	2F931261	SHAFT MID FEED	1	1	1
33	*302F931340	2F931340	SHAFT CASSETTE	1	1	1
34	*302F931350	2F931350	JOINT SHAFT CASSETTE	1	1	1
⊙ 35	*302F931360	2F931360	LEVER MPF LIFT	1	1	1
⊙ 36	*302F931371	2F931371	CAM MPF LIFT	1	1	1
37	*302F931380	2F931380	SPRING MPF CAM	1	1	1
38	*302F931450	2F931450	SPRING FEED	1	1	1
39	*302F931460	2F931460	PIN IDLE FEED	3	3	3
40	*302F931480	2F931480	PLATE FEED DRIVE	1	1	1
⊙ 41	*302F931490	2F931490	BUSH FEED DRIVE	5	5	5
⊙ 42	*302F931510	2F931510	GEAR FEED Z23HZ31H	1	1	1
⊙ 43	*302F931520	2F931520	GEAR FEED Z25H	1	1	1
⊙ 44	*302F931530	2F931530	GEAR FEED Z33H	1	1	1
⊙ 45	*302F931540	2F931540	GEAR FEED Z31HZ24H	1	1	1
⊙ 46	*302F931550	2F931550	GEAR FEED Z36HZ27H	1	1	1

Ref. No.	Part.No.	Alternative.	Description	Quantity		
				120	230	240
⊙ 47	*302F931560	2F931560	GEAR FEED Z26H Z22S	1	1	1
48	*302F931570	2F931570	PIN IDLE FEED A	3	3	3
⊙ 49	*302F944200	2F944200	CLUTCH MID FEED	1	1	1
⊙ 50	*302F944210	2F944210	CLUTCH CASSETTE	1	1	1
⊙ 51	*302F944060	2F944060	SOLENOID MPF	1	1	1
⊙ 52	*302F944220	2F944220	CLUTCH REGIST	1	1	1
53	302J046070	2J046070	CONN. CORD ASSY S03454	1	1	1
54	302F946050	2F946050	CONN.CORD ASSY S03098 (FS-4020DN/3920DN)	1	1	1
55	302F946060	2F946060	CONN.CORD ASSY S03100 (FS-4020DN/3920DN)	1	1	1
⊙ 56	302F944040	2F944040	CLUTCH DUPLEX (FS-4020DN/3920DN)	1	1	1
⊙ 57	302F831040	2F831040	GEAR DU (FS-2020D)	1	1	1
58	7YCC02B1003+H01	YC013860	CONNECTOR 292254-2 (FS-4020DN/3920DN)	1	1	1
59	7YCC02B1007+H01	YC014270	CONNECTOR	1	1	1
60	7YCC02B1111+H01	YC045130	CONNECTOR	1	1	1
61	7YCC02B1005+H01	YC013990	CONNECTOR 2-292254-2 (FS-4020DN/3920DN)	1	1	1
62	7YBER0R0E001H01	YB045410	FERRITE CORE	1	1	1
101	5MBTPB3006TW++R	B1A53060	BIND T.T SCREW(+)/ M3 X 6 CRFREE S-T			
102	5MBTPB3008PW++R	B1A63080	BIND T.T SCREW(+)/ M3 X 8 CRFREE P-T			
103	B1B03040	B1B03040	+BIND SCREW M3X04(TRIVALENT CHROMATIN			
104	C2806120	C2806120	POLYESTER SLIDER WASHER 6.2X12X0.5T			

- Parts with "*" are component parts or sub-assemblies of the assembly appearing immediately above them.
- Parts with "⊙" indicate regular maintenance parts.

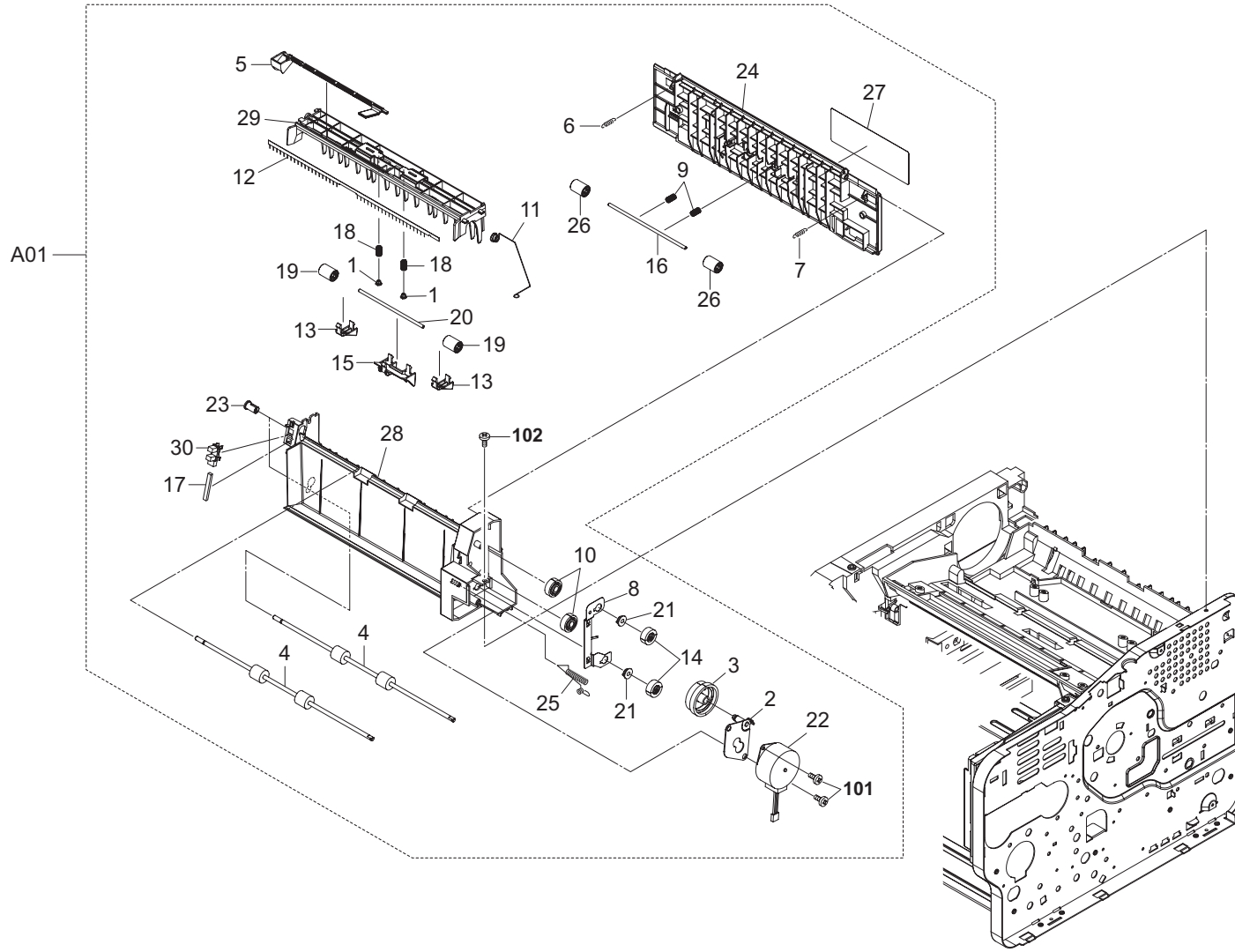


FIG. 14 Exit Section (FS-4020DN/3920DN)

2J0/2J1/2J2

Ref. No.	Part.No.	Alternative.	Description	Quantity			Ref. No.	Part.No.	Alternative.	Description	Quantity		
				120	230	240					120	230	240
⊙ A01	302J194010	2J194010	FD ASSY SP	1	1	1	101	5MBSPP3006NW++R	B0B03060	PAN HEAD SCREW(+)/ M3 X 6 CRFREE			
1	*2FM04150	5MVM163DN005	CAP SPRING /B-11 ENCLOSURE A4	2	2	2	102	B1A54080	B1A54080	+BIND TAP-TITE S SCREW M4X08			
2	*302F928040	2F928040	PLATE MOTOR	1	1	1							
⊙ 3	*302F928050	2F928050	GEAR Z66HZ36H	1	1	1							
⊙ 4	*302F928070	2F928070	ROLLER FD UP	2	2	2							
⊙ 5	*302F928100	2F928100	ACTUATOR OVERFLOW	1	1	1							
6	*302F928130	2F928130	SPRING COVER FD L	1	1	1							
7	*302F928140	2F928140	SPRING COVER FD R	1	1	1							
8	*302F928150	2F928150	EARTH PLATE ROLLER 35	1	1	1							
9	*302F928170	2F928170	SPRING PULLEY	2	2	2							
⊙ 10	*302F928180	2F928180	GEAR Z20H	2	2	2							
11	*302F928231	2F928231	SPRING DISCHARGER	1	1	1							
⊙ 12	*302F928240	2F928240	DISCHARGER FD	1	1	1							
13	*302F928250	2F928250	GUIDE CORRUGATION	2	2	2							
⊙ 14	*302F928260	2F928260	GEAR Z18H FD35	2	2	2							
15	*302F928271	2F928271	GUIDE PULLEY	1	1	1							
16	*302F928290	2F928290	SHAFT EJECT PULLEY	1	1	1							
17	*302F928300	2F928300	SPONGE EXIT	1	1	1							
18	*302F928310	2F928310	SPRING PULLEY 35	2	2	2							
⊙ 19	*302F929050	2F929050	PULLEY FEED DU	2	2	2							
20	*302F929060	2F929060	SHAFT FEED DU	1	1	1							
⊙ 21	*302F929140	2F929140	BUSH DU	2	2	2							
⊙ 22	*302F944130	2F944130	MOTOR EJECT	1	1	1							
⊙ 23	*302FV02470	2FV02470	BUSH FD	2	2	2							
⊙ 24	*302J028010	2J028010	COVER FD	1	1	1							
25	*302J028020	2J028020	SPRING EARTH A	1	1	1							
⊙ 26	*302J029040	2J029040	PULLEY FEED DU	2	2	2							
27	*302J034060	2J034060	LABEL OPERATION ENVELOPE	1	1	1							
28	*302J128010	2J128010	GUIDE VERTICAL 35	1	1	1							
29	*302J128020	2J128020	GUIDE EJECT 35	1	1	1							
⊙ 30	*7NXTLP1255++H01	NX046610	SENSOR OPT.	1	1	1							

- Parts with "*" are component parts or sub-assemblies of the assembly appearing immediately above them.
- Parts with "⊙" indicate regular maintenance parts.

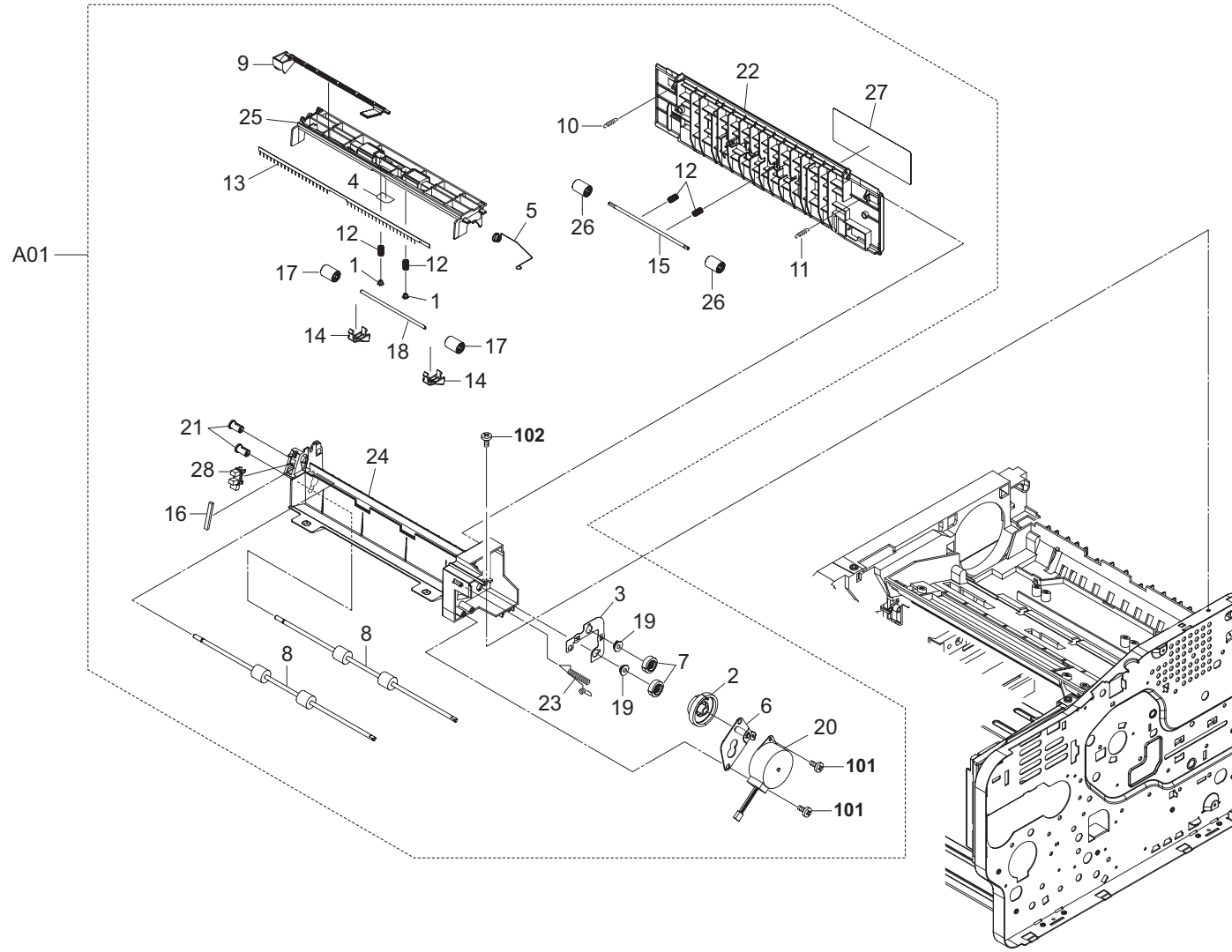


FIG. 14 Exit Section (FS-2020D)

2J0/2J1/2J2

Ref. No.	Part.No.	Alternative.	Description	Quantity			Ref. No.	Part.No.	Alternative.	Description	Quantity		
				120	230	240					120	230	240
⊙ A01	302J094020	2J094020	FD ASSY SP	1	1	1	101	5MBSPP3006NW++R	B0B03060	PAN HEAD SCREW(+)/ M3 X 6 CRFREE			
1	*2FM04150	5MVM163DN005	CAP SPRING /B-11 ENCLOSURE A4	2	2	2	102	B1A54080	B1A54080	+BIND TAP-TITE S SCREW M4X08			
⊙ 2	*302F828030	2F828030	GEAR Z66HZ25H	1	1	1							
3	*302F828070	2F828070	EARTH PLATE EJECT	1	1	1							
4	*302F828120	2F828120	FILM EJECT	1	1	1							
5	*302F828131	2F828131	SPRING DISCHARGER	1	1	1							
6	*302F928040	2F928040	PLATE MOTOR	1	1	1							
⊙ 7	*302F928060	2F928060	GEAR Z18H FD	2	2	2							
⊙ 8	*302F928070	2F928070	ROLLER FD UP	2	2	2							
⊙ 9	*302F928100	2F928100	ACTUATOR OVERFLOW	1	1	1							
10	*302F928130	2F928130	SPRING COVER FD L	1	1	1							
11	*302F928140	2F928140	SPRING COVER FD R	1	1	1							
12	*302F928170	2F928170	SPRING PULLEY	4	4	4							
⊙ 13	*302F928240	2F928240	DISCHARGER FD	1	1	1							
14	*302F928250	2F928250	GUIDE CORRUGATION	2	2	2							
15	*302F928290	2F928290	SHAFT EJECT PULLEY	1	1	1							
16	*302F928300	2F928300	SPONGE EXIT	1	1	1							
⊙ 17	*302F929050	2F929050	PULLEY FEED DU	2	2	2							
18	*302F929060	2F929060	SHAFT FEED DU	1	1	1							
⊙ 19	*302F929140	2F929140	BUSH DU	2	2	2							
⊙ 20	*302F944130	2F944130	MOTOR EJECT	1	1	1							
⊙ 21	*302FV02470	2FV02470	BUSH FD	2	2	2							
⊙ 22	*302J028010	2J028010	COVER FD	1	1	1							
23	*302J028020	2J028020	SPRING EARTH A	1	1	1							
24	*302J028030	2J028030	GUIDE VERTICAL 30	1	1	1							
25	*302J028040	2J028040	GUIDE EJECT 30	1	1	1							
⊙ 26	*302J029040	2J029040	PULLEY FEED DU	2	2	2							
27	*302J034060	2J034060	LABEL OPERATION ENVELOPE	1	1	1							
⊙ 28	*7NXTLP1255++H01	NX046610	SENSOR OPT.	1	1	1							

- Parts with "*" are component parts or sub-assemblies of the assembly appearing immediately above them.
- Parts with "⊙" indicate regular maintenance parts.

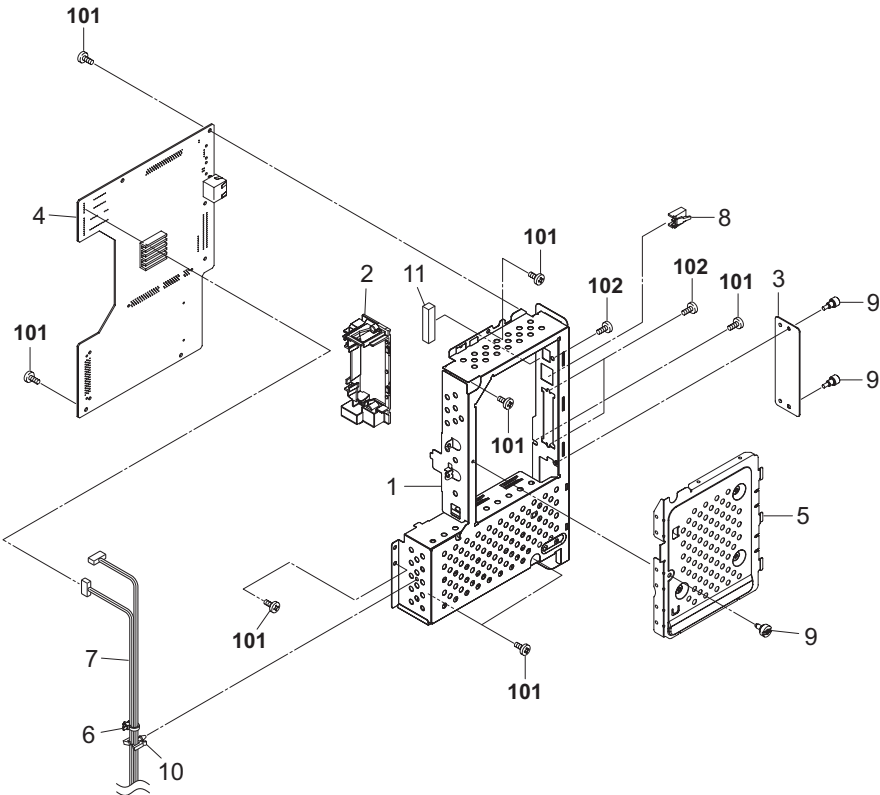


FIG. 15 Electrical Components

2J0/2J1/2J2

	Ref. No.	Part.No.	Alternative.	Description	Quantity		
					120	230	240
	1	302J139020	2J139020	BOX CONTROLLER (FS-4020DN/3920DN)	1	1	1
	1	302J039030	2J039030	BOX CONTROLLER (FS-2020D)	1	1	1
	2	302F939020	2F939020	GUIDE OPTION	1	1	1
⊙	3	302F939070	2F939070	PLATE OPTION	1	1	1
⊙	4	302J201040	2J201040	P.W.B.ASSY MAIN WITH SOFTWARE (FS-4020DN)	1	1	1
⊙	4	302J101060	2J101060	P.W.B.ASSY MAIN WITH SOFTWARE (FS-3920DN)	1	1	1
⊙	4	302J001140	2J001140	P.W.B.ASSY MAIN WITH SOFTWARE (FS-2020D)	1	1	1
	5	302F939031	2F939031	PLATE SHIELD	1	1	1
	6	7YZM420003+++H01	YZ052580	ACCESS BAND	1	1	1
	7	302J046050	2J046050	CONN. CORD ASSY S03452	1	1	1
	8	302F939090	2F939090	CAP NETWORK (FS-4020DN/3920DN)	1	1	1
	9	302F939081	2F939081	SCREW BOX	3	3	3
	10	M70AK010	M70AK010	WIRE SADDLE,RMS-1V0(TAKEUCHI)	1	1	1
	11	302F902470	2F902470	GASKET CONTBOX	1	1	1

	Ref. No.	Part.No.	Alternative.	Description	Quantity		
					120	230	240
	101	5MBTPB3006TW++R	B1A53060	BIND T.T SCREW(+)/ M3 X 6 CRFREE S-T			
	102	5MBSPP3006NW++R	B0B03060	PAN HEAD SCREW(+)/ M3 X 6 CRFREE			

- Parts with "*" are component parts or sub-assemblies of the assembly appearing immediately above them.
- Parts with "⊙" indicate regular maintenance parts.

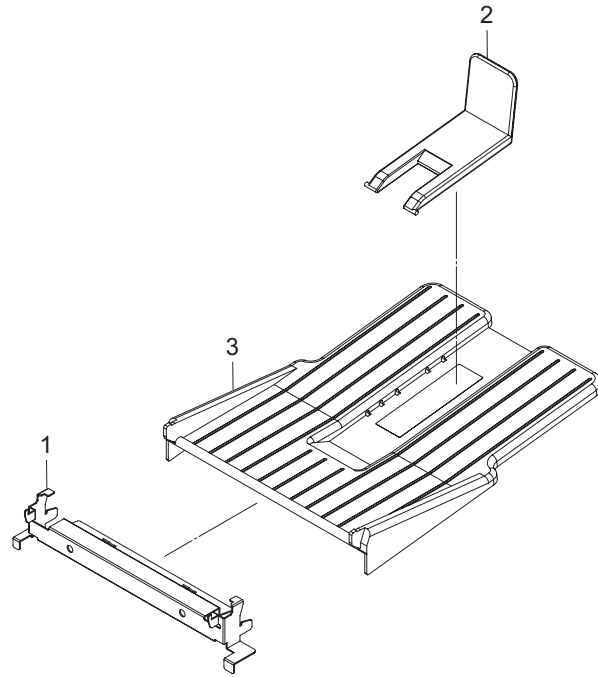


FIG. 16 PT-310

2J0/2J1/2J2

Ref. No.	Part.No.	Alternative.	Description	Quantity		
				120	230	240
1	303KV28010	3KV28010	PLATE HANGER	1	1	1
2	5MVL664SH001	2B600030	STOPPER PAPER FU /A0036 A3	1	1	1
3	5MVX885SH003	2B600040	TRAY FACE UP /A0035 A1	1	1	1

- Parts with "•" are component parts or sub-assemblies of the assembly appearing immediately above them.
- Parts with "⊙" indicate regular maintenance parts.

INDEX

2J0/2J1/2J2

Part.No.	Alternative.	Description	Fig.No.
2BC06510	2BC06510	BUSHING 8	6
2BC06910	2BC06910	STOPPER 6	6
2BC06980	2BC06980	STOPPER 5	6,13
⊙ 2BG22960	2BG22960	BUSH 6	6,7
⊙ 2BG22970	2BG22970	BUSH 6 EW	6
⊙ 2BG22980	2BG22980	BUSH 8	6
2BZ06070	5MVM686SH001	DIAL CASSETTE /29845V0022 A2	4
2C906260	2C906260	SHEET ABSORBER	2
⊙ 2FM02180	5MVX221DN020	BUSH REGIST C /B-11 FRAME A3	6
2FM04150	5MVM163DN005	CAP SPRING /B-11 ENCLOSURE A4	12,14
302F325010	2F325010	STUD SCREW M3	11
302F708310	2F708310	SPRING LOCK MPF	5
302F724260	2F724260	SPRING REGIST C	6
302F725401	2F725401	CAP SEPARATOR	11
302F725500	2F725500	SHEET FUSER HEATER	11
302F802010	2F802010	GUIDE CASSETTE	2
302F802030	2F802030	SPACER PLATE BOTTOM	2
⊙ 302F804120	2F804120	SPONGE TOP TRAY REAR	1
⊙ 302F804130	2F804130	SPONGE TOP TRAY SIDE	1
302F806010	2F806010	GUIDE FEED UP	7
⊙ 302F809020	2F809020	LOCK BOTTOM	4
302F809040	2F809040	COVER LIFT GEAR	4
302F809050	2F809050	LABEL DIAL	4
302F809060	2F809060	LABEL OPERATION	4
302F809071	2F809071	PLATE BOTTOM	4
302F809080	2F809080	STOPPER A5	4
302F825030	2F825030	GUIDE DU	12
⊙ 302F828030	2F828030	GEAR Z66HZ25H	14
302F828070	2F828070	EARTH PLATE EJECT	14
302F828120	2F828120	FILM EJECT	14
302F828131	2F828131	SPRING DISCHARGER	14
⊙ 302F831040	2F831040	GEAR DU	13
⊙ 302F831060	2F831060	BUSH DRUM	13
302F846060	2F846060	CONN.CORD ASSY S03047	3
302F846090	2F846090	CONN.CORD ASSY S03051	6
302F846100	2F846100	CONN.CORD ASSY S03052	6
302F846130	2F846130	CONN.CORD ASSY S03056	6
302F846200	2F846200	CONN.CORD ASSY S03068	3
302F846290	2F846290	CONN.CORD ASSY S03122	6
302F846320	2F846320	CONN.CORD ASSY S03130	3
302F846330	2F846330	CONN.CORD ASSY S03172	3
⊙ 302F880062	2F880062	SWITCHING REGULATOR (U)	3
⊙ 302F880070	2F880070	SWITCHING REGULATOR(E)	3
⊙ 302F894042	2F894042	FEED HOLDER ASSY	7
302F902011	2F902011	FRAME LEFT	2
302F902021	2F902021	FRAME RIGHT	2
302F902041	2F902041	PLATE BOTTOM	2
302F902050	2F902050	GUIDE CASSETTE	2
302F902060	2F902060	GUIDE DLP R	2
302F902070	2F902070	DUCT RIGHT FRAME	2

Part.No.	Alternative.	Description	Fig.No.
302F902101	2F902101	PLATE POWER PWB	3
302F902110	2F902110	SHEET POWER PWB	3
⊙ 302F902160	2F902160	CONTACT MAIN	3
⊙ 302F902170	2F902170	LEVER EF	3
302F902180	2F902180	SPRING LEVER EF	3
302F902220	2F902220	COOLING DUCT LEFT	2
302F902240	2F902240	COVER WIRE A	3
302F902250	2F902250	MOUNT FAN MOTOR	3
302F902260	2F902260	PLATE EARTH DRUM	3
⊙ 302F902270	2F902270	CONTACT BIAS	3
302F902280	2F902280	PLATE EARTH BOTTOM	3
302F902321	2F902321	PLATE EARTH FEED	3
302F902330	2F902330	PLATE HEAT SINK	3
302F902340	2F902340	SHEET BIAS	3
302F902380	2F902380	COOLING DUCT LEFT A	2
302F902390	2F902390	PLATE EARTH RAIL	3
302F902402	2F902402	PLATE EARTH MAIN	3
302F902410	2F902410	SPRING EARTH FAN	3
⊙ 302F902420	2F902420	LOCK COVER TOP R	2
⊙ 302F902430	2F902430	LOCK COVER TOP L	3
302F902450	2F902450	SHEET WIRE	3
302F902470	2F902470	GASKET CONTBOX	15
302F902480	2F902480	SPONGE MULTI	2
302F902490	2F902490	SHEET POWER PLATE	3
302F904140	2F904140	HINGE SIDE	1
⊙ 302F904170	2F904170	SPONGE COVER TOP	1
⊙ 302F904180	2F904180	SHEET ATTACHMENT	1
302F906010	2F906010	GUIDE FEED UP	7
302F906030	2F906030	GEAR FEED Z26H	7
302F906060	2F906060	HOLDER FEED	7
302F906110	2F906110	PIN FEED ROLL	7
302F906120	2F906120	SPRING PICK UP	7
302F906170	2F906170	JOINT PICKUP A	7
302F906180	2F906180	JOINT PICKUP B	7
302F906190	2F906190	GUIDE FEED L	7
302F906200	2F906200	GUIDE FEED R	7
302F906220	2F906220	STOPPER SENSOR	7
302F906230	2F906230	PULLEY FEED ASSY	7
302F906240	2F906240	PULLEY PICKUP ASSY	7
302F906272	2F906272	SHAFT FEED L	7
302F906280	2F906280	GEAR FEED Z30H	7
302F906290	2F906290	SHAFT FEED R	7
302F906300	2F906300	COVER WIRE	7
302F908010	2F908010	GUIDE TURN MPF	5
302F908020	2F908020	FRAME MPF	5
⊙ 302F908040	2F908040	TRAY MPF MID	5
⊙ 302F908050	2F908050	TRAY MPF TOP	5
302F908070	2F908070	GUIDE SIDE MPF L	5
302F908080	2F908080	GUIDE SIDE MPF R	5
302F908100	2F908100	SPRING BOTTOM MPF R	5

• Parts with "⊙" indicate regular maintenance parts.

	Part.No.	Alternative.	Description	Fig.No.
⊙	302F908110	2F908110	SHAFT FEED MPF	5
⊙	302F908120	2F908120	ACTUATOR MPF A	5
	302F908130	2F908130	GEAR MPF Z30	5
	302F908150	2F908150	SP PULLEY TURN	5
	302F908170	2F908170	PLATE EARTH BOTTOM	5
⊙	302F908180	2F908180	COVER FRONT MPF	5
⊙	302F908200	2F908200	LOCK COVER	5
⊙	302F908210	2F908210	ACTUATOR MPF B	5
	302F908220	2F908220	BKT CONNECTOR	5
	302F908230	2F908230	SPRING EARTH CONNECTOR	5
	302F908240	2F908240	BRACKET BOTTOM	5
	302F908260	2F908260	WIRE BASE MPF	5
	302F908270	2F908270	SP BOTTOM MPF L	5
	302F908280	2F908280	SP ACTUATOR MPF	5
	302F908290	2F908290	SP SEPARATOR MPF	5
	302F908300	2F908300	SPRING LOCK MPF	5
	302F908310	2F908310	PAD FRICTION MPF	5
	302F908330	2F908330	SPRING LEVER LOCK R	5
⊙	302F908340	2F908340	LOCK DLP	5
	302F908350	2F908350	SP COVER MPF	5
	302F908380	2F908380	SP PULLEY FEED	5
⊙	302F909031	2F909031	LEVER BASE CAS REAR	4
	302F909040	2F909040	SPRING BASE CAS REAR	4
	302F909050	2F909050	CURSOR LEFT	4
	302F909060	2F909060	CURSOR RIGHT	4
⊙	302F909070	2F909070	LEVER SIDE CURSOR	4
	302F909080	2F909080	CURSOR END	4
⊙	302F909090	2F909090	LEVER END CURSOR	4
	302F909101	2F909101	PLATE BOTTOM	4
	302F909110	2F909110	WORKPLATE LIFT	4
	302F909121	2F909121	SHAFT WORKPLATE	4
⊙	302F909131	2F909131	GEAR LIFT Z64	4
⊙	302F909140	2F909140	GEAR JOINT Z16	4
⊙	302F909151	2F909151	LEVER INDICATOR	4
⊙	302F909160	2F909160	BUSH LIFT 6	4
⊙	302F909170	2F909170	RETARD ROLLER ASSY	4
	302F909180	2F909180	HOLDER RETARD	4
	302F909191	2F909191	GUIDE RETARD	4
	302F909200	2F909200	SPRING RETARD	4,11
⊙	302F909210	2F909210	PAD BOTTOM	4
	302F909230	2F909230	COVER LIFT GEAR	4
	302F909240	2F909240	LID CASSETTE	4
	302F909250	2F909250	SPRING SIZE FIX	4
	302F909260	2F909260	MARKER INDICATOR	4
	302F909270	2F909270	GUIDE PAPER CASSETTE	4
	302F909280	2F909280	COVER CASSETTE TOP	4
	302F909290	2F909290	LABEL DIAL A6	4
	302F909300	2F909300	LABEL OPERATION	4
	302F909310	2F909310	LABEL A6	4
⊙	302F909501	2F909501	GEAR WORM	2

	Part.No.	Alternative.	Description	Fig.No.
⊙	302F909510	2F909510	GEAR Z40HZ18	2
⊙	302F909520	2F909520	GEAR Z60Z16	2
⊙	302F909530	2F909530	GEAR Z50Z16	2
⊙	302F909540	2F909540	GEAR Z49	2
⊙	302F909550	2F909550	GEAR Z26Z15	2
	302F909560	2F909560	SHEET CASSETTE	4
⊙	302F912310	2F912310	COVER DRUM SHUTTER	2
⊙	302F912320	2F912320	ARM DRUM SHUTTER	2
⊙	302F912330	2F912330	GEAR SHUTTER Z18S	2
⊙	302F912340	2F912340	GEAR SHUTTER Z16S	2
⊙	302F912350	2F912350	LID DRUM SHUTTER	2
	302F912360	2F912360	SPRING SHUTTER ARM	2
	302F912370	2F912370	SPRING SHUTTER L	2
⊙	302F924020	2F924020	ROLLER REGIST UP	6
	302F924041	2F924041	SHAFT MID	6
	302F924060	2F924060	GUIDE REGIST UP	5
	302F924071	2F924071	GUIDE PAPER CHUTE	6
⊙	302F924090	2F924090	LEVER EMPTY	6
	302F924100	2F924100	GUIDE EARTH	6
	302F924120	2F924120	SPRING TC CHARGE	6
	302F924140	2F924140	SPRING EARTH	6
⊙	302F924150	2F924150	ACTUATOR REGIST	6
⊙	302F924160	2F924160	BUSH REGIST	6
⊙	302F924190	2F924190	BUSH TRANSFER R	6
⊙	302F924210	2F924210	GEAR TC Z22H	6
⊙	302F924220	2F924220	ACTUATOR DU	6
⊙	302F924240	2F924240	LEVER RELEASE FUSER R	6
	302F924270	2F924270	SPRING REGIST SENSOR	6
	302F924280	2F924280	SPRING MAIN CHARGE	6
	302F924320	2F924320	SPRING RELEASE DLP R	6
	302F924340	2F924340	SPRING BIAS CHARGE	6
	302F924380	2F924380	SPRING RELEASE FUSER R	6
	302F924390	2F924390	SPRING TC L	6
	302F924400	2F924400	SPRING TC R	6
⊙	302F924430	2F924430	GEAR REGIST Z23H	6
⊙	302F924460	2F924460	SPRING REGIST R	6
	302F924470	2F924470	PLATE ENGINE	6
⊙	302F924480	2F924480	LEVER RELEASE DLP L	6
⊙	302F924490	2F924490	LEVER RELEASE DLP R	6
	302F924500	2F924500	GUIDE CABLE L	6
	302F924510	2F924510	GUIDE CABLE R	6
	302F924520	2F924520	SP RELEASE TC L	6
	302F924550	2F924550	PLATE HV	6
	302F924560	2F924560	PLATE EARTH R	6
	302F924570	2F924570	PLATE HIGH MEG EARTH	6
	302F924580	2F924580	PLATE EARTH M	6
	302F924590	2F924590	PLATE SEP CHARGE	6
	302F924600	2F924600	PLATE TC CHARGE	6
	302F924651	2F924651	PLATE HV L	6
	302F924660	2F924660	PLATE HV R	6

• Parts with "⊙" indicate regular maintenance parts.

	Part.No.	Alternative.	Description	Fig.No.
⊙	302F924700	2F924700	GEAR REG Z26H-Z33H	6
	302F924720	2F924720	SHEET INSULATOR	6
	302F924730	2F924730	PLATE EARTH ENGINE L	6
	302F924750	2F924750	SHAFT GUIDE	6
	302F924760	2F924760	PULLEY GUIDE	6
	302F924780	2F924780	SPONGE REGIST	6
	302F924790	2F924790	LABEL OPERATION	5
	302F924810	2F924810	GUIDE FEED LOW	6
⊙	302F924830	2F924830	BUSH TRANSFER L	6
	302F925031	2F925031	GUIDE DU	12
	302F925040	2F925040	GUIDE FACE UP	11
⊙	302F925060	2F925060	ACTUATOR SOL	11
⊙	302F925090	2F925090	GEAR INPUT	11
⊙	302F925100	2F925100	GEAR HEAT Z46	11
⊙	302F925130	2F925130	GEAR IDLE Z36	11
⊙	302F925140	2F925140	GEAR EXIT Z21	11,12
	302F925160	2F925160	PULLEY FACE UP	12
⊙	302F925171	2F925171	ACTUATOR EXIT	11
⊙	302F925180	2F925180	ACTUATOR DU	12
	302F925200	2F925200	PLATE CORD	11
	302F925211	2F925211	PLATE EARTH FUSER	11
	302F925230	2F925230	PLATE EARTH PRESS	11
	302F925250	2F925250	PLATE EARTH EXIT	11
	302F925260	2F925260	PLATE EARTH FACE UP	12
⊙	302F925280	2F925280	BEARING HEAT	11
⊙	302F925300	2F925300	ROLLER FACE UP	12
	302F925310	2F925310	SHAFT EXIT	11
	302F925320	2F925320	MOUNT GEAR	11
	302F925340	2F925340	SPRING EXIT	11
	302F925350	2F925350	SPRING FACE UP	12
	302F925360	2F925360	SPRING ACTUATOR EXIT	11
	302F925371	2F925371	SPRING ACTUATOR DU	12
	302F925390	2F925390	STOPPER HEAT ROLLER	11
⊙	302F925440	2F925440	INNER RAIL R	12
⊙	302F925450	2F925450	INNER RAIL L	12
⊙	302F925460	2F925460	OUTER RAIL R	2
⊙	302F925470	2F925470	OUTER RAIL L	3
⊙	302F925480	2F925480	PULLEY RAIL DOUBLE	2,3
⊙	302F925500	2F925500	PIN PULLEY	2
	302F925530	2F925530	RING BEARING	11
⊙	302F925550	2F925550	LOCK FUSER	12
	302F925560	2F925560	SPRING LOCK	12
⊙	302F925570	2F925570	BUSH EXIT	11
	302F925610	2F925610	PIN MOUNT GEAR	11
⊙	302F925650	2F925650	THERMISTOR ASSY	11
⊙	302F925660	2F925660	BUSHING HEAT ROLLER	11
	302F925711	2F925711	GUIDE CHANGE	11
	302F925720	2F925720	CAP SEPARATOR	11
	302F925730	2F925730	COVER CORD	11
	302F925750	2F925750	SPRING FUSER RELEASE	12

	Part.No.	Alternative.	Description	Fig.No.
	302F925760	2F925760	PLATE RAIL FIX	12
	302F925770	2F925770	SPRING EARTH HEAT	11
	302F925780	2F925780	SPRING DU	12
	302F925800	2F925800	SPRING SEPARATOR	11
	302F925821	2F925821	SPRING EARTH	11
	302F925830	2F925830	SHEET FUSER A	11
	302F925872	2F925872	SPRING RAIL SW	2
	302F925880	2F925880	LID FUSER	11
	302F925901	2F925901	CAP SPRING EXIT	11
⊙	302F925910	2F925910	DISCHARGER FUSER	11
⊙	302F925950	2F925950	SHEET SENSOR	11
	302F926060	2F926060	PULLEY SWITCH BACK	12
⊙	302F926070	2F926070	PULLEY EXIT PFA	11
	302F928040	2F928040	PLATE MOTOR	14
⊙	302F928050	2F928050	GEAR Z66HZ36H	14
⊙	302F928060	2F928060	GEAR Z18H FD	14
⊙	302F928070	2F928070	ROLLER FD UP	14
⊙	302F928100	2F928100	ACTUATOR OVERFLOW	14
	302F928130	2F928130	SPRING COVER FD L	14
	302F928140	2F928140	SPRING COVER FD R	14
	302F928150	2F928150	EARTH PLATE ROLLER 35	14
	302F928170	2F928170	SPRING PULLEY	14
⊙	302F928180	2F928180	GEAR Z20H	14
	302F928231	2F928231	SPRING DISCHARGER	14
⊙	302F928240	2F928240	DISCHARGER FD	14
	302F928250	2F928250	GUIDE CORRUGATION	14
⊙	302F928260	2F928260	GEAR Z18H FD35	14
	302F928271	2F928271	GUIDE PULLEY	14
	302F928290	2F928290	SHAFT EJECT PULLEY	14
	302F928300	2F928300	SPONGE EXIT	14
	302F928310	2F928310	SPRING PULLEY 35	14
	302F929010	2F929010	BASE DU	8
	302F929021	2F929021	GUIDE DU LOW	8
⊙	302F929030	2F929030	ROLLER DU	8
⊙	302F929041	2F929041	ACTUATOR PE	8
⊙	302F929050	2F929050	PULLEY FEED DU	5,14
	302F929060	2F929060	SHAFT FEED DU	5,12,14
	302F929070	2F929070	SPRING PULLEY FEED	8
	302F929080	2F929080	SPRING PE RELEASE	8
⊙	302F929100	2F929100	PULLEY P25 DU	8
⊙	302F929110	2F929110	GEAR Z18S-P25	8
	302F929120	2F929120	BELT DU	8
⊙	302F929140	2F929140	BUSH DU	8,11,12,14
⊙	302F929151	2F929151	LEVER LIFT DU L	8
⊙	302F929160	2F929160	LEVER LIFT DU R	8
	302F929170	2F929170	SPRING DU LIFT	8
	302F929180	2F929180	HOLDER DU PULLEY	8
⊙	302F929191	2F929191	BUSH PE	8
⊙	302F929200	2F929200	LEVER DU RELEASE	8
	302F929220	2F929220	PLATE EARTH DU	8

• Parts with "⊙" indicate regular maintenance parts.

Part.No.	Alternative.	Description	Fig.No.
302F929250	2F929250	SHAFT DU LOW	8
302F929260	2F929260	PULLEY DU LOW	8
302F929270	2F929270	SEAL HOLDER	8
302F929280	2F929280	SEAL HOLDER B	8
⊙ 302F931020	2F931020	GEAR Z77H	13
⊙ 302F931030	2F931030	GEAR Z70H	13
⊙ 302F931040	2F931040	GEAR Z90H Z30H	13
⊙ 302F931050	2F931050	GEAR Z48H	13
⊙ 302F931060	2F931060	GEAR Z46H	13
⊙ 302F931070	2F931070	GEAR Z37S	13
⊙ 302F931080	2F931080	GEAR Z45S	13
⊙ 302F931090	2F931090	GEAR Z30S	13
⊙ 302F931100	2F931100	GEAR Z34S	13
⊙ 302F931110	2F931110	GEAR Z95H Z28H	13
⊙ 302F931130	2F931130	GEAR REGIST Z28H	13
⊙ 302F931160	2F931160	GEAR FEED CLUTCH Z23H	13
⊙ 302F931180	2F931180	GEAR MPF Z37S	13
⊙ 302F931190	2F931190	GEAR DLP Z31H	2
⊙ 302F931200	2F931200	GEAR DLP Z32H	13
302F931221	2F931221	HOUSING FEED DRIVE B	13
⊙ 302F931230	2F931230	HOLDER DLP CLUTCH	2
302F931251	2F931251	SHAFT REGIST	13
302F931261	2F931261	SHAFT MID FEED	13
⊙ 302F931270	2F931270	SPRING FUSER	13
⊙ 302F931290	2F931290	GEAR DLP Z24H	13
⊙ 302F931300	2F931300	GEAR DLP JOINT Z25H	13
⊙ 302F931310	2F931310	GEAR DLP Z25H	13
⊙ 302F931320	2F931320	HOLDER DU	13
302F931340	2F931340	SHAFT CASSETTE	13
302F931350	2F931350	JOINT SHAFT CASSETTE	13
⊙ 302F931360	2F931360	LEVER MPF LIFT	13
⊙ 302F931371	2F931371	CAM MPF LIFT	13
302F931380	2F931380	SPRING MPF CAM	13
⊙ 302F931430	2F931430	GEAR FEED ROLL Z27H	6
302F931450	2F931450	SPRING FEED	13
302F931460	2F931460	PIN IDLE FEED	13
302F931480	2F931480	PLATE FEED DRIVE	13
⊙ 302F931490	2F931490	BUSH FEED DRIVE	6,13
⊙ 302F931500	2F931500	GEAR FEED Z34H	13
⊙ 302F931510	2F931510	GEAR FEED Z23HZ31H	13
⊙ 302F931520	2F931520	GEAR FEED Z25H	13
⊙ 302F931530	2F931530	GEAR FEED Z33H	13
⊙ 302F931540	2F931540	GEAR FEED Z31HZ24H	13
⊙ 302F931550	2F931550	GEAR FEED Z36HZ27H	13
⊙ 302F931560	2F931560	GEAR FEED Z26H Z22S	13
302F931570	2F931570	PIN IDLE FEED A	13
⊙ 302F931590	2F931590	GEAR Z191H	13
⊙ 302F931600	2F931600	CLUTCH DLP	2
⊙ 302F934100	2F934100	LABEL INSTALL DLP	1
302F939020	2F939020	GUIDE OPTION	15

Part.No.	Alternative.	Description	Fig.No.
⊙ 302F939031	2F939031	PLATE SHIELD	15
⊙ 302F939070	2F939070	PLATE OPTION	15
302F939081	2F939081	SCREW BOX	15
302F939090	2F939090	CAP NETWORK	15
⊙ 302F944040	2F944040	CLUTCH DUPLEX	13
⊙ 302F944060	2F944060	SOLENOID MPF	13
⊙ 302F944071	2F944071	SOLENOID DLP	2
⊙ 302F944090	2F944090	SOLENOID ASSY	11
⊙ 302F944130	2F944130	MOTOR EJECT	14
⊙ 302F944150	2F944150	FAN L 80	3
⊙ 302F944160	2F944160	FAN POWER PWB 50	3
⊙ 302F944170	2F944170	MOTOR LIFT	2
⊙ 302F944200	2F944200	CLUTCH MID FEED	13
⊙ 302F944210	2F944210	CLUTCH CASSETTE	13
⊙ 302F944220	2F944220	CLUTCH REGIST	13
302F946050	2F946050	CONN.CORD ASSY S03098	13
302F946060	2F946060	CONN.CORD ASSY S03100	13
⊙ 302F980192	2F980192	SWITCHING REGULATOR(U)	3
⊙ 302F980200	2F980200	SWITCHING REGULATOR(E)	3
⊙ 302F994031	2F994031	FEED DRIVE ASSY SP	13
⊙ 302F994062	2F994062	FEED HOLDER ASSY	7
⊙ 302F994070	2F994070	SEPARATOR MP ASSY	5
⊙ 302F994091	2F994091	WASTE BOTTLE ASSY	9
⊙ 302F994100	2F994100	EMBLEM ASSY	5
⊙ 302F994110	2F994110	DC BRUSH ASSY	6
⊙ 302F994120	2F994120	REGIST KIT	6
⊙ 302F994300	2F994300	ROLLER TRANSFER ASSY SP	6
⊙ 302FP25110	2FP25110	THERMOSTAT 250V 170C	11
⊙ 302FV02470	2FV02470	BUSH FD	12,14
302FV14500	2FV14500	LABEL GUIDE DLP	2
302FV45020	2FV45020	AC CORD ASSY	3
302FV45040	2FV45040	AC CORD ASSY	3
⊙ 302G634070	2G634070	LABEL ENERGY STAR	5
⊙ 302GA24030	2GA24030	ROLLER MIDDLE ASSY	6
302HN25350	2HN25350	LABEL EXIT	11
302HS25250	2HS25250	GEAR Z29S FUSER	11
⊙ 302HW25040	2HW25040	ROLLER EXIT	11
⊙ 302J001090	2J001090	P.W.BOARD ASSY CONNECT-L	3
⊙ 302J001100	2J001100	P.W.BOARD ASSY CONNECT-R	13
⊙ 302J001110	2J001110	P.W.BOARD ASSY FUSER-L	11
⊙ 302J001120	2J001120	P.W.BOARD ASSY FUSER-R	11
⊙ 302J001140	2J001140	P.W.B.ASSY MAIN WITH SOFTWARE	15
⊙ 302J002010	2J002010	FOOT	2,3
⊙ 302J002020	2J002020	FRAME CENTER	2
⊙ 302J002030	2J002030	PLATE BOTTOM	2
⊙ 302J002040	2J002040	BRACKET FAN	2
⊙ 302J002050	2J002050	BRACKET USB	2
⊙ 302J004030	2J004030	LID TOP B	1
⊙ 302J004050	2J004050	STOPPER FD	1
⊙ 302J004060	2J004060	COVER LEFT	1

• Parts with "⊙" indicate regular maintenance parts.

	Part.No.	Alternative.	Description	Fig.No.
⊙	302J004070	2J004070	COVER SIDE	1
⊙	302J004080	2J004080	COVER RIGHT	1
⊙	302J004090	2J004090	COVER CONTROLLER	1
⊙	302J004100	2J004100	COVER CABLE	1
	302J004110	2J004110	SPONGE A FAN L 80	1
	302J004120	2J004120	SPONGE B FAN L 80	1
⊙	302J008010	2J008010	COVER MPF	5
	302J008030	2J008030	PLATE BOTTOM MPF	5
	302J008040	2J008040	BASE MPF	5
	302J008050	2J008050	SPRING LEVER LOCK L	5
⊙	302J009010	2J009010	SPRING BOTTOM	4
	302J009020	2J009020	BASE CASSETTE	4
	302J009030	2J009030	BASE CASSETTE REAR	4
	302J024010	2J024010	COVER PWB FEED	6
	302J024020	2J024020	SPRING SEP CHARGE	6
	302J024050	2J024050	FRAME FEED	6
	302J024080	2J024080	PLATE EARTH ENGINE R	6
	302J025010	2J025010	FRAME FUSER UP	11
	302J025020	2J025020	FRAME FUSER LOW	11
	302J025030	2J025030	ROD FUSER	11
	302J025050	2J025050	BUTTON FUSER	11
	302J025060	2J025060	PLATE PRESS L	11
	302J025070	2J025070	PLATE PRESS R	11
	302J025080	2J025080	SPRING PRESS	11
⊙	302J025090	2J025090	COVER REAR	12
⊙	302J025120	2J025120	ROLLER PRESS	11
⊙	302J025130	2J025130	HEATER LAMP E	11
⊙	302J025140	2J025140	HEATER LAMP U	11
⊙	302J025160	2J025160	ROLLER HEAT	11
	302J025170	2J025170	GUIDE EXIT UP	11
	302J025190	2J025190	GUIDE EXIT LOW	11
⊙	302J025200	2J025200	LEVER FUSER RELEASE	12
	302J025210	2J025210	BUSH PRESS B	11
	302J025220	2J025220	SHAFT ROD	11
	302J025230	2J025230	SPRING PRESS ENV	11
	302J025240	2J025240	BUTTON FUSER B	11
⊙	302J028010	2J028010	COVER FD	14
	302J028020	2J028020	SPRING EARTH A	14
	302J028030	2J028030	GUIDE VERTICAL 30	14
	302J028040	2J028040	GUIDE EJECT 30	14
	302J029010	2J029010	WIRE LIFT DU	8
	302J029020	2J029020	SPRING EARTH DU	8
⊙	302J029040	2J029040	PULLEY FEED DU	14
	302J031010	2J031010	PLATE DRIVE D	13
⊙	302J031020	2J031020	MOTOR MAIN Z16	13
⊙	302J031030	2J031030	MOTOR DRUM Z16	13
⊙	302J034010	2J034010	LABEL JAM OPERATION	1
⊙	302J034050	2J034050	LABEL PUSH	12
	302J034060	2J034060	LABEL OPERATION ENVELOPE	14
	302J034070	2J034070	LABEL CAUTION ENVELOPE E	5

	Part.No.	Alternative.	Description	Fig.No.
	302J039030	2J039030	BOX CONTROLLER	15
⊙	302J044030	2J044030	FAN ENGINE PWB 35	6
⊙	302J044040	2J044040	FAN R 80	2
⊙	302J044070	2J044070	FAN MOTOR	2
	302J046010	2J046010	CONN. CORD ASSY S03448	2
	302J046020	2J046020	CONN. CORD ASSY S03449	3
	302J046030	2J046030	CONN. CORD ASSY S03450	5
	302J046050	2J046050	CONN. CORD ASSY S03452	15
	302J046070	2J046070	CONN. CORD ASSY S03454	13
	302J046080	2J046080	CONN. CORD ASSY S03455	3
	302J046090	2J046090	CONN. CORD ASSY S03456	6
	302J046120	2J046120	CONN. CORD ASSY S03459	13
	302J046150	2J046150	CONN. CORD ASSY S03462	6
	302J046160	2J046160	CONN. CORD ASSY S03463	6
	302J046170	2J046170	CONN. CORD ASSY S03464	6
	302J046180	2J046180	CONN. CORD ASSY S03465	6
	302J046190	2J046190	CONN. CORD ASSY S03466	6
	302J046210	2J046210	CONN. CORD ASSY S03468	11
	302J046250	2J046250	CONN. CORD ASSY S03497	2
⊙	302J080010	2J080010	P.W.B ASSY ENGINE WITH SOFTWARE (SP)	6
⊙	302J093010	2J093010	DK-320	9
⊙	302J093020	2J093020	DV-340(E)	10
⊙	302J093030	2J093030	DV-342(U)	10
⊙	302J093040	2J093040	DV-344(AO)	10
⊙	302J093050	2J093050	LK-340	2
⊙	302J093060	2J093060	FK-340(E)	11
⊙	302J093070	2J093070	FK-340(U)	11
⊙	302J093080	2J093080	CT-340	4
⊙	302J093090	2J093090	MC-320	9
⊙	302J094010	2J094010	DU ASSY SP	8
⊙	302J094020	2J094020	FD ASSY SP	14
⊙	302J094030	2J094030	KEY BOARD ASSY(E) SP	1
⊙	302J094040	2J094040	LID TOP ASSY SP	1
⊙	302J094050	2J094050	COVER TOP ASSY SP	1
⊙	302J094060	2J094060	BASE MPF ASSY SP	5
⊙	302J101040	2J101040	P.W.BOARD ASSY CONNECT-L	3
⊙	302J101050	2J101050	P.W.BOARD ASSY CONNECT-R	13
⊙	302J101060	2J101060	P.W.B.ASSY MAIN WITH SOFTWARE	15
	302J101100	2J101100	P.W.BOARD ASSY FUSER-L	11
	302J101110	2J101110	P.W.BOARD ASSY FUSER-R	11
⊙	302J104030	2J104030	LID TOP B	1
⊙	302J104040	2J104040	COVER FRONT	1
⊙	302J104050	2J104050	STOPPER FD	1
⊙	302J104060	2J104060	COVER CABLE	1
⊙	302J105060	2J105060	COVER LCD PWB	1
⊙	302J125010	2J125010	COVER REAR	12
⊙	302J125020	2J125020	THERMISTOR ASSY	11
	302J128010	2J128010	GUIDE VERTICAL 35	14
	302J128020	2J128020	GUIDE EJECT 35	14
	302J139020	2J139020	BOX CONTROLLER	15

• Parts with "⊙" indicate regular maintenance parts.

Part.No.	Alternative.	Description	Fig.No.
302J146010	2J146010	CONN. CORD ASSY S03472	6
302J146040	2J146040	CONN. CORD ASSY S03475	6
302J146050	2J146050	CONN. CORD ASSY S03476	11
302J146070	2J146070	CONN. CORD ASSY S03478	11
302J146080	2J146080	CONN. CORD ASSY S03479	11
⊙ 302J180010	2J180010	P.W.B ASSY ENGINE WITH SOFTWARE (SP)	6
⊙ 302J193010	2J193010	DV-350(E)	10
⊙ 302J193020	2J193020	DV-352(U)	10
⊙ 302J193030	2J193030	DV-354(AO)	10
⊙ 302J193040	2J193040	LK-350	2
⊙ 302J193050	2J193050	FK-350(E)	11
⊙ 302J193060	2J193060	FK-350(U)	11
⊙ 302J193070	2J193070	CT-350	4
⊙ 302J194010	2J194010	FD ASSY SP	14
⊙ 302J194020	2J194020	KEY BOARD ASSY(E) SP	1
⊙ 302J194030	2J194030	LID TOP ASSY SP	1
⊙ 302J194040	2J194040	COVER TOP ASSY SP	1
⊙ 302J201040	2J201040	P.W.B ASSY MAIN WITH SOFTWARE	15
⊙ 302J280010	2J280010	P.W.B ASSY ENGINE WITH SOFTWARE (SP)	6
⊙ 302J293010	2J293010	DV-360(E)	10
⊙ 302J293020	2J293020	DV-362(U)	10
⊙ 302J293030	2J293030	DV-364(AO)	10
⊙ 302J293040	2J293040	LK-360	2
⊙ 302J294010	2J294010	KEY BOARD ASSY(E) SP	1
⊙ 302J294020	2J294020	LID TOP ASSY SP	1
303KV28010	3KV28010	PLATE HANGER	16
3CZ02230	3CZ02230	PIN,HOOK FULCRUM	2,3
⊙ 5AAVROLL+051	2CL16130	ROLLER M/P ASSY /43487B0027 A4	5
⊙ 5FSP03090001+01	SP0A0360	PUSH SWITCH 03 SN /SW-192 N	3
5MMS111SL002	2BY20050	NUT FUSER A /FS-1800/3800 A4	11
5MMW151SD003	2BS06100	SPRING END /3070P319 A4	4
5MMW166LD010	2B700070	SPRING LOCK GUIDE /FS-1200 A4	4
5MMW251LD048	2BS06150	SP STOPPER BOTTOM /PF3070P304 A4	4
5MMW261LJ032	2BM21060	SPRING SOL /Q1007 A4	11
5MVG127DB046	2B700190	GEAR CASSETTE /FS-1200 A4	4
5MVG127DH001	2B700380	GEAR MANUAL /40301X1013 A4	5
5MVL664SH001	2B600030	STOPPER PAPER FU /A0036 A3	16
5MVM111RB002	2BR20450	RUBBER PIN /40301P0041 A4	11
⊙ 5MVM188XN014	2BS20230	BUSH PRESS /A-03 A4	11
5MVS862XF005	2FP20200	SHEET DISCHARGER /FS-1920/3830 A4	11
5MVVL611WN06	2FV20100	LABEL FUSER CAUTION	3,11
⊙ 5MVX111DN002	3B706590	BUSH SP PULLEY /40283V0099 A4	5
5MVX111DN003	2A806250	RING STOPPER /A-49 FEED A4	7
5MVX111DN007	2BT11070	STOPPER 3 /2BT1107 A4	8
5MVX222XN002	2A820530	SEPARATOR /40301P0028 A4	11
5MVX422DN007	2BS02370	HOLDER FEED M/P /43487B0026 A4	5
5MVX885SH003	2B600040	TRAY FACE UP /A0035 A1	16
⊙ 7AAACCUS+10H001	AA068380	AC CORD ASSY US	3
7NXTLP1255++H01	NX046610	SENSOR OPT.	7,11,14
7RHA2H10701+H01	RH043740	M.GLAZE R. 100MJ 1/2W	6

Part.No.	Alternative.	Description	Fig.No.
7SP01000001+H01	SP044290	SW,PUSH	2
7YBEJ0J0D001H01	YB045400	FERRITE CORE	1,3
7YBER0R0E001H01	YB045410	FERRITE CORE	13
7YCC02B1003+H01	YC013860	CONNECTOR 292254-2	13
7YCC02B1005+H01	YC013990	CONNECTOR 2-292254-2	13
7YCC02B1007+H01	YC014270	CONNECTOR	13
7YCC02B1111+H01	YC045130	CONNECTOR	13
7YZM420003++H01	YZ052580	ACCESS.BAND	1.6,15
M70AK010	M70AK010	WIRE SADDLE,RMS-1V0(TAKEUCHI)	2,15

• Parts with "⊙" indicate regular maintenance parts.

KYOCERA MITA EUROPE B.V.

Hoeksteen 40, 2132 MS Hoofddorp,
The Netherlands
Phone: +31.20.654.0000
Home page: <http://www.kyoceramita-europe.com>
Email: info@kyoceramita-europe.com

KYOCERA MITA NEDERLAND B.V.
Beechavenue 25, 1119RA Schiphol-Rijk
The Netherlands
Phone: +31.20.58.77.200

KYOCERA MITA (UK) LTD
8 Beacontree Plaza
Gillette Way Reading Berks RG2 0BS,
U.K.
Phone: +44.1189.311.500

KYOCERA MITA ITALIA S.p.A.
Via G. Verdi, 89 / 91, 20063 Cernusco s/N
Milano, Italy
Phone: +39.02.92179.1

S.A. KYOCERA MITA BELGIUM N.V.
Hermestraat 8A, 1930 Zaventem,
Belgium
Phone: +32.2.720.9270

KYOCERA MITA FRANCE S.A.
Parc Les Algorithmes Saint Aubin
91194 GIF-SUR-YVETTE,
France
Phone: +33.1.6985.2600

KYOCERA MITA ESPAÑA S.A.
Edificio Kyocera, Avda de Manacor No. 2,
28290 Las Matas (Madrid),
Spain
Phone: +34.91.631.8392

KYOCERA MITA FINLAND OY
Kirvesmiehenkatu 4, 00880 Helsinki,
Finland
Phone: +358.9.4780.5200

KYOCERA MITA (SCHWEIZ)
Hohlstrasse 614, 8048 Zürich
Switzerland
Phone: +41.1.908.4949

KYOCERA MITA DEUTSCHLAND GMBH
Otto-Hahn-Str. 12 D-40670 Meerbusch,
Germany
Phone: +49.2159.918.0

KYOCERA MITA GMBH AUSTRIA
Eduard-Kittenberger-Gasse 95,
1230 Wien,
Austria
Phone: +43.1.86338.210

KYOCERA MITA SVENSKA AB
Esbogatan 16B 164 75 Kista,
Sweden
Phone: +46.8.546.55000

KYOCERA MITA NORGE
Postboks 150 Oppsal, NO 0619 Oslo
Olaf Helsetsvai 6, NO 0694 Oslo,
Norway
Phone: +47.22.62.73.00

KYOCERA MITA DANMARK A/S
Ejby Industrivej 1, DK-2600 Glostrup,
Denmark
Phone: +45.5687.1100

KYOCERA MITA PORTUGAL LDA.
Rua do Centro Cultural, 41 (Alvalade) 1700-106 Lisbon,
Portugal
Phone: +351.21.842.9100

KYOCERA MITA SOUTH AFRICA (PTY) LTD.
527 Kyalami Boulevard,
Kyalami Business Park Midrand,
South Africa
Phone: +27.(0)11.540.2600

KYOCERA MITA AMERICA, INC.

Headquarters:
225 Sand Road,
Fairfield, New Jersey 07004-0008,
U.S.A.
Phone: (973) 808-8444

KYOCERA MITA AUSTRALIA PTY. LTD.
Level 3, 6-10 Talavera Road, North Ryde,
N.S.W. 2113 Australia
Phone: (02) 9888-9999

KYOCERA MITA NEW ZEALAND LTD.
1-3 Parkhead Place, Albany
P.O. Box 302 125 NHPC, Auckland,
New Zealand
Phone: (09) 415-4517

KYOCERA MITA (THAILAND) CORP., LTD.
9/209 Ratchada-Prachachem Road,
Bang Sue, Bangkok 10800, Thailand
Phone: (02) 586-0320

KYOCERA MITA SINGAPORE PTE LTD.
121 Genting Lane, 3rd Level,
Singapore 349572
Phone: 67418733

KYOCERA MITA HONG KONG LIMITED
11/F., Mita Centre,
552-566, Castle Peak Road,
Tsuen Wan, New Territories,
Hong Kong
Phone: 24297422

KYOCERA MITA TAIWAN Corporation.
7F-1~2, No.41, Lane 221, Gangchi Rd.
Neihu District, Taipei, Taiwan, 114. R.O.C.
Phone: (02) 87511560

KYOCERA MITA Corporation

2-28, 1-chome, Tamatsukuri, Chuo-ku
Osaka 540-8585, Japan
Phone: (06) 6764-3555
<http://www.kyoceramita.com>

KYOCERA MITA AMERICA, INC.

Headquarters:

225 Sand Road,
Fairfield, New Jersey 07004-0008
TEL : (973) 808-8444
FAX : (973) 882-6000

New York Branch:

1410 Broadway 23rd floor
New York, NY 10018
TEL : (917) 286-5400
FAX : (917) 286-5402

Northeastern Region:

225 Sand Road,
Fairfield, New Jersey 07004-0008
TEL : (973) 808-8444
FAX : (973) 882-4401

Midwestern Region:

201 Hansen Court Suite 119
Wood Dale, Illinois 60191
TEL : (630) 238-9982
FAX : (630) 238-9487

Western Region:

14101 Alton Parkway,
Irvine, California 92618-7006
TEL : (949) 457-9000
FAX : (949) 457-9119

Southeastern Region:

1500 Oakbrook Drive,
Norcross, Georgia 30093
TEL : (770) 729-9786
FAX : (770) 729-9873

Southwestern Region:

2825 West Story Road,
Irving, Texas 75038-5299
TEL : (972) 550-8987
FAX : (972) 252-9786

National Operation Center & National Training Center:

2825 West Story Road,
Irving, Texas 75038-5299
TEL : (972) 659-0055
FAX : (972) 570-5816

Latin America Division:

8240 N.W. 52nd. Terrace Dawson Building,
Suite 108 Miami, Florida 33166
TEL : (305) 421-6640
FAX : (305) 421-6666

KYOCERA MITA CANADA, LTD.

6120 Kestrel Road, Mississauga,
Ontario L5T 1S8, Canada
TEL : (905) 670-4425
FAX : (905) 670-8116

KYOCERA MITA MEXICO, S.A. DE C.V.

Av. 16 de Septiembre #407
Col. Santa Inés,
Azcapotzalco México,
D.F. 02130, México
TEL : (55) 5383-2741
FAX : (55) 5383-7804

©2008 KYOCERA MITA Corporation

<http://www.kyoceramita.com>

 **KYOCERA** is a trademark of Kyocera Corporation

Printed in U.S.A.