



FS-3040MFP

FS-3140MFP

PARTS LIST

Published in December 2014

2LWPL072

842LW122

Rev.2

NOTES

1. Indicate parts number and parts description together with the machine model name when placing an order.

| e.g. | Parts Number | Parts Name | Machine Model | Quantity |
|------|--------------|---|---------------|----------|
| | 302LW94010 | PARTS MAIN PWB ASSY SP (3in1 model) | FS-3040MFP | 1 |
| | 302LX94010 | PARTS MAIN PWB ASSY SP (4in1 model) | FS-3140MFP | 1 |

2. Parts with "*" are component parts or sub-assemblies of the assembly appearing immediately above them.

| e.g. | Parts Number | Parts Name | Parts Number | Parts Name |
|------|--------------|------------|--------------|------------|
| | 302J393032 | DK-320 | • 302J093092 | MC-320 |

— CONTENTS —

| | | | | | |
|---------|-------------------------------|----|---------|-----------------------------|----|
| FIG. 1 | Covers | 2 | FIG. 16 | Electrical Components | 32 |
| FIG. 2 | Frames 1 | 4 | FIG. 17 | Operation Section | 34 |
| FIG. 3 | Frames 2 | 6 | FIG. 18 | Document Processor 1 | 36 |
| FIG. 4 | Paper Cassette | 8 | FIG. 19 | Document Processor 2 | 38 |
| FIG. 5 | Paper Feed Section 1 | 10 | FIG. 20 | Accessories | 40 |
| FIG. 6 | Paper Feed Section 2 | 12 | FIG. 21 | Maintenance Kits | 42 |
| FIG. 7 | Paper Feed Section 3 | 14 | | | |
| FIG. 8 | Paper Feed Section 4 | 16 | | • INDEX | 43 |
| FIG. 9 | Scanner Section | 18 | | | |
| FIG. 10 | Image Formation Section | 20 | | | |
| FIG. 11 | Developing Section | 22 | | | |
| FIG. 12 | Fuser Section 1 | 24 | | | |
| FIG. 13 | Fuser Section 2 | 26 | | | |
| FIG. 14 | Drive Section | 28 | | | |
| FIG. 15 | Exit Section | 30 | | | |

FIG. 1 Covers

2LW/2LX

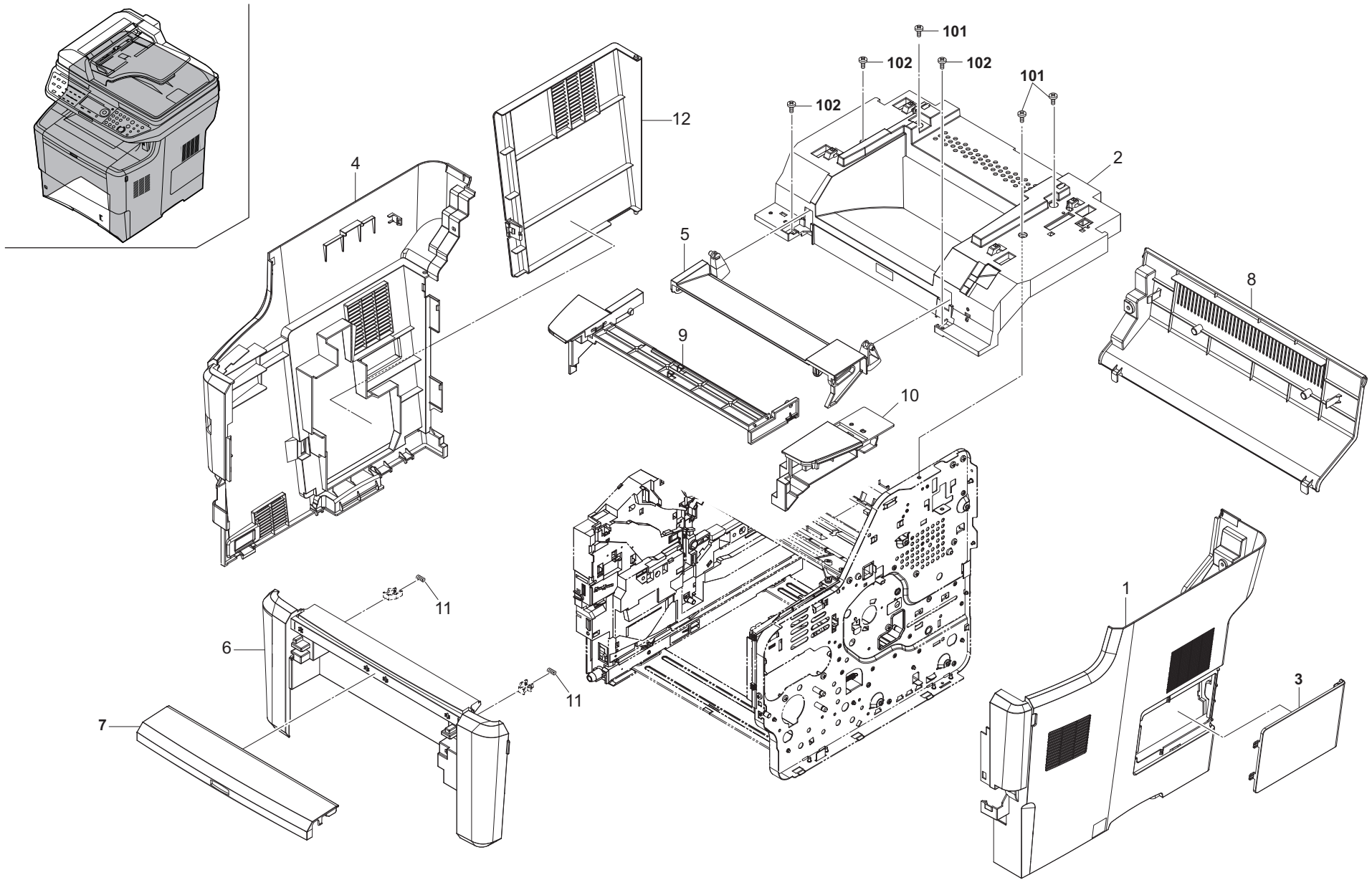


FIG. 1 Covers

2LW/2LX

| Ref. No. | Part.No. | Alternative. | Description | Quantity | | |
|----------|------------|--------------|-----------------------------|----------|-----|-----|
| | | | | 120 | 230 | 240 |
| 1 | 302LW94160 | 2LW94160 | PARTS COVER RIGHT ASSY | 1 | 1 | 1 |
| 2 | 302LW94170 | 2LW94170 | PARTS COVER TOP ASSY | 1 | 1 | 1 |
| 3 | 302LW04070 | 2LW04070 | COVER CONTROLLER | 1 | 1 | 1 |
| 4 | 302LW94130 | 2LW94130 | PARTS COVER LEFT ASSY SP | 1 | 1 | 1 |
| 5 | 302LW94110 | 2LW94110 | PARTS LID TOP A ASSY SP | 1 | 1 | 1 |
| 6 | 302LW94150 | 2LW94150 | PARTS COVER FRONT ASSY SP | 1 | 1 | 1 |
| 7 | 302LW94140 | 2LW94140 | PARTS COVER FRONT B ASSY SP | 1 | 1 | 1 |
| 8 | 302LW04120 | 2LW04120 | COVER REAR | 1 | 1 | 1 |
| 9 | 302LW04150 | 2LW04150 | LID TOP C | 1 | 1 | 1 |
| 10 | 302LW04180 | 2LW04180 | COVER INNER R B | 1 | 1 | 1 |
| 11 | 302H904210 | 2H904210 | SPRING COVER HOOK | 2 | 2 | 2 |
| 12 | 302LW04170 | 2LW04170 | COVER SIDE | 1 | 1 | 1 |

| Ref. No. | Part.No. | Alternative. | Description | Quantity | | |
|----------|-------------|--------------|------------------------|----------|-----|-----|
| | | | | 120 | 230 | 240 |
| 101 | 7BB200410H | BB105700 | +BIND T.T P SCREW 4X10 | | | |
| 102 | 7BB100408H1 | BB105830 | +BIND T.T S SCREW 4X8 | | | |

- Parts with "*" are component parts or sub-assemblies of the assembly appearing immediately above them.

FIG. 2 Frames 1

2LW/2LX

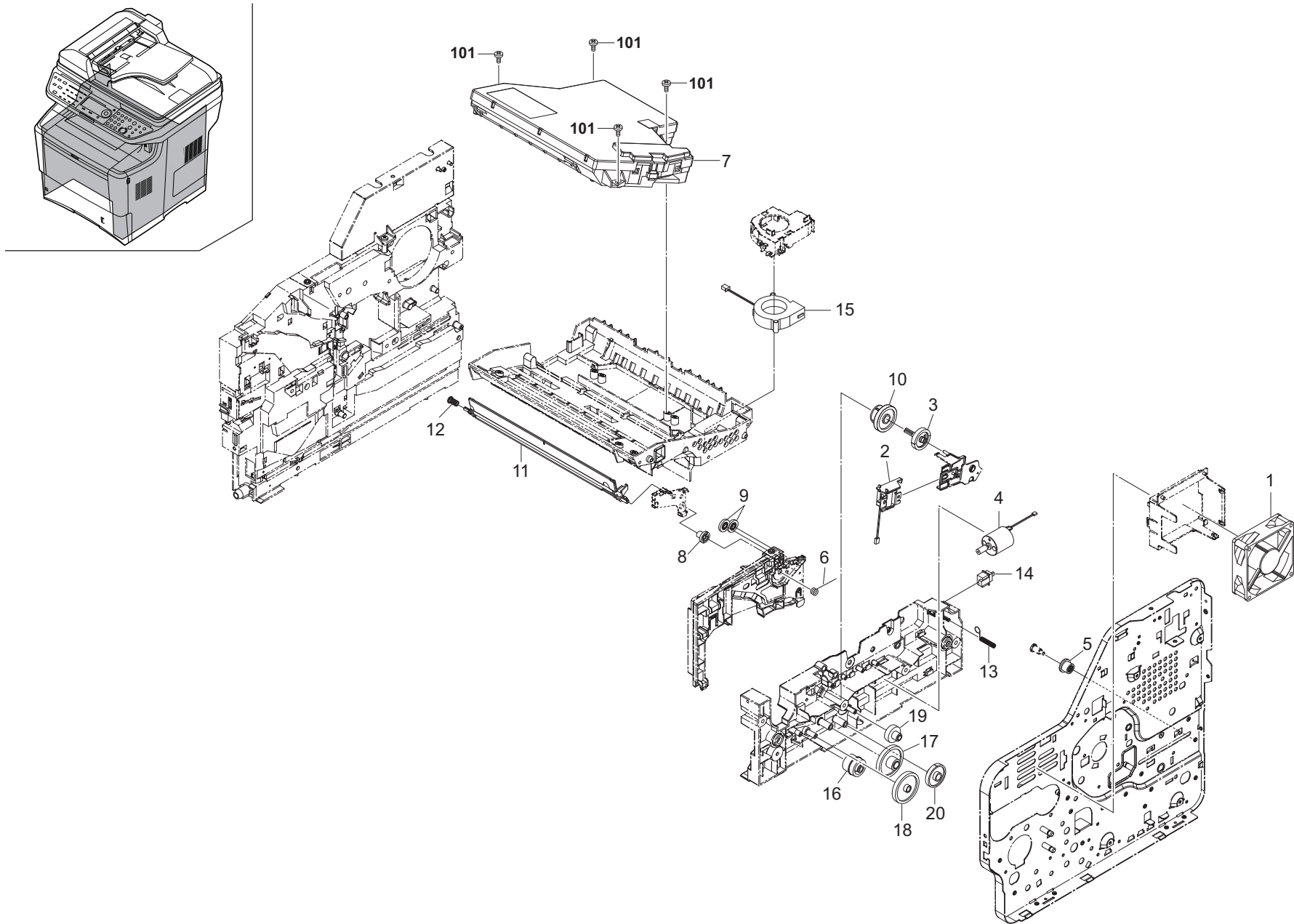


FIG. 2 Frames 1

2LW/2LX

| Ref. No. | Part.No. | Alternative. | Description | Quantity | | |
|----------|-----------------|--------------|--------------------------|----------|-----|-----|
| | | | | 120 | 230 | 240 |
| 1 | 302J044040 | 2J044040 | FAN R 80 | 1 | 1 | 1 |
| 2 | 302F944071 | 2F944071 | SOLENOID DLP | 1 | 1 | 1 |
| 3 | 302F931190 | 2F931190 | GEAR DLP Z31H | 1 | 1 | 1 |
| 4 | 302F994320 | 2F994320 | PARTS MOTOR LIFT ASSY SP | 1 | 1 | 1 |
| 5 | 302F925480 | 2F925480 | PULLEY RAIL DOUBLE | 1 | 1 | 1 |
| 6 | 302F912360 | 2F912360 | SPRING SHUTTER ARM | 1 | 1 | 1 |
| 7 | 302J193040 | 2J193040 | LK-350 | 1 | 1 | 1 |
| 8 | 302F912340 | 2F912340 | GEAR SHUTTER Z16S | 1 | 1 | 1 |
| 9 | 302F912330 | 2F912330 | GEAR SHUTTER Z18S | 2 | 2 | 2 |
| 10 | 302F931600 | 2F931600 | CLUTCH DLP | 1 | 1 | 1 |
| 11 | 302F912310 | 2F912310 | COVER DRUM SHUTTER | 1 | 1 | 1 |
| 12 | 302F912370 | 2F912370 | SPRING SHUTTER L | 1 | 1 | 1 |
| 13 | 302F925872 | 2F925872 | SPRING RAIL SW | 1 | 1 | 1 |
| 14 | 7SP01000001+H01 | SP044290 | SW.PUSH | 1 | 1 | 1 |
| 15 | 302J044070 | 2J044070 | FAN MOTOR | 1 | 1 | 1 |
| 16 | 302F909550 | 2F909550 | GEAR Z26Z15 | 1 | 1 | 1 |
| 17 | 302F909530 | 2F909530 | GEAR Z50Z16 | 1 | 1 | 1 |
| 18 | 302F909540 | 2F909540 | GEAR Z49 | 1 | 1 | 1 |
| 19 | 302F909510 | 2F909510 | GEAR Z40HZ18 | 1 | 1 | 1 |
| 20 | 302F909520 | 2F909520 | GEAR Z60Z16 | 1 | 1 | 1 |

| Ref. No. | Part.No. | Alternative. | Description | Quantity | | |
|----------|-------------|--------------|------------------------|----------|-----|-----|
| | | | | 120 | 230 | 240 |
| 101 | 7BB200416H1 | BB105840 | +BIND T.T P SCREW 4X16 | | | |

- Parts with "+" are component parts or sub-assemblies of the assembly appearing immediately above them.

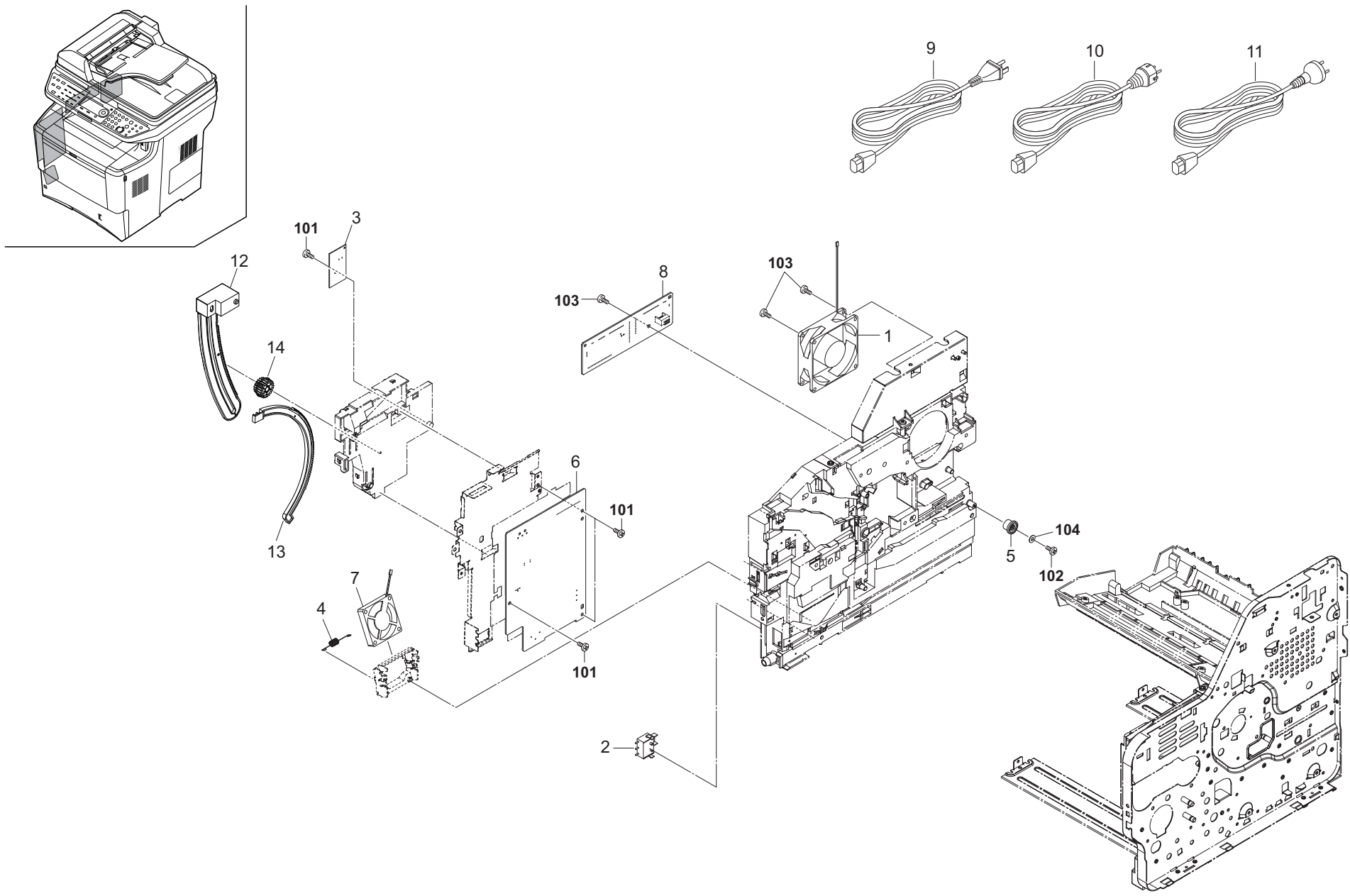


FIG. 3 Frames 2

2LW/2LX-2

| Ref. No. | Part.No. | Alternative. | Description | Quantity | | |
|----------|-----------------|--------------|----------------------------------|----------|-----|-----|
| | | | | 120 | 230 | 240 |
| 1 | 302F944150 | 2F944150 | FAN L 80 | 1 | 1 | 1 |
| 2 | 5FSP03090001+01 | SP0A0360 | PUSH SWITCH 03 SN /SW-192 N | 1 | 1 | 1 |
| 3 | 302LW94200 | 2LW94200 | PARTS PWB ASSY RELAY SP | 1 | 1 | 1 |
| 4 | 302F902410 | 2F902410 | SPRING EARTH FAN | 1 | 1 | 1 |
| 5 | 302F925480 | 2F925480 | PULLEY RAIL DOUBLE | 1 | 1 | 1 |
| 6 | 302LW94040 | 2LW94040 | PARTS SWITCHING REGULATOR (U) SP | 1 | | |
| 6 | 302LW94050 | 2LW94050 | PARTS SWITCHING REGULATOR (E) SP | | 1 | 1 |
| 7 | 302F944160 | 2F944160 | FAN POWER PWB 50 | 1 | 1 | 1 |
| 8 | 302LW94190 | 2LW94190 | PARTS PWB ASSY CONNECT-L SP | 1 | 1 | 1 |
| 9 | 7AAACCUS+10H001 | AA068380 | AC CORD ASSY US | 1 | | |
| 10 | 302FV45020 | 2FV45020 | AC CORD ASSY | | 1 | |
| 11 | 302FV45040 | 2FV45040 | AC CORD ASSY | | | 1 |
| 12 | 302LW02040 | 2LW02040 | RACK LID | 1 | 1 | 1 |
| 13 | 302LW02050 | 2LW02050 | RACK FRONT | 1 | 1 | 1 |
| 14 | 302LW02060 | 2LW02060 | GEAR RACK Z19-22 | 1 | 1 | 1 |

| Ref. No. | Part.No. | Alternative. | Description | Quantity | | |
|----------|-------------|--------------|-------------------------------------|----------|-----|-----|
| | | | | 120 | 230 | 240 |
| 101 | 7BB100306H1 | BB105820 | +BIND T.T S SCREW 3X6 | | | |
| 102 | 7BB202308H | BB105690 | +TP-FLAT T.T P SCREW 3X8 | | | |
| 103 | 7BB200410H | BB105700 | +BIND T.T P SCREW 4X10 | | | |
| 104 | C2804100 | C2804100 | POLYESTER SLIDER WASHER 4.1X10X0.5T | | | |

- Parts with "*" are component parts or sub-assemblies of the assembly appearing immediately above them.

FIG. 4 Paper Cassette

2LW/2LX

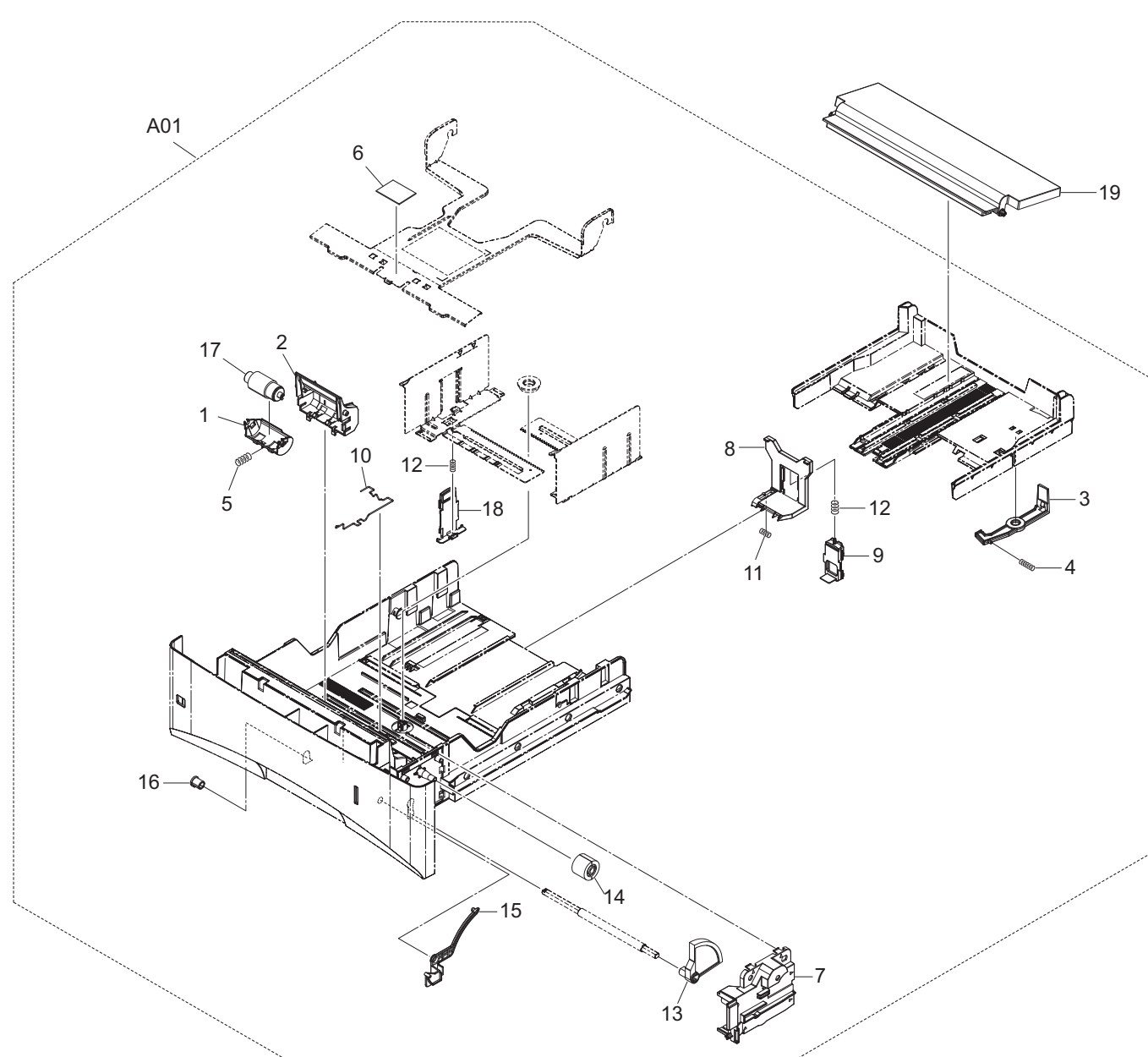
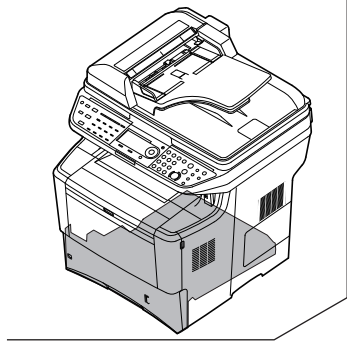


FIG. 5 Paper Feed Section 1

2LW/2LX

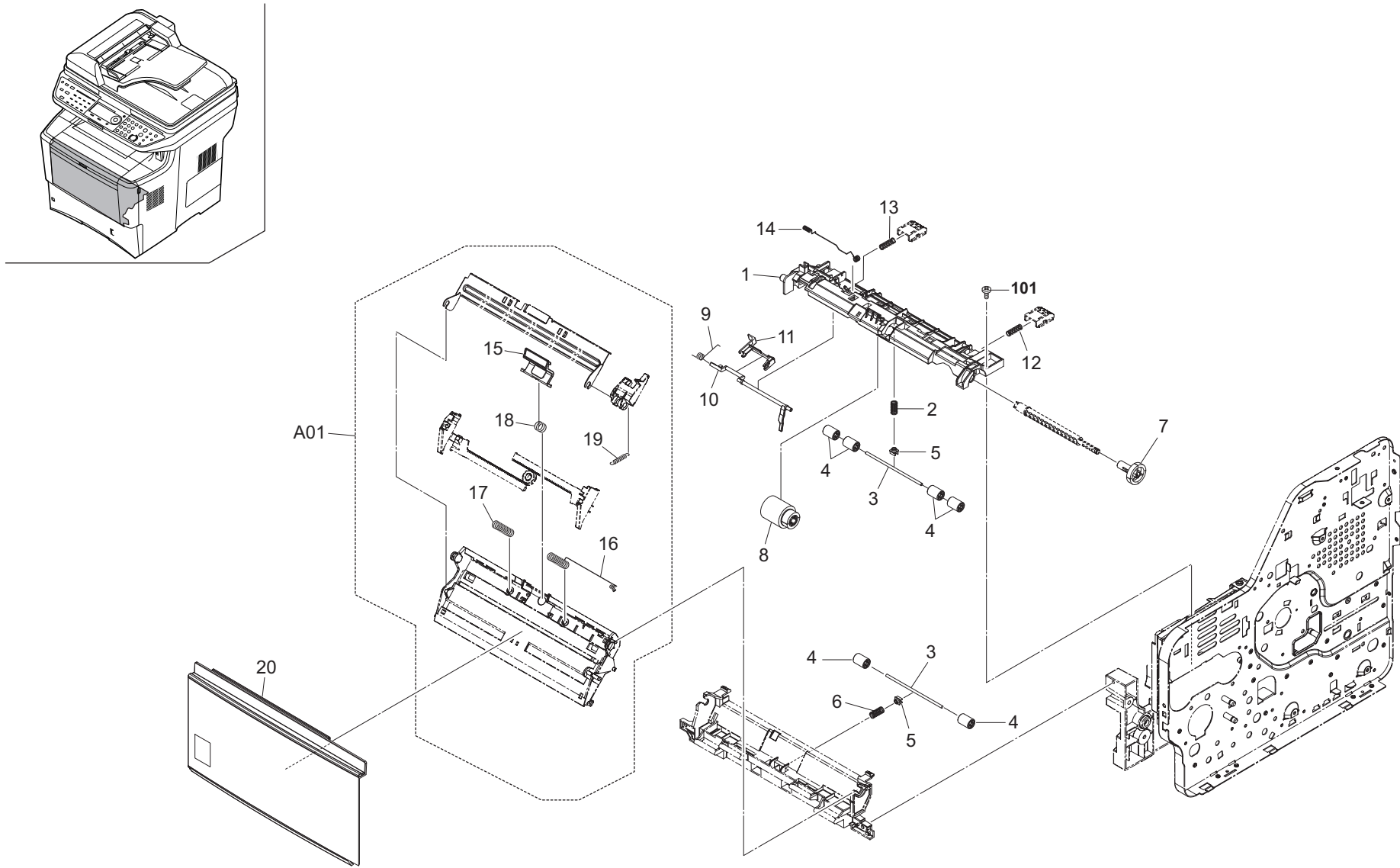


FIG. 5 Paper Feed Section 1

2LW/2LX

| Ref. No. | Part.No. | Alternative. | Description | Quantity | | |
|----------|--------------|--------------|--------------------------------|----------|-----|-----|
| | | | | 120 | 230 | 240 |
| 1 | 302F908021 | 2F931381 | FRAME MPF | 1 | 1 | 1 |
| 2 | 302F908380 | 2F908380 | SP PULLEY FEED | 1 | 1 | 1 |
| 3 | 302F929060 | 2F929060 | SHAFT FEED DU | 2 | 2 | 2 |
| 4 | 302F929050 | 2F929050 | PULLEY FEED DU | 6 | 6 | 6 |
| 5 | 5MVX111DN002 | 3B706590 | BUSH SP PULLEY /40283V0099 A4 | 2 | 2 | 2 |
| 6 | 302F908150 | 2F908150 | SP PULLEY TURN | 1 | 1 | 1 |
| 7 | 302F908130 | 2F908130 | GEAR MPF Z30 | 1 | 1 | 1 |
| 8 | 5AAVR0LL+051 | 2CL16130 | ROLLER M/P ASSY /43487B0027 A4 | 1 | 1 | 1 |
| 9 | 302F908280 | 2F908280 | SP ACTUATOR MPF | 1 | 1 | 1 |
| 10 | 302F908120 | 2F908120 | ACTUATOR MPF A | 1 | 1 | 1 |
| 11 | 302F908210 | 2F908210 | ACTUATOR MPF B | 1 | 1 | 1 |
| 12 | 302F908330 | 2F908330 | SPRING LEVER LOCK R | 1 | 1 | 1 |
| 13 | 302J008050 | 2J008050 | SPRING LEVER LOCK L | 1 | 1 | 1 |
| 14 | 302F908230 | 2F908230 | SPRING EARTH CONNECTOR | 1 | 1 | 1 |
| A01 | 302J094060 | 2J094060 | BASE MPF ASSY SP | 1 | 1 | 1 |
| 15 | •302F994070 | 2F994070 | SEPARATOR MP ASSY | 1 | 1 | 1 |
| 16 | •302F908100 | 2F908100 | SPRING BOTTOM MPF R | 1 | 1 | 1 |
| 17 | •302F908270 | 2F908270 | SP BOTTOM MPF L | 1 | 1 | 1 |
| 18 | •302F908290 | 2F908290 | SP SEPARATOR MPF | 1 | 1 | 1 |
| 19 | •302F908300 | 2F908300 | SPRING LOCK MPF | 1 | 1 | 1 |
| 20 | 302LW94090 | 2LW94090 | PARTS COVER MPF ASSY SP | 1 | 1 | 1 |

| Ref. No. | Part.No. | Alternative. | Description | Quantity | | |
|----------|-------------|--------------|-----------------------|----------|-----|-----|
| | | | | 120 | 230 | 240 |
| 101 | 7BB100408H1 | BB105830 | +BIND T.T S SCREW 4X8 | | | |

- Parts with "•" are component parts or sub-assemblies of the assembly appearing immediately above them.

FIG. 6 Paper Feed Section 2

2LW/2LX

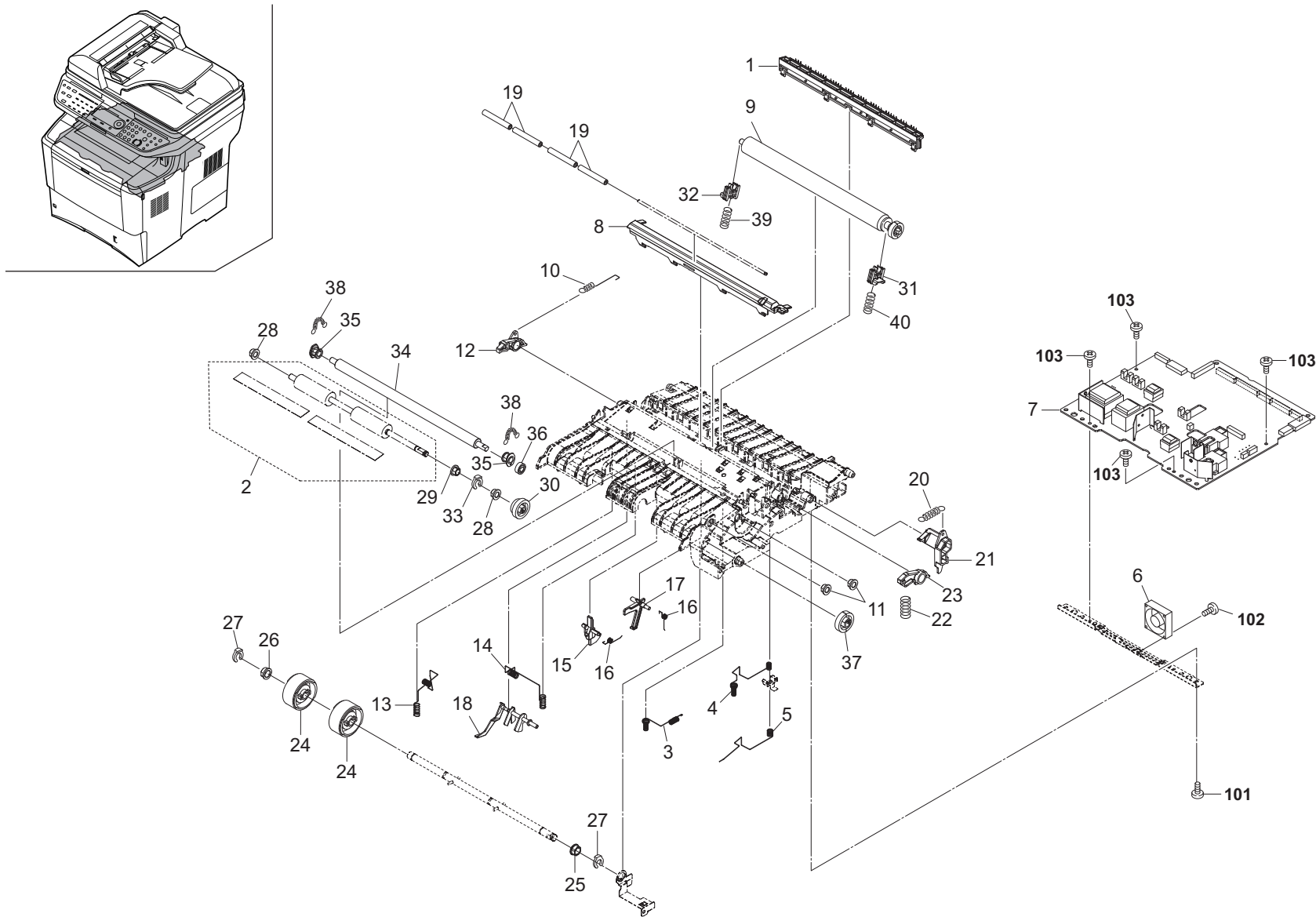


FIG. 6 Paper Feed Section 2

2LW/2LX

| Ref. No. | Part.No. | Alternative. | Description | Quantity | | |
|----------|------------|--------------|--------------------------|----------|-----|-----|
| | | | | 120 | 230 | 240 |
| 1 | 302F994110 | 2F994110 | DC BRUSH ASSY | 1 | 1 | 1 |
| 2 | 302F994120 | 2F994120 | REGIST KIT | 1 | 1 | 1 |
| 3 | 302F924120 | 2F924120 | SPRING TC CHARGE | 1 | 1 | 1 |
| 4 | 302J024020 | 2J024020 | SPRING SEP CHARGE | 1 | 1 | 1 |
| 5 | 302F924140 | 2F924140 | SPRING EARTH | 1 | 1 | 1 |
| 6 | 302J044030 | 2J044030 | FAN ENGINE PWB 35 | 1 | 1 | 1 |
| 7 | 302LW94030 | 2LW94030 | PARTS ENGINE PWB ASSY SP | 1 | 1 | 1 |
| 8 | 302F924071 | 2F924071 | GUIDE PAPER CHUTE | 1 | 1 | 1 |
| 9 | 302F994300 | 2F994300 | ROLLER TRNSFER ASSY SP | 1 | 1 | 1 |
| 10 | 302F924520 | 2F924520 | SP RELEASE TC L | 1 | 1 | 1 |
| 11 | 302F931490 | 2F931490 | BUSH FEED DRIVE | 2 | 2 | 2 |
| 12 | 302F924480 | 2F924480 | LEVER RELEASE DLP L | 1 | 1 | 1 |
| 13 | 302F924280 | 2F924280 | SPRING MAIN CHARGE | 1 | 1 | 1 |
| 14 | 302F924340 | 2F924340 | SPRING BIAS CHARGE | 1 | 1 | 1 |
| 15 | 302F924150 | 2F924150 | ACTUATOR REGIST | 1 | 1 | 1 |
| 16 | 302F924270 | 2F924270 | SPRING REGIST SENSOR | 2 | 2 | 2 |
| 17 | 302F924220 | 2F924220 | ACTUATOR DU | 1 | 1 | 1 |
| 18 | 302F924090 | 2F924090 | LEVER EMPTY | 1 | 1 | 1 |
| 19 | 302F924760 | 2F924760 | PULLEY GUIDE | 4 | 4 | 4 |
| 20 | 302F924380 | 2F924380 | SPRING RELEASE FUSER R | 1 | 1 | 1 |
| 21 | 302F924240 | 2F924240 | LEVER RELEASE FUSER R | 1 | 1 | 1 |
| 22 | 302F924320 | 2F924320 | SPRING RELEASE DLP R | 1 | 1 | 1 |
| 23 | 302F924490 | 2F924490 | LEVER RELEASE DLP R | 1 | 1 | 1 |
| 24 | 302GA24030 | 2GA24030 | ROLLER MIDDLE ASSY | 2 | 2 | 2 |
| 25 | 2BC06510 | 2BC06510 | BUSHING 8 | 1 | 1 | 1 |
| 26 | 302H024830 | 2H024830 | BUSH 8 | 1 | 1 | 1 |
| 27 | 2BC06910 | 2BC06910 | STOPPER 6 | 2 | 2 | 2 |
| 28 | 302H702590 | 2H702590 | BUSH SCREW | 2 | 2 | 2 |
| 29 | 302H024370 | 2H024370 | BUSH 6 EW | 1 | 1 | 1 |
| 30 | 302F924700 | 2F924700 | GEAR REG Z26H-Z33H | 1 | 1 | 1 |
| 31 | 302F924190 | 2F924190 | BUSH TRANSFER R | 1 | 1 | 1 |
| 32 | 302F924830 | 2F924830 | BUSH TRANSFER L | 1 | 1 | 1 |
| 33 | 2BC06980 | 2BC06980 | STOPPER 5 | 1 | 1 | 1 |
| 34 | 302F924020 | 2F924020 | ROLLER REGIST UP | 1 | 1 | 1 |
| 35 | 302F924160 | 2F924160 | BUSH REGIST | 2 | 2 | 2 |
| 36 | 302F924430 | 2F924430 | GEAR REGIST Z23H | 1 | 1 | 1 |
| 37 | 302F931430 | 2F931430 | GEAR FEED ROLL Z27H | 1 | 1 | 1 |
| 38 | 302F924460 | 2F924460 | SPRING REGIST R | 2 | 2 | 2 |
| 39 | 302F924390 | 2F924390 | SPRING TC L | 1 | 1 | 1 |
| 40 | 302F924400 | 2F924400 | SPRING TC R | 1 | 1 | 1 |

| Ref. No. | Part.No. | Alternative. | Description | Quantity | | |
|----------|-------------|--------------|------------------------|----------|-----|-----|
| | | | | 120 | 230 | 240 |
| 101 | 7BB200410H | BB105700 | +BIND T.T P SCREW 4X10 | | | |
| 102 | 7BB100314H | BB112130 | +BIND T.T S SCREW 3X14 | | | |
| 103 | 7BB100306H1 | BB105820 | +BIND T.T S SCREW 3X6 | | | |

- Parts with "*" are component parts or sub-assemblies of the assembly appearing immediately above them.

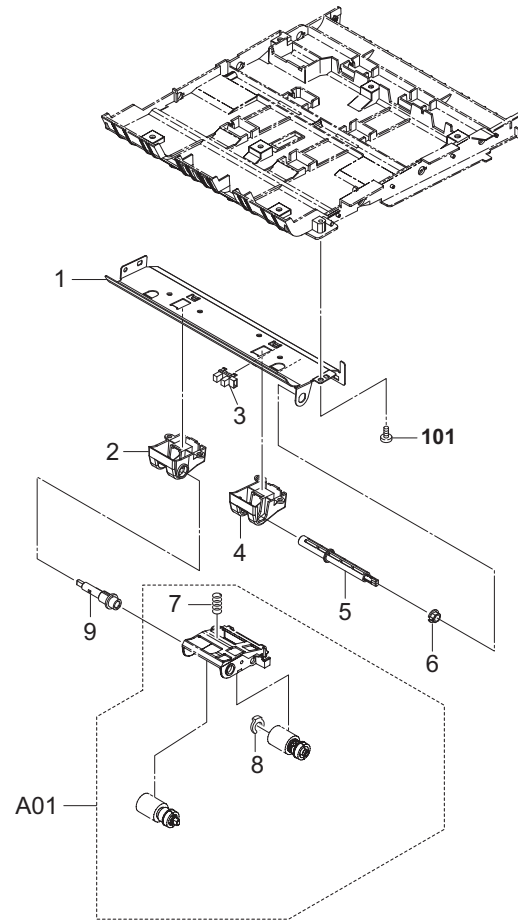
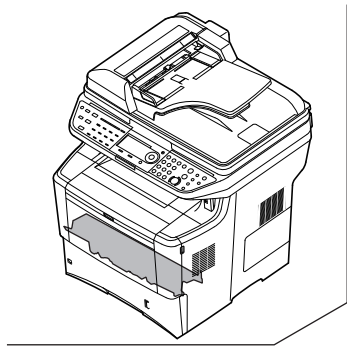


FIG. 8 Paper Feed Section 4

2LW/2LX

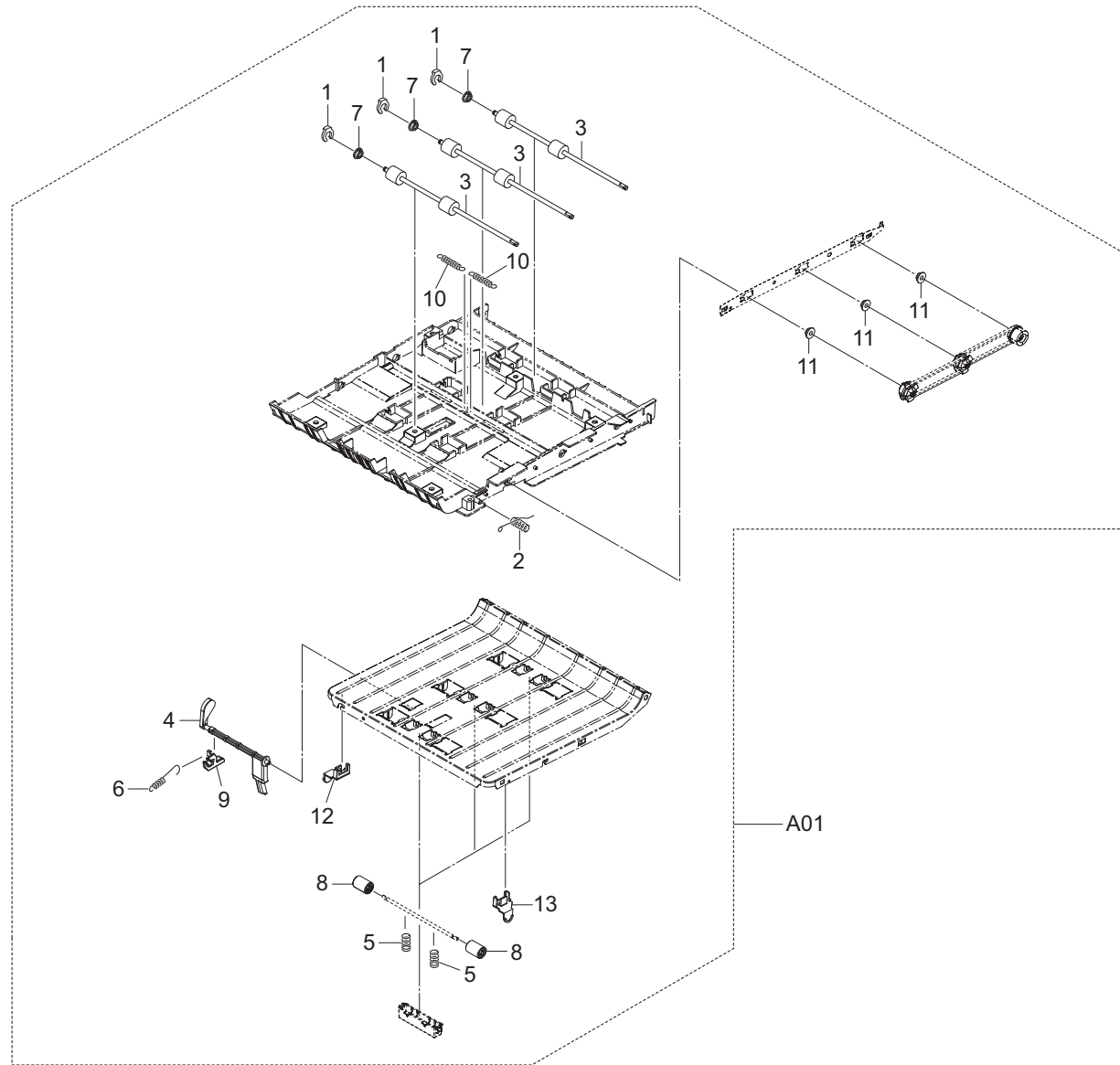
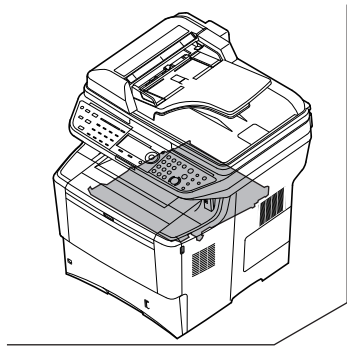
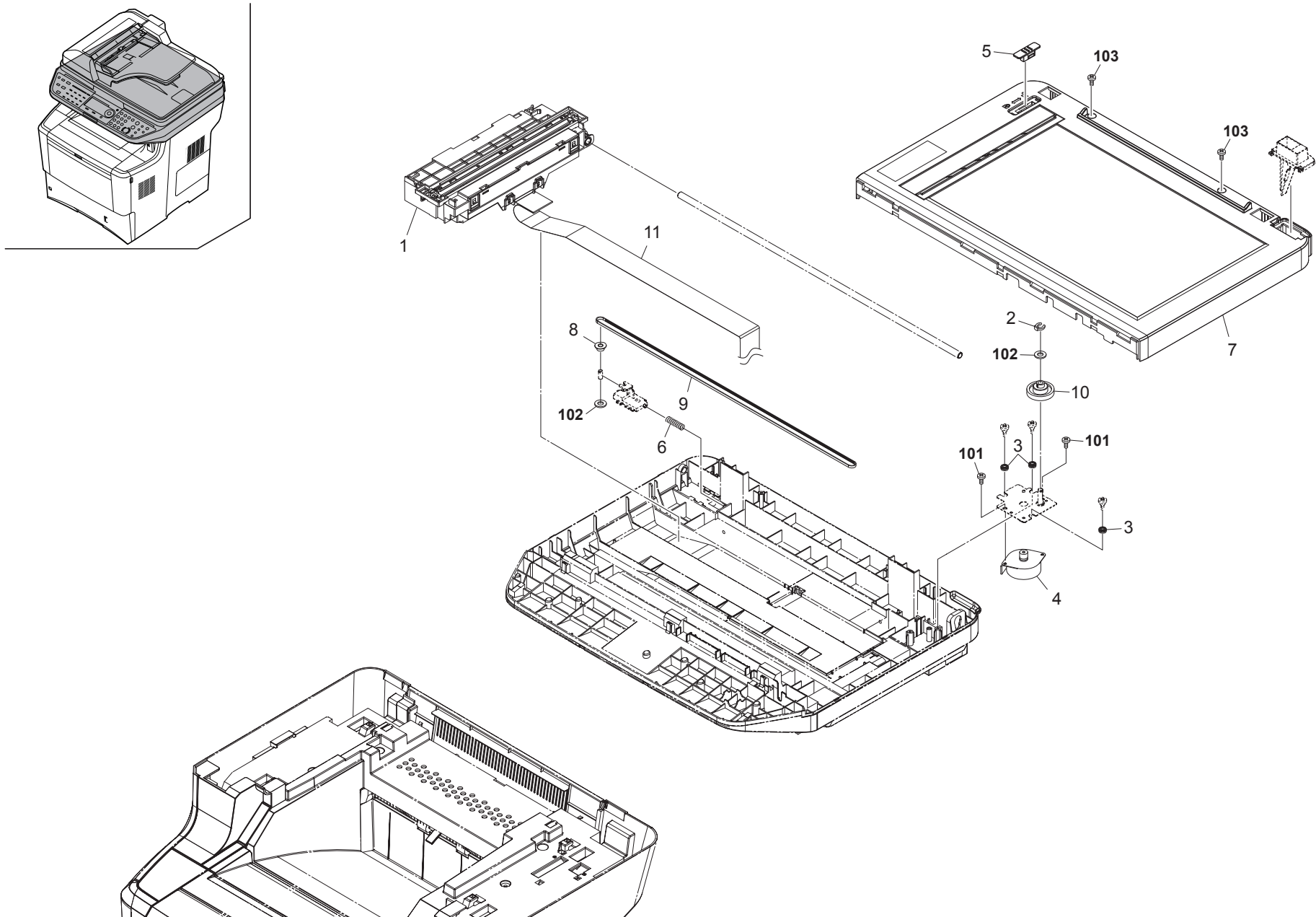
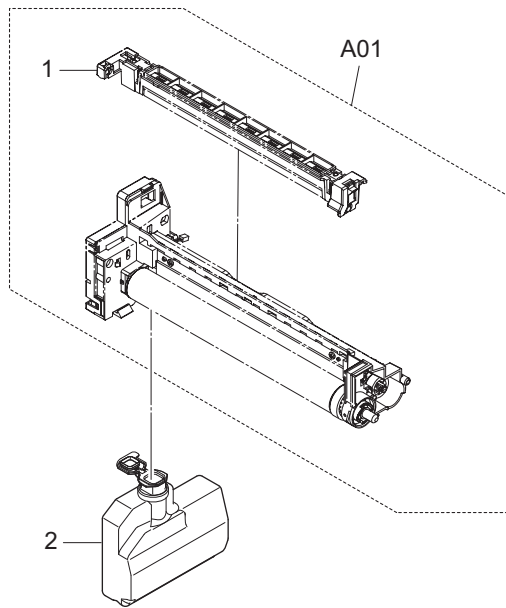
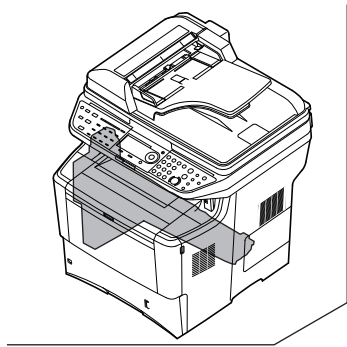
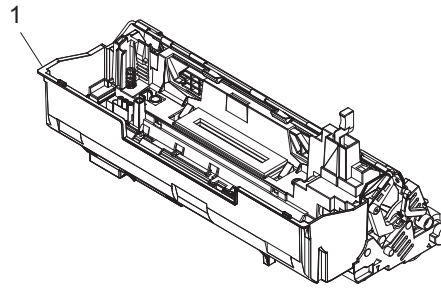
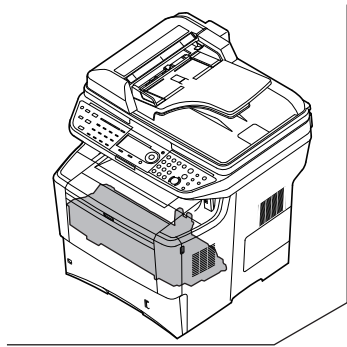


FIG. 9 Scanner Section

2LW/2LX-2







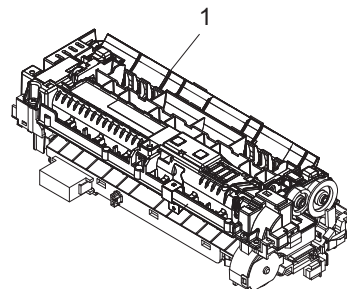
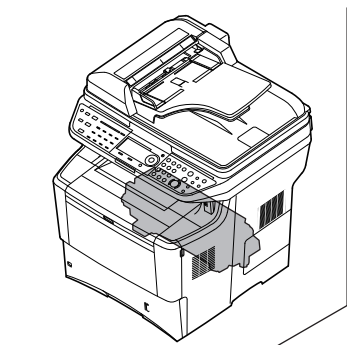


FIG. 13 Fuser Section 2

2LW/2LX

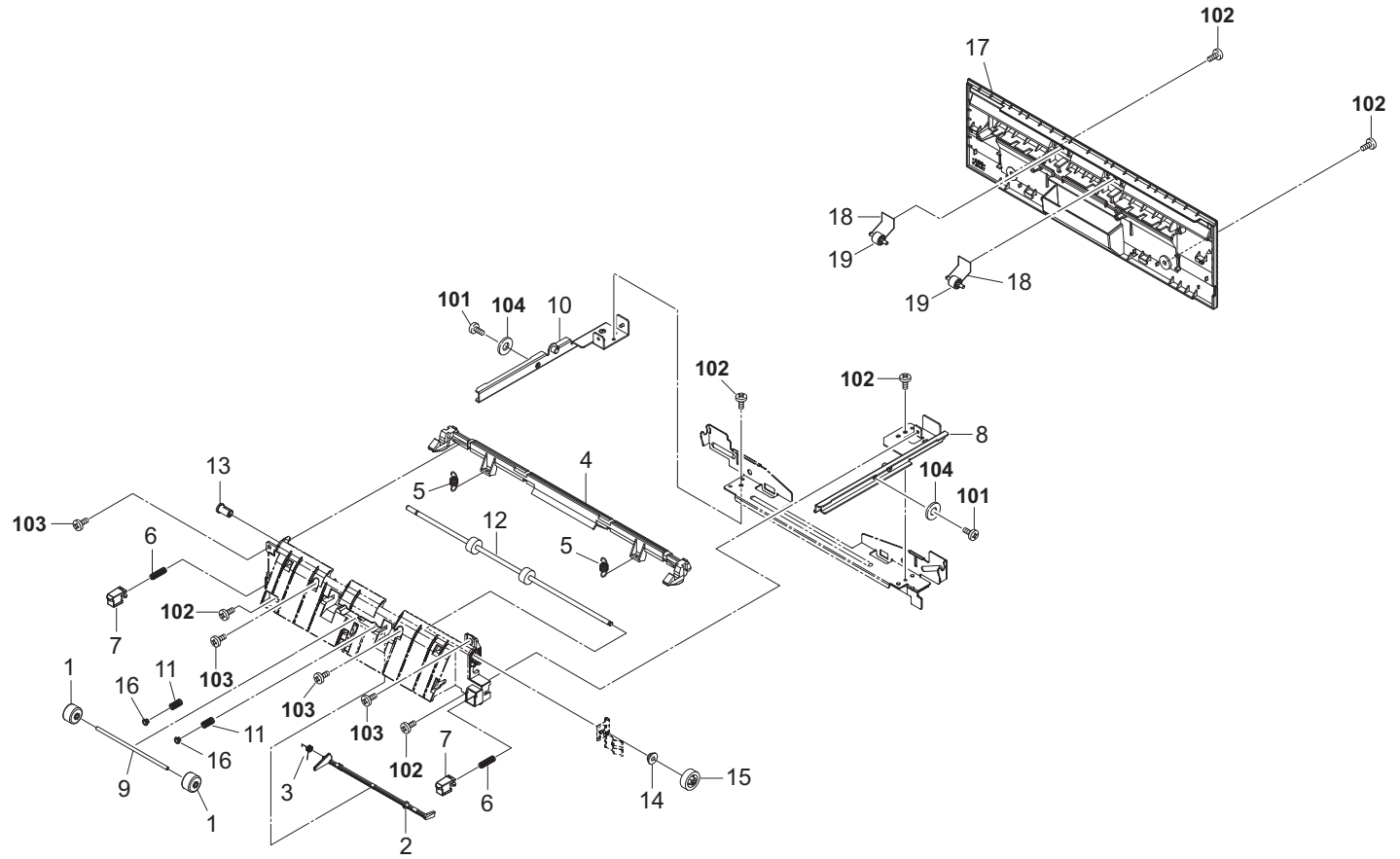
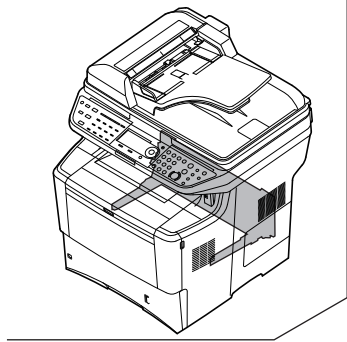


FIG. 13 Fuser Section 2

2LW/2LX

| Ref. No. | Part.No. | Alternative. | Description | Quantity | | |
|----------|------------|--------------|-------------------------------|----------|-----|-----|
| | | | | 120 | 230 | 240 |
| 1 | 302F926060 | 2F926060 | PULLEY SWITCH BACK | 2 | 2 | 2 |
| 2 | 302F925180 | 2F925180 | ACTUATOR DU | 1 | 1 | 1 |
| 3 | 302F925371 | 2F925371 | SPRING ACTUATOR DU | 1 | 1 | 1 |
| 4 | 302J025200 | 2J025200 | LEVER FUSER RELEASE | 1 | 1 | 1 |
| 5 | 302F925750 | 2F925750 | SPRING FUSER RELEASE | 2 | 2 | 2 |
| 6 | 302F925560 | 2F925560 | SPRING LOCK | 2 | 2 | 2 |
| 7 | 302F925550 | 2F925550 | LOCK FUSER | 2 | 2 | 2 |
| 8 | 302F925440 | 2F925440 | INNER RAIL R | 1 | 1 | 1 |
| 9 | 302F929060 | 2F929060 | SHAFT FEED DU | 1 | 1 | 1 |
| 10 | 302F925450 | 2F925450 | INNER RAIL L | 1 | 1 | 1 |
| 11 | 302F925780 | 2F925780 | SPRING DU | 2 | 2 | 2 |
| 12 | 302F925300 | 2F925300 | ROLLER FACE UP | 1 | 1 | 1 |
| 13 | 302FV02470 | 2FV02470 | BUSH FD | 1 | 1 | 1 |
| 14 | 302F929140 | 2F929140 | BUSH DU | 1 | 1 | 1 |
| 15 | 302F925141 | 2F925141 | GEAR EXIT Z21 | 1 | 1 | 1 |
| 16 | 2FM04150 | 5MVM163DN005 | CAP SPRING /B-11 ENCLOSURE A4 | 2 | 2 | 2 |
| 17 | 302J194080 | 2J194080 | COVER REAR ASSY | 1 | 1 | 1 |
| 18 | 302F925350 | 2F925350 | SPRING FACE UP | 2 | 2 | 2 |
| 19 | 302F925160 | 2F925160 | PULLEY FACE UP | 2 | 2 | 2 |

| Ref. No. | Part.No. | Alternative. | Description | Quantity | | |
|----------|--------------|--------------|-------------------------------|----------|-----|-----|
| | | | | 120 | 230 | 240 |
| 101 | 7BB100304H | BB105580 | +BIND T.T S SCREW 3X4 | | | |
| 102 | 7BB100306H1 | BB105820 | +BIND T.T S SCREW 3X6 | | | |
| 103 | 7BB200308H | BB105660 | +BIND T.T P SCREW 3X8 | | | |
| 104 | 5MBWK32808NN | C2803080 | POLY SLIDER /M3.2X 8 X0.8T XX | | | |

• Parts with "*" are component parts or sub-assemblies of the assembly appearing immediately above them.

FIG. 14 Drive Section

2LW/2LX

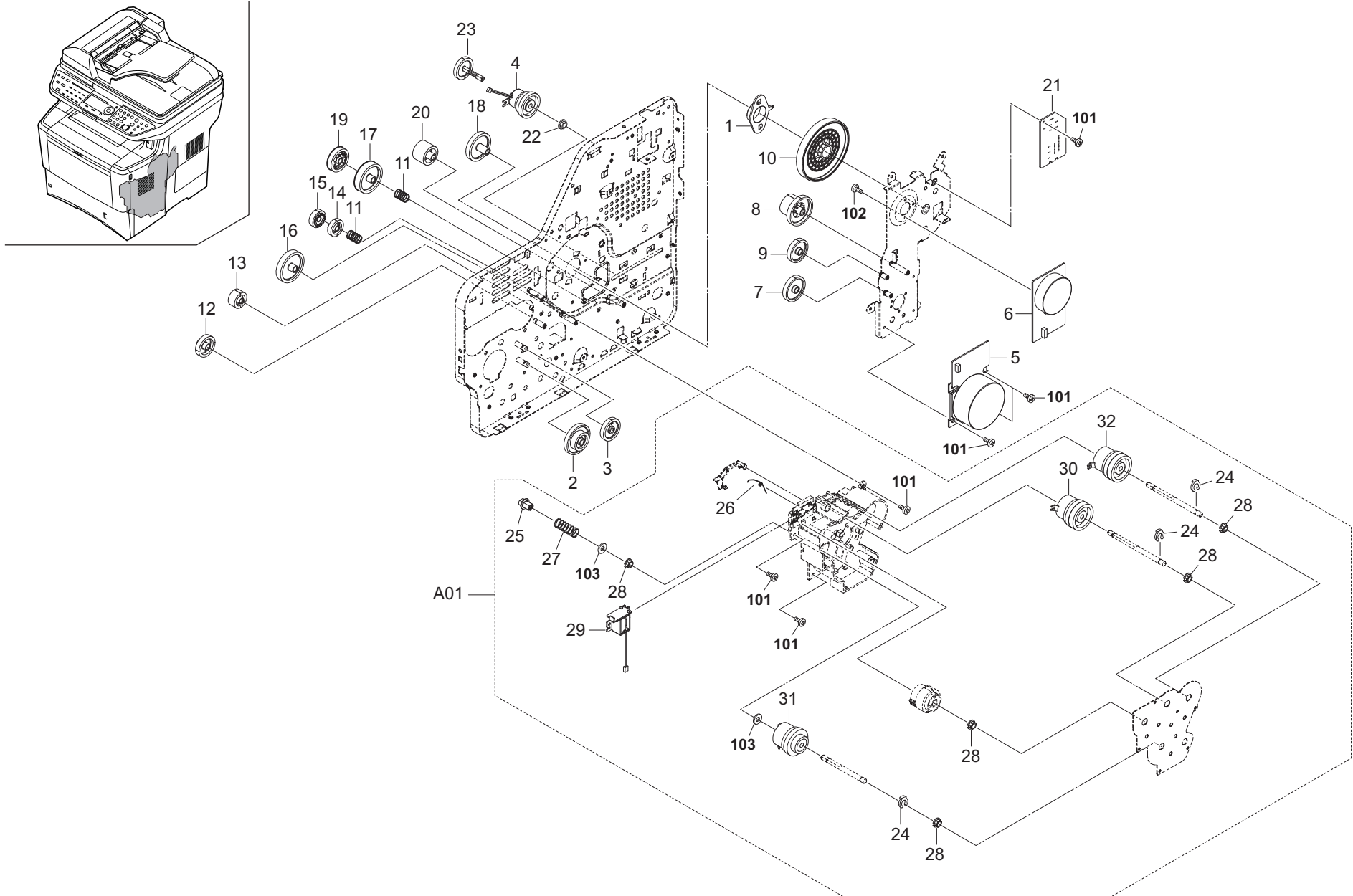


FIG. 14 Drive Section

2LW/2LX

| Ref. No. | Part.No. | Alternative. | Description | Quantity | | |
|----------|-------------|--------------|--------------------------|----------|-----|-----|
| | | | | 120 | 230 | 240 |
| 1 | 302F831060 | 2F831060 | BUSH DRUM | 1 | 1 | 1 |
| 2 | 302F931110 | 2F931110 | GEAR Z95H Z28H | 1 | 1 | 1 |
| 3 | 302F931500 | 2F931500 | GEAR FEED Z34H | 1 | 1 | 1 |
| 4 | 302F944040 | 2F944040 | CLUTCH DUPLEX | 1 | 1 | 1 |
| 5 | 302J031020 | 2J031020 | MOTOR MAIN Z16 | 1 | 1 | 1 |
| 6 | 302J031030 | 2J031030 | MOTOR DRUM Z16 | 1 | 1 | 1 |
| 7 | 302F931020 | 2F931020 | GEAR Z77H | 1 | 1 | 1 |
| 8 | 302F931040 | 2F931040 | GEAR Z90H Z30H | 1 | 1 | 1 |
| 9 | 302F931030 | 2F931030 | GEAR Z70H | 1 | 1 | 1 |
| 10 | 302F931590 | 2F931590 | GEAR Z191H | 1 | 1 | 1 |
| 11 | 302F931270 | 2F931270 | SPRING FUSER | 2 | 2 | 2 |
| 12 | 302F931200 | 2F931200 | GEAR DLP Z32H | 1 | 1 | 1 |
| 13 | 302F931290 | 2F931290 | GEAR DLP Z24H | 1 | 1 | 1 |
| 14 | 302F931300 | 2F931300 | GEAR DLP JOINT Z25H | 1 | 1 | 1 |
| 15 | 302F931310 | 2F931310 | GEAR DLP Z25H | 1 | 1 | 1 |
| 16 | 302F931050 | 2F931050 | GEAR Z48H | 1 | 1 | 1 |
| 17 | 302F931060 | 2F931060 | GEAR Z46H | 1 | 1 | 1 |
| 18 | 302F931080 | 2F931080 | GEAR Z45S | 1 | 1 | 1 |
| 19 | 302F931070 | 2F931070 | GEAR Z37S | 1 | 1 | 1 |
| 20 | 302F931090 | 2F931090 | GEAR Z30S | 1 | 1 | 1 |
| 21 | 302J101050 | 2J101050 | P.W.BOARD ASSY CONNECT-R | 1 | 1 | 1 |
| 22 | 302F931490 | 2F931490 | BUSH FEED DRIVE | 1 | 1 | 1 |
| 23 | 302F931100 | 2F931100 | GEAR Z34S | 1 | 1 | 1 |
| A01 | 302F994031 | 2F994031 | FEED DRIVE ASSY SP | 1 | 1 | 1 |
| 24 | •2BC06980 | 2BC06980 | STOPPER 5 | 3 | 3 | 3 |
| 25 | •302F931350 | 2F931350 | JOINT SHAFT CASSETTE | 1 | 1 | 1 |
| 26 | •302F931381 | 2F931381 | SPRING MPF CAM | 1 | 1 | 1 |
| 27 | •302F931450 | 2F931450 | SPRING FEED | 1 | 1 | 1 |
| 28 | •302F931490 | 2F931490 | BUSH FEED DRIVE | 5 | 5 | 5 |
| 29 | •302F944060 | 2F944060 | SOLENOID MPF | 1 | 1 | 1 |
| 30 | •302F944200 | 2F944200 | CLUTCH MID FEED | 1 | 1 | 1 |
| 31 | •302F944210 | 2F944210 | CLUTCH CASSETTE | 1 | 1 | 1 |
| 32 | •302F944220 | 2F944220 | CLUTCH REGIST | 1 | 1 | 1 |

| Ref. No. | Part.No. | Alternative. | Description | Quantity | | |
|----------|-------------|--------------|-------------------------------------|----------|-----|-----|
| | | | | 120 | 230 | 240 |
| 101 | 7BB100306H1 | BB105820 | +BIND T.T S SCREW 3X6 | | | |
| 102 | 7BB000304H | BB105720 | +BIND M SCREW 3X4 | | | |
| 103 | C2806120 | C2806120 | POLYESTER SLIDER WASHER 6.2X12X0.5T | | | |

- Parts with "•" are component parts or sub-assemblies of the assembly appearing immediately above them.

FIG. 15 Exit Section

2LW/2LX

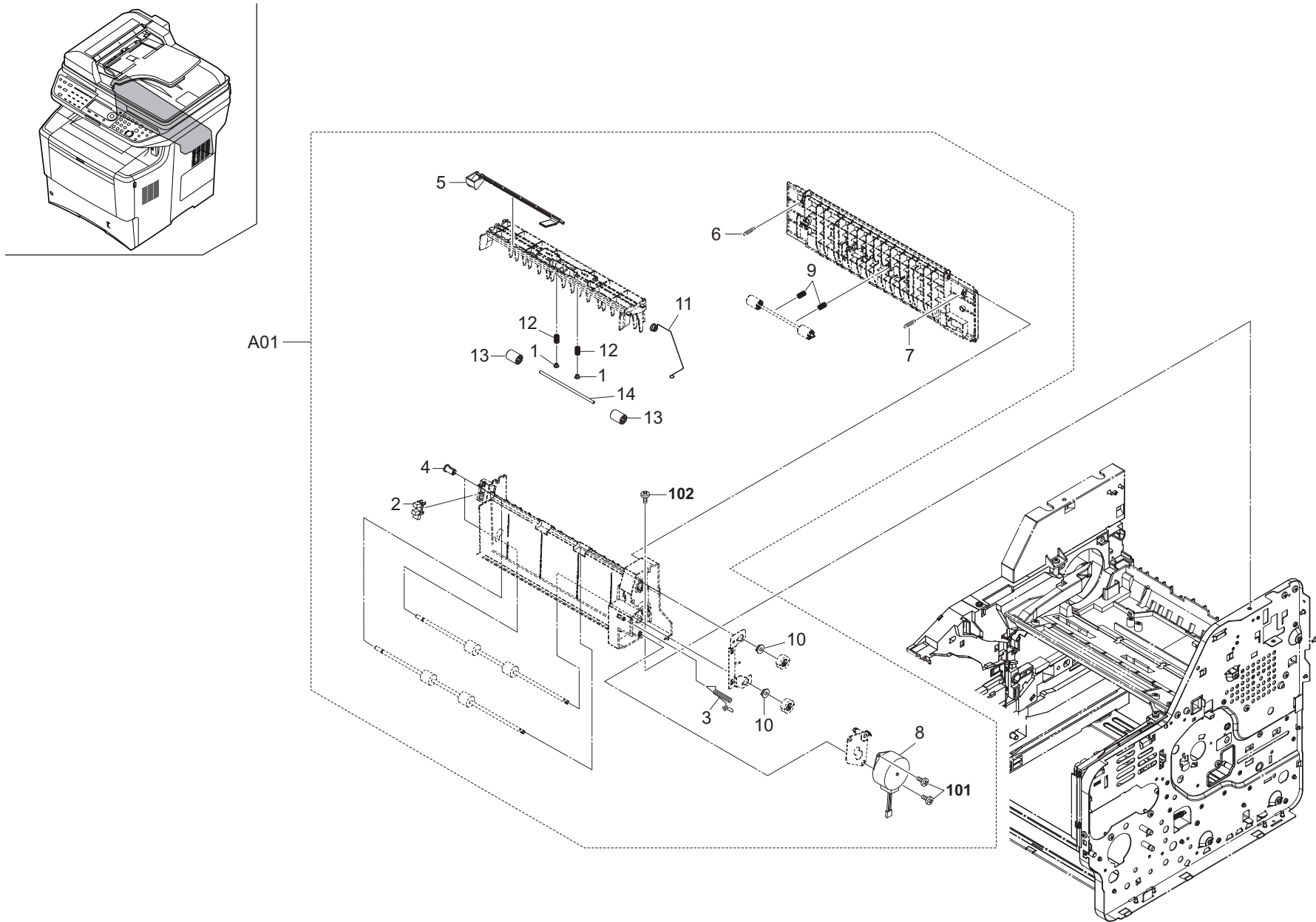


FIG. 15 Exit Section

2LW/2LX

| Ref. No. | Part.No. | Alternative. | Description | Quantity | | |
|----------|------------------|--------------|-------------------------------|----------|-----|-----|
| | | | | 120 | 230 | 240 |
| A01 | 302LW94180 | 2LW94180 | PARTS FD UNIT SP | 1 | 1 | 1 |
| 1 | •2FM04150 | 5MVM163DN005 | CAP SPRING /B-11 ENCLOSURE A4 | 2 | 2 | 2 |
| 2 | •7NXTLP1255++H01 | NX046610 | SENSOR OPT. | 1 | 1 | 1 |
| 3 | •302J028020 | 2J028020 | SPRING EARTH A | 1 | 1 | 1 |
| 4 | •302FV02470 | 2FV02470 | BUSH FD | 2 | 2 | 2 |
| 5 | •302F928100 | 2F928100 | ACTUATOR OVERFLOW | 1 | 1 | 1 |
| 6 | •302F928130 | 2F928130 | SPRING COVER FD L | 1 | 1 | 1 |
| 7 | •302F928140 | 2F928140 | SPRING COVER FD R | 1 | 1 | 1 |
| 8 | •302F944130 | 2F944130 | MOTOR EJECT | 1 | 1 | 1 |
| 9 | •302F928170 | 2F928170 | SPRING PULLEY | 2 | 2 | 2 |
| 10 | •302F929140 | 2F929140 | BUSH DU | 2 | 2 | 2 |
| 11 | •302F928231 | 2F928231 | SPRING DISCHARGER | 1 | 1 | 1 |
| 12 | •302F928310 | 2F928310 | SPRING PULLEY 35 | 2 | 2 | 2 |
| 13 | •302F929050 | 2F929050 | PULLEY FEED DU | 2 | 2 | 2 |
| 14 | •302F929060 | 2F929060 | SHAFT FEED DU | 1 | 1 | 1 |

| Ref. No. | Part.No. | Alternative. | Description | Quantity | | |
|----------|-----------------|--------------|----------------------------------|----------|-----|-----|
| | | | | 120 | 230 | 240 |
| 101 | 5MBSPP3006NW++R | B0B03060 | PAN HEAD SCREW(+)/ M3 X 6 CRFREE | | | |
| 102 | 7BB100408H1 | BB105830 | +BIND T.T S SCREW 4X8 | | | |

• Parts with "*" are component parts or sub-assemblies of the assembly appearing immediately above them.

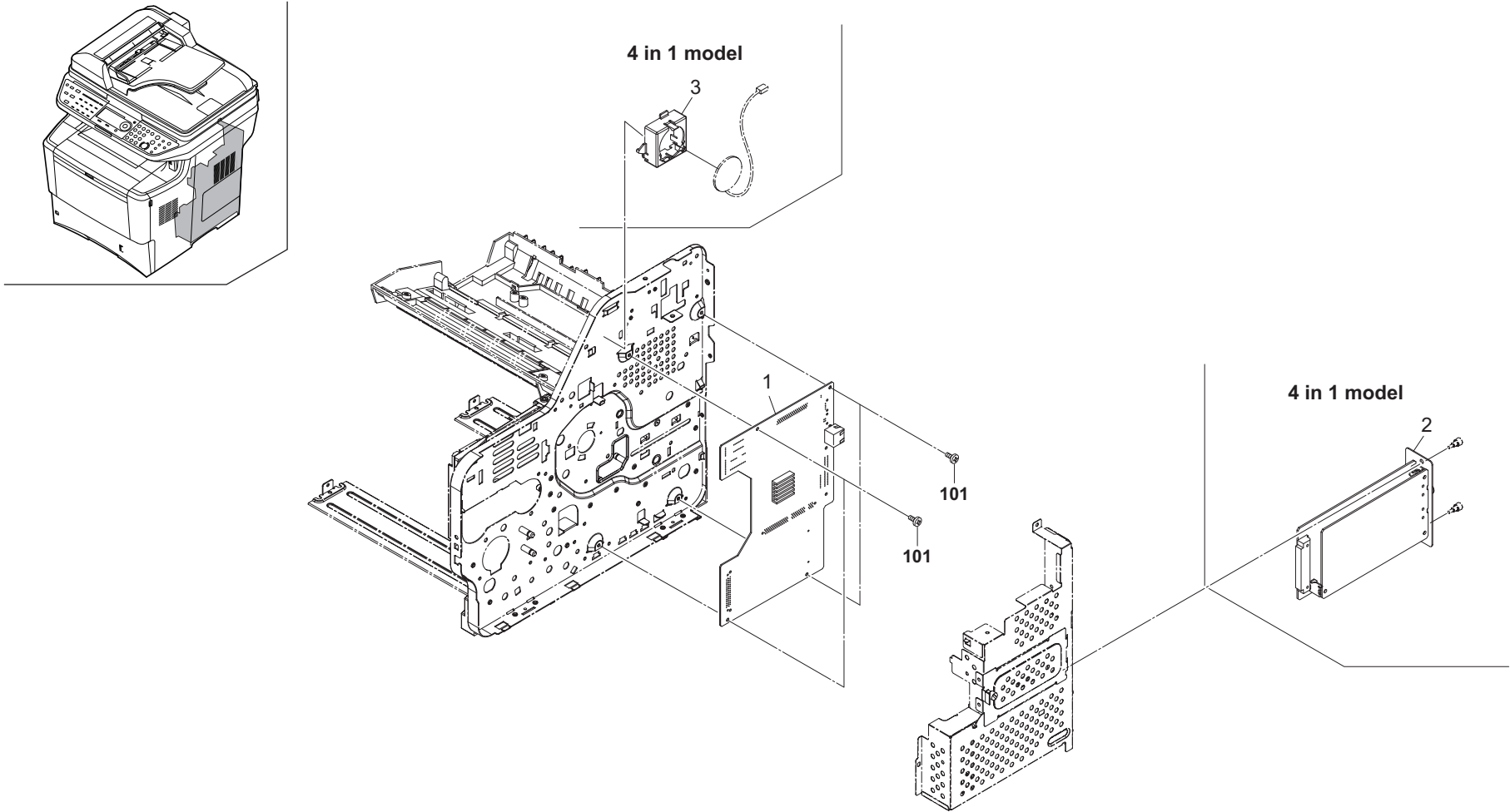


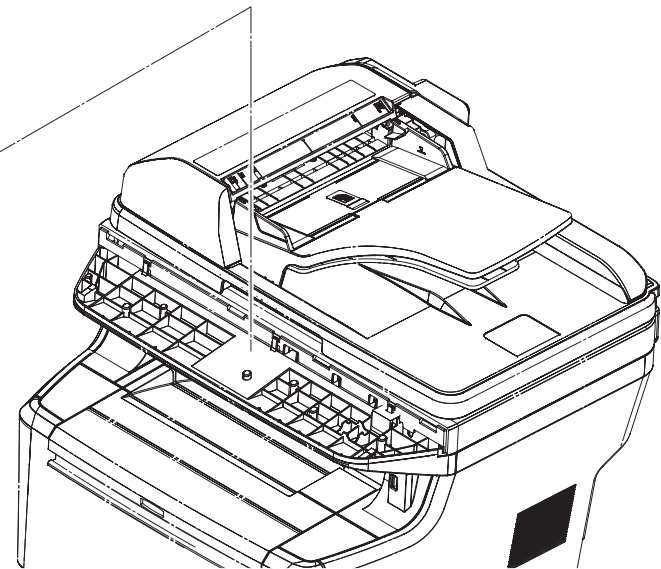
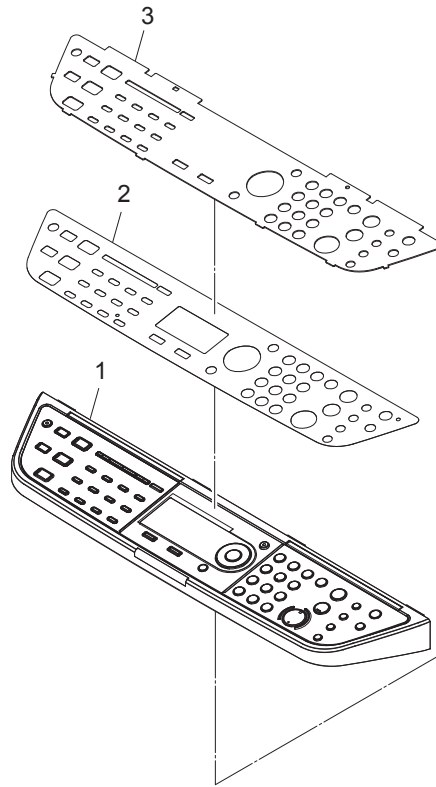
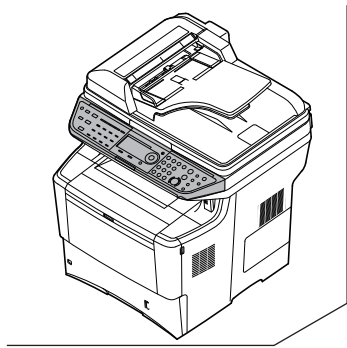
FIG. 16 Electrical Components

2LW/2LX-1

| Ref. No. | Part.No. | Alternative. | Description | Quantity | | |
|----------|------------|--------------|---------------------------------------|----------|-----|-----|
| | | | | 120 | 230 | 240 |
| 1 | 302LW94011 | 2LW94011 | PARTS MAIN PWB ASSY SP (3in1 model) | 1 | | 1 |
| 1 | 302LW94021 | 2LW94021 | PARTS MAIN PWB ASSY E SP (3in1 model) | | 1 | |
| 1 | 302LX94011 | 2LX94011 | PARTS MAIN PWB ASSY SP (4in1 model) | 1 | | 1 |
| 1 | 302LX94021 | 2LX94021 | PARTS MAIN PWB ASSY E SP (4in1 model) | | 1 | |
| 2 | 302LX94070 | 2LX94070 | PARTS FAX UNIT(E) SP (4in1 model) | | 1 | |
| 2 | 302LX94080 | 2LX94080 | PARTS FAX UNIT(U) SP (4in1 model) | 1 | | |
| 2 | 302LX94100 | 2LX94100 | PARTS FAX UNIT(AS) SP (4in1 model) | | | 1 |
| 3 | 302JN02010 | 2JN02010 | MOUNT SPEAKER (4in1 model) | 1 | 1 | 1 |

| Ref. No. | Part.No. | Alternative. | Description | Quantity | | |
|----------|-------------|--------------|-----------------------|----------|-----|-----|
| | | | | 120 | 230 | 240 |
| 101 | 7BB100306H1 | BB105820 | +BIND T.T S SCREW 3X6 | | | |

- Parts with "*" are component parts or sub-assemblies of the assembly appearing immediately above them.



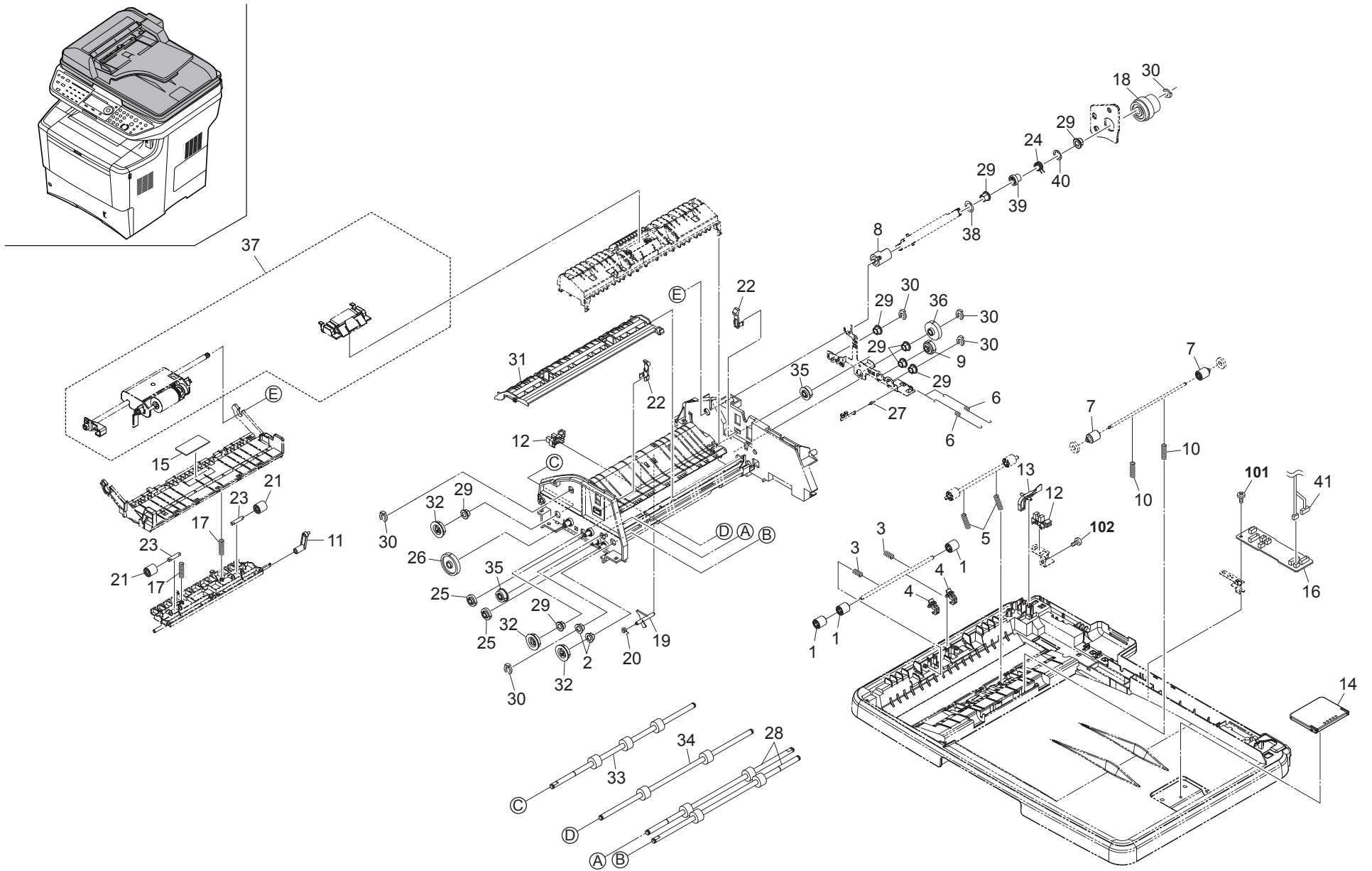


FIG. 18 Document Processor 1

2LW/2LX-2

| Ref. No. | Part.No. | Alternative. | Description | Quantity | | |
|----------|-----------------|--------------|---------------------------------|----------|-----|-----|
| | | | | 120 | 230 | 240 |
| 1 | 303JX29160 | 3JX29160 | PULLEY CONVEYING | 3 | 3 | 3 |
| 2 | 302H702590 | 2H702590 | BUSH SCREW | 2 | 2 | 2 |
| 3 | 303LJ24230 | 3LJ24230 | SPRING REGIST | 2 | 2 | 2 |
| 4 | 303LJ02150 | 3LJ02150 | LEVER RELEASE | 2 | 2 | 2 |
| 5 | 303LJ24121 | 3LJ24121 | SPRING CONVEYING | 2 | 2 | 2 |
| 6 | 303LJ02240 | 3LJ02240 | SPRING GND A | 2 | 2 | 2 |
| 7 | 3HK10030 | 3HK10030 | PULLEY EJECT | 2 | 2 | 2 |
| 8 | 302LW07060 | 2LW07060 | JOINT PF ROLLER | 1 | 1 | 1 |
| 9 | 303LJ31060 | 3LJ31060 | GEAR Z32S | 1 | 1 | 1 |
| 10 | 303LJ24150 | 3LJ24150 | SPRING EXIT | 2 | 2 | 2 |
| 11 | 303LJ29060 | 3LJ29060 | LEVER PRESSURE | 1 | 1 | 1 |
| 12 | 7NXSG2481+++H01 | NX052600 | SENSOR OPT. | 2 | 2 | 2 |
| 13 | 303K502200 | 3K502200 | ACTUATOR BASE | 1 | 1 | 1 |
| 14 | 303LJ02120 | 3LJ02120 | STOPPER ORIGINAL | 1 | 1 | 1 |
| 15 | 3HK07240 | 3HK07240 | FRICION PLATE LF | 1 | 1 | 1 |
| 16 | 303LJ94010 | 3LJ94010 | PARTS DRIVER PWB ASSY SP | 1 | 1 | 1 |
| 17 | 303LJ29040 | 3LJ29040 | SPRING LOOP PRESSURE | 2 | 2 | 2 |
| 18 | 303LJ44040 | 3LJ44040 | CLUTCH PAPER FEED | 1 | 1 | 1 |
| 19 | 303LJ24080 | 3LJ24080 | ACTUATOR TIMING | 1 | 1 | 1 |
| 20 | 303LJ24090 | 3LJ24090 | SPRING TIMING | 1 | 1 | 1 |
| 21 | 3HL10140 | 3HL10140 | PULLEY LOOP | 2 | 2 | 2 |
| 22 | 303LJ24190 | 3LJ24190 | HOOK PF COVER | 2 | 2 | 2 |
| 23 | 3H608150 | 3H608150 | SHAFT C PULLEY | 2 | 2 | 2 |
| 24 | 3HK07140 | 3HK07140 | SPRING LF | 1 | 1 | 1 |
| 25 | 303LJ31050 | 3LJ31050 | GEAR Z28S | 2 | 2 | 2 |
| 26 | 303LJ31090 | 3LJ31090 | GEAR Z56S | 1 | 1 | 1 |
| 27 | 303LJ02250 | 3LJ02250 | SPRING GND B | 1 | 1 | 1 |
| 28 | 303LJ94040 | 3LJ94040 | PARTS ROLLER EXIT SP | 2 | 2 | 2 |
| 29 | 3CY07080 | 3CY07080 | BUSHING 6 | 8 | 8 | 8 |
| 30 | 5MVX111DN003 | 2A806250 | RING STOPPER /A-49 FEED A4 | 6 | 6 | 6 |
| 31 | 303LJ24101 | 3LJ24101 | GUIDE SEPARATION | 1 | 1 | 1 |
| 32 | 303LJ31080 | 3LJ31080 | GEAR Z35S | 3 | 3 | 3 |
| 33 | 303LJ94020 | 3LJ94020 | PARTS ROLLER A CONVEYING SP | 1 | 1 | 1 |
| 34 | 303LJ94030 | 3LJ94030 | PARTS ROLLER B CONVEYING SP | 1 | 1 | 1 |
| 35 | 303LJ31100 | 3LJ31100 | GEAR T Z28S | 2 | 2 | 2 |
| 36 | 303LJ94050 | 3LJ94050 | PARTS GEAR Z46S ONEWAY SP | 1 | 1 | 1 |
| 37 | 1702LX0UN0 | 072LX0UN | MK-370/MAINTENANCE KIT (OPTION) | 1 | 1 | 1 |
| 38 | 303HL22200 | 3HL22200 | PLATE GND | 1 | 1 | 1 |
| 39 | 3HK07080 | 3HK07080 | COLLAR S SPRING | 1 | 1 | 1 |
| 40 | 3HK07270 | 3HK07270 | COLLAR PF | 1 | 1 | 1 |
| 41 | 302LW46040 | 2LW46040 | CONN.CORD ASSY S03616 | 1 | 1 | 1 |

| Ref. No. | Part.No. | Alternative. | Description | Quantity | | |
|----------|------------|--------------|--------------------------|----------|-----|-----|
| | | | | 120 | 230 | 240 |
| 101 | 7BB202308H | BB105690 | +TP-FLAT T.T P SCREW 3X8 | | | |
| 102 | 7BB700308H | BB105600 | +BIND T.T S SCREW 3X8 SR | | | |

- Parts with "*" are component parts or sub-assemblies of the assembly appearing immediately above them.

FIG. 19 Document Processor 2

2LW/2LX

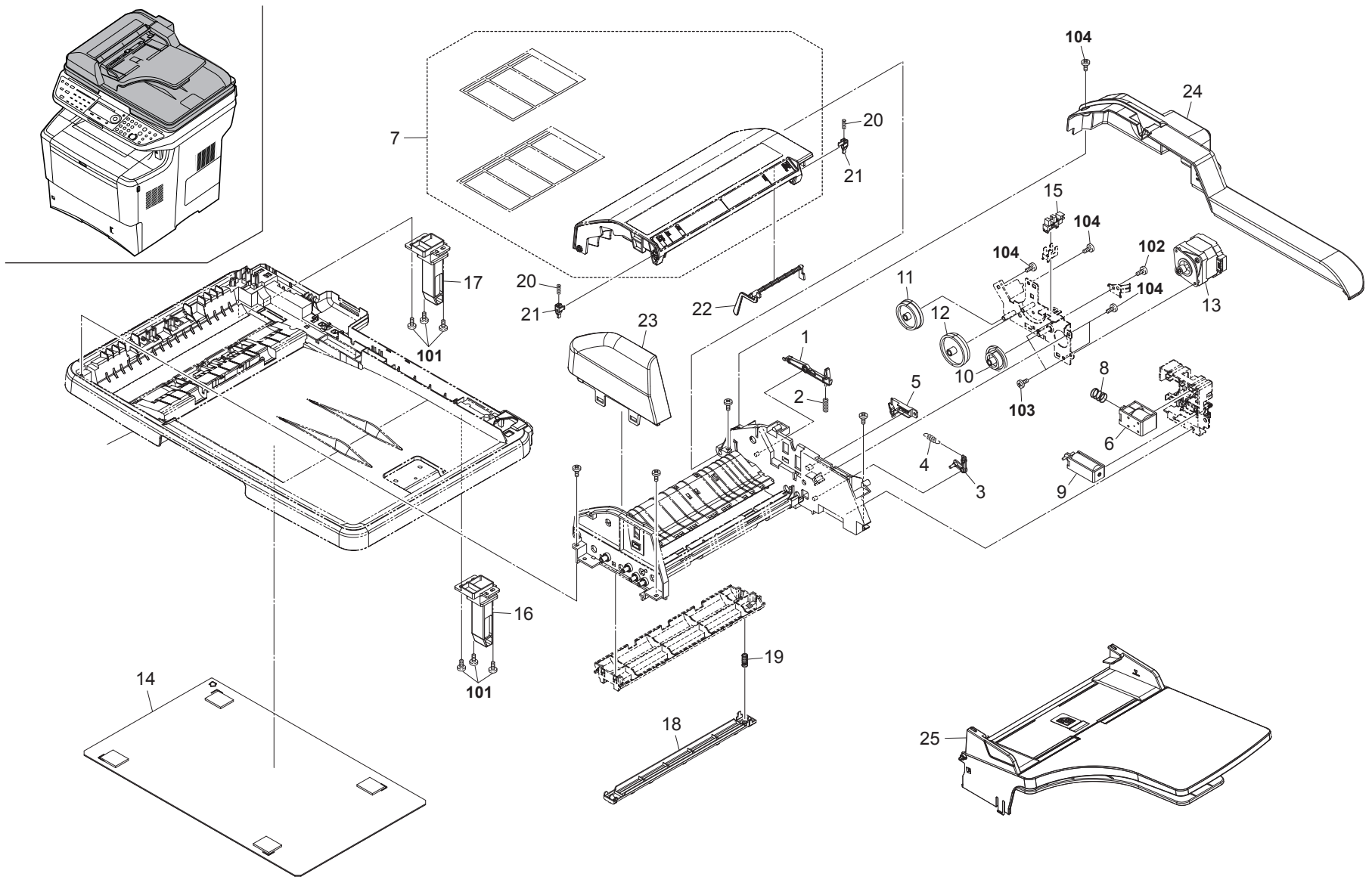


FIG. 19 Document Processor 2

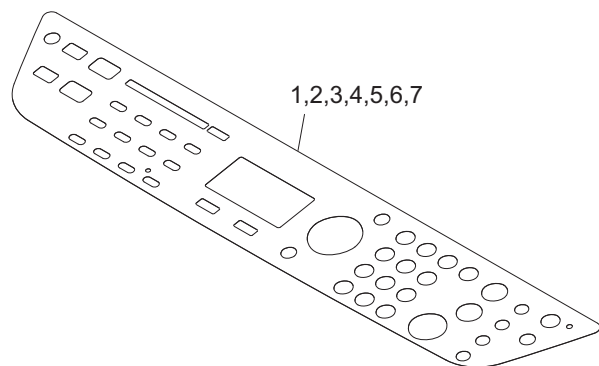
2LW/2LX

| Ref. No. | Part.No. | Alternative. | Description | Quantity | | |
|----------|-----------------|--------------|-----------------------------------|----------|-----|-----|
| | | | | 120 | 230 | 240 |
| 1 | 303LJ02080 | 3LJ02080 | ACTUATOR PUSH | 1 | 1 | 1 |
| 2 | 303LJ02060 | 3LJ02060 | SPRING RELEASE | 1 | 1 | 1 |
| 3 | 303LJ24041 | 3LJ24041 | LEVER SEPARATE | 1 | 1 | 1 |
| 4 | 3HL10090 | 3HL10090 | SPRING,LF SHIFT GUIDE | 1 | 1 | 1 |
| 5 | 303LJ24050 | 3LJ24050 | LEVER LOOP | 1 | 1 | 1 |
| 6 | 303LJ94140 | 3LJ94140 | PARTS SOLENOID PRESSURE PULLEY SP | 1 | 1 | 1 |
| 7 | 302LW94210 | 2LW94210 | PARTS COVER PF ASSY SP | 1 | 1 | 1 |
| 8 | 303HL10200 | 3HL10200 | SPRING LOOP | 1 | 1 | 1 |
| 9 | 303LJ94150 | 3LJ94150 | PARTS SOLENOID FEED SHIFT SP | 1 | 1 | 1 |
| 10 | 303LJ31040 | 3LJ31040 | GEAR Z66S Z70S | 1 | 1 | 1 |
| 11 | 303LJ31020 | 3LJ31020 | GEAR Z40S Z61S | 1 | 1 | 1 |
| 12 | 303LJ31030 | 3LJ31030 | GEAR Z46S Z79S | 1 | 1 | 1 |
| 13 | 303LJ94060 | 3LJ94060 | PARTS MOTOR DP SP | 1 | 1 | 1 |
| 14 | 303LJ94070 | 3LJ94070 | PARTS PLATE ORIGINAL SP | 1 | 1 | 1 |
| 15 | 7NXSG2481+++H01 | NX052600 | SENSOR OPT. | 1 | 1 | 1 |
| 16 | 303LJ02040 | 3LJ02040 | HINGE R | 1 | 1 | 1 |
| 17 | 303LJ02030 | 3LJ02030 | HINGE L | 1 | 1 | 1 |
| 18 | 303LJ02020 | 3LJ02020 | GUIDE READING | 1 | 1 | 1 |
| 19 | 303LJ02070 | 3LJ02070 | SPRING READING | 1 | 1 | 1 |
| 20 | 303LJ07070 | 3LJ07070 | SPRING PUSH DU | 2 | 2 | 2 |
| 21 | 303LJ07060 | 3LJ07060 | LEVER PUSH DU | 2 | 2 | 2 |
| 22 | 303LJ07050 | 3LJ07050 | ACTUATOR ORIGINAL | 1 | 1 | 1 |
| 23 | 303LJ04010 | 3LJ04010 | COVER FRONT | 1 | 1 | 1 |
| 24 | 303LJ04021 | 3LJ04021 | COVER REAR | 1 | 1 | 1 |
| 25 | 303LJ94120 | 3LJ94120 | PARTS TABLE ASSY SP | 1 | 1 | 1 |

| Ref. No. | Part.No. | Alternative. | Description | Quantity | | |
|----------|------------|--------------|--------------------------|----------|-----|-----|
| | | | | 120 | 230 | 240 |
| 101 | 7BB202308H | BB105690 | +TP-FLAT T.T P SCREW 3X8 | | | |
| 102 | 7BB700308H | BB105600 | +BIND T.T S SCREW 3X8 SR | | | |
| 103 | 7BB000306H | BB106880 | +BIND M SCREW 3X6 | | | |
| 104 | 7BB200308H | BB105660 | +BIND T.T P SCREW 3X8 | | | |

- Parts with "*" are component parts or sub-assemblies of the assembly appearing immediately above them.

3 in 1 model



4 in 1 model

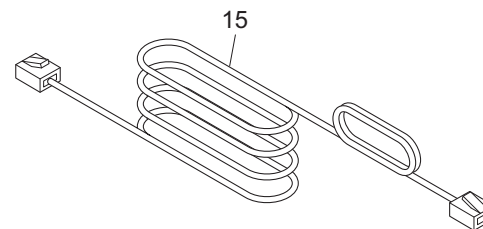
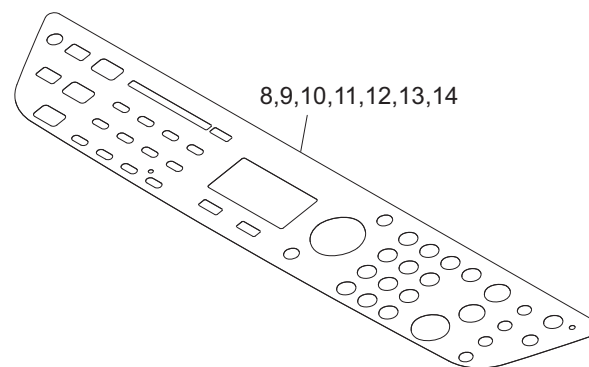


FIG. 20 Accessories

| Ref. No. | Part.No. | Alternative. | Description | Quantity | | |
|----------|------------|--------------|-------------------------------------|----------|-----|-----|
| | | | | 120 | 230 | 240 |
| 1 | 302LW05020 | 2LW05020 | LABEL OPE GER (3in1 model) | | 1 | |
| 2 | 302LW05030 | 2LW05030 | LABEL OPE FRA (3in1 model) | 1 | 1 | |
| 3 | 302LW05040 | 2LW05040 | LABEL OPE ITA (3in1 model) | | 1 | |
| 4 | 302LW05050 | 2LW05050 | LABEL OPE SPA (3in1 model) | 1 | 1 | |
| 5 | 302LW05060 | 2LW05060 | LABEL OPE POR (3in1 model) | 1 | 1 | |
| 6 | 302LW05070 | 2LW05070 | LABEL OPE DUT (3in1 model) | | 1 | |
| 7 | 302LW05080 | 2LW05080 | LABEL OPE RUS (3in1 model) | | 1 | |
| 8 | 302LX05030 | 2LX05030 | LABEL OPE GER (4in1 model) | | 1 | |
| 9 | 302LX05040 | 2LX05040 | LABEL OPE FRA (4in1 model) | 1 | 1 | |
| 10 | 302LX05050 | 2LX05050 | LABEL OPE ITA (4in1 model) | | 1 | |
| 11 | 302LX05060 | 2LX05060 | LABEL OPE SPA (4in1 model) | 1 | 1 | |
| 12 | 302LX05070 | 2LX05070 | LABEL OPE POR (4in1 model) | 1 | 1 | |
| 13 | 302LX05080 | 2LX05080 | LABEL OPE DUT (4in1 model) | | 1 | |
| 14 | 302LX05090 | 2LX05090 | LABEL OPE RUS (4in1 model) | | 1 | |
| 15 | 303HZ45010 | 3HZ45010 | MODULAR CORD (4in1 model) | 1 | | |
| 15 | 3063527482 | 63527482 | MODULAR CORD AUSTRALIA (4in1 model) | | | 1 |

- Parts with "*" are component parts or sub-assemblies of the assembly appearing immediately above them.

FIG. 21 Maintenance Kits

2LW/2LX

| Ref. No. | Part.No. | Alternative. | Description | Quantity | | |
|----------|------------|--------------|---------------------------------|----------|-----|-----|
| | | | | 120 | 230 | 240 |
| | 1702LX7US0 | 072LX7US | MK-350/MAINTENANCE KIT(OPTION) | 1 | | |
| | | | RETARD ROLLER ASSY | 1 | | |
| | | | FEED HOLDER ASSY | 1 | | |
| | | | DC BRUSH ASSY | 1 | | |
| | | | ROLLER TRANSFER ASSY | 1 | | |
| | | | FK-350(U) | 1 | | |
| | | | DV-352(U) | 1 | | |
| | | | DK-320 | 1 | | |
| | 1702LX8NL0 | 072LX8NL | MK-350/MAINTENANCE KIT (OPTION) | | 1 | |
| | | | RETARD ROLLER ASSY | | 1 | |
| | | | FEED HOLDER ASSY | | 1 | |
| | | | DC BRUSH ASSY | | 1 | |
| | | | ROLLER TRANSFER ASSY | | 1 | |
| | | | DV-350(E) | | 1 | |
| | | | FK-350(E) | | 1 | |
| | | | DK-320 | | 1 | |
| | 1702LX8AS0 | 072LX8AS | MK-350/MAINTENANCE KIT (OPTION) | | | 1 |
| | | | RETARD ROLLER ASSY | | | 1 |
| | | | FEED HOLDER ASSY | | | 1 |
| | | | DC BRUSH ASSY | | | 1 |
| | | | ROLLER TRANSFER ASSY | | | 1 |
| | | | FK-350(E) | | | 1 |
| | | | DV-354(AO) | | | 1 |
| | | | DK-320 | | | 1 |

- Parts with "*" are component parts or sub-assemblies of the assembly appearing immediately above them.

INDEX

2LW/2LX-2

| Part.No. | Alternative. | Description | Fig.No. |
|------------|--------------|-------------------------------|---------|
| 1702LX0UN0 | 072LX0UN | MK-370/MAINTENANCE KIT | 18 |
| 1702LX7US0 | 072LX7US | MK-350/MAINTENANCE KIT | 21 |
| 1702LX8AS0 | 072LX8AS | MK-350/MAINTENANCE KIT | 21 |
| 1702LX8NL0 | 072LX8NL | MK-350/MAINTENANCE KIT | 21 |
| 2BC06510 | 2BC06510 | BUSHING 8 | 6 |
| 2BC06910 | 2BC06910 | STOPPER 6 | 6 |
| 2BC06980 | 2BC06980 | STOPPER 5 | 6,14 |
| 2FM04150 | 5MVM163DN005 | CAP SPRING /B-11 ENCLOSURE A4 | 13,15 |
| 302F831060 | 2F831060 | BUSH DRUM | 14 |
| 302F902410 | 2F902410 | SPRING EARTH FAN | 3 |
| 302F906010 | 2F906010 | GUIDE FEED UP | 7 |
| 302F906110 | 2F906110 | PIN FEED ROLL | 7 |
| 302F906120 | 2F906120 | SPRING PICK UP | 7 |
| 302F906190 | 2F906190 | GUIDE FEED L | 7 |
| 302F906200 | 2F906200 | GUIDE FEED R | 7 |
| 302F906290 | 2F906290 | SHAFT FEED R | 7 |
| 302F908021 | 2F931381 | FRAME MPF | 5 |
| 302F908100 | 2F908100 | SPRING BOTTOM MPF R | 5 |
| 302F908120 | 2F908120 | ACTUATOR MPF A | 5 |
| 302F908130 | 2F908130 | GEAR MPF Z30 | 5 |
| 302F908150 | 2F908150 | SP PULLEY TURN | 5 |
| 302F908210 | 2F908210 | ACTUATOR MPF B | 5 |
| 302F908230 | 2F908230 | SPRING EARTH CONNECTOR | 5 |
| 302F908270 | 2F908270 | SP BOTTOM MPF L | 5 |
| 302F908280 | 2F908280 | SP ACTUATOR MPF | 5 |
| 302F908290 | 2F908290 | SP SEPARATOR MPF | 5 |
| 302F908300 | 2F908300 | SPRING LOCK MPF | 5 |
| 302F908330 | 2F908330 | SPRING LEVER LOCK R | 5 |
| 302F908380 | 2F908380 | SP PULLEY FEED | 5 |
| 302F909031 | 2F909031 | LEVER BASE CAS REAR | 4 |
| 302F909040 | 2F909040 | SPRING BASE CAS REAR | 4 |
| 302F909070 | 2F909070 | LEVER SIDE CURSOR | 4 |
| 302F909080 | 2F909080 | CURSOR END | 4 |
| 302F909090 | 2F909090 | LEVER END CURSOR | 4 |
| 302F909131 | 2F909131 | GEAR LIFT Z64 | 4 |
| 302F909140 | 2F909140 | GEAR JOINT Z16 | 4 |
| 302F909151 | 2F909151 | LEVER INDICATOR | 4 |
| 302F909160 | 2F909160 | BUSH LIFT 6 | 4 |
| 302F909171 | 2F909171 | RETARD ROLLER ASSY | 4 |
| 302F909180 | 2F909180 | HOLDER RETARD | 4 |
| 302F909191 | 2F909191 | GUIDE RETARD | 4 |
| 302F909200 | 2F909200 | SPRING RETARD | 4 |
| 302F909210 | 2F909210 | PAD BOTTOM | 4 |
| 302F909231 | 2F909231 | COVER LIFT GEAR | 4 |
| 302F909240 | 2F909240 | LID CASSETTE | 4 |
| 302F909250 | 2F909250 | SPRING SIZE FIX | 4 |
| 302F909510 | 2F909510 | GEAR Z40HZ18 | 2 |
| 302F909520 | 2F909520 | GEAR Z60Z16 | 2 |
| 302F909530 | 2F909530 | GEAR Z50Z16 | 2 |
| 302F909540 | 2F909540 | GEAR Z49 | 2 |

| Part.No. | Alternative. | Description | Fig.No. |
|------------|--------------|------------------------|---------|
| 302F909550 | 2F909550 | GEAR Z26Z15 | 2 |
| 302F912310 | 2F912310 | COVER DRUM SHUTTER | 2 |
| 302F912330 | 2F912330 | GEAR SHUTTER Z18S | 2 |
| 302F912340 | 2F912340 | GEAR SHUTTER Z16S | 2 |
| 302F912360 | 2F912360 | SPRING SHUTTER ARM | 2 |
| 302F912370 | 2F912370 | SPRING SHUTTER L | 2 |
| 302F924020 | 2F924020 | ROLLER REGIST UP | 6 |
| 302F924071 | 2F924071 | GUIDE PAPER CHUTE | 6 |
| 302F924090 | 2F924090 | LEVER EMPTY | 6 |
| 302F924120 | 2F924120 | SPRING TC CHARGE | 6 |
| 302F924140 | 2F924140 | SPRING EARTH | 6 |
| 302F924150 | 2F924150 | ACTUATOR REGIST | 6 |
| 302F924160 | 2F924160 | BUSH REGIST | 6 |
| 302F924190 | 2F924190 | BUSH TRANSFER R | 6 |
| 302F924220 | 2F924220 | ACTUATOR DU | 6 |
| 302F924240 | 2F924240 | LEVER RELEASE FUSER R | 6 |
| 302F924270 | 2F924270 | SPRING REGIST SENSOR | 6 |
| 302F924280 | 2F924280 | SPRING MAIN CHARGE | 6 |
| 302F924320 | 2F924320 | SPRING RELEASE DLP R | 6 |
| 302F924340 | 2F924340 | SPRING BIAS CHARGE | 6 |
| 302F924380 | 2F924380 | SPRING RELEASE FUSER R | 6 |
| 302F924390 | 2F924390 | SPRING TC L | 6 |
| 302F924400 | 2F924400 | SPRING TC R | 6 |
| 302F924430 | 2F924430 | GEAR REGIST Z23H | 6 |
| 302F924460 | 2F924460 | SPRING REGIST R | 6 |
| 302F924480 | 2F924480 | LEVER RELEASE DLP L | 6 |
| 302F924490 | 2F924490 | LEVER RELEASE DLP R | 6 |
| 302F924520 | 2F924520 | SP RELEASE TC L | 6 |
| 302F924700 | 2F924700 | GEAR REG Z26H-Z33H | 6 |
| 302F924760 | 2F924760 | PULLEY GUIDE | 6 |
| 302F924830 | 2F924830 | BUSH TRANSFER L | 6 |
| 302F925141 | 2F925141 | GEAR EXIT Z21 | 13 |
| 302F925160 | 2F925160 | PULLEY FACE UP | 13 |
| 302F925180 | 2F925180 | ACTUATOR DU | 13 |
| 302F925300 | 2F925300 | ROLLER FACE UP | 13 |
| 302F925350 | 2F925350 | SPRING FACE UP | 13 |
| 302F925371 | 2F925371 | SPRING ACTUATOR DU | 13 |
| 302F925440 | 2F925440 | INNER RAIL R | 13 |
| 302F925450 | 2F925450 | INNER RAIL L | 13 |
| 302F925480 | 2F925480 | PULLEY RAIL DOUBLE | 2,3 |
| 302F925550 | 2F925550 | LOCK FUSER | 13 |
| 302F925560 | 2F925560 | SPRING LOCK | 13 |
| 302F925750 | 2F925750 | SPRING FUSER RELEASE | 13 |
| 302F925780 | 2F925780 | SPRING DU | 13 |
| 302F925872 | 2F925872 | SPRING RAIL SW | 2 |
| 302F926060 | 2F926060 | PULLEY SWITCH BACK | 13 |
| 302F928100 | 2F928100 | ACTUATOR OVERFLOW | 15 |
| 302F928130 | 2F928130 | SPRING COVER FD L | 15 |
| 302F928140 | 2F928140 | SPRING COVER FD R | 15 |
| 302F928170 | 2F928170 | SPRING PULLEY | 15 |

| Part.No. | Alternative. | Description | Fig.No. |
|------------|--------------|----------------------|---------|
| 302F928231 | 2F928231 | SPRING DISCHARGER | 15 |
| 302F928310 | 2F928310 | SPRING PULLEY 35 | 15 |
| 302F929030 | 2F929030 | ROLLER DU | 8 |
| 302F929041 | 2F929041 | ACTUATOR PE | 8 |
| 302F929050 | 2F929050 | PULLEY FEED DU | 5,15 |
| 302F929060 | 2F929060 | SHAFT FEED DU | 5,13,15 |
| 302F929070 | 2F929070 | SPRING PULLEY FEED | 8 |
| 302F929080 | 2F929080 | SPRING PE RELEASE | 8 |
| 302F929140 | 2F929140 | BUSH DU | 8,13,15 |
| 302F929151 | 2F929151 | LEVER LIFT DU L | 8 |
| 302F929160 | 2F929160 | LEVER LIFT DU R | 8 |
| 302F929170 | 2F929170 | SPRING DU LIFT | 8 |
| 302F929191 | 2F929191 | BUSH PE | 8 |
| 302F929260 | 2F929260 | PULLEY DU LOW | 8 |
| 302F931020 | 2F931020 | GEAR Z77H | 14 |
| 302F931030 | 2F931030 | GEAR Z70H | 14 |
| 302F931040 | 2F931040 | GEAR Z90H Z30H | 14 |
| 302F931050 | 2F931050 | GEAR Z48H | 14 |
| 302F931060 | 2F931060 | GEAR Z46H | 14 |
| 302F931070 | 2F931070 | GEAR Z37S | 14 |
| 302F931080 | 2F931080 | GEAR Z45S | 14 |
| 302F931090 | 2F931090 | GEAR Z30S | 14 |
| 302F931100 | 2F931100 | GEAR Z34S | 14 |
| 302F931110 | 2F931110 | GEAR Z95H Z28H | 14 |
| 302F931190 | 2F931190 | GEAR DLP Z31H | 2 |
| 302F931200 | 2F931200 | GEAR DLP Z32H | 14 |
| 302F931270 | 2F931270 | SPRING FUSER | 14 |
| 302F931290 | 2F931290 | GEAR DLP Z24H | 14 |
| 302F931300 | 2F931300 | GEAR DLP JOINT Z25H | 14 |
| 302F931310 | 2F931310 | GEAR DLP Z25H | 14 |
| 302F931350 | 2F931350 | JOINT SHAFT CASSETTE | 14 |
| 302F931381 | 2F931381 | SPRING MPF CAM | 14 |
| 302F931430 | 2F931430 | GEAR FEED ROLL Z27H | 6 |
| 302F931450 | 2F931450 | SPRING FEED | 14 |
| 302F931490 | 2F931490 | BUSH FEED DRIVE | 6,14 |
| 302F931500 | 2F931500 | GEAR FEED Z34H | 14 |
| 302F931590 | 2F931590 | GEAR Z191H | 14 |
| 302F931600 | 2F931600 | CLUTCH DLP | 2 |
| 302F944040 | 2F944040 | CLUTCH DUPLEX | 14 |
| 302F944060 | 2F944060 | SOLENOID MPF | 14 |
| 302F944071 | 2F944071 | SOLENOID DLP | 2 |
| 302F944130 | 2F944130 | MOTOR EJECT | 15 |
| 302F944150 | 2F944150 | FAN L 80 | 3 |
| 302F944160 | 2F944160 | FAN POWER PWB 50 | 3 |
| 302F944200 | 2F944200 | CLUTCH MID FEED | 14 |
| 302F944210 | 2F944210 | CLUTCH CASSETTE | 14 |
| 302F944220 | 2F944220 | CLUTCH REGIST | 14 |
| 302F994031 | 2F994031 | FEED DRIVE ASSY SP | 14 |
| 302F994062 | 2F994062 | FEED HOLDER ASSY | 7 |
| 302F994070 | 2F994070 | SEPARATOR MP ASSY | 5 |

| Part.No. | Alternative. | Description | Fig.No. |
|------------|--------------|--------------------------|---------|
| 302F994091 | 2F994091 | WASTE BOTTLE ASSY | 10 |
| 302F994110 | 2F994110 | DC BRUSH ASSY | 6 |
| 302F994120 | 2F994120 | REGIST KIT | 6 |
| 302F994300 | 2F994300 | ROLLER TRNSFER ASSY SP | 6 |
| 302F994320 | 2F994320 | PARTS MOTOR LIFT ASSY SP | 2 |
| 302FV02470 | 2FV02470 | BUSH FD | 13,15 |
| 302FV45020 | 2FV45020 | AC CORD ASSY | 3 |
| 302FV45040 | 2FV45040 | AC CORD ASSY | 3 |
| 302GA24030 | 2GA24030 | ROLLER MIDDLE ASSY | 6 |
| 302H024370 | 2H024370 | BUSH 6 EW | 6 |
| 302H024830 | 2H024830 | BUSH 8 | 6 |
| 302H702590 | 2H702590 | BUSH SCREW | 6 |
| 302H904210 | 2H904210 | SPRING COVER HOOK | 1 |
| 302H905370 | 2H905370 | PANEL OPE | 17 |
| 302H917220 | 2H917220 | GEAR ISU 63/32 | 9 |
| 302H917230 | 2H917230 | BELT ISU | 9 |
| 302H917240 | 2H917240 | PULLEY TENSION | 9 |
| 302H917270 | 2H917270 | SPRING TENSION | 9 |
| 302H917330 | 2H917330 | STOPPER ISU | 9 |
| 302HS25220 | 2HS25220 | BUSH FUSER | 8 |
| 302J008050 | 2J008050 | SPRING LEVER LOCK L | 5 |
| 302J024020 | 2J024020 | SPRING SEP CHARGE | 6 |
| 302J025200 | 2J025200 | LEVER FUSER RELEASE | 13 |
| 302J028020 | 2J028020 | SPRING EARTH A | 15 |
| 302J029020 | 2J029020 | SPRING EARTH DU | 8 |
| 302J031020 | 2J031020 | MOTOR MAIN Z16 | 14 |
| 302J031030 | 2J031030 | MOTOR DRUM Z16 | 14 |
| 302J044030 | 2J044030 | FAN ENGINE PWB 35 | 6 |
| 302J044040 | 2J044040 | FAN R 80 | 2 |
| 302J044070 | 2J044070 | FAN MOTOR | 2 |
| 302J093092 | 2J093092 | MC-320 | 10 |
| 302J094010 | 2J094010 | DU ASSY SP | 8 |
| 302J094060 | 2J094060 | BASE MPF ASSY SP | 5 |
| 302J101050 | 2J101050 | P.W.BOARD ASSY CONNECT-R | 14 |
| 302J193040 | 2J193040 | LK-350 | 2 |
| 302J193050 | 2J193050 | FK-350(E) | 12 |
| 302J193060 | 2J193060 | FK-350(U) | 12 |
| 302J193070 | 2J193070 | CT-350 | 4 |
| 302J194080 | 2J194080 | COVER REAR ASSY | 13 |
| 302J393032 | 2J393032 | DK-320 | 10 |
| 302JD19140 | 2JD19140 | BUSHING FAN | 9 |
| 302JN02010 | 2JN02010 | MOUNT SPEAKER | 16 |
| 302JN05060 | 2JN05060 | PANEL OPE | 17 |
| 302LW02040 | 2LW02040 | RACK LID | 3 |
| 302LW02050 | 2LW02050 | RACK FRONT | 3 |
| 302LW02060 | 2LW02060 | GEAR RACK Z19-22 | 3 |
| 302LW04070 | 2LW04070 | COVER CONTROLLER | 1 |
| 302LW04120 | 2LW04120 | COVER REAR | 1 |
| 302LW04150 | 2LW04150 | LID TOP C | 1 |
| 302LW04170 | 2LW04170 | COVER SIDE | 1 |

| Part.No. | Alternative. | Description | Fig.No. |
|------------|--------------|----------------------------------|---------|
| 302LW04180 | 2LW04180 | COVER INNER R B | 1 |
| 302LW05010 | 2LW05010 | LABEL OPE E | 17 |
| 302LW05020 | 2LW05020 | LABEL OPE GER | 20 |
| 302LW05030 | 2LW05030 | LABEL OPE FRA | 20 |
| 302LW05040 | 2LW05040 | LABEL OPE ITA | 20 |
| 302LW05050 | 2LW05050 | LABEL OPE SPA | 20 |
| 302LW05060 | 2LW05060 | LABEL OPE POR | 20 |
| 302LW05070 | 2LW05070 | LABEL OPE DUT | 20 |
| 302LW05080 | 2LW05080 | LABEL OPE RUS | 20 |
| 302LW07060 | 2LW07060 | JOINT PF ROLLER | 18 |
| 302LW46010 | 2LW46010 | CONN.CORD ASSY S03613 | 9 |
| 302LW46040 | 2LW46040 | CONN.CORD ASSY S03616 | 18 |
| 302LW93010 | 2LW93010 | DV-350(E) | 11 |
| 302LW93020 | 2LW93020 | DV-352(U) | 11 |
| 302LW93030 | 2LW93030 | DV-354(AO) | 11 |
| 302LW93040 | 2LW93040 | PARTS ISU ASSY | 9 |
| 302LW94011 | 2LW94011 | PARTS MAIN PWB ASSY SP | 16 |
| 302LW94021 | 2LW94021 | PARTS MAIN PWB ASSY E SP | 16 |
| 302LW94030 | 2LW94030 | PARTS ENGINE PWB ASSY SP | 6 |
| 302LW94040 | 2LW94040 | PARTS SWITCHING REGULATOR (U) SP | 3 |
| 302LW94050 | 2LW94050 | PARTS SWITCHING REGULATOR (E) SP | 3 |
| 302LW94060 | 2LW94060 | PARTS MOTOR ISU SP | 9 |
| 302LW94080 | 2LW94080 | PARTS OPERATION UNIT SP | 17 |
| 302LW94090 | 2LW94090 | PARTS COVER MPF ASSY SP | 5 |
| 302LW94100 | 2LW94100 | PARTS FRAME ISU TOP ASSY SP | 9 |
| 302LW94110 | 2LW94110 | PARTS LID TOP A ASSY SP | 1 |
| 302LW94130 | 2LW94130 | PARTS COVER LEFT ASSY SP | 1 |
| 302LW94140 | 2LW94140 | PARTS COVER FRONT B ASSY SP | 1 |
| 302LW94150 | 2LW94150 | PARTS COVER FRONT ASSY SP | 1 |
| 302LW94160 | 2LW94160 | PARTS COVER RIGHT ASSY | 1 |
| 302LW94170 | 2LW94170 | PARTS COVER TOP ASSY | 1 |
| 302LW94180 | 2LW94180 | PARTS FD UNIT SP | 15 |
| 302LW94190 | 2LW94190 | PARTS PWB ASSY CONNECT-L SP | 3 |
| 302LW94200 | 2LW94200 | PARTS PWB ASSY RELAY SP | 3 |
| 302LW94210 | 2LW94210 | PARTS COVER PF ASSY SP | 19 |
| 302LX05010 | 2LX05010 | LABEL OPE E | 17 |
| 302LX05030 | 2LX05030 | LABEL OPE GER | 20 |
| 302LX05040 | 2LX05040 | LABEL OPE FRA | 20 |
| 302LX05050 | 2LX05050 | LABEL OPE ITA | 20 |
| 302LX05060 | 2LX05060 | LABEL OPE SPA | 20 |
| 302LX05070 | 2LX05070 | LABEL OPE POR | 20 |
| 302LX05080 | 2LX05080 | LABEL OPE DUT | 20 |
| 302LX05090 | 2LX05090 | LABEL OPE RUS | 20 |
| 302LX94011 | 2LX94011 | PARTS MAIN PWB ASSY SP | 16 |
| 302LX94021 | 2LX94021 | PARTS MAIN PWB ASSY E SP | 16 |
| 302LX94040 | 2LX94040 | PARTS OPERATION UNIT SP | 17 |
| 302LX94070 | 2LX94070 | PARTS FAX UNIT(E) SP | 16 |
| 302LX94080 | 2LX94080 | PARTS FAX UNIT(U) SP | 16 |
| 302LX94100 | 2LX94100 | PARTS FAX UNIT(AS) SP | 16 |
| 303HL10200 | 3HL10200 | SPRING LOOP | 19 |

| Part.No. | Alternative. | Description | Fig.No. |
|------------|--------------|-----------------------------------|---------|
| 303HL22200 | 3HL22200 | PLATE GND | 18 |
| 303HZ45010 | 3HZ45010 | MODULAR CORD | 20 |
| 303JX29160 | 3JX29160 | PULLEY CONVEYING | 18 |
| 303K502200 | 3K502200 | ACTUATOR BASE | 18 |
| 303LJ02020 | 3LJ02020 | GUIDE READING | 19 |
| 303LJ02030 | 3LJ02030 | HINGE L | 19 |
| 303LJ02040 | 3LJ02040 | HINGE R | 19 |
| 303LJ02060 | 3LJ02060 | SPRING RELEASE | 19 |
| 303LJ02070 | 3LJ02070 | SPRING READING | 19 |
| 303LJ02080 | 3LJ02080 | ACTUATOR PUSH | 19 |
| 303LJ02120 | 3LJ02120 | STOPPER ORIGINAL | 18 |
| 303LJ02150 | 3LJ02150 | LEVER RELEASE | 18 |
| 303LJ02240 | 3LJ02240 | SPRING GND A | 18 |
| 303LJ02250 | 3LJ02250 | SPRING GND B | 18 |
| 303LJ04010 | 3LJ04010 | COVER FRONT | 19 |
| 303LJ04021 | 3LJ04021 | COVER REAR | 19 |
| 303LJ07050 | 3LJ07050 | ACTUATOR ORIGINAL | 19 |
| 303LJ07060 | 3LJ07060 | LEVER PUSH DU | 19 |
| 303LJ07070 | 3LJ07070 | SPRING PUSH DU | 19 |
| 303LJ24041 | 3LJ24041 | LEVER SEPARATE | 19 |
| 303LJ24050 | 3LJ24050 | LEVER LOOP | 19 |
| 303LJ24080 | 3LJ24080 | ACTUATOR TIMING | 18 |
| 303LJ24090 | 3LJ24090 | SPRING TIMING | 18 |
| 303LJ24101 | 3LJ24101 | GUIDE SEPARATION | 18 |
| 303LJ24121 | 3LJ24121 | SPRING CONVEYING | 18 |
| 303LJ24150 | 3LJ24150 | SPRING EXIT | 18 |
| 303LJ24190 | 3LJ24190 | HOOK PF COVER | 18 |
| 303LJ24230 | 3LJ24230 | SPRING REGIST | 18 |
| 303LJ29040 | 3LJ29040 | SPRING LOOP PRESSURE | 18 |
| 303LJ29060 | 3LJ29060 | LEVER PRESSURE | 18 |
| 303LJ31020 | 3LJ31020 | GEAR Z40S Z61S | 19 |
| 303LJ31030 | 3LJ31030 | GEAR Z46S Z79S | 19 |
| 303LJ31040 | 3LJ31040 | GEAR Z66S Z70S | 19 |
| 303LJ31050 | 3LJ31050 | GEAR Z28S | 18 |
| 303LJ31060 | 3LJ31060 | GEAR Z32S | 18 |
| 303LJ31080 | 3LJ31080 | GEAR Z35S | 18 |
| 303LJ31090 | 3LJ31090 | GEAR Z56S | 18 |
| 303LJ31100 | 3LJ31100 | GEAR T Z28S | 18 |
| 303LJ44040 | 3LJ44040 | CLUTCH PAPER FEED | 18 |
| 303LJ94010 | 3LJ94010 | PARTS DRIVER PWB ASSY SP | 18 |
| 303LJ94020 | 3LJ94020 | PARTS ROLLER A CONVEYING SP | 18 |
| 303LJ94030 | 3LJ94030 | PARTS ROLLER B CONVEYING SP | 18 |
| 303LJ94040 | 3LJ94040 | PARTS ROLLER EXIT SP | 18 |
| 303LJ94050 | 3LJ94050 | PARTS GEAR Z46S ONEWAY SP | 18 |
| 303LJ94060 | 3LJ94060 | PARTS MOTOR DP SP | 19 |
| 303LJ94070 | 3LJ94070 | PARTS PLATE ORIGINAL SP | 19 |
| 303LJ94120 | 3LJ94120 | PARTS TABLE ASSY SP | 19 |
| 303LJ94140 | 3LJ94140 | PARTS SOLENOID PRESSURE PULLEY SP | 19 |
| 303LJ94150 | 3LJ94150 | PARTS SOLENOID FEED SHIFT SP | 19 |
| 3063527482 | 63527482 | MODULAR CORD AUSTRALIA | 20 |

KYOCERA Document Solutions America, Inc.**Headquarters**

225 Sand Road,
Fairfield, New Jersey 07004-0008, USA
Phone: +1-973-808-8444
Fax: +1-973-882-6000

Latin America

8240 NW 52nd Terrace Dawson Building, Suite 100
Miami, Florida 33166, USA
Phone: +1-305-421-6640
Fax: +1-305-421-6666

KYOCERA Document Solutions Canada, Ltd.

6120 Kestrel Rd., Mississauga, ON L5T 1S8,
Canada
Phone: +1-905-670-4425
Fax: +1-905-670-8116

**KYOCERA Document Solutions
Mexico, S.A. de C.V.**

Calle Arquimedes No. 130, 4 Piso, Colonia Polanco
Chapultepec, Delegacion Miguel Hidalgo,
Distrito Federal, C.P. 11560, México
Phone: +52-555-383-2741
Fax: +52-555-383-7804

KYOCERA Document Solutions Brazil, Ltda.

Alameda África, 545, Pólo Empresarial Consbrás,
Tamboré, Santana de Parnaíba-SP, CEP 06543-306,
Brazil
Phone: +55-11-4195-8496
Fax: +55-11-4195-6167

**KYOCERA Document Solutions
Australia Pty. Ltd.**

Level 3, 6-10 Talavera Road North Ryde N.S.W, 2113,
Australia
Phone: +61-2-9888-9999
Fax: +61-2-9888-9588

**KYOCERA Document Solutions
New Zealand Ltd.**

Ground Floor, 19 Byron Avenue, Takapuna, Auckland,
New Zealand
Phone: +64-9-415-4517
Fax: +64-9-415-4597

KYOCERA Document Solutions Asia Limited

16/F., Mita Centre, 552-566, Castle Peak Road
Tsuenwan, NT, Hong Kong
Phone: +852-2610-2181
Fax: +852-2610-2063

**KYOCERA Document Solutions
(China) Corporation**

8F, No. 288 Nanjing Road West, Huangpu District,
Shanghai, 200003, China
Phone: +86-21-5301-1777
Fax: +86-21-5302-8300

**KYOCERA Document Solutions
(Thailand) Corp., Ltd.**

335 Ratchadapisek Road, Bangsue, Bangkok 10800,
Thailand
Phone: +66-2-586-0333
Fax: +66-2-586-0278

**KYOCERA Document Solutions
Singapore Pte. Ltd.**

12 Tai Seng Street #04-01A,
Luxasia Building, Singapore 534118
Phone: +65-6741-8733
Fax: +65-6748-3788

**KYOCERA Document Solutions
Hong Kong Limited**

16/F., Mita Centre, 552-566, Castle Peak Road
Tsuenwan, NT, Hong Kong
Phone: +852-3582-4000
Fax: +852-3185-1399

**KYOCERA Document Solutions
Taiwan Corporation**

6F., No.37, Sec. 3, Minquan E. Rd.,
Zhongshan Dist., Taipei 104, Taiwan R.O.C.
Phone: +886-2-2507-6709
Fax: +886-2-2507-8432

KYOCERA Document Solutions Korea Co., Ltd.

18F, Kangnam bldg, 1321-1,
Seocho-Dong, Seocho-Gu, Seoul, Korea
Phone: +822-6933-4050
Fax: +822-747-0084

**KYOCERA Document Solutions
India Private Limited**

Second floor, Centrum Plaza, Golf Course Road,
Sector-53, Gurgaon, Haryana 122002, India
Phone: +91-0124-4671000
Fax: +91-0124-4671001

KYOCERA Document Solutions Europe B.V.

Bloemlaan 4, 2132 NP Hoofddorp,
The Netherlands
Phone: +31-20-654-0000
Fax: +31-20-653-1256

KYOCERA Document Solutions Nederland B.V.

Beechavenue 25, 1119 RA Schiphol-Rijk,
The Netherlands
Phone: +31-20-5877200
Fax: +31-20-5877260

KYOCERA Document Solutions (U.K.) Limited

Eldon Court, 75-77 London Road,
Reading, Berkshire RG1 5BS,
United Kingdom
Phone: +44-118-931-1500
Fax: +44-118-931-1108

KYOCERA Document Solutions Italia S.p.A.

Via Verdi, 89/91 20063 Cernusco s/N.(MI),
Italy
Phone: +39-02-921791
Fax: +39-02-92179-600

KYOCERA Document Solutions Belgium N.V.

Sint-Martinusweg 199-201 1930 Zaventem,
Belgium
Phone: +32-2-7209270
Fax: +32-2-7208748

KYOCERA Document Solutions France S.A.S.

Espace Technologique de St Aubin
Route de l'Orme 91195 Gif-sur-Yvette CEDEX,
France
Phone: +33-1-69852600
Fax: +33-1-69853409

KYOCERA Document Solutions Espana, S.A.

Edificio Kyocera, Avda. de Manacor No.2,
28290 Las Matas (Madrid), Spain
Phone: +34-91-6318392
Fax: +34-91-6318219

KYOCERA Document Solutions Finland Oy

Atomitie 5C, 00370 Helsinki,
Finland
Phone: +358-9-47805200
Fax: +358-9-47805390

**KYOCERA Document Solutions
Europe B.V., Amsterdam (NL) Zürich Branch**

Hohlstrasse 614, 8048 Zürich,
Switzerland
Phone: +41-44-9084949
Fax: +41-44-9084950

**KYOCERA Document Solutions
Deutschland GmbH**

Otto-Hahn-Strasse 12, 40670 Meerbusch,
Germany
Phone: +49-2159-9180
Fax: +49-2159-918100

KYOCERA Document Solutions Austria GmbH

Eduard-Kittenberger-Gasse 95, 1230 Vienna,
Austria
Phone: +43-1-863380
Fax: +43-1-86338-400

KYOCERA Document Solutions Nordic AB

Esbogatan 16B 164 75 Kista, Sweden
Phone: +46-8-546-550-00
Fax: +46-8-546-550-10

KYOCERA Document Solutions Norge Nuf

Postboks 150 Oppsal, 0619 Oslo,
Norway
Phone: +47-22-62-73-00
Fax: +47-22-62-72-00

KYOCERA Document Solutions Danmark A/S

Ejby Industrivej 60, DK-2600 Glostrup,
Denmark
Phone: +45-70223880
Fax: +45-45765850

KYOCERA Document Solutions Portugal Lda.

Rua do Centro Cultural, 41 (Alvalade) 1700-106 Lisboa,
Portugal
Phone: +351-21-843-6780
Fax: +351-21-849-3312

**KYOCERA Document Solutions
South Africa (Pty) Ltd.**

KYOCERA House, Hertford Office Park,
90 Bekker Road (Cnr. Allandale), Midrand, South Africa.
Phone: +27-11-540-2600
Fax: +27-11-466-3050

KYOCERA Document Solutions Russia LLC

Botanichesky pereulok 5, Moscow, 129090,
Russia
Phone: +7(495)741-0004
Fax: +7(495)741-0018

KYOCERA Document Solutions Middle East

Dubai Internet City, Bldg. 17,
Office 157 P.O. Box 500817, Dubai,
United Arab Emirates
Phone: +971-04-433-0412

KYOCERA Document Solutions Inc.

2-28, 1-chome, Tamatsukuri, Chuo-ku
Osaka 540-8585, Japan
Phone: +81-6-6764-3555
<http://www.kyoceradocumentsolutions.com>

© 2014 KYOCERA Document Solutions Inc.

 is a trademark of KYOCERA Corporation