



---

**ECOSYS FS-2100D**  
**ECOSYS FS-2100DN**  
**ECOSYS FS-4100DN**  
**ECOSYS FS-4200DN**  
**ECOSYS FS-4300DN**

## **PARTS LIST**

Published in December 2013  
2LVPL073  
Rev.3

## — CONTENTS —

FIG. 1	Covers .....	2
FIG. 2	Frames .....	4
FIG. 3	Paper Cassette .....	6
FIG. 4	Paper Feed Section .....	8
FIG. 5	Image Formation Section .....	10
FIG. 6	Developer Section .....	12
FIG. 7	Fuser Section .....	14
FIG. 8	Exit Section .....	16
FIG. 9	Drive Section .....	18
FIG. 10	PT-320 .....	20
FIG. 11	Maintenance Kits .....	22
	• INDEX .....	23

### <Notation of products>

For the purpose of this parts list, products are identified as following.

FS-2100D : 40ppm(B)

FS-2100DN : 40ppm(A)

FS-4100DN : 45ppm

FS-4200DN : 50ppm

FS-4300DN : 60ppm

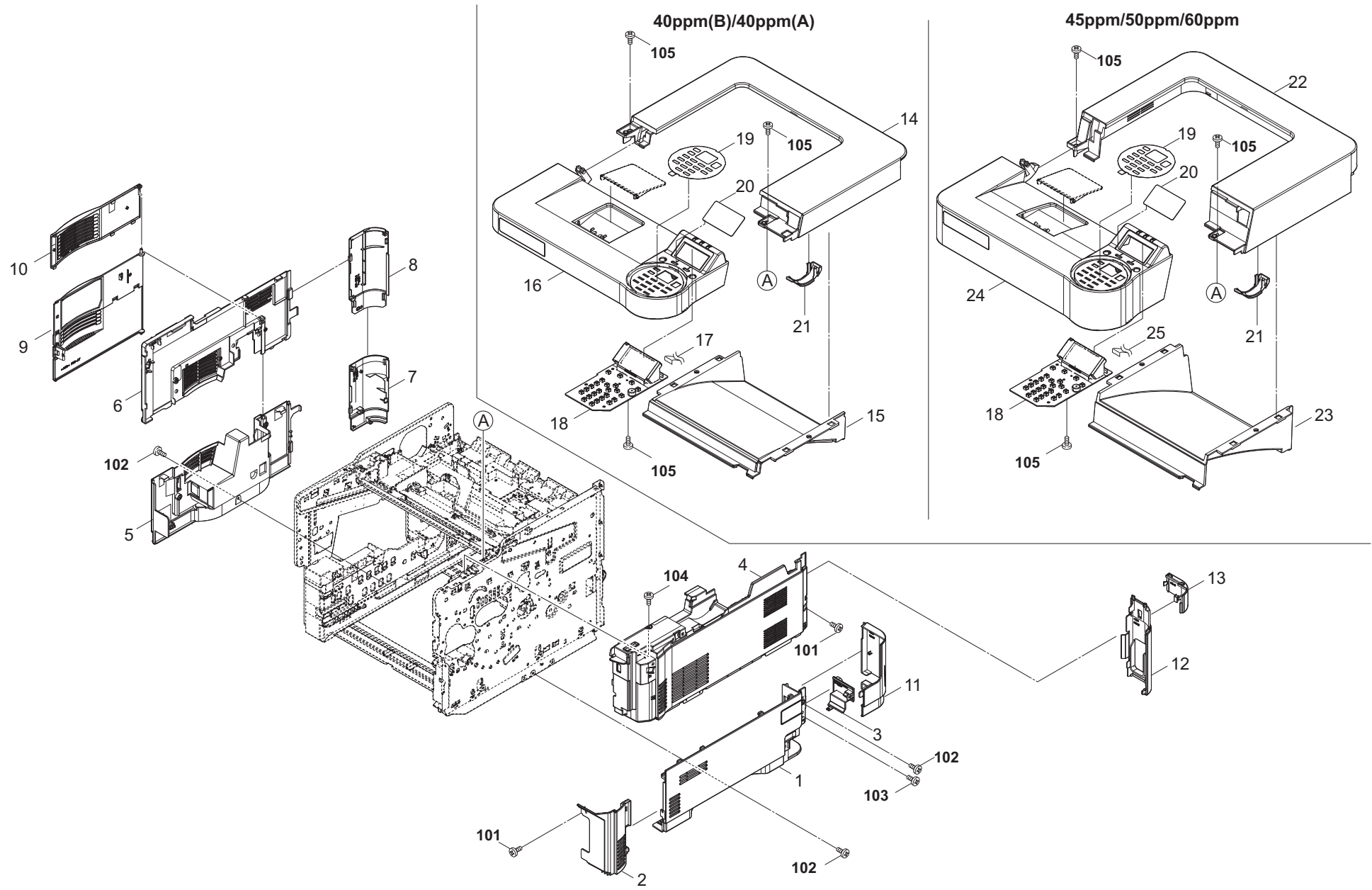


FIG. 1 Covers

2L1/2L2/2LV/2MS/2MT-2

Ref. No.	Part.No.	Alternative.	Description	Notes	Quantity		
					120	230	240
1	302LV04070	2LV04070	COVER RIGHT LOW		1	1	1
2	302LV04080	2LV04080	COVER RIGHT FRONT		1	1	1
3	302LV04270	2LV04270	COVER RIGHT REAR		1	1	1
4	302LV94290	2LV94290	PARTS COVER RIGHT UP ASSY SP		1	1	1
5	302LV04050	2LV04050	COVER LEFT LOW		1	1	1
6	302LV04040	2LV04040	COVER LEFT UP		1	1	1
7	302LV04260	2LV04260	COVER LEFT LOW REAR		1	1	1
8	302LV04250	2LV04250	COVER LEFT UP REAR		1	1	1
9	302LV04190	2LV04190	COVER SIDE LOW		1	1	1
10	302LV04170	2LV04170	COVER SIDE UP		1	1	1
11	302LV04150	2LV04150	COVER CONT LOW		1	1	1
12	302LV04140	2LV04140	COVER CONT MIDDLE		1	1	1
13	302LV04130	2LV04130	COVER CONT UP		1	1	1
14	302L294010	2L294010	PARTS COVER TOP ASSY	40ppm(B)/40ppm(A)	1	1	1
15	302L294110	2L294110	PARTS TRAY TOP ASSY SP	40ppm(B)/40ppm(A)	1	1	1
16	302L294020	2L294020	PARTS LID TOP ASSY SP	40ppm(B)	1	1	1
16	302MS94010	2MS94010	PARTS LID TOP ASSY SP	40ppm(A)	1	1	1
17	302L246080	2L246080	CONN.CORD ASSY S03781	40ppm(B)/40ppm(A)	1	1	1
18	302LV94050	2LV94050	PARTS PWB ASSY PANEL SP		1	1	1
19	302LV05140	2LV05140	SHEET OPE E		1	1	1
19	302LV05150	2LV05150	SHEET OPE GER			1	
19	302LV05160	2LV05160	SHEET OPE FRA		1	1	
19	302LV05170	2LV05170	SHEET OPE ITA			1	
19	302LV05180	2LV05180	SHEET OPE SPA		1	1	
19	302LV05190	2LV05190	SHEET OPE POR		1	1	
19	302LV05200	2LV05200	SHEET OPE DUT			1	
19	302LV05210	2LV05210	SHEET OPE RUS			1	
20	302LV04290	2LV04290	PANEL LCD		1	1	1
21	302LV04280	2LV04280	COVER CABLE		1	1	1
22	302LV94010	2LV94010	PARTS COVER TOP ASSY SP	45ppm/50ppm/60ppm	1	1	1
23	302LV94280	2LV94280	PARTS TRAY TOP ASSY SP	45ppm/50ppm/60ppm	1	1	1
24	302LV94020	2LV94020	PARTS LID TOP ASSY SP	60ppm	1	1	1
24	302L194010	2L194010	PARTS LID TOP ASSY SP	50ppm	1	1	1
24	302MT94010	2MT94010	PARTS LID TOP ASSY SP	45ppm	1	1	1
25	302LV46300	2LV46300	CONN.CORD ASSY S03682	45ppm/50ppm/60ppm	1	1	1
101	7BB700308H	BB105600	+BIND T.T S SCREW 3X8 SR				
102	7BB780308H	BB111200	+BIND T.T S SCREW 3X8 SR(BLACK)				
103	7BB282308H	BB111240	+TP-FLAT T.T P SCREW 3X8(BLACK)				
104	7BB700312H	BB106820	+BIND T.T S SCREW 3X12 SR				
105	7BB200308H	BB105660	+BIND T.T P SCREW 3X8				

•Parts with Ref.No. indicate maintenance parts and the ones without it indicate out of the above.

•Parts with "-" are component parts or sub-assemblies of the assembly appearing immediately above them.

•Parts with "•" are component parts or sub-assembly with "•" appearing immediately above them.

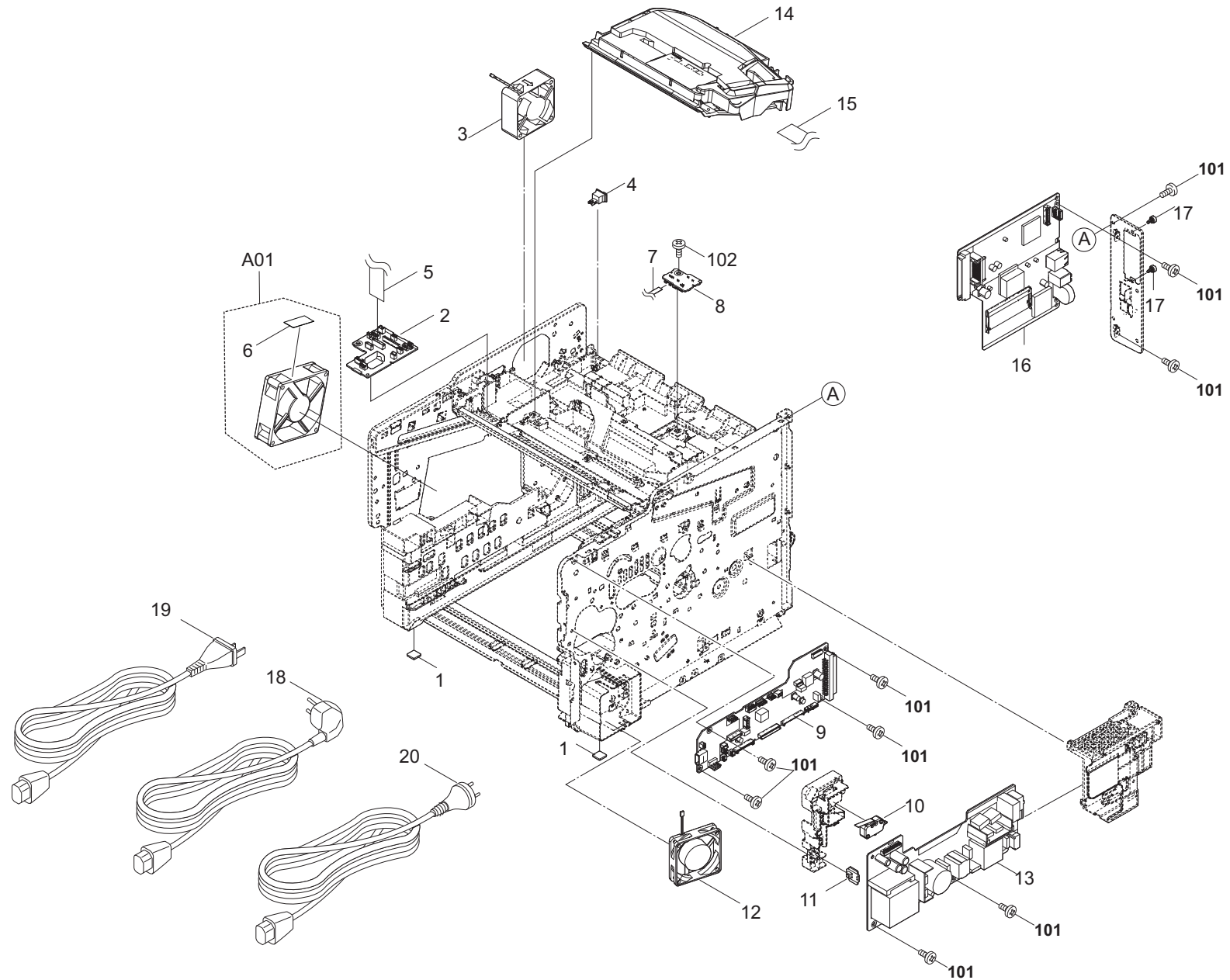


FIG. 2 Frames

2L1/2L2/2LV/2MS/2MT-3

Ref. No.	Part.No.	Alternative.	Description	Notes	Quantity		
					120	230	240
1	302HN02611	2HN02611	FOOT		2	2	2
2	302LV94191	2LV94191	PARTS PWB ASSY CONNECT-L SP	45ppm/50ppm/60ppm	1	1	1
2	302L294091	2L294091	PARTS PWB ASSY CONNECT-L SP	40ppm(B)/40ppm(A)	1	1	1
3	302GR44080	2GR44080	FAN LSU 60-25		1	1	1
4	7SP01000006+H01	SP121020	SW.PUSH	45ppm/50ppm/60ppm	1	1	1
5	302LV46140	2LV46140	CONN.CORD ASSY S03666	45ppm/50ppm/60ppm	1	1	1
5	302L246060	2L246060	CONN.CORD ASSY S03720	40ppm(B)/40ppm(A)	1	1	1
A01	302LV94430	2LV94430	PARTS FAN MOTOR ASSY SP		1	1	1
6	+302LV02610	2LV02610	SHEET FAN L		1	1	1
7	302LV46420	2LV46420	CONN.CORD ASSY S03737		1	1	1
8	302LV94220	2LV94220	PARTS PWB ASSY TH CONNECT SP		1	1	1
9	302LV94111	2LV94111	PARTS PWB ASSY ENGINE SP	60ppm	1	1	1
9	302L194031	2L194031	PARTS PWB ASSY ENGINE SP	50ppm	1	1	1
9	302MT94021	2MT94021	PARTS PWB ASSY ENGINE SP	45ppm	1	1	1
9	302L294081	2L294081	PARTS PWB ASSY ENGINE SP	40ppm(B)	1	1	1
9	302MS94031	2MS94031	PARTS PWB ASSY ENGINE SP	40ppm(A)	1	1	1
10	2FB27160	2FB27160	INTER LOCK SWITCH		1	1	1
11	302LV94210	2LV94210	PARTS PWB ASSY SWITCH SP		1	1	1
12	302FZ94420	2FZ94420	PARTS,FAN COOLING CONVEYING SP	45ppm/50ppm/60ppm	1	1	1
12	302FZ94420	2FZ94420	PARTS,FAN COOLING CONVEYING SP	40ppm(B)/40ppm(A)	1	1	1
13	302LV94070	2LV94070	PARTS SWITCHING REGULATOR 230V SP	45ppm/50ppm/60ppm		1	1
13	302LV94080	2LV94080	PARTS SWITCHING REGULATOR 120V SP	45ppm/50ppm/60ppm	1		
13	302L294040	2L294040	PARTS SWITCHING REGULATOR 230V SP	40ppm(B)/40ppm(A)		1	1
13	302L294050	2L294050	PARTS SWITCHING REGULATOR 120V SP	40ppm(B)/40ppm(A)	1		
14	302LV93090	2LV93090	LK-3130	60ppm	1	1	1
14	302MS93060	2MS93060	LK-3100	40ppm(B)/40ppm(A)/45ppm/50ppm	1	1	1
15	302LV46290	2LV46290	CONN.CORD ASSY S03681		1	1	1
16	302LV94101	2LV94101	PARTS PWB ASSY MAIN SP EU	40ppm(A)/45ppm/50ppm/60ppm		1	
16	302LV94092	2LV94092	PARTS PWB ASSY MAIN SP	40ppm(A)/45ppm/50ppm/60ppm	1		1
16	302L294071	2L294071	PARTS PWB ASSY MAIN SP EU	40ppm(B)		1	
16	302L294062	2L294062	PARTS PWB ASSY MAIN SP	40ppm(B)	1		1
17	302F939082	2F939082	SCREW BOX		2	2	2
18	302FV94010	2FV94010	PARTS AC CORD EU SP			1	
19	3019527401	19527401	POWER CORD(120)		1		
20	302FV45040	2FV45040	AC CORD ASSY				1
101	7BB700308H	BB105600	+BIND T.T S SCREW 3X8 SR				
102	7BB200410H	BB105700	+BIND T.T P SCREW 4X10				

•Parts with Ref.No. indicate maintenance parts and the ones without it indicate out of the above.

•Parts with "-" are component parts or sub-assemblies of the assembly appearing immediately above them.

•Parts with "•" are component parts or sub-assembly with "•" appearing immediately above them.

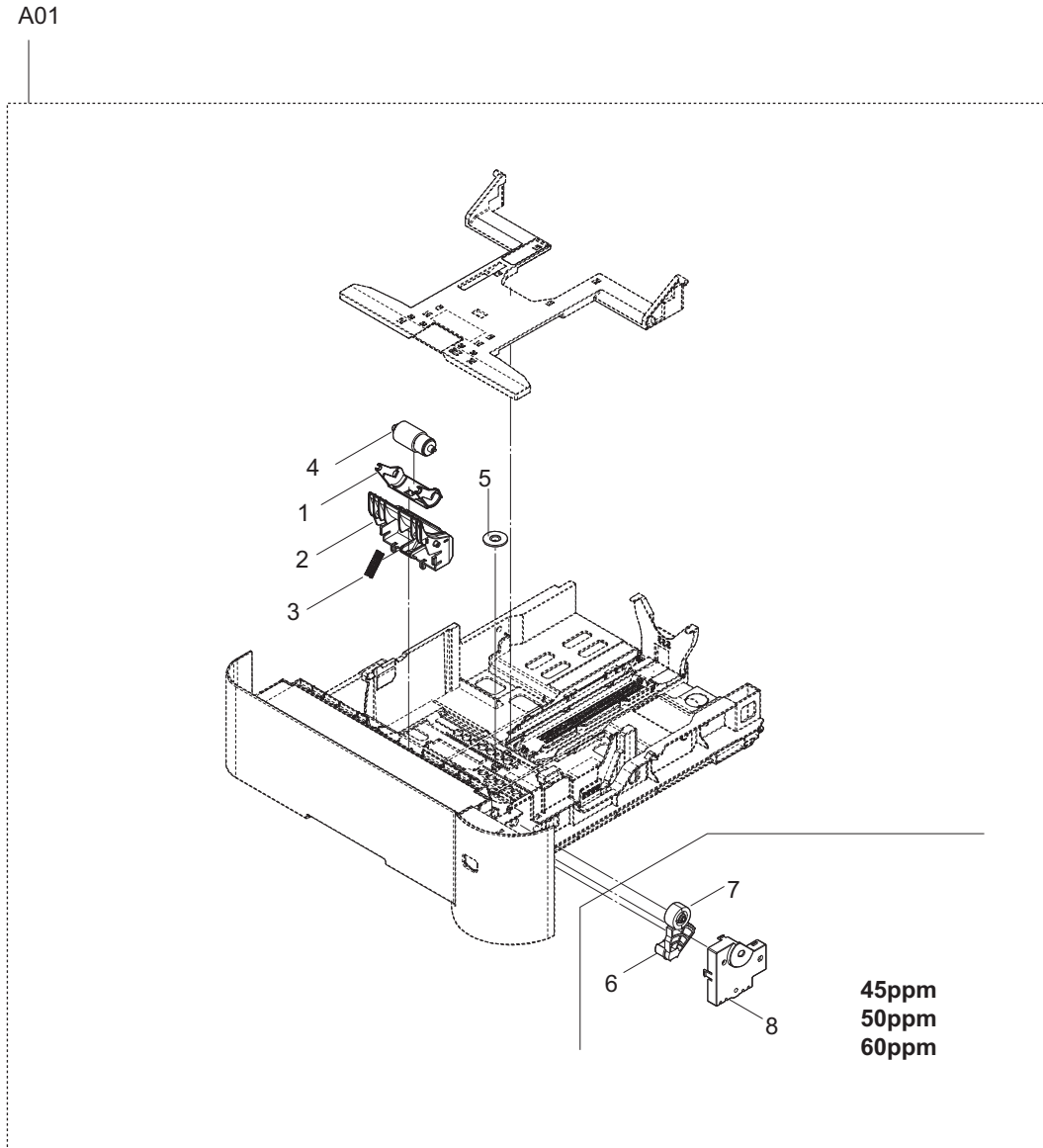


FIG. 3 Paper Cassette

2L1/2L2/2LV/2MS/2MT-2

Ref. No.	Part.No.	Alternative.	Description	Notes	Quantity		
					120	230	240
A01	302LV93030	2LV93030	CT-3130	45ppm/50ppm/60ppm	1	1	1
A01	302MS93010	2MS93010	CT-3100	40ppm(B)/40ppm(A)	1	1	1
1	*302LV09110	2LV09110	HOLDER RETARD		1	1	1
2	*302LV09120	2LV09120	GUIDE RETARD		1	1	1
3	*302LV09130	2LV09130	SPRING RETARD		1	1	1
4	*302F909171	2F909171	RETARD ROLLER ASSY		1	1	1
5	*5MVG127DN071	2A807050	GEAR CASSETTE /A-49 CASSETTE A4		1	1	1
6	*302LV09240	2LV09240	GEAR Z48S LIFT	45ppm/50ppm/60ppm	1	1	1
7	*302LV09220	2LV09220	GEAR Z15S JOINT	45ppm/50ppm/60ppm	1	1	1
8	*302LV09200	2LV09200	COVER LIFT GEAR	45ppm/50ppm/60ppm	1	1	1

•Parts with Ref.No. indicate maintenance parts and the ones without it indicate out of the above.

•Parts with "-" are component parts or sub-assemblies of the assembly appearing immediately above them.  
 •Parts with "•" are component parts or sub-assembly with "•" appearing immediately above them.



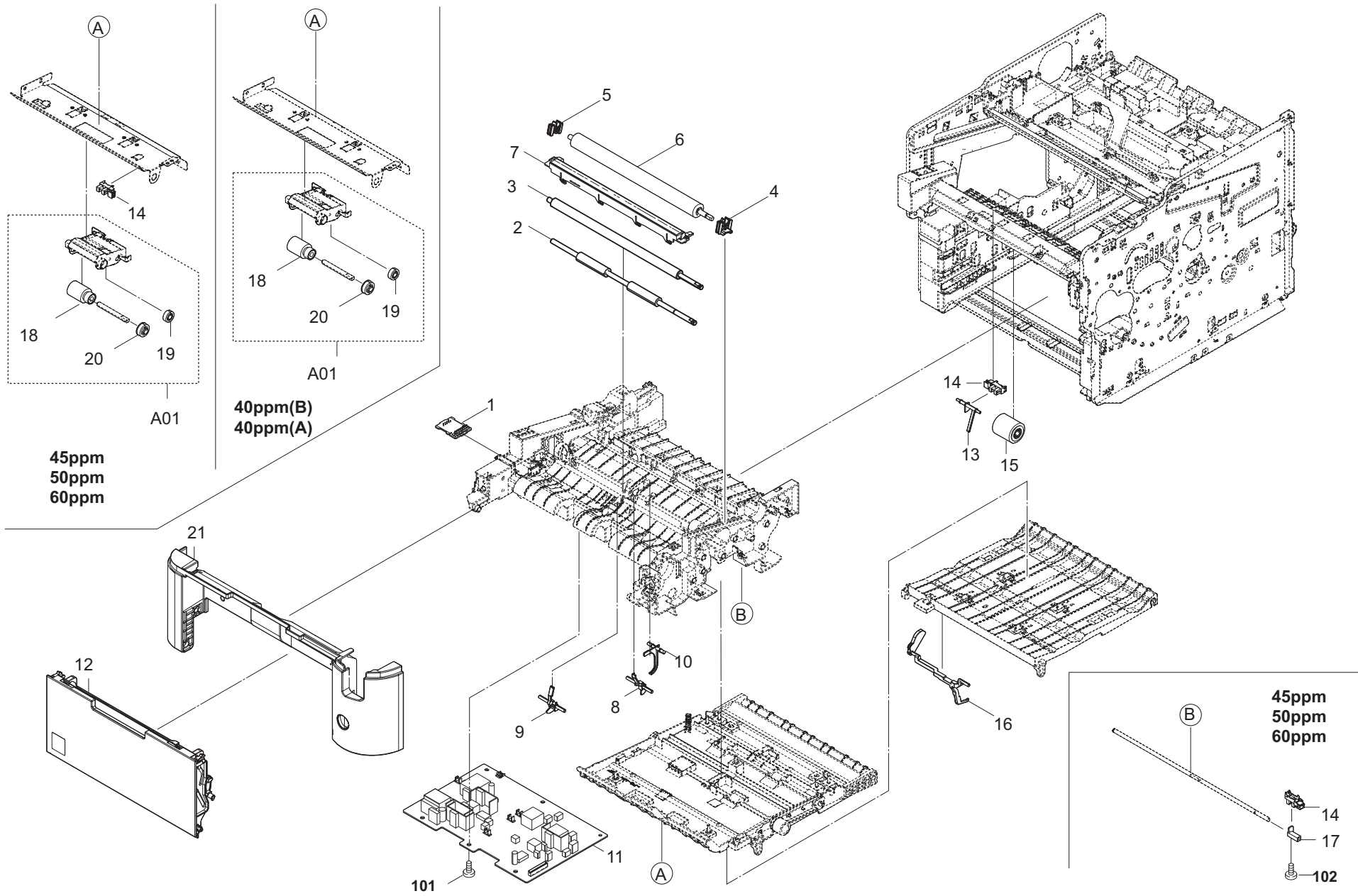


FIG. 4 Paper Feed Section

2L1/2L2/2LV/2MS/2MT-3

Ref. No.	Part.No.	Alternative.	Description	Notes	Quantity		
					120	230	240
1	302LV94200	2LV94200	PARTS PWB ASSY DRUM CONNECT SP		1	1	1
2	302LV94170	2LV94170	PARTS ROLLER REGIST LOW SP		1	1	1
3	302LV94180	2LV94180	PARTS ROLLER REGIST UP SP		1	1	1
4	302F924190	2F924190	BUSH TRANSFER R		1	1	1
5	302LV24360	2LV24360	BUSH TRANSFER L		1	1	1
6	302LV94130	2LV94130	PARTS ROLLER TRANSFER SP		1	1	1
7	302LV94261	2LV94261	PARTS GUIDE PAPER CHUTE SP		1	1	1
8	302LV24100	2LV24100	ACTUATOR IMAGE	45ppm/50ppm/60ppm	1	1	1
9	302L224030	2L224030	ACTUATOR REGIST	40ppm(B)/40ppm(A)	1	1	1
10	302LV24110	2LV24110	ACTUATOR DU		1	1	1
11	302LV94060	2LV94060	PARTS HIGH VOLTAGE UNIT SP	45ppm/50ppm/60ppm	1	1	1
11	302L294030	2L294030	PARTS HIGH VOLTAGE UNIT SP	40ppm(B)/40ppm(A)	1	1	1
12	302LV94040	2LV94040	PARTS COVER MPF ASSY SP		1	1	1
13	302LV08180	2LV08180	ACTUATOR MPF		1	1	1
14	303M894260	3M894260	PARTS SENSOR OPT SP	45ppm/50ppm/60ppm	3	3	3
14	303M894260	3M894260	PARTS SENSOR OPT SP	40ppm(B)/40ppm(A)	1	1	1
15	302HS08260	2HS08260	ROLLER M/P ASSY		1	1	1
16	302LV29090	2LV29090	ACTUATOR PE		1	1	1
17	302LV24450	2LV24450	ACTUATOR ENVELOPE	45ppm/50ppm/60ppm	1	1	1
A01	302LV94270	2LV94270	PARTS HOLDER FEED ASSY SP		1	1	1
18	*302F906230	2F906230	PULLEY FEED ASSY		1	1	1
19	*302F906030	2F906030	GEAR FEED Z26H		1	1	1
20	*302F906280	2F906280	GEAR FEED Z30H		1	1	1
21	302LV04160	2LV04160	COVER FRONT	45ppm/50ppm/60ppm	1	1	1
21	302L294120	2L294120	PARTS COVER FRONT ASSY SP	40ppm(B)/40ppm(A)	1	1	1
101	7BB200412H	BB105710	+BIND T.T P SCREW 4X12				
102	7BB000304H	BB105720	+BIND M SCREW 3X4				

•Parts with Ref.No. indicate maintenance parts and the ones without it indicate out of the above.

•Parts with "-" are component parts or sub-assemblies of the assembly appearing immediately above them.

•Parts with "•" are component parts or sub-assembly with "•" appearing immediately above them.

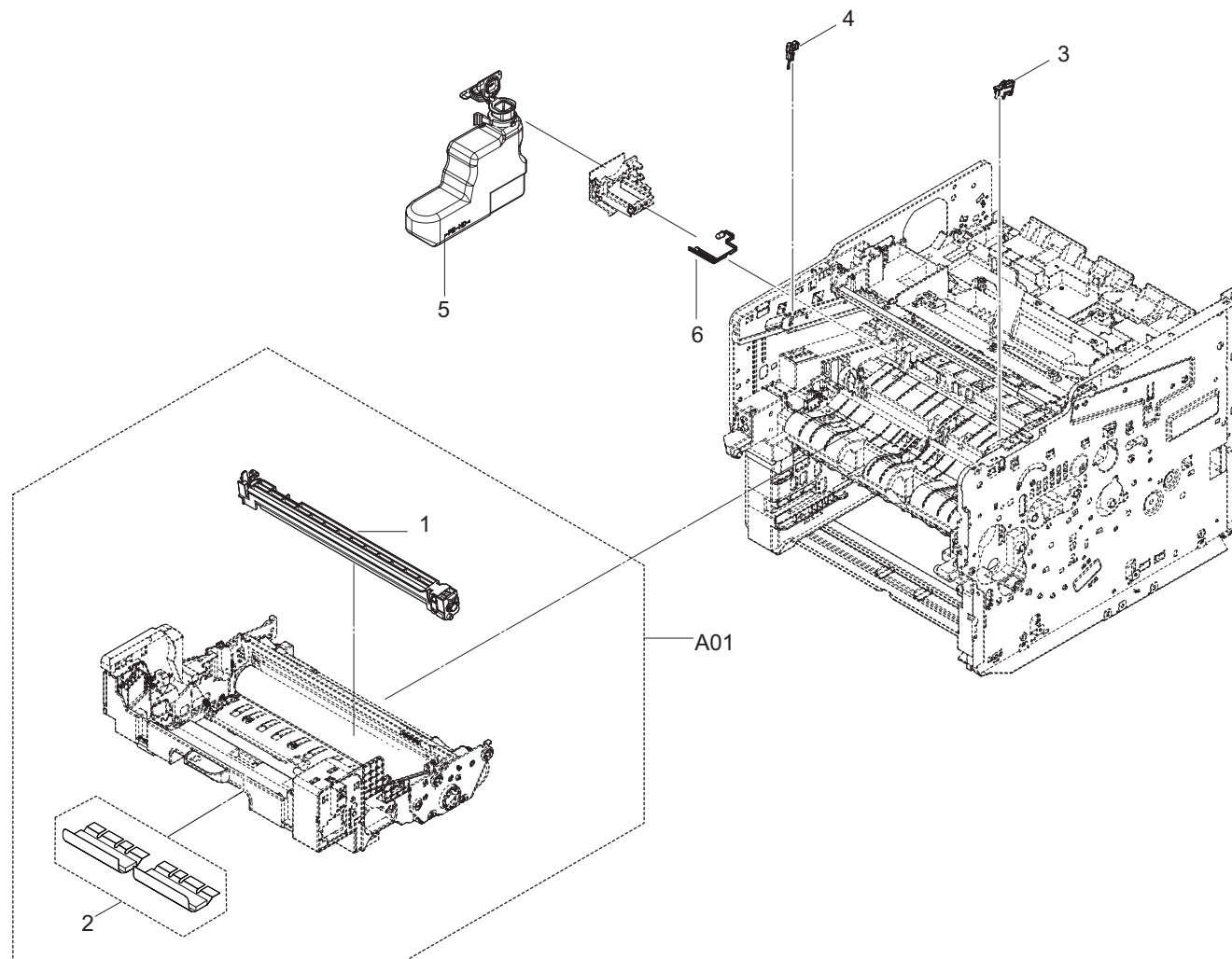


FIG. 5 Image Formation Section

2L1/2L2/2LV/2MS/2MT-3

Ref. No.	Part.No.	Alternative.	Description	Notes	Quantity		
					120	230	240
A01	302LV93042	2LV93042	DK-3130(E)	45ppm/50ppm/60ppm		1	
A01	302LV93062	2LV93062	DK-3130(U)	45ppm/50ppm/60ppm	1		
A01	302LV93072	2LV93072	DK-3130(AO)	45ppm/50ppm/60ppm			1
A01	302MS93022	2MS93022	DK-3100(E)	40ppm(B)/40ppm(A)		1	
A01	302MS93042	2MS93042	DK-3100(U)	40ppm(B)/40ppm(A)	1		
A01	302MS93052	2MS93052	DK-3100(AO)	40ppm(B)/40ppm(A)			1
1	*302LV93010	2LV93010	MC-3100		1	1	1
2	*302LV94460	2LV94460	PARTS SHEET DRUM CUSHION SET SP		1	1	1
3	302LV02110	2LV02110	STOPPER PROCESS		1	1	1
4	302LV02200	2LV02200	STOPPER PROCESS L		1	1	1
5	302LV93020	2LV93020	WT-3100		1	1	1
6	302LV94120	2LV94120	PARTS TONER FULL DETECT ASSY SP		1	1	1

•Parts with Ref.No. indicate maintenance parts and the ones without it indicate out of the above.

•Parts with "\*" are component parts or sub-assemblies of the assembly appearing immediately above them.  
 •Parts with "\* •" are component parts or sub-assembly with "\*" appearing immediately above them.

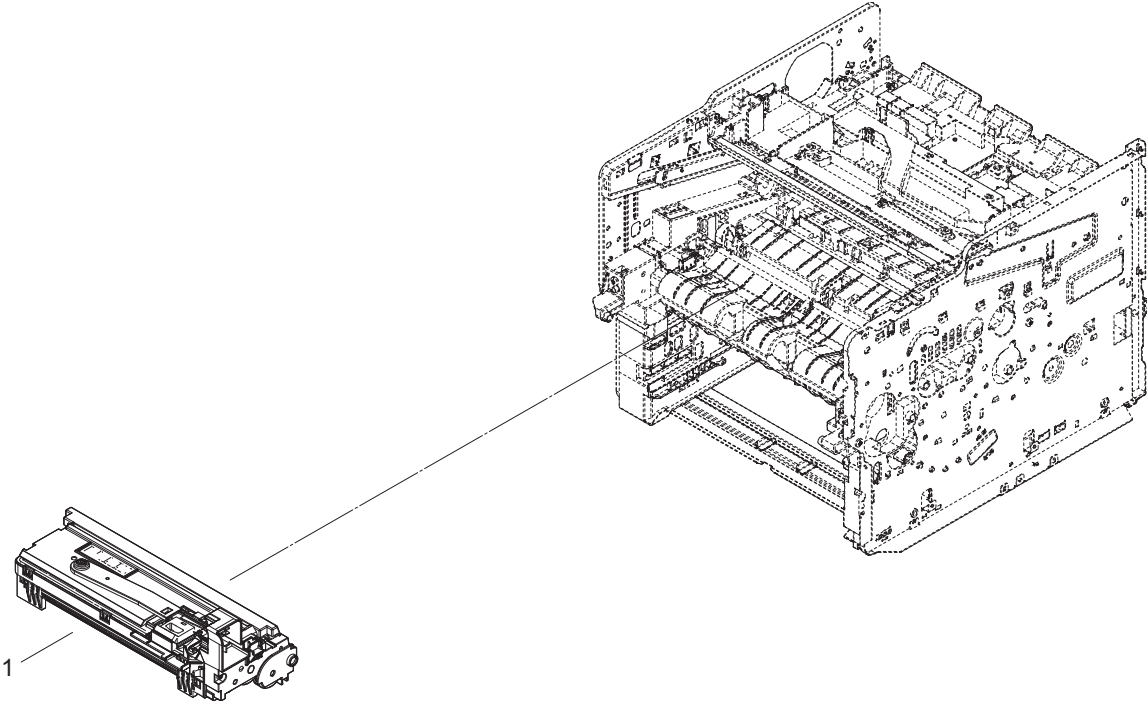


FIG. 6 Developer Section

2L1/2L2/2LV/2MS/2MT

Ref. No.	Part.No.	Alternative.	Description	Notes	Quantity		
					120	230	240
1	302LV93080	2LV93080	DV-3100		1	1	1

•Parts with Ref.No. indicate maintenance parts and the ones without it indicate out of the above.

•Parts with "\*" are component parts or sub-assemblies of the assembly appearing immediately above them.  
 •Parts with "• •" are component parts or sub-assembly with "\*" appearing immediately above them.

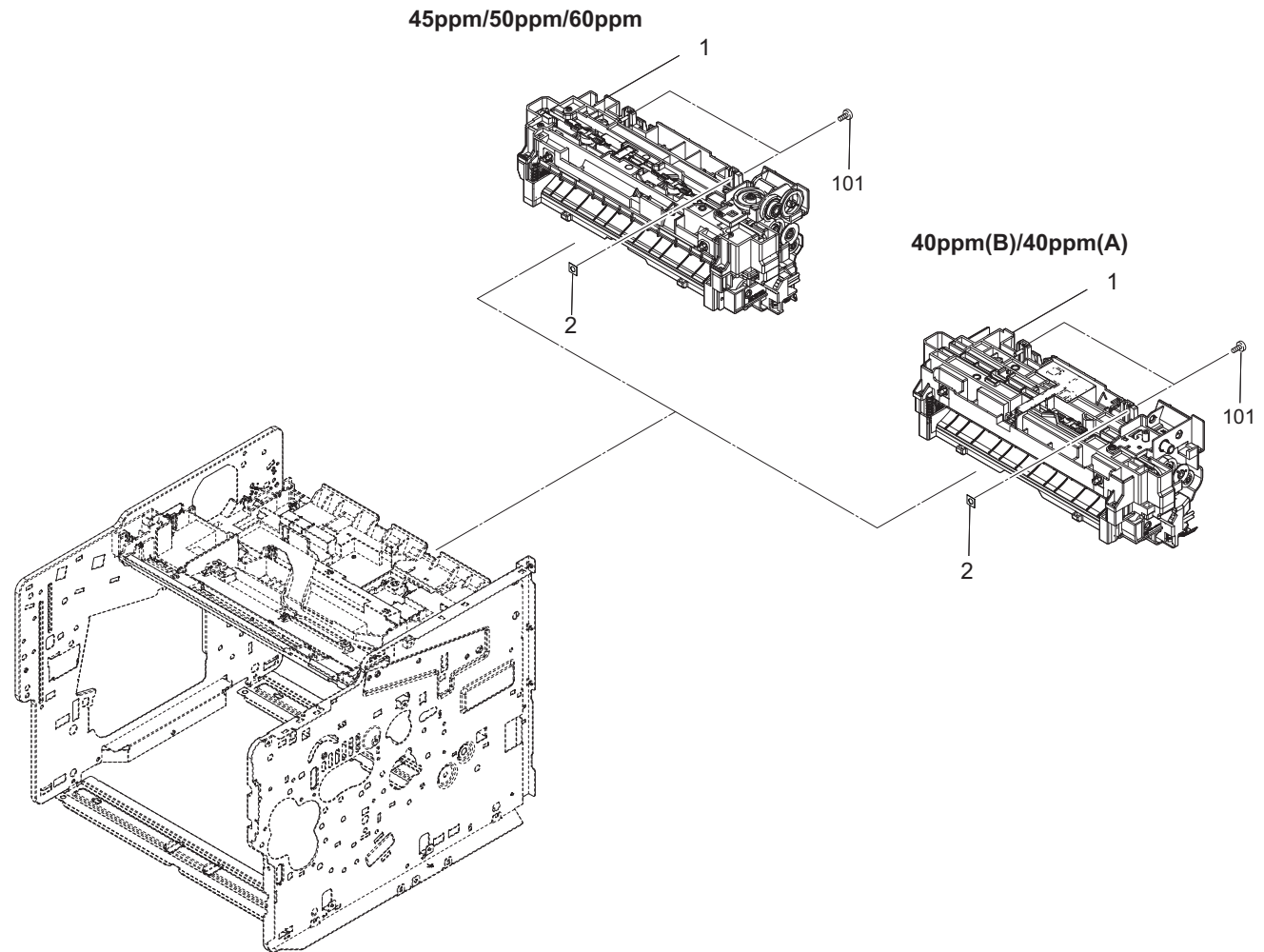


FIG. 7 Fuser Section

2L1/2L2/2LV/2MS/2MT-2

Ref. No.	Part.No.	Alternative.	Description	Notes	Quantity		
					120	230	240
1	302LV93112	2LV93112	FK-3130(E)	45ppm/50ppm/60ppm		1	1
1	302LV93132	2LV93132	FK-3130(U)	45ppm/50ppm/60ppm	1		
1	302MS93073	2MS93073	FK-3100(E)	40ppm(B)/40ppm(A)		1	1
1	302MS93093	2MS93093	FK-3100(U)	40ppm(B)/40ppm(A)	1		
2	302LV25510	2LV25510	SPACER FUSER R		1	1	1
101	7BB200412H	BB105710	+BIND T.T P SCREW 4X12				

•Parts with Ref.No. indicate maintenance parts and the ones without it indicate out of the above.

•Parts with "\*" are component parts or sub-assemblies of the assembly appearing immediately above them.  
 •Parts with "•" are component parts or sub-assembly with "\*" appearing immediately above them.



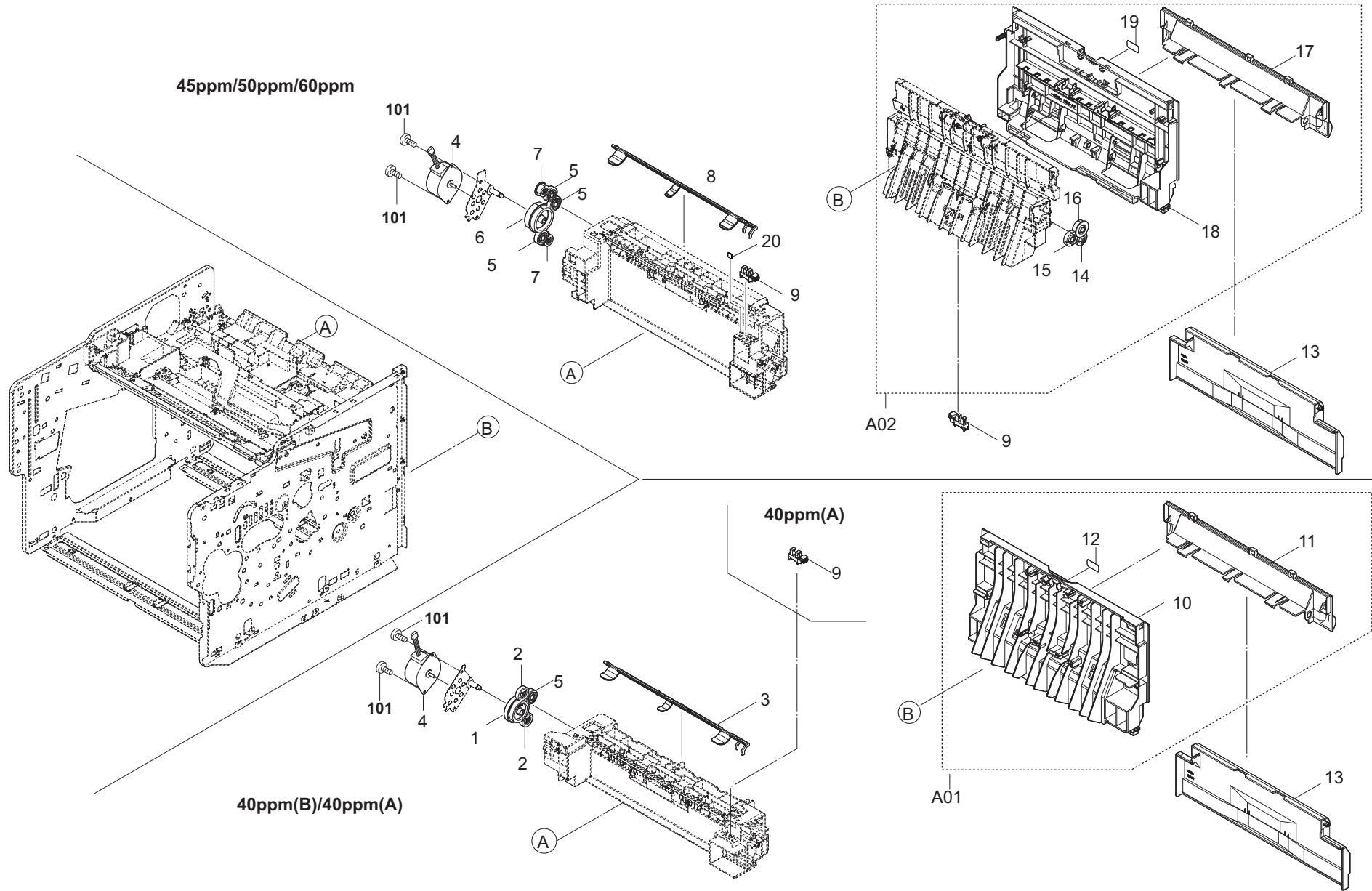


FIG. 8 Exit Section

2L1/2L2/2LV/2MS/2MT-2

Ref. No.	Part.No.	Alternative.	Description	Notes	Quantity		
					120	230	240
1	302L228041	2L228041	GEAR Z66R Z34S	40ppm(B)/40ppm(A)	1	1	1
2	302L228030	2L228030	GEAR Z21S EXIT	40ppm(B)/40ppm(A)	2	2	2
3	302L228090	2L228090	ACTUATOR OVERFLOW	40ppm(B)/40ppm(A)	1	1	1
4	302F944131	2F944131	MOTOR EJECT		1	1	1
5	302LV28050	2LV28050	GEAR Z22S	45ppm/50ppm/60ppm	3	3	3
5	302LV28050	2LV28050	GEAR Z22S	40ppm(B)/40ppm(A)	1	1	1
6	302LV28031	2LV28031	GEAR Z66R-Z40S	45ppm/50ppm/60ppm	1	1	1
7	302LV28040	2LV28040	GEAR Z17S	45ppm/50ppm/60ppm	2	2	2
8	302LV28141	2LV28141	ACTUATOR OVERFLOW	45ppm/50ppm/60ppm	1	1	1
9	303M894260	3M894260	PARTS SENSOR OPT SP	45ppm/50ppm/60ppm	2	2	2
9	303M894260	3M894260	PARTS SENSOR OPT SP	40ppm(A)	1	1	1
A01	302MS94040	2MS94040	PARTS COVER REAR ASSY SP	40ppm(B)/40ppm(A)	1	1	1
10	*302L204040	2L204040	COVER REAR UP		1	1	1
11	*302LV04110	2LV04110	COVER REAR LOW		1	1	1
12	*302MC34040	2MC34040	LABEL PUSH		1	1	1
13	302LV04120	2LV04120	COVER CASSETTE		1	1	1
A02	302LV94142	2LV94142	PARTS COVER REAR ASSY SP	45ppm/50ppm/60ppm	1	1	1
14	*302LV28090	2LV28090	GEAR Z20S		1	1	1
15	*302LV28191	2LV28191	GEAR Z22S B		1	1	1
16	*302LV28100	2LV28100	GEAR Z22S A		1	1	1
17	*302LV04110	2LV04110	COVER REAR LOW		1	1	1
18	*302LV04100	2LV04100	COVER REAR UP		1	1	1
19	*302MC34040	2MC34040	LABEL PUSH		1	1	1
20	302LV28461	2LV28461	SEAL EXIT C	45ppm/50ppm/60ppm	1	1	1
101	7BB200308H	BB105660	+BIND T.T.P SCREW 3X8				

•Parts with Ref.No. indicate maintenance parts and the ones without it indicate out of the above.

•Parts with "-" are component parts or sub-assemblies of the assembly appearing immediately above them.

•Parts with "•" are component parts or sub-assembly with "•" appearing immediately above them.

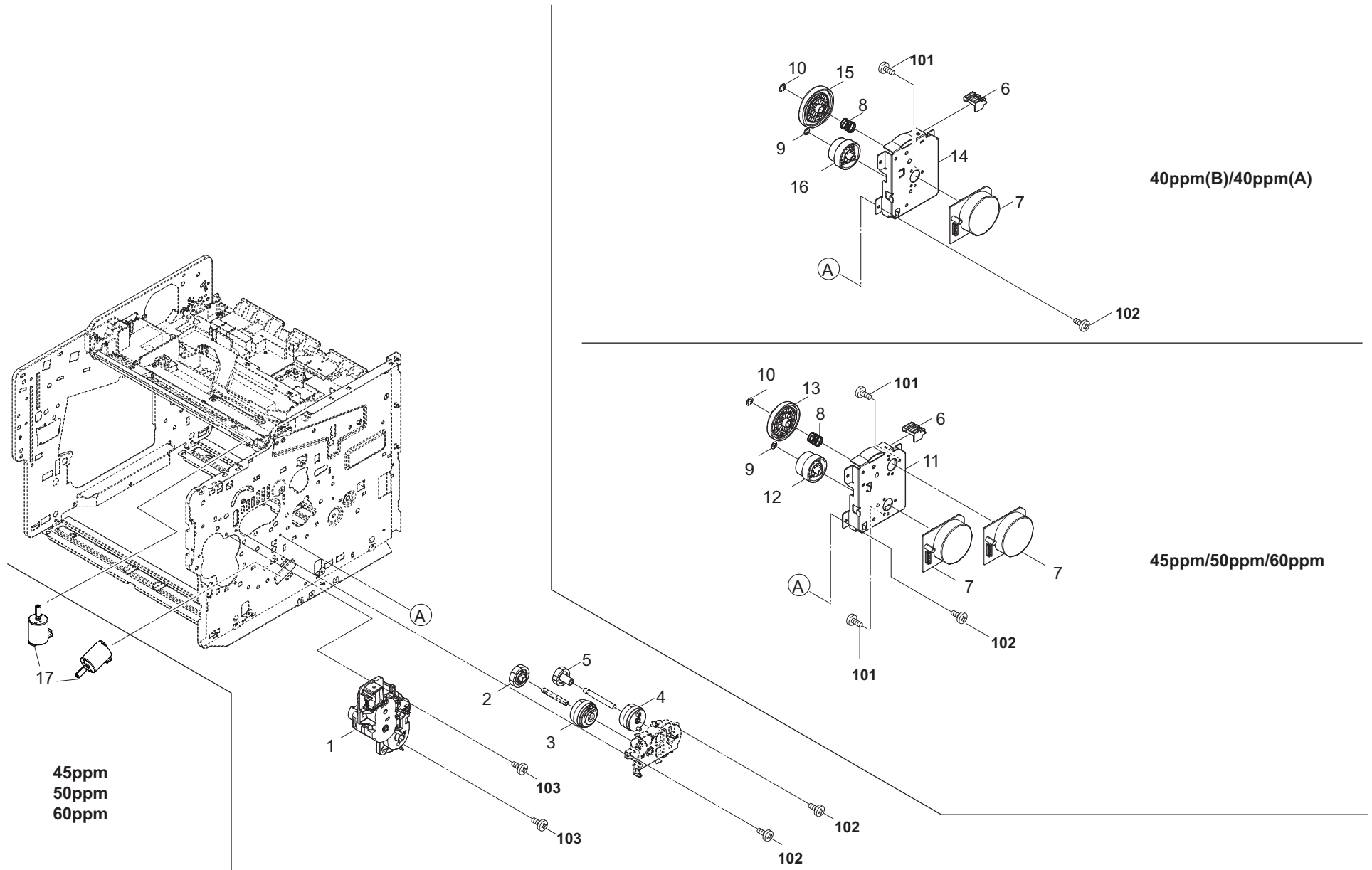


FIG. 9 Drive Section

2L1/2L2/2LV/2MS/2MT-2

Ref. No.	Part.No.	Alternative.	Description	Notes	Quantity		
					120	230	240
1	302LV94250	2LV94250	PARTS DRIVE FEED ASSY SP	45ppm/50ppm/60ppm	1	1	1
1	302MS94050	2MS94050	PARTS DRIVE FEED ASSY SP	40ppm(B)/40ppm(A)	1	1	1
2	302LV31440	2LV31440	GEAR Z32L REG CL	45ppm/50ppm/60ppm	1	1	1
3	302KV44041	2KV44041	CLUTCH 50 Z35R		1	1	1
4	302LV94160	2LV94160	PARTS CLUTCH 20-2W Z35R		1	1	1
5	302LV31180	2LV31180	GEAR Z26L DLP CLUTCH		1	1	1
6	302LV39040	2LV39040	RAIL PWB MAIN B		1	1	1
7	302K394201	2K394201	PARTS MOTOR-BL W30 SP	45ppm/50ppm/60ppm	2	2	2
7	302K394201	2K394201	PARTS MOTOR-BL W30 SP	40ppm(B)/40ppm(A)	1	1	1
8	302LV31290	2LV31290	SPRING COUPLING DRUM		1	1	1
9	2C904550	2C904550	CUT WASHER 5		1	1	1
10	302K914570	2K914570	CUT WASHER 7		1	1	1
11	302LV31010	2LV31010	PLATE DRIVE	45ppm/50ppm/60ppm	1	1	1
12	302LV31060	2LV31060	GEAR Z80R-Z36L	45ppm/50ppm/60ppm	1	1	1
13	302LV31050	2LV31050	GEAR Z119R	45ppm/50ppm/60ppm	1	1	1
14	302L231030	2L231030	PLATE DRIVE	40ppm(B)/40ppm(A)	1	1	1
15	302L231040	2L231040	GEAR Z128R	40ppm(B)/40ppm(A)	1	1	1
16	302L231050	2L231050	GEAR Z86R-Z36L	40ppm(B)/40ppm(A)	1	1	1
17	302LV94230	2LV94230	PARTS DC MOTOR ASSY SP	45ppm/50ppm/60ppm	2	2	2
101	7BB000304H	BB105720	+BIND M SCREW 3X4				
102	7BB700308H	BB105600	+BIND T.T S SCREW 3X8 SR				
103	7BB700312H	BB106820	+BIND T.T S SCREW 3X12 SR				

•Parts with Ref.No. indicate maintenance parts and the ones without it indicate out of the above.

•Parts with "-" are component parts or sub-assemblies of the assembly appearing immediately above them.

•Parts with "•" are component parts or sub-assembly with "•" appearing immediately above them.

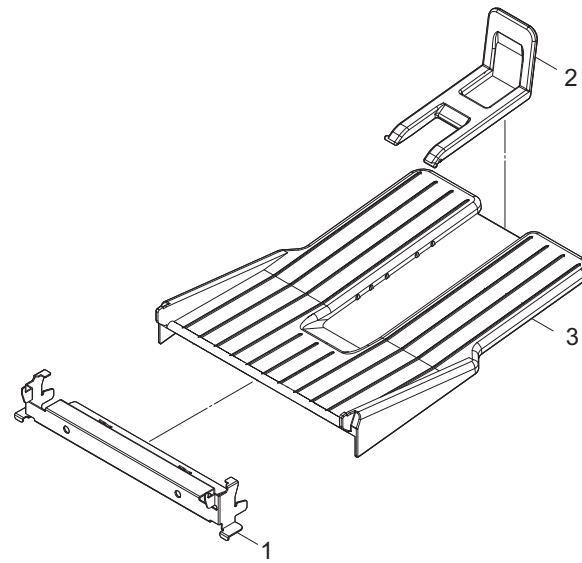


FIG. 10 PT-320

2L1/2L2/2LV/2MS/2MT

Ref. No.	Part.No.	Alternative.	Description	Notes	Quantity		
					120	230	240
1	303N728010	3N728010	PLATE HOOK		1	1	1
2	303N728030	3N728030	STOPPER PAPER REAR		1	1	1
3	303N728020	3N728020	TRAY REAR		1	1	1

•Parts with Ref.No. indicate maintenance parts and the ones without it indicate out of the above.

•Parts with "\*" are component parts or sub-assemblies of the assembly appearing immediately above them.  
 •Parts with "•" are component parts or sub-assembly with "\*" appearing immediately above them.

FIG. 11 Maintenance Kits

2L1/2L2/2LV/2MS/2MT-2

Ref. No.	Part.No.	Alternative.	Description	Notes	Quantity		
					120	230	240
	1702MS7US0	072MS7US	MK-3102/MAINTENANCE KIT RETARD ROLLER ASSY PARTS HOLDER FEED ASSY SP ROLLER TRANSFER ASSY DK-3100(U) DV-3100 FK-3100(U)	OPTION 40ppm(B)/40ppm(A)	1		
	1702MS8AS0	072MS8AS	MK-3104/MAINTENANCE KIT RETARD ROLLER ASSY PARTS HOLDER FEED ASSY SP ROLLER TRANSFER ASSY DK-3100(AO) DV-3100 FK-3100(E)	OPTION 40ppm(B)/40ppm(A)			1
	1702MS8NL0	072MS8NL	MK-3100/MAINTENANCE KIT RETARD ROLLER ASSY PARTS HOLDER FEED ASSY SP ROLLER TRANSFER ASSY DK-3100(E) DV-3100 FK-3100(E)	OPTION 40ppm(B)/40ppm(A)		1	
	1702MT7US0	072MT7US	MK-3132/MAINTENANCE KIT RETARD ROLLER ASSY PARTS HOLDER FEED ASSY SP ROLLER TRANSFER ASSY DK-3130(U) DV-3100 FK-3130(U)	OPTION 45ppm/50ppm/60ppm	1		
	1702MT8AS0	072MT8AS	MK-3134/MAINTENANCE KIT RETARD ROLLER ASSY PARTS HOLDER FEED ASSY SP ROLLER TRANSFER ASSY DK-3130(AO) DV-3100 FK-3130(E)	OPTION 45ppm/50ppm/60ppm			1
	1702MT8NL0	072MT8NL	MK-3130/MAINTENANCE KIT RETARD ROLLER ASSY PARTS HOLDER FEED ASSY SP ROLLER TRANSFER ASSY DK-3130(E) DV-3100 FK-3130(E)	OPTION 45ppm/50ppm/60ppm		1	

•Parts with Ref.No. indicate maintenance parts and the ones without it indicate out of the above.

•Parts with "-" are component parts or sub-assemblies of the assembly appearing immediately above them.  
•Parts with "•" are component parts or sub-assembly with "•" appearing immediately above them.

INDEX

2L1/2L2/2LV/2MS/2MT-3

Part.No.	Alternative.	Description	Fig.No.	Part.No.	Alternative.	Description	Fig.No.
1702MS7US0	072MS7US	MK-3102/MAINTENANCE KIT	11	302LV02610	2LV02610	SHEET FAN L	2
1702MS8AS0	072MS8AS	MK-3104/MAINTENANCE KIT	11	302LV04040	2LV04040	COVER LEFT UP	1
1702MS8NLO	072MS8NL	MK-3100/MAINTENANCE KIT	11	302LV04050	2LV04050	COVER LEFT LOW	1
1702MT7US0	072MT7US	MK-3132/MAINTENANCE KIT	11	302LV04070	2LV04070	COVER RIGHT LOW	1
1702MT8AS0	072MT8AS	MK-3134/MAINTENANCE KIT	11	302LV04080	2LV04080	COVER RIGHT FRONT	1
1702MT8NLO	072MT8NL	MK-3130/MAINTENANCE KIT	11	302LV04100	2LV04100	COVER REAR UP	8
2C904550	2C904550	CUT WASHER 5	9	302LV04110	2LV04110	COVER REAR LOW	8
2FB27160	2FB27160	INTER LOCK SWITCH	2	302LV04120	2LV04120	COVER CASSETTE	8
3019527401	19527401	POWER CORD(120)	2	302LV04130	2LV04130	COVER CONT UP	1
302F906030	2F906030	GEAR FEED Z26H	4	302LV04140	2LV04140	COVER CONT MIDDLE	1
302F906230	2F906230	PULLEY FEED ASSY	4	302LV04150	2LV04150	COVER CONT LOW	1
302F906280	2F906280	GEAR FEED Z30H	4	302LV04160	2LV04160	COVER FRONT	4
302F909171	2F909171	RETARD ROLLER ASSY	3	302LV04170	2LV04170	COVER SIDE UP	1
302F924190	2F924190	BUSH TRANSFER R	4	302LV04190	2LV04190	COVER SIDE LOW	1
302F939082	2F939082	SCREW BOX	2	302LV04250	2LV04250	COVER LEFT UP REAR	1
302F944131	2F944131	MOTOR EJECT	8	302LV04260	2LV04260	COVER LEFT LOW REAR	1
302FV45040	2FV45040	AC CORD ASSY	2	302LV04270	2LV04270	COVER RIGHT REAR	1
302FV94010	2FV94010	PARTS AC CORD EU SP	2	302LV04280	2LV04280	COVER CABLE	1
302FZ94420	2FZ94420	PARTS,FAN COOLING CONVEYING SP	2	302LV04290	2LV04290	PANEL LCD	1
302GR44080	2GR44080	FAN LSU 60-25	2	302LV05140	2LV05140	SHEET OPE E	1
302HN02611	2HN02611	FOOT	2	302LV05150	2LV05150	SHEET OPE GER	1
302HS08260	2HS08260	ROLLER M/P ASSY	4	302LV05160	2LV05160	SHEET OPE FRA	1
302K394201	2K394201	PARTS MOTOR-BL W30 SP	9	302LV05170	2LV05170	SHEET OPE ITA	1
302K914570	2K914570	CUT WASHER 7	9	302LV05180	2LV05180	SHEET OPE SPA	1
302KV44041	2KV44041	CLUTCH 50 Z35R	9	302LV05190	2LV05190	SHEET OPE POR	1
302L194010	2L194010	PARTS LID TOP ASSY SP	1	302LV05200	2LV05200	SHEET OPE DUT	1
302L194031	2L194031	PARTS PWB ASSY ENGINE SP	2	302LV05210	2LV05210	SHEET OPE RUS	1
302L204040	2L204040	COVER REAR UP	8	302LV08180	2LV08180	ACTUATOR MPF	4
302L224030	2L224030	ACTUATOR REGIST	4	302LV09110	2LV09110	HOLDER RETARD	3
302L228030	2L228030	GEAR Z21S EXIT	8	302LV09120	2LV09120	GUIDE RETARD	3
302L228041	2L228041	GEAR Z66R Z34S	8	302LV09130	2LV09130	SPRING RETARD	3
302L228090	2L228090	ACTUATOR OVERFLOW	8	302LV09200	2LV09200	COVER LIFT GEAR	3
302L231030	2L231030	PLATE DRIVE	9	302LV09220	2LV09220	GEAR Z15S JOINT	3
302L231040	2L231040	GEAR Z128R	9	302LV09240	2LV09240	GEAR Z48S LIFT	3
302L231050	2L231050	GEAR Z86R-Z36L	9	302LV24100	2LV24100	ACTUATOR IMAGE	4
302L246060	2L246060	CONN.CORD ASSY S03720	2	302LV24110	2LV24110	ACTUATOR DU	4
302L246080	2L246080	CONN.CORD ASSY S03781	1	302LV24360	2LV24360	BUSH TRANSFER L	4
302L294010	2L294010	PARTS COVER TOP ASSY	1	302LV24450	2LV24450	ACTUATOR ENVELOPE	4
302L294020	2L294020	PARTS LID TOP ASSY SP	1	302LV25510	2LV25510	SPACER FUSER R	7
302L294030	2L294030	PARTS HIGH VOLTAGE UNIT SP	4	302LV28031	2LV28031	GEAR Z66R-Z40S	8
302L294040	2L294040	PARTS SWITCHING REGULATOR 230V SP	2	302LV28040	2LV28040	GEAR Z17S	8
302L294050	2L294050	PARTS SWITCHING REGULATOR 120V SP	2	302LV28050	2LV28050	GEAR Z22S	8
302L294062	2L294062	PARTS PWB ASSY MAIN SP	2	302LV28090	2LV28090	GEAR Z20S	8
302L294071	2L294071	PARTS PWB ASSY MAIN SP EU	2	302LV28100	2LV28100	GEAR Z22S A	8
302L294081	2L294081	PARTS PWB ASSY ENGINE SP	2	302LV28141	2LV28141	ACTUATOR OVERFLOW	8
302L294091	2L294091	PARTS PWB ASSY CONNECT-L SP	2	302LV28191	2LV28191	GEAR Z22S B	8
302L294110	2L294110	PARTS TRAY TOP ASSY SP	1	302LV28461	2LV28461	SEAL EXIT C	8
302L294120	2L294120	PARTS COVER FRONT ASSY SP	4	302LV29090	2LV29090	ACTUATOR PE	4
302LV02110	2LV02110	STOPPER PROCESS	5	302LV31010	2LV31010	PLATE DRIVE	9
302LV02200	2LV02200	STOPPER PROCESS L	5	302LV31050	2LV31050	GEAR Z119R	9



Part.No.	Alternative.	Description	Fig.No.	Part.No.	Alternative.	Description	Fig.No.
302LV31060	2LV31060	GEAR Z80R-Z36L	9	302MS93042	2MS93042	DK-3100(U)	5
302LV31180	2LV31180	GEAR Z26L DLP CLUTCH	9	302MS93052	2MS93052	DK-3100(AO)	5
302LV31290	2LV31290	SPRING COUPLING DRUM	9	302MS93060	2MS93060	LK-3100	2
302LV31440	2LV31440	GEAR Z32L REG CL	9	302MS93073	2MS93073	FK-3100(E)	7
302LV39040	2LV39040	RAIL PWB MAIN B	9	302MS93093	2MS93093	FK-3100(U)	7
302LV46140	2LV46140	CONN.CORD ASSY S03666	2	302MS94010	2MS94010	PARTS LID TOP ASSY SP	1
302LV46290	2LV46290	CONN.CORD ASSY S03681	2	302MS94031	2MS94031	PARTS PWB ASSY ENGINE SP	2
302LV46300	2LV46300	CONN.CORD ASSY S03682	1	302MS94040	2MS94040	PARTS COVER REAR ASSY SP	8
302LV46420	2LV46420	CONN.CORD ASSY S03737	2	302MS94050	2MS94050	PARTS DRIVE FEED ASSY SP	9
302LV93010	2LV93010	MC-3100	5	302MT94010	2MT94010	PARTS LID TOP ASSY SP	1
302LV93020	2LV93020	WT-3100	5	302MT94021	2MT94021	PARTS PWB ASSY ENGINE SP	2
302LV93030	2LV93030	CT-3130	3	303M894260	3M894260	PARTS SENSOR OPT SP	4,8
302LV93042	2LV93042	DK-3130(E)	5	303N728010	3N728010	PLATE HOOK	10
302LV93062	2LV93062	DK-3130(U)	5	303N728020	3N728020	TRAY REAR	10
302LV93072	2LV93072	DK-3130(AO)	5	303N728030	3N728030	STOPPER PAPER REAR	10
302LV93080	2LV93080	DV-3100	6	5MVG127DN071	2A807050	GEAR CASSETTE /A-49 CASSETTE A4	3
302LV93090	2LV93090	LK-3130	2	7SP01000006+H01	SP121020	SW.PUSH	2
302LV93112	2LV93112	FK-3130(E)	7				
302LV93132	2LV93132	FK-3130(U)	7				
302LV94010	2LV94010	PARTS COVER TOP ASSY SP	1				
302LV94020	2LV94020	PARTS LID TOP ASSY SP	1				
302LV94040	2LV94040	PARTS COVER MPF ASSY SP	4				
302LV94050	2LV94050	PARTS PWB ASSY PANEL SP	1				
302LV94060	2LV94060	PARTS HIGH VOLTAGE UNIT SP	4				
302LV94070	2LV94070	PARTS SWITCHING REGULATOR 230V SP	2				
302LV94080	2LV94080	PARTS SWITCHING REGULATOR 120V SP	2				
302LV94092	2LV94092	PARTS PWB ASSY MAIN SP	2				
302LV94101	2LV94101	PARTS PWB ASSY MAIN SP EU	2				
302LV94111	2LV94111	PARTS PWB ASSY ENGINE SP	2				
302LV94120	2LV94120	PARTS TONER FULL DETECT ASSY SP	5				
302LV94130	2LV94130	PARTS ROLLER TRANSFER SP	4				
302LV94142	2LV94142	PARTS COVER REAR ASSY SP	8				
302LV94160	2LV94160	PARTS CLUTCH 20-2W Z35R	9				
302LV94170	2LV94170	PARTS ROLLER REGIST LOW SP	4				
302LV94180	2LV94180	PARTS ROLLER REGIST UP SP	4				
302LV94191	2LV94191	PARTS PWB ASSY CONNECT-L SP	2				
302LV94200	2LV94200	PARTS PWB ASSY DRUM CONNECT SP	4				
302LV94210	2LV94210	PARTS PWB ASSY SWITCH SP	2				
302LV94220	2LV94220	PARTS PWB ASSY TH CONNECT SP	2				
302LV94230	2LV94230	PARTS DC MOTOR ASSY SP	9				
302LV94250	2LV94250	PARTS DRIVE FEED ASSY SP	9				
302LV94261	2LV94261	PARTS GUIDE PAPER CHUTE SP	4				
302LV94270	2LV94270	PARTS HOLDER FEED ASSY SP	4				
302LV94280	2LV94280	PARTS TRAY TOP ASSY SP	1				
302LV94290	2LV94290	PARTS COVER RIGHT UP ASSY SP	1				
302LV94430	2LV94430	PARTS FAN MOTOR ASSY SP	2				
302LV94460	2LV94460	PARTS SHEET DRUM CUSHION SET SP	5				
302MC34040	2MC34040	LABEL PUSH	8				
302MS93010	2MS93010	CT-3100	3				
302MS93022	2MS93022	DK-3100(E)	5				

**KYOCERA Document Solutions America, Inc.****Headquarters**

225 Sand Road,  
Fairfield, New Jersey 07004-0008, USA  
Phone: +1-973-808-8444  
Fax: +1-973-882-6000

**Latin America**

8240 NW 52nd Terrace Dawson Building, Suite 100  
Miami, Florida 33166, USA  
Phone: +1-305-421-6640  
Fax: +1-305-421-6666

**KYOCERA Document Solutions Canada, Ltd.**

6120 Kestrel Rd., Mississauga, ON L5T 1S8,  
Canada  
Phone: +1-905-670-4425  
Fax: +1-905-670-8116

**KYOCERA Document Solutions  
Mexico, S.A. de C.V.**

Calle Arquimedes No. 130, 4 Piso, Colonia Polanco  
Chapultepec, Delegacion Miguel Hidalgo,  
Distrito Federal, C.P. 11560, México  
Phone: +52-555-383-2741  
Fax: +52-555-383-7804

**KYOCERA Document Solutions Brazil, Ltda.**

Av. Tambore, 1180 Mod. B-09 CEP 06460-000  
Tambore-Barueri-SP, Brazil  
Phone: +55-11-4195-8496  
Fax: +55-11-4195-6167

**KYOCERA Document Solutions  
Australia Pty. Ltd.**

Level 3, 6-10 Talavera Road North Ryde N.S.W, 2113,  
Australia  
Phone: +61-2-9888-9999  
Fax: +61-2-9888-9588

**KYOCERA Document Solutions  
New Zealand Ltd.**

Ground Floor, 19 Byron Avenue, Takapuna, Auckland,  
New Zealand  
Phone: +64-9-415-4517  
Fax: +64-9-415-4597

**KYOCERA Document Solutions Asia Limited**

16/F., Mita Centre, 552-566, Castle Peak Road  
Tsuenwan, NT, Hong Kong  
Phone: +852-2610-2181  
Fax: +852-2610-2063

**KYOCERA Document Solutions  
(China) Corporation**

8F, No. 288 Nanjing Road West, Huangpu District,  
Shanghai, 200003, China  
Phone: +86-21-5301-1777  
Fax: +86-21-5302-8300

**KYOCERA Document Solutions  
(Thailand) Corp., Ltd.**

335 Ratchadapisek Road, Bangsue, Bangkok 10800,  
Thailand  
Phone: +66-2-586-0333  
Fax: +66-2-586-0278

**KYOCERA Document Solutions  
Singapore Pte. Ltd.**

12 Tai Seng Street #04-01A,  
Luxasia Building, Singapore 534118  
Phone: +65-6741-8733  
Fax: +65-6748-3788

**KYOCERA Document Solutions  
Hong Kong Limited**

16/F., Mita Centre, 552-566, Castle Peak Road  
Tsuenwan, NT, Hong Kong  
Phone: +852-3582-4000  
Fax: +852-3185-1399

**KYOCERA Document Solutions  
Taiwan Corporation**

6F., No. 37, Sec. 3, Minguan E. Rd.,  
Zhongshan Dist., Taipei 104, Taiwan R.O.C.  
Phone: +886-2-2507-6709  
Fax: +886-2-2507-8432

**KYOCERA Document Solutions Korea Co., Ltd.**

18F, Kangnam bldg, 1321-1,  
Seocho-Dong, Seocho-Gu, Seoul, Korea  
Phone: +822-6933-4050  
Fax: +822-747-0084

**KYOCERA Document Solutions  
India Private Limited**

First Floor, ORCHID CENTRE  
Sector-53, Golf Course Road, Gurgaon 122 002,  
India  
Phone: +91-0124-4671000  
Fax: +91-0124-4671001

**KYOCERA Document Solutions Europe B.V.**

Bloemlaan 4, 2132 NP Hoofddorp,  
The Netherlands  
Phone: +31-20-654-0000  
Fax: +31-20-653-1256

**KYOCERA Document Solutions Nederland B.V.**

Beechavenue 25, 1119 RA Schiphol-Rijk,  
The Netherlands  
Phone: +31-20-5877200  
Fax: +31-20-5877260

**KYOCERA Document Solutions (U.K.) Limited**

Eldon Court, 75-77 London Road,  
Reading, Berkshire RG1 5BS,  
United Kingdom  
Phone: +44-118-931-1500  
Fax: +44-118-931-1108

**KYOCERA Document Solutions Italia S.p.A.**

Via Verdi, 89/91 20063 Cernusco s/N.(MI),  
Italy  
Phone: +39-02-921791  
Fax: +39-02-92179-600

**KYOCERA Document Solutions Belgium N.V.**

Sint-Martinusweg 199-201 1930 Zaventem,  
Belgium  
Phone: +32-2-7209270  
Fax: +32-2-7208748

**KYOCERA Document Solutions France S.A.S.**

Espace Technologique de St Aubin  
Route de l'Orme 91195 Gif-sur-Yvette CEDEX,  
France  
Phone: +33-1-69852600  
Fax: +33-1-69853409

**KYOCERA Document Solutions Espana, S.A.**

Edificio Kyocera, Avda. de Manacor No.2,  
28290 Las Matas (Madrid), Spain  
Phone: +34-91-6318392  
Fax: +34-91-6318219

**KYOCERA Document Solutions Finland Oy**

Atomitie 5C, 00370 Helsinki,  
Finland  
Phone: +358-9-47805200  
Fax: +358-9-47805390

**KYOCERA Document Solutions Europe B.V., Amsterdam (NL) Zürich Branch**

Hohlstrasse 614, 8048 Zürich,  
Switzerland  
Phone: +41-44-9084949  
Fax: +41-44-9084950

**KYOCERA Document Solutions Deutschland GmbH**

Otto-Hahn-Strasse 12, 40670 Meerbusch,  
Germany  
Phone: +49-2159-9180  
Fax: +49-2159-918100

**KYOCERA Document Solutions Austria GmbH**

Eduard-Kittenberger-Gasse 95, 1230 Vienna,  
Austria  
Phone: +43-1-863380  
Fax: +43-1-86338-400

**KYOCERA Document Solutions Nordic AB**

Esbogatan 16B 164 75 Kista, Sweden  
Phone: +46-8-546-550-00  
Fax: +46-8-546-550-10

**KYOCERA Document Solutions Norge Nuf**

Postboks 150 Oppsal, 0619 Oslo,  
Norway  
Phone: +47-22-62-73-00  
Fax: +47-22-62-72-00

**KYOCERA Document Solutions Danmark A/S**

Ejby Industrivej 60, DK-2600 Glostrup,  
Denmark  
Phone: +45-70223880  
Fax: +45-45765850

**KYOCERA Document Solutions Portugal Lda.**

Rua do Centro Cultural, 41 (Alvalade) 1700-106 Lisboa,  
Portugal  
Phone: +351-21-843-6780  
Fax: +351-21-849-3312

**KYOCERA Document Solutions South Africa (Pty) Ltd.**

KYOCERA House, Hertford Office Park,  
90 Bekker Road (Cnr. Allandale), Midrand, South Africa.  
Phone: +27-11-540-2600  
Fax: +27-11-466-3050

**KYOCERA Document Solutions Russia LLC**

Botanichesky pereulok 5, Moscow, 129090,  
Russia  
Phone: +7(495)741-0004  
Fax: +7(495)741-0018

**KYOCERA Document Solutions Middle East**

Dubai Internet City, Bldg. 17,  
Office 157 P.O. Box 500817, Dubai,  
United Arab Emirates  
Phone: +971-04-433-0412

**KYOCERA Document Solutions Inc.**

2-28, 1-chome, Tamatsukuri, Chuo-ku  
Osaka 540-8585, Japan  
Phone: +81-6-6764-3555  
<http://www.kyoceradocumentsolutions.com>

© 2013 KYOCERA Document Solutions Inc.

 is a trademark of KYOCERA Corporation