



DP-410

PARTS LIST

Published in October 2005

843HL123

Rev. 3

— CONTENTS —

FIG. 1 Exterior Covers2
FIG. 2 Frames 4
FIG. 3 Paper Feed Section6
FIG. 4 Paper Conveying Section.....8

• INDEX 10

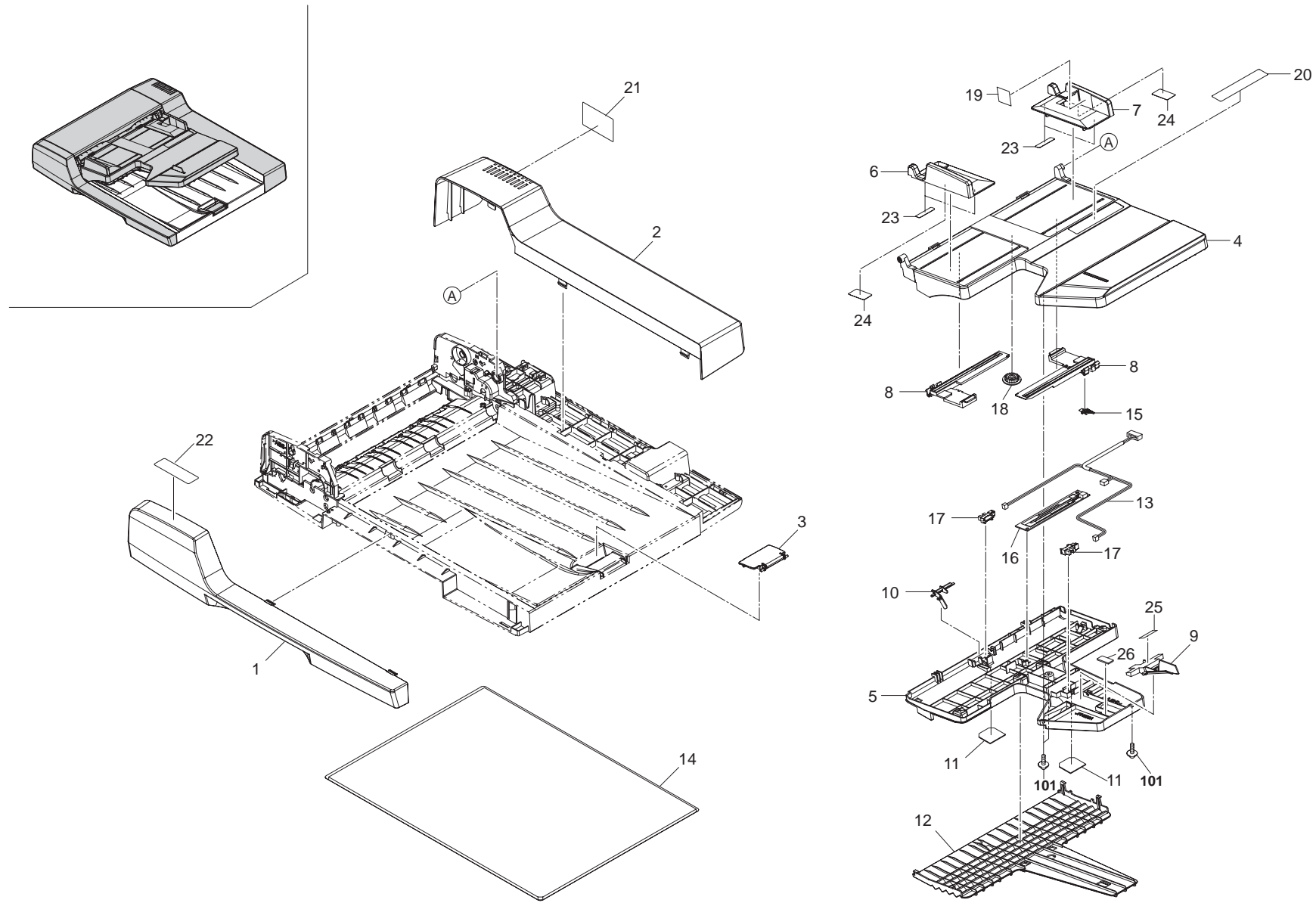


FIG. 1 Exterior Covers

3HL-3

SP	Ref. No.	Part.No.	Alternative.	Description	Quantity			
					110	120	230	240
⊙	1	3HL04010		FRONT COVER	1	1	1	1
⊙	2	3HL04020		REAR COVER	1	1	1	1
⊙	3	3HL04030		STOPPER EJECT ORIGINAL	1	1	1	1
⊙	4	3HL06010		TABLE ORIGINAL	1	1	1	1
⊙	5	3HL06020		COVER TABLE	1	1	1	1
⊙	6	3HL06030		FRONT CURSOR TABLE	1	1	1	1
⊙	7	3HL06040		REAR CURSOR TABLE	1	1	1	1
⊙	8	3HL06050		RACK TABLE	2	2	2	2
⊙	9	3HL06060		ACTUATOR SIZE DETECTION	1	1	1	1
⊙	10	3HL06070		ACTUATOR LOOP SWITCH	1	1	1	1
⊙	11	3HL06080		FILM TABLE PI	2	2	2	2
⊙	12	3HL10010		TRAY LOOP	1	1	1	1
⊙	13	3HL27010		CONN.CORD ASSY PCB-TABLE	1	1	1	1
⊙	14	3HL02280		MAT ORIGINAL HOLDER	1	1	1	1
⊙	15	3HL06110		TERMINAL PAPER SIZE	1	1	1	1
⊙	16	2C901050		PCB MPF SIZE ASSY	1	1	1	1
⊙	17	2C927210		SENSOR 248NL1	2	2	2	2
⊙	18	65907210		GEAR 20,CASSETTE	1	1	1	1
	19	3HL05020		LABEL,ORIGINAL SET	1	1	1	1
	20	3HL05030		LABEL,ORIGINAL CURSOR	1	1	1	1
	21	3HL05040		LABEL,HINGE CAUTION	1	1	1	1
	22	3HL05050		LABEL,JAM REMOVALMENT	1	1	1	1
	23	3HL06090		CUSHION CURSOR	4	4	4	4
	24	3HL06120		SPACER CURSOR	2	2	2	2
⊙	25	3HL06130		FILM ACTUATOR	1	1	1	1
⊙	26	3HL06140		CUSHION ACTUATOR	1	1	1	1

SP	Ref. No.	Part.No.	Alternative.	Description	Quantity			
					110	120	230	240
	101	BAA63080		+TP TAP-TITE P SCREW M3X08				

• Parts with "⊙" indicates the spare parts.

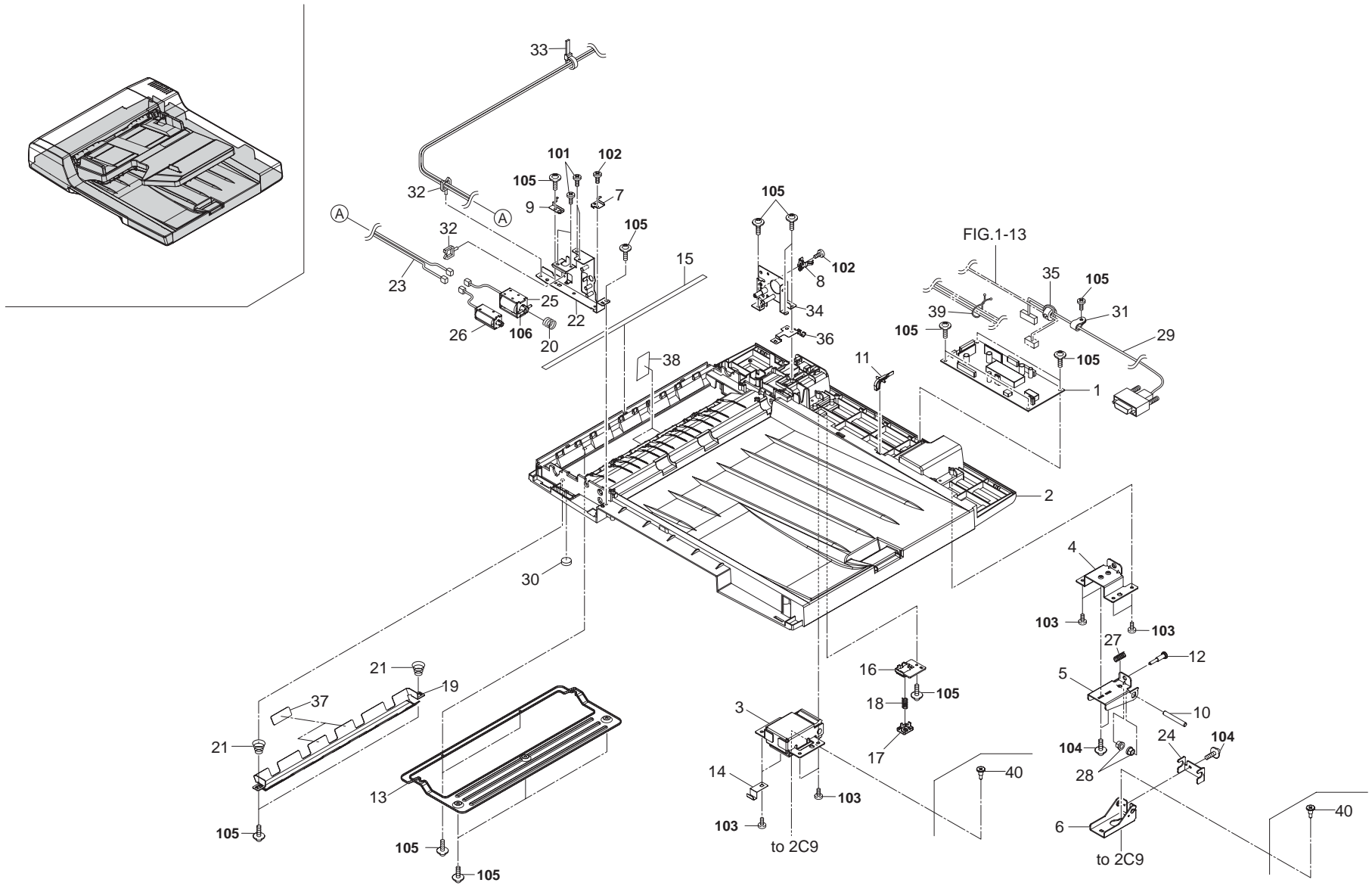


FIG. 2 Frames

3HL-3

SP	Ref. No.	Part.No.	Alternative.	Description	Quantity			
					110	120	230	240
⊙	1	303HL01014	3HL01014	MAIN PCB ASS'Y	1	1	1	1
⊙	2	3HL02010		BASE DP (1/4)	1	1	1	1
	3	3HL02020		LEFT HINGE	1	1	1	1
	4	3HL02050		ADJUSTING PLATE A HINGE	1	1	1	1
	5	3HL02060		ADJUSTING PLATE B HINGE	1	1	1	1
	6	3HL02070		RIGHT MOUNT BASE HINGE	1	1	1	1
	7	3HL02090		GROUND PLATE EJECT	1	1	1	1
	8	303HL02111	3HL02111	GROUND PLATE MOTOR	1	1	1	1
	9	3HL02120		GROUND PLATE CONVEYING	1	1	1	1
	10	303HL02131	3HL02131	SHAFT HINGE	1	1	1	1
⊙	11	3HL02140		ACTUATOR BASE	1	1	1	1
	12	303HL02171	3HL02171	PIN ADJUSTING	1	1	1	1
	13	3HL02190		BASE REINFORCEMENT	1	1	1	1
	14	3HL02200		GROUND PLATE BASE	1	1	1	1
	15	3HL02220		FILM BASE	1	1	1	1
	16	3HL02230		MOUNT PUSH SW	1	1	1	1
	17	3HL02240		PUSH SW DP	1	1	1	1
	18	3HL02250		SPRING,PUSH SWITCH	1	1	1	1
⊙	19	303HL08041	3HL08041	GUIDE READING	1	1	1	1
⊙	20	303HL10200	3HL10200	SPRING LOOP	1	1	1	1
	21	3HL08180		SPRING,READING	2	2	2	2
	22	303HL22011	3HL22011	FRONT FRAME CONVEYING	1	1	1	1
	23	3HL27050		CONN.CORD ASSY PCB-SOL	1	1	1	1
	24	3HL02150		ADJUSTING LIMITATION	1	1	1	1
⊙	25	303HL27121	3HL27121	SOLENOID,PRESSURE PULLEY	1	1	1	1
⊙	26	303HL27131	3HL27131	SOLENOID,FEED SHIFT	1	1	1	1
	27	3BR08040		SPRING,READING	1	1	1	1
⊙	28	3CY07080		BUSHING 6	2	2	2	2
⊙	29	3HK27020		CONN.CORD ASSY PCB-INTERFACE	1	1	1	1
	30	3HW02140		BASE LEG	1	1	1	1
	31	M2105030		NYLON CLAMP 5N,NK-5N	1	1	1	1
	32	M2105720		MINIATURE CLAMP,UAMS-05-2	2	2	2	2
	33	M2107120	49827700	BINDING BAND SG-130	1	1	1	1
	34	303HL22022	3HL22022	REAR FRAME CONVEYING	1	1	1	1
	35	2A627940		CORE 10-20X10	1	1	1	1
	36	3HL02260		GROUND PLATE DRIVE	1	1	1	1
⊙	37	303HL08330	3HL08330	FILM GUIDE READING	2	2	2	2
⊙	38	303HL08340	3HL08340	GUIDE PULLEY	2	2	2	2
	39	M21A7010		OMEGALOCK,OLS-115	1	1	1	1
	40	303HL02181	3HL02181	PIN DP	2	2	2	2

SP	Ref. No.	Part.No.	Alternative.	Description	Quantity			
					110	120	230	240
	101	B1B03040		+BIND SCREW M3X04(TRIVALENT CHROM				
	102	5MBTPB3006TW++R	B1A53060	BIND T.T SCREW(+) / M3 X 6 CRFREE S-T				
	103	5MBTPB4010PW++R	B1A64100	BIND T.T SCREW(+) / M4 X 10 CRFREE P-T				
	104	5MBSP43006NW++R	B4A03060	TP HEAD SCREW(+) / M3 X 6 DRFREE				
	105	BAA63080		+TP TAP-TITE P SCREW M3X08				
	106	E0030200		SPRING PIN 3X20				

• Parts with "⊙" indicates the spare parts.

FIG. 3 Paper Feed Section

3HL-3

SP	Ref. No.	Part.No.	Alternative.	Description	Quantity				SP	Ref. No.	Part.No.	Alternative.	Description	Quantity						
					110	120	230	240						110	120	230	240			
⊙	1	3HL01020		RELEASE SWITCH ASS'Y	1	1	1	1												
	2	3HL07010		FRONT FRAME PAPER FEED	1	1	1	1	⊙	52	3HL07380		BRAKE PF ROLLER	1	1	1	1			
	3	3HL07020		REAR FRAME PAPER FEED	1	1	1	1	⊙	53	3HK05040		FILM FRONT PAD	1	1	1	1			
	4	303HL07031	3HL07031	SHAFT LEADING FEED	1	1	1	1	⊙	54	3HL07411		LABEL ORIGINAL INDICATION	1	1	1	1			
	5	3HL07040		SHAFT PAPER FEED	1	1	1	1	⊙	55	3HL07421		WEIGHT PAD	1	1	1	1			
⊙	6	3HL07050		COVER PAPER FEED	1	1	1	1	⊙	56	3HL07400		TAPE WEIGHT	1	1	1	1			
	7	3HL07060		UPPER GUIDE PAPER FEED	1	1	1	1	⊙	57	3HL07400		COLLAR FEED	1	1	1	1			
	8	3HL07070		LOWER GUIDE PAPER FEED	1	1	1	1	⊙	58	3HK05020		LABEL CAUTION J	1	1	1	1			
	9	3HL07080		HOLDER LEADING FEED	1	1	1	1	⊙	59	3HL08290		FILM GUIDE BASE B	2	2	2	2			
⊙	10	3HL07091		HOLDER SEPARATION	1	1	1	1	⊙	60	3HL08320		GUIDE PAPER HOLD	2	2	2	2			
	11	3HL07100		PAD,SEPARATION	1	1	1	1	⊙	61	3HL08250		FILM GUIDE BASE	3	3	3	3			
⊙	12	3HL07110		SPRING,LIFT	1	1	1	1			3HK05030		LABEL CAUTION E	1	1	1	1			
	13	303HL07121	3HL07121	MOUNT PAPER FEED MOTOR	1	1	1	1												
	14	303HL07131	3HL07131	SHAFT REGISTRATION	1	1	1	1												
	15	3HL07140		STOPPER ORIGINAL	2	2	2	2												
⊙	16	3HL07150		ACTUATOR ORIGINAL SET	1	1	1	1												
⊙	17	303HL07161	3HL07161	FRONT HOOK PF COVER	1	1	1	1		101	B1B03040		+BIND SCREW M3X04(TRIVALENT CHROM							
⊙	18	3HL07170		REAR HOOK PF COVER	1	1	1	1		102	BAA63080		+TP TAP-TITE P SCREW M3X08							
	19	3HL07180		BOSS LIFT	1	1	1	1		103	C2895950		SHIM 6.2-1.0T							
⊙	20	3HL07190		BELT 150S2M,PAPER FEED	1	1	1	1		104	C2893960		SHIM 6.2-13-0.13T							
	21	303HL07201	3HL07201	SHAFT JAM REMOVENT	1	1	1	1		105	E0020080		SPRING PIN 2X8							
	22	3HL07210		DIAL JAM REMOVENT	1	1	1	1		106	5MBTPB3006TW++R	B1A53060	BIND T.T SCREW(+)/ M3 X 6 CRFREE S-T							
	23	3HL07220		SPRING SEPARATION	1	1	1	1												
⊙	24	303HL08350	3HL08350	FILM SUPPORT	5	5	5	5												
	25	3HL07240		SPRING HOOK	2	2	2	2												
⊙	26	3HL07250		GEAR 20 PF FEED	1	1	1	1												
	27	3HL07290		GUIDE PF	2	2	2	2												
⊙	28	3HL07300		FILM LEADING	1	1	1	1												
	29	3HL07310		SPRING REGISTRATION B	2	2	2	2												
	30	3HL07320		FILM GEAR COVER	1	1	1	1												
	31	3HL07340		GROUND PLATE PI	1	1	1	1												
⊙	32	3HL08080		PULLEY CONVEYING	5	5	5	5												
	33	3HL27020		CONN.CORD ASSY PCB-ORGSW	1	1	1	1												
	34	M2105720		MINIATURE CLAMP,UAMS-05-2	1	1	1	1												
⊙	35	303HL27101	3HL27101	MOTOR,PAPER FEED	1	1	1	1												
⊙	36	2A107060		FRICTION PLATE,CASSETTE	1	1	1	1												
⊙	37	5MVM176DN026	2A806030	BUSH FEED	3	3	3	3												
⊙	38	5MVX111DN003	2A806250	RING STOPPER	2	2	2	2												
⊙	39	2C927210		SENSOR 248NL1	1	1	1	1												
⊙	40	3A707110		GEAR 30,PAPER FEED	1	1	1	1												
⊙	41	3A707120		PULLEY,LEADING FEED	1	1	1	1												
⊙	42	3A722100		GEAR 42/29	1	1	1	1												
⊙	43	3BC07130		ONE-WAY CLUTCH 6	1	1	1	1												
⊙	44	3BR07040		PULLEY,PAPER FEED	1	1	1	1												
⊙	45	3CY07080		BUSHING 6	1	1	1	1												
⊙	46	3HL07390		PAD FRONT SEP	1	1	1	1												
⊙	47	36211110		PULLEY,LEADING FEED ADF	1	1	1	1												
⊙	48	36211500		GEAR,LEADING FEED JOINT	1	1	1	1												
⊙	49	68721640		PULLEY 20,DUPLEX CONVEYING	1	1	1	1												
⊙	50	3HL07450		CUSHION SEPARATION	1	1	1	1												

• Parts with "⊙" indicates the spare parts.

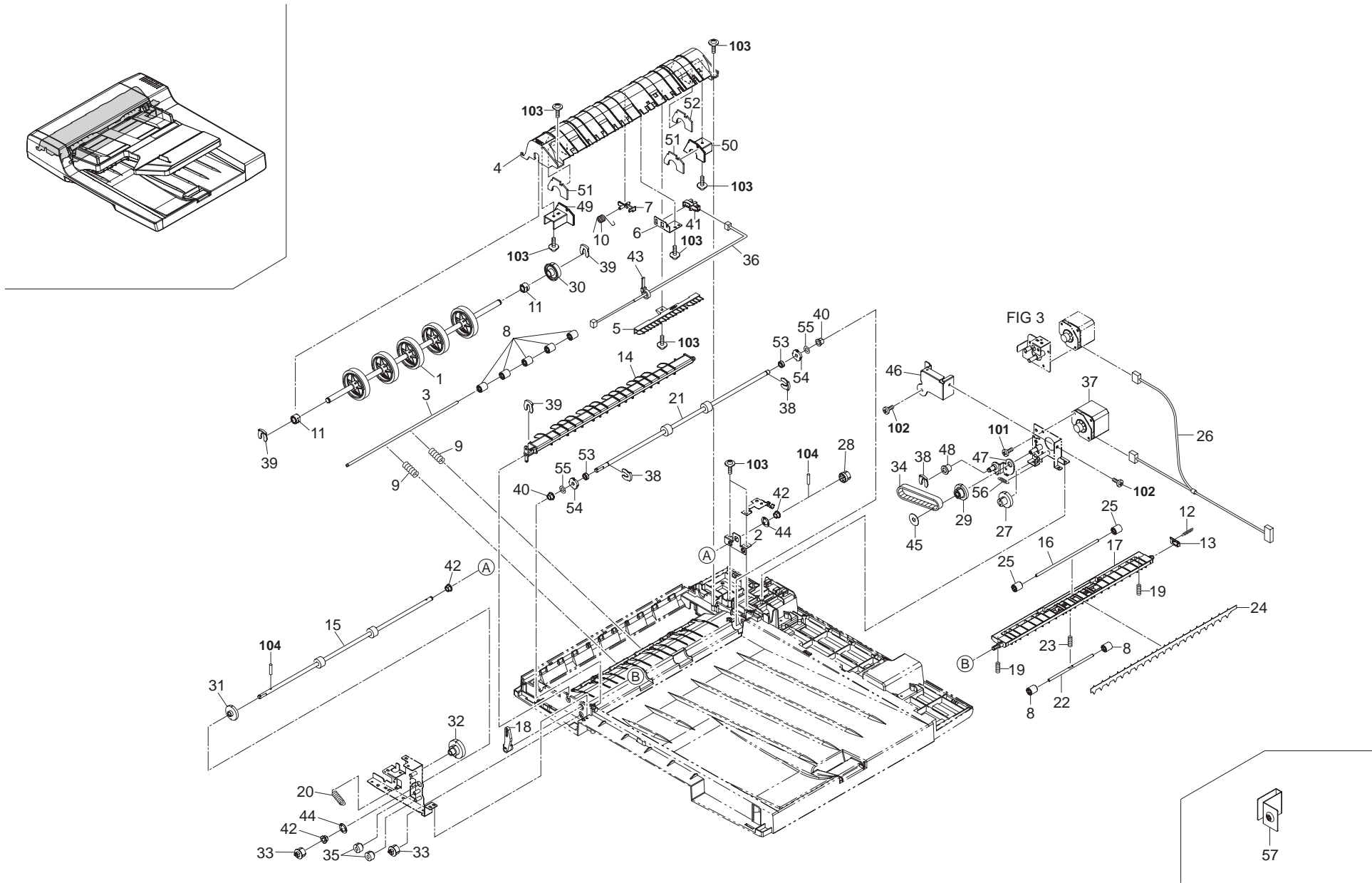


FIG. 4 Paper Conveying Section

3HL-3

SP	Ref. No.	Part.No.	Alternative.	Description	Quantity			
					110	120	230	240
⊙	1	3HL00010		CONVEYING ROLLER ASS'Y	1	1	1	1
	2	3HL02160		MOUNT GUIDE	1	1	1	1
	3	303HL07131	3HL07131	SHAFT REGISTRATION	1	1	1	1
	4	3HL08010		GUIDE CONVEYING	1	1	1	1
	5	3HL08020		GUIDE B CONVEYING	1	1	1	1
⊙	6	3HL08060		MOUNT PI	1	1	1	1
⊙	7	3HL08070		ACTUATOR CONVEYING TIMING	1	1	1	1
⊙	8	3HL08080		PULLEY CONVEYING	7	7	7	7
	9	3HL08090		SPRING,CONVEYING PULLEY	2	2	2	2
	10	3HL08130		SPRING,CONVEYING ACTUATOR	1	1	1	1
	11	3HL08140		BUSHING 8	2	2	2	2
	12	3HL10150		SPRING ,GND SE	1	1	1	1
	13	3HL10160		GROUND PLATE SE	1	1	1	1
	14	3HL10020		GUIDE LOOP FEED SHIFT	1	1	1	1
⊙	15	303HL10031	3HL10031	ROLLER LOOP	1	1	1	1
	16	303HL10041	3HL10041	SHAFT LOOP PULLEY	1	1	1	1
⊙	17	3HL10050		HOLDER LOOP PULLEY	1	1	1	1
⊙	18	3HL10060		LEVER LOOP PRESSURE	1	1	1	1
	19	3HL10070		SPRING,LOOP PRESSURE	2	2	2	2
	20	3HL10090		SPRING,LF SHIFT GUIDE	1	1	1	1
⊙	21	303HL10101	3HL10101	ROLLER EJECT	1	1	1	1
	22	303HL10111	3HL10111	SHAFT EJECT PULLEY	1	1	1	1
	23	3HL10120		SPRING,EJECT PULLEY	1	1	1	1
	24	3HL10130		STATIC ELIMINATOR EJECT	1	1	1	1
⊙	25	3HL10140		PULLEY LOOP	2	2	2	2
	26	3HL27040		CONN.CORD ASSY PCB-MOTOR	1	1	1	1
⊙	27	3HL22030		GEAR 49/13 IDLE	1	1	1	1
⊙	28	3HL22040		GEAR16 LOOP ROLLER	1	1	1	1
⊙	29	3HL22050		GEAR 24/30 PULLEY	1	1	1	1
⊙	30	3HL22060		PULLEY 40 CONVEYING	1	1	1	1
⊙	31	3HL22080		GEAR48 LOOP ROLLER	1	1	1	1
⊙	32	3HL22090		GEAR 30 JAM REMOVAL	1	1	1	1
⊙	33	3HL22100		GEAR 16 EJECT	2	2	2	2
⊙	34	3HL22190		BELT 180S2M	1	1	1	1
⊙	35	3HL22120		GEAR 15 IDLE	2	2	2	2
	36	3HL27030		CONN.CORD ASSY PCB-REGIST	1	1	1	1
⊙	37	303HL27101	3HL27101	MOTOR,PAPER FEED	1	1	1	1
⊙	38	5MVX111DN003	2A806250	RING STOPPER	3	3	3	3
⊙	39	2BC06910		STOPPER 6	3	3	3	3
	40	2BG22970		BUSH 6 EW	2	2	2	2
⊙	41	2C927210		SENSOR 248NL1	1	1	1	1
⊙	42	3CY07080		BUSHING 6	3	3	3	3
	43	M2607010		BINDING BAND,PLT1M	1	1	1	1
	44	303HL22200	3HL22200	PLATE GND	2	2	2	2
	45	3HL22130		SPACER BELT	1	1	1	1
	46	3HL22140		REAR FRAME SUPPORT	1	1	1	1
	47	303HL22171	3HL22171	TENSION PLATE DRIVE	1	1	1	1
	48	3HL22160		PULLEY REAR SUPPORT	1	1	1	1
	49	3HL08230		MOUNT BRAKE F	1	1	1	1
	50	3HL08240		MOUNT BRAKE R	1	1	1	1

SP	Ref. No.	Part.No.	Alternative.	Description	Quantity			
					110	120	230	240
	51	3HL08270		BRAKE CONV ROLLER A	2	2	2	2
	52	3HL08280		BRAKE CONV ROLLER B	1	1	1	1
	53	3HL10170		COLLAR EJECT	2	2	2	2
	54	3HL10180		SPONGE EJECT AUXILIARY	2	2	2	2
⊙	55	3HL10190		FILM EJECT	2	2	2	2
	56	3HL22180		SPRING DRIVE	1	1	1	1
	57	3HL04040		PROTECTING PLATE DP	1	1	1	1
	101	B1B03040		+BIND SCREW M3X04(TRIVALENT CHROM				
	102	5MBTPB3006TW++R	B1A53060	BIND T.T SCREW(+) / M3 X 6 CRFREE S-T				
	103	BAA63080		+TP TAP-TITE P SCREW M3X08				
	104	E0020080		SPRING PIN 2X8				

• Parts with "⊙" indicates the spare parts.

INDEX

3HL-3

SP	Part.No.	Alternative.	Description	Fig.No.	SP	Part.No.	Alternative.	Description	Fig.No.
⊙	2A107060		FRICION PLATE,CASSETTE	3		3HL02060		ADJUSTING PLATE B HINGE	2
	2A627940		CORE 10-20X10	2		3HL02070		RIGHT MOUNT BASE HINGE	2
⊙	2BC06910		STOPPER 6	4		3HL02090		GROUND PLATE EJECT	2
	2BG22970		BUSH 6 EW	4		3HL02120		GROUND PLATE CONVEYING	2
⊙	2C901050		PCB MPF SIZE ASSY	1	⊙	3HL02140		ACTUATOR BASE	2
⊙	2C927210		SENSOR 248NL1	1,3,4		3HL02150		ADJUSTING LIMITATION	2
⊙	303HL01014	3HL01014	MAIN PCB ASS'Y	2		3HL02160		MOUNT GUIDE	4
	303HL02111	3HL02111	GROUND PLATE MOTOR	2		3HL02190		BASE REINFORCEMENT	2
	303HL02131	3HL02131	SHAFT HINGE	2		3HL02200		GROUND PLATE BASE	2
	303HL02171	3HL02171	PIN ADJUSTING	2		3HL02220		FILM BASE	2
	303HL02181	3HL02181	PIN DP	2		3HL02230		MOUNT PUSH SW	2
	303HL07031	3HL07031	SHAFT LEADING FEED	3		3HL02240		PUSH SW DP	2
	303HL07121	3HL07121	MOUNT PAPER FEED MOTOR	3		3HL02250		SPRING,PUSH SWITCH	2
	303HL07131	3HL07131	SHAFT REGISTRATION	3,4		3HL02260		GROUND PLATE DRIVE	2
⊙	303HL07161	3HL07161	FRONT HOOK PF COVER	3	⊙	3HL02280		MAT ORIGINAL HOLDER	1
	303HL07201	3HL07201	SHAFT JAM REMOVAL	3	⊙	3HL04010		FRONT COVER	1
⊙	303HL08041	3HL08041	GUIDE READING	2	⊙	3HL04020		REAR COVER	1
⊙	303HL08330	3HL08330	FILM GUIDE READING	2	⊙	3HL04030		STOPPER EJECT ORIGINAL	1
⊙	303HL08340	3HL08340	GUIDE PULLEY	2		3HL04040		PROTECTING PLATE DP	4
⊙	303HL08350	3HL08350	FILM SUPPORT	3		3HL05020		LABEL,ORIGINAL SET	1
⊙	303HL10031	3HL10031	ROLLER LOOP	4		3HL05030		LABEL,ORIGINAL CURSOR	1
	303HL10041	3HL10041	SHAFT LOOP PULLEY	4		3HL05040		LABEL,HINGE CAUTION	1
⊙	303HL10101	3HL10101	ROLLER EJECT	4		3HL05050		LABEL,JAM REMOVAL	1
	303HL10111	3HL10111	SHAFT EJECT PULLEY	4	⊙	3HL06010		TABLE ORIGINAL	1
⊙	303HL10200	3HL10200	SPRING LOOP	2	⊙	3HL06020		COVER TABLE	1
	303HL22011	3HL22011	FRONT FRAME CONVEYING	2	⊙	3HL06030		FRONT CURSOR TABLE	1
	303HL22022	3HL22022	REAR FRAME CONVEYING	2	⊙	3HL06040		REAR CURSOR TABLE	1
	303HL22171	3HL22171	TENSION PLATE DRIVE	4	⊙	3HL06050		RACK TABLE	1
	303HL22200	3HL22200	PLATE GND	4	⊙	3HL06060		ACTUATOR SIZE DETECTION	1
⊙	303HL27101	3HL27101	MOTOR,PAPER FEED	3,4	⊙	3HL06070		ACTUATOR LOOP SWITCH	1
⊙	303HL27121	3HL27121	SOLENOID,PRESSURE PULLEY	2		3HL06080		FILM TABLE PI	1
⊙	303HL27131	3HL27131	SOLENOID,FEED SHIFT	2		3HL06090		CUSHION CURSOR	1
⊙	36211110		PULLEY,LEADING FEED ADF	3		3HL06110		TERMINAL PAPER SIZE	1
⊙	36211500		GEAR,LEADING FEED JOINT	3		3HL06120		SPACER CURSOR	1
⊙	3A707110		GEAR 30,PAPER FEED	3	⊙	3HL06130		FILM ACTUATOR	1
⊙	3A707120		PULLEY,LEADING FEED	3	⊙	3HL06140		CUSHION ACTUATOR	1
⊙	3A722100		GEAR 42/29	3		3HL07010		FRONT FRAME PAPER FEED	3
⊙	3BC07130		ONE-WAY CLUTCH 6	3		3HL07020		REAR FRAME PAPER FEED	3
⊙	3BR07040		PULLEY,PAPER FEED	3	⊙	3HL07040		SHAFT PAPER FEED	3
	3BR08040		SPRING,READING	2		3HL07050		COVER PAPER FEED	3
⊙	3CY07080		BUSHING 6	2,3,4		3HL07060		UPPER GUIDE PAPER FEED	3
⊙	3HK05020		LABEL CAUTION J	3		3HL07070		LOWER GUIDE PAPER FEED	3
⊙	3HK05030		LABEL CAUTION E	3		3HL07080		HOLDER LEADING FEED	3
⊙	3HK05040		LABEL ORIGINAL INDICATION	3	⊙	3HL07091		HOLDER SEPARATION	3
⊙	3HK27020		CONN.CORD ASSY PCB-INTERFACE	2		3HL07100		PAD,SEPARATION	3
⊙	3HL00010		CONVEYING ROLLER ASS'Y	4	⊙	3HL07110		SPRING,LIFT	3
⊙	3HL01020		RELEASE SWITCH ASSY	3		3HL07140		STOPPER ORIGINAL	3
⊙	3HL02010		BASE DP (1/4)	2	⊙	3HL07150		ACTUATOR ORIGINAL SET	3
	3HL02020		LEFT HINGE	2	⊙	3HL07170		REAR HOOK PF COVER	3
	3HL02050		ADJUSTING PLATE A HINGE	2		3HL07180		BOSS LIFT	3

• Parts with "⊙" indicates the spare parts.

SP	Part.No.	Alternative.	Description	Fig.No.	SP	Part.No.	Alternative.	Description	Fig.No.
⊙	3HL07190		BELT 150S2M,PAPER FEED	3	⊙	3HL22060		PULLEY 40 CONVEYING	4
	3HL07210		DIAL JAM REMOVAL	3	⊙	3HL22080		GEAR48 LOOP ROLLER	4
	3HL07220		SPRING SEPARATION	3	⊙	3HL22090		GEAR 30 JAM REMOVAL	4
	3HL07240		SPRING HOOK	3	⊙	3HL22100		GEAR 16 EJECT	4
⊙	3HL07250		GEAR 20 PF FEED	3	⊙	3HL22120		GEAR 15 IDLE	4
	3HL07290		GUIDE PF	3		3HL22130		SPACER BELT	4
⊙	3HL07300		FILM LEADING	3		3HL22140		REAR FRAME SUPPORT	4
	3HL07310		SPRING REGISTRATION B	3		3HL22160		PULLEY REAR SUPPORT	4
	3HL07320		FILM GEAR COVER	3		3HL22180		SPRING DRIVE	4
	3HL07340		GROUND PLATE PI	3	⊙	3HL22190		BELT 180S2M	4
	3HL07370		BRAKE PF ROLLER	3		3HL27010		CONN.CORD ASSY PCB-TABLE	1
⊙	3HL07380		FILM FRONT PAD	3		3HL27020		CONN.CORD ASSY PCB-ORGSW	3
⊙	3HL07390		PAD FRONT SEP	3		3HL27030		CONN.CORD ASSY PCB-REGIST	4
	3HL07400		COLLAR FEED	3		3HL27040		CONN.CORD ASSY PCB-MOTOR	4
⊙	3HL07411		WEIGHT PAD	3		3HL27050		CONN.CORD ASSY PCB-SOL	2
⊙	3HL07421		TAPE WEIGHT	3		3HW02140		BASE LEG	2
⊙	3HL07450		CUSHION SEPARATION	3	⊙	5MVM176DN026	2A806030	BUSH FEED	3
	3HL08010		GUIDE CONVEYING	4	⊙	5MVX111DN003	2A806250	RING STOPPER	3,4
	3HL08020		GUIDE B CONVEYING	4	⊙	65907210		GEAR 20,CASSETTE	1
⊙	3HL08060		MOUNT PI	4	⊙	68721640		PULLEY 20,DUPLEX CONVEYING	3
⊙	3HL08070		ACTUATOR CONVEYING TIMING	4		M2105030		NYLON CLAMP 5N,NK-5N	2
⊙	3HL08080		PULLEY CONVEYING	3,4		M2105720		MINIATURE CLAMP,UAMS-05-2	2,3
	3HL08090		SPRING,CONVEYING PULLEY	4		M2107120	49827700	BINDING BAND SG-130	2
	3HL08130		SPRING,CONVEYING ACTUATOR	4		M21A7010		OMEGALOCK,OLS-115	2
	3HL08140		BUSHING 8	4		M2607010		BINDING BAND,PLT1M	4
	3HL08180		SPRING,READING	2					
	3HL08230		MOUNT BRAKE F	4					
	3HL08240		MOUNT BRAKE R	4					
	3HL08250		FILM GUIDE BASE	3					
	3HL08270		BRAKE CONV ROLLER A	4					
	3HL08280		BRAKE CONV ROLLER B	4					
	3HL08290		FILM GUIDE BASE B	3					
	3HL08320		GUIDE PAPER HOLD	3					
⊙	3HL10010		TRAY LOOP	1					
	3HL10020		GUIDE LOOP FEED SHIFT	4					
	3HL10050		HOLDER LOOP PULLEY	4					
⊙	3HL10060		LEVER LOOP PRESSURE	4					
	3HL10070		SPRING,LOOP PRESSURE	4					
	3HL10090		SPRING,LF SHIFT GUIDE	4					
	3HL10120		SPRING,EJECT PULLEY	4					
	3HL10130		STATIC ELIMINATOR EJECT	4					
⊙	3HL10140		PULLEY LOOP	4					
	3HL10150		SPRING, GND SE	4					
	3HL10160		GROUND PLATE SE	4					
	3HL10170		COLLAR EJECT	4					
	3HL10180		SPONGE EJECT AUXILIARY	4					
⊙	3HL10190		FILM EJECT	4					
⊙	3HL22030		GEAR 49/13 IDLE	4					
⊙	3HL22040		GEAR16 LOOP ROLLER	4					
⊙	3HL22050		GEAR 24/30 PULLEY	4					

• Parts with "⊙" indicates the spare parts.